

SOD IMM

JETSON

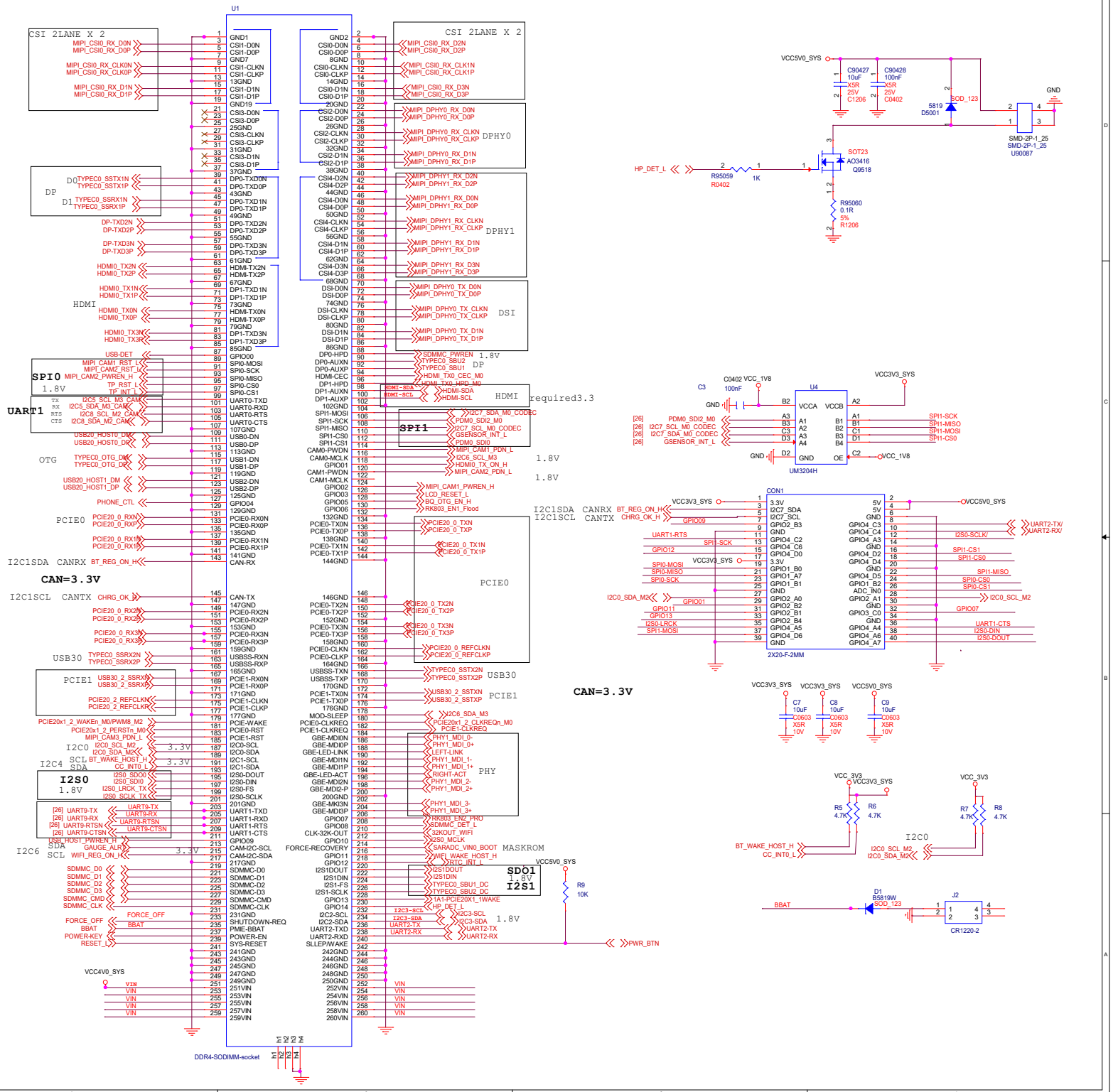
PCIe CLT=3.3V

CAM-I2C=3.3V

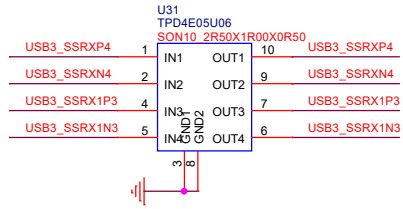
I2C0,1=3.3V

CAN=3.3V

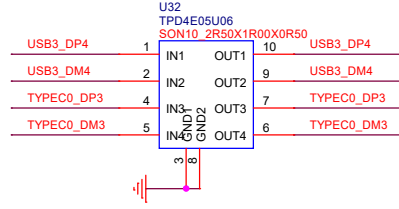
OTHER GPIO = 1.8V



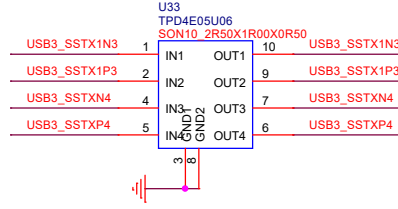
ESD



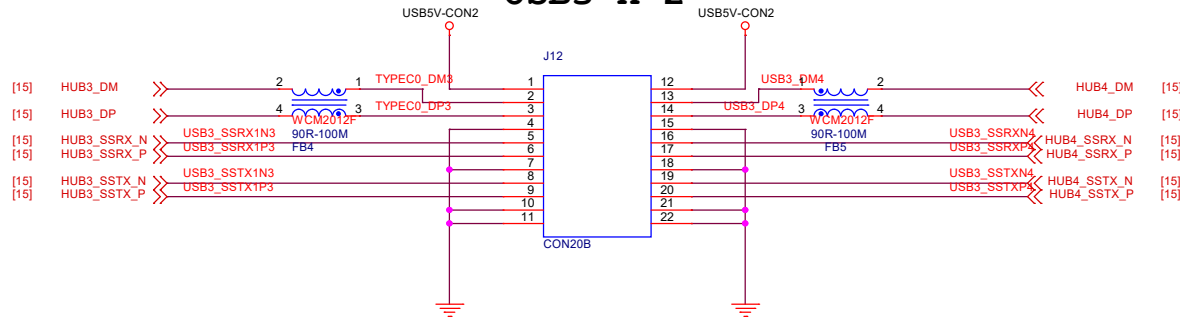
ESD



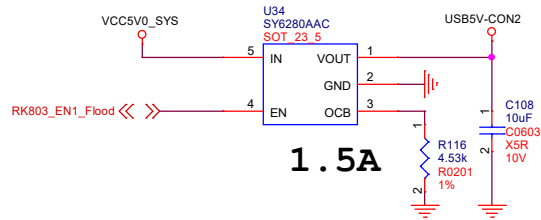
ESD

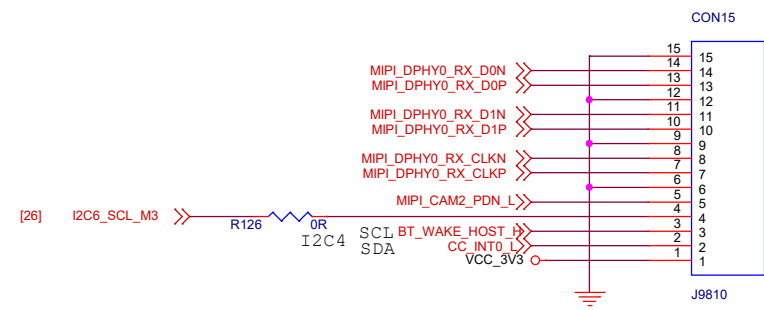
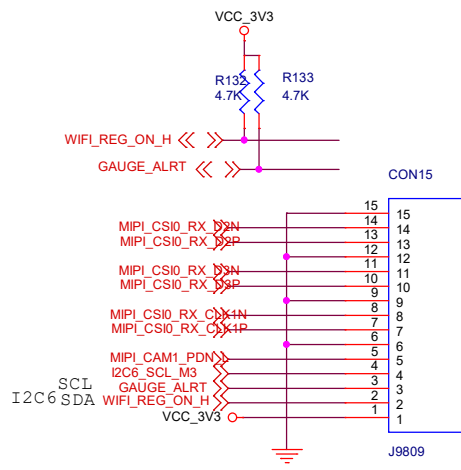


USB3 X 2

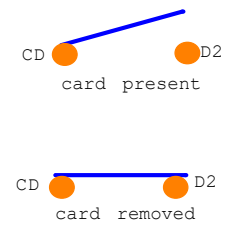
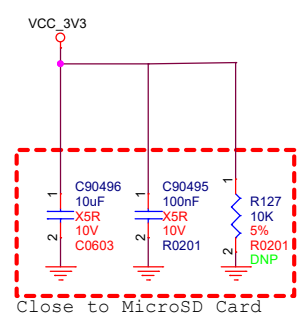
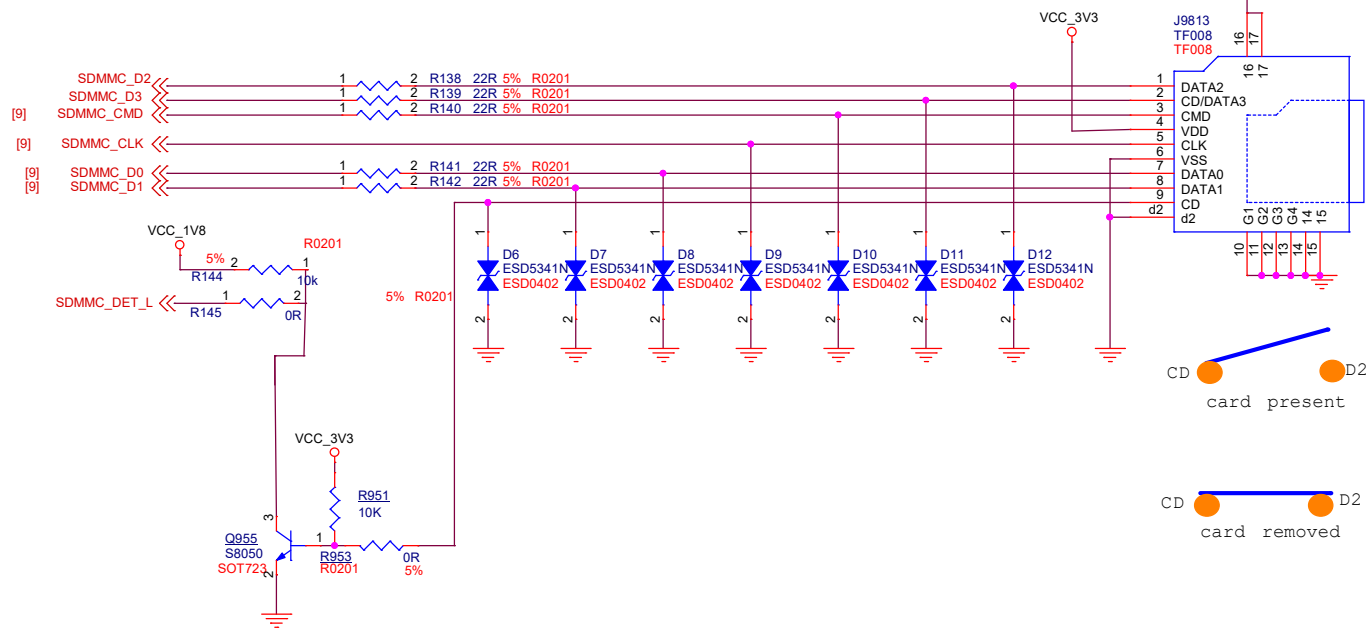


USB3.0-2

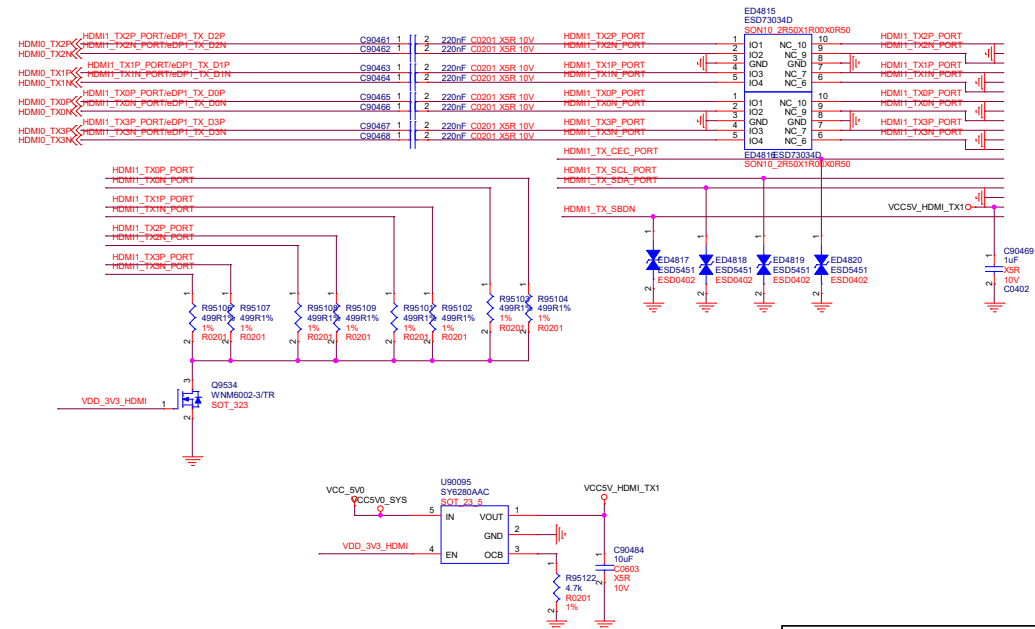
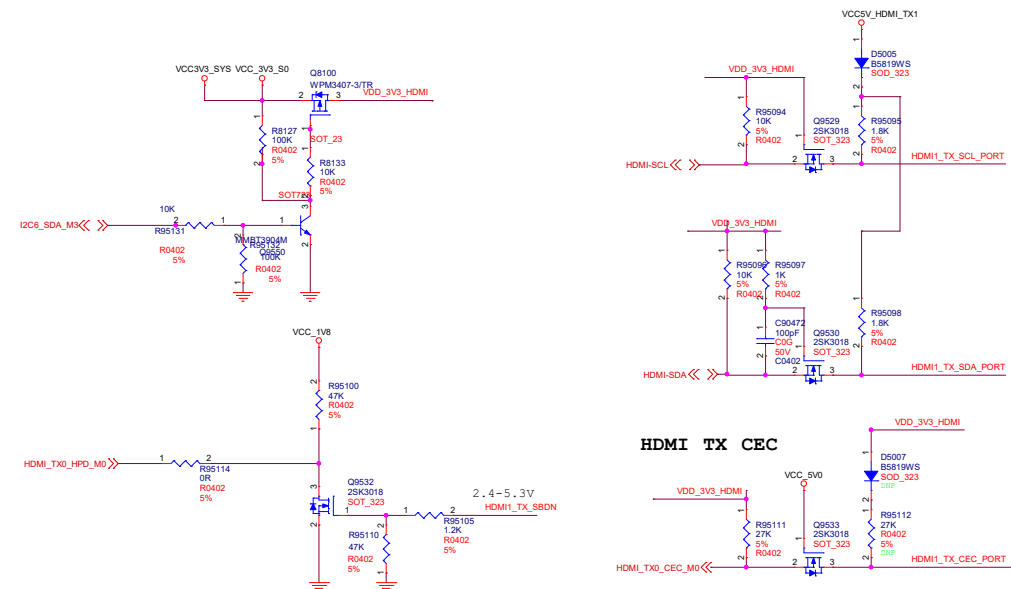
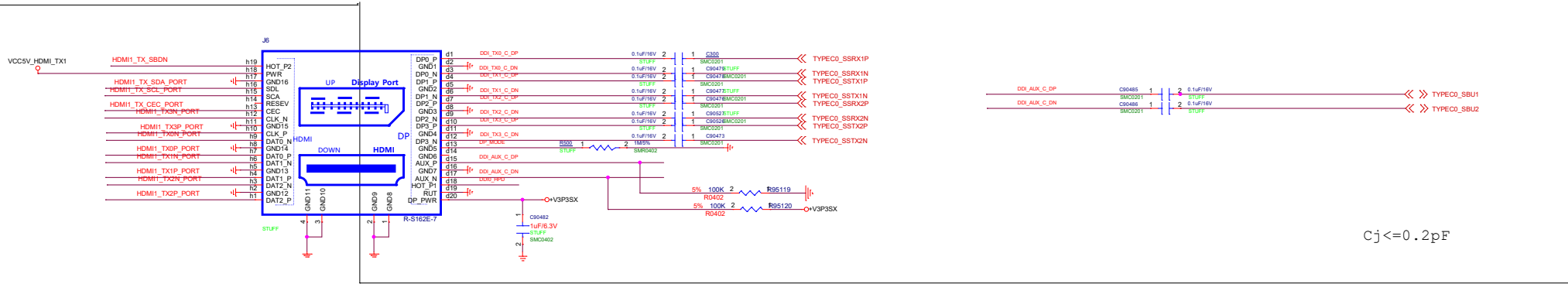
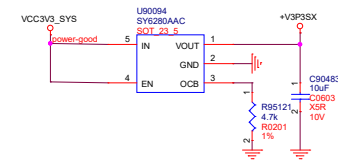
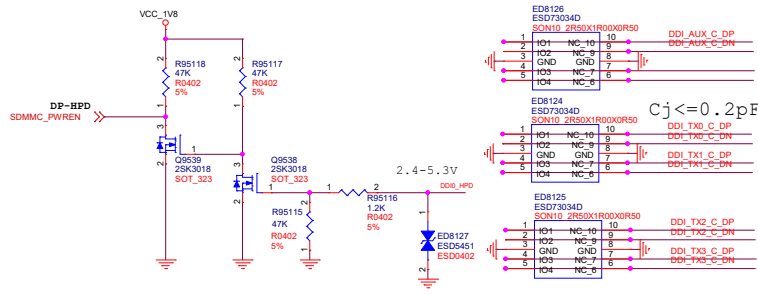




[9]

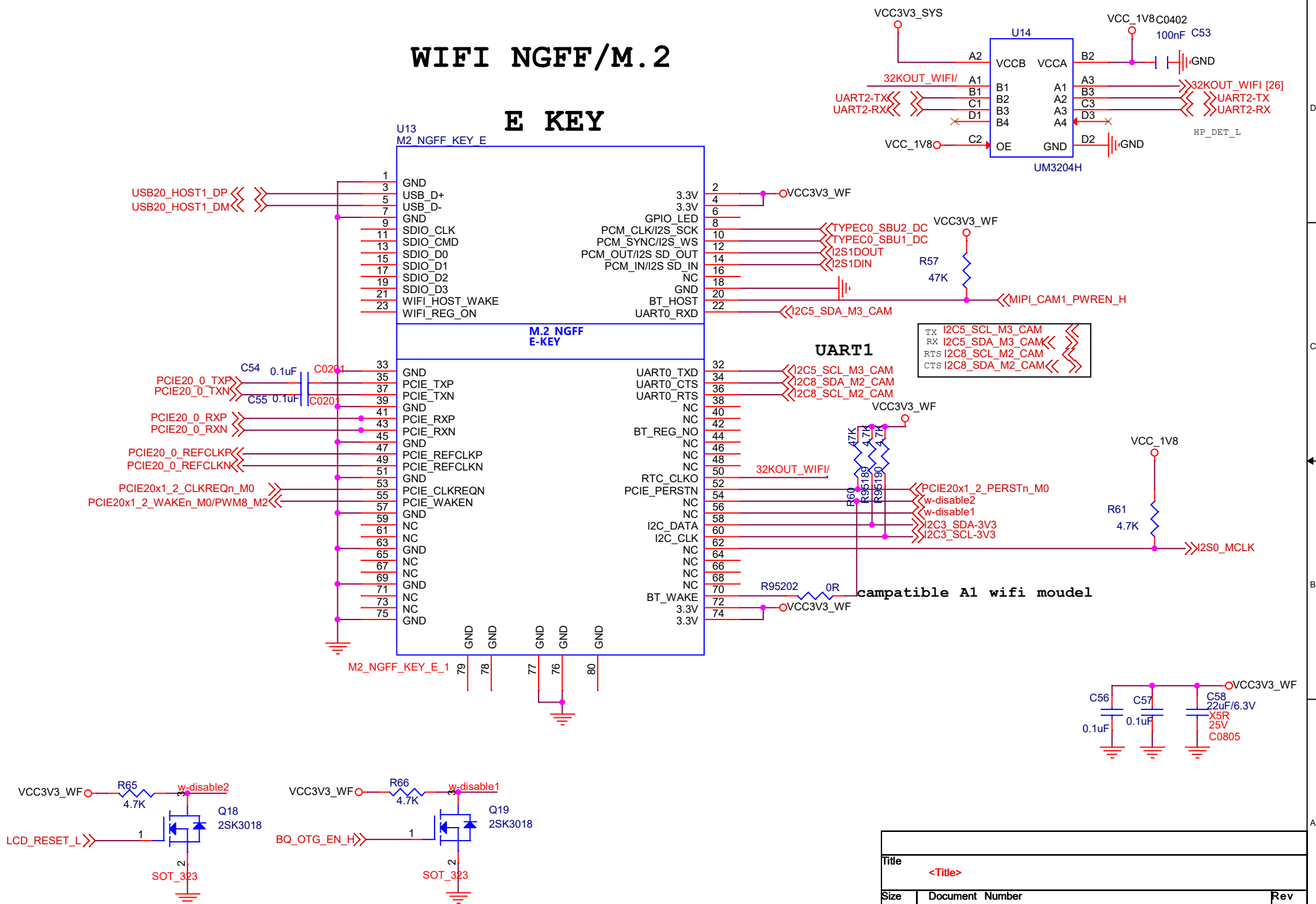


Title		
<Title>		
Size	Document Number	Rev
B	<Doc>	<RevCode>
Date:	Tuesday, November 08, 2022	Sheet 1 of 12

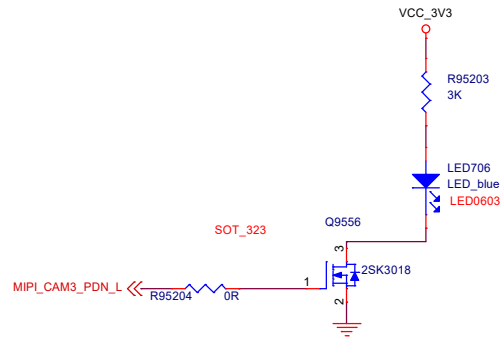


WIFI NGFF/M.2

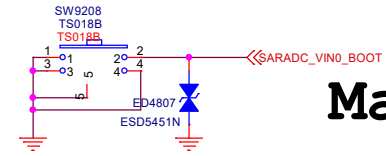
E KEY



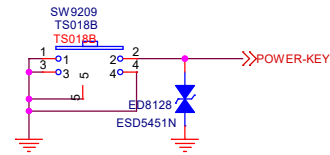
Title		
<Title>		
Size	Document Number	Rev
A4	<Doc>	<RevC>
Date	Tuesday, November 08, 2022	Sheet 5 of 12



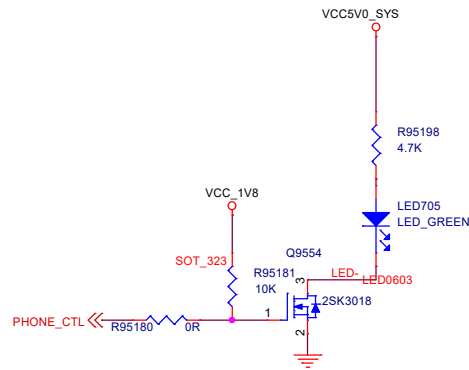
LED_BLUE



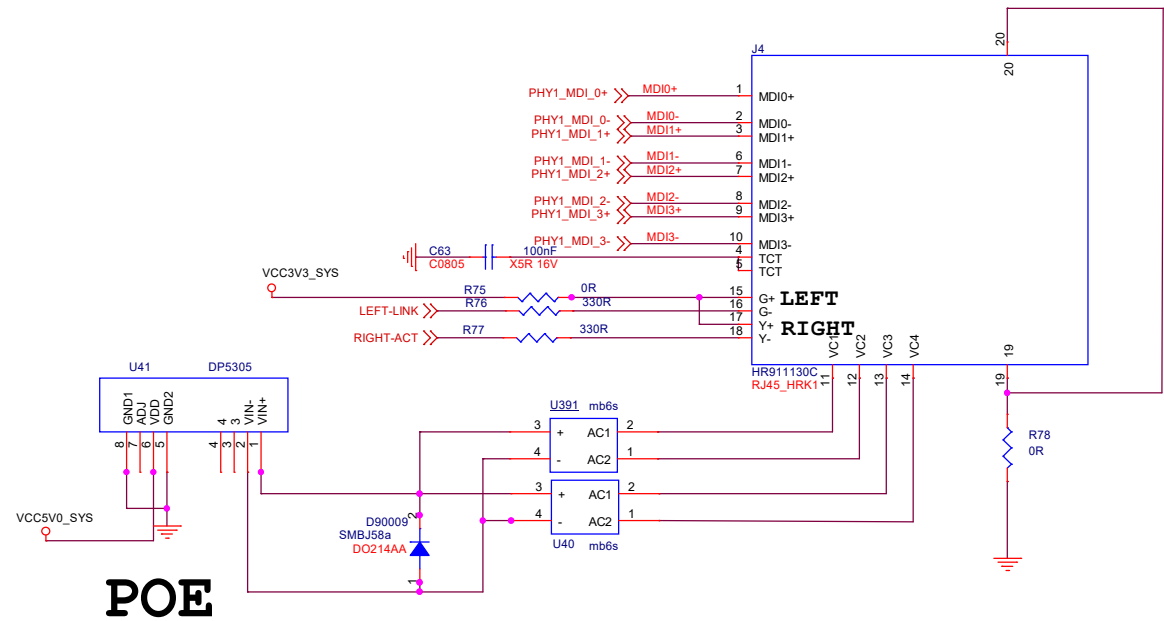
Maskrom



on/off

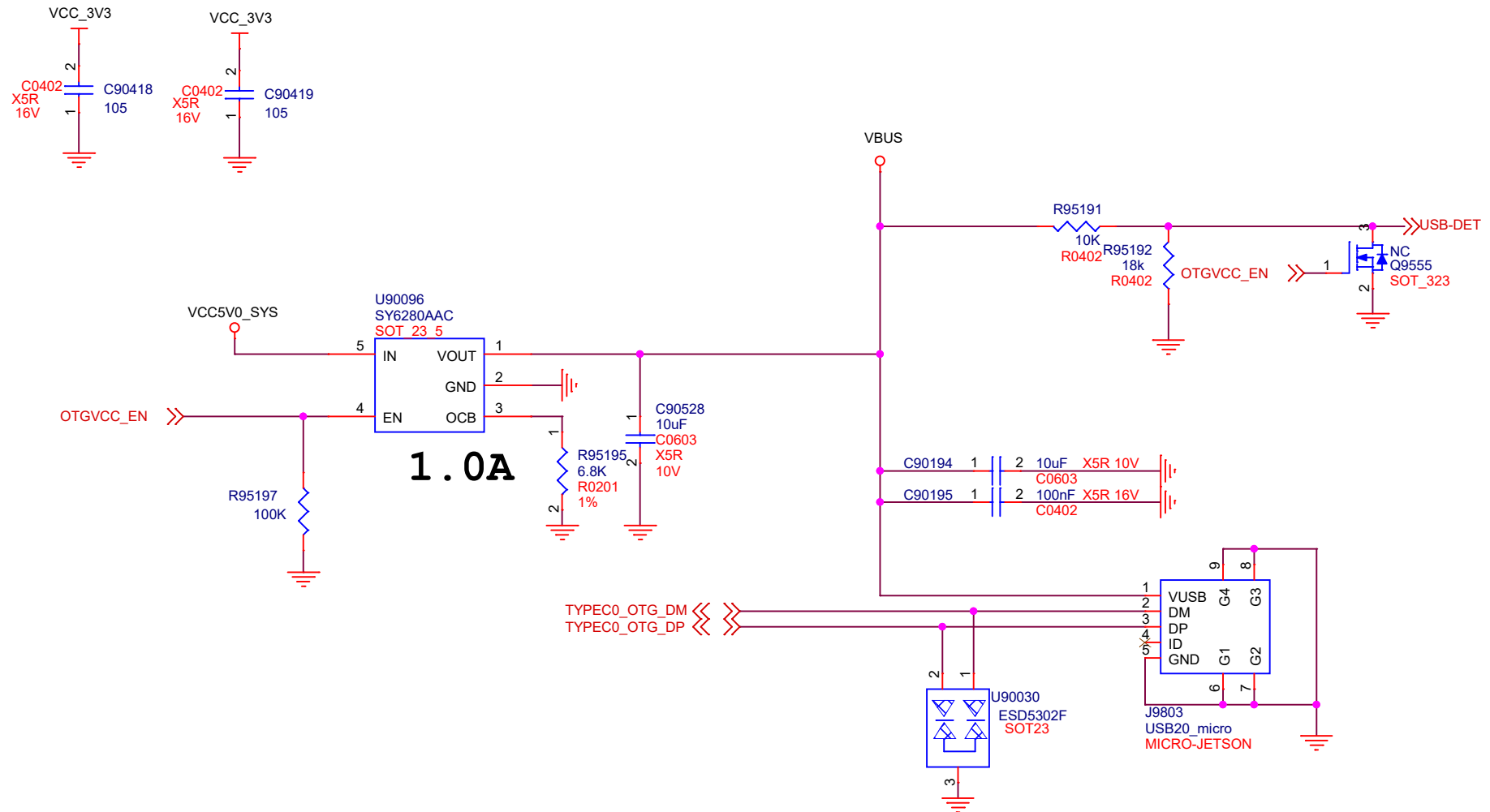


LED_GREEN



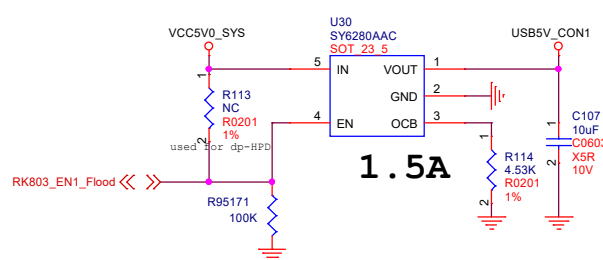
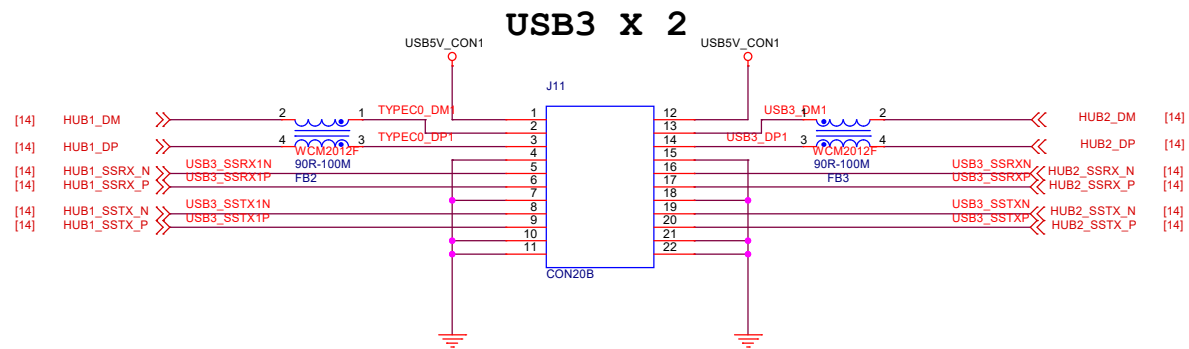
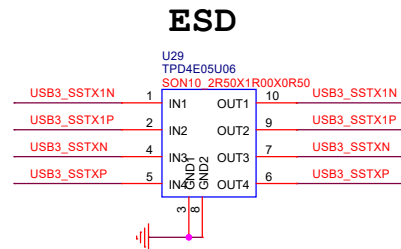
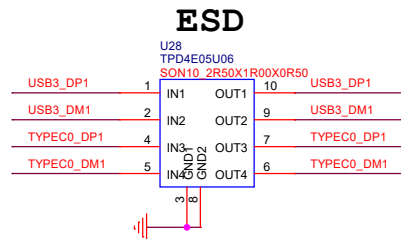
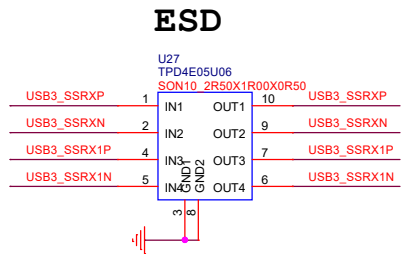
POE

Title	<Title>	Rev	<Rev Code>
Size	A3	Document Number	<Doc>
Date:	Tuesday, November 08, 2022	Sheet	6 of 12



1.0A

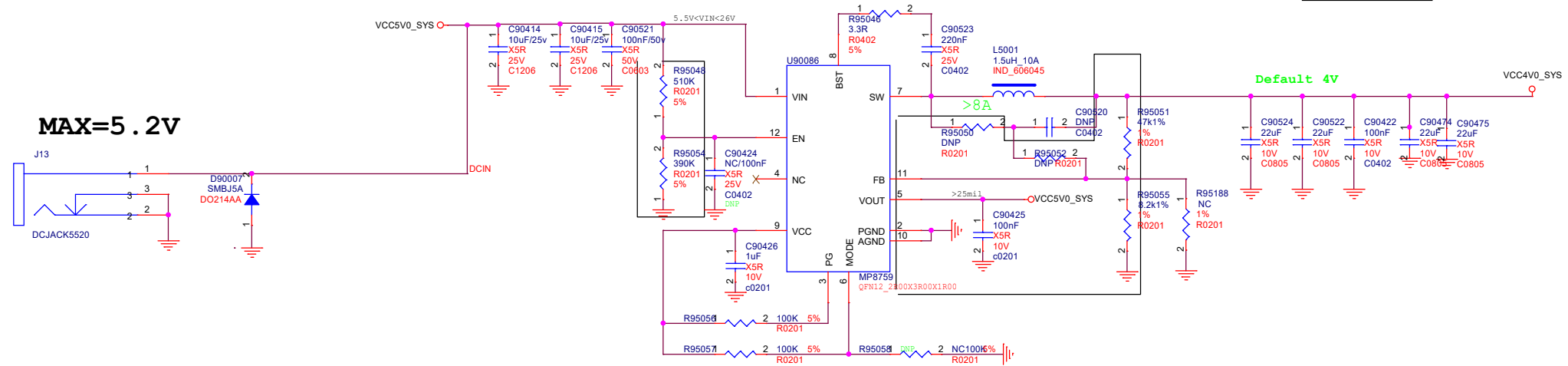
Title		
<Title>		
Size	Document Number	Rev
A4	<Doc>	<RevC>
Date:	Tuesday, November 08, 2022	Sheet 7 of 12



DC IN&SYSTEM Power

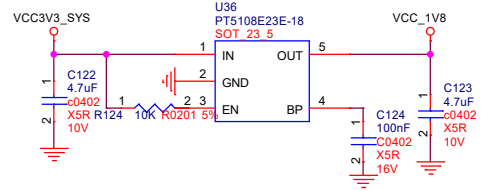
VCC5V0_SYS → USB
 VCC5V0_SYS → MP8759 DCDC 4.039V → MOUDEL

MAX=5.2V

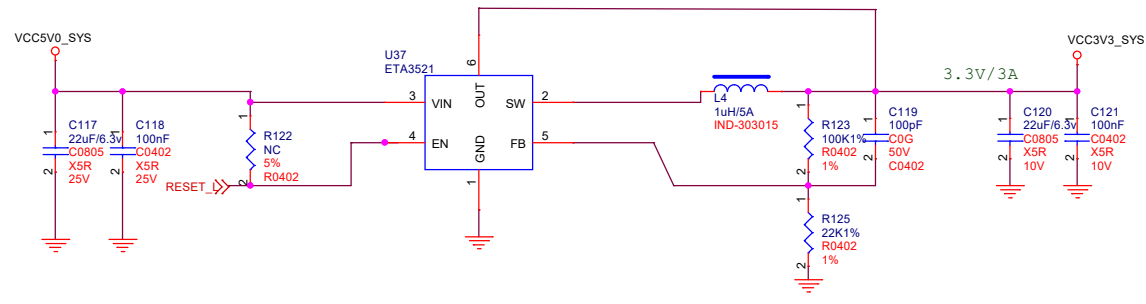
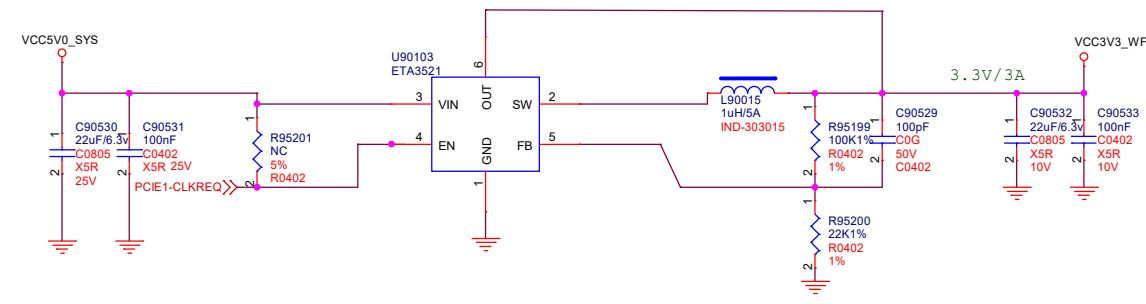


300MA

MAX=4A



MAX=4A



Title			
<Title>			
Size	Document	Number	Rev
A3	<Doc>		<RevCode>
Date:	Tuesday, November 08, 2022	Sheet	12 of 12