



Radxa ROCK S0

schematic

V1.2

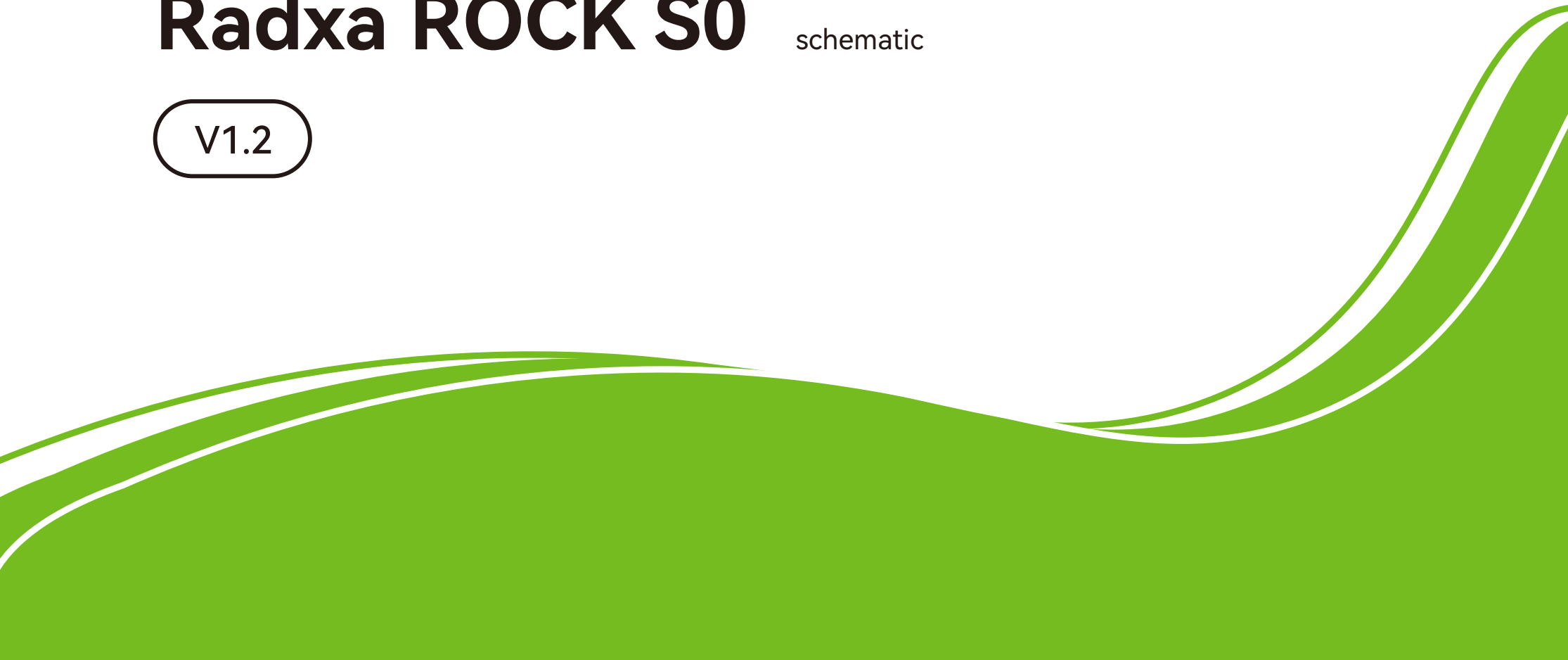


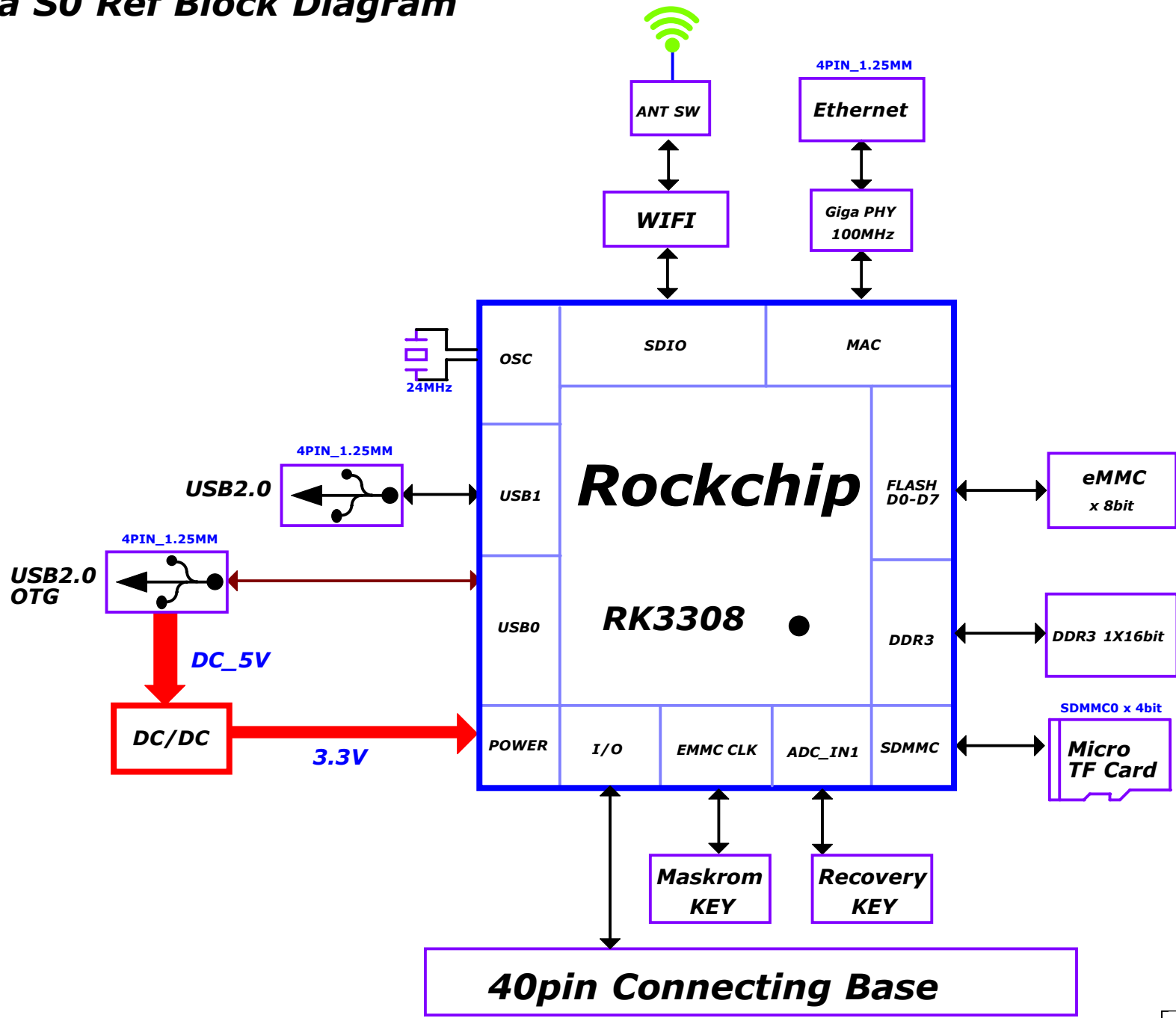
Table of Content

- 01.cover
- 02.Index
- 03.Block Diagram
- 04.RK3308 DDR Controller/GND
- 05.RK3308 LCD/DC/MAC/I2S1/USB/ADC
- 06.RK3308 SDIO/SDMMC/UART
- 07.RK3308 GPIO/I2S0/PDM/SPDIF
- 08.DDR3 1x16bit
- 09.EMMC Flash
- 10.100MHz PHY
- 11.WIFI MODULE
- 12.TF Card/40PIN
- 13.Discrete Power
- 14.USB/POWER IN/LED

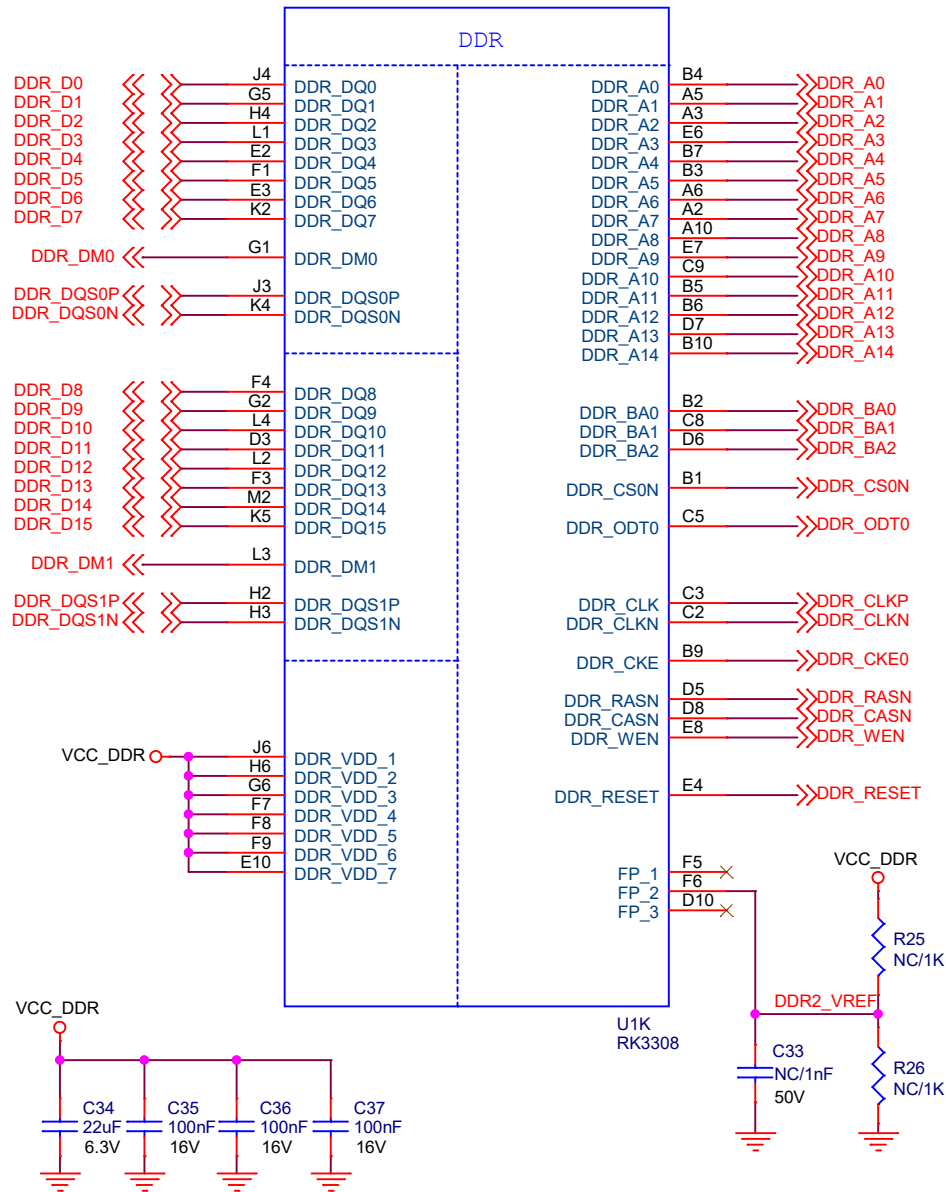


Size	Title: Radxa S0	REV
A4	Page Name: Index	1.2
Date: Friday, December 29, 2023	Sheet 02 of 14	

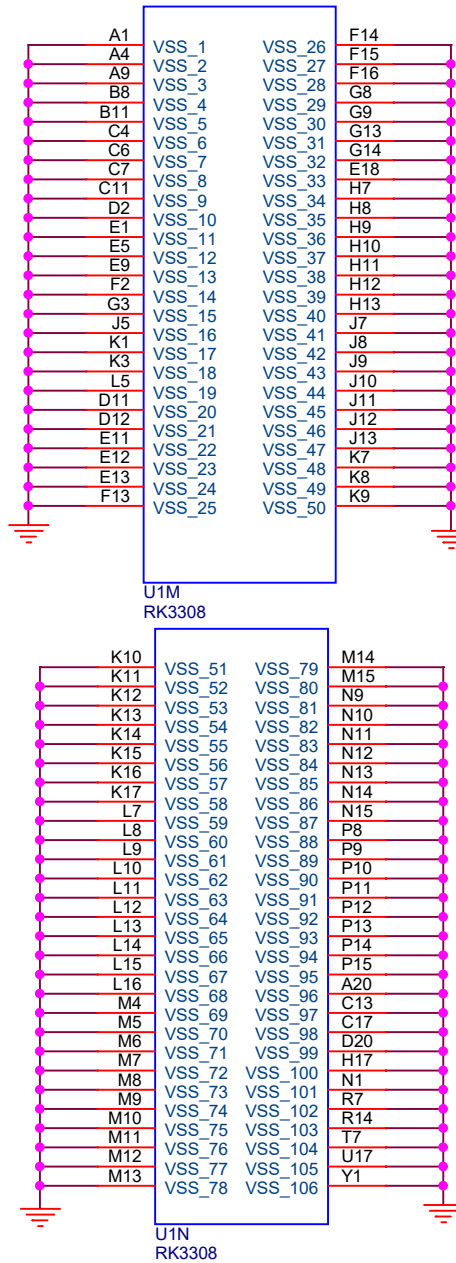
Radxa S0 Ref Block Diagram



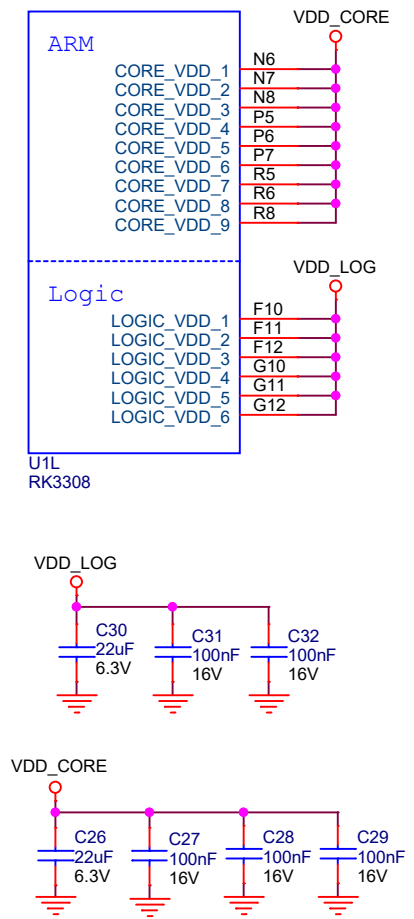
RK3308 Part-K



RK3308 Part-N

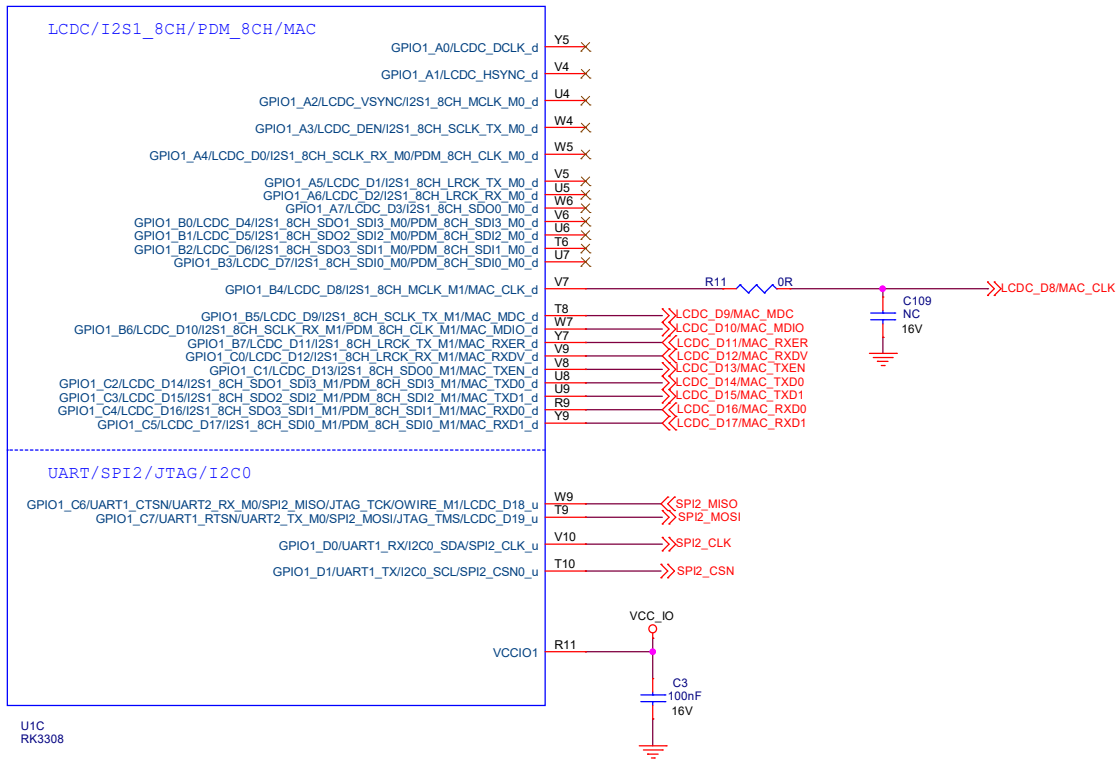


RK3308 Part-L

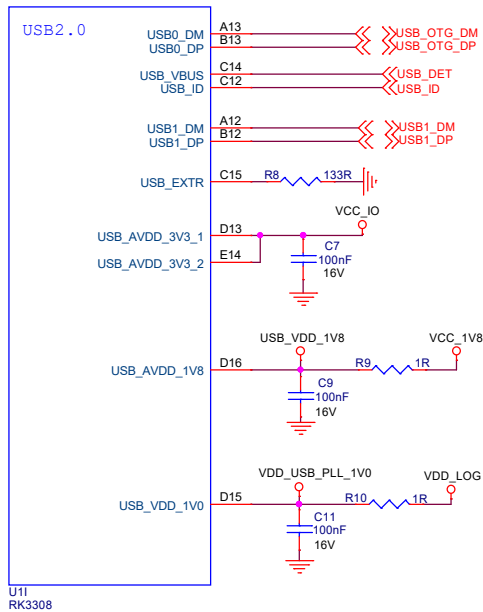


Size	Title: Radxa S0	REV
A4	Page Name: RK3308 DDR Controller/GND	1.2
Date: Friday, December 29, 2023		Sheet 04 of 14

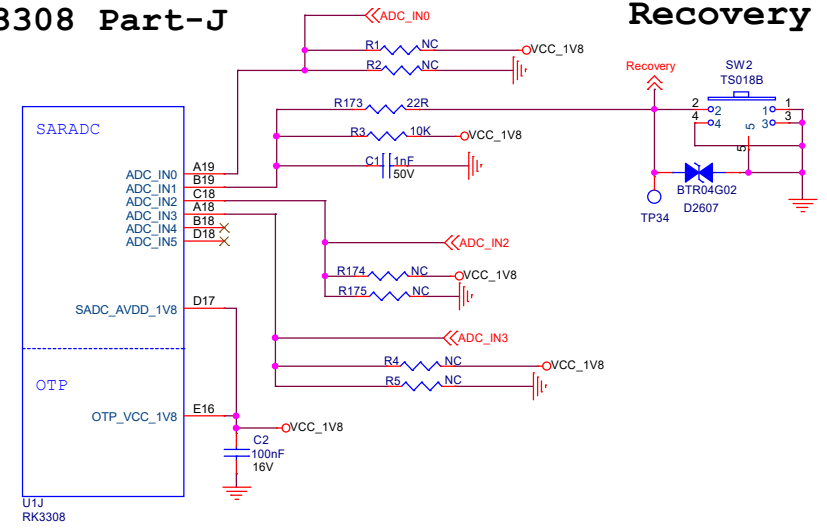
RK3308 Part-C



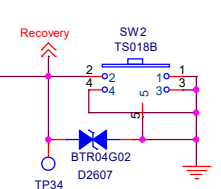
RK3308 Part-I



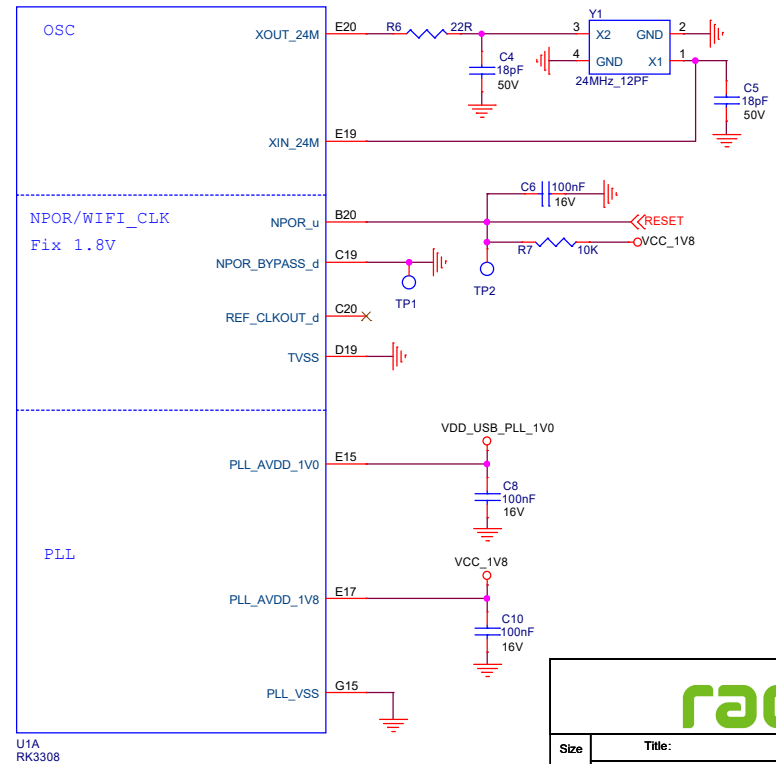
RK3308 Part-J



Recovery

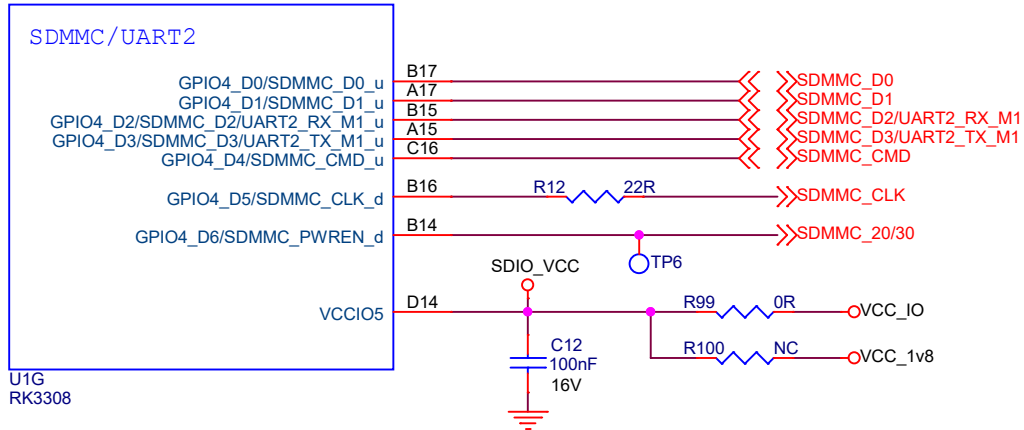


RK3308 Part-A

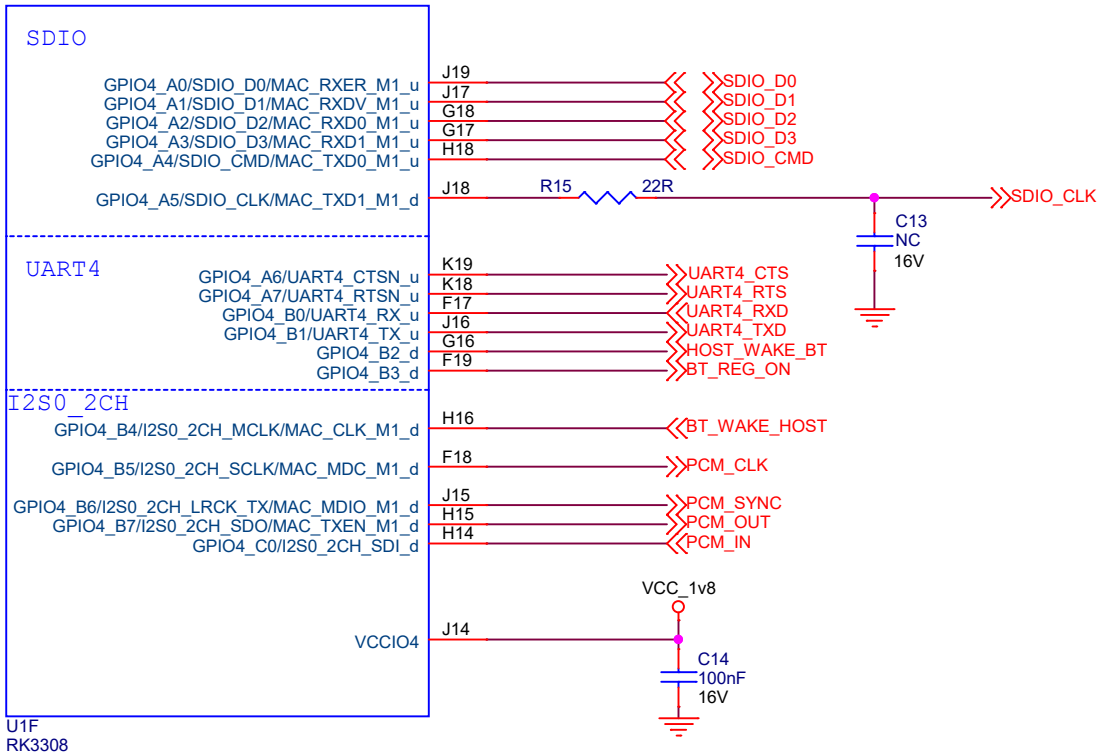


Size	Title: Radxa S0	REV
A3	Page Name: RK3308 LCDC/MAC/I2S1/USB/ADC	1.2
Date: Friday, December 29, 2023	Sheet 05 of 14	

RK3308 Part-G

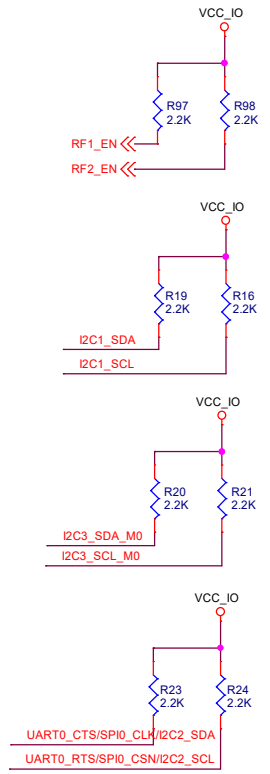
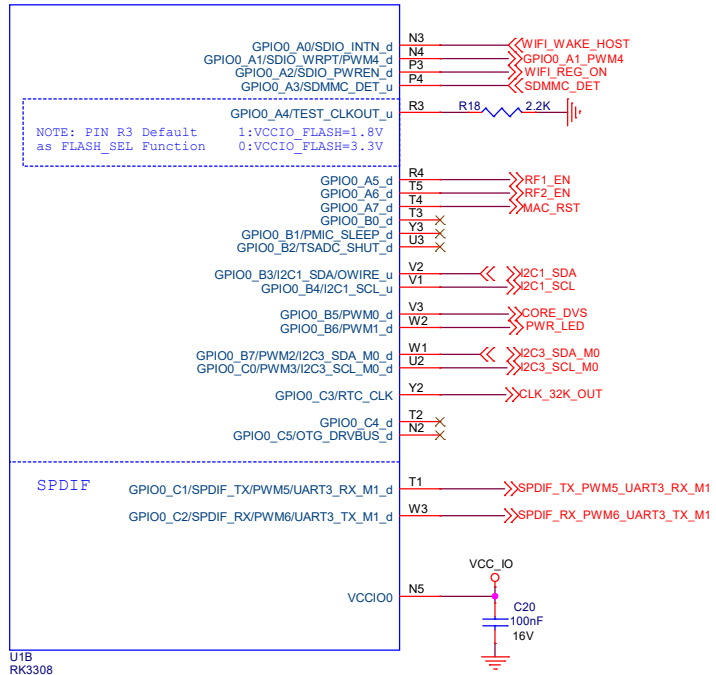


RK3308 Part-F

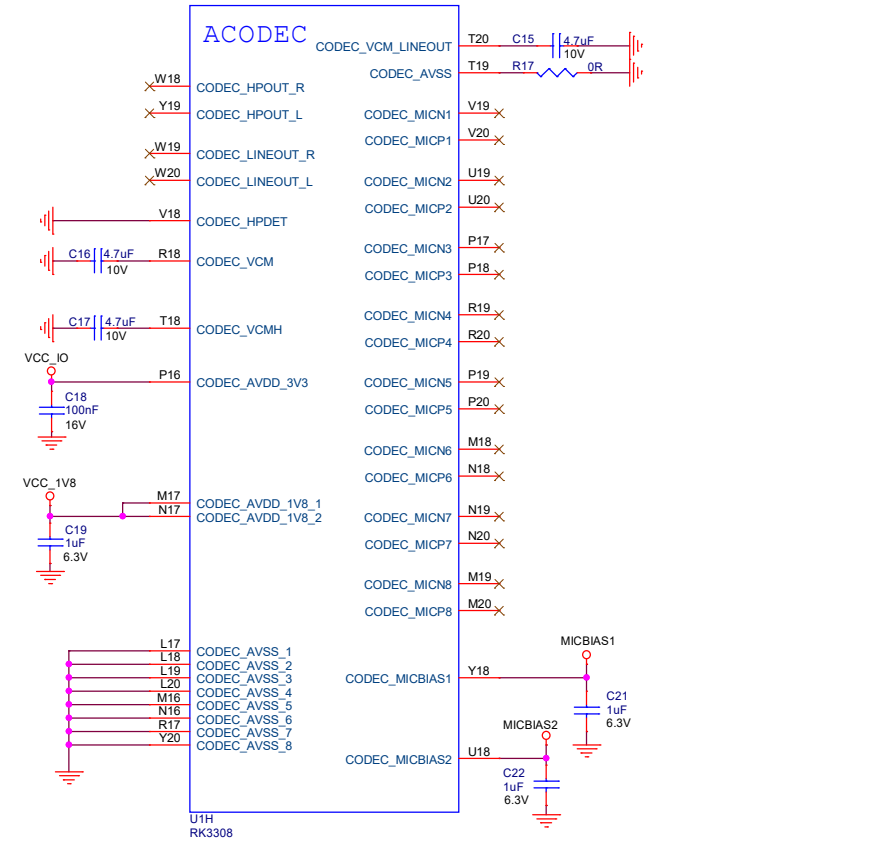


Size	Title: Radxa S0	REV
A4	Page Name: RK3308 SDIO/SDMMC/UART	1.2
Date: Friday, December 29, 2023		Sheet 06 of 14

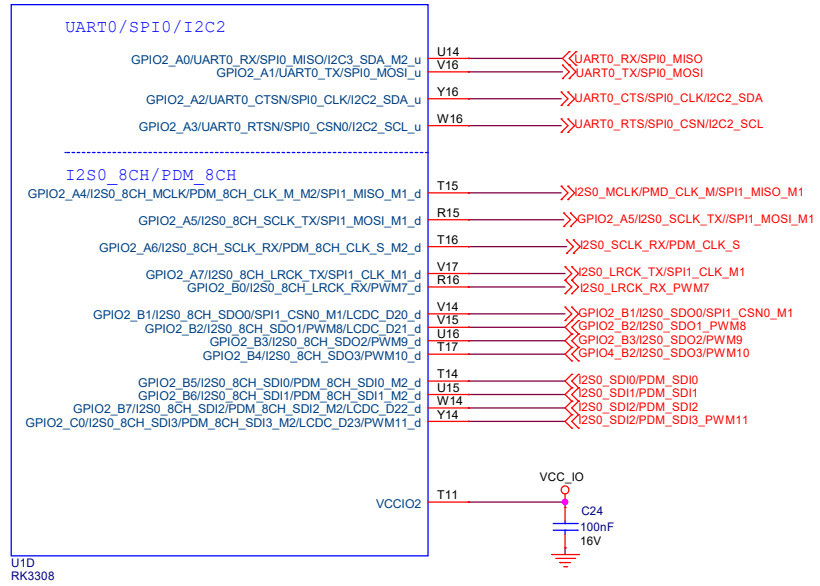
RK3308 Part-B



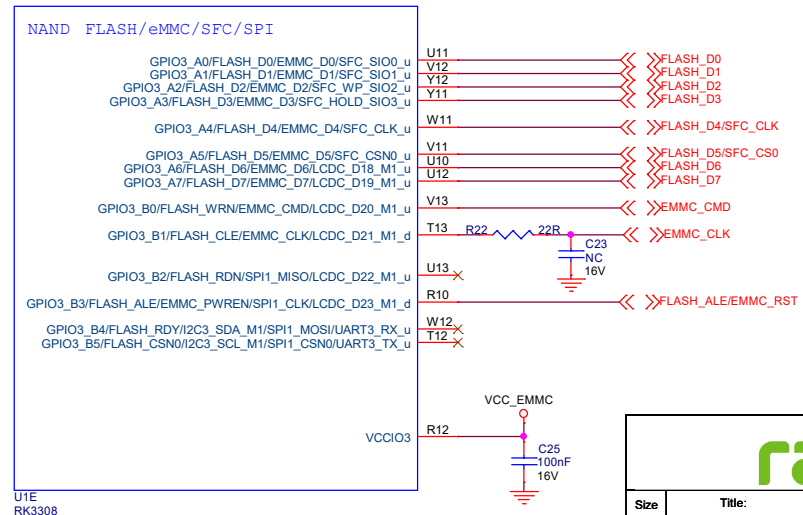
RK3308 Part-H



RK3308 Part-D



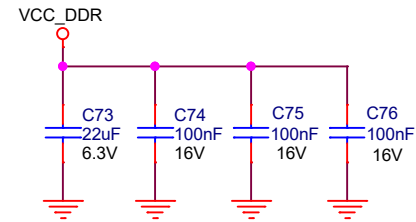
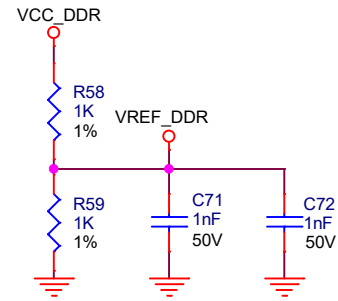
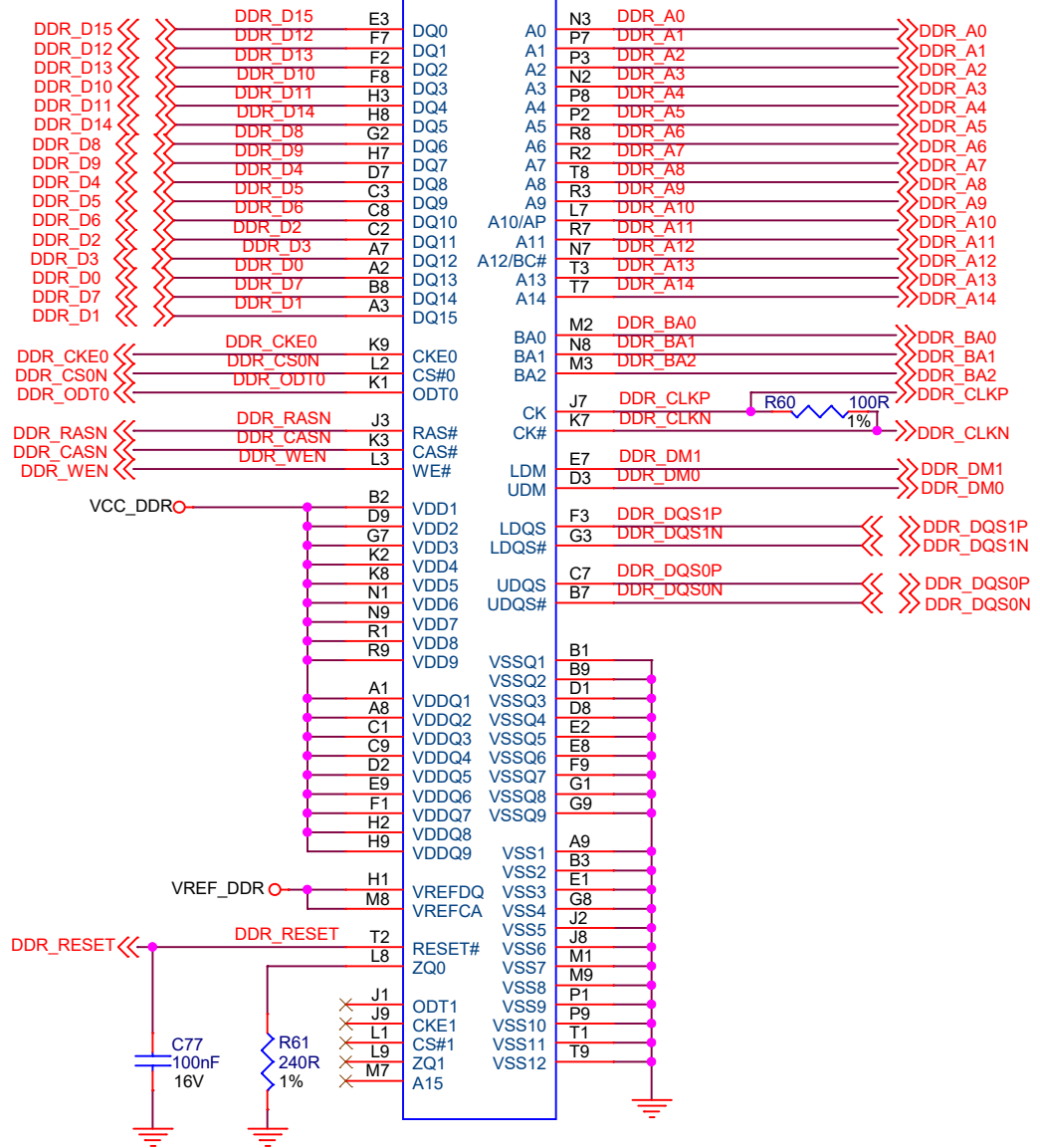
RK3308 Part-E




Size	Title:	Radxa S0	REV
A3	Page Name:	RK3308 GPIO/I2S0/PDM/SPDIF	1.2
Date:	Friday, December 29, 2023	Sheet	07 of 14

DDR3 1x16bit

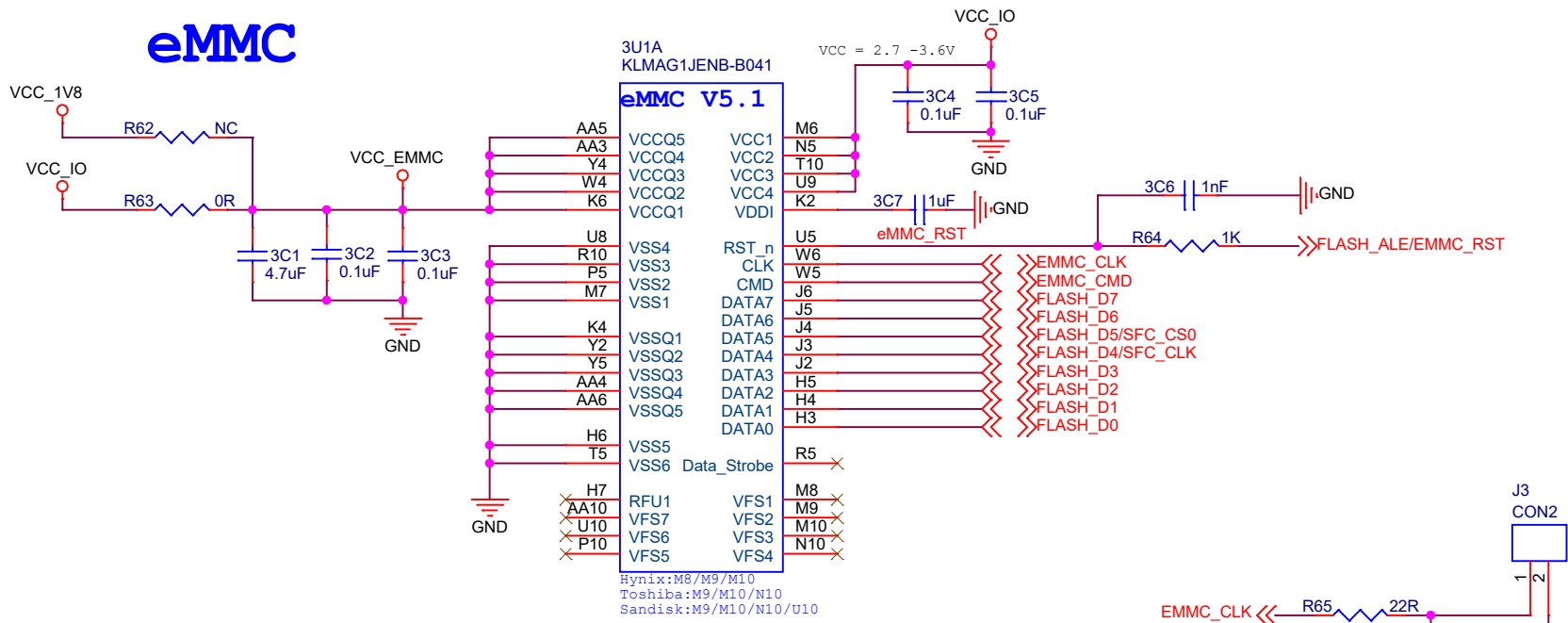
U7
K4B2G1646F-BYK0



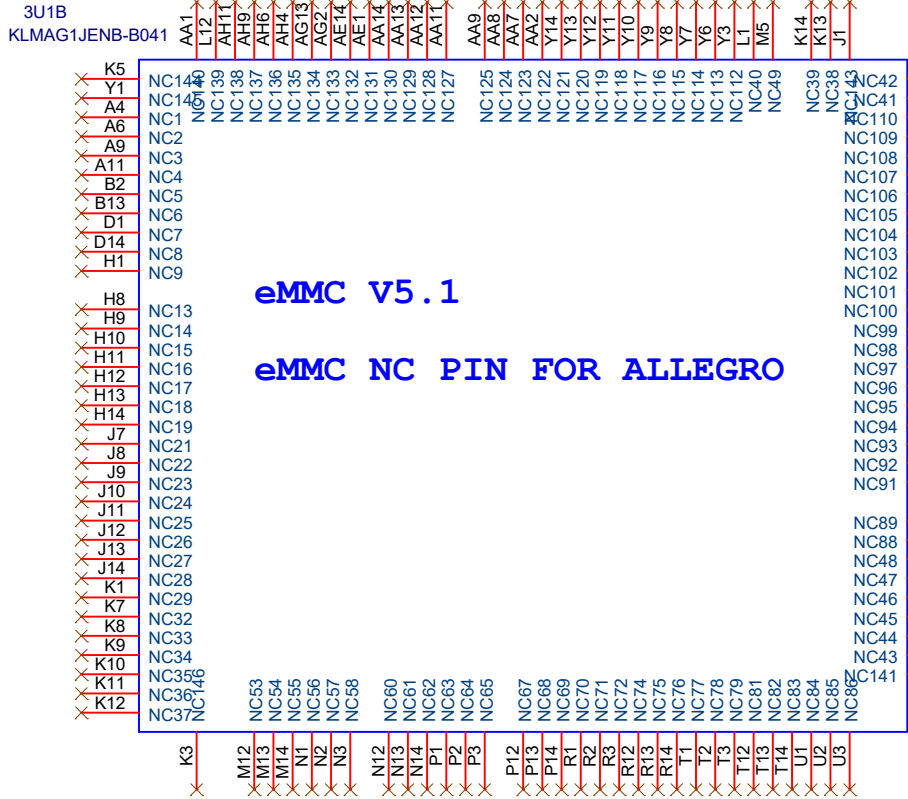


Size	Title: Radxa S0	REV
A4	Page Name: DDR3 1x16bit	1.2
Date: Friday, December 29, 2023	Sheet 08 of 14	

eMMC



Hynix:M8/M9/M10
Toshiba:M9/M10/N10
Sandisk:M9/M10/N10/U10



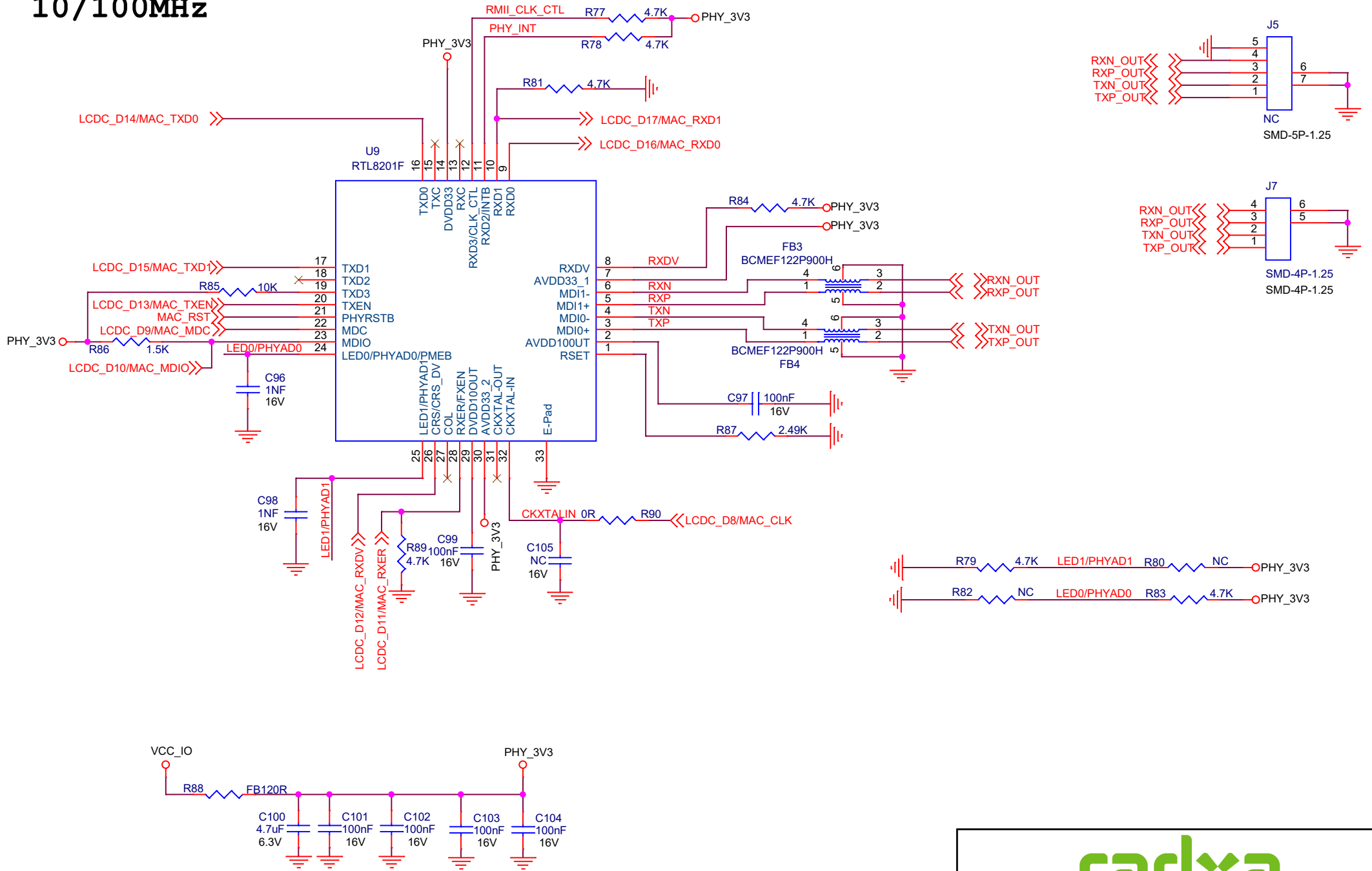
eMMC V5.1

eMMC NC PIN FOR ALLEGRO



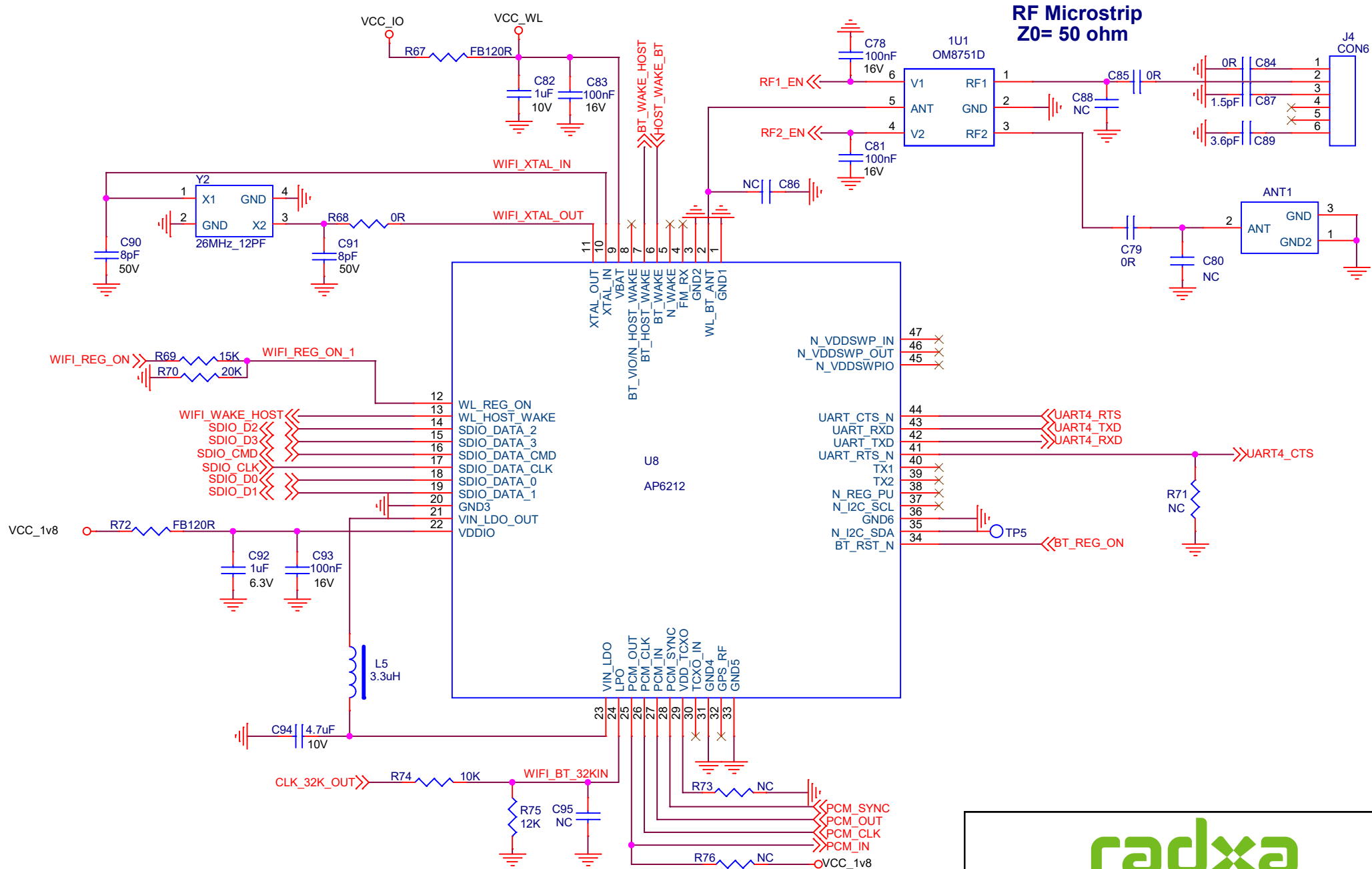
Size	Title: Radxa S0	REV
A4	Page Name: EMMC Flash	1.2
Date: Friday, December 29, 2023	Sheet 09 of 14	

10/100MHz




radxa

Size	Title:	Radxa S0	REV
A4	Page Name:	100MHz PHY	1.2
Date:		Friday, February 02, 2024	Sheet 10 of 14

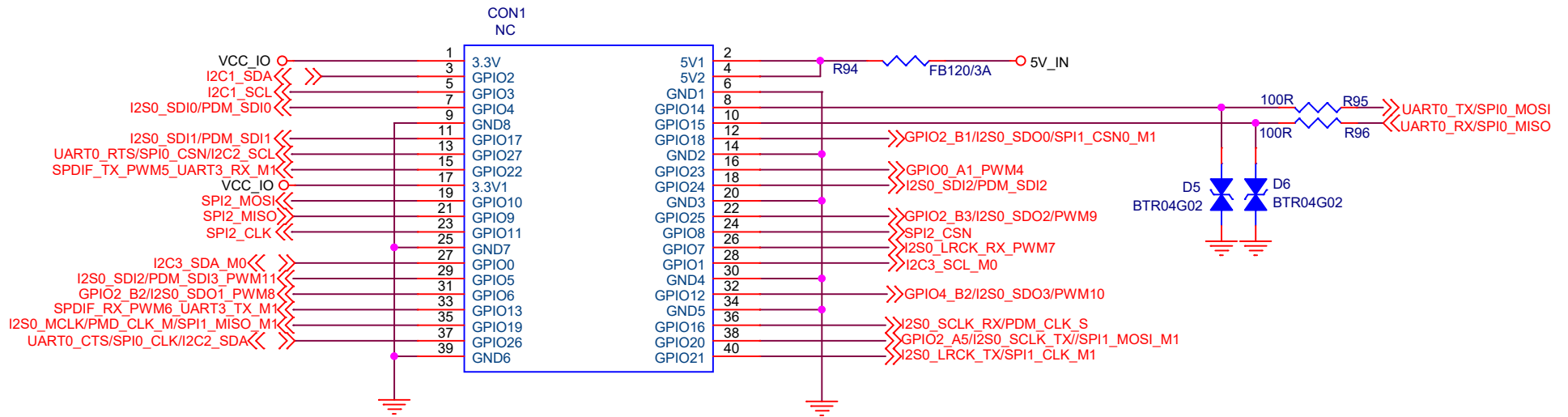
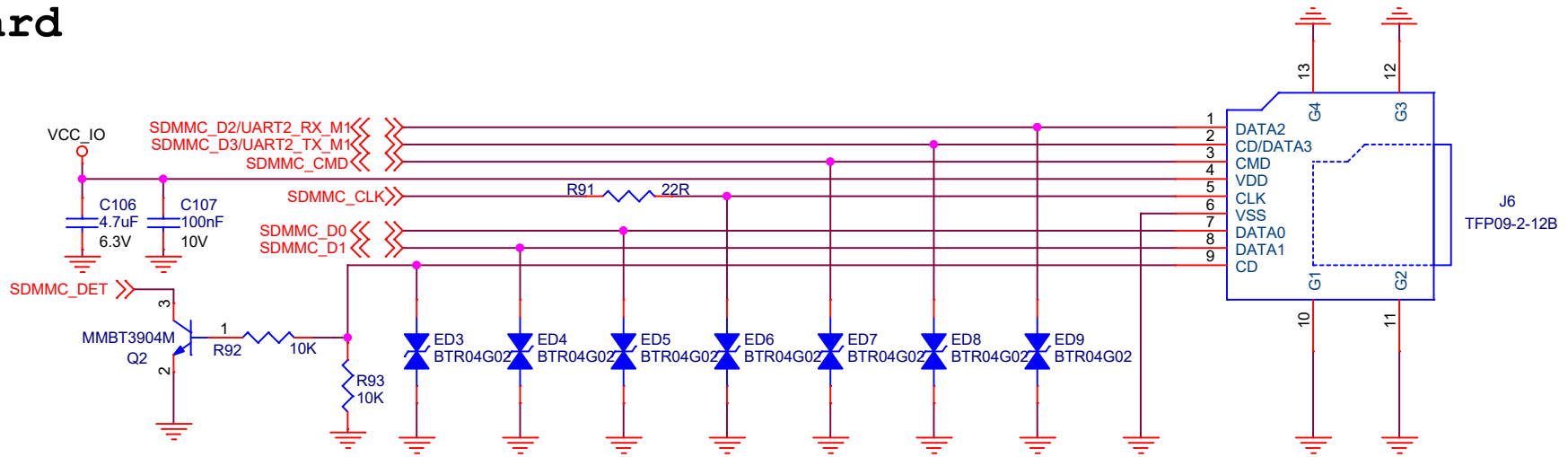


**RF Microstrip
Z0= 50 ohm**



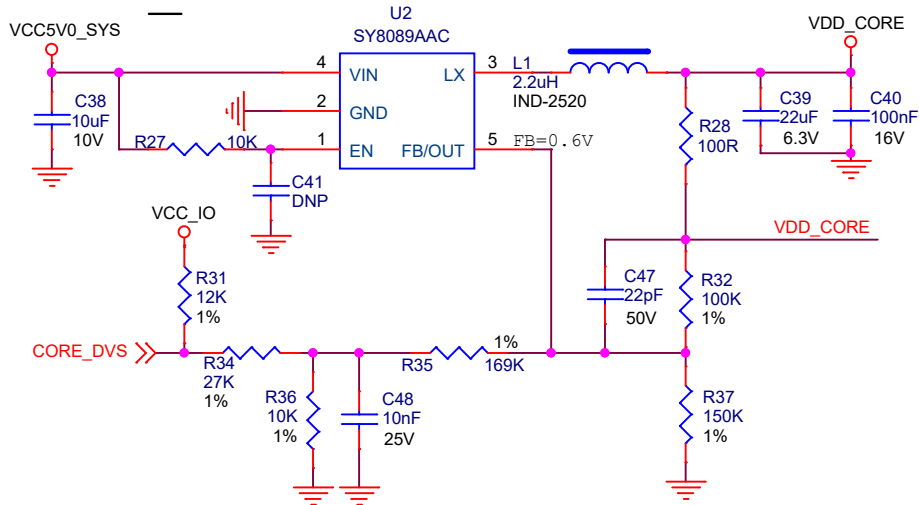
Size	Title:	Radxa S0	REV
A4	Page Name:	WiFi MODULE	1.2
Date:		Friday, December 29, 2023	Sheet 11 of 14

TF Card

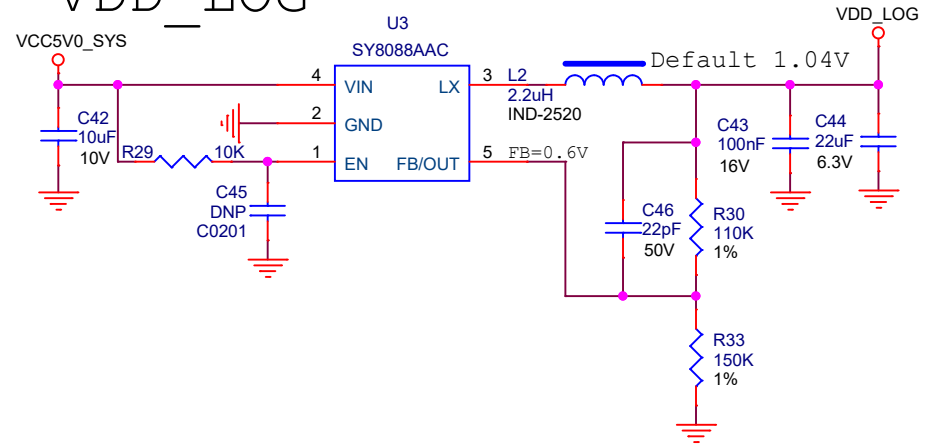


Size	Title:	Radxa S0	REV
A4	Page Name:	TF Card/40PIN	1.2
Date:		Friday, December 29, 2023	Sheet 12 of 14

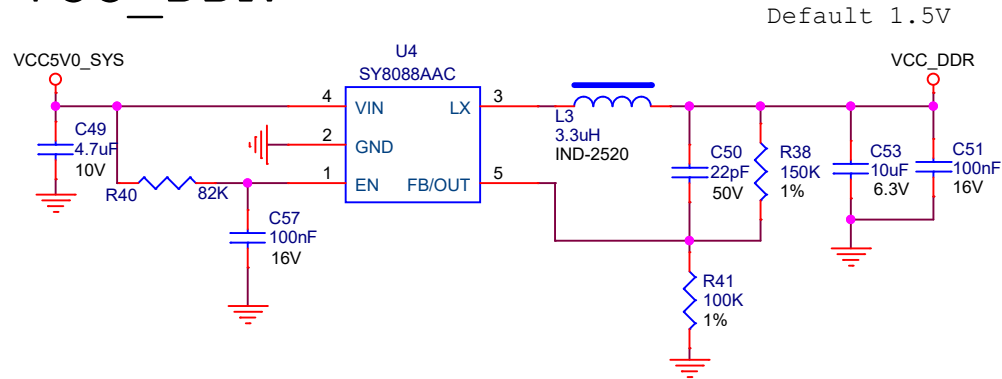
VDD_ARM



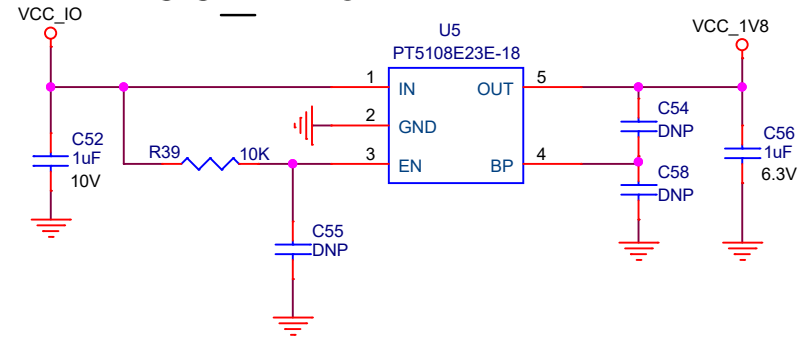
VDD_LOG



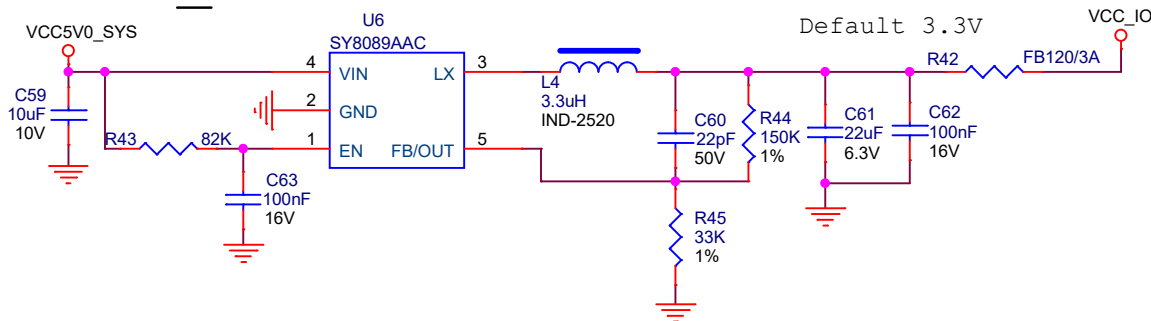
VCC_DDR



VCC_1V8

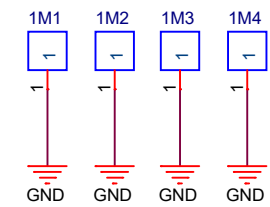
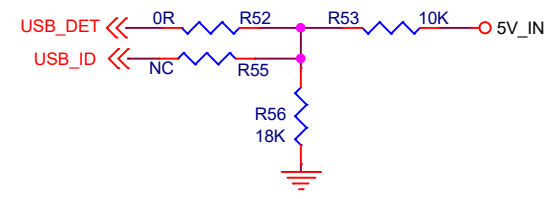
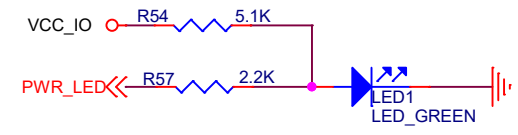
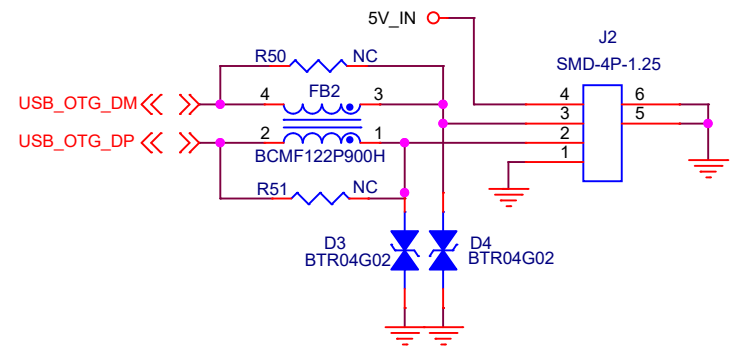
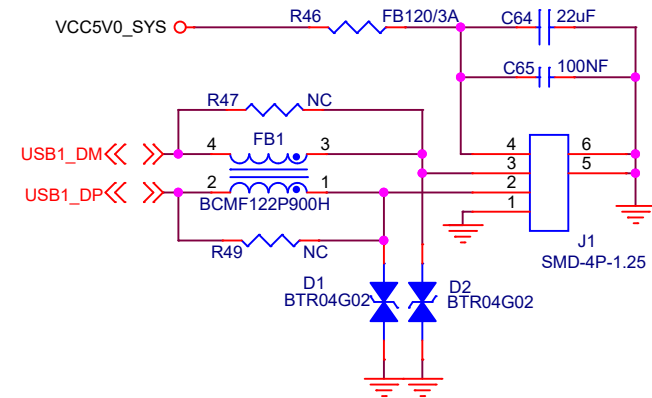
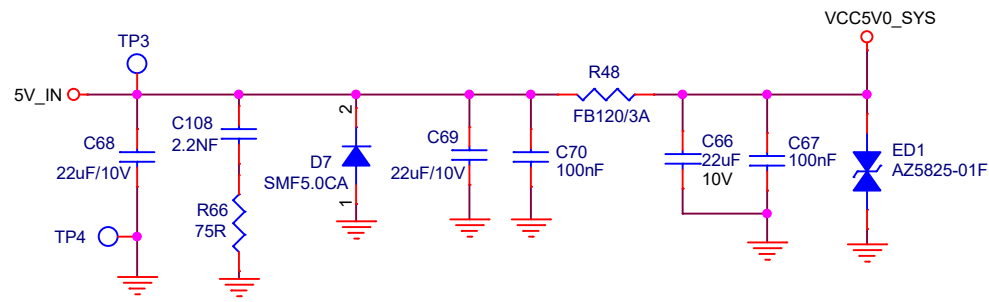


VCC_IO



Size	Title:	Radxa S0	REV
A4	Page Name:	Discrete Power	1.2
Date:		Friday, December 29, 2023	Sheet 13 of 14

USB OTG



Size	Title:	Radxa S0	REV
A4	Page Name:	USB/POWER IN/LED	1.2
Date:		Friday, December 29, 2023	Sheet 14 of 14