

---

# Radxa Camera 4K

For Radxa

Revision 1.0  
2023-05-10



## Contents

|   |                         |   |
|---|-------------------------|---|
| 1 | Revision Control Table  | 2 |
| 2 | Overview                | 3 |
| 3 | Specification           | 3 |
| 4 | Physical specifications | 5 |
| 5 | Availability            | 6 |
| 6 | Support                 | 6 |

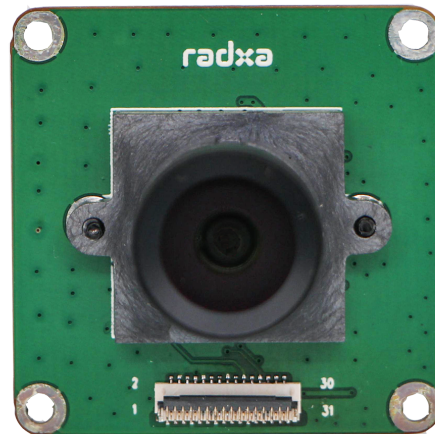
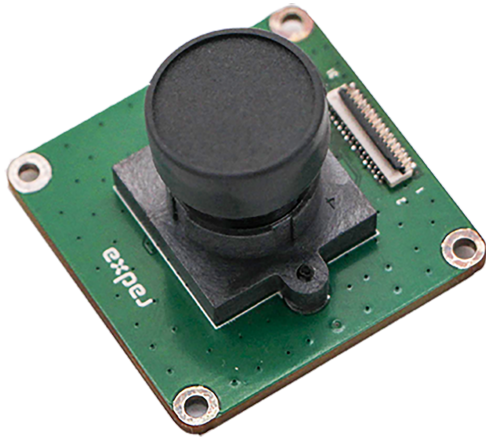
# 1 Revision Control Table

---

| Version | Date       | Changes from previous version |
|---------|------------|-------------------------------|
| 1.0     | 10/05/2023 | Update information            |

---

## 2 Overview



Radxa Camera 4K is an high resolution camera module for Radxa products powered by a Sony IMX415 image sensor with 8.29M pixels and up to 4K resolution. Radxa Camera 4K Module is capable of the following applications:

- Surveillance cameras
- FA cameras
- Industrial cameras

## 3 Specification

- Sensor:
  - SONY IMX415
  - Diagonal 6.43 mm (Type 1/2.8)
  - 8.29M pixel
  - Unit cell size: 1.45  $\mu\text{m}$  (H)  $\times$  1.45  $\mu\text{m}$  (V)
- Output:
  - MIPI CSI-2 4-Lanes serial data output
  - RAW10 / RAW12 output
- Lens Specification:

- Interface Type: M12XP0.5
- Focal Length(EFL):  $2.95 \pm 5\%$ mm
- Back Focal Length(BFL): 4.64mm
- Flange Back Length(FBL): 4.00mm
- Single lens operating temperature:  $-40^{\circ}\text{C} \sim +85^{\circ}\text{C}$
- FOV

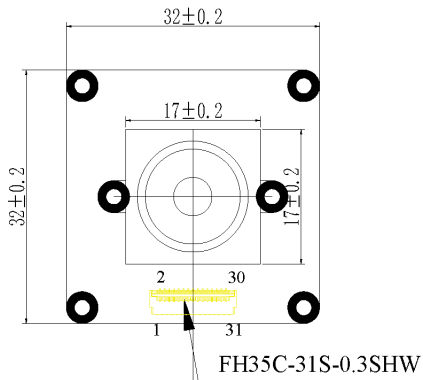
---

| Field of view (Diagonal/Horizontal/Vertical)                        | CRA |
|---|-----|
| D= $88.2 \pm 5^{\circ}$ H= $75 \pm 3^{\circ}$ V= $59 \pm 2^{\circ}$ | 15° |

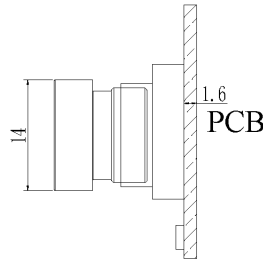
---

- Default ribbon cable length: 150 mm

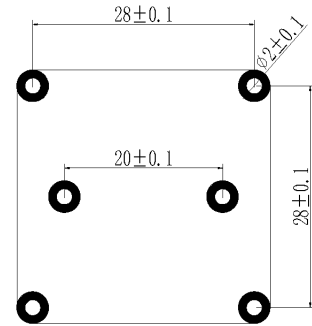
## 4 Physical specifications



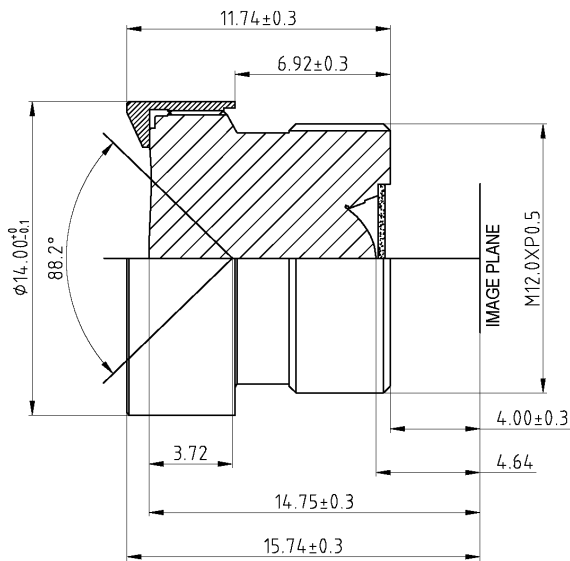
TOP VIEW



SIDE VIEW



BOTTOM VIEW



Note: all dimensions in mm

### 5 Availability

Radxa guarantees availability of the Radxa Camera 4K until at least September 2029.

### 6 Support

For support, please see the support documentation section of the [Radxa website](#) website and post questions on the [Radxa Forum](#).