

Table of Content

Page 1	01.Index
Page 2	02.Revision History
Page 3	03.Block Diagram
Page 4	04.RK3566_Power/GND
Page 5	05.RK3566_DDR_PHY
Page 6	06.RK3566_OSC/PLL/PMUIO
Page 7	07.RK3566_Flash/SD
Page 8	08.RK3566_USB/PCIe/SATA/PHY
Page 9	09.RK3566_SARADC/GPIO
Page 10	10.RK3566_VI_Interface
Page 11	11.RK3566_VO_Interface_1
Page 12	12.RK3566_VO_Interface_2
Page 13	13.RK3566_Audio_Interface
Page 14	14.SPI Flash
Page 15	15.LPDDR4X_1x32Bit_200P
Page 16	16.Memory-eMMC
Page 17	17.WIFI/BT-SDIO
Page 18	18.Ethernet-1000MHz
Page 19	19.Power PMIC
Page 20	20.Power IN
Page 21	21.GPIO+VCC_Connector
Page 22	22.High Speed Serial_Connector
Page 23	23.IO_Connector

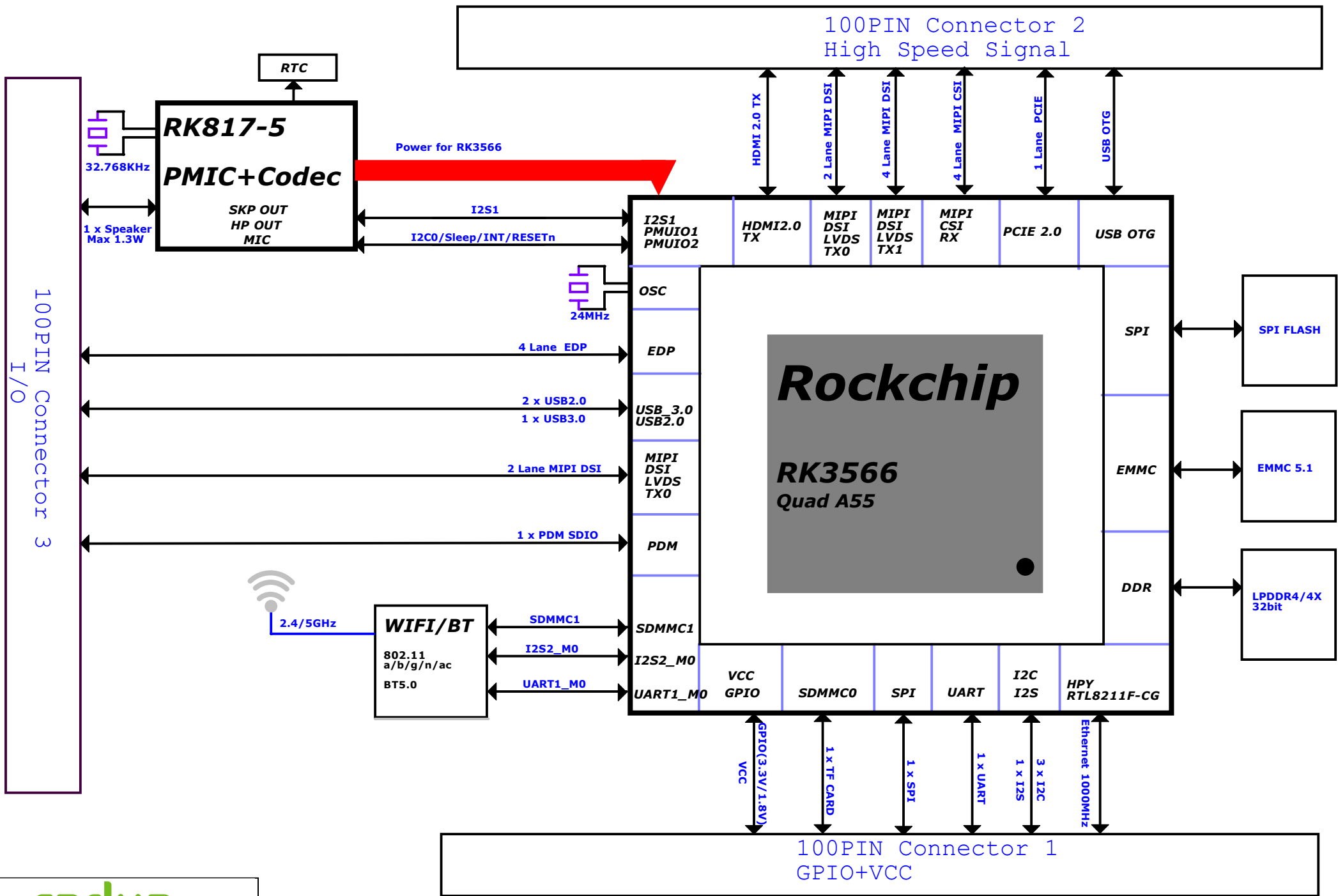


Size	Title: ROCK3 Compute Module	REV
A4	Page Name: Index	1.321A
Date:	Thursday, February 16, 2023	Sheet 01 of 23

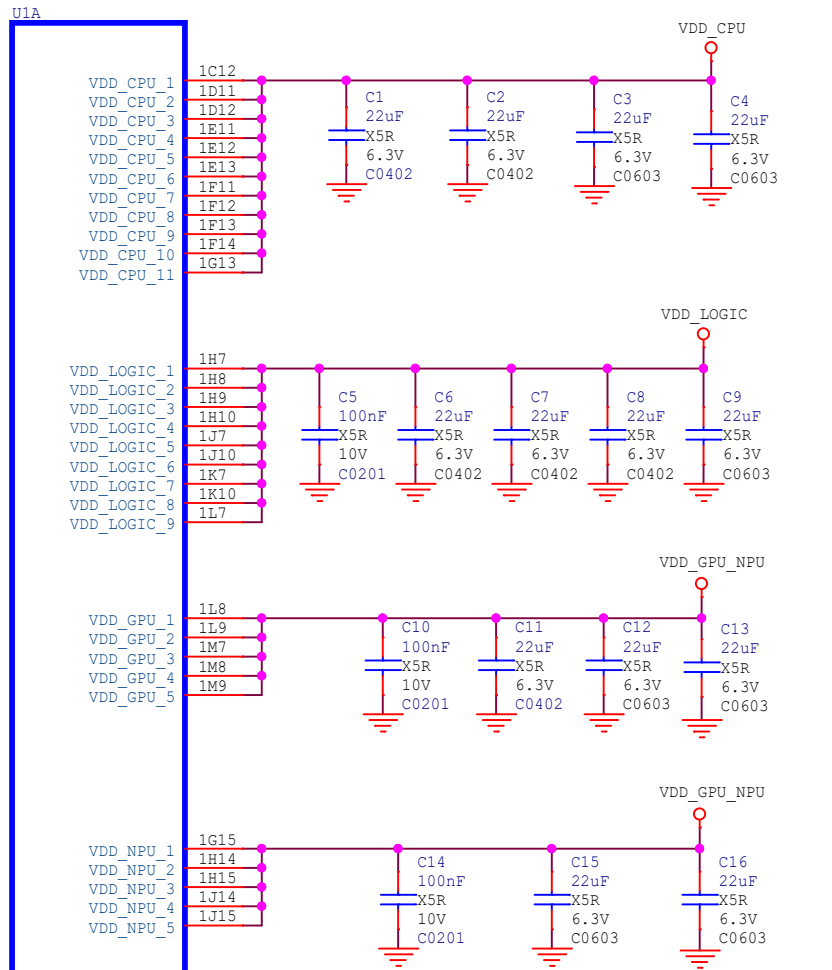
Revision History

Version	Date	Author	Change Note	Approved
V1.0	20210421	Huang	First edition	
V1.1	20210706	Huang	Replacing the PMU IC	
V1.2	20220107	Huang	Add a power-on automatic working circuit	
V1.3	20220325	Huang	Optimize connector pin definition	
V1.31A	20220527	Huang	Optimize connector pin definition	
V1.32A	20221103	Huang	Increase SMT resistance	
V1.321A	20230216	Huang	Increase SMT resistance	



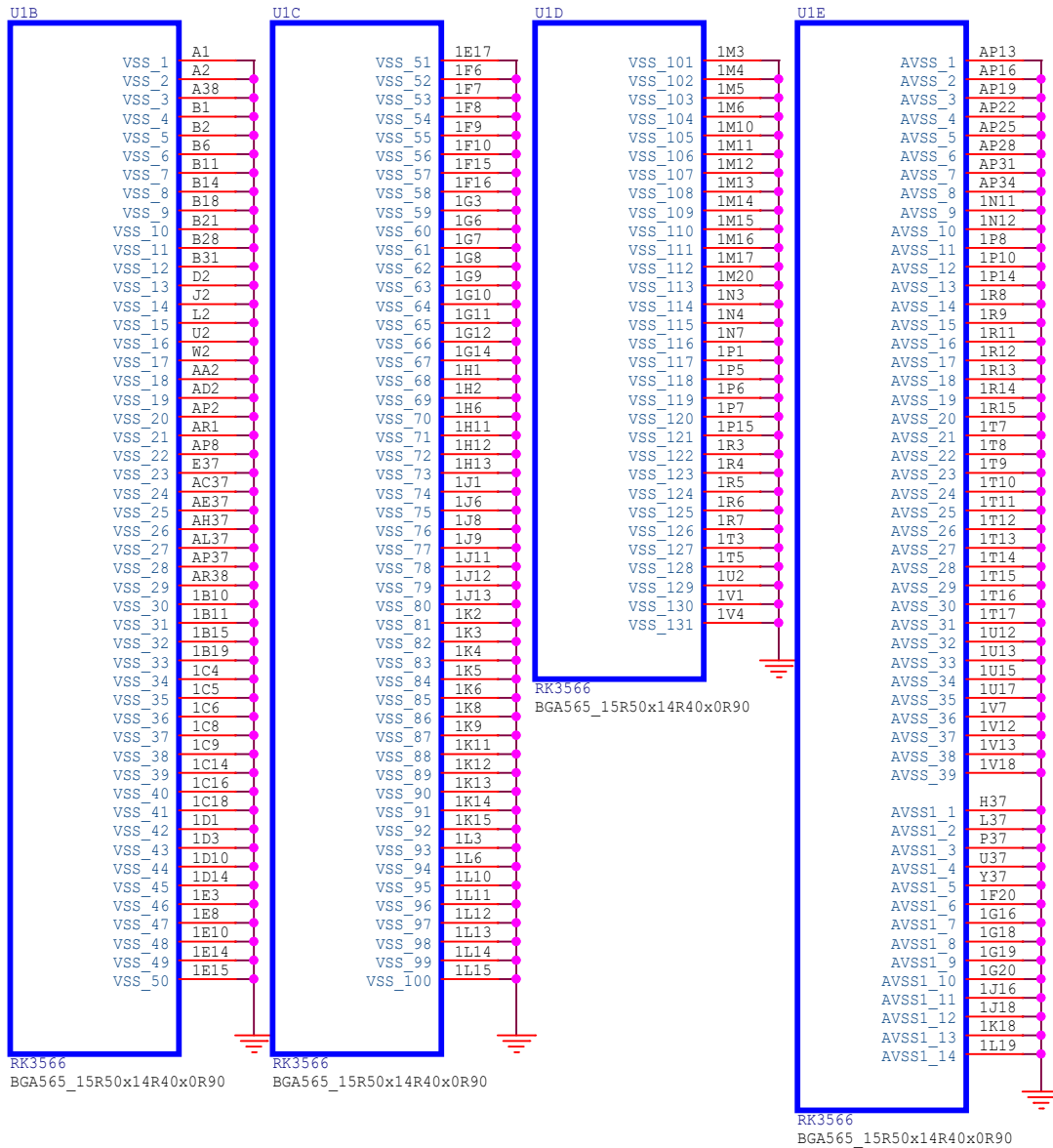


RK3566_ABCDE (Power&GND)



Caps should be placed close to the U1000 package

RK3566
BGA565_15R50x14R40x0R90



RK3566
BGA565_15R50x14R40x0R90

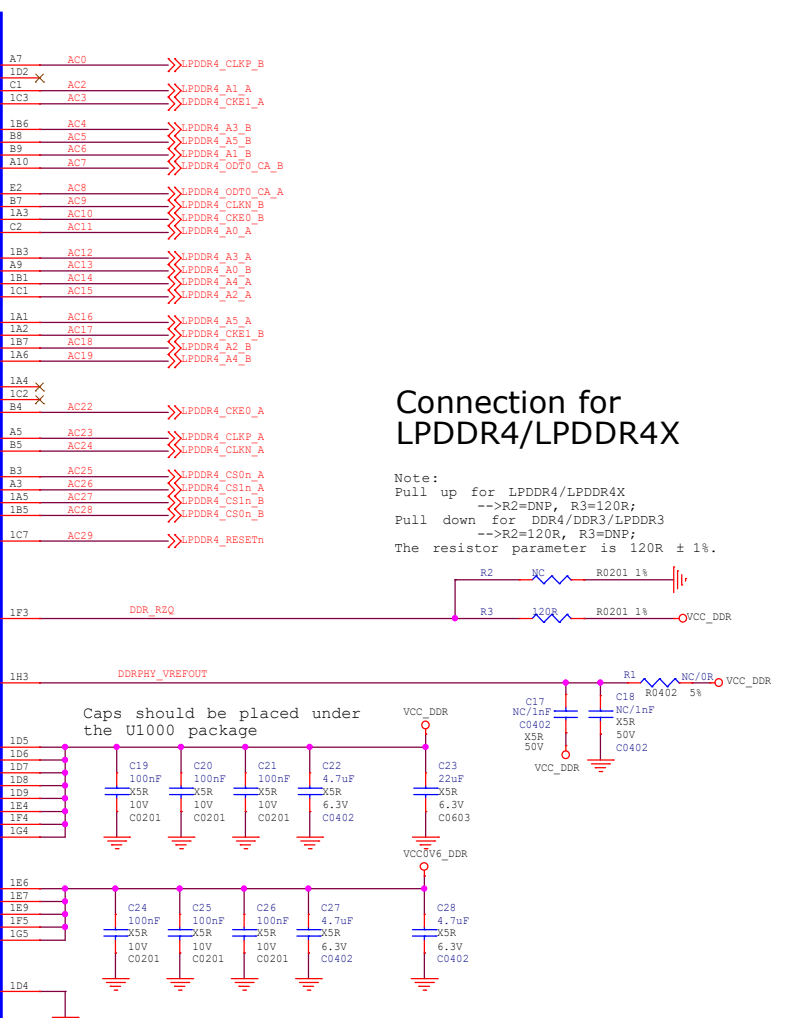
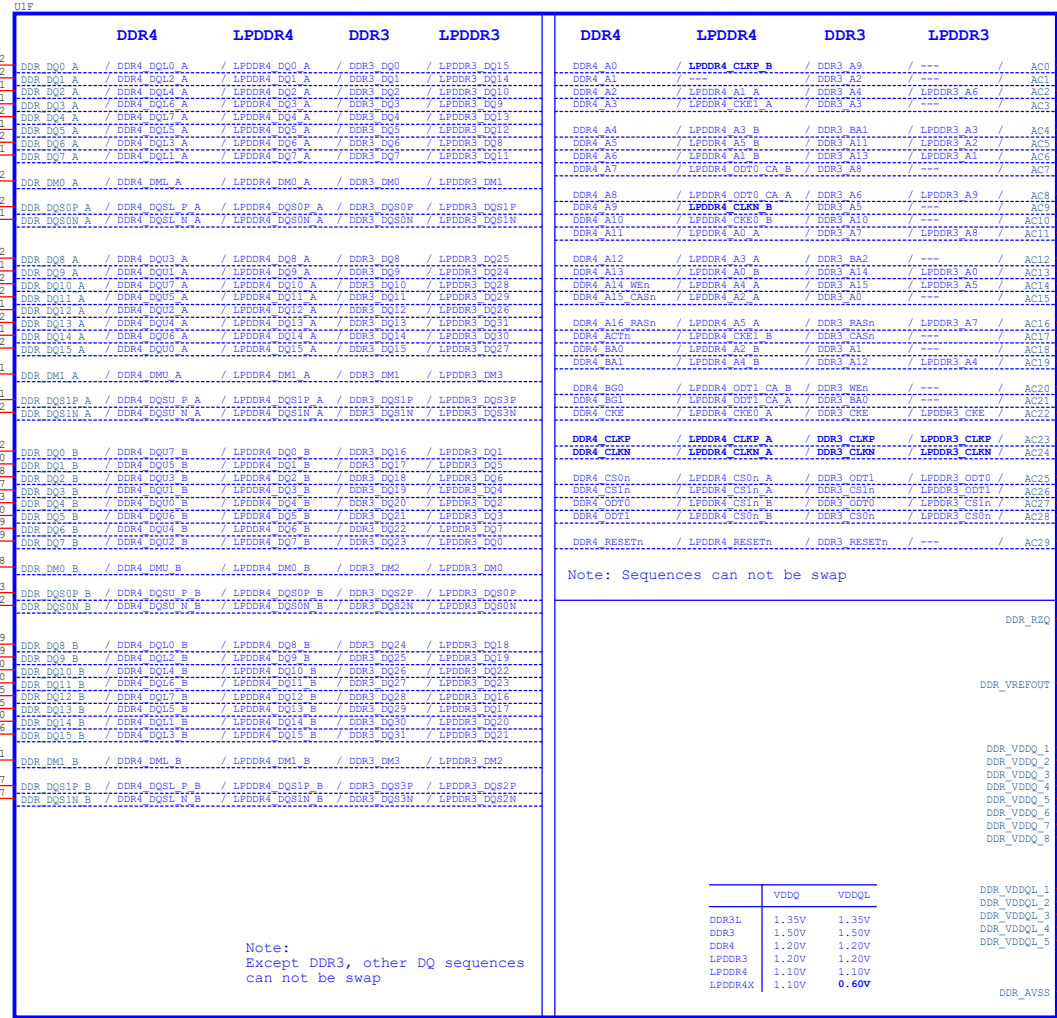
RK3566
BGA565_15R50x14R40x0R90

RK3566
BGA565_15R50x14R40x0R90



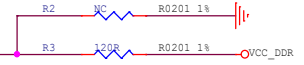
Size	Title: ROCK3 Compute Module	REV
A4	Page Name: RK3566_Power/GND	1.321A
Date: Thursday, February 16, 2023	Sheet 04 of 23	

RK3566_F (DDR PHY)

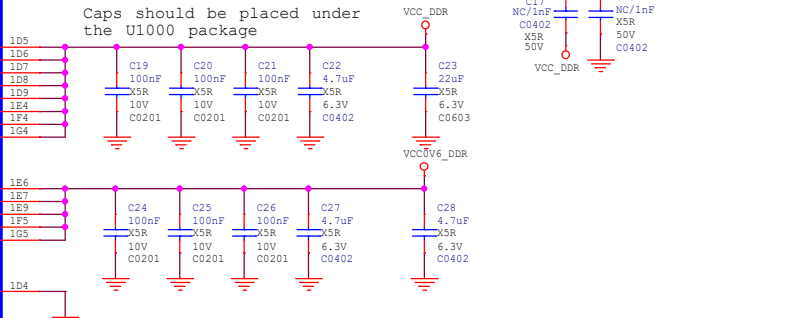


Connection for LPDDR4/LPDDR4X

Note:
 Pull up for LPDDR4/LPDDR4X -->R2=DNF, R3=120R;
 Pull down for DDR4/DDR3/LPDDR3 -->R2=120R, R3=DNF;
 The resistor parameter is 120R ± 1%.



Caps should be placed under the U1000 package



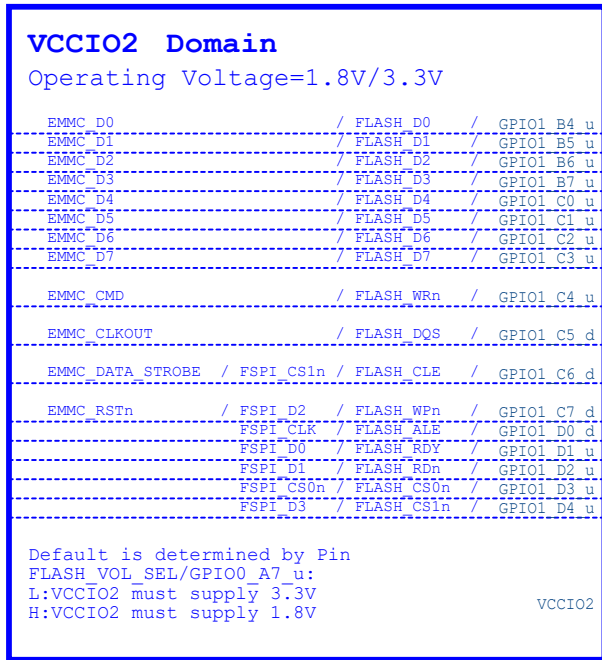
Attention!

For LPDDR4X DDR_VDDQL = 0.6V,
 For LPDDR3 ultra low power mode,
 DDR_VDDQ&DDR_VDDQL connect to VCC_DDRC

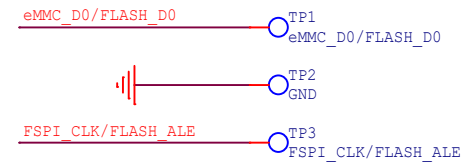
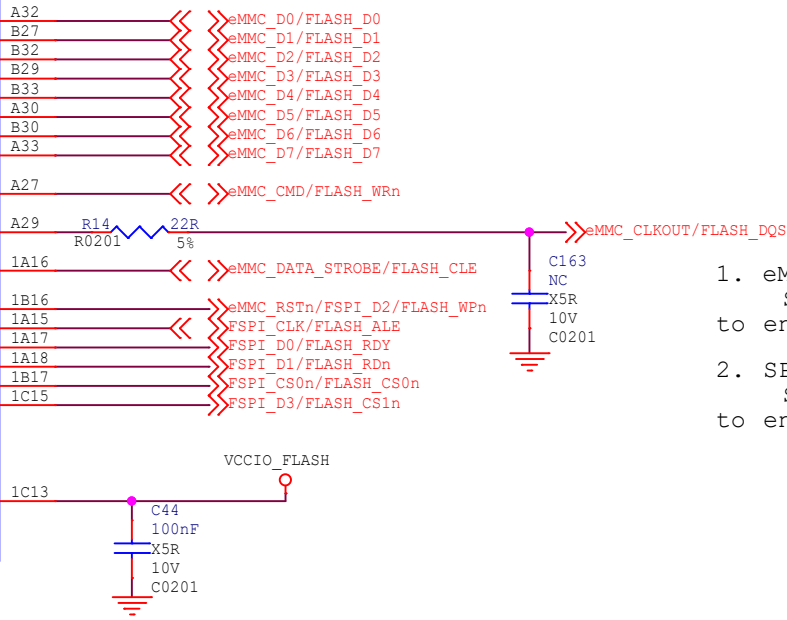


Size	Title: ROCK3 Compute Module	REV
Custom	Page Name: RK3566_DDR_PHY	1.321A
Date: Thursday, February 16, 2023	Sheet 05 of 23	

RK3566_I (VCCIO2 Domain)

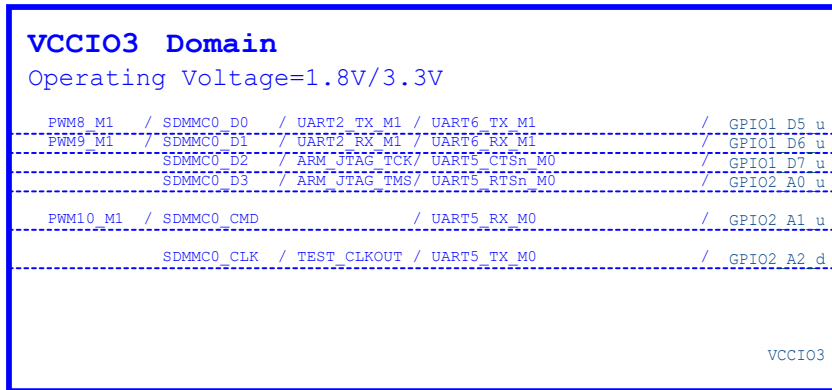


U1I
RK3566
BGA565_15R50x14R40x0R90

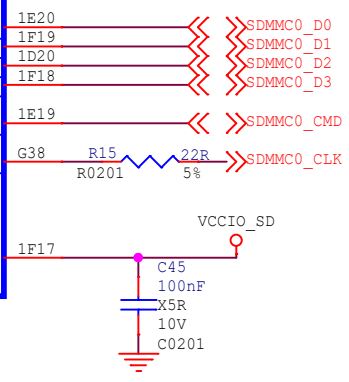


1. eMMC or Nand Flash:
Short 'eMMC_D0/FLASH_D0' and GND to enter Maskrom Mode.
2. SPI Flash:
Short 'FSPI_CLK/FLASH_ALE' and GND to enter Maskrom Mode.

RK3566_J (VCCIO3 Domain)

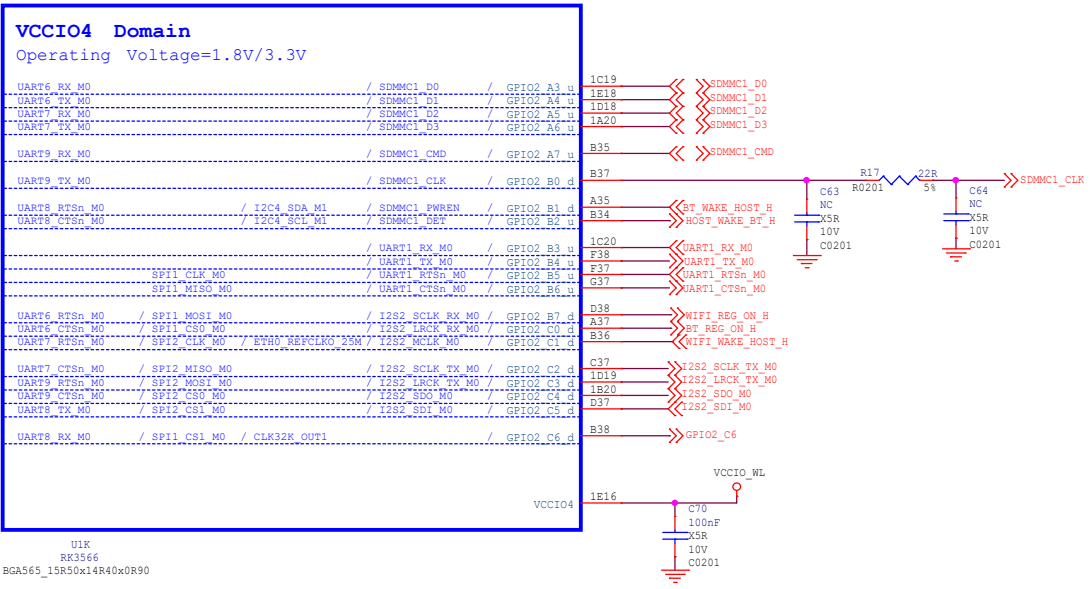


U1J
RK3566
BGA565_15R50x14R40x0R90

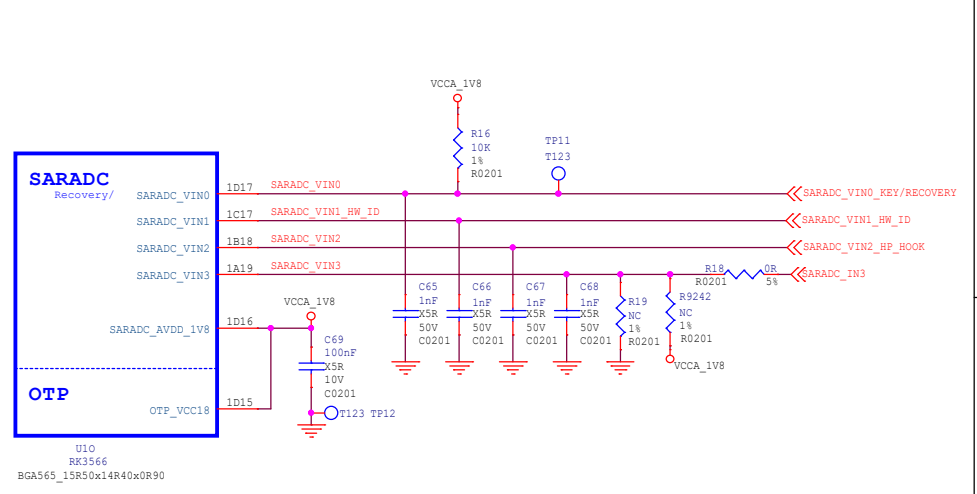


Size	Title: ROCK3 Compute Module	REV
A4	Page Name: RK3566_Flash/SD	1.321A
Date: Thursday, February 16, 2023	Sheet 07 of 23	

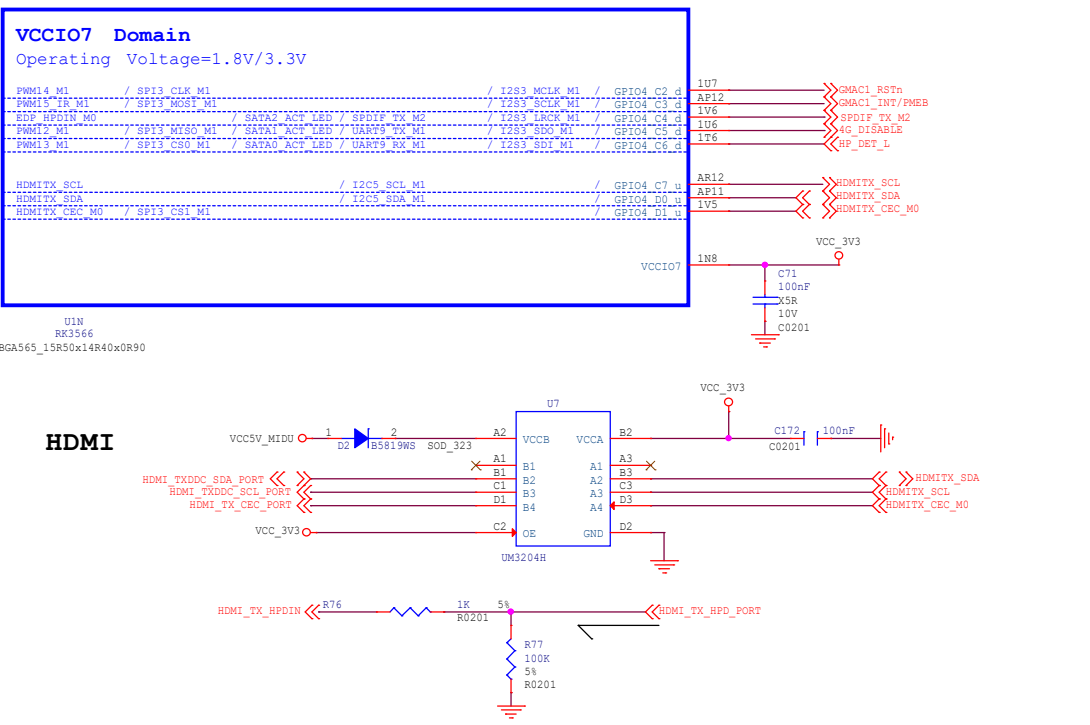
RK3566_K (VCCIO4 Domain)



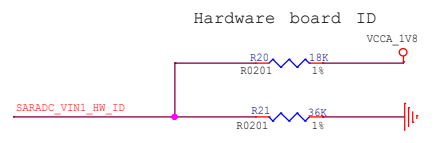
RK3566_O (SARADC/OTP)



RK3566_N (VCCIO7 Domain)



SARADC_VIN1_HW_ID	Rup	Rdown	ADC
G	10K	DNP	
Version 1.2	20K	100K	
Version 1.3	18K	36K	
A	DNP	100K	
B	100K	20K	
C	100K	51K	
D	100K	100K	
E			
F			
NC	DNP	DNP	



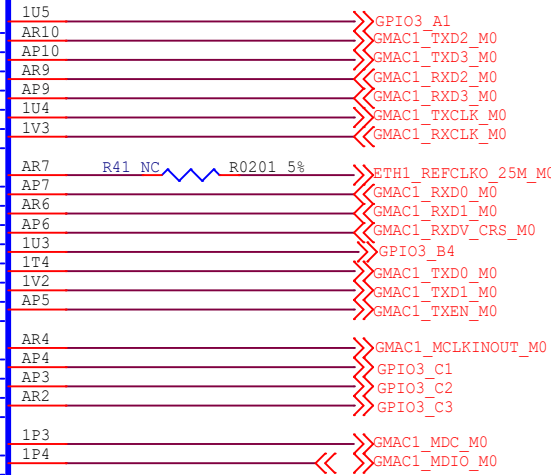
Size	Title: ROCK3 Compute Module	REV
A3	Page Name: RK3566_SARADC/GPIO	1.321A
Date: Thursday, February 16, 2023	Sheet 09	of 23

RK3566_L (VCCIO5 Domain)

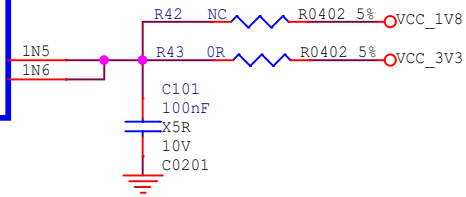
VCCIO5 Domain

Operating Voltage=1.8V/3.3V

VOP_BT1120_D0	/ SPI1_CS0_M1			/ SDMMC2_D0_M1	/ GPIO3_A1_d
VOP_BT1120_D1		/ GMAC1_TXD2_M0	/ I2S3_MCLK_M0	/ SDMMC2_D1_M1	/ GPIO3_A2_d
VOP_BT1120_D2		/ GMAC1_TXD3_M0	/ I2S3_SCLK_M0	/ SDMMC2_D2_M1	/ GPIO3_A3_d
VOP_BT1120_D3		/ GMAC1_RXD2_M0	/ I2S3_LRCK_M0	/ SDMMC2_D3_M1	/ GPIO3_A4_d
VOP_BT1120_D4		/ GMAC1_RXD3_M0	/ I2S3_SDO_M0	/ SDMMC2_CMD_M1	/ GPIO3_A5_d
VOP_BT1120_CLK		/ GMAC1_TXCLK_M0	/ I2S3_SBI_M0	/ SDMMC2_CLK_M1	/ GPIO3_A6_d
VOP_BT1120_D5		/ GMAC1_RXCLK_M0		/ SDMMC2_DET_M1	/ GPIO3_A7_d
VOP_BT1120_D6		/ ETH1_REFCLK0_25M_M0		/ SDMMC2_PWREN_M1	/ GPIO3_B0_d
PWM8_M0	/ VOP_BT1120_D7	/ GMAC1_RXD0_M0	/ UART4_RX_M1		/ GPIO3_B1_d
PWM9_M0	/ VOP_BT1120_D8	/ GMAC1_RXD1_M0	/ UART4_TX_M1		/ GPIO3_B2_d
VOP_BT1120_D9	/ I2C5_SCL_M0	/ GMAC1_RXDV_CRS_M0		/ PDM_SDI0_M2	/ GPIO3_B3_d
VOP_BT1120_D10	/ I2C5_SDA_M0	/ GMAC1_RXER_M0		/ PDM_SDI1_M2	/ GPIO3_B4_d
PWM10_M0	/ VOP_BT1120_D11	/ I2C3_SCL_M1	/ GMAC1_TXD0_M0		/ GPIO3_B5_d
PWM11_IR_M0	/ VOP_BT1120_D12	/ I2C3_SDA_M1	/ GMAC1_TXD1_M0		/ GPIO3_B6_d
PWM12_M0		/ GMAC1_TXEN_M0	/ UART3_TX_M1	/ PDM_SDI2_M2	/ GPIO3_B7_d
PWM13_M0		/ GMAC1_MCLKINOUT_M0	/ UART3_RX_M1	/ PDM_SDI3_M2	/ GPIO3_C0_d
VOP_BT1120_D13	/ SPI1_MOSI_M1		/ PCIE20_PERSTn_M1	/ I2S1_SDO2_M2	/ GPIO3_C1_d
VOP_BT1120_D14	/ SPI1_MISO_M1		/ UART5_TX_M1	/ I2S1_SDO3_M2	/ GPIO3_C2_d
VOP_BT1120_D15	/ SPI1_CLK_M1		/ UART5_RX_M1	/ I2S1_SCLK_RX_M2	/ GPIO3_C3_d
PWM14_M0	/ VOP_PWM_M1	/ GMAC1_MDC_M0	/ UART7_TX_M1	/ PDM_CLK1_M2	/ GPIO3_C4_d
PWM15_IR_M0	/ SPDIF_TX_M1	/ GMAC1_MDIO_M0	/ UART7_RX_M1	/ I2S1_LRCK_RX_M2	/ GPIO3_C5_d



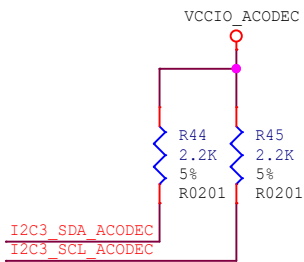
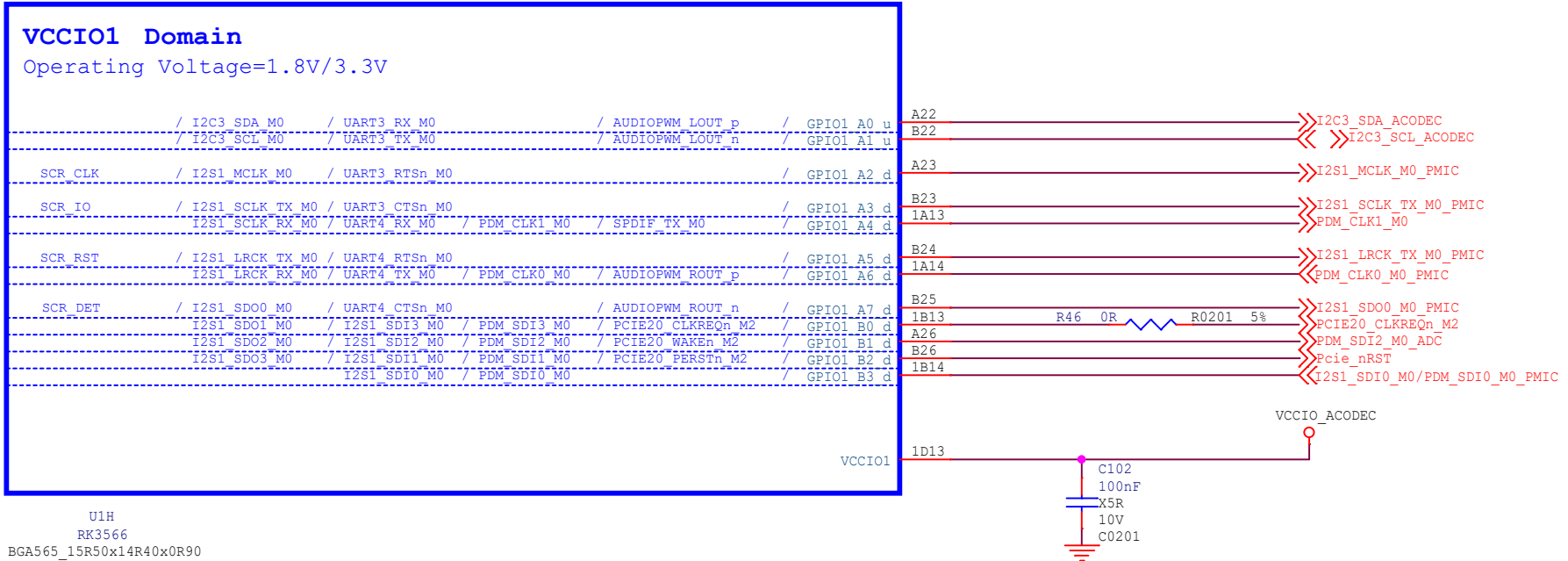
VCCIO5_1
VCCIO5_2

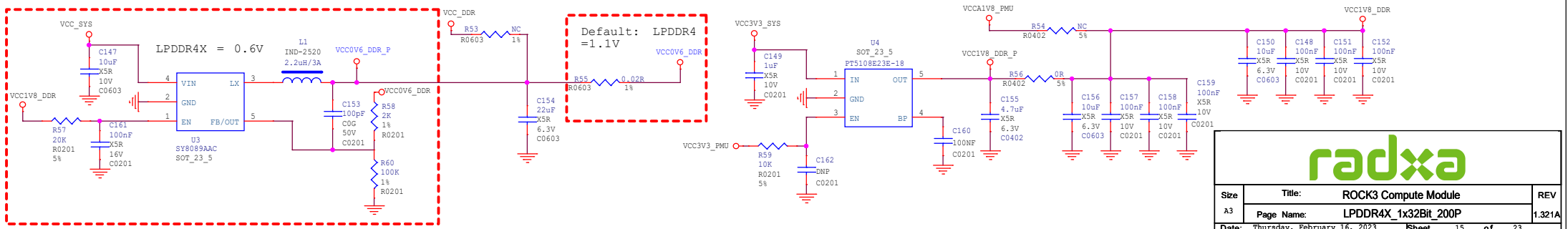
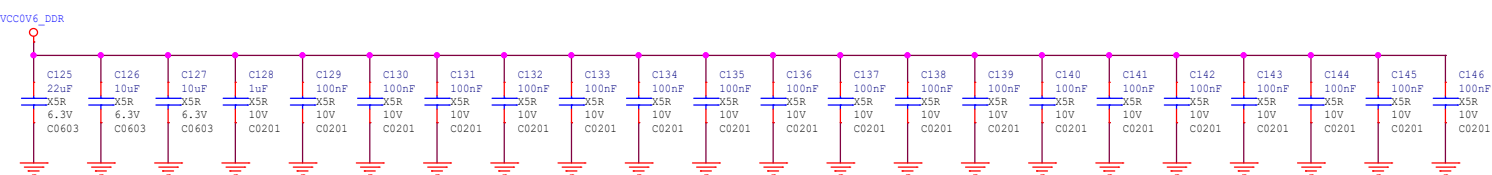
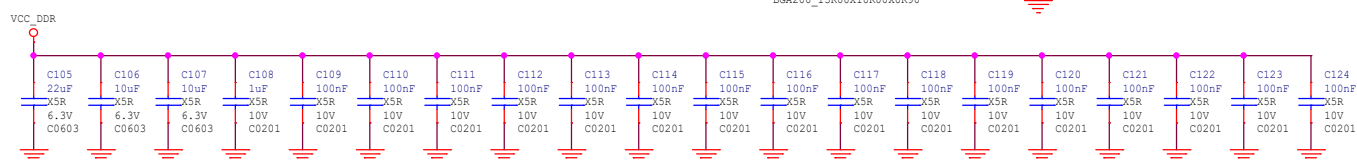
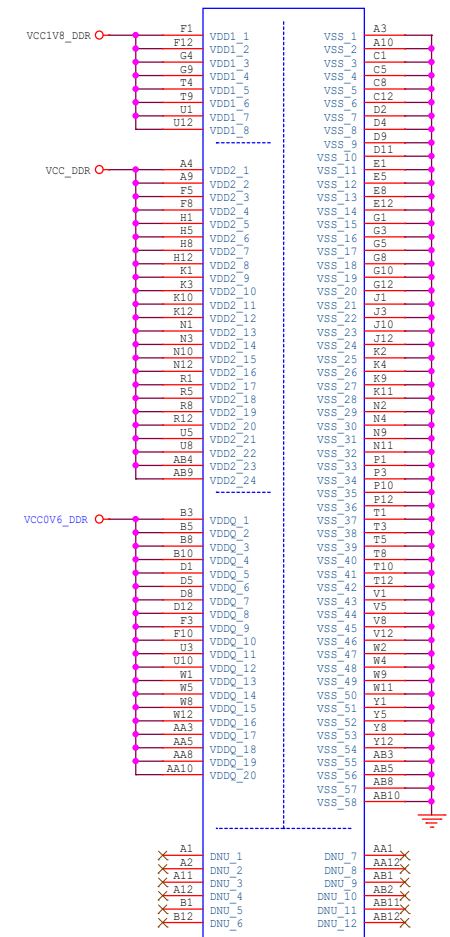
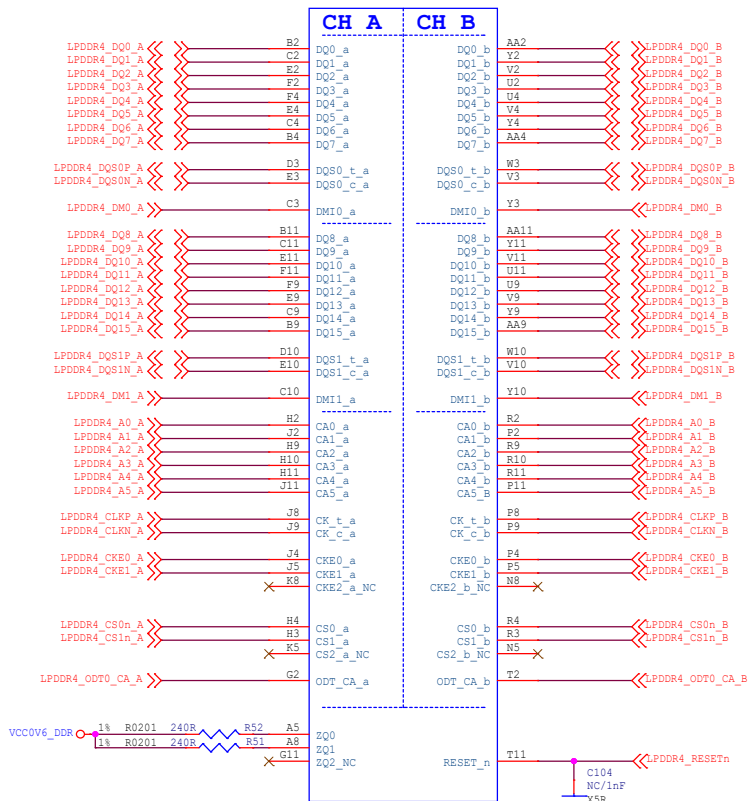


U1L
RK3566
BGA565_15R50x14R40x0R90



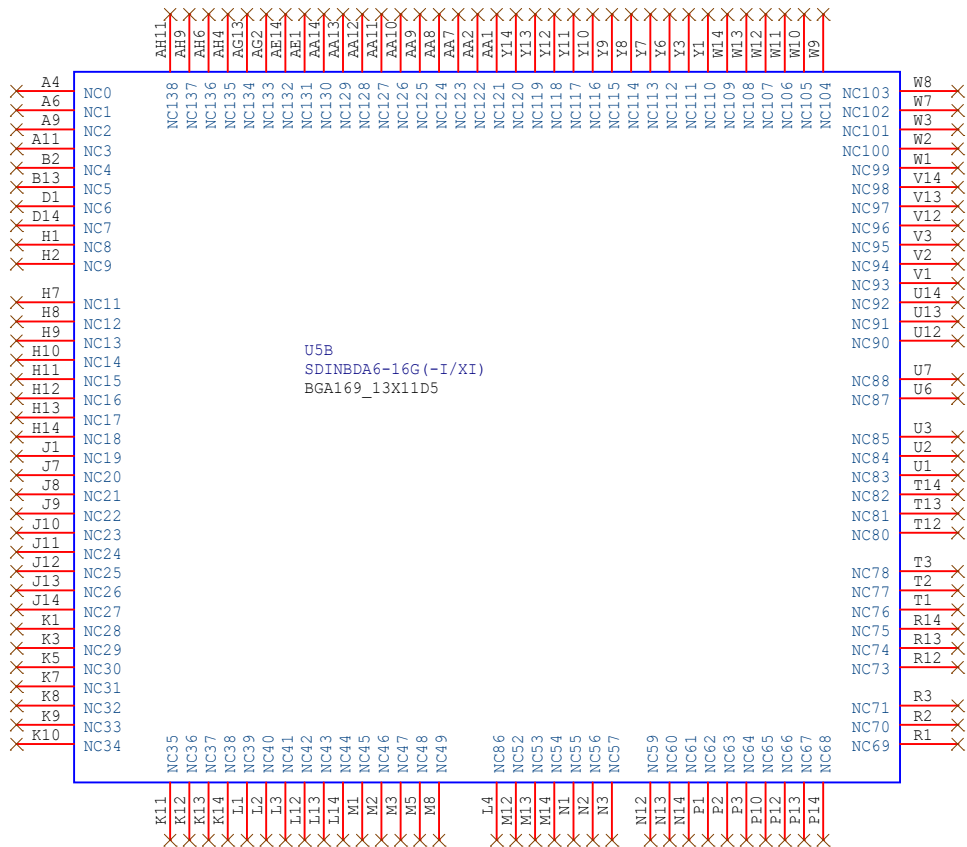
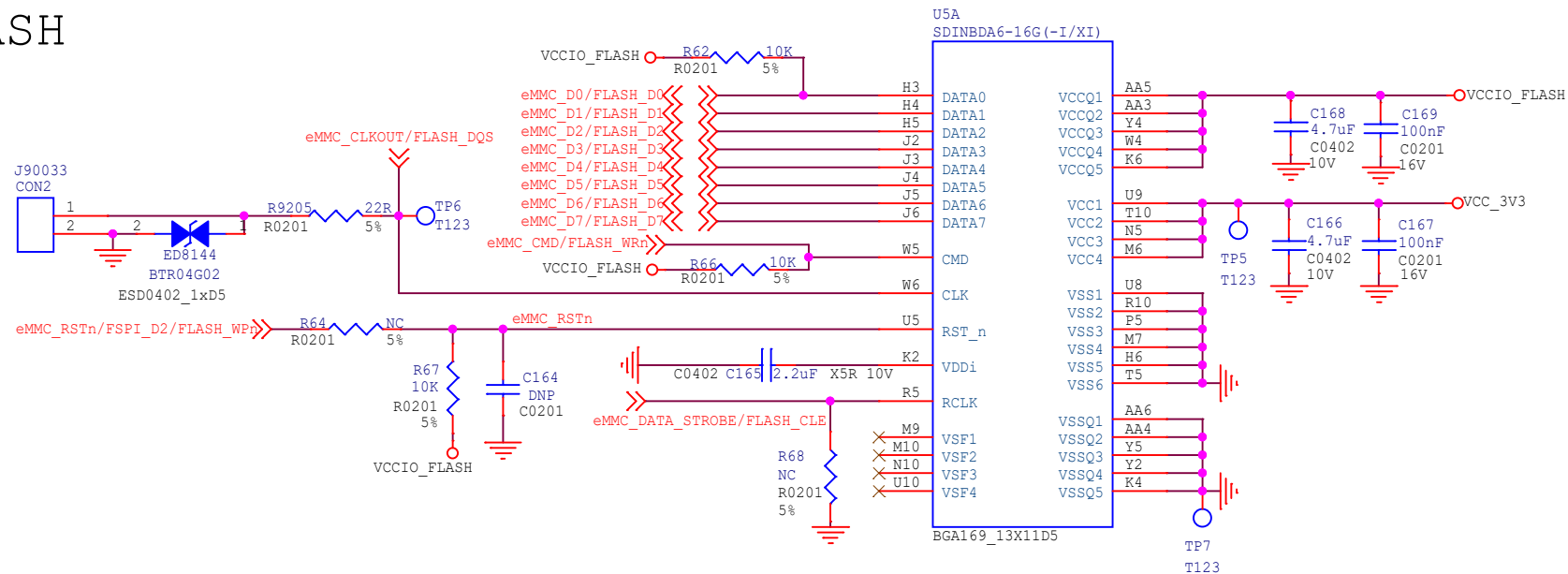
RK3566_H (VCCIO1 Domain)





Size	Title:	ROCK3 Compute Module	REV
A3	Page Name:	LPDDR4X_1x32Bit_200P	1.321A
Date:	Thursday, February 16, 2023	Sheet	15 of 23

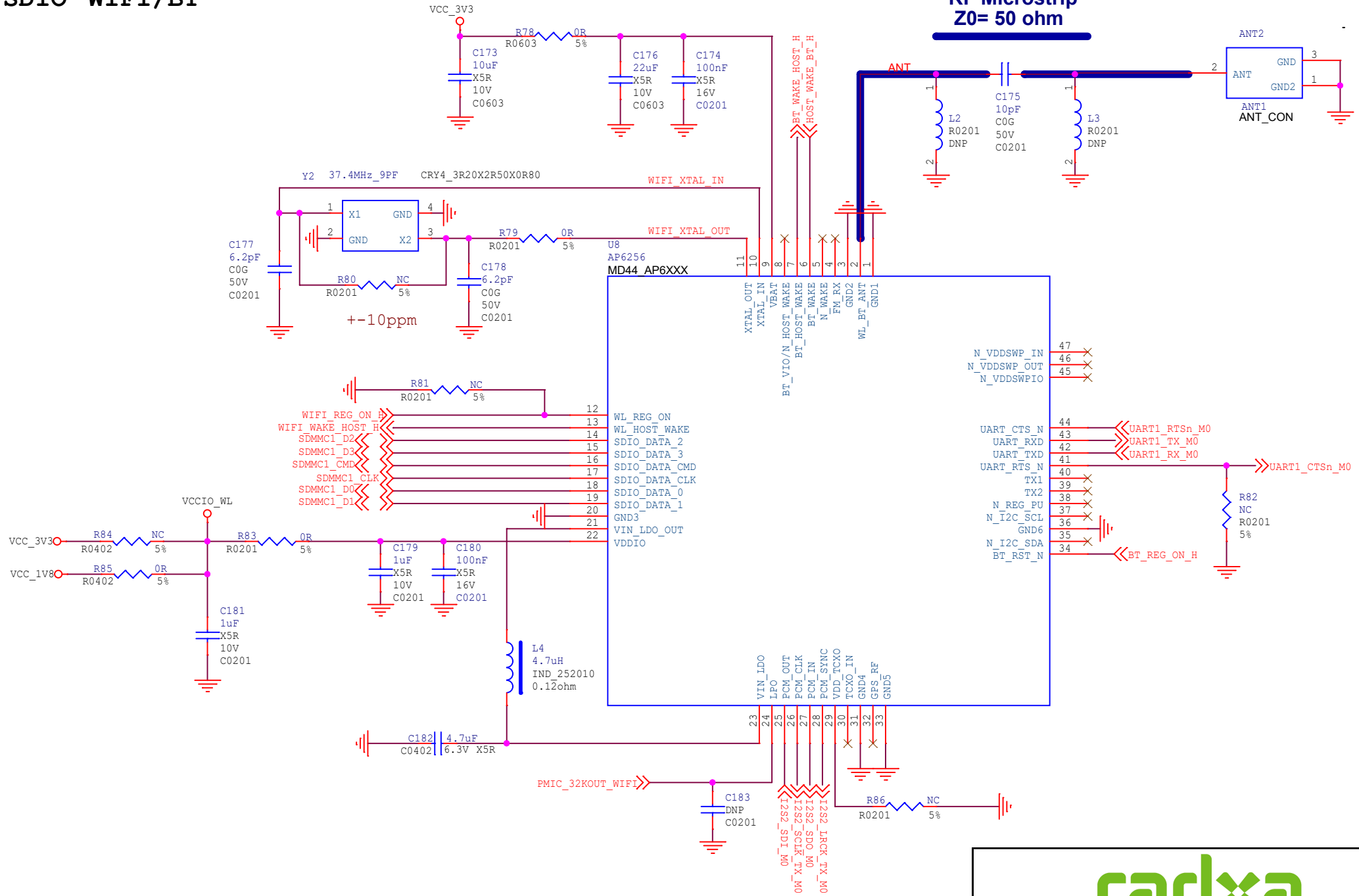
eMMC FLASH



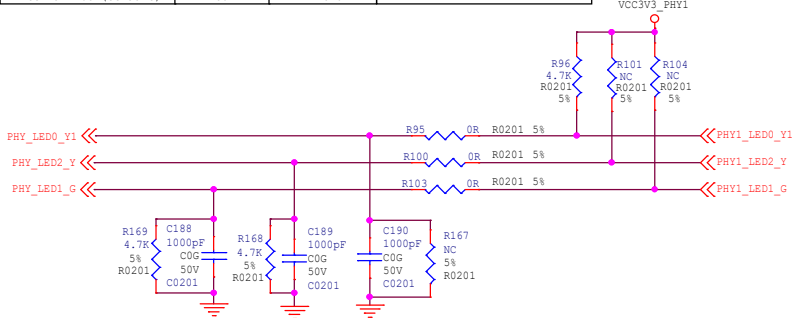
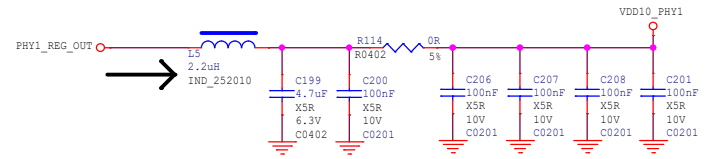
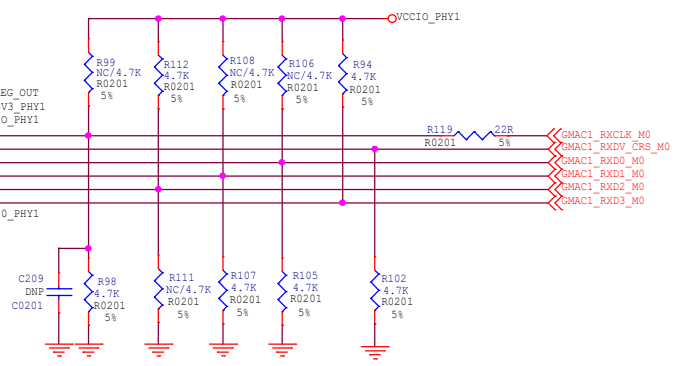
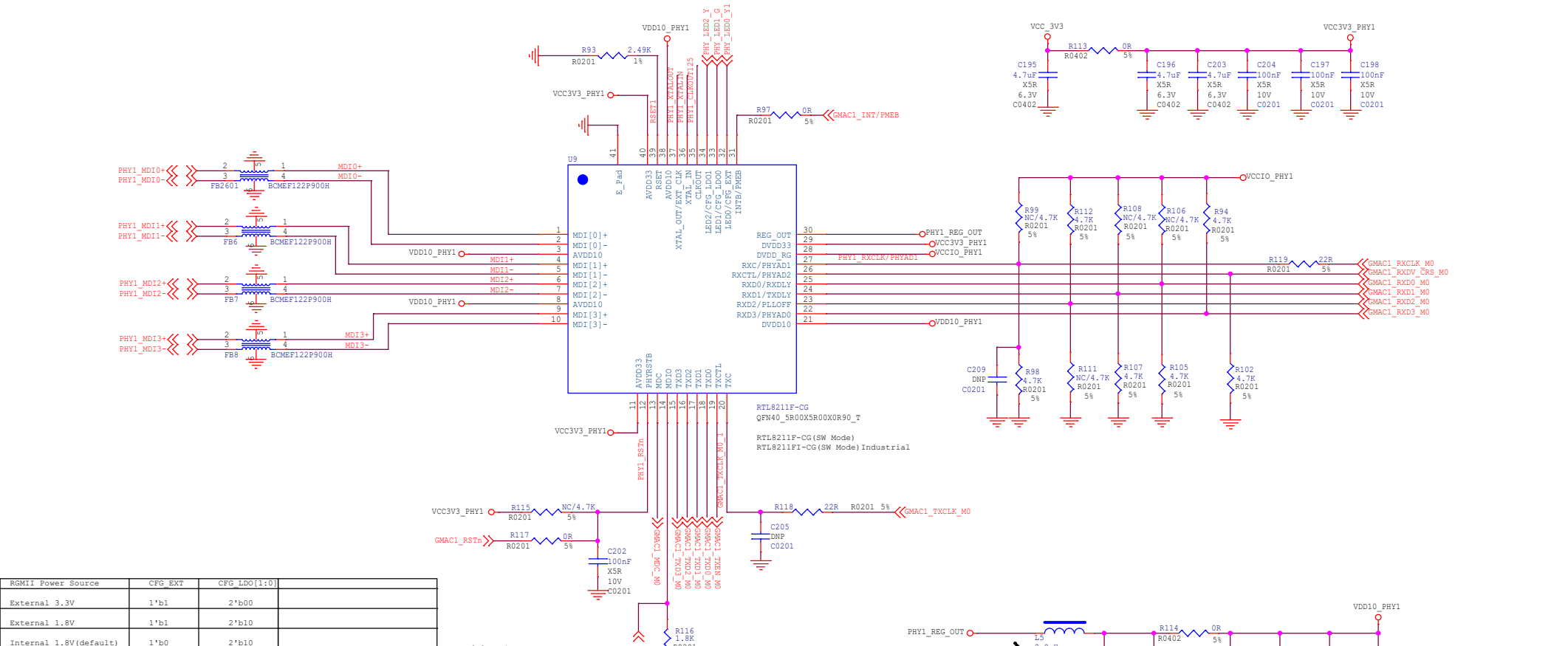
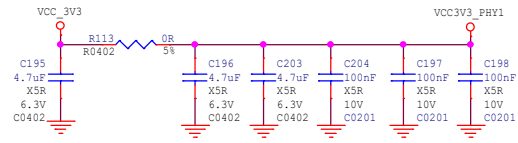
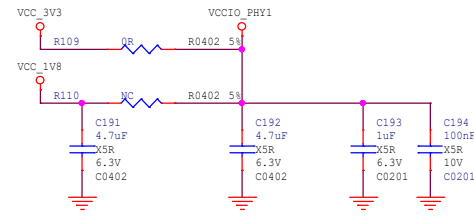
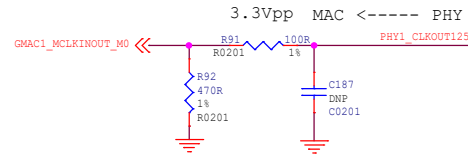
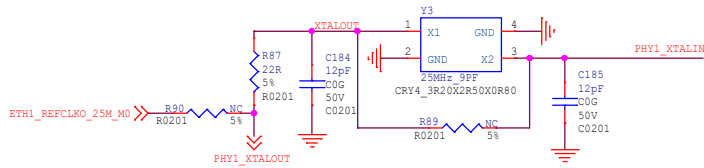
Size	Title: ROCK3 Compute Module	REV
A4	Page Name: Memory-eMMC	1.321A
Date: Thursday, February 16, 2023 Sheet 16 of 23		

SDIO WIFI/BT

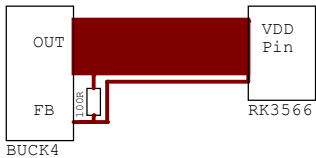
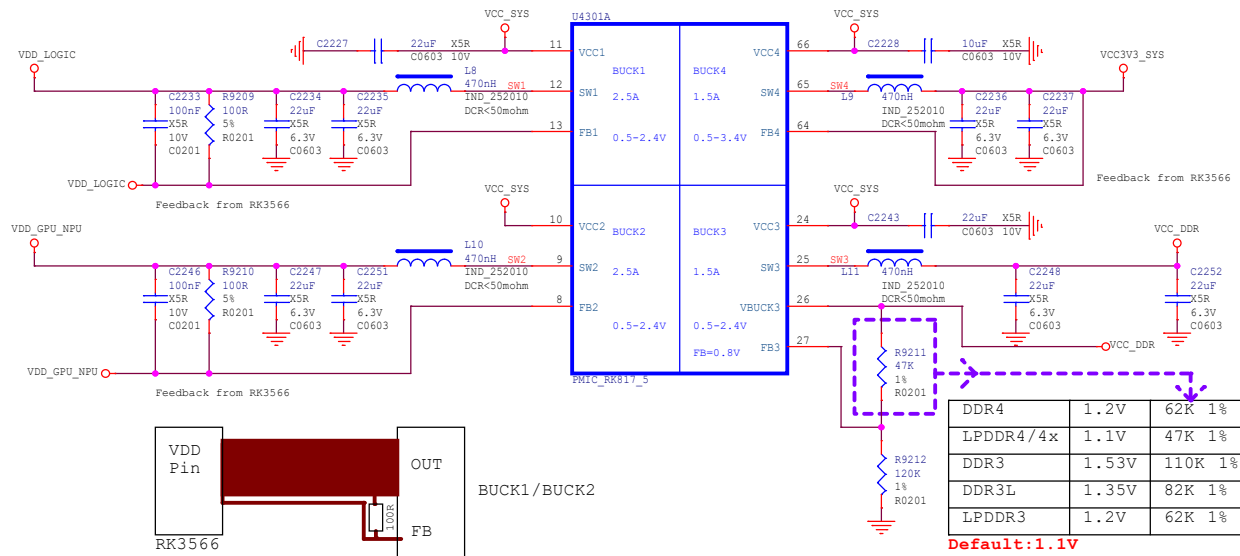
RF Microstrip
Z0= 50 ohm



Size	Title: ROCK3 Compute Module	REV
A4	Page Name: WIFI/BT-SDIO	1.321A
Date: Thursday, February 16, 2023	Sheet	17 of 23



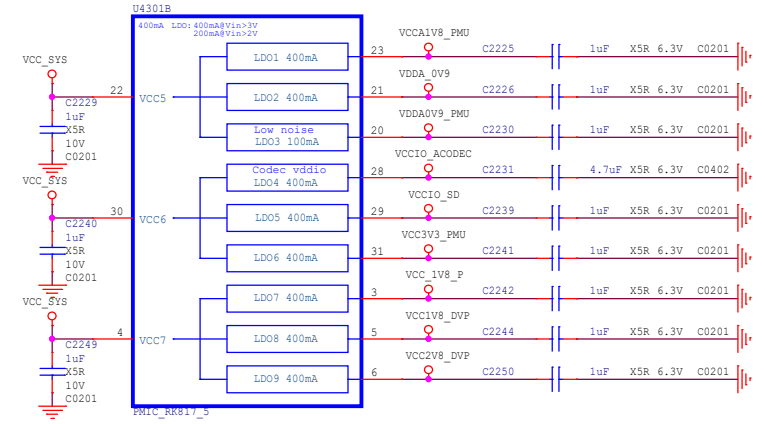
PMIC RK817 DCDC



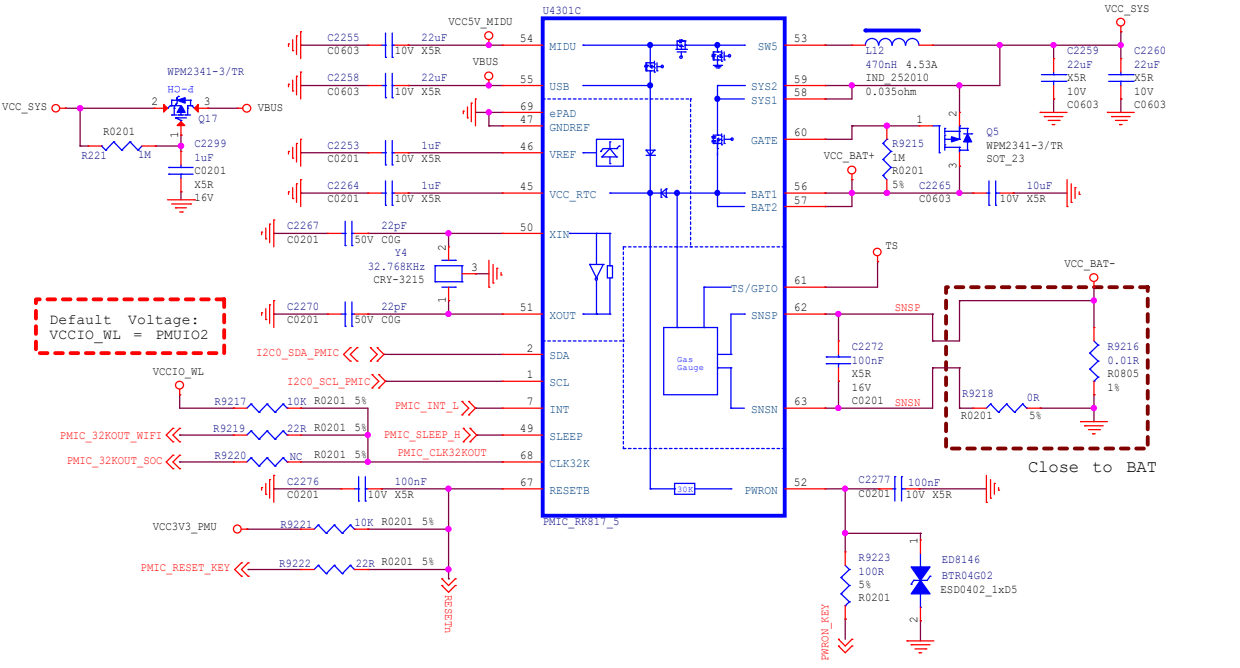
DDR4	1.2V	62K	1%
LPDDR4/4x	1.1V	47K	1%
DDR3	1.53V	110K	1%
DDR3L	1.35V	82K	1%
LPDDR3	1.2V	62K	1%

Default: 1.1V

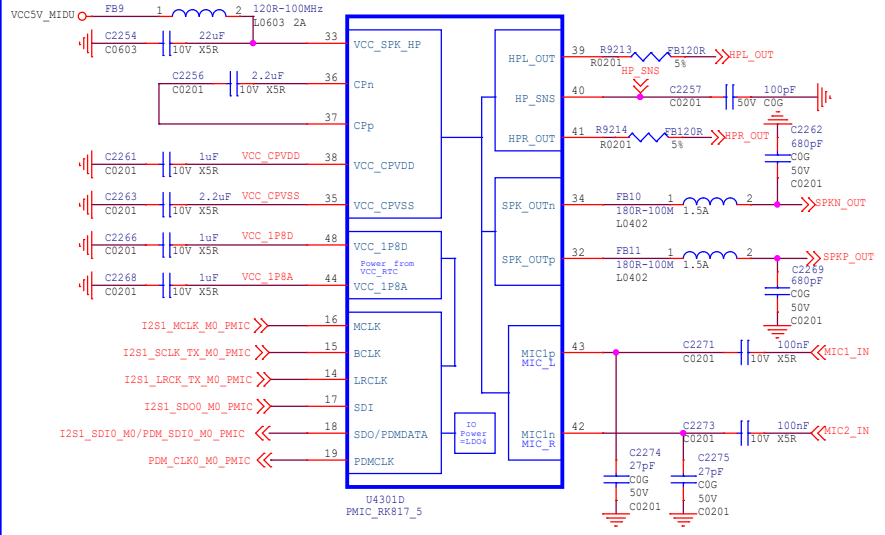
PMIC RK817 LDO



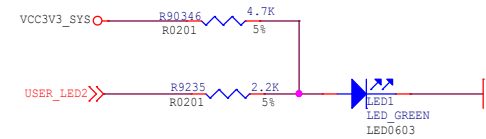
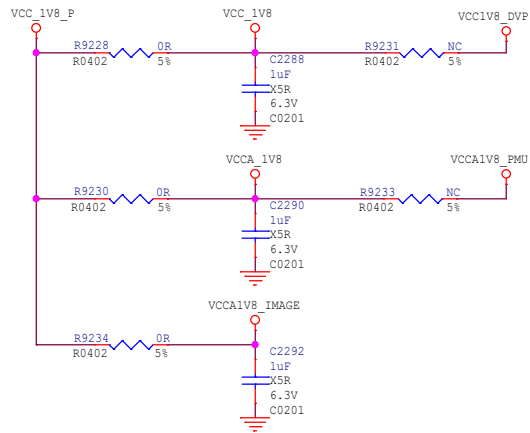
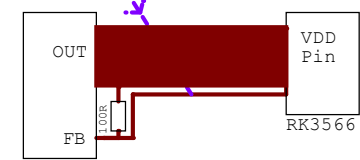
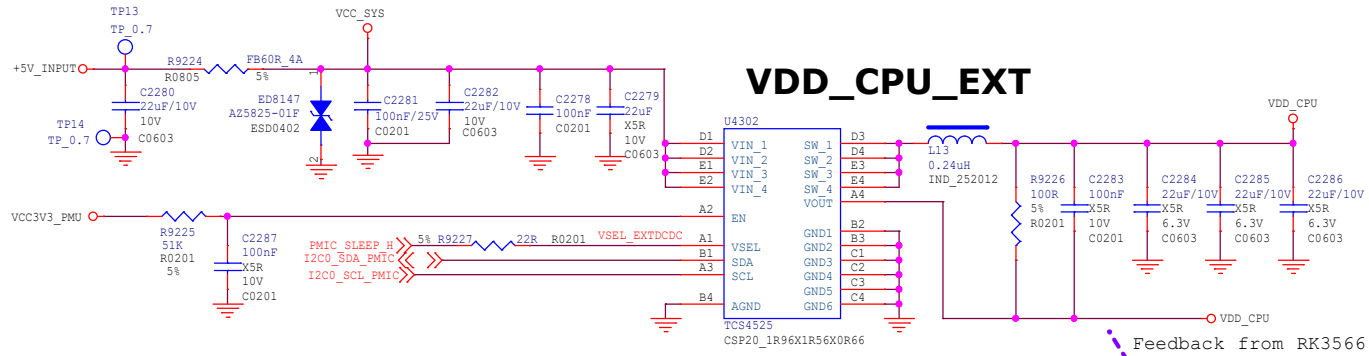
PMIC RK817 Management



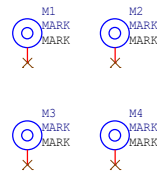
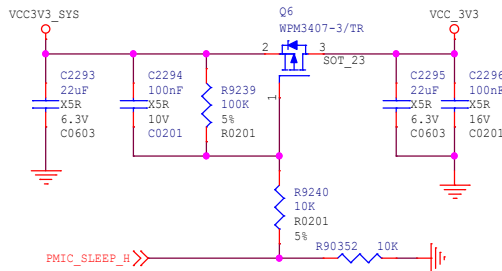
PMIC RK817 CODEC



Size	Title:	ROCK3 Compute Module	REV
A3	Page Name:	Power PMIC	1.321A
Date:	Thursday, February 16, 2023	Sheet	19 of 23



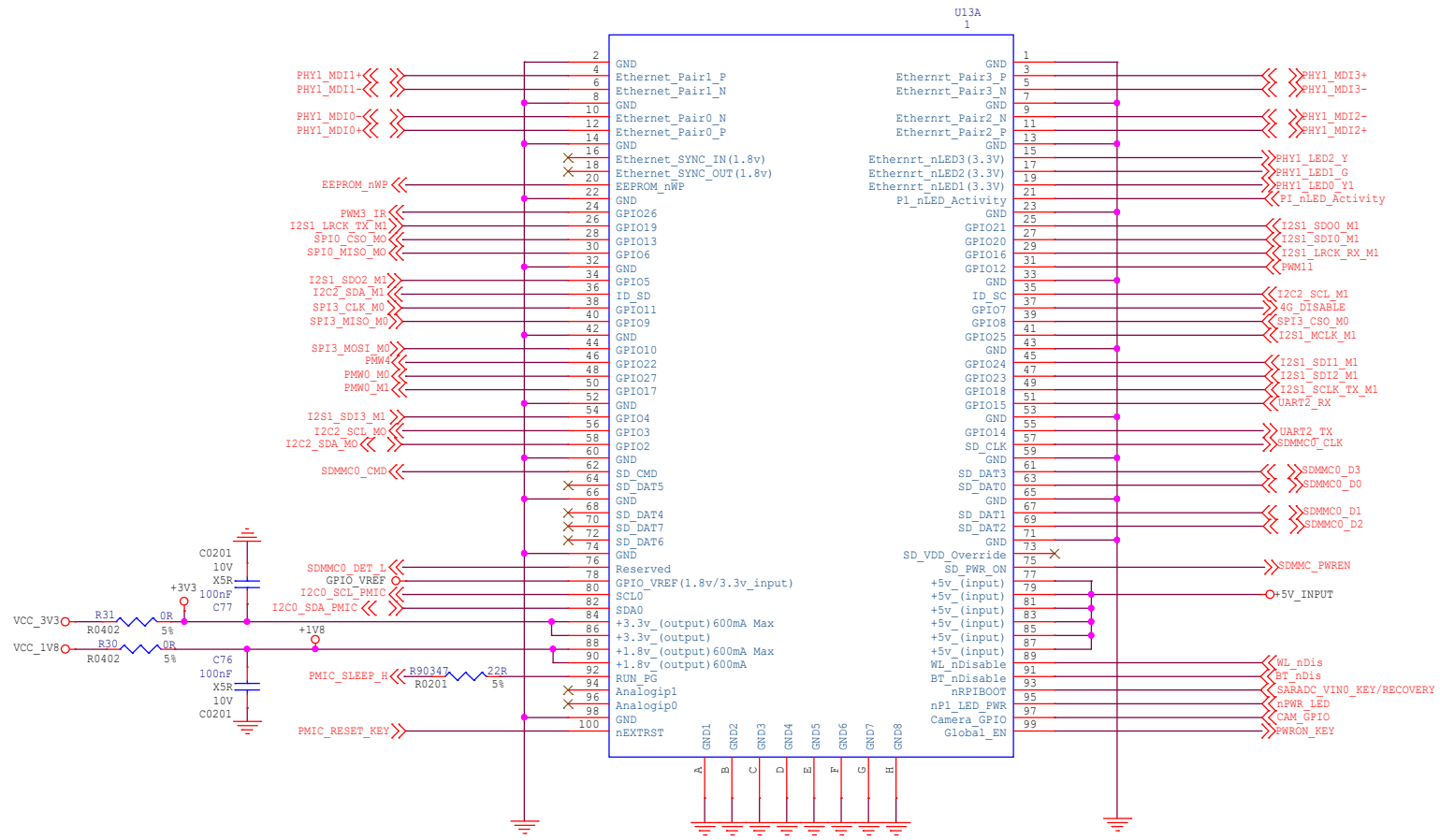
VCC_3V3 (Power OFF under SLEEP)

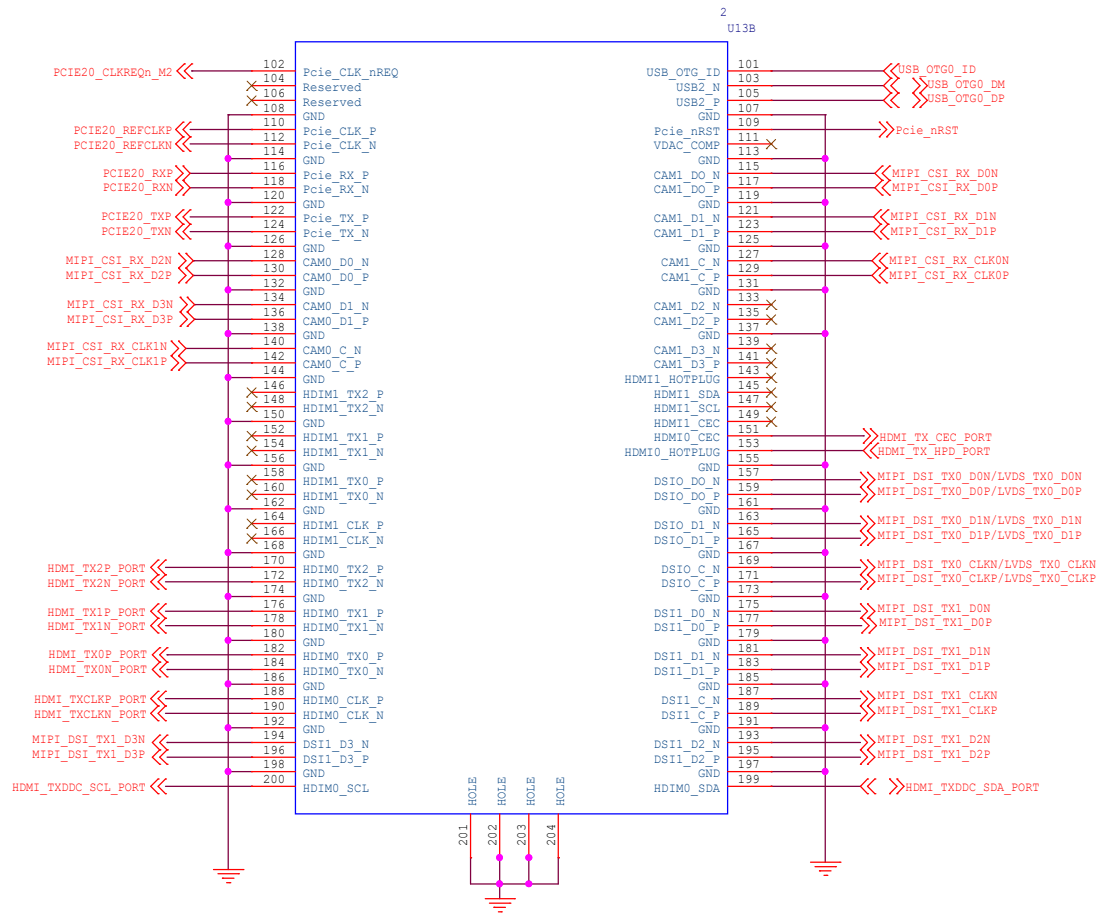


radxa		
Size	Title: ROCK3 Compute Module	REV
B	Page Name: Power IN	1.321A
Date: Thursday, February 16, 2023	Sheet 20	of 23

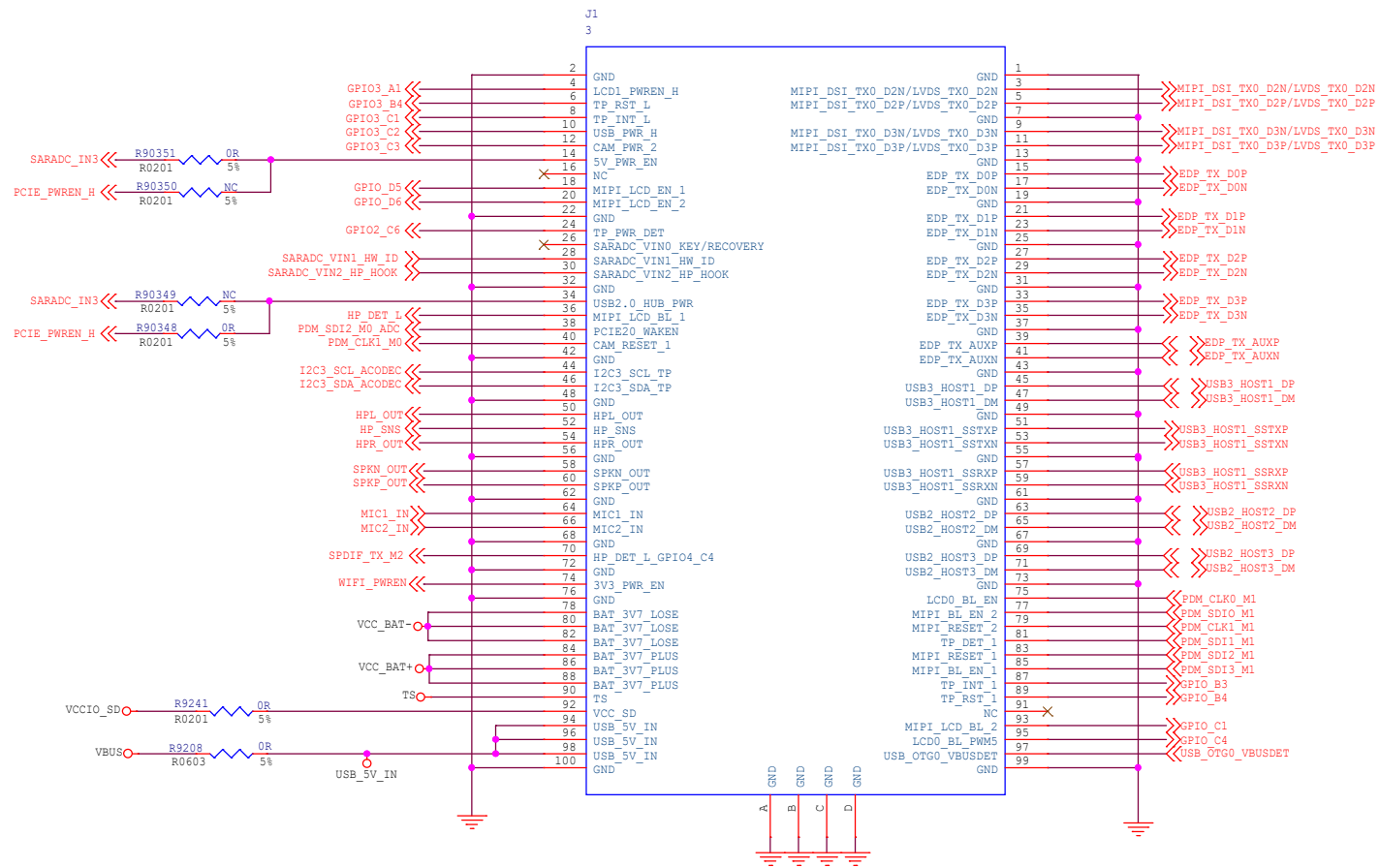



Size	Title: ROCK3 Compute Module	REV
B	Page Name: GPIO+VCC_Connector	1.321A
Date:	Thursday, February 16, 2023	Sheet 21 of 23





Size	Title: ROCK3 Compute Module	REV
B	Page Name: High Speed Serial Connector	1.321A
Date: Thursday, February 16, 2023	Sheet 22	of 23



		
Size	Title: ROCK3 Compute Module	REV
B	Page Name: IO_Connector	1.321A
Date: Thursday, February 16, 2023	Sheet 23 of 23	