



# Radxa CM3 IO Board schematic

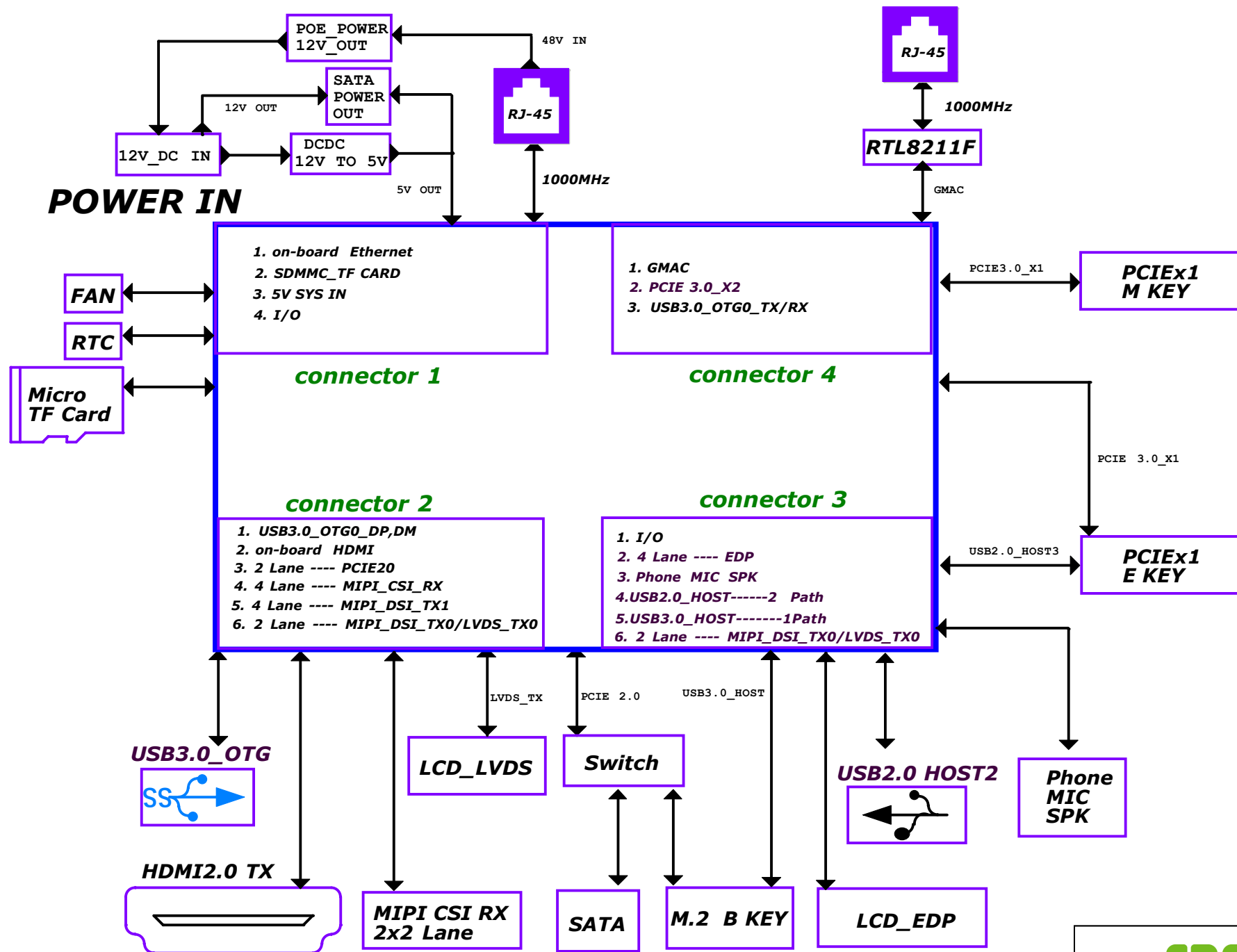
V1.3

# Table of Content

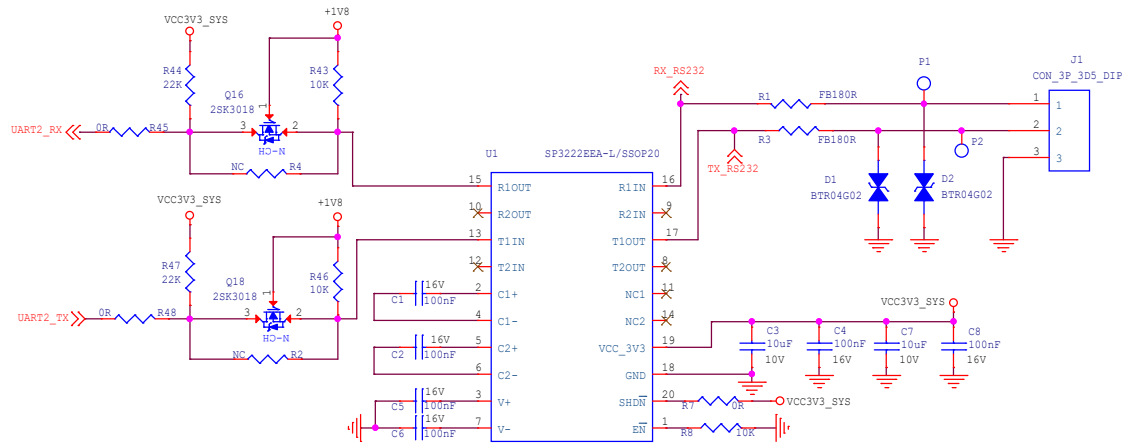
- 01.cover
- 02.Index and Notes
- 03.Block Diagram
- 04.RS232/RS485/CAN
- 05.M.2 B KEY
- 06.M.2 M KEY
- 07.M.2 E KEY
- 08.PCIE\_CLK
- 09.SATA\_SW
- 10.MIPI\_CSI\_RX
- 11.EDP\_LCD
- 12.MIPI\_LCD
- 13.HDMI/TF\_OUT
- 14.AUDIO/USB/KEY
- 15.Ethernet 1000M RJ45
- 16.Ethernet 1000MHz\_RTL8211
- 17.FAN\_RTC\_HOLE
- 18.Power DC\_IN
- 19.POE\_POWER
- 20.GPIO+VCC\_Connector
- 21.High Speed Serial\_Connector
- 22.IO\_Connector
- 23.PCIE3.0\_Connector



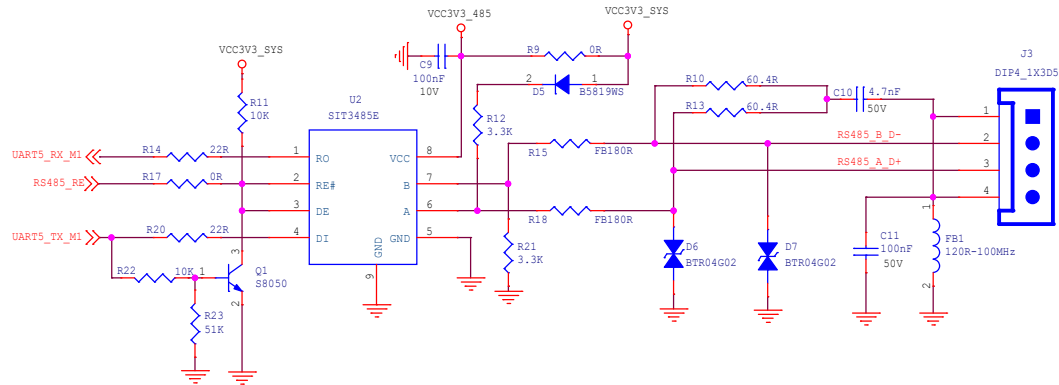
Size	Title: CM3I IO Board	REV
A4	Page Name: Index	V1.3
Date: Monday, November 27, 2023		
Sheet 02 of 23		



# RS232



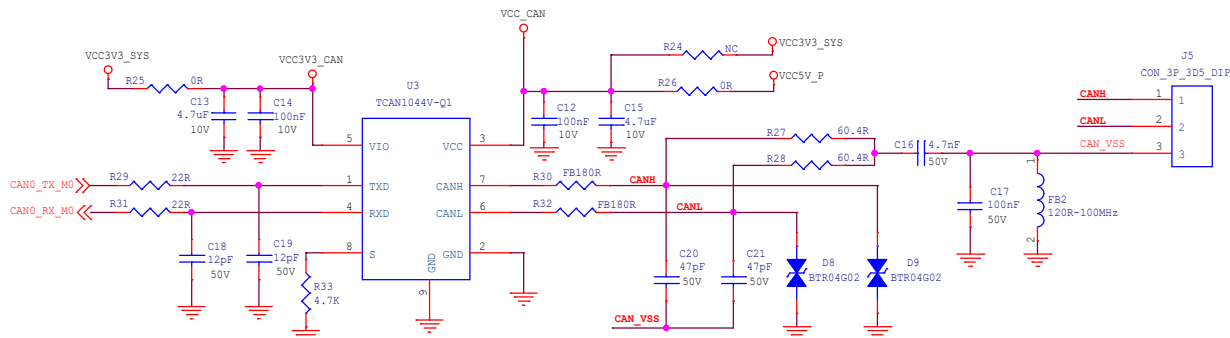
# RS485



# CAN

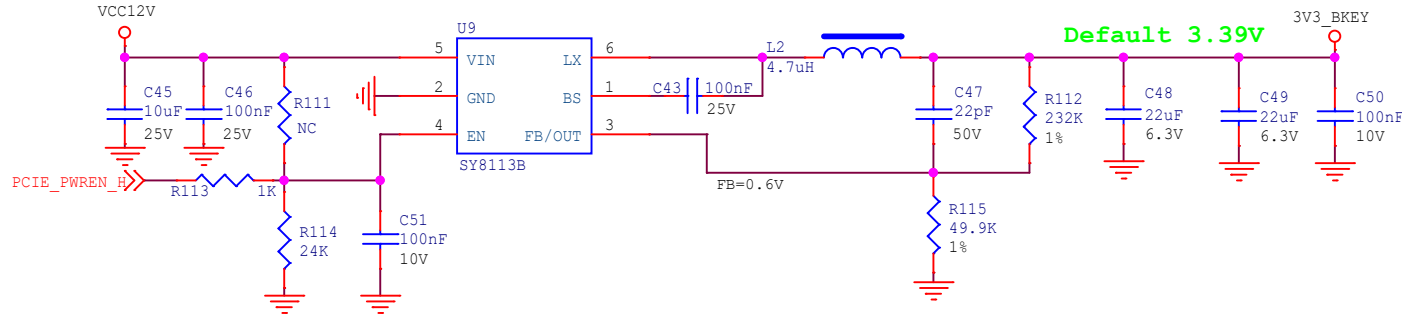
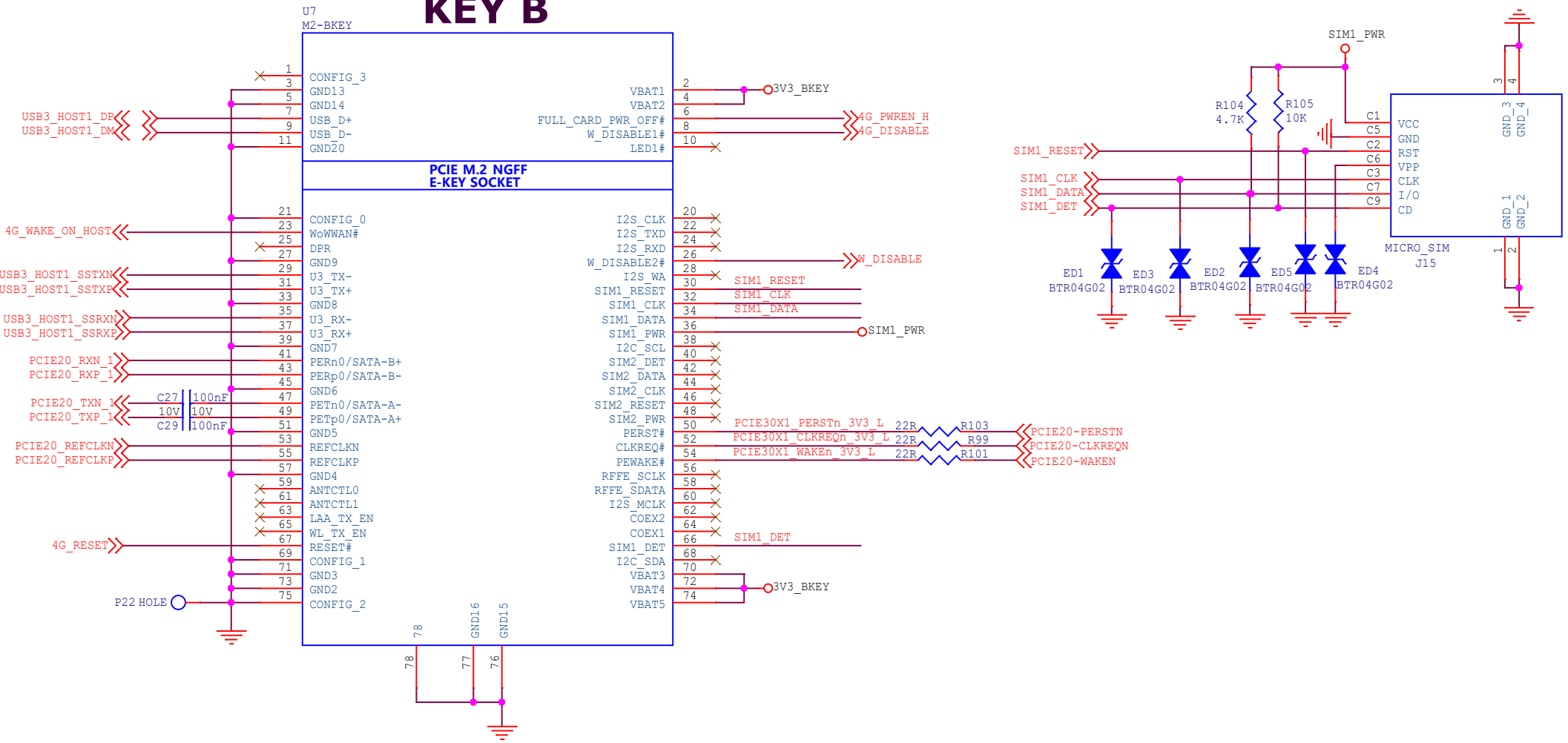
TCAN332G: PIN3=3.3V, PIN5, 8=NC

TCAN1044V-Q1: PIN3=5V, PIN5=VIO, PIN8=S

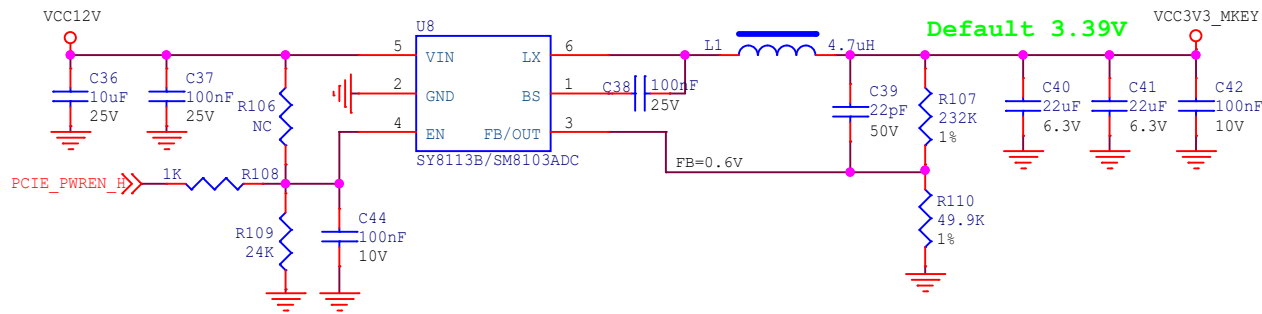
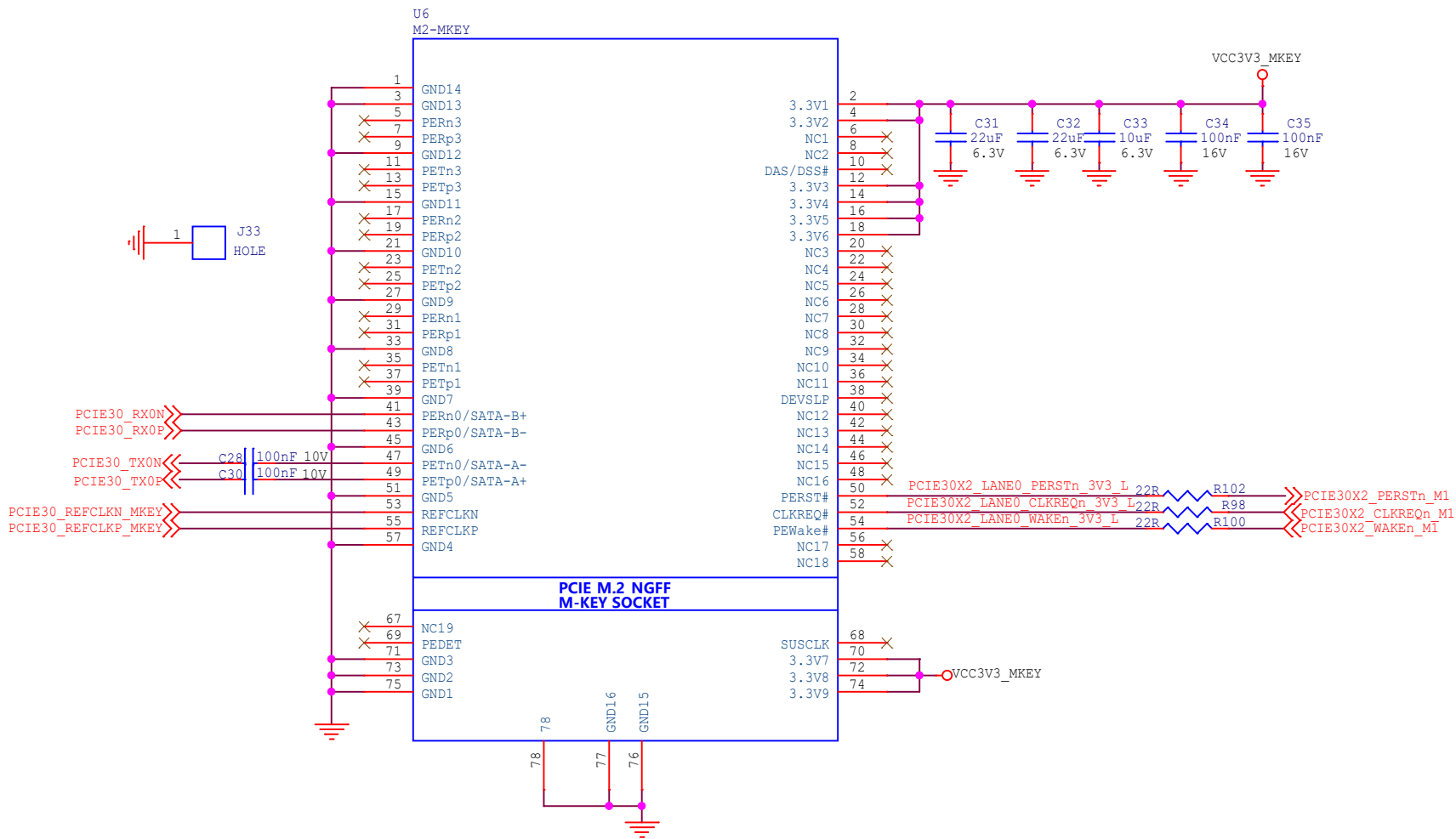


Size	Title:	CM3I IO Board	REV
A3	Page Name:	RS232/RS485/CAN	V1.3
Date:	Monday, November 27, 2023	Sheet	04 of 23

# KEY B

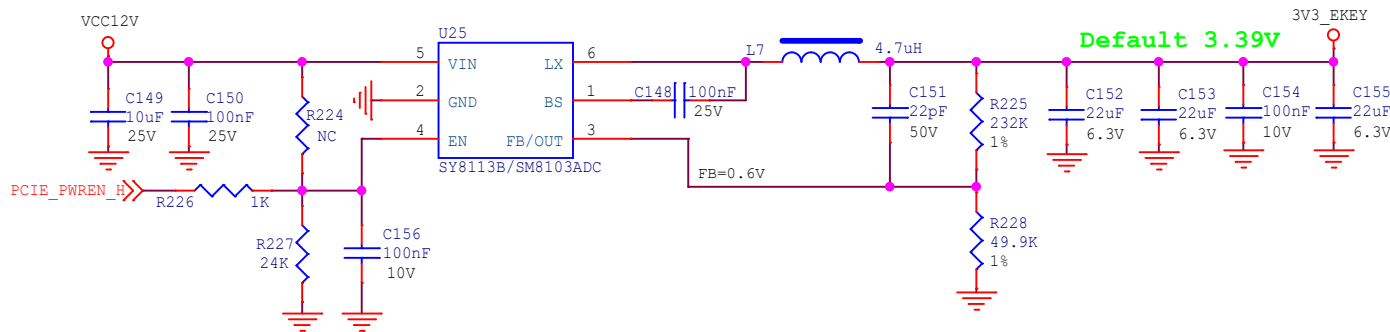
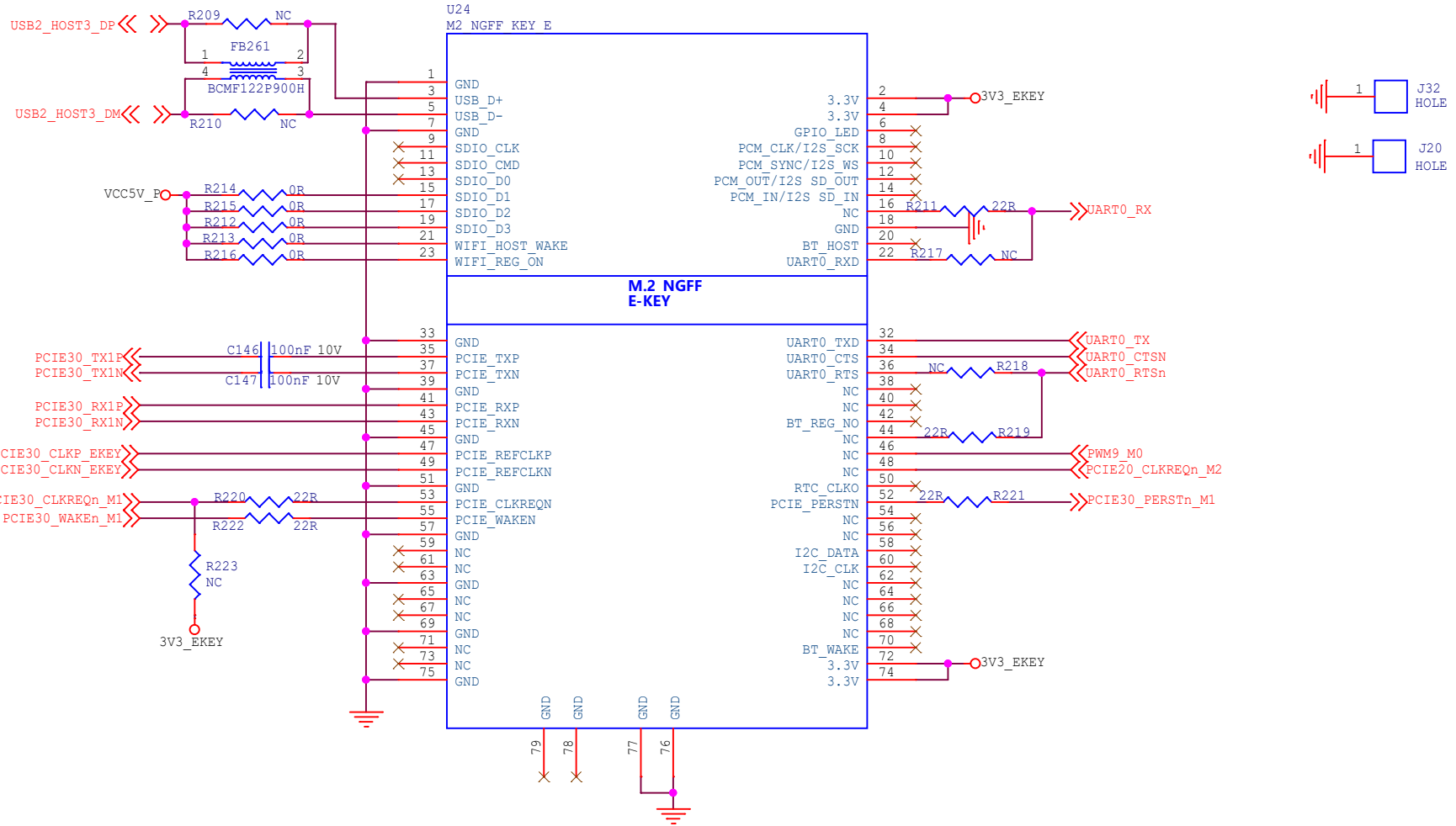


Size	Title:	CM3I IO Board	REV
A4	Page Name:	M.2 B KEY	V1.3
Date:	Monday, November 27, 2023	Sheet	05 of 23



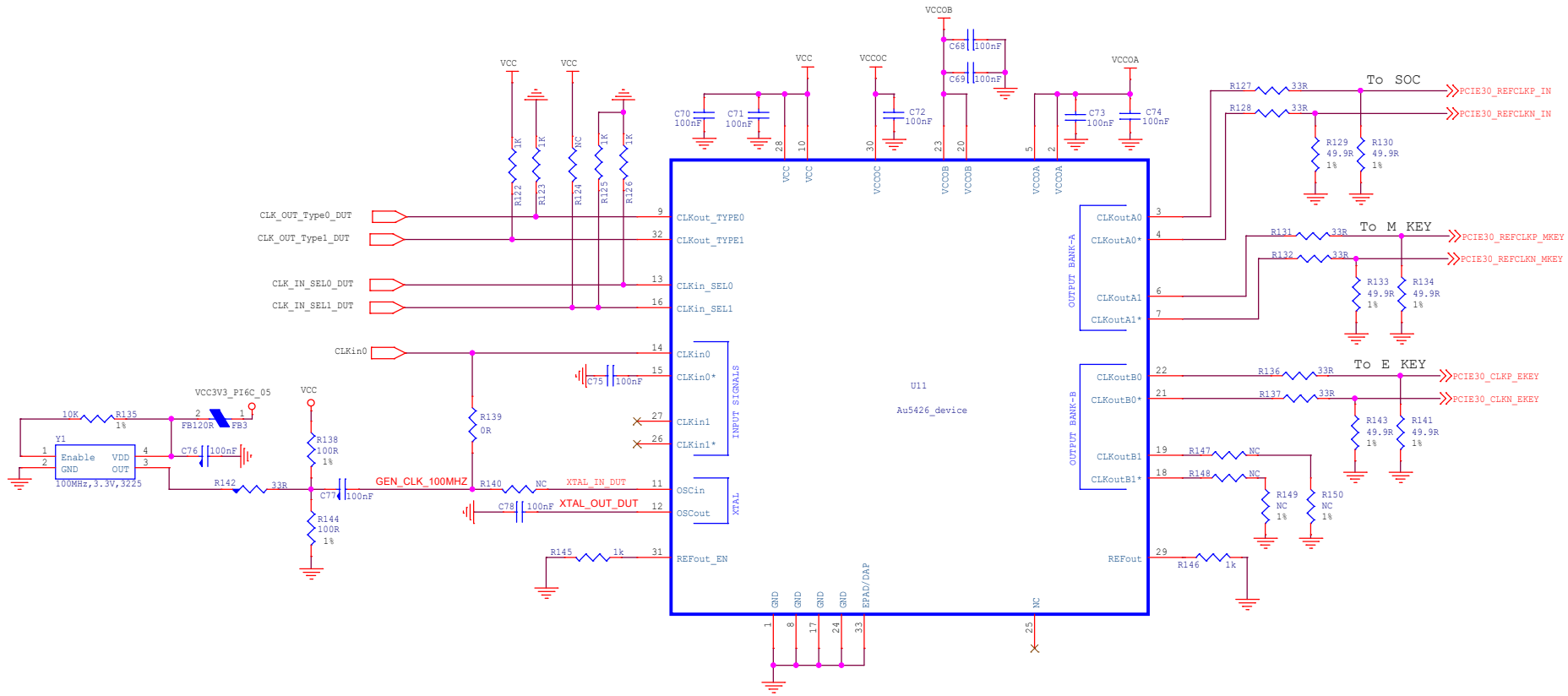
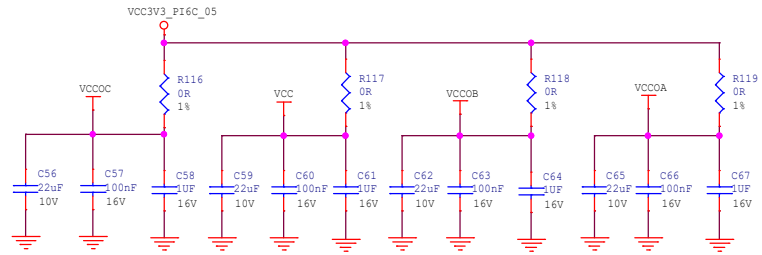
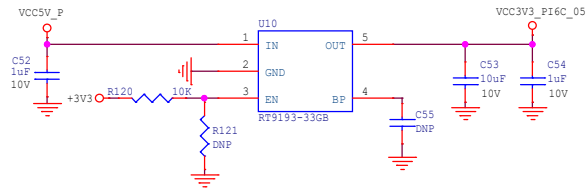
Size	Title:	CM31 IO Board	REV
A4	Page Name:	M.2 M KEY	V1.3
Date:		Monday, November 27, 2023	Sheet 06 of 23

# E KEY



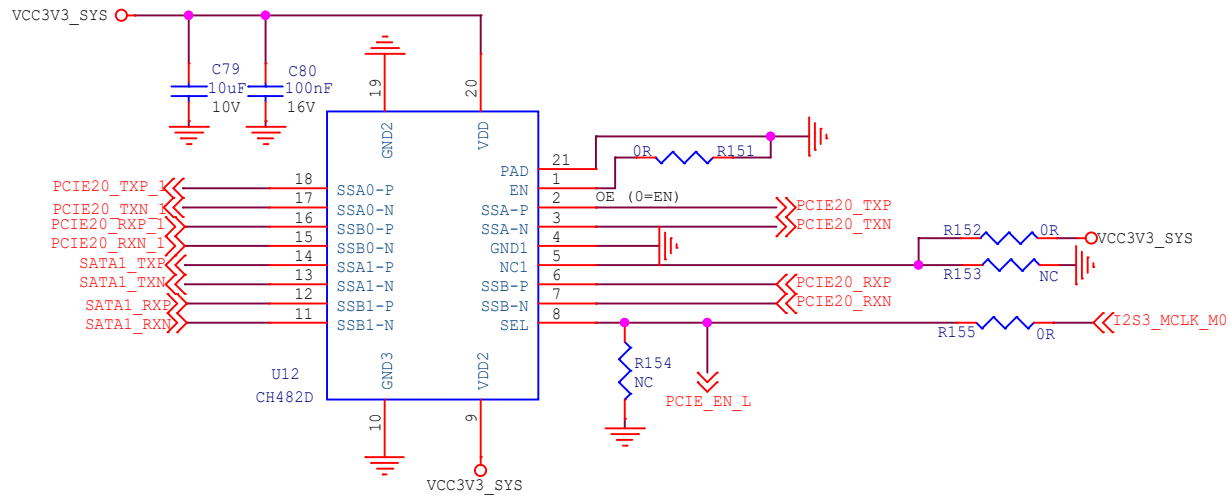
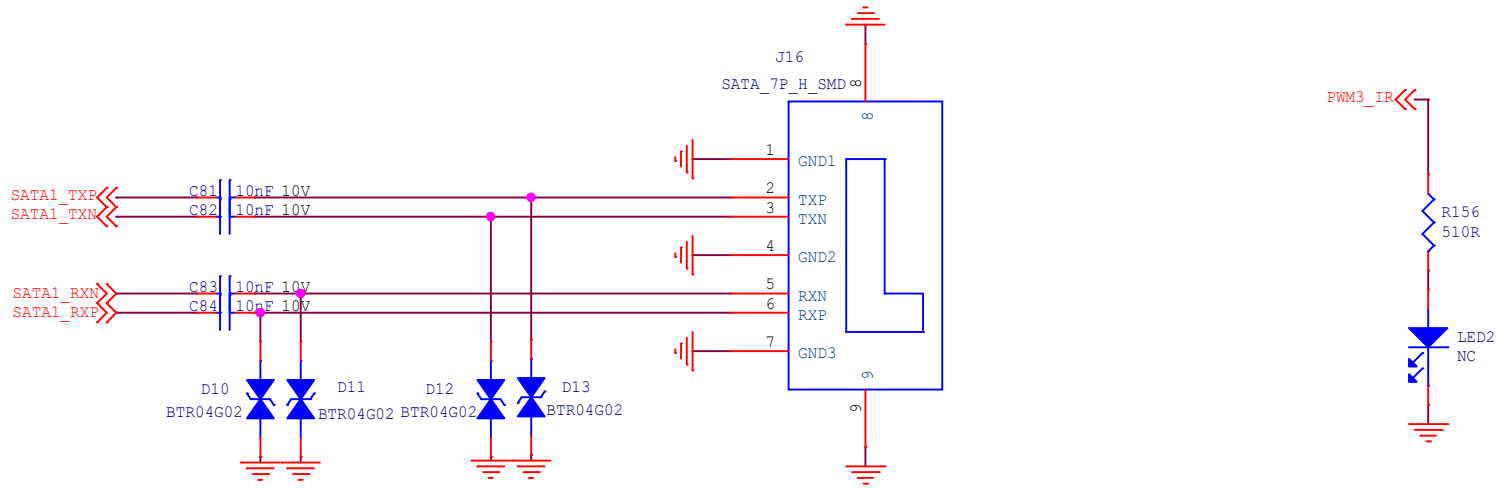
radxa

Size	Title:	CM3I IO Board	REV
A4	Page Name:	M.2 E KEY	V1.3
Date:		Monday, November 27, 2023	Sheet 07 of 23





# SATA3.0

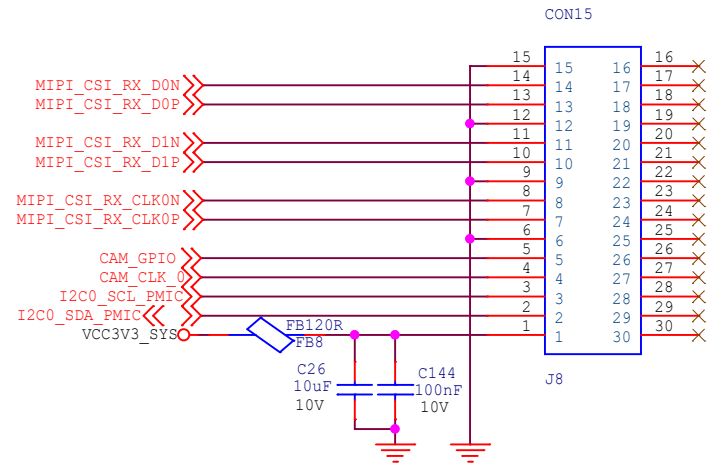


SEL (0=SW0, 1=SW1)

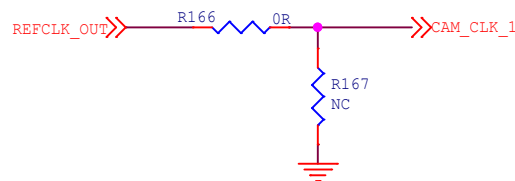
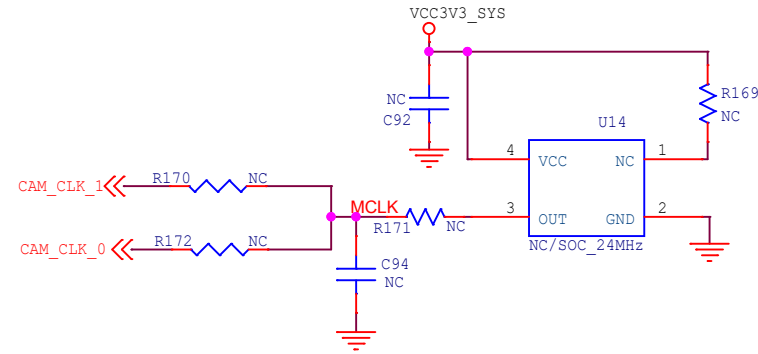
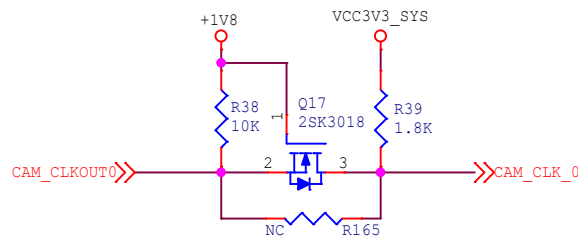
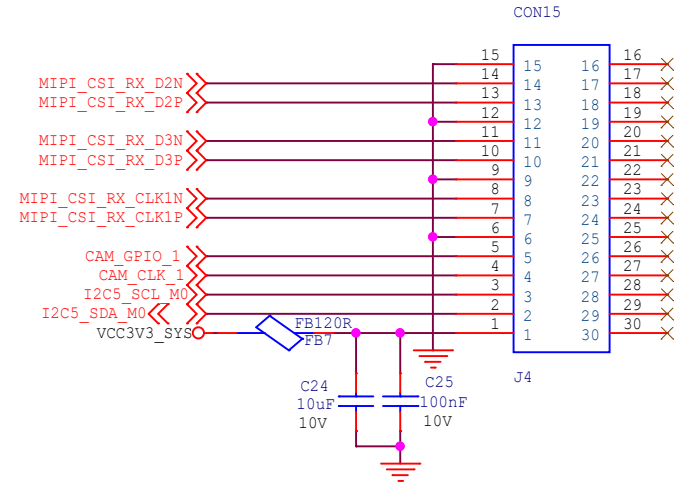


<b>radxa</b>		
Size	Title: CM3I IO Board	REV
A4	Page Name: SATA SW	V1.3
Date: Monday, November 27, 2023 Sheet 09 of 23		

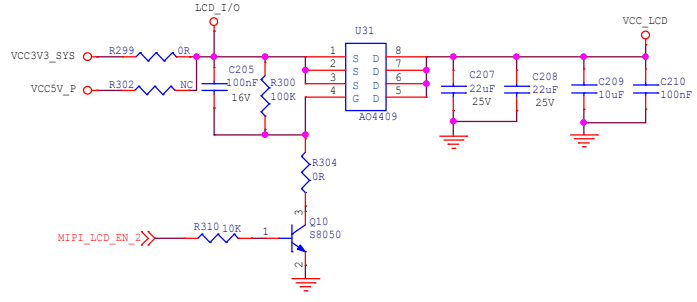
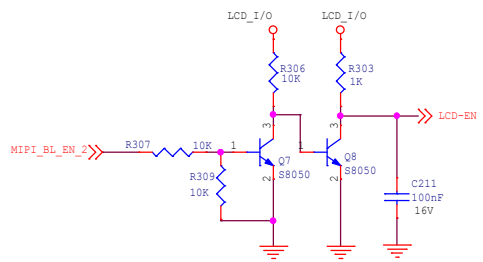
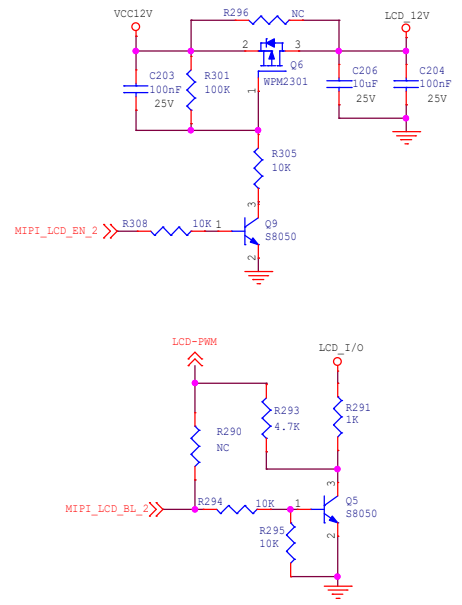
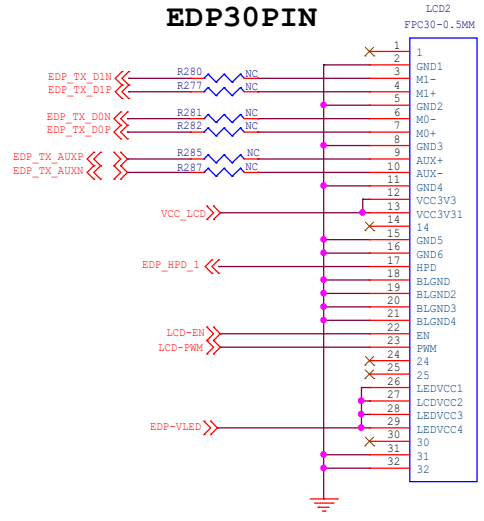
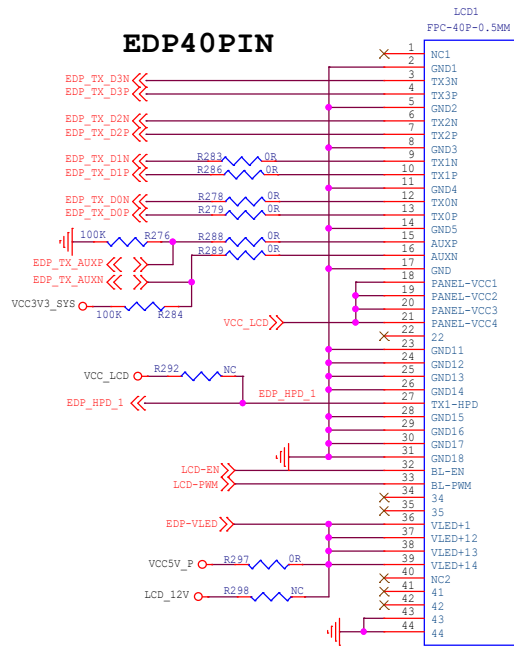
# MIPI\_CSI\_RX 2Lanes



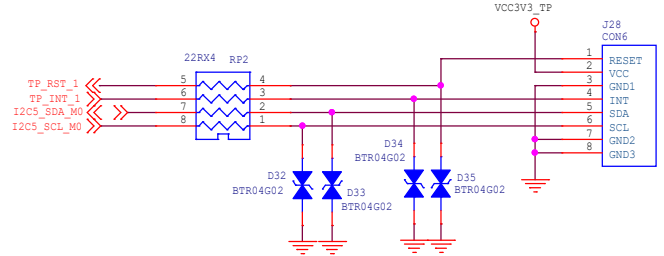
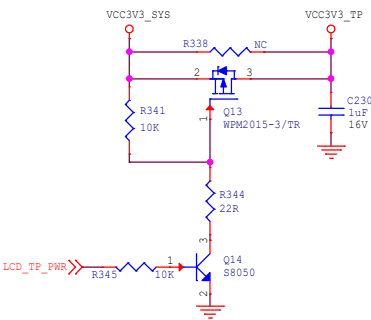
# MIPI\_CSI\_RX 2Lanes




<b>radxa</b>			
Size	Title:	CM3I IO Board	REV
A4	Page Name:	MIPI_CSI_RX	V1.3
Date:	Monday, November 27, 2023	Sheet	10 of 23



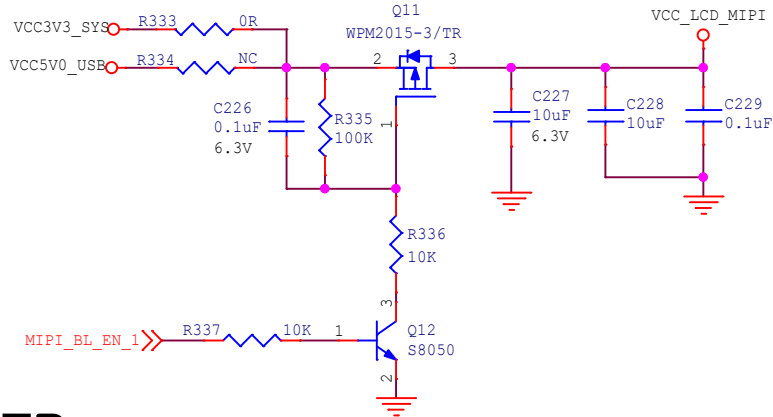
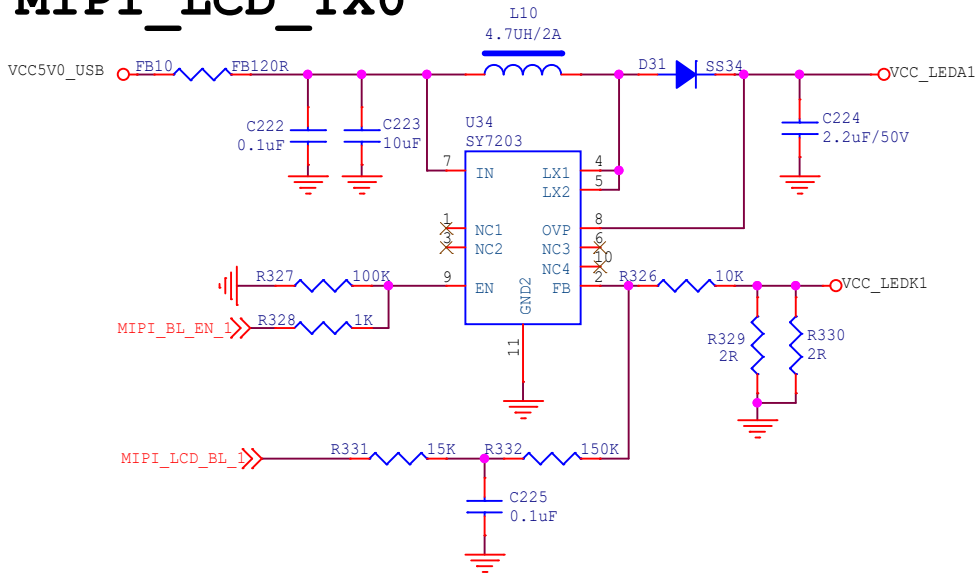
### LCD\_TP



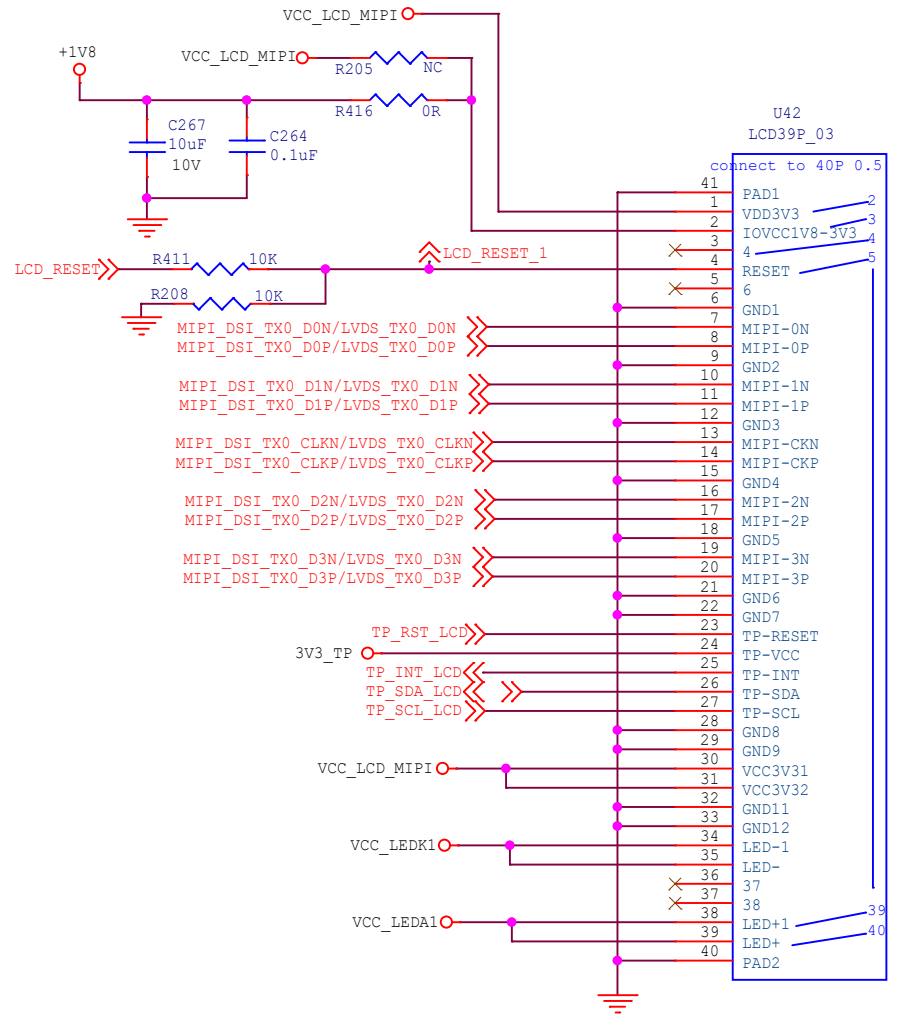
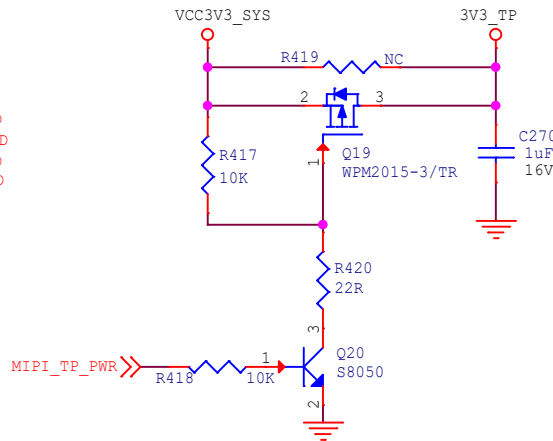
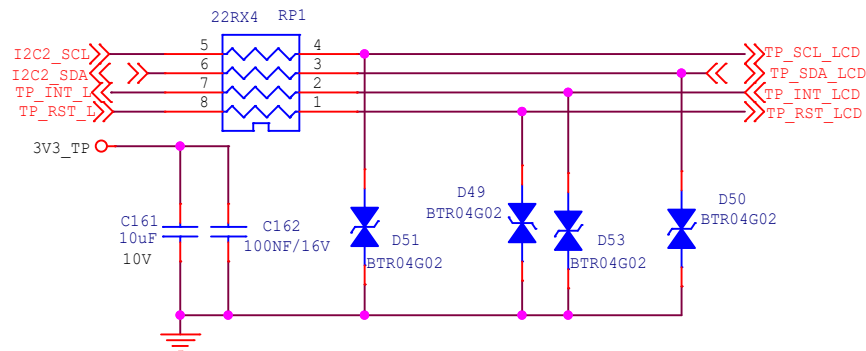


Size	Title: <b>CM3I IO Board</b>	REV
A3	Page Name: <b>EDP_LCD</b>	V1.3
Date: Monday, November 27, 2023	Sheet 11 of 23	

# MIPI\_LCD\_TX0



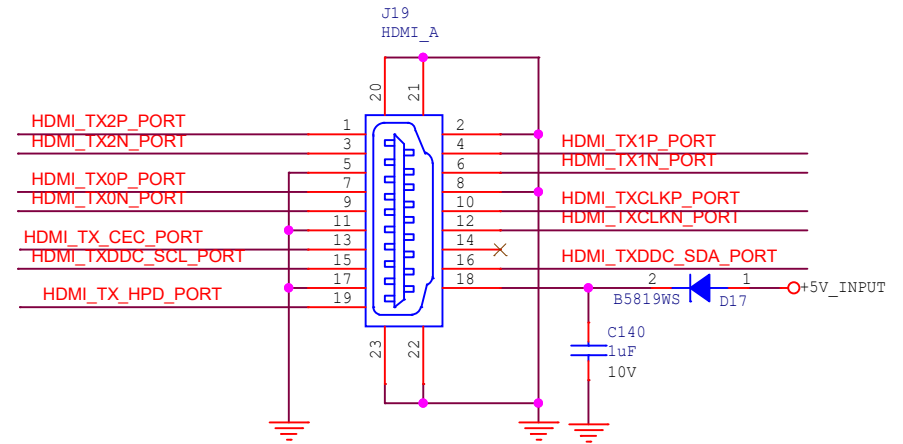
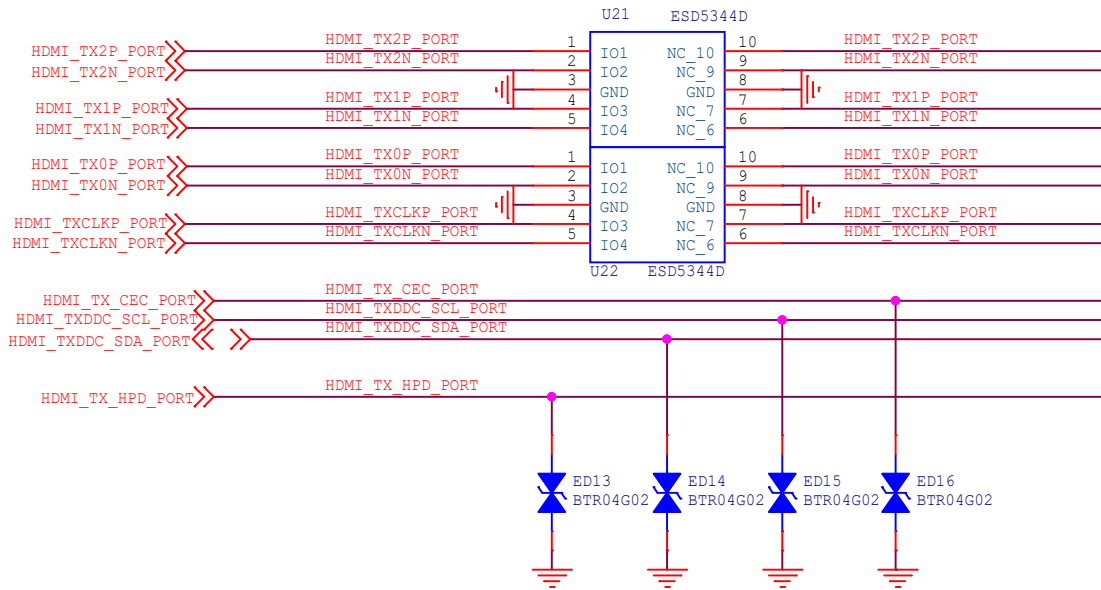
# LCD\_TP



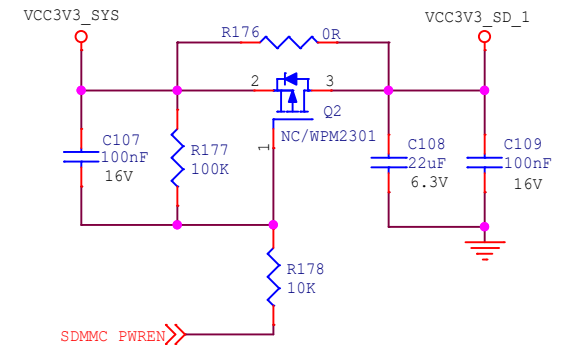
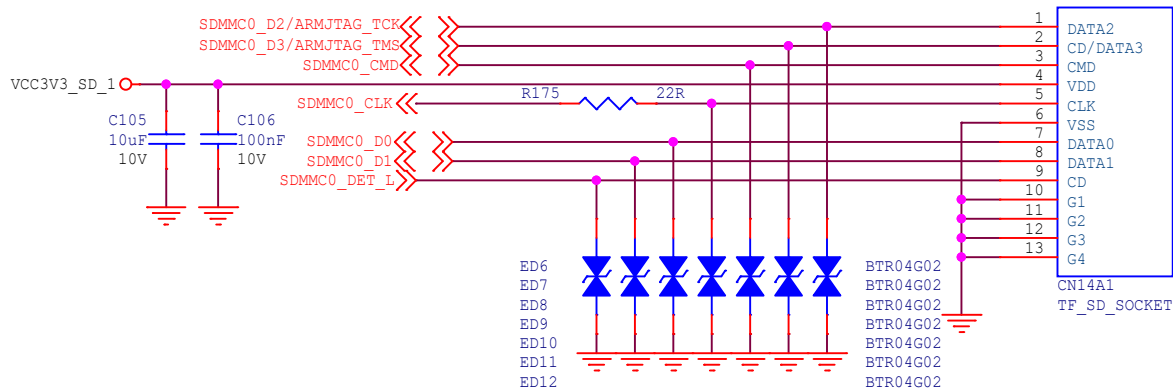
<b>radxa</b>		
Size	Title:	CM3I IO Board
A4	Page Name:	MIPI_LCD
Date:	Monday, November 27, 2023	Sheet 12 of 23
	REV	V1.3

# HDMI2.0 TX

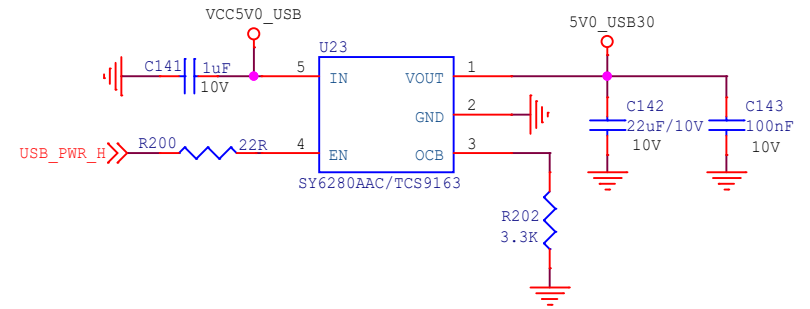
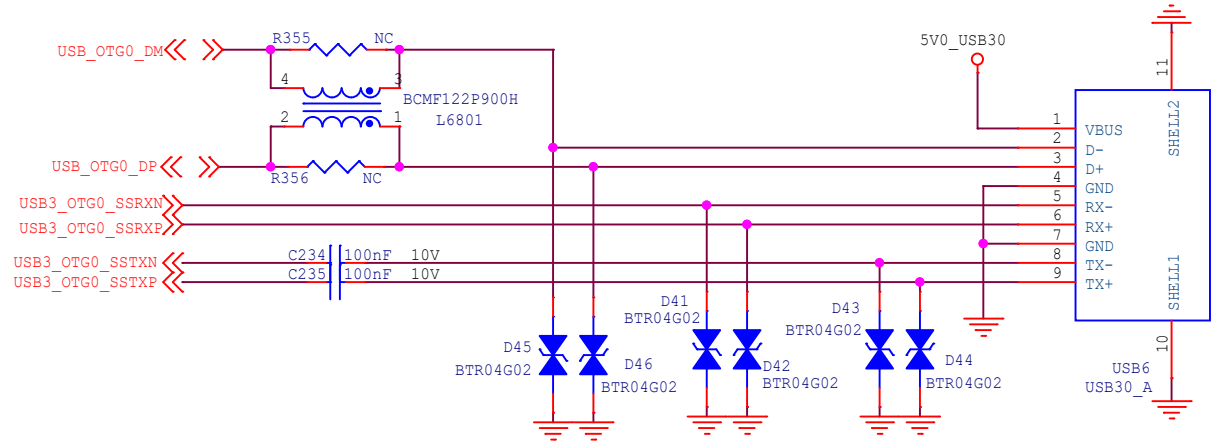
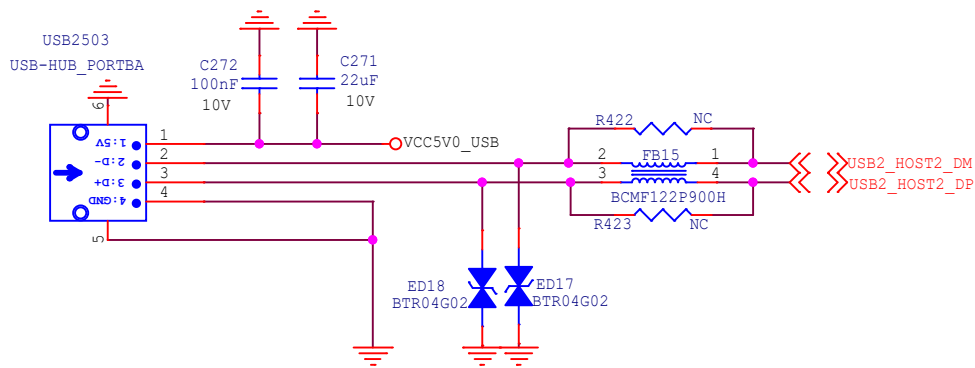
$C_j \leq 0.4\text{pF}$



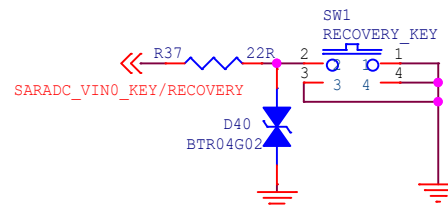
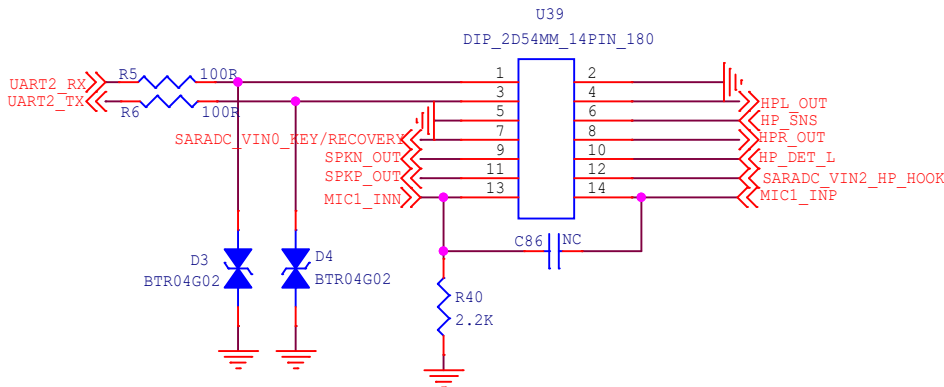
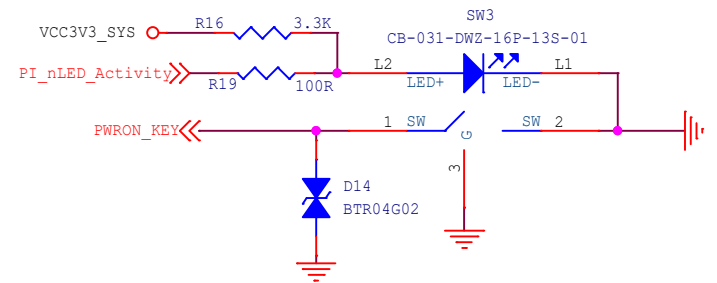
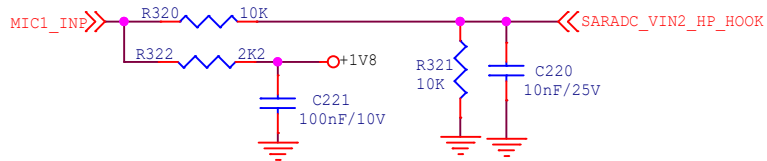
# MicroSD Card



# USB

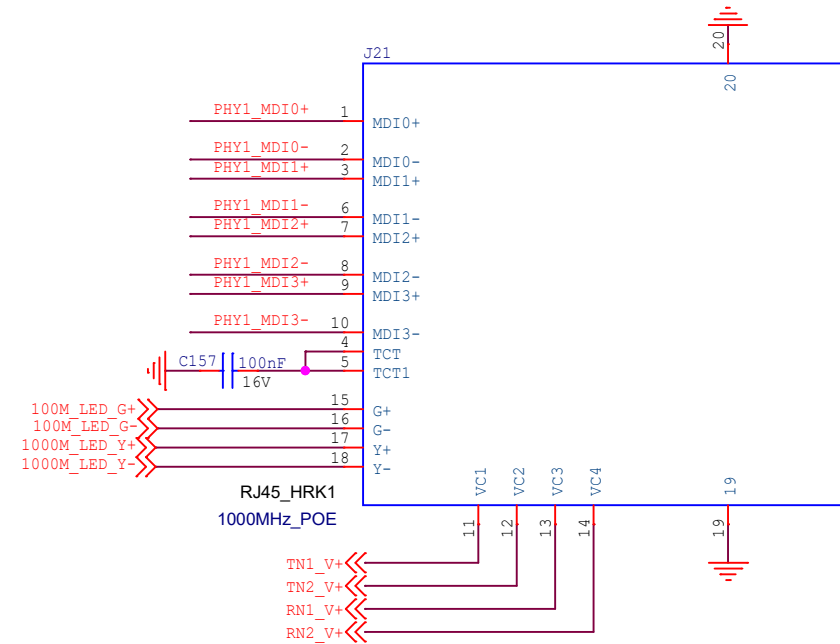
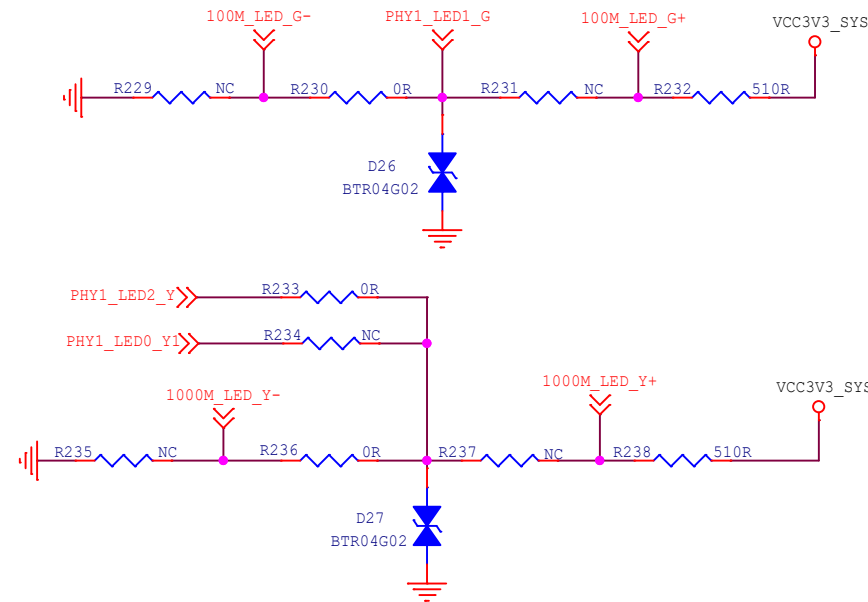
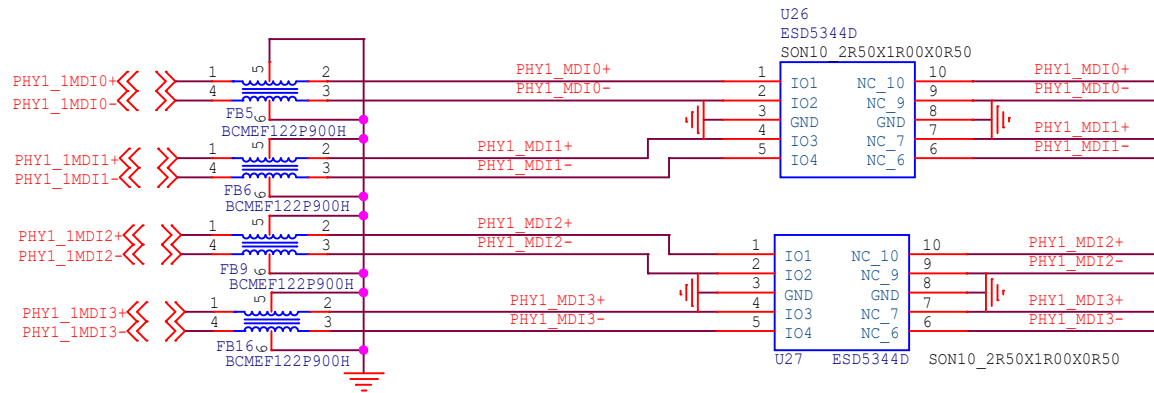


# AUDIO

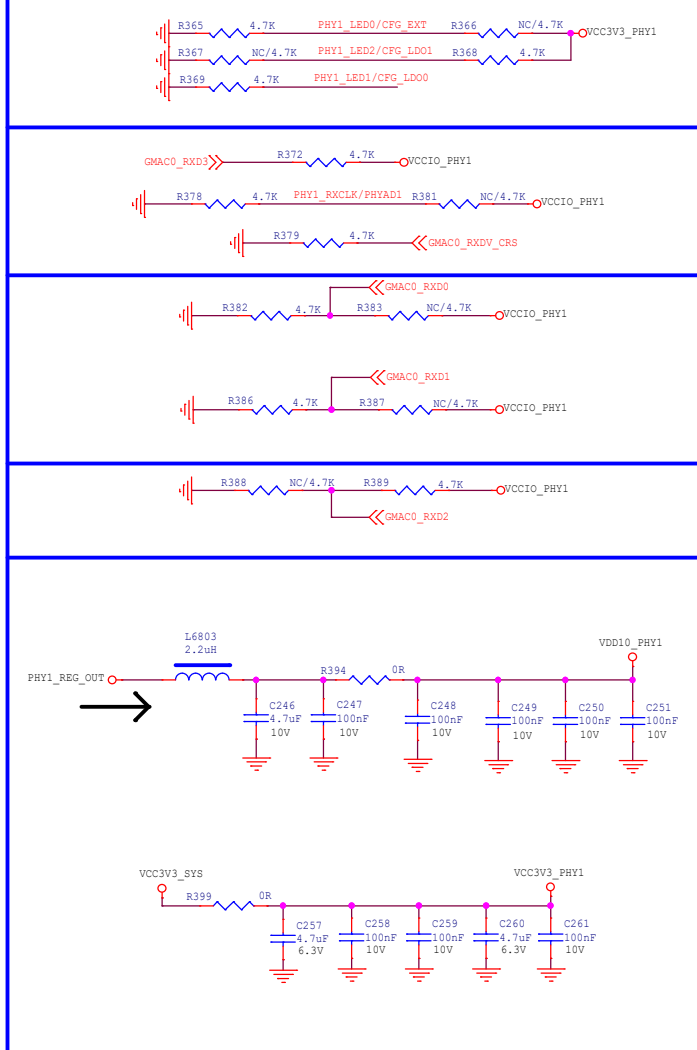
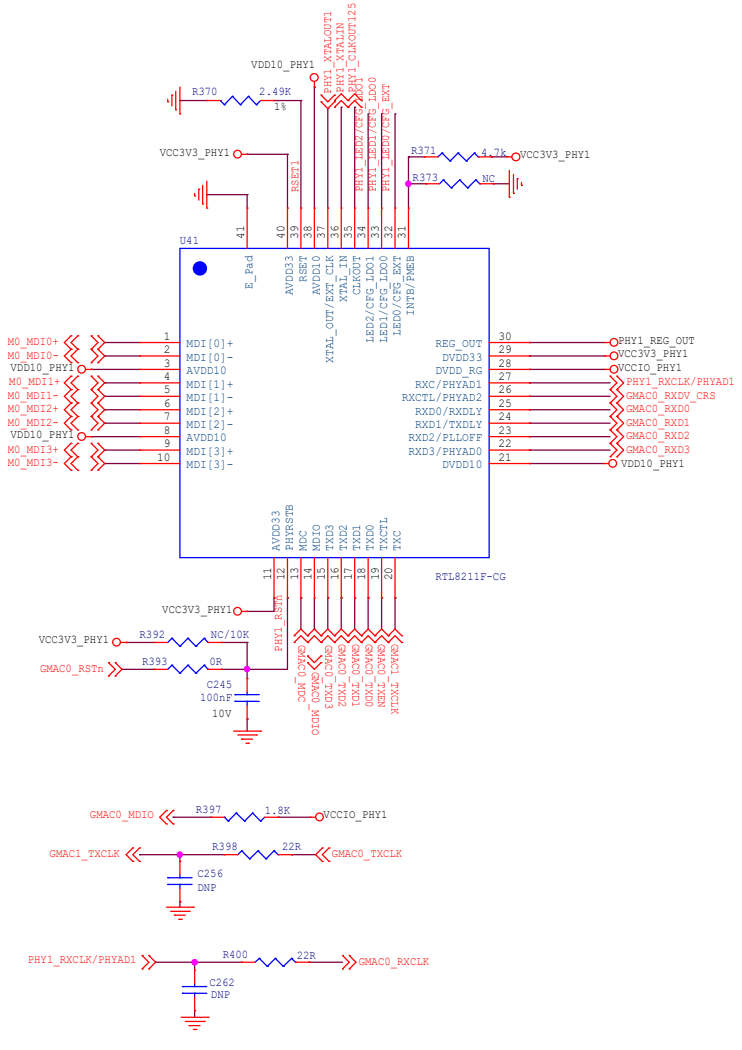
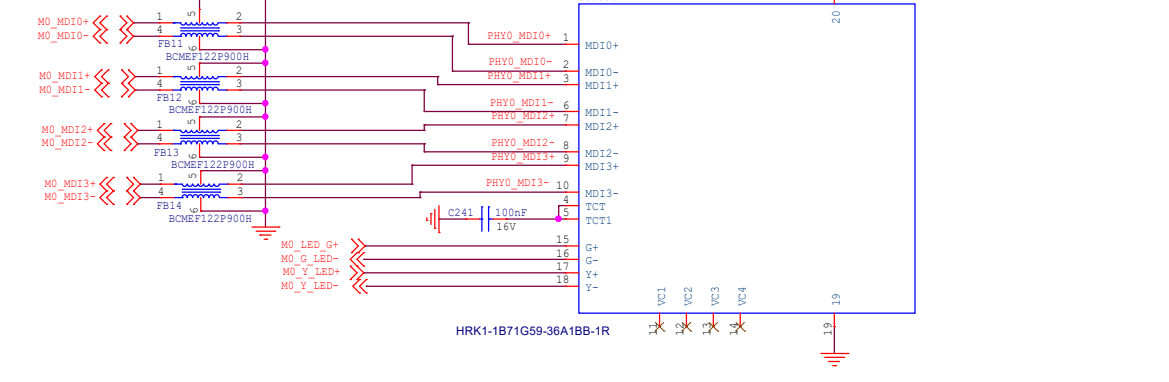
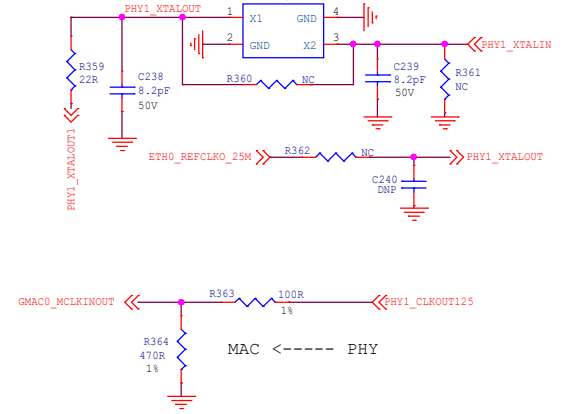


radxa

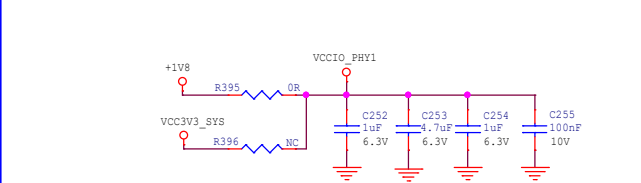
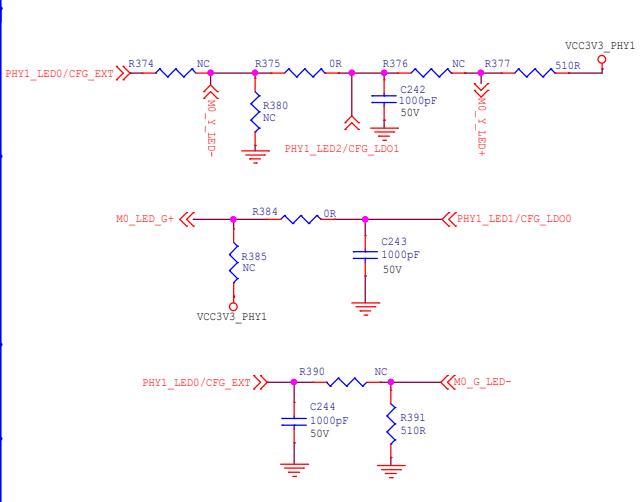
Size	Title:	CM3I IO Board	REV
A4	Page Name:	AUDIO/USB/KEY	V1.3
Date:	Monday, November 27, 2023	Sheet	14 of 23



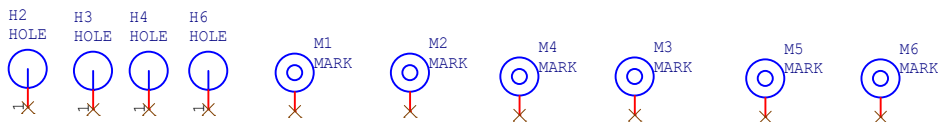
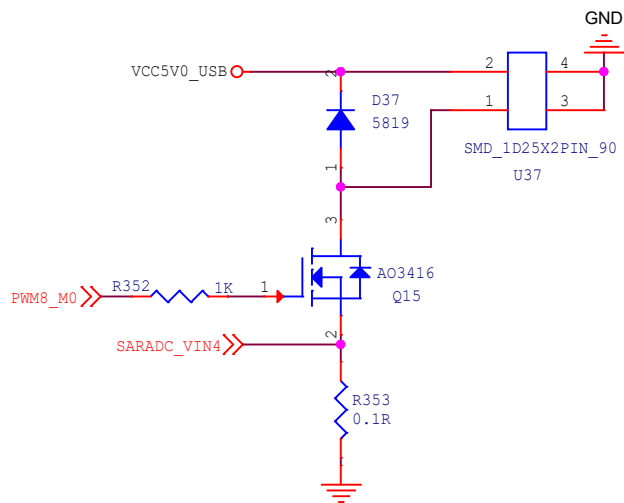
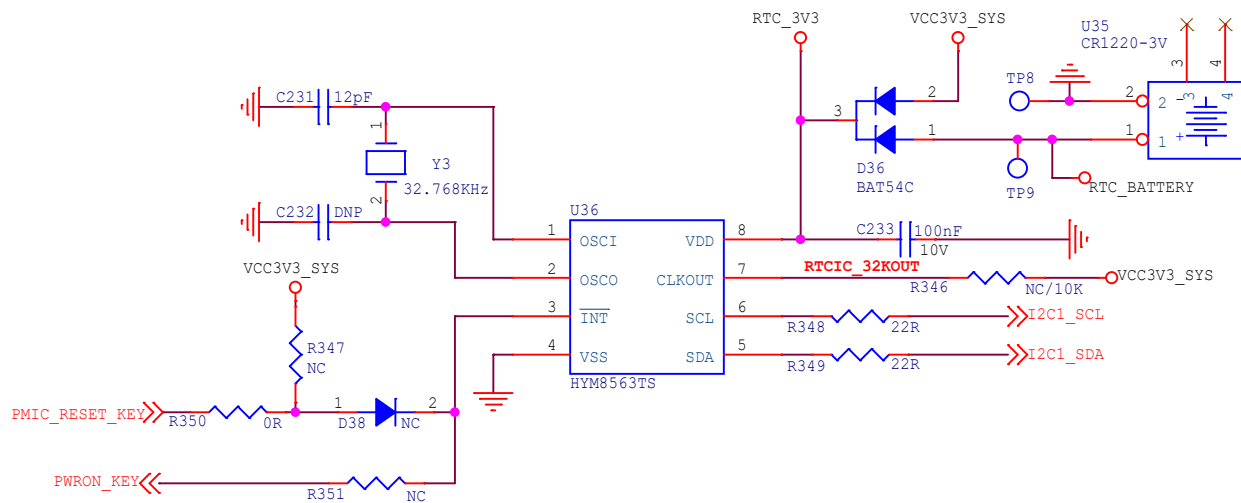
# Giga PHY0



RGMII Power Source	CFG_EXT	CFG_LDO[1:0]
External 3.3V	1'b1	2'b00
External 1.8V	1'b1	2'b10
<b>Internal 1.8V(default)</b>	1'b0	2'b10

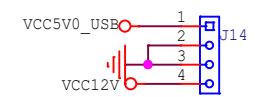
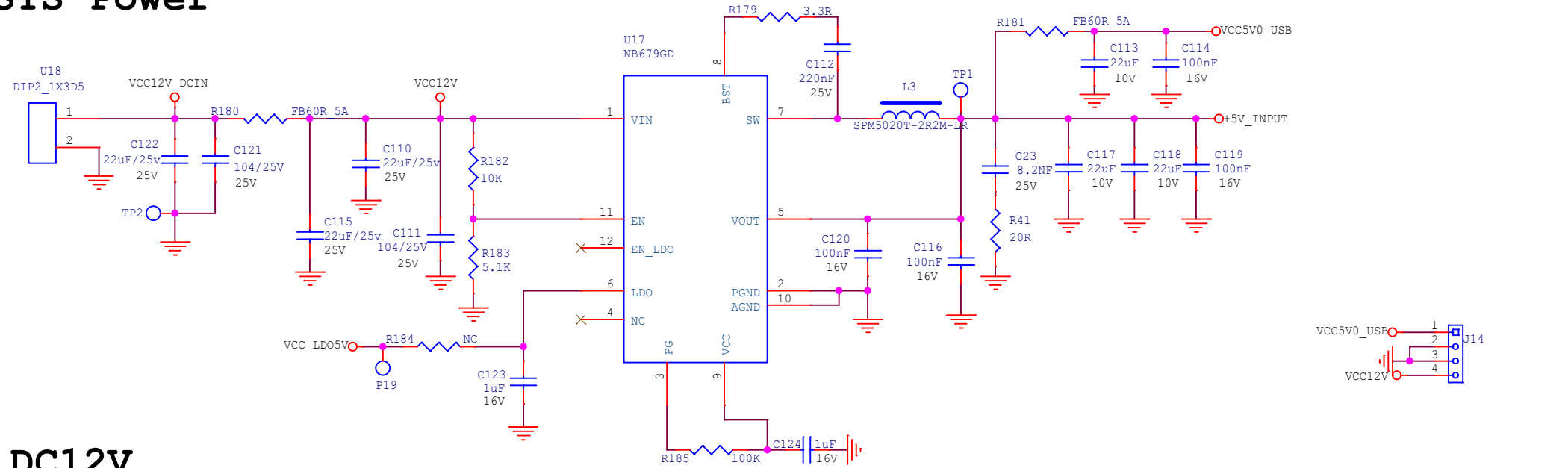




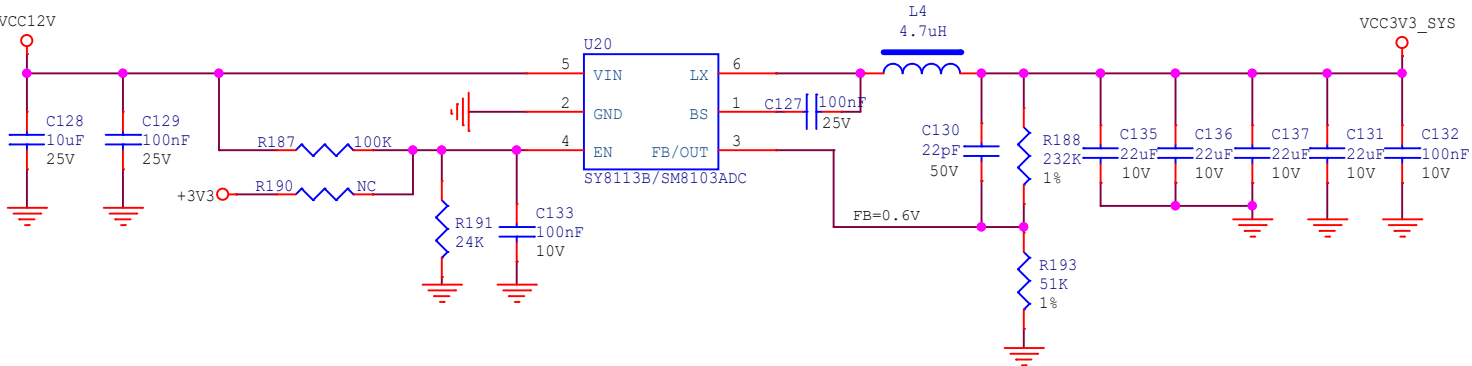
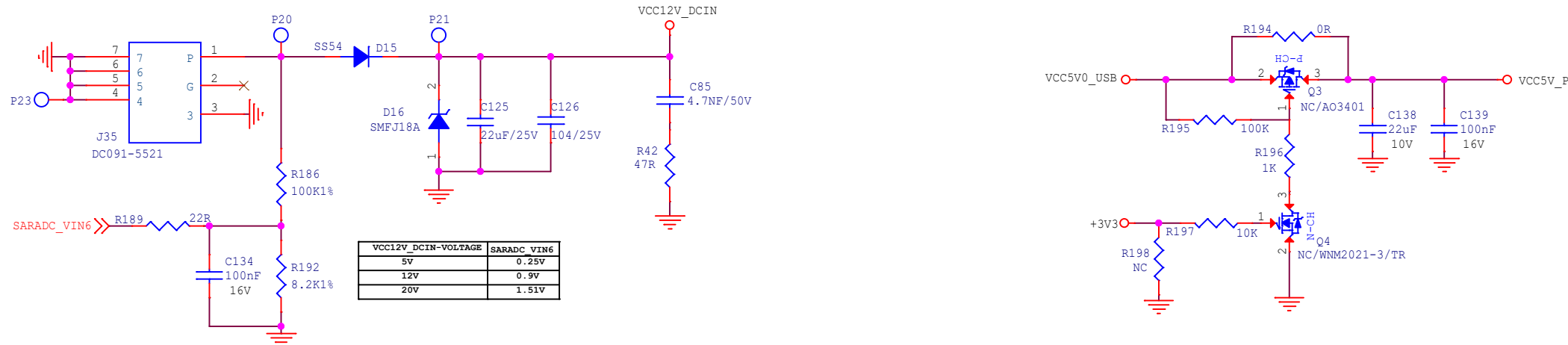



Size	Title:	CM3I IO Board	REV
A4	Page Name:	FAN_RTC_HOLE	V1.3
Date:		Monday, November 27, 2023	Sheet 17 of 23

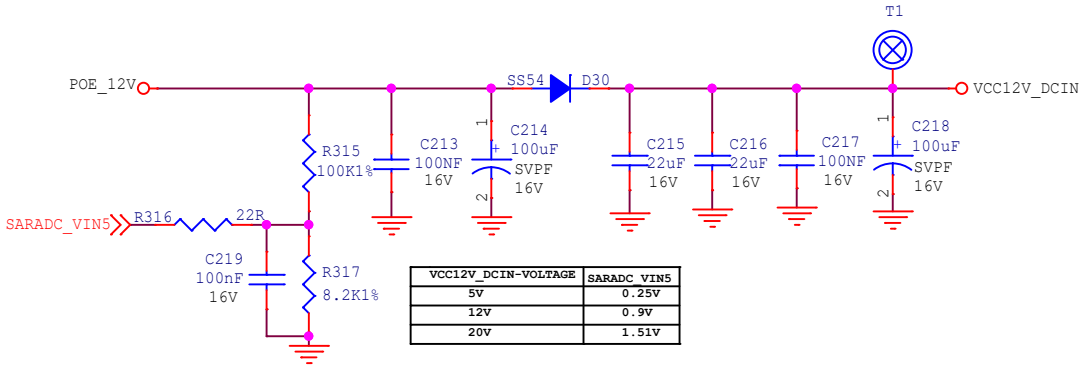
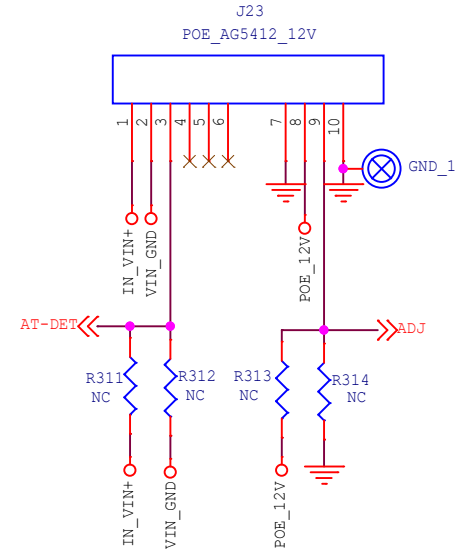
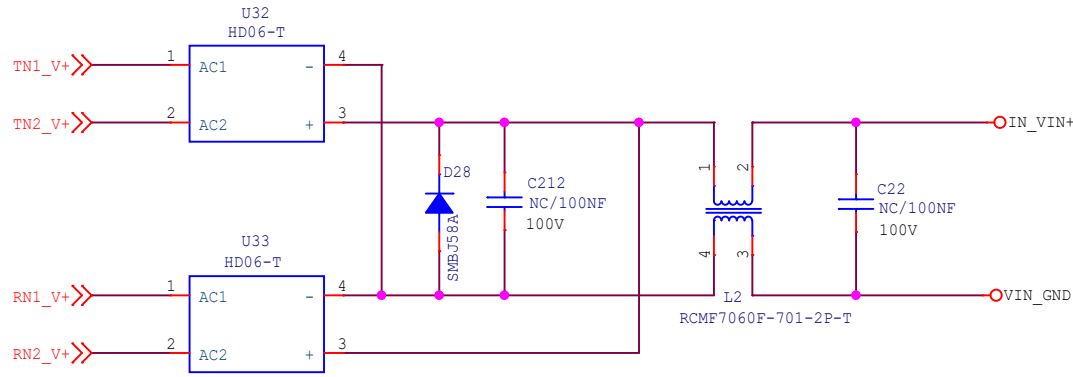
# SYS Power



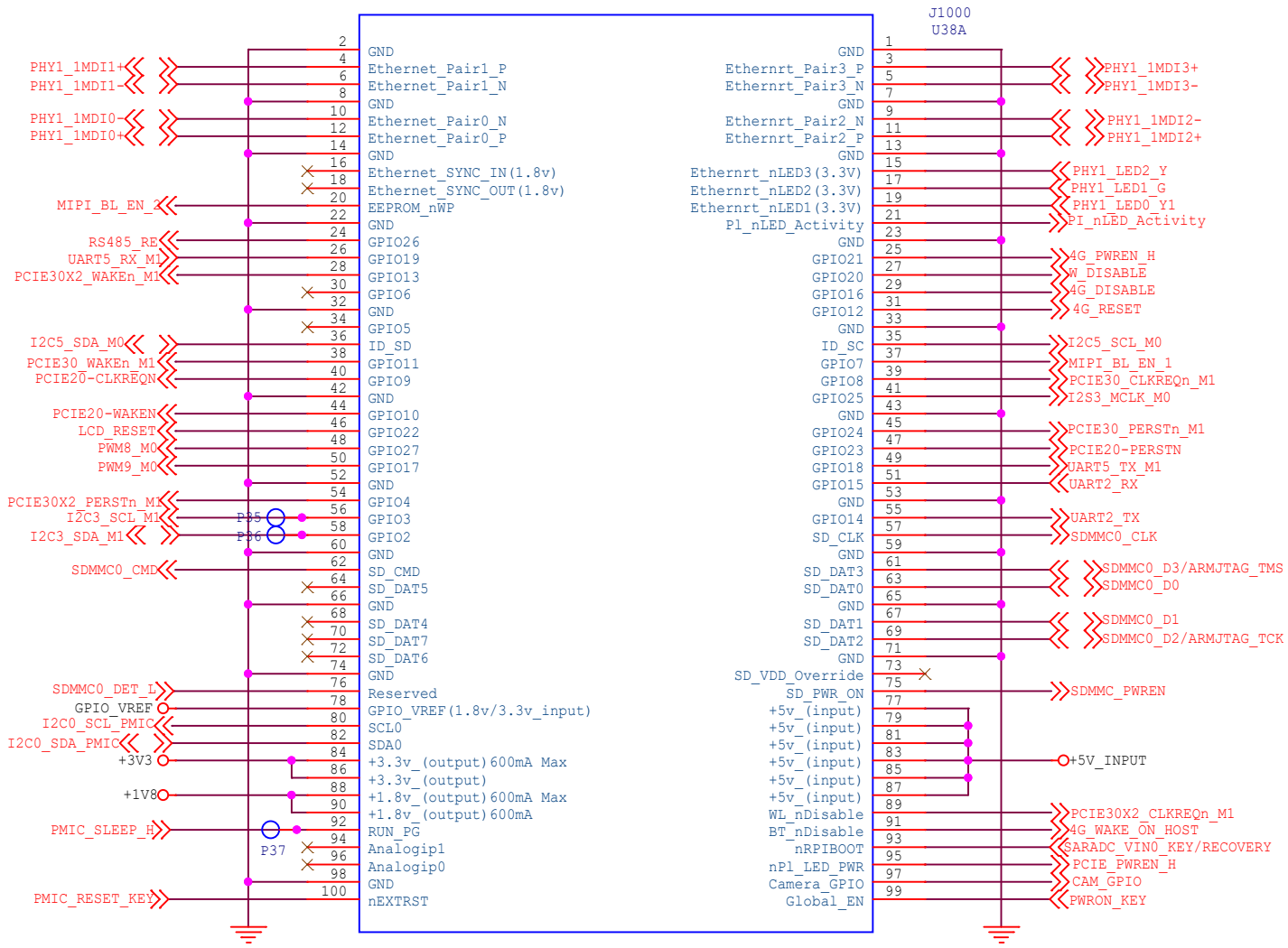
# DC12V

Size	Title:	CM3I IO Board	REV
A4	Page Name:	Power DC IN	V1.3
Date:	Monday, November 27, 2023	Sheet	18 of 23

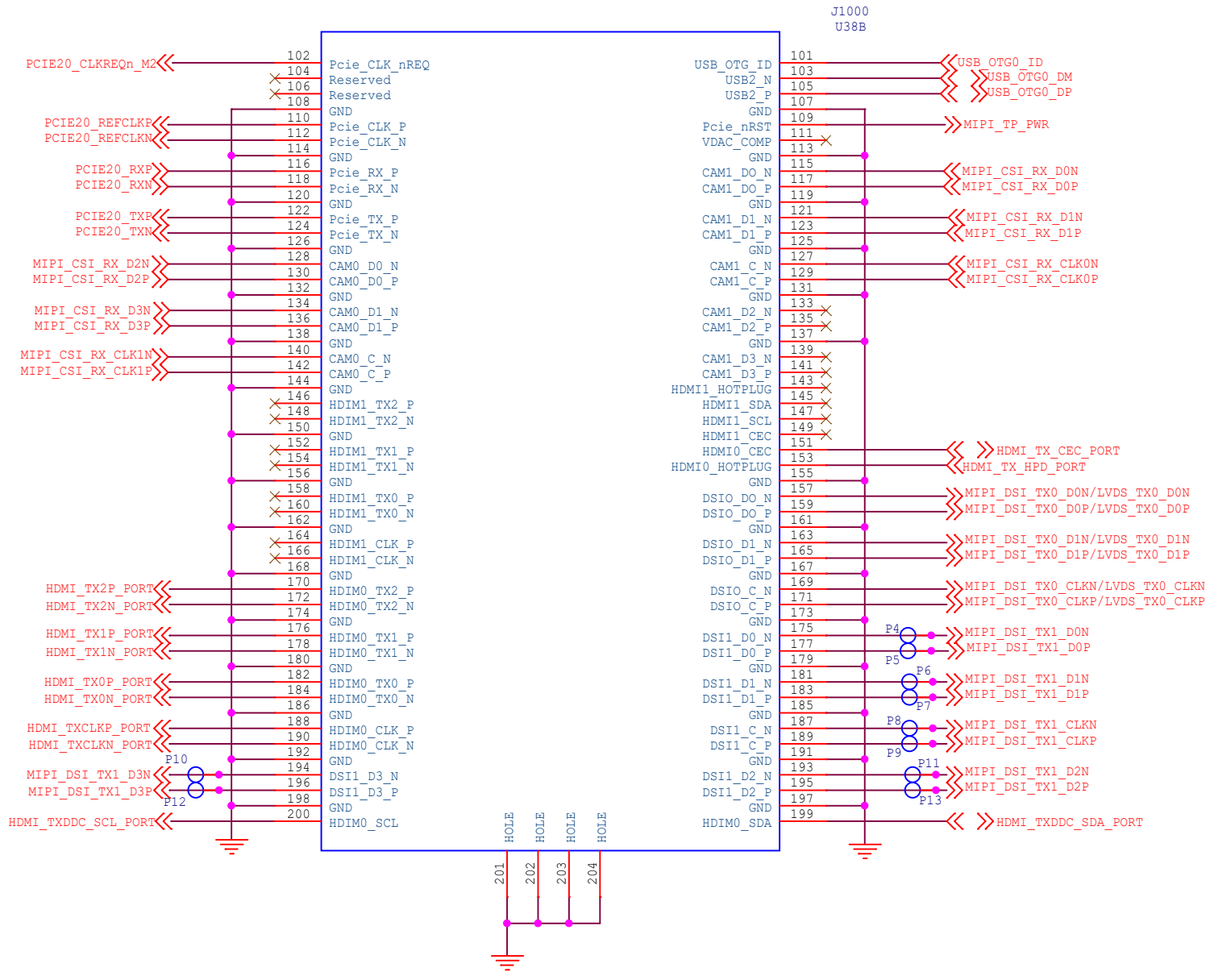


Size	Title: CM3I IO Board	REV
A4	Page Name: POE POWER	V1.3
Date: Monday, November 27, 2023	Sheet 19 of 23	

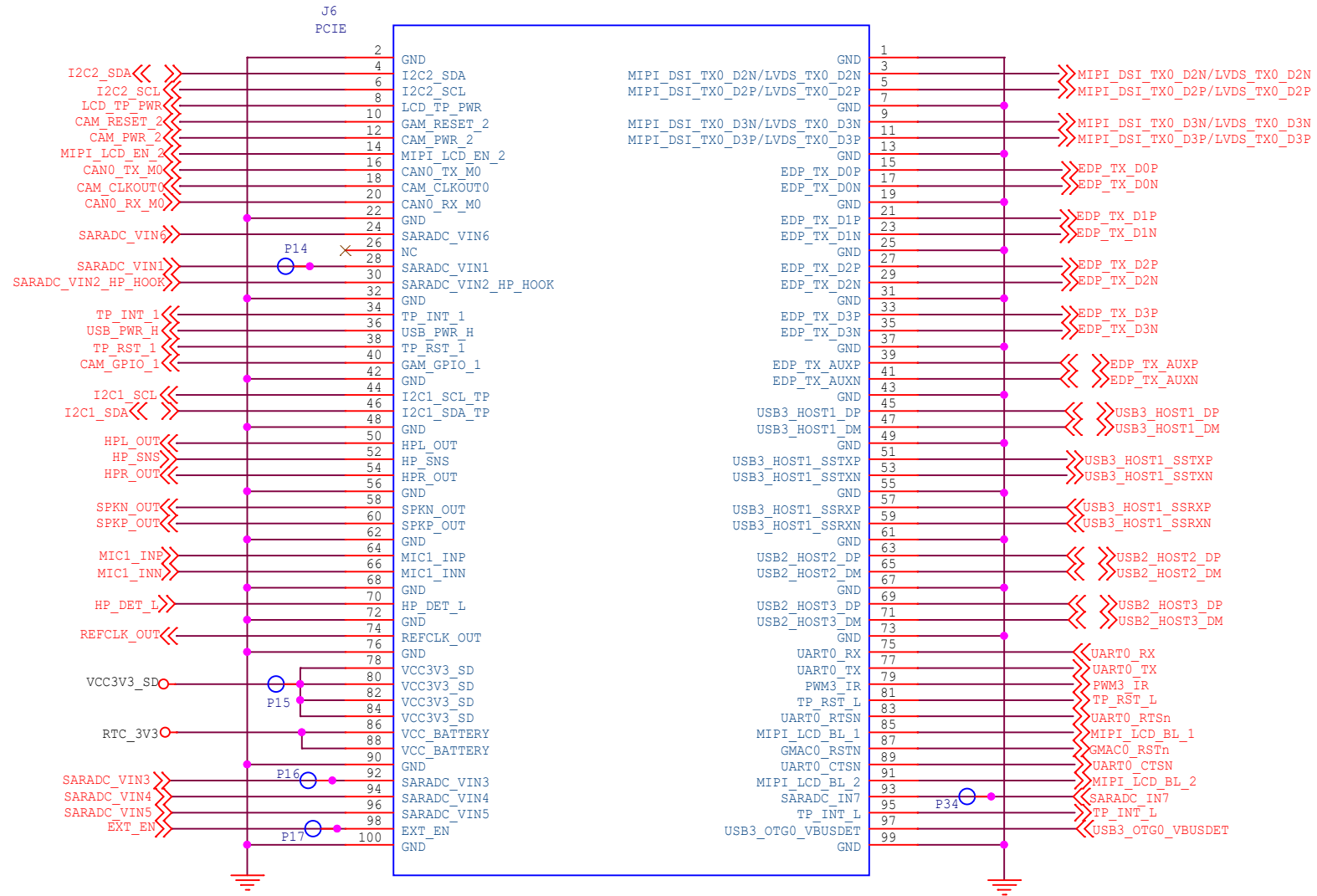


**radxa**

Size	Title:	CM3I IO Board	REV
A4	Page Name:	GPIO+VCC_Connector	V1.3
Date:		Monday, November 27, 2023	Sheet 20 of 23



Size	Title: CM3I IO Board	REV
A4	Page Name: High Speed Serial_Connector	V1.3
Date: Monday, November 27, 2023	Sheet 21 of 23	



Size	Title: CM31 IO Board	REV
A4	Page Name: IO_Connector	V1.3
Date: Monday, November 27, 2023	Sheet 22 of 23	

I/O J7

