



# Radxa CM3I IO Board schematic

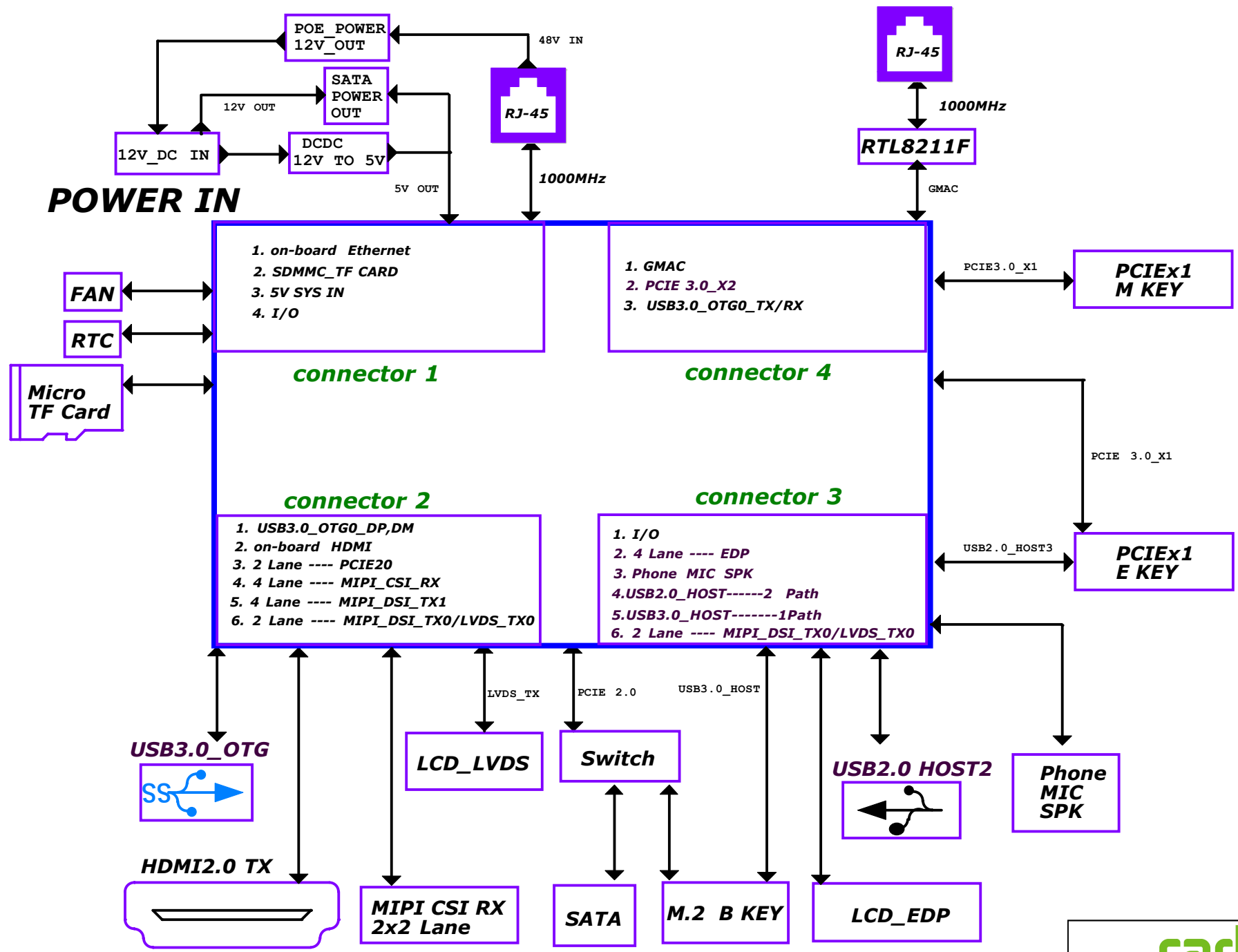
V1.3

# Table of Content

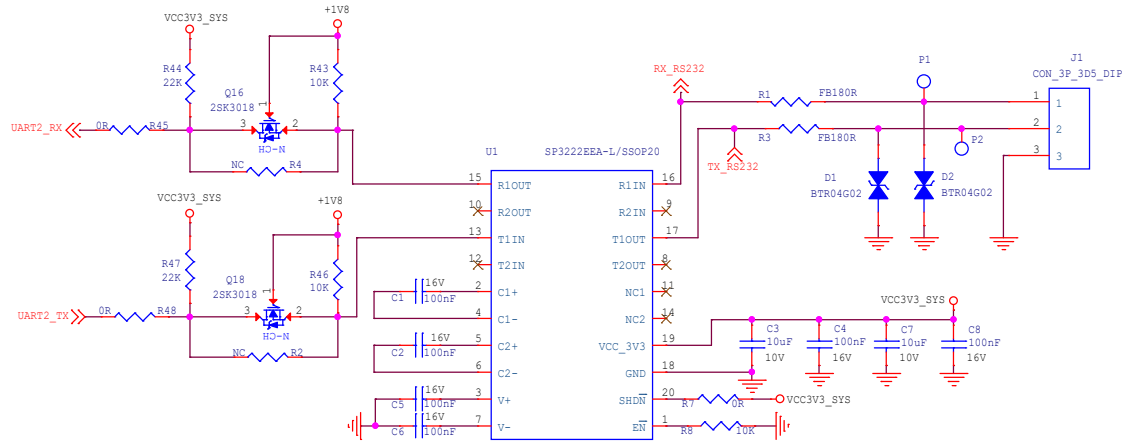
- 01.cover
- 02.Index and Notes
- 03.Block Diagram
- 04.RS232/RS485/CAN
- 05.M.2 B KEY
- 06.M.2 M KEY
- 07.M.2 E KEY
- 08.PCIE\_CLK
- 09.SATA\_SW
- 10.MIPI\_CSI\_RX
- 11.EDP\_LCD
- 12.MIPI\_LCD
- 13.HDMI/TF\_OUT
- 14.AUDIO/USB/KEY
- 15.Ethernet 1000M RJ45
- 16.Ethernet 1000MHz\_RTL8211
- 17.FAN\_RTC\_HOLE
- 18.Power DC\_IN
- 19.POE\_POWER
- 20.GPIO+VCC\_Connector
- 21.High Speed Serial\_Connector
- 22.IO\_Connector
- 23.PCIE3.0\_Connector



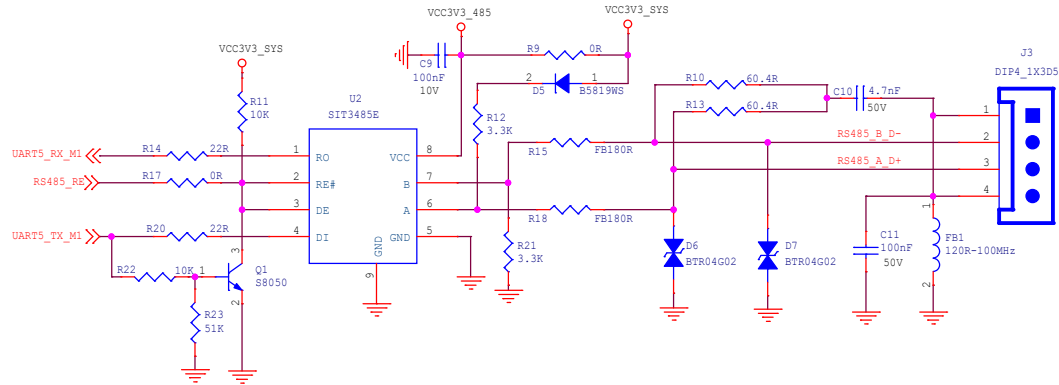
|                                 |                      |      |
|---------------------------------|----------------------|------|
| Size                            | Title: CM3I IO Board | REV  |
| A4                              | Page Name: Index     | V1.3 |
| Date: Monday, November 27, 2023 | Sheet 02 of 23       |      |



# RS232



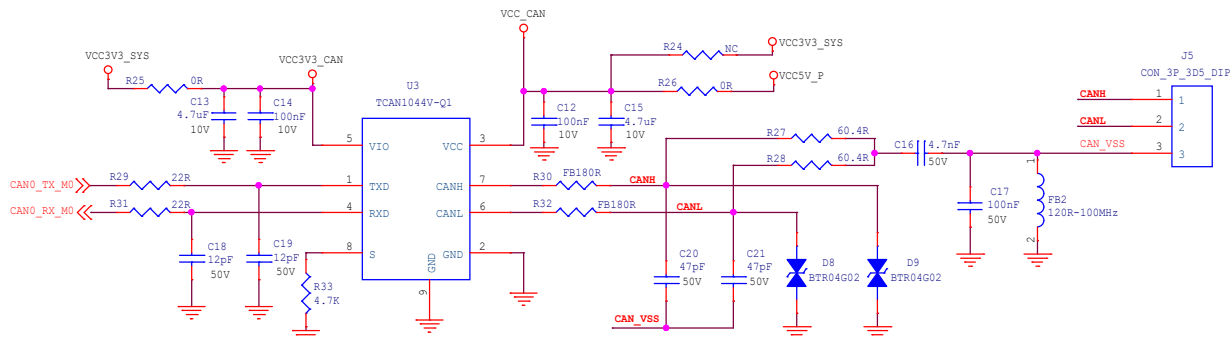
# RS485



# CAN

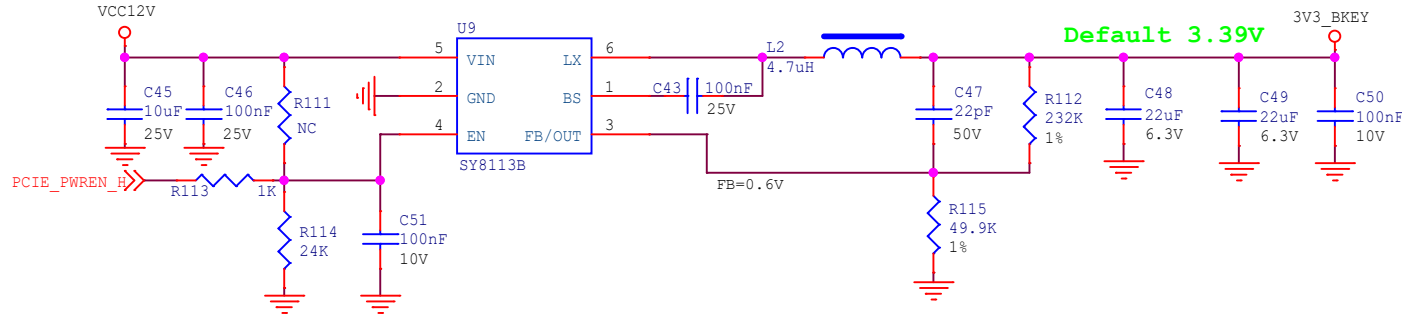
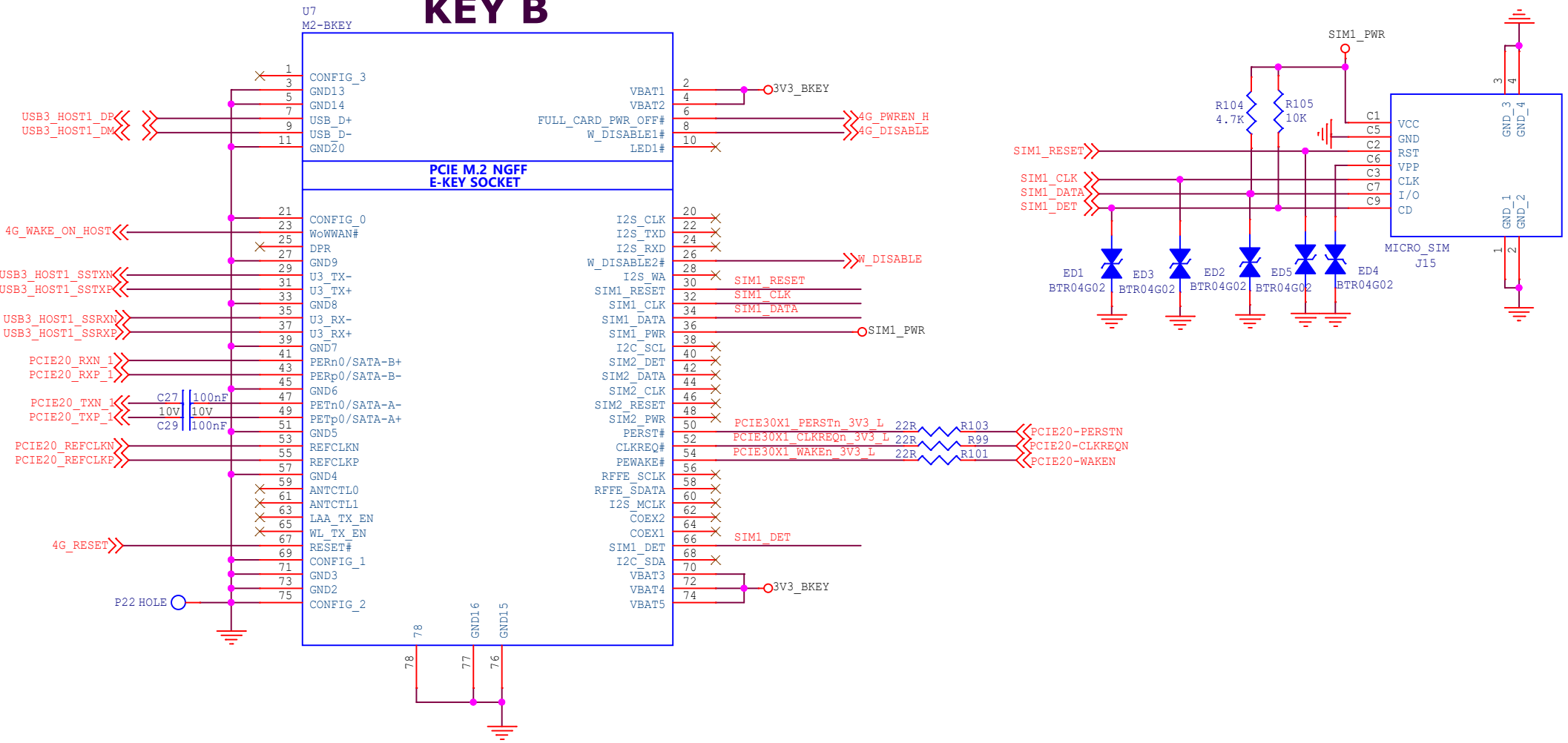
TCAN332G: PIN3=3.3V, PIN5, 8=NC

TCAN1044V-Q1: PIN3=5V, PIN5=VIO, PIN8=S

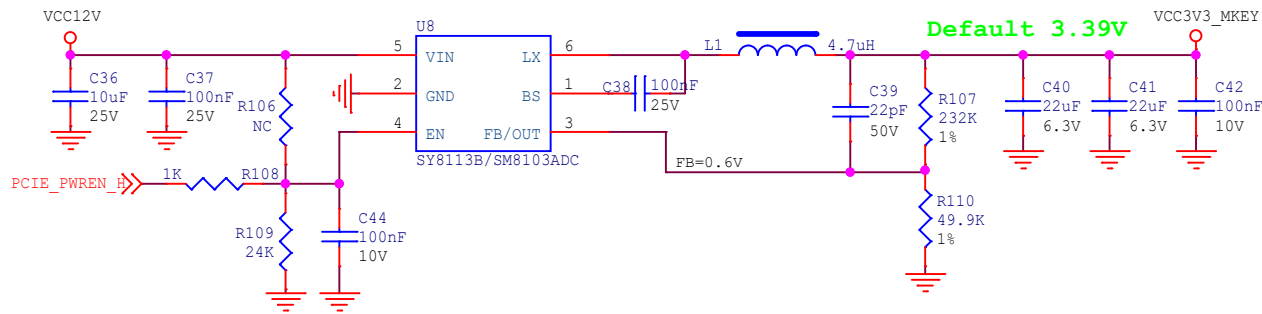
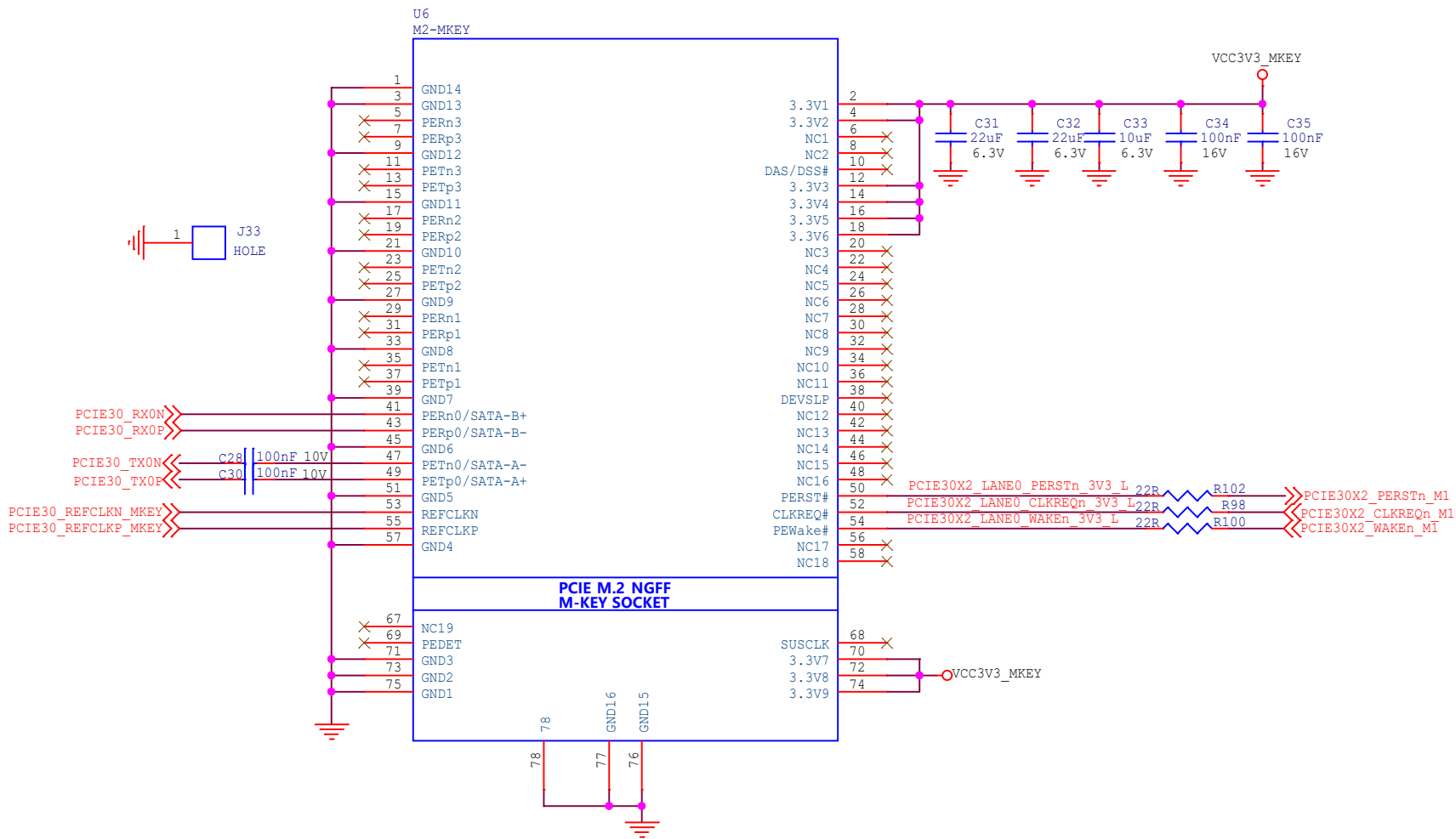


|       |                           |                 |          |
|-------|---------------------------|-----------------|----------|
| Size  | Title:                    | CM3I IO Board   | REV      |
| A3    | Page Name:                | RS232/RS485/CAN | V1.3     |
| Date: | Monday, November 27, 2023 | Sheet           | 04 of 23 |

# KEY B

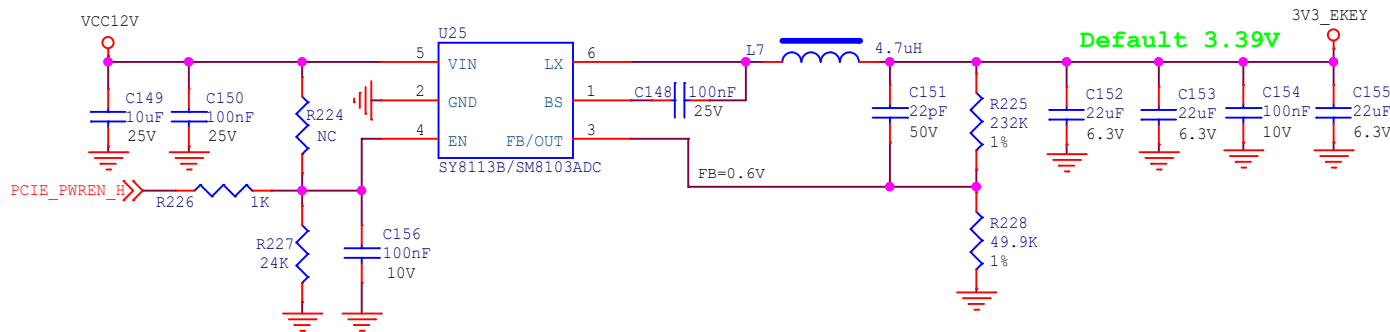
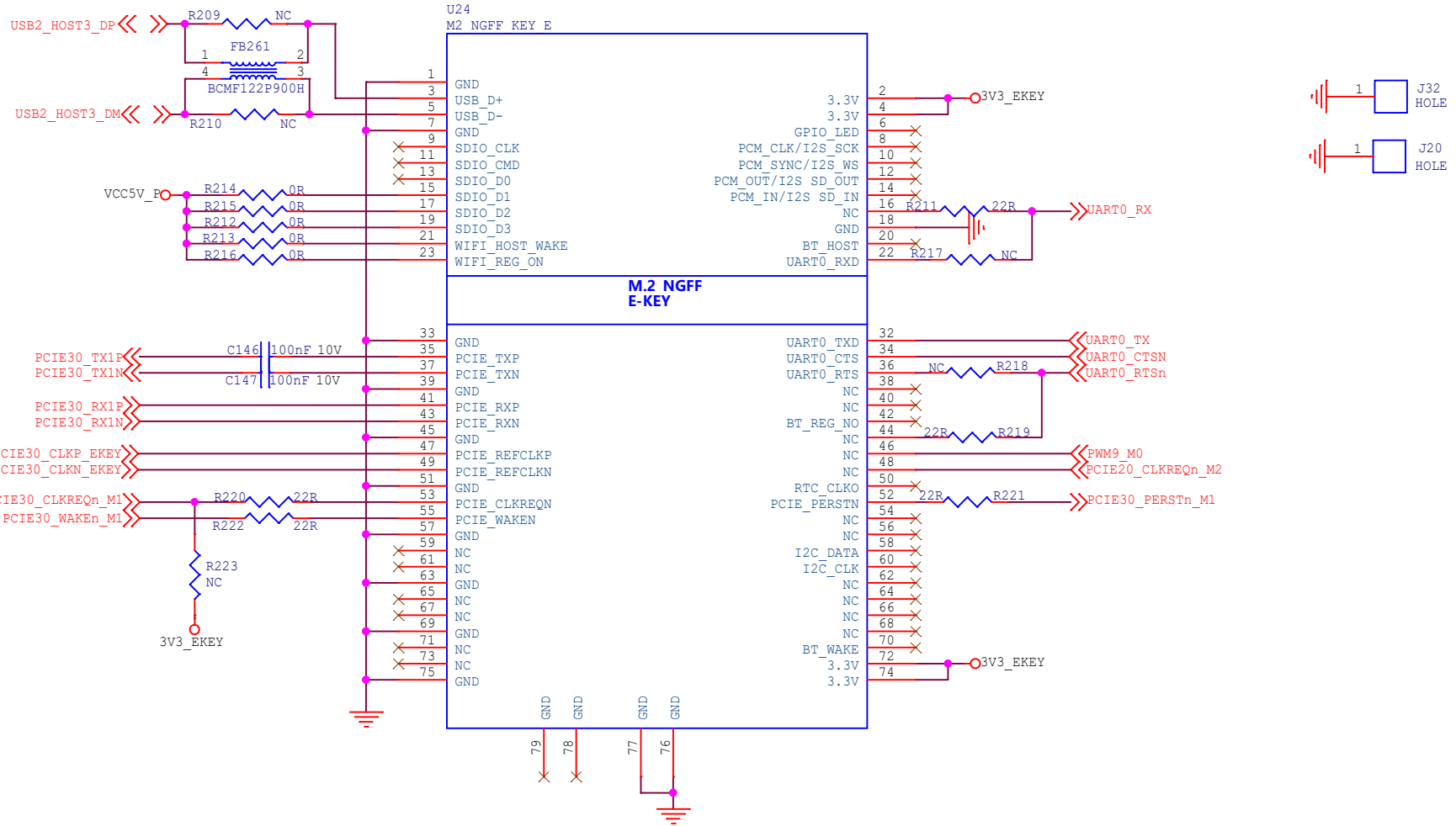


|       |                           |               |          |
|-------|---------------------------|---------------|----------|
| Size  | Title:                    | CM3I IO Board | REV      |
| A4    | Page Name:                | M.2 B KEY     | V1.3     |
| Date: | Monday, November 27, 2023 | Sheet         | 05 of 23 |



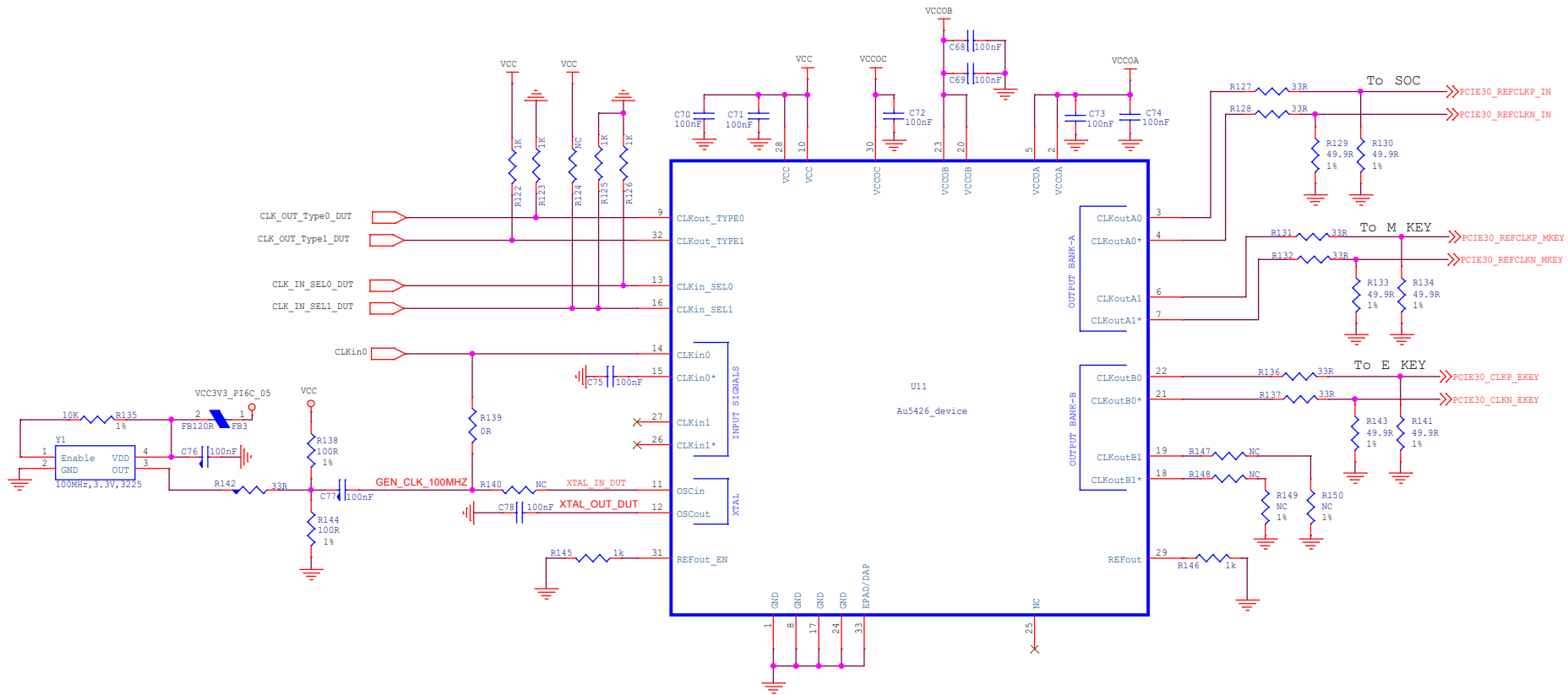
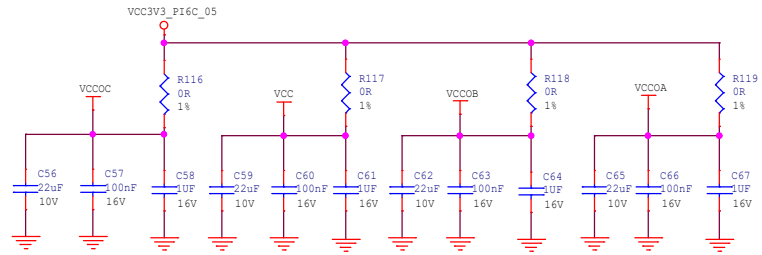
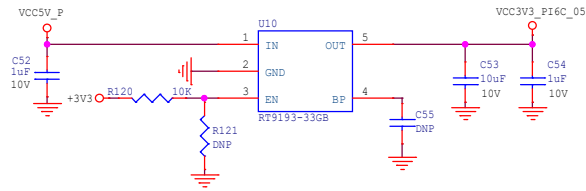
|                                 |                      |      |
|---------------------------------|----------------------|------|
| Size                            | Title: CM31 IO Board | REV  |
| A4                              | Page Name: M.2 M KEY | V1.3 |
| Date: Monday, November 27, 2023 | Sheet 06 of 23       |      |

# E KEY



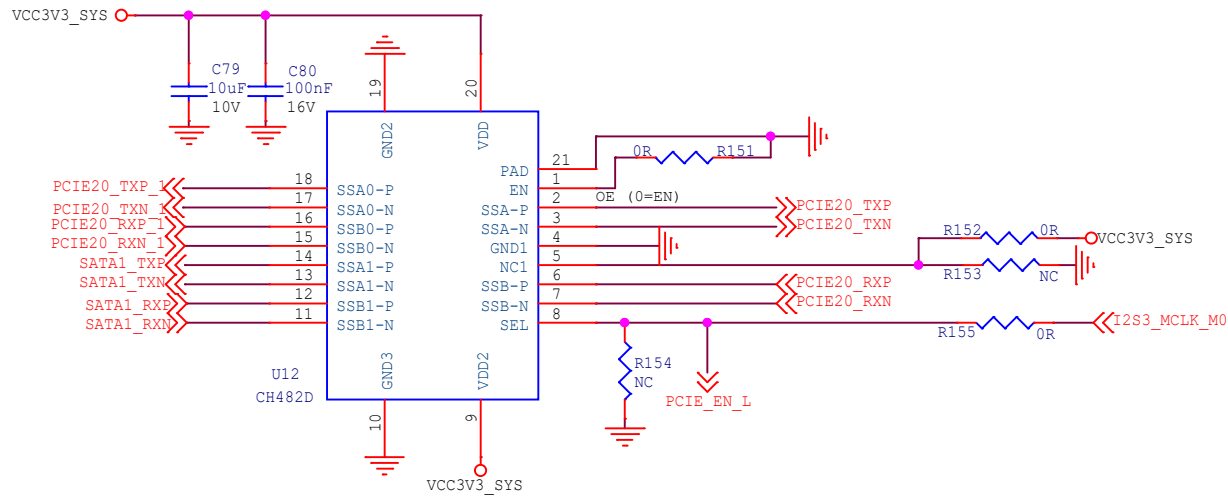
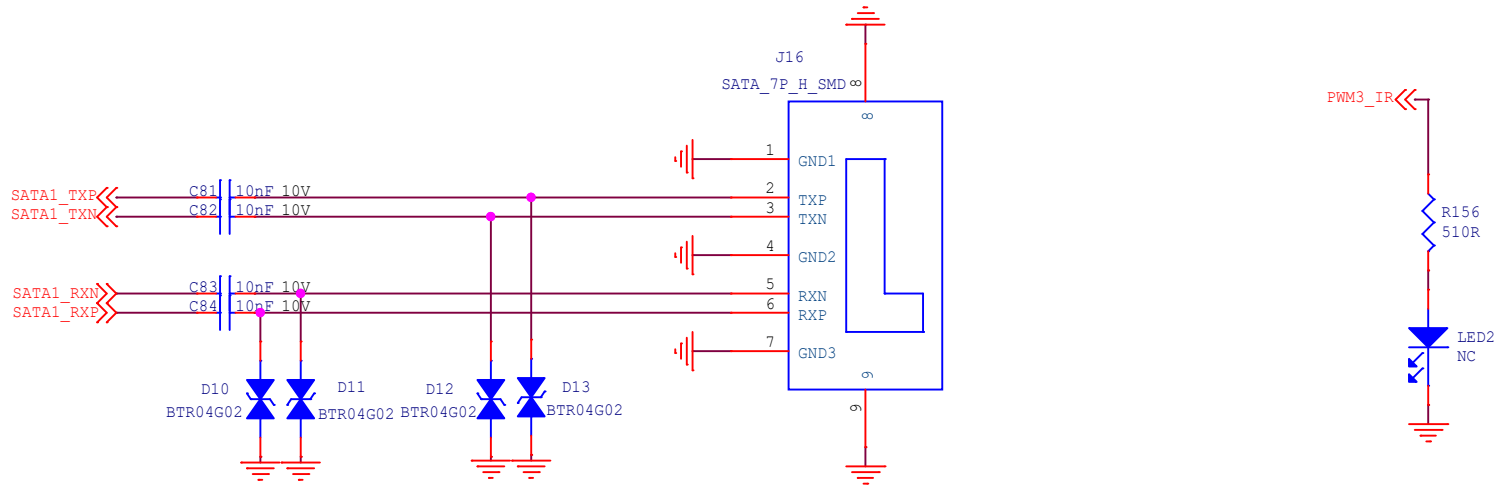
radxa

|       |            |                           |                |
|-------|------------|---------------------------|----------------|
| Size  | Title:     | CM3I IO Board             | REV            |
| A4    | Page Name: | M.2 E KEY                 | V1.3           |
| Date: |            | Monday, November 27, 2023 | Sheet 07 of 23 |





# SATA3.0

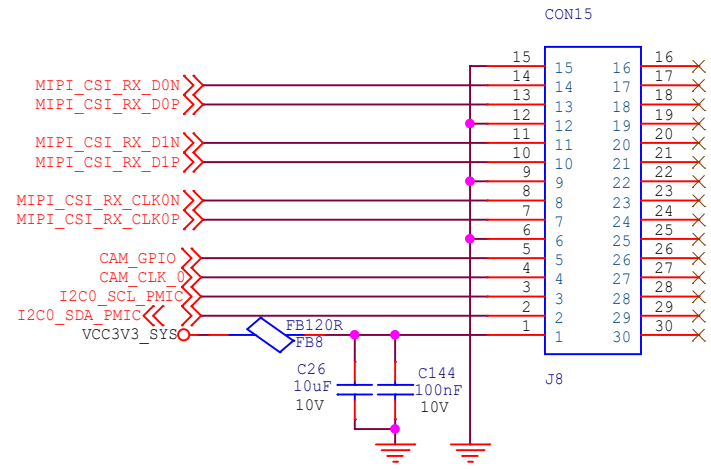


SEL (0=SW0, 1=SW1)

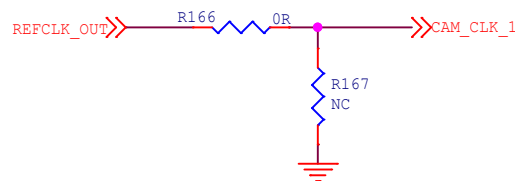
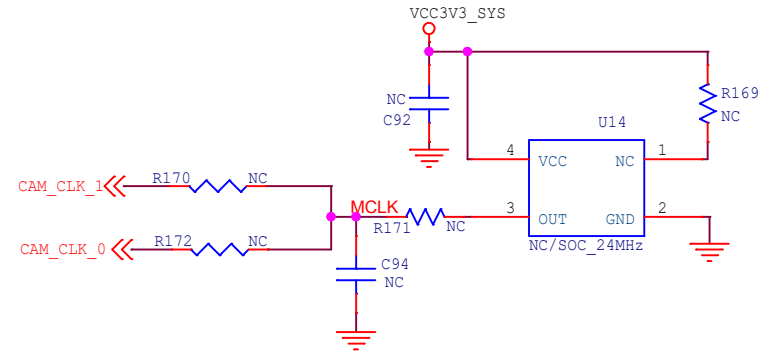
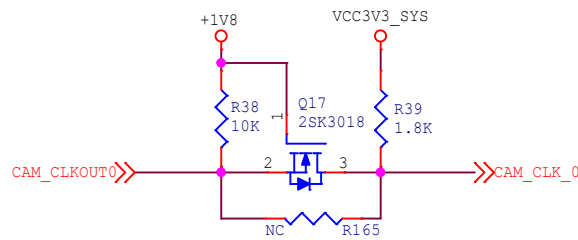
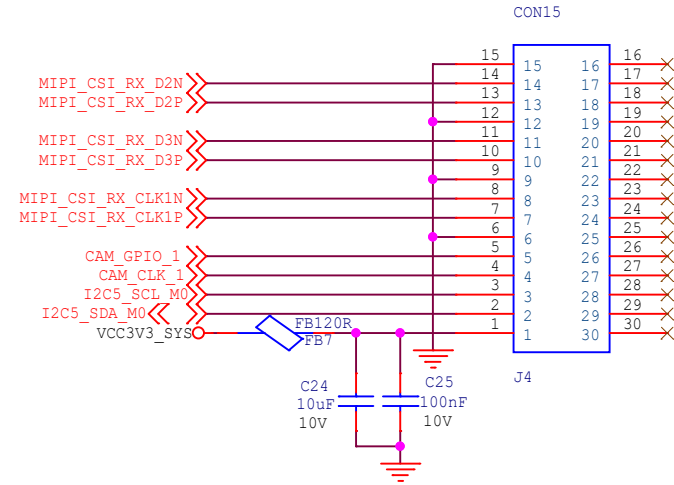


|                                                |                      |      |
|------------------------------------------------|----------------------|------|
| <b>radxa</b>                                   |                      |      |
| Size                                           | Title: CM3I IO Board | REV  |
| A4                                             | Page Name: SATA SW   | V1.3 |
| Date: Monday, November 27, 2023 Sheet 09 of 23 |                      |      |

# MIPI\_CSI\_RX 2Lanes



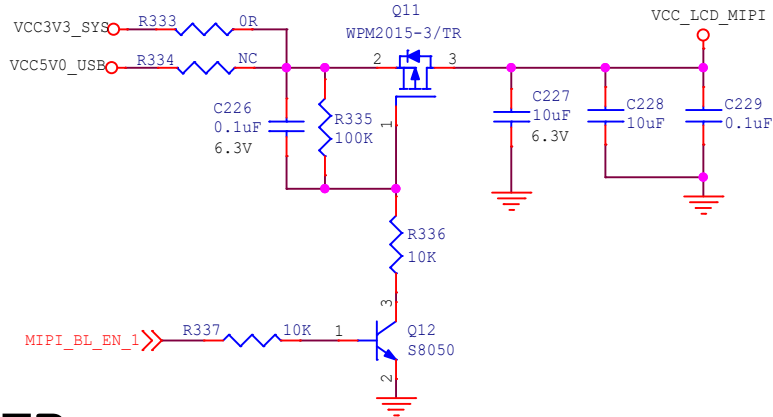
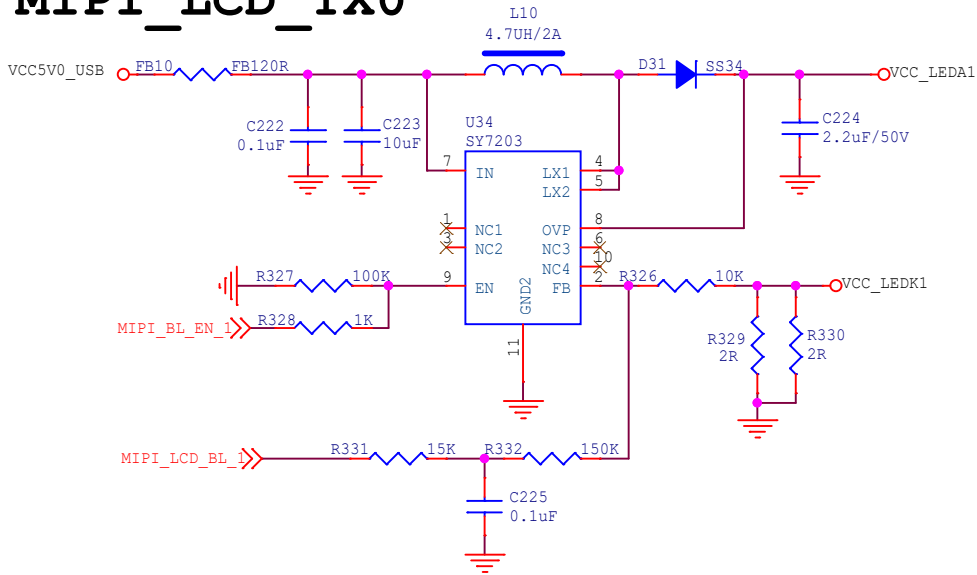
# MIPI\_CSI\_RX 2Lanes



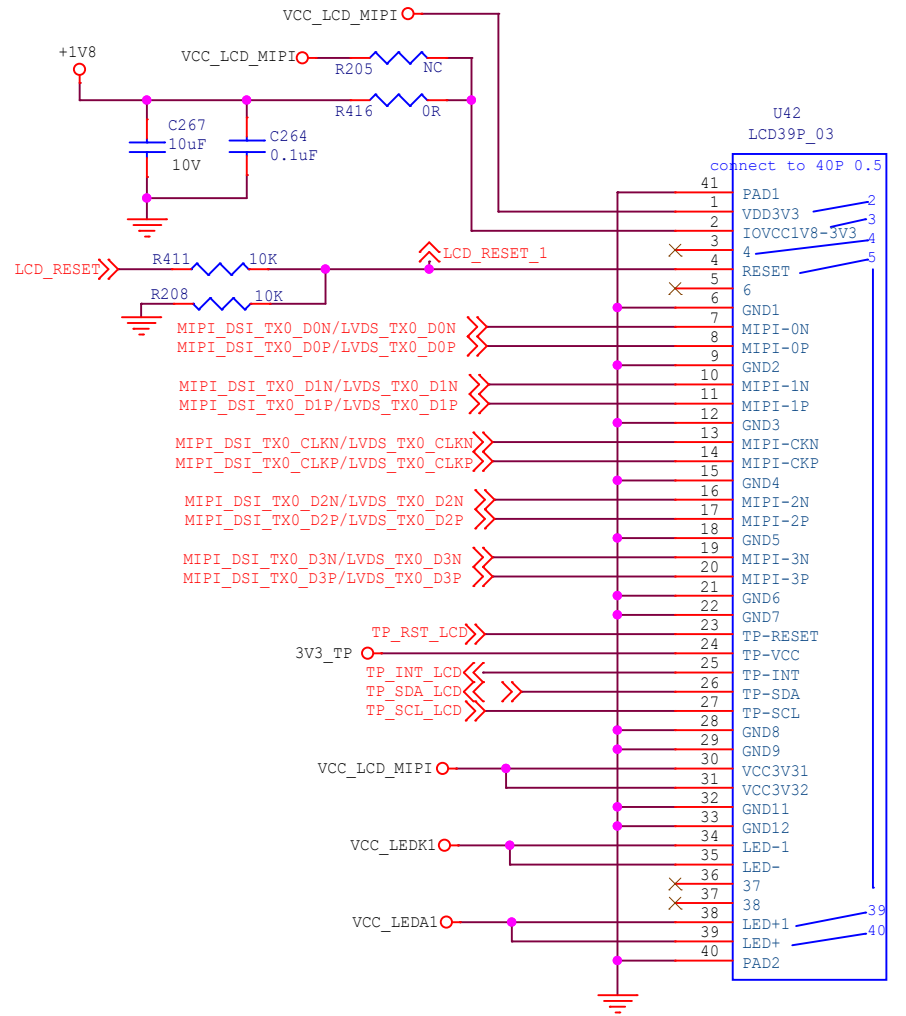
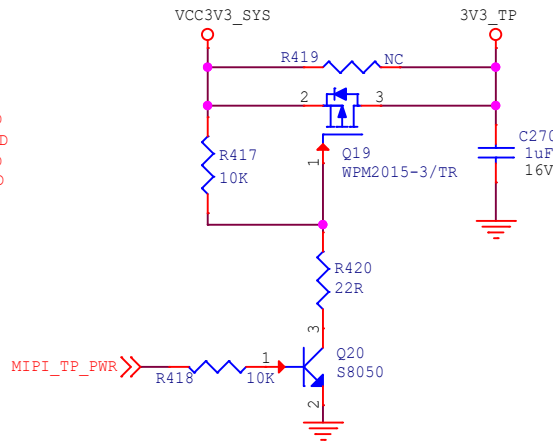
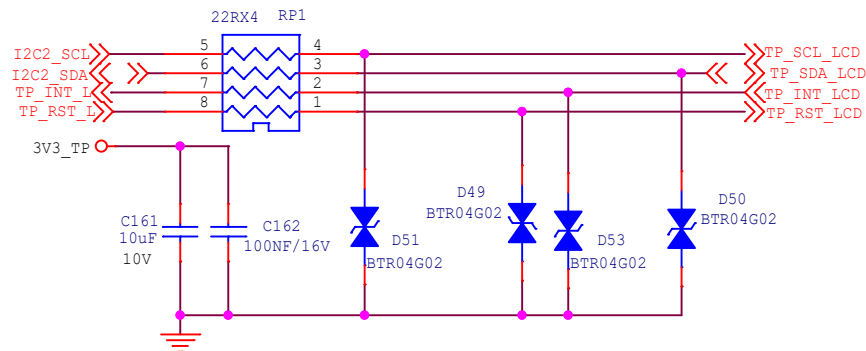
|              |                           |                |
|--------------|---------------------------|----------------|
| <b>radxa</b> |                           |                |
| Size         | Title:                    | CM3I IO Board  |
| A4           | Page Name:                | MIPI_CSI_RX    |
| Date:        | Monday, November 27, 2023 | Sheet 10 of 23 |
|              | REV                       | V1.3           |



# MIPI\_LCD\_TX0



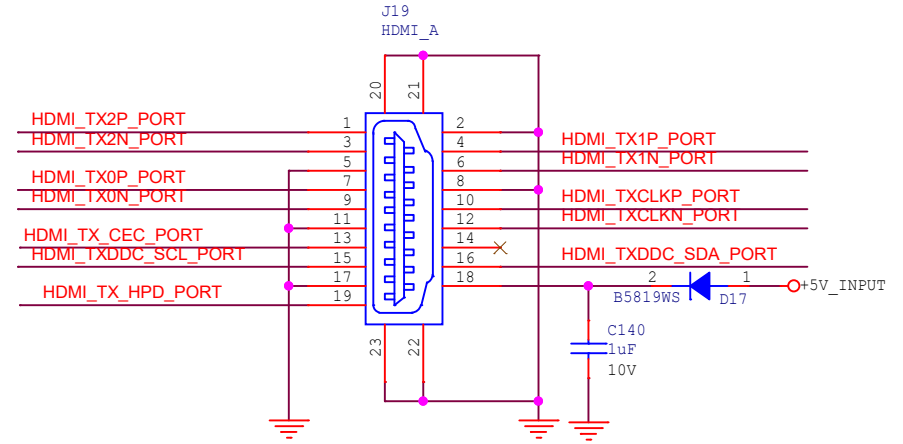
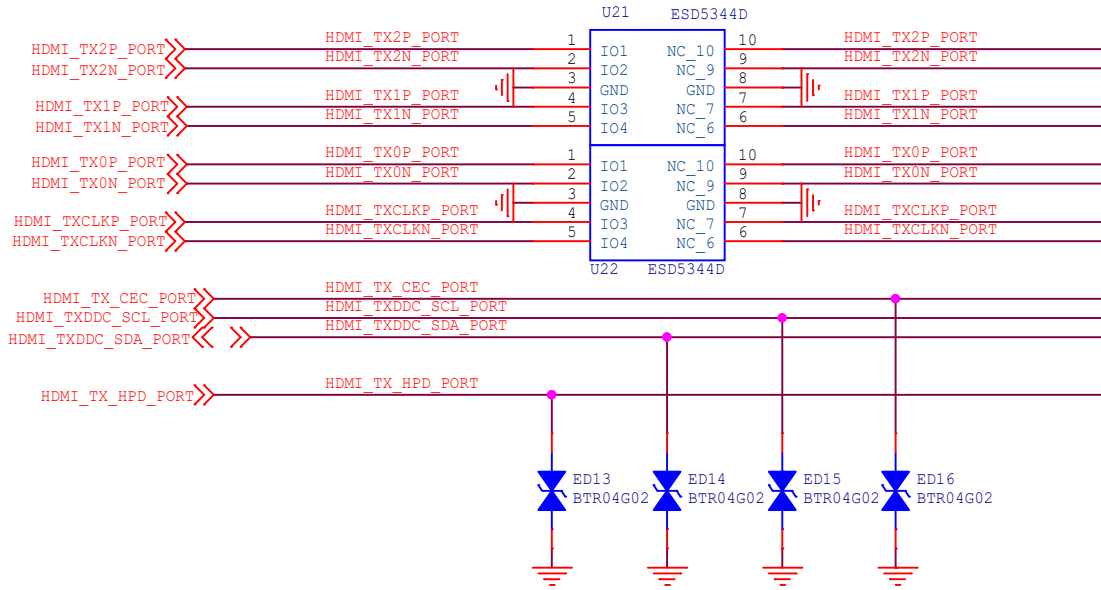
# LCD\_TP



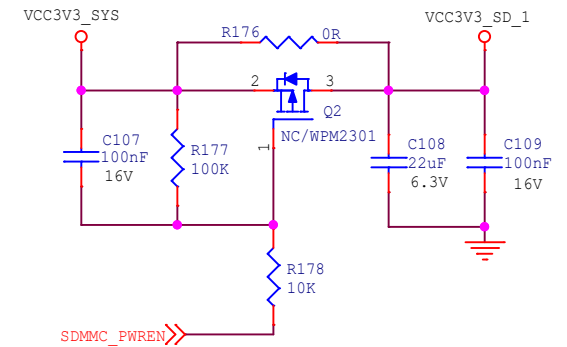
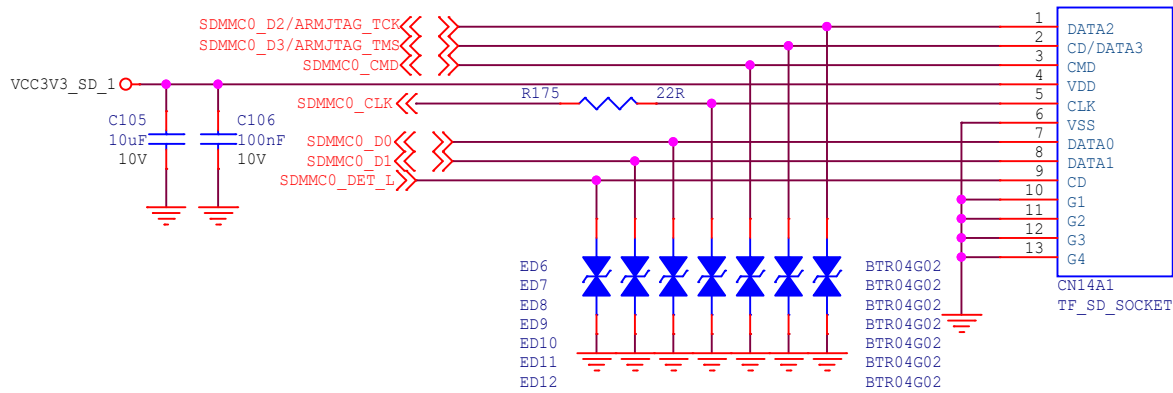
|       |                           |               |          |
|-------|---------------------------|---------------|----------|
| Size  | Title:                    | CM31 IO Board | REV      |
| A4    | Page Name:                | MIPI_LCD      | V1.3     |
| Date: | Monday, November 27, 2023 | Sheet         | 12 of 23 |

# HDMI2.0 TX

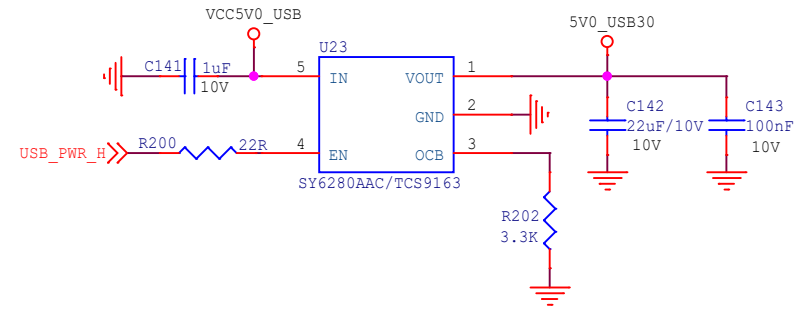
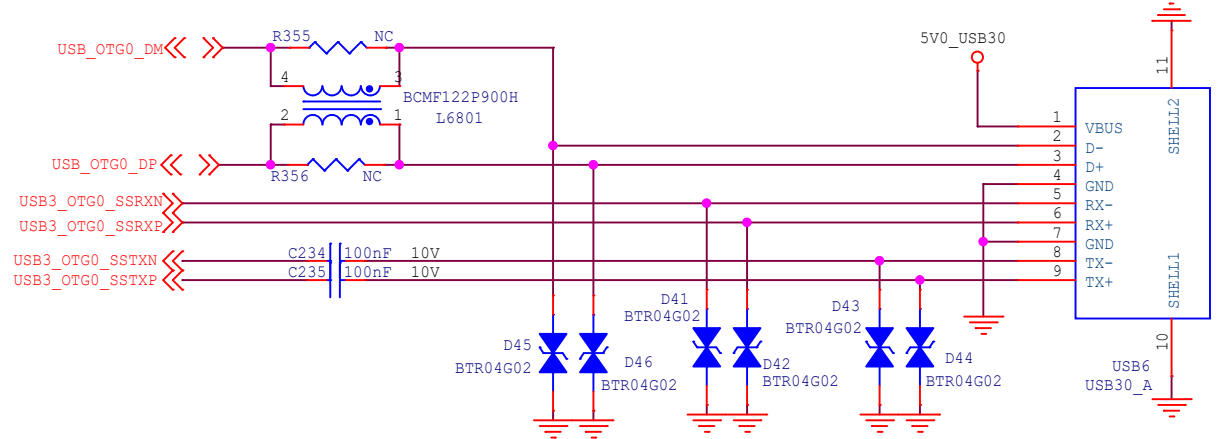
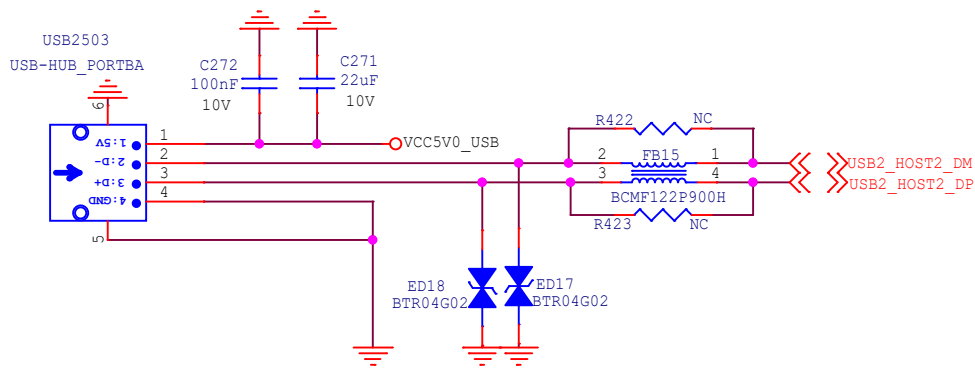
$C_j \leq 0.4 \text{ pF}$



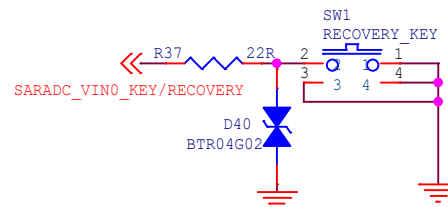
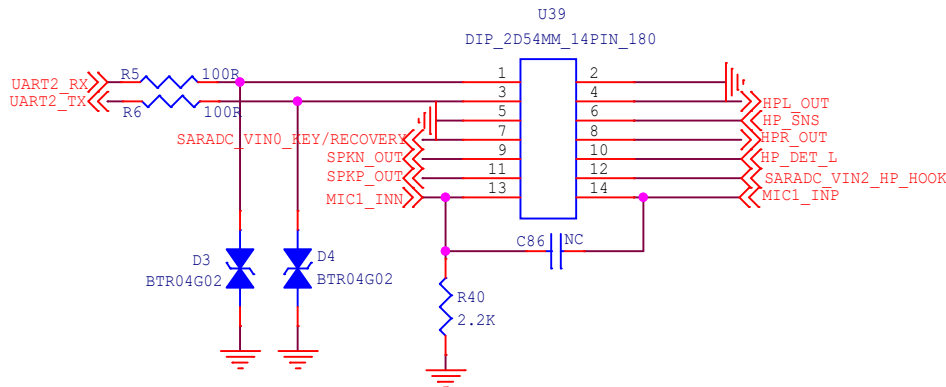
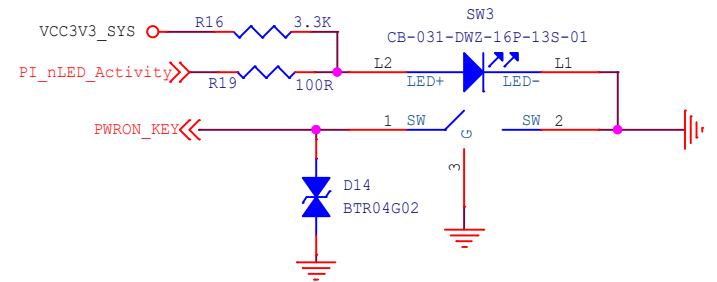
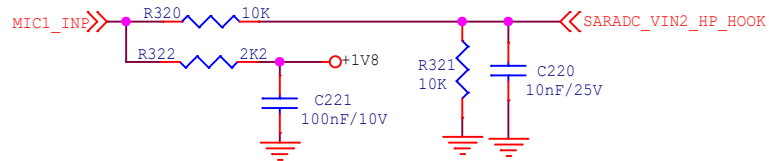
# MicroSD Card



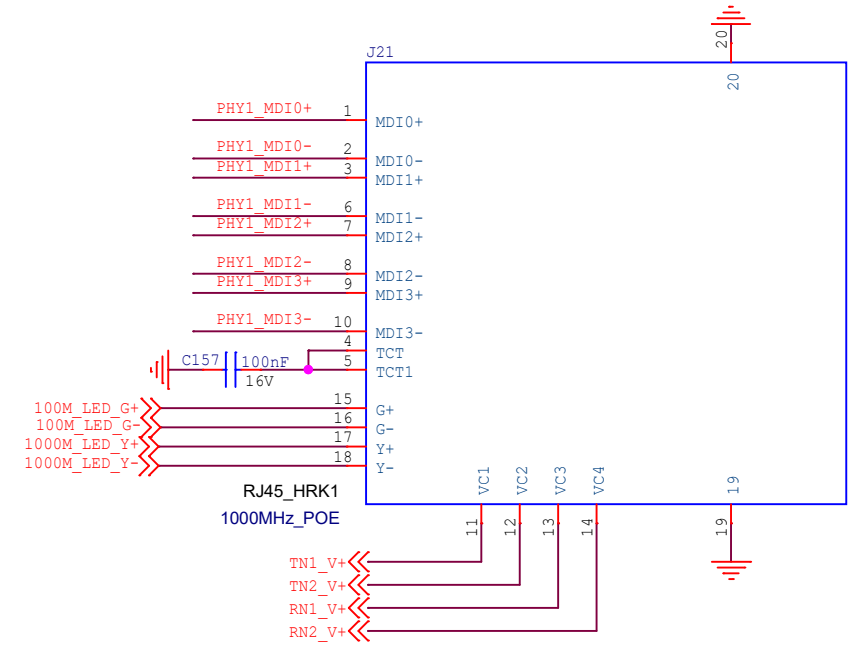
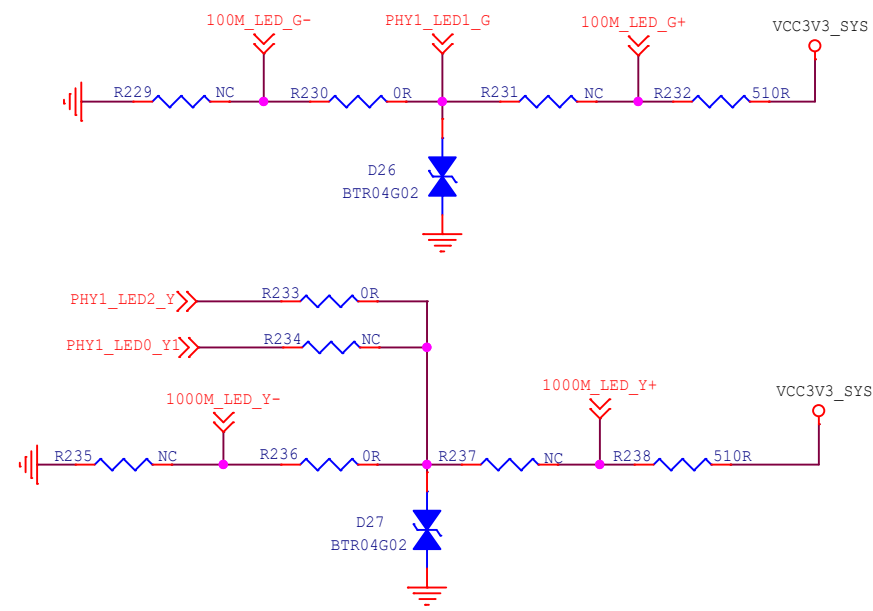
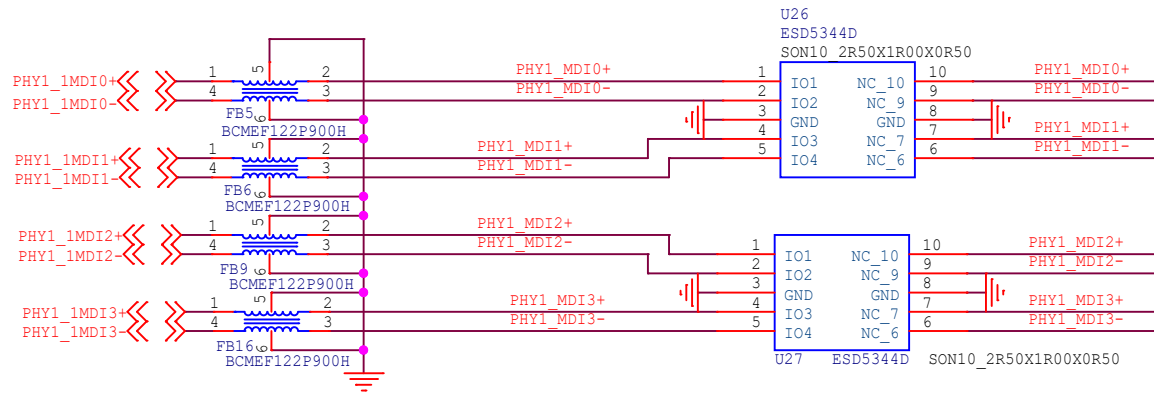
# USB



# AUDIO



|       |                           |               |          |
|-------|---------------------------|---------------|----------|
| Size  | Title:                    | CM3I IO Board | REV      |
| A4    | Page Name:                | AUDIO/USB/KEY | V1.3     |
| Date: | Monday, November 27, 2023 | Sheet         | 14 of 23 |

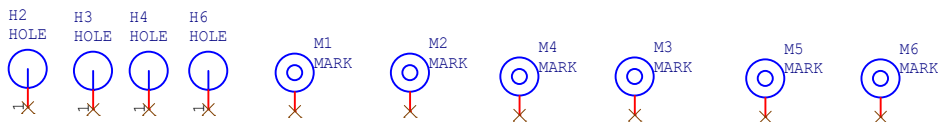
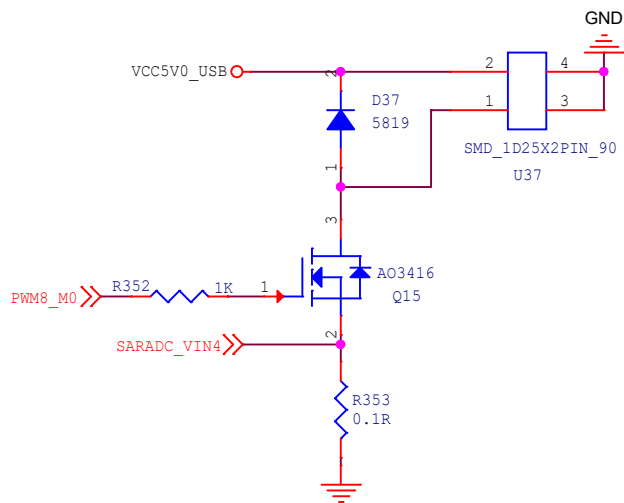
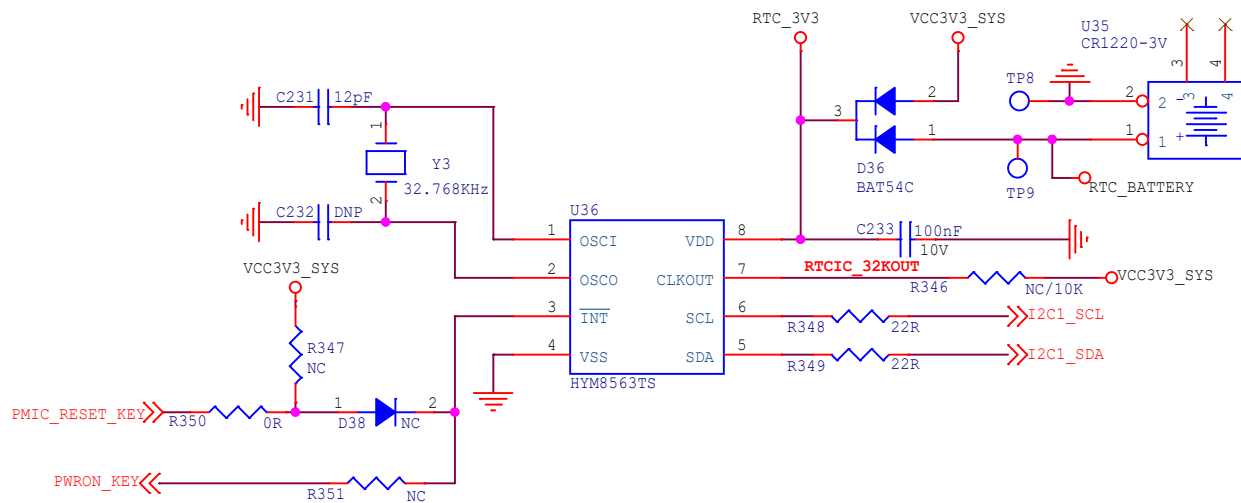


**radxa**

|                                                |                                       |      |
|------------------------------------------------|---------------------------------------|------|
| Size                                           | Title: <b>CM3I IO Board</b>           | REV  |
| A4                                             | Page Name: <b>Ethernet 1000M_RJ45</b> | V1.3 |
| Date: Monday, November 27, 2023 Sheet 15 of 23 |                                       |      |

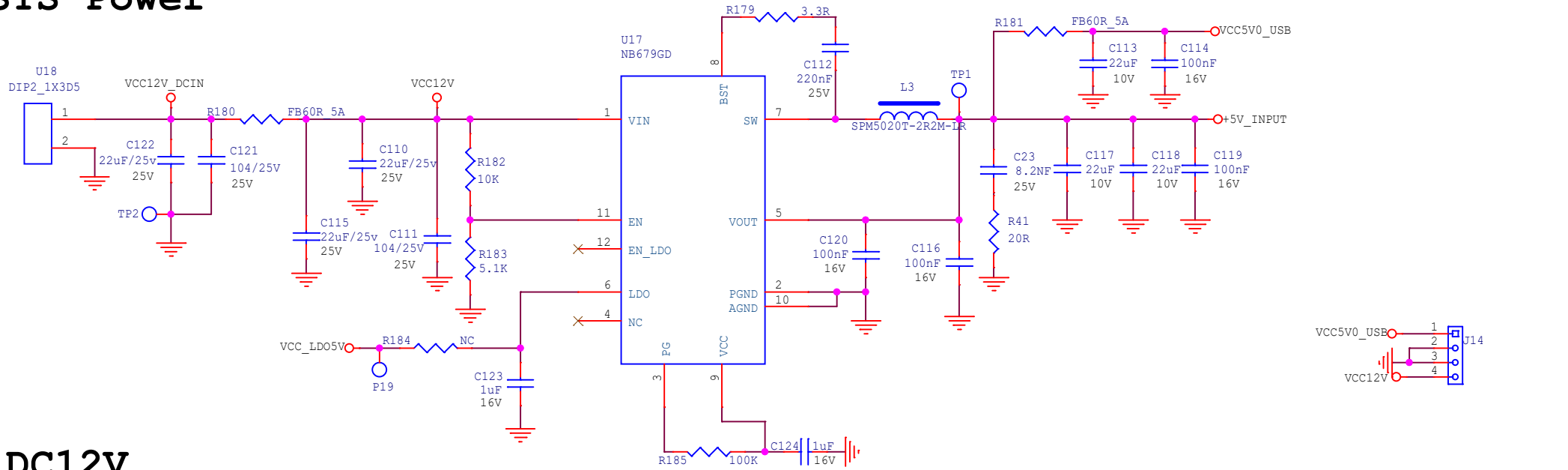




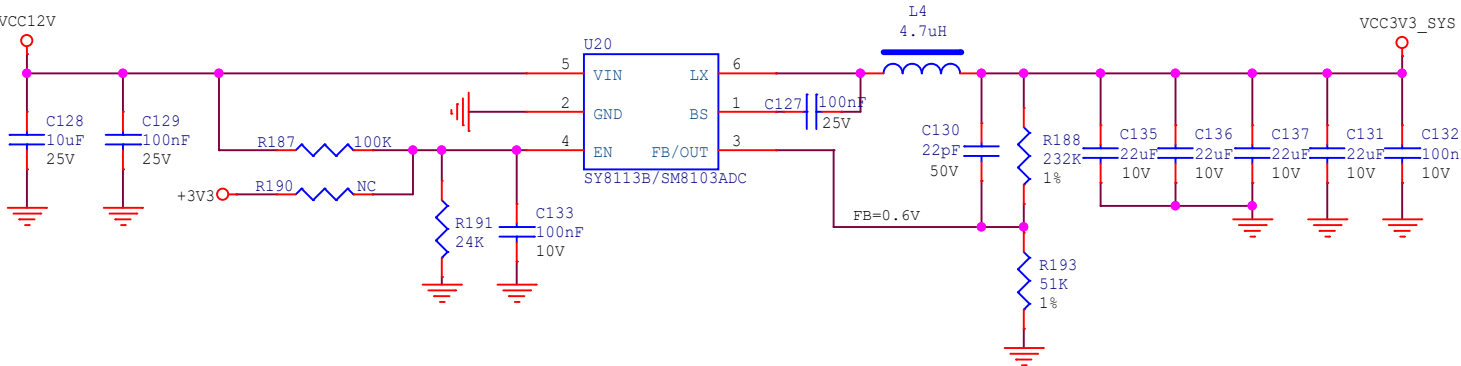
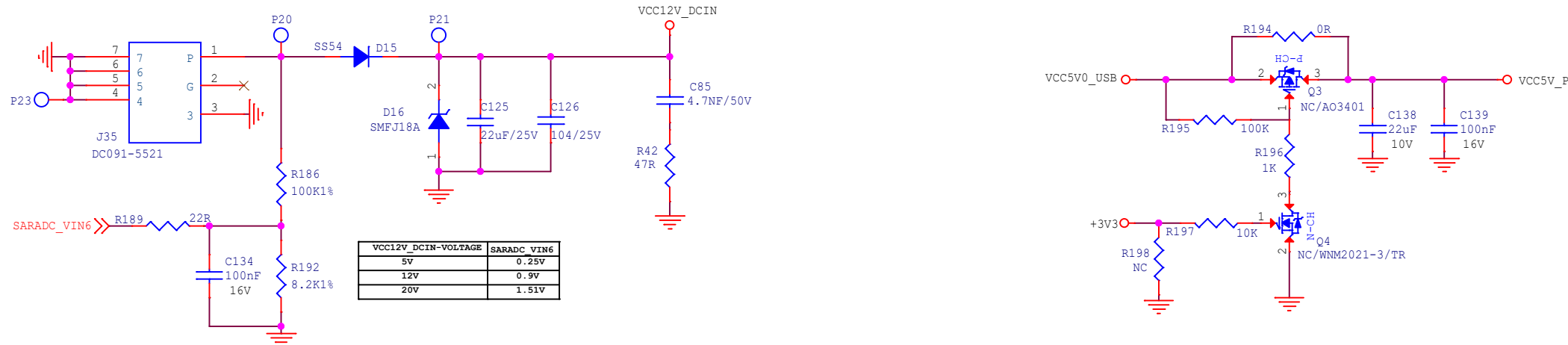


|       |            |                           |                |
|-------|------------|---------------------------|----------------|
| Size  | Title:     | CM3I IO Board             | REV            |
| A4    | Page Name: | FAN_RTC_HOLE              | V1.3           |
| Date: |            | Monday, November 27, 2023 | Sheet 17 of 23 |

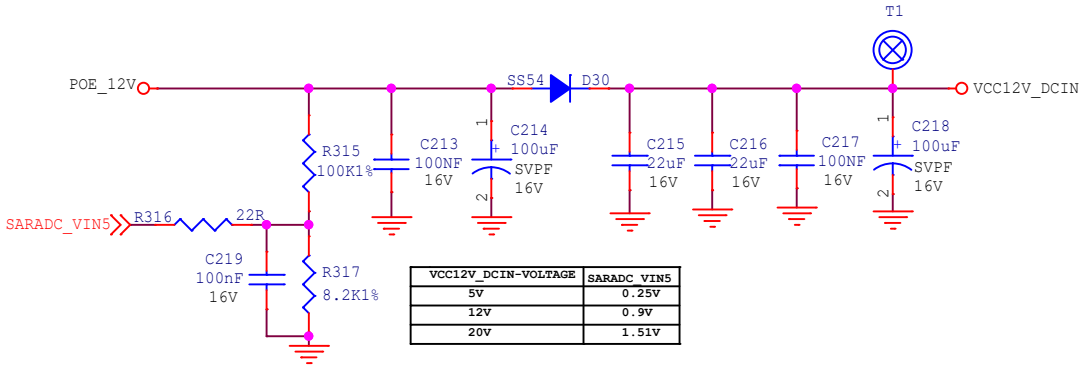
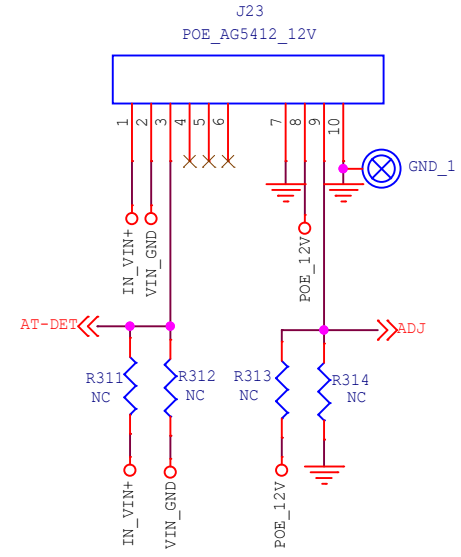
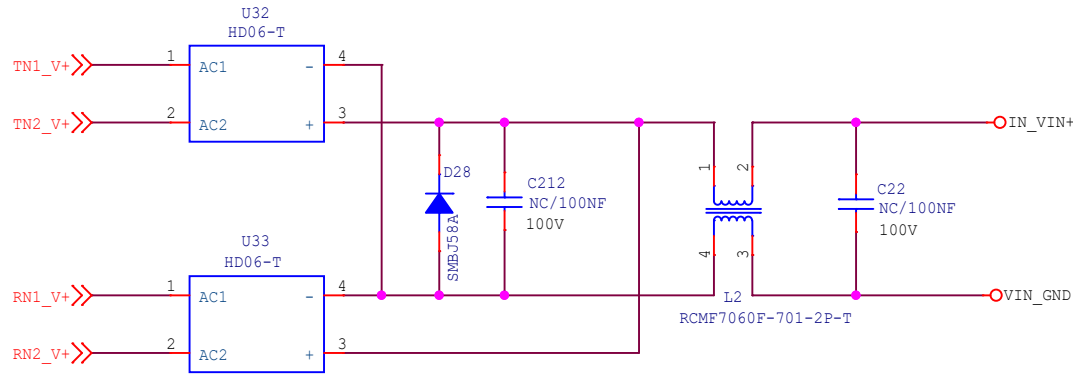
# SYS Power

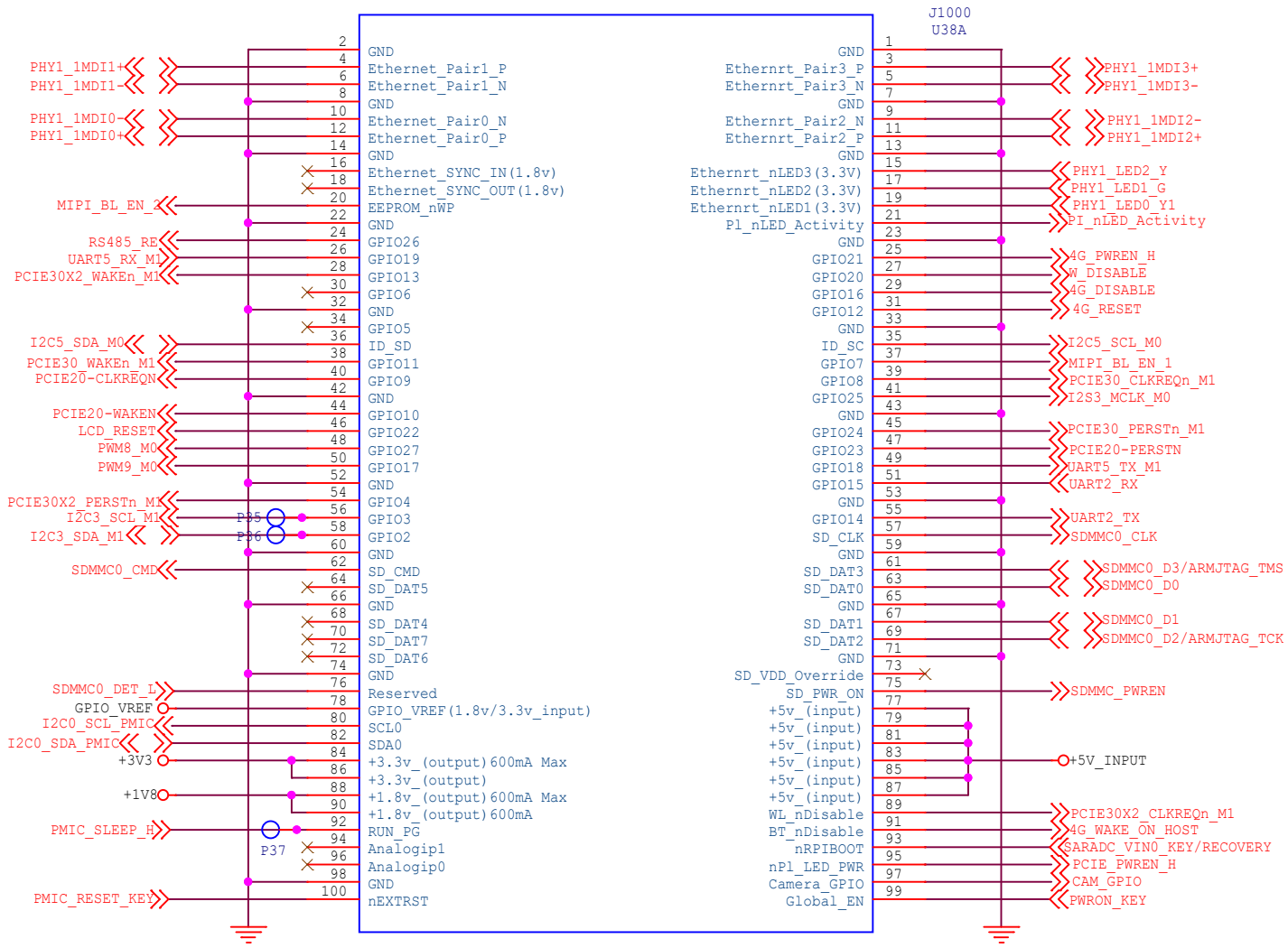



# DC12V



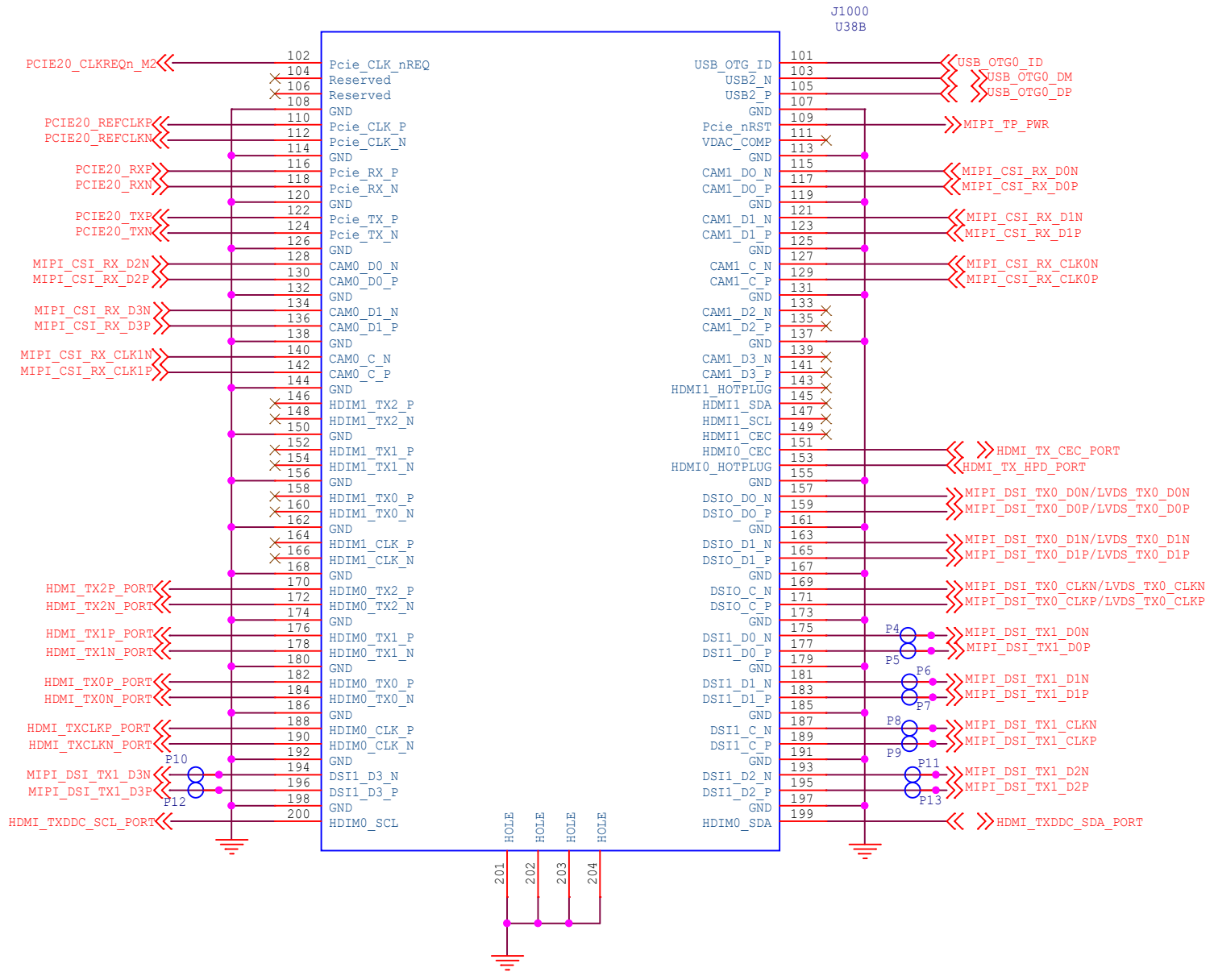
|       |                           |               |          |
|-------|---------------------------|---------------|----------|
| Size  | Title:                    | CM31 IO Board | REV      |
| A4    | Page Name:                | Power DC IN   | V1.3     |
| Date: | Monday, November 27, 2023 | Sheet         | 18 of 23 |



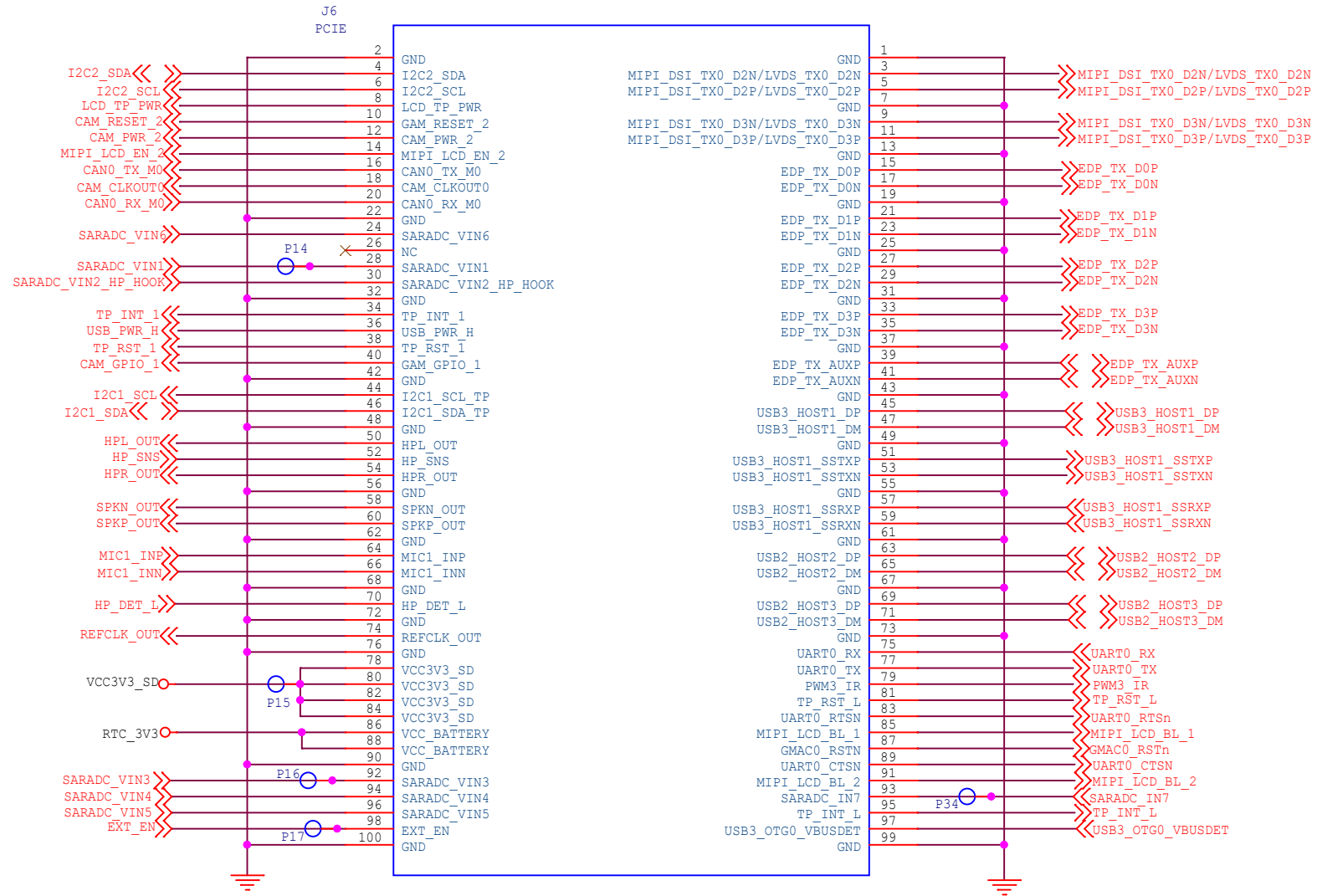




|                                        |                                      |            |
|----------------------------------------|--------------------------------------|------------|
| <b>Size</b>                            | <b>Title:</b> CM3I IO Board          | <b>REV</b> |
| A4                                     | <b>Page Name:</b> GPIO+VCC_Connector | V1.3       |
| <b>Date:</b> Monday, November 27, 2023 |                                      |            |
| <b>Sheet</b> 20 <b>of</b> 23           |                                      |            |



|                                 |                                        |      |
|---------------------------------|----------------------------------------|------|
| Size                            | Title: CM3I IO Board                   | REV  |
| A4                              | Page Name: High Speed Serial_Connector | V1.3 |
| Date: Monday, November 27, 2023 | Sheet 21 of 23                         |      |



I/O J7

