



# CM3 SODIMM IO Board

schematic

V1.51



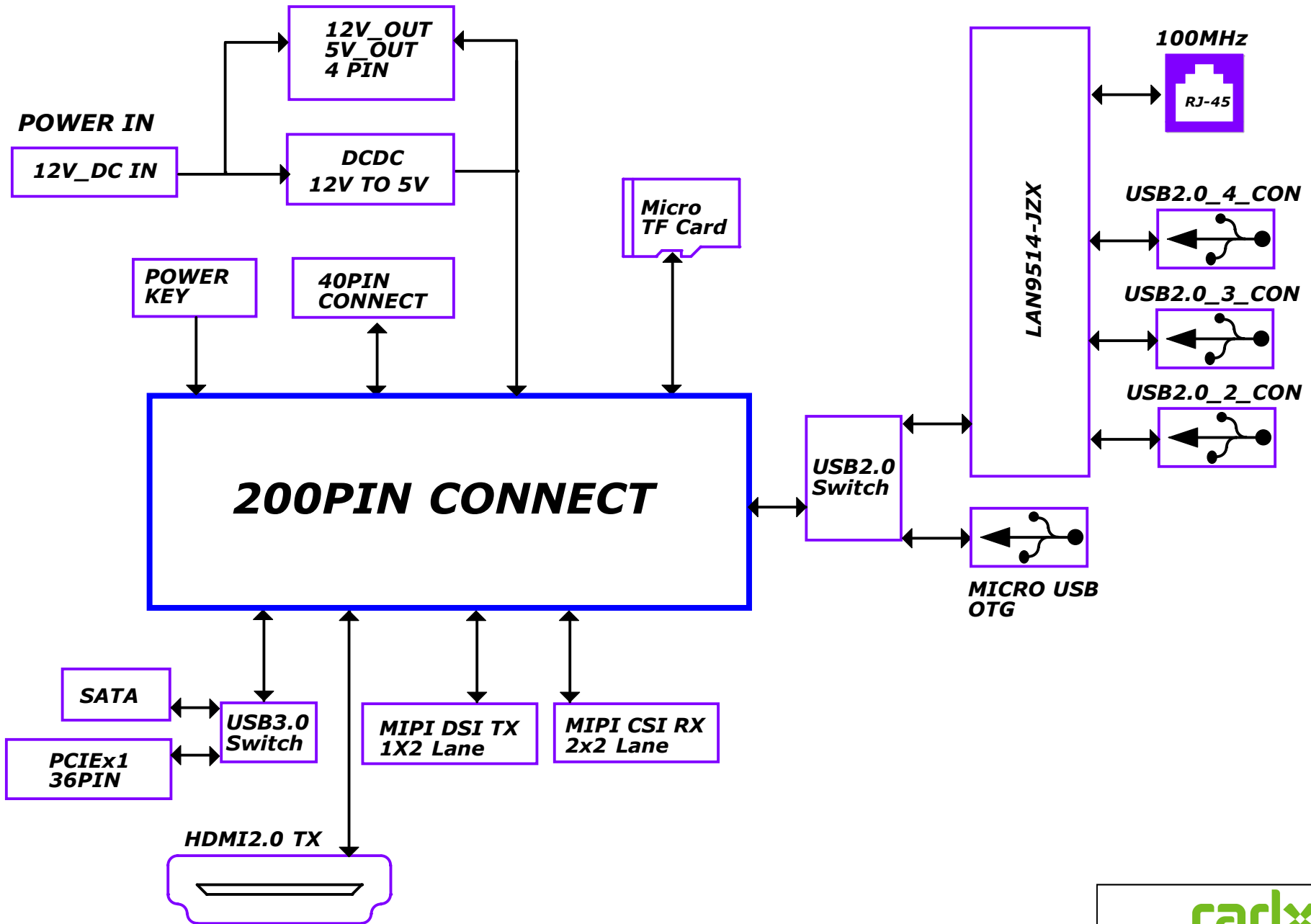
# Table of Content

- 01.cover
- 02.Index
- 03.Block\_Diagram
- 04.MIPI\_DSI\_CSI
- 05.RJ45\_USB2.0
- 06.PCIE2.0\_SATA
- 07.TF Card\_USB OTG
- 08.HDMI OUT
- 09.40PIN\_Boot
- 10.POWER IN
- 11.200PIN CONNECT
- 12.LED\_KEY

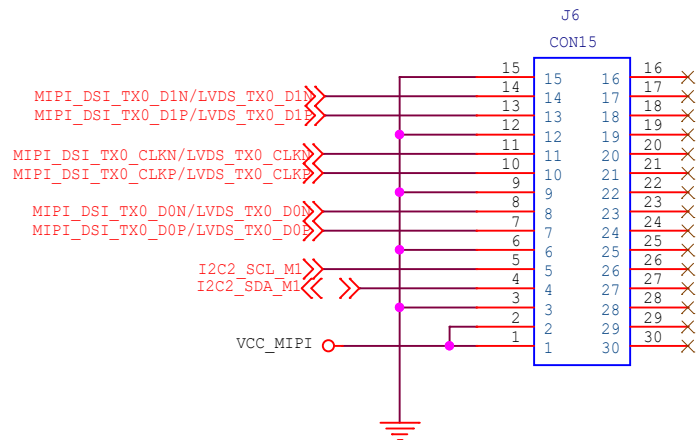
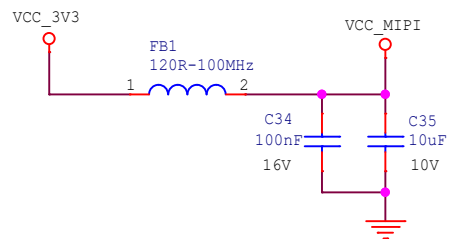


Size	Title: CM3 SODIMM IO Board	REV
A4	Page Name: Index	1.51
Date: Monday, March 27, 2023		
Sheet 02 of 12		

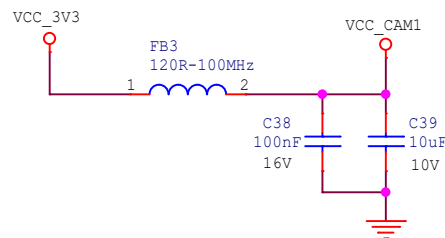
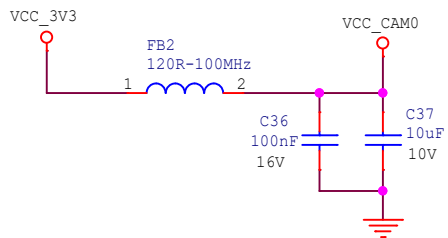
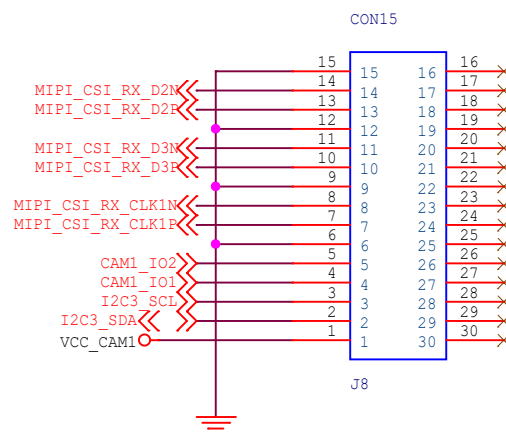
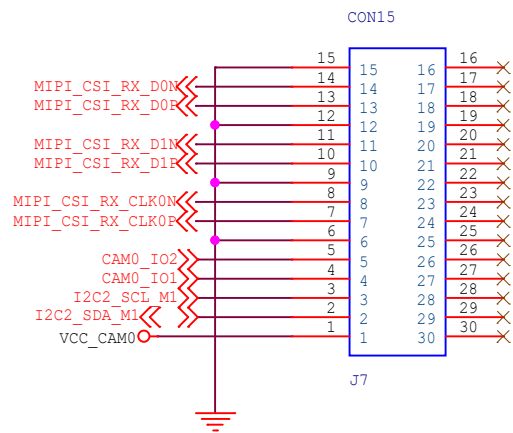
# Block Diagram



# MIPI\_DSI\_TX 2Lanes



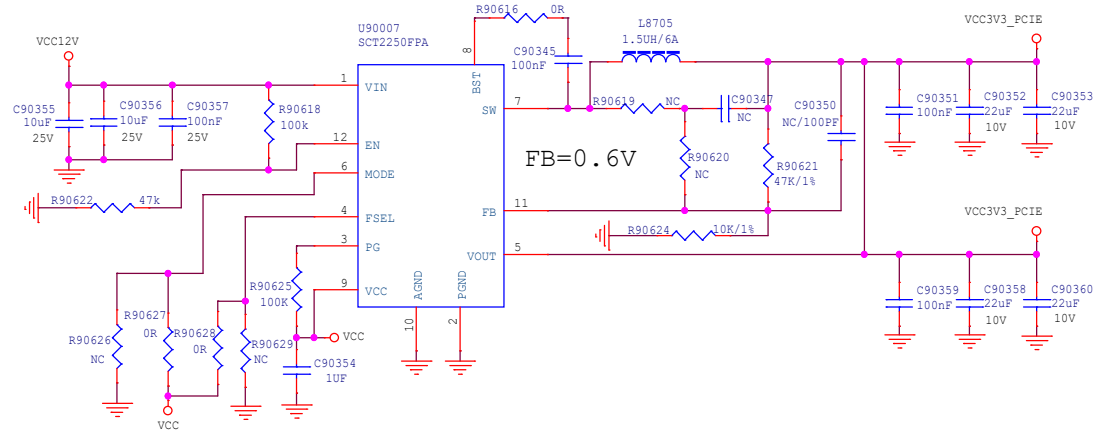
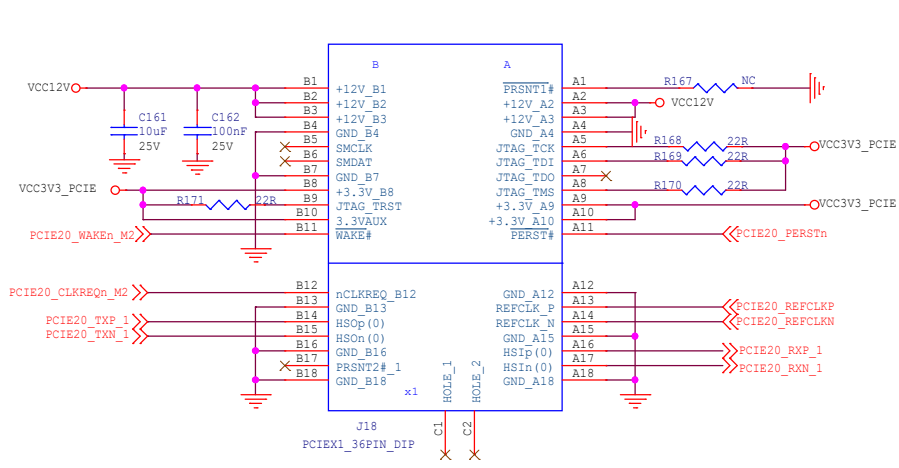
# MIPI\_CSI\_RX 2Lanes



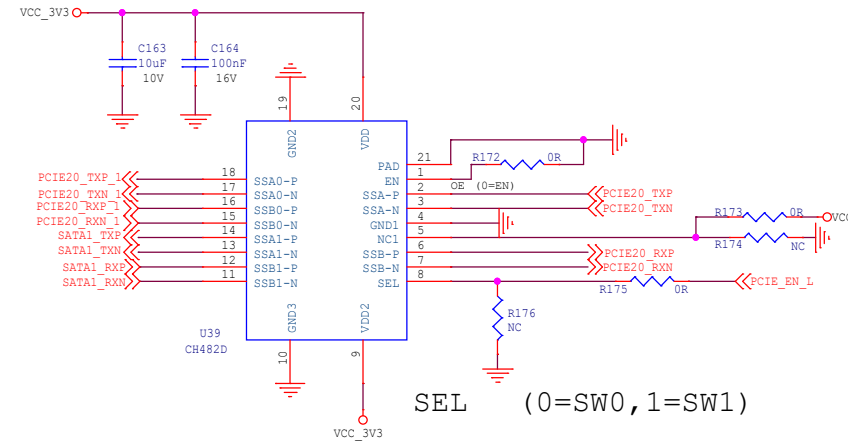
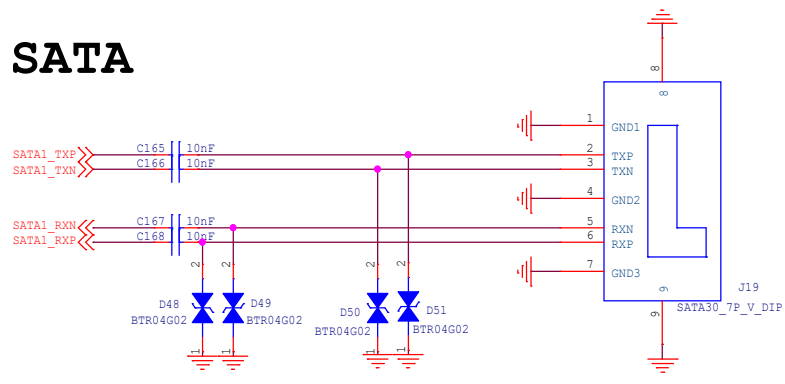
<b>radxa</b>		
Size	Title: <b>CM3 SODIMM IO Board</b>	REV
A4	Page Name: <b>MIPI_DSI_CSI</b>	1.51
Date: Monday, March 27, 2023 Sheet 04 of 12		




# PCIE



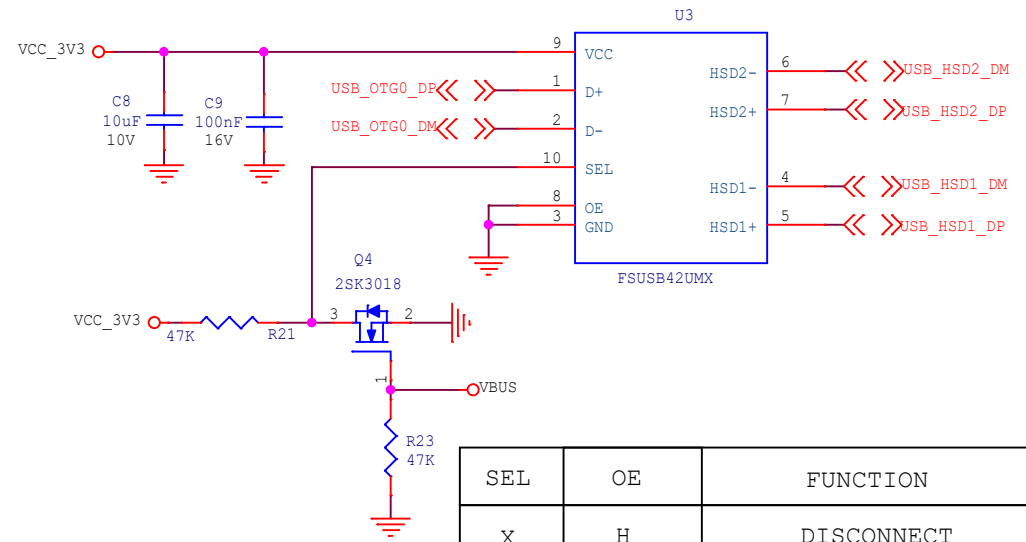
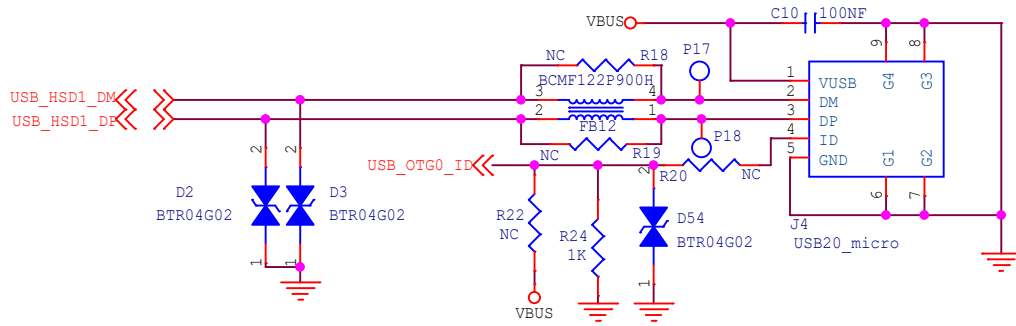
# SATA





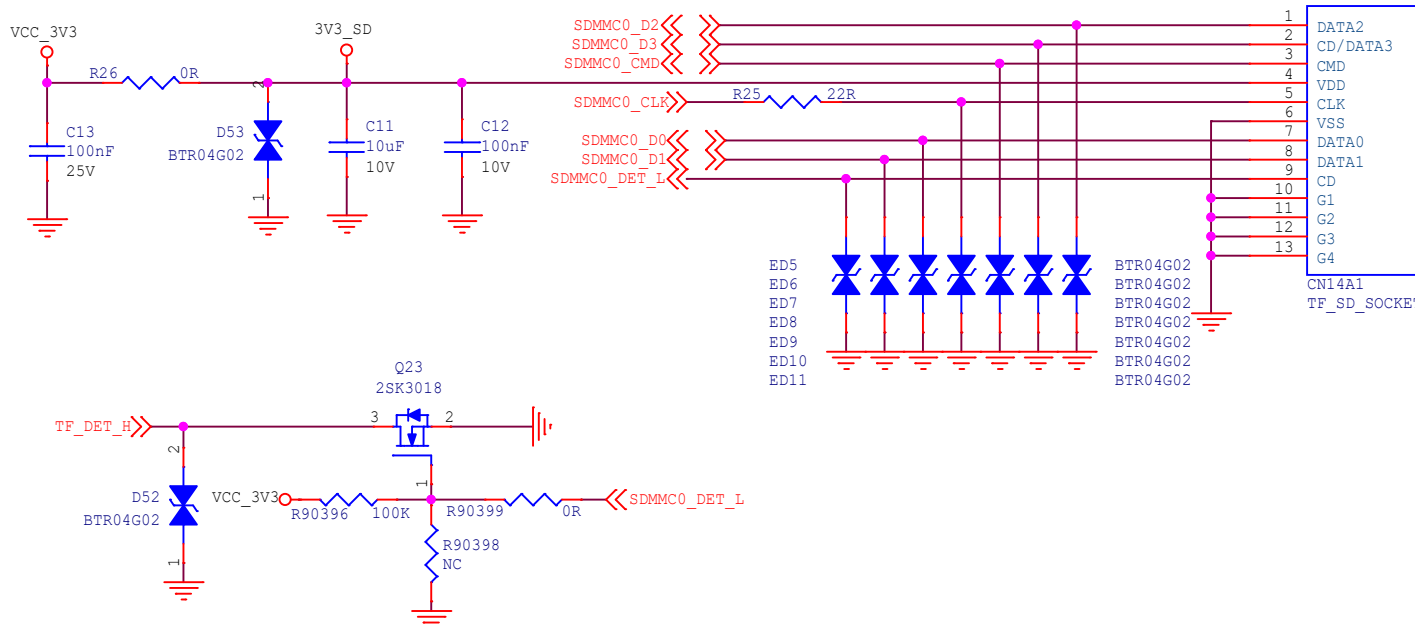
<b>Size</b>	<b>Title:</b> CM3 SODIMM IO Board	<b>REV</b>
<b>B</b>	<b>Page Name:</b> PCIE2.0_SATA	1.51
<b>Date:</b> Monday, March 27, 2023		<b>Sheet</b> 06 <b>of</b> 12


# USB OTG



SEL	OE	FUNCTION
X	H	DISCONNECT
L	L	D+D-=HSD1n
H	L	D+D-=HSD2n

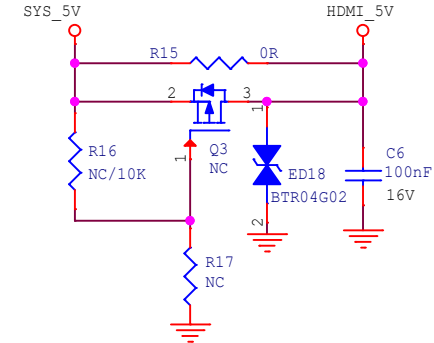
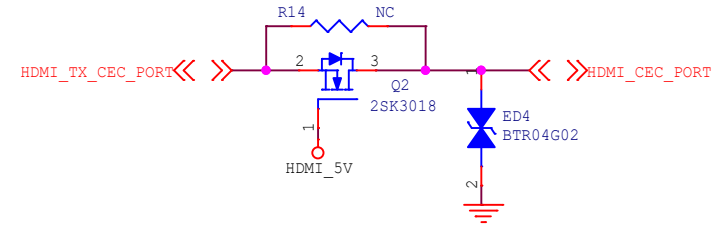
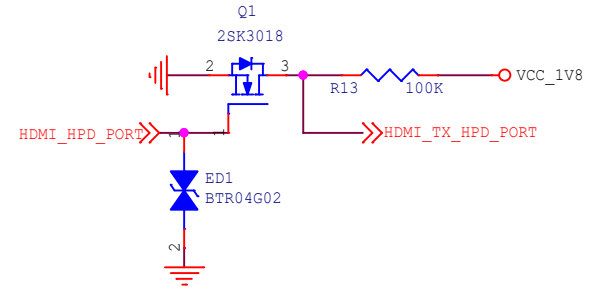
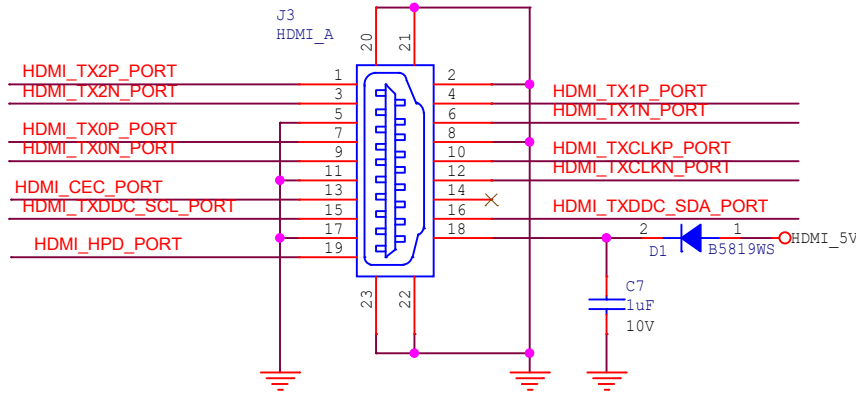
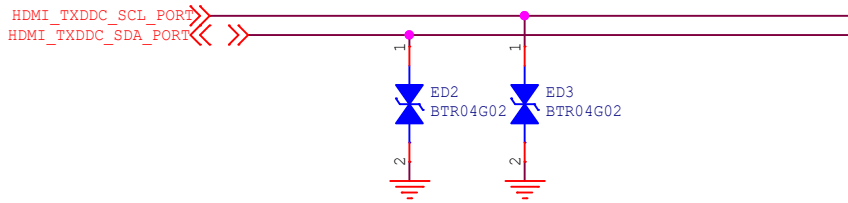
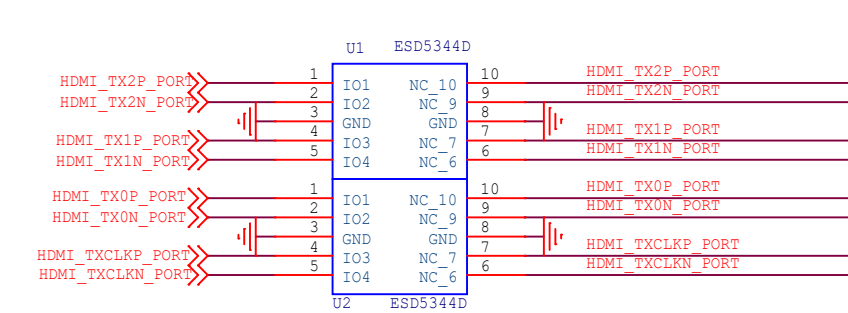
# TF Card





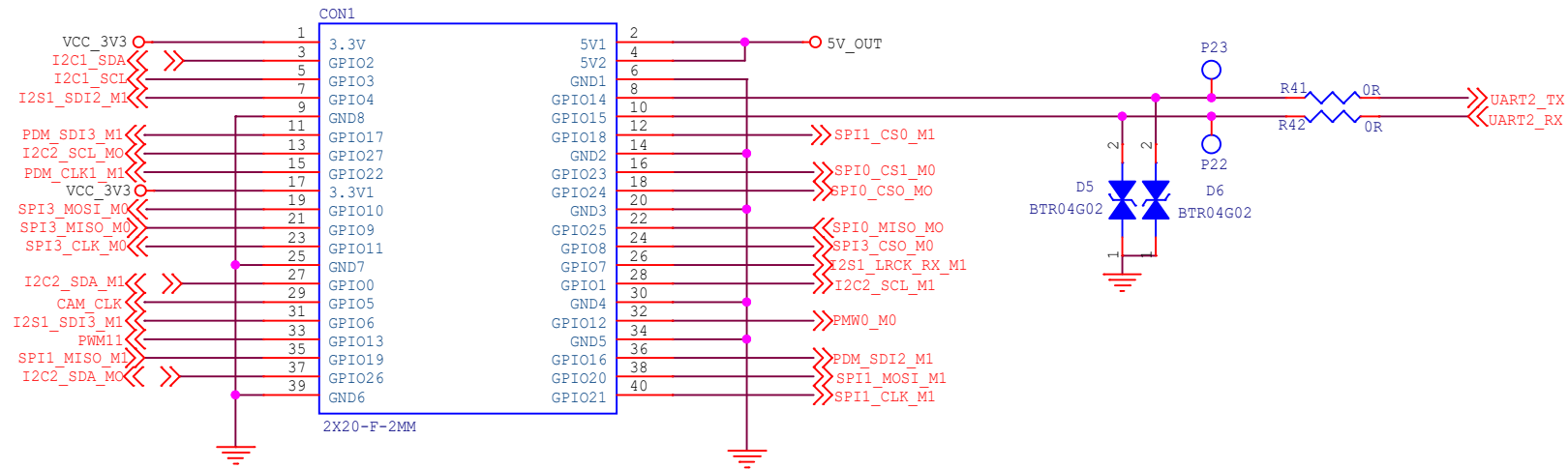
<b>Size</b>	<b>Title:</b> CM3 SODIMM IO Board	<b>REV</b>
A4	<b>Page Name:</b> TF Card_USB OTG	1.51
<b>Date:</b> Monday, March 27, 2023		<b>Sheet</b> 07 <b>of</b> 12

# HDMI2.0 TX

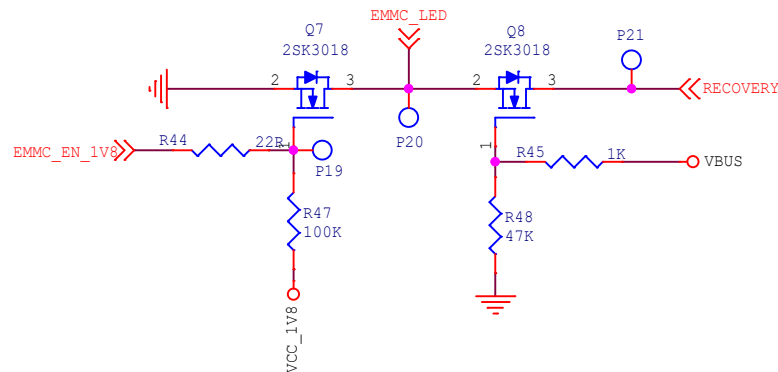


Size	Title: CM3 SODIMM IO Board	REV
A4	Page Name: HDMI OUT	1.51
Date: Monday, March 27, 2023	Sheet 08 of 12	





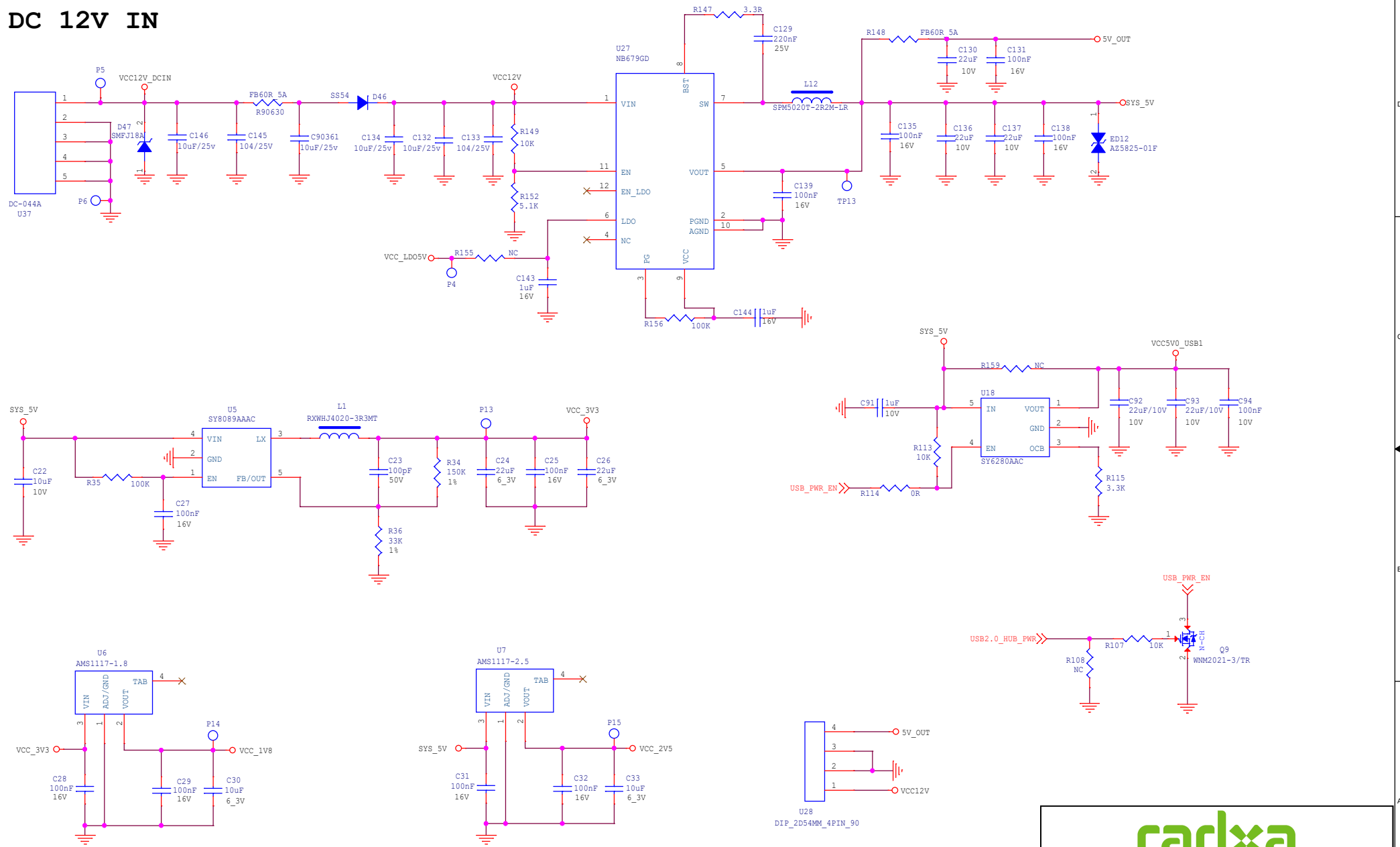
## Download and USER MODE




radxa

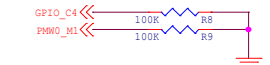
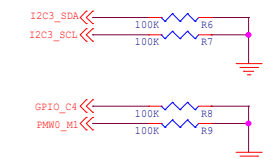
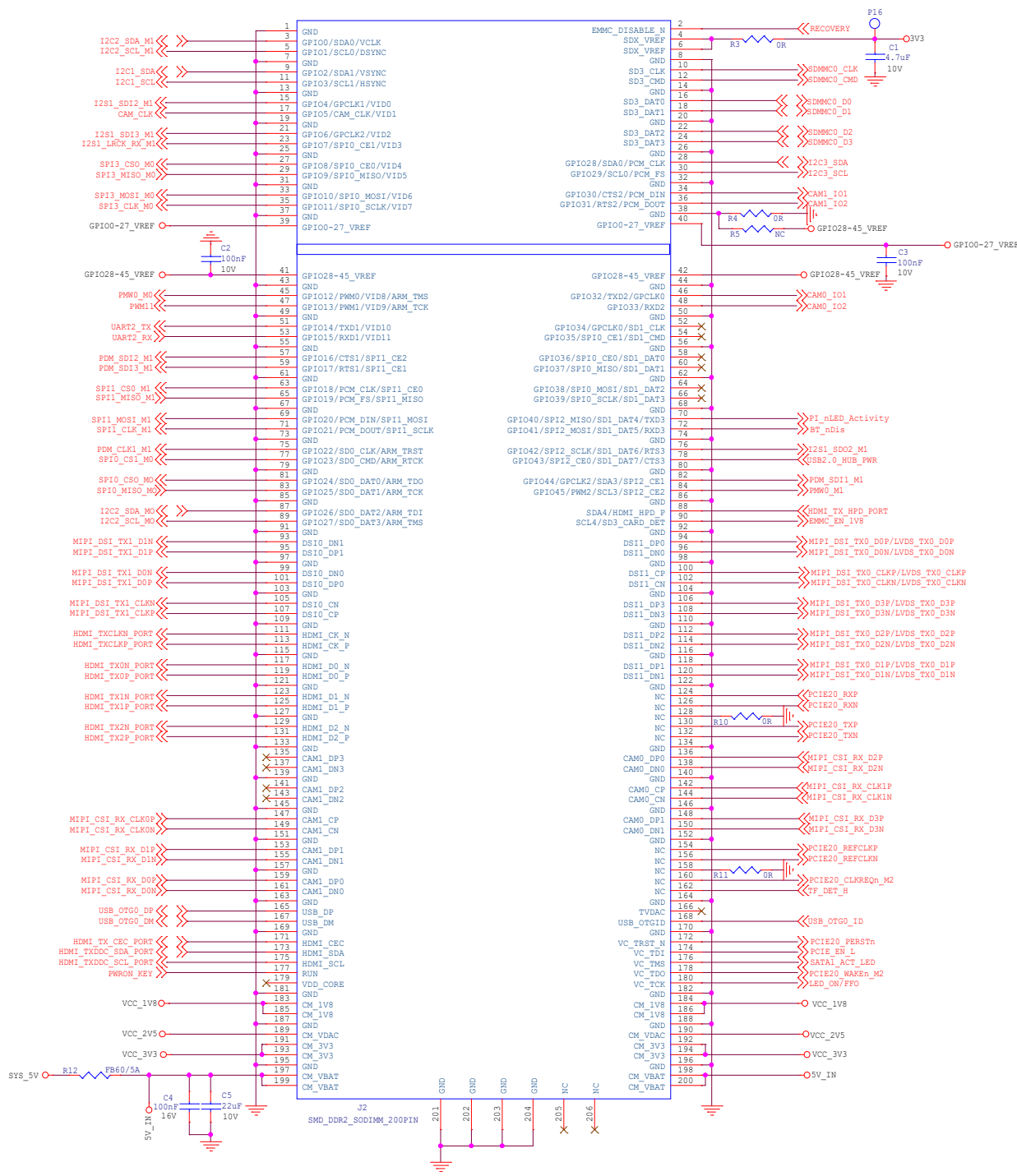
Size	Title: CM3 SODIMM IO Board	REV
A4	Page Name: 40PIN_Boot	1.51
Date: Monday, March 27, 2023	Sheet 09 of 12	

# DC 12V IN

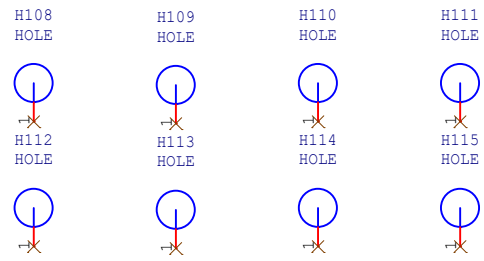
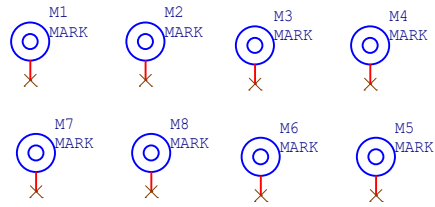
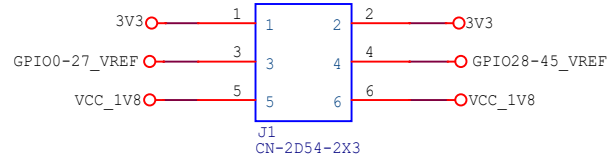
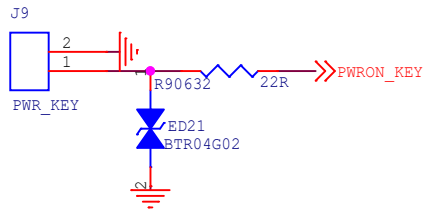
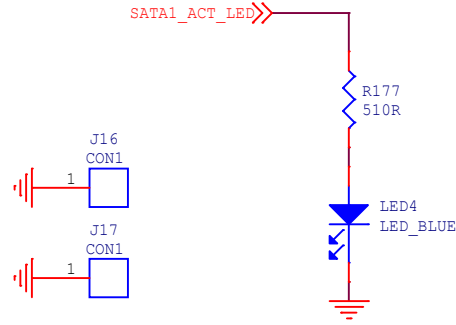
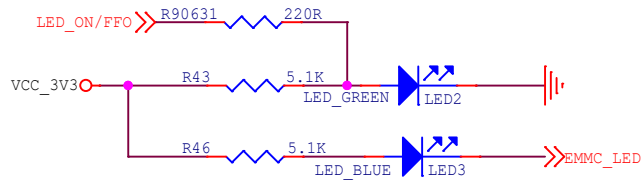




<b>Size</b>	<b>Title:</b> CM3 SODIMM IO Board	<b>REV</b>
<b>B</b>	<b>Page Name:</b> POWER IN	<b>1.51</b>
<b>Date:</b> Monday, March 27, 2023	<b>Sheet</b> 10 <b>of</b> 12	



Size:	Title:	REV:
Custom Page Name:	CM3 SODIMM IO Board	1.51
Date:	200PIN CONNECT	Monday, March 27, 2023
Sheet:	11	of 12



Size	Title: CM3 SODIMM IO Board	REV
A4	Page Name: LED_KEY	1.51
Date:	Monday, March 27, 2023	Sheet 12 of 12