



ROCK 3 Compute SODIMM IO Board

schematic

V1.5

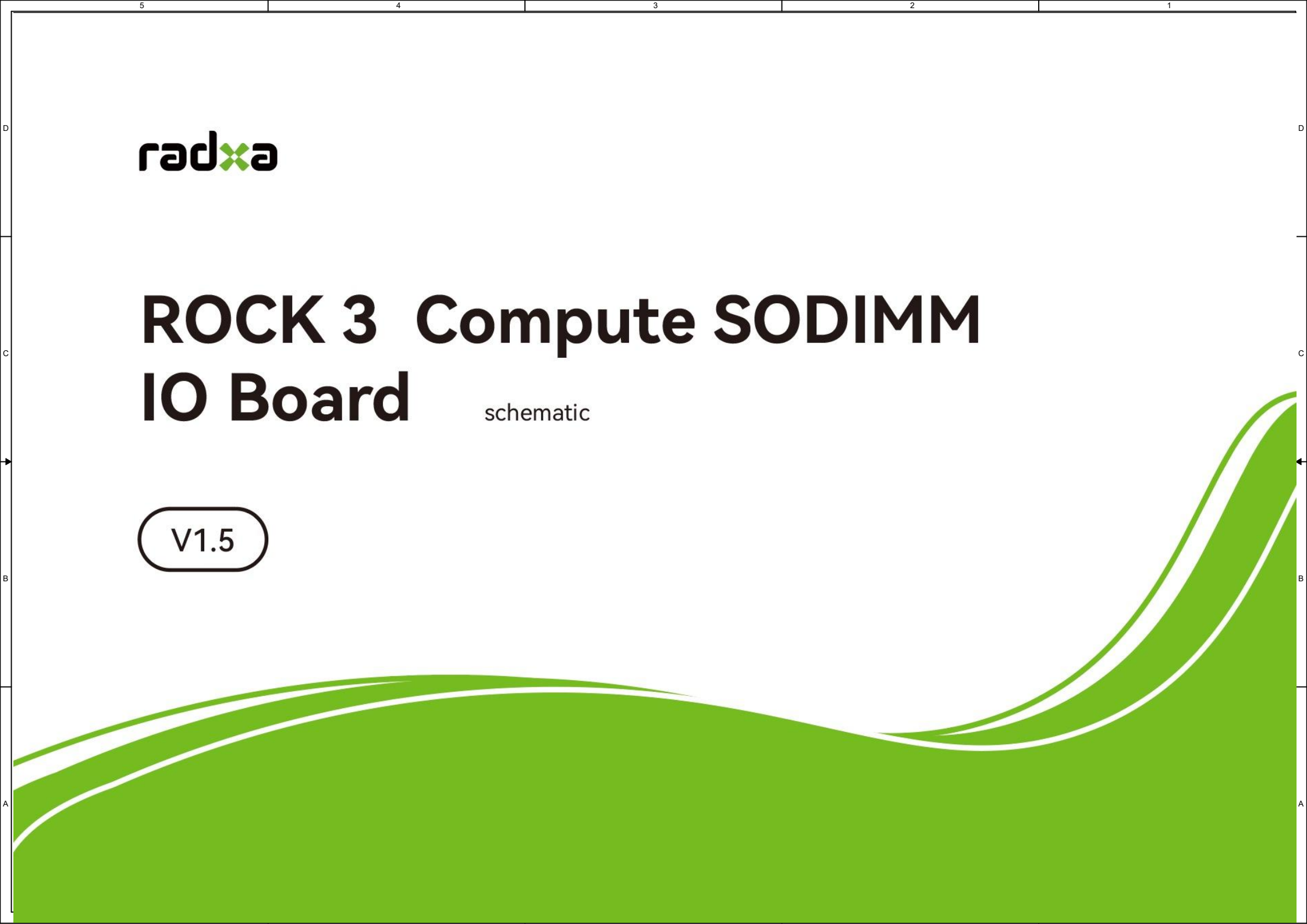


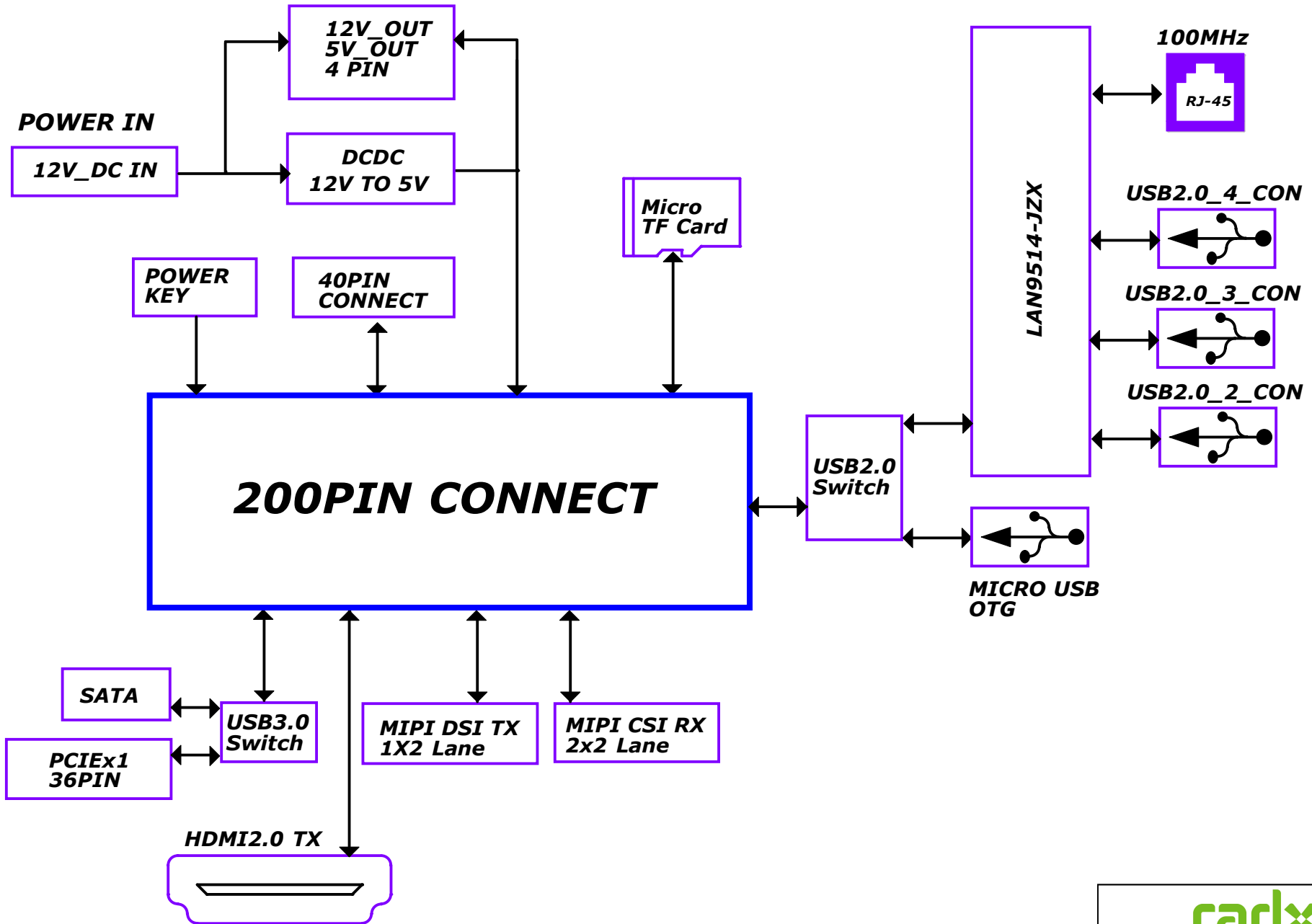
Table of Content

- 01.cover
- 02.Index
- 03.Block_Diagram
- 04.MIPI_DSI_CSI
- 05.RJ45_USB2.0
- 06.PCIE2.0_SATA
- 07.TF Card_USB OTG
- 08.HDMI OUT
- 09.40PIN_Boot
- 10.POWER IN
- 11.200PIN CONNECT
- 12.LED_KEY

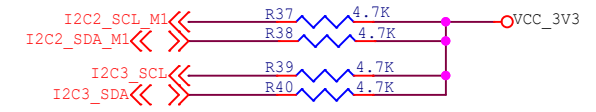
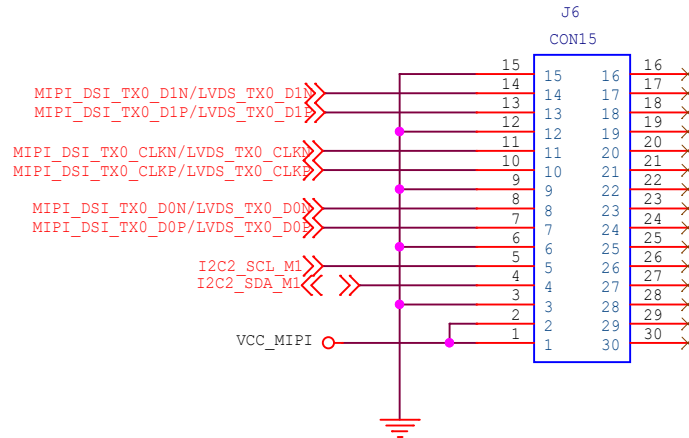
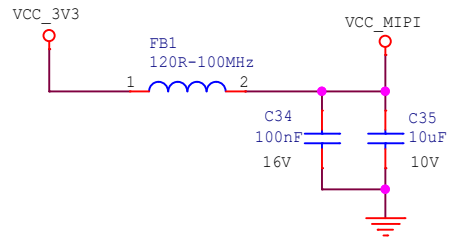


Size	Title: ROCK 3 Compute SODIMM IO Board	REV
A4	Page Name: Index	1.5
Date: Friday, February 03, 2023	Sheet	02 of 12

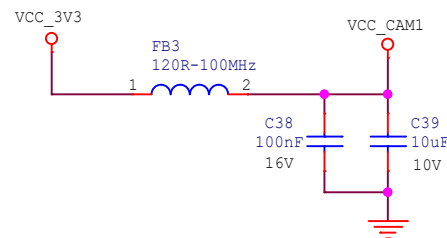
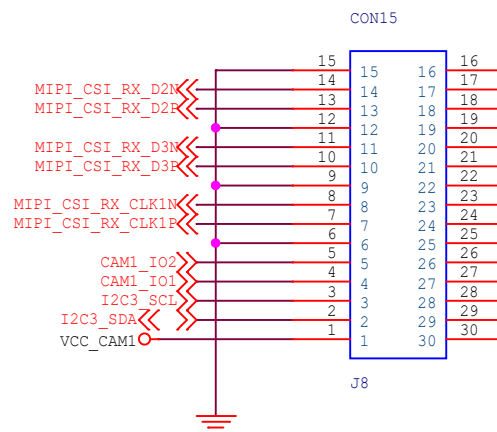
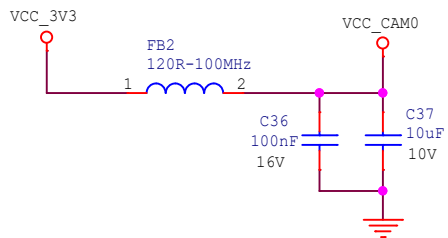
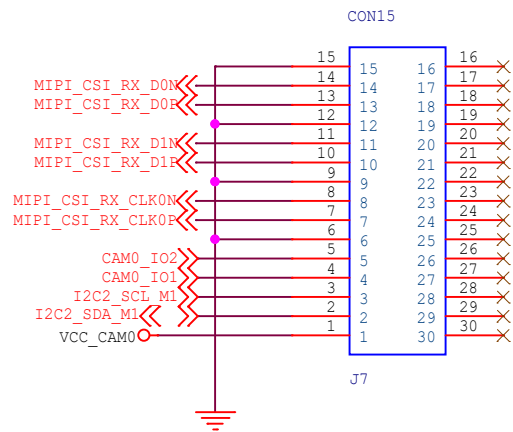
Block Diagram




MIPI_DSI_TX 2Lanes



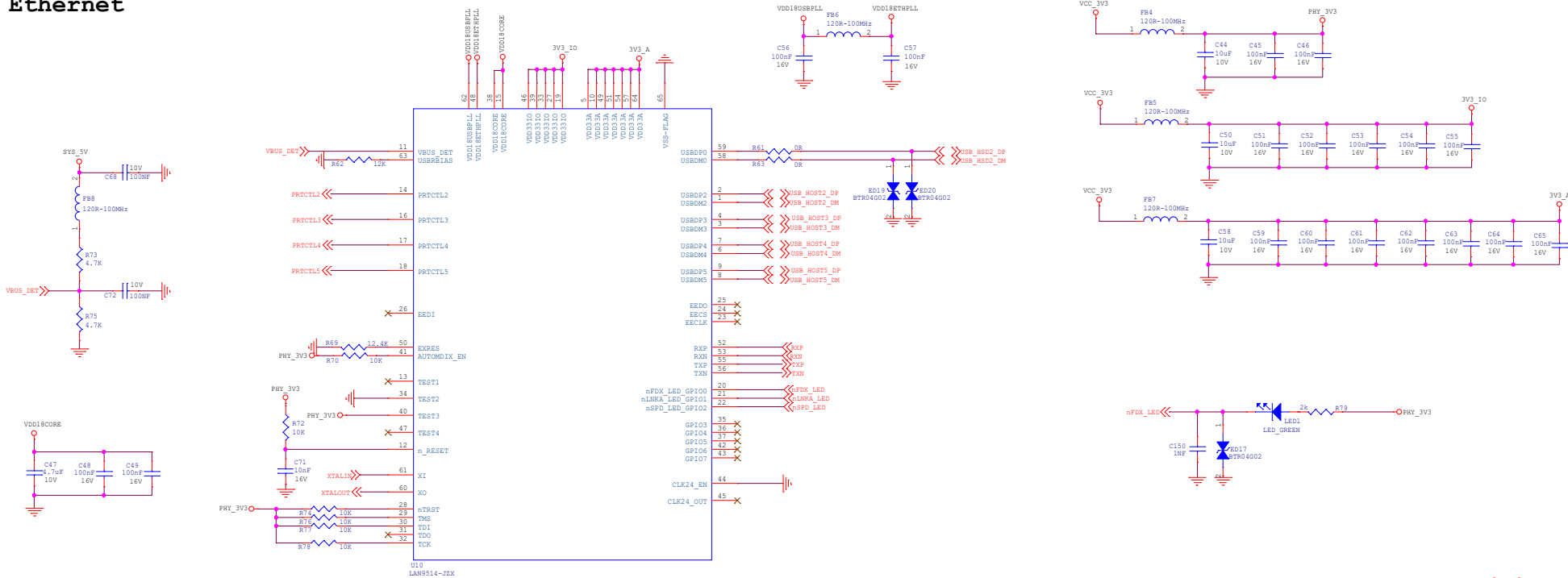
MIPI_CSI_RX 2Lanes



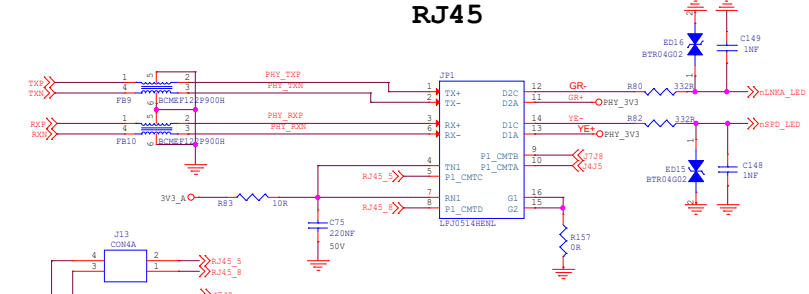


Size	Title: ROCK 3 Compute SODIMM IO Board	REV
A4	Page Name: MIPI_DSI_CSI	1.5
Date: Friday, February 03, 2023		
Sheet 04 of 12		

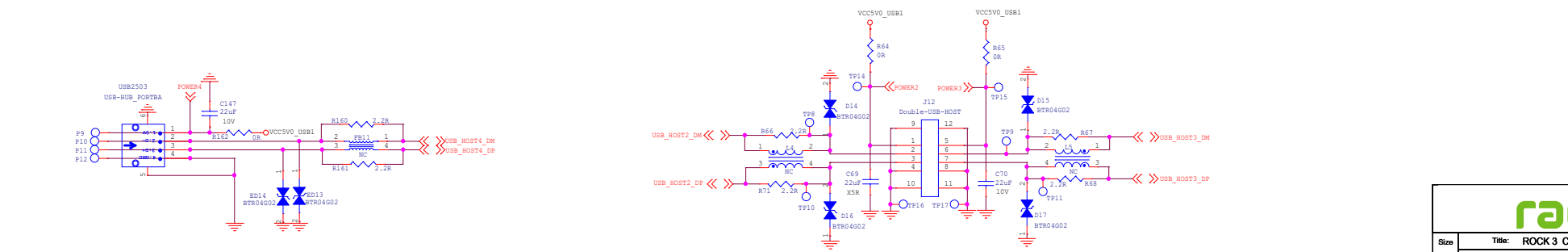
Ethernet



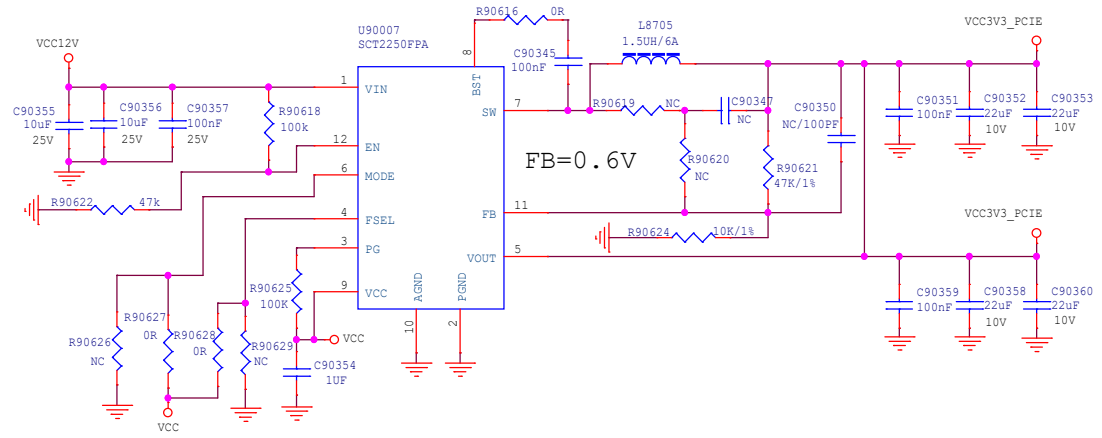
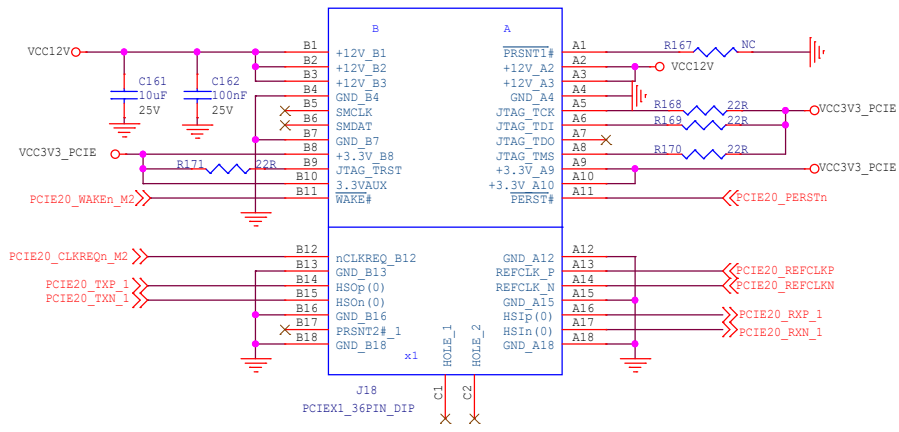
RJ45



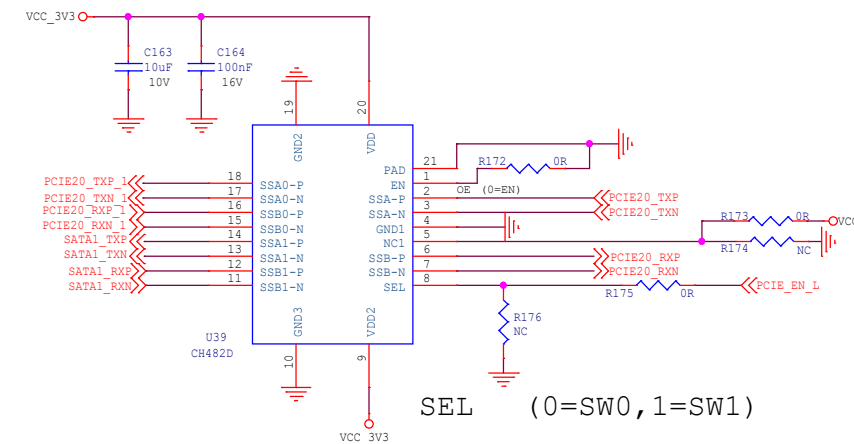
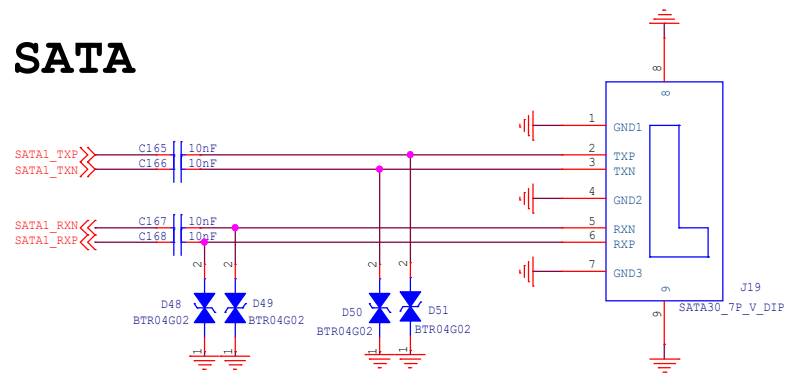
USB2.0




PCIE



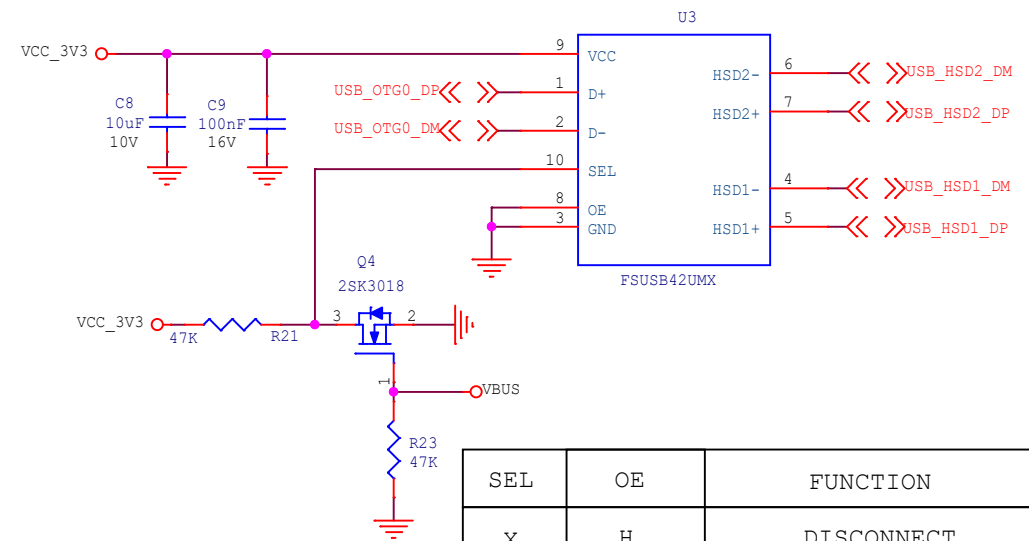
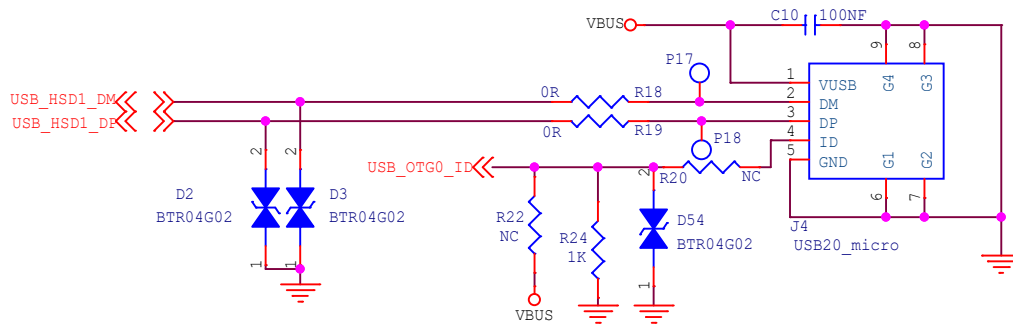
SATA





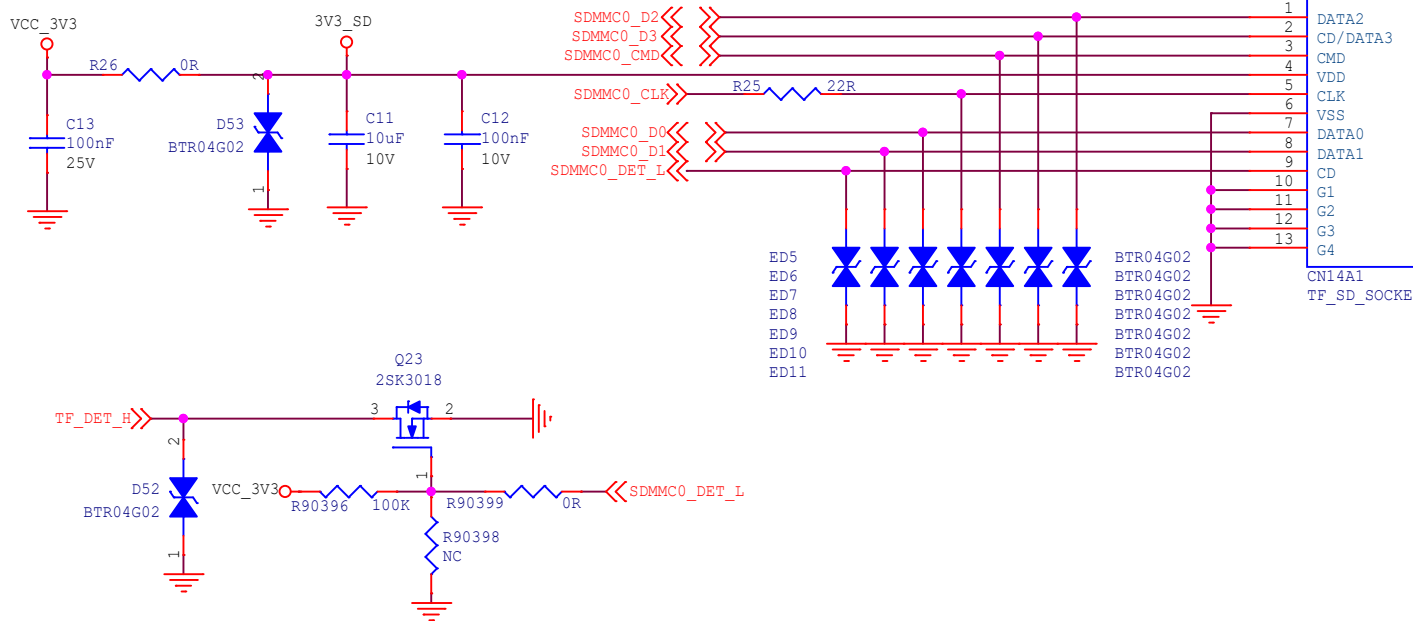

Size	Title: ROCK 3 Compute SODIMM IO Board	REV
B	Page Name: PCIE2.0_SATA	1.5
Date:	Friday, February 03, 2023	Sheet 06 of 12

USB OTG



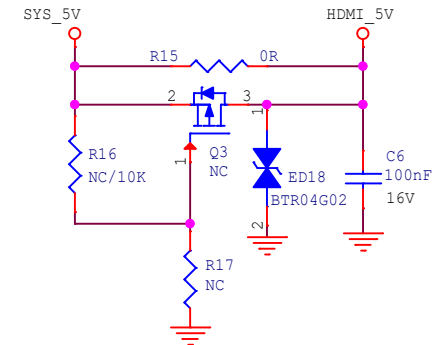
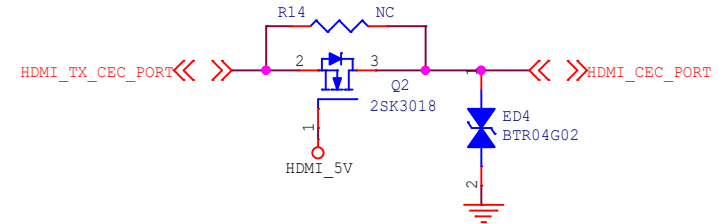
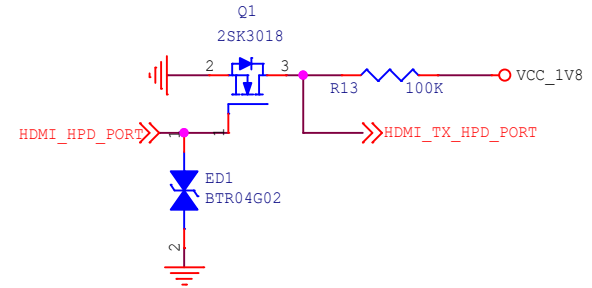
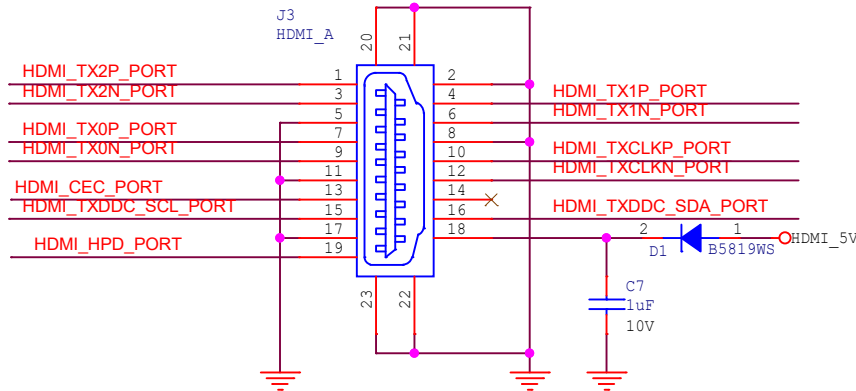
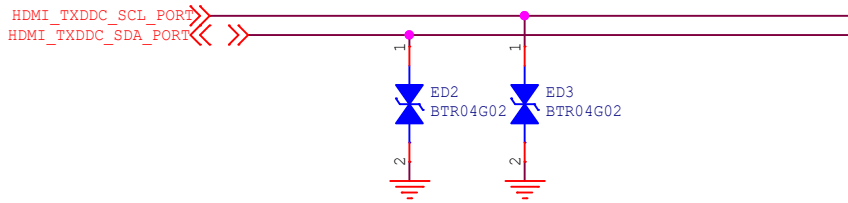
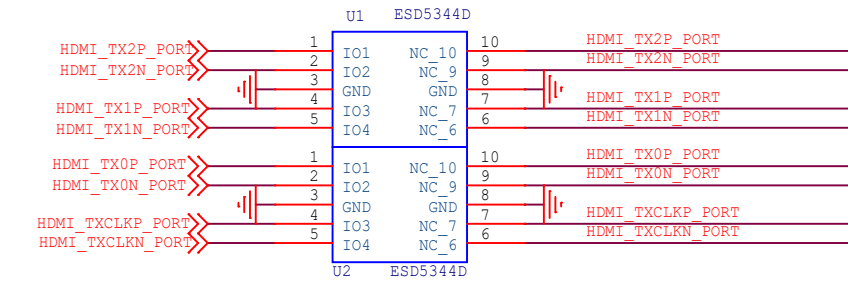
SEL	OE	FUNCTION
X	H	DISCONNECT
L	L	D+D-=HSD1n
H	L	D+D-=HSD2n

TF Card

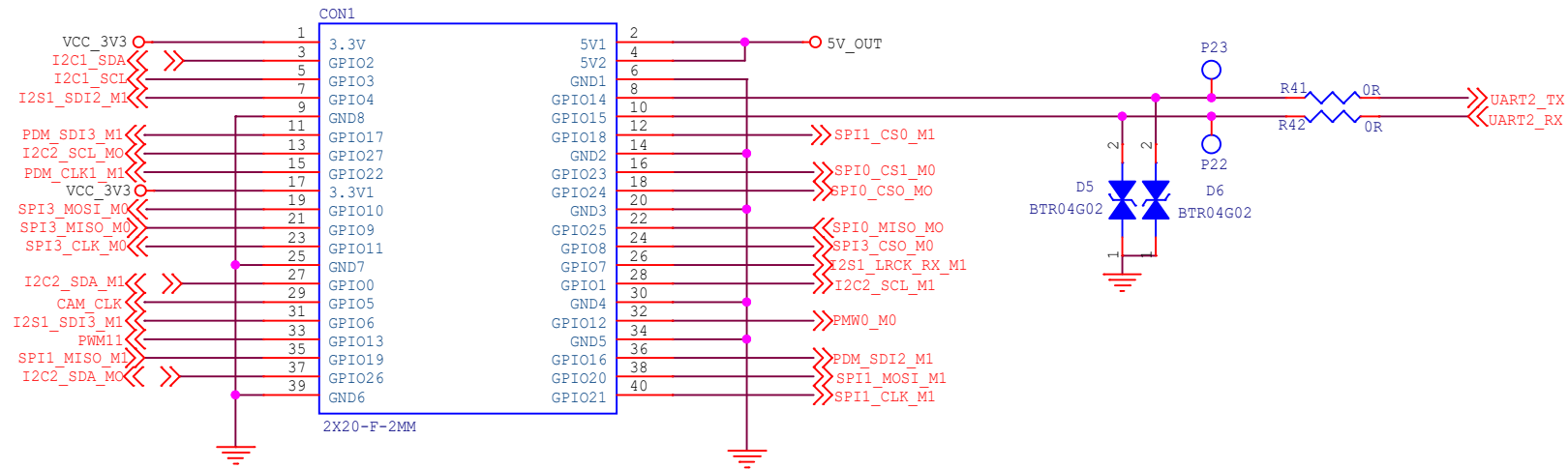



Size	Title: ROCK 3 Compute SODIMM IO Board	REV
A4	Page Name: TF Card_USB OTG	1.5
Date: Friday, February 03, 2023		Sheet 07 of 12

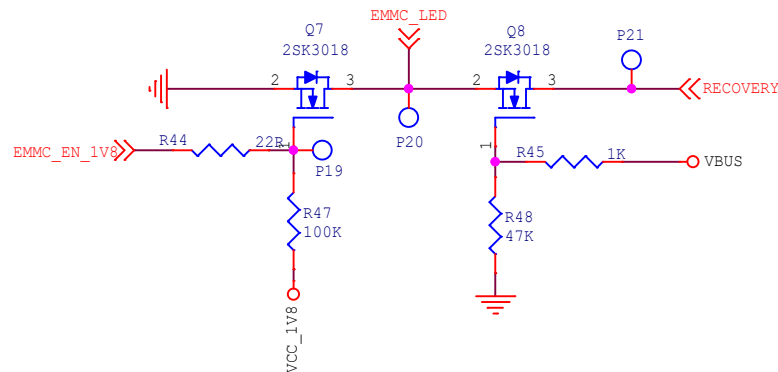
HDMI2.0 TX



Size	Title: ROCK 3 Compute SODIMM IO Board	REV
A4	Page Name: HDMI OUT	1.5
Date:	Friday, February 03, 2023	Sheet 08 of 12



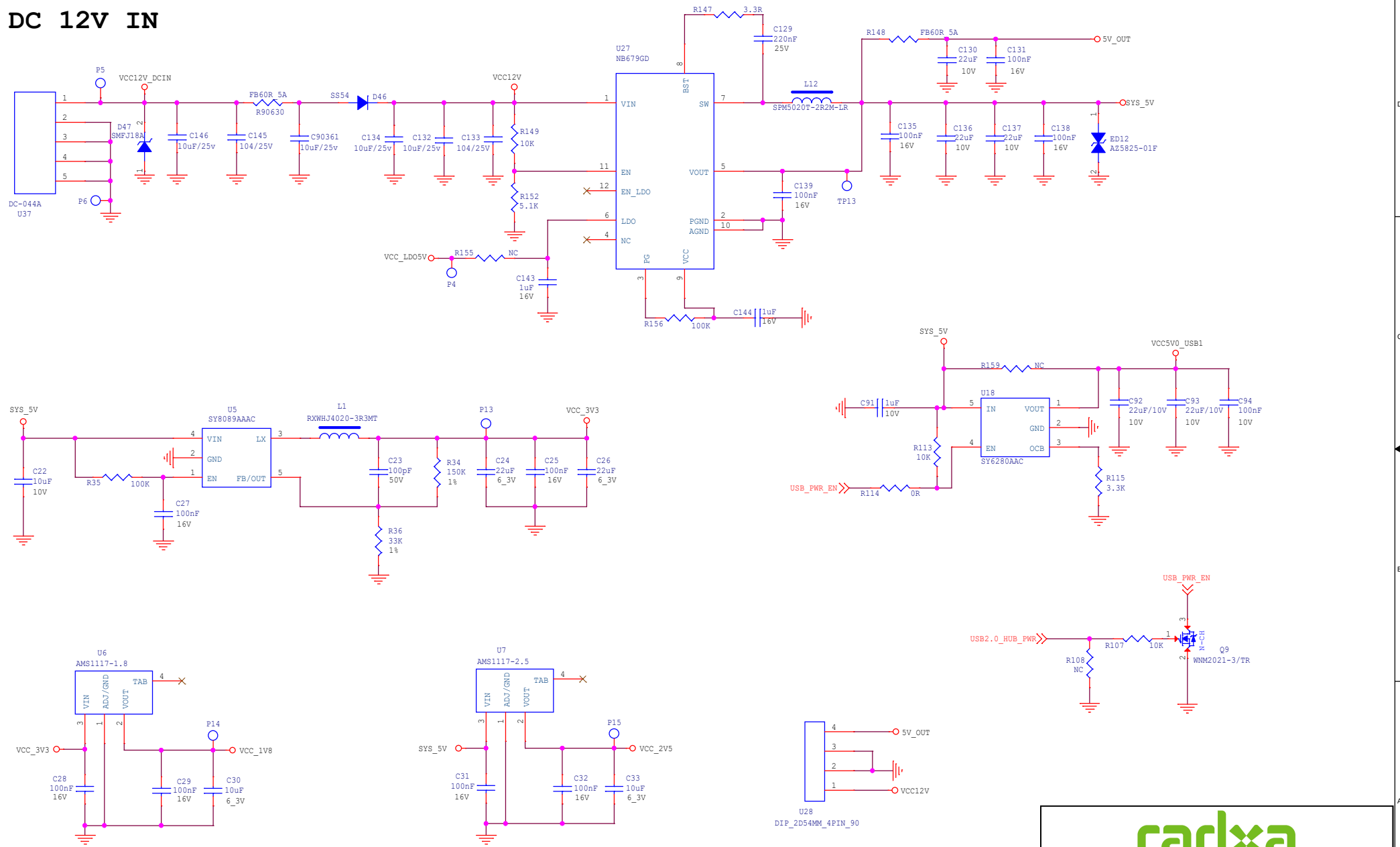
Download and USER MODE




radxa

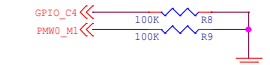
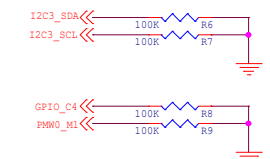
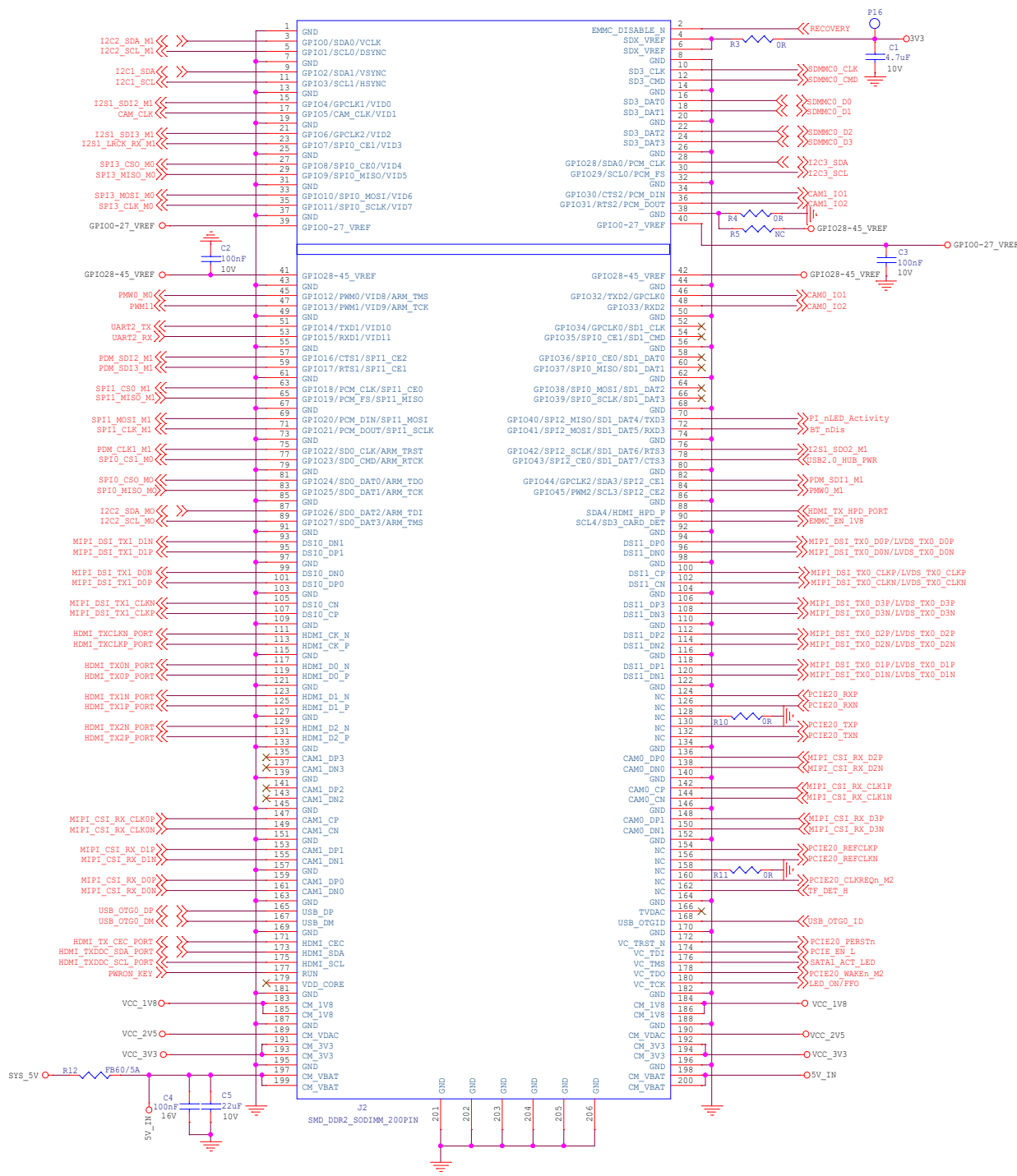
Size	Title: ROCK 3 Compute SODIMM IO Board	REV
A4	Page Name: 40PIN_Boot	1.5
Date: Friday, February 03, 2023	Sheet	09 of 12


DC 12V IN





Size	Title: ROCK 3 Compute SODIMM IO Board	REV
B	Page Name: POWER IN	1.5
Date:	Friday, February 03, 2023	Sheet 10 of 12





Size	Title: ROCK 3 Compute SODIMM IO Board	REV
Custom Page Name:	200PIN CONNECT	
Date: Friday, February 03, 2023	Sheet	11 of 12

