



# Radxa CM5 IO Board

schematic

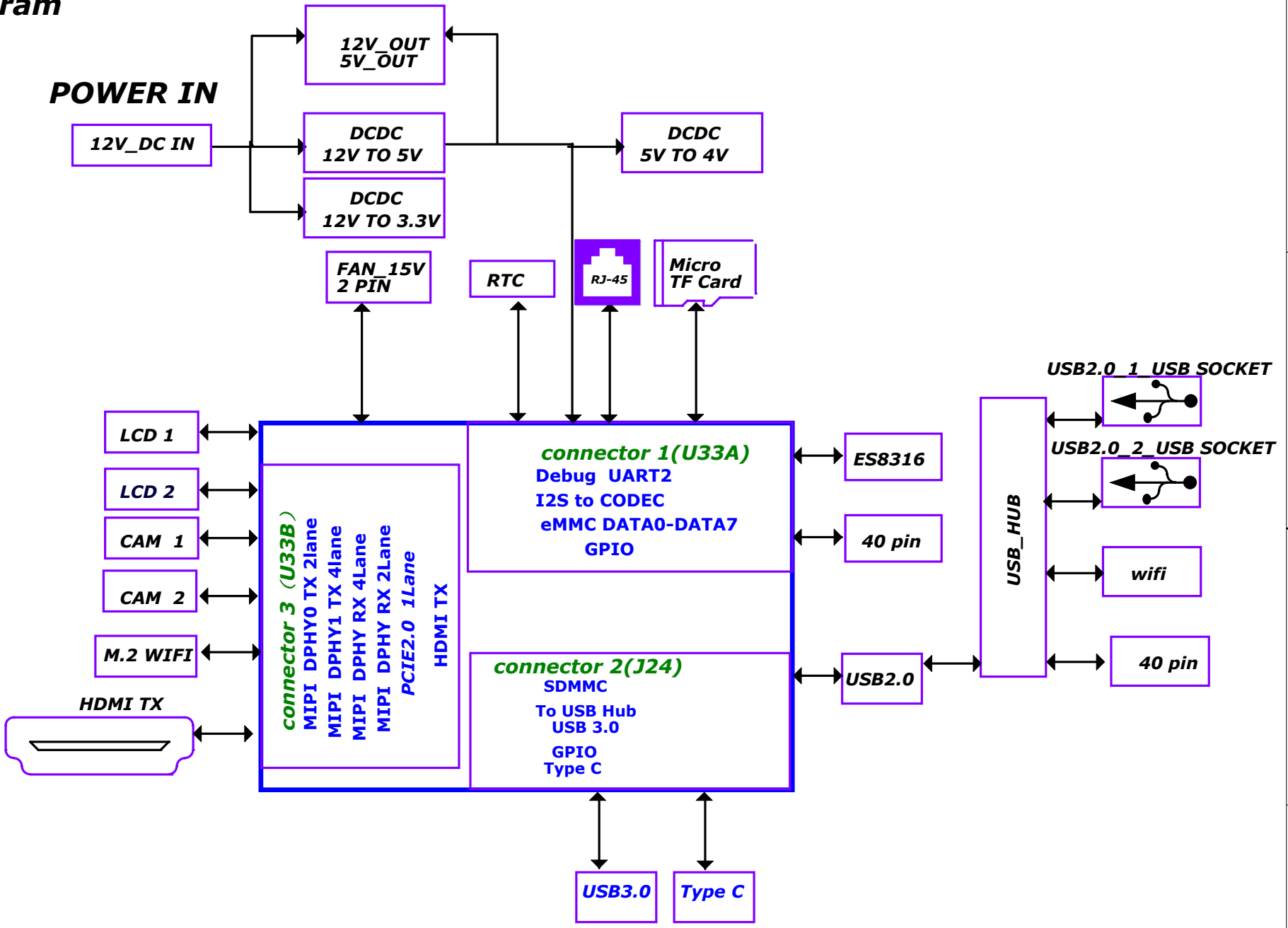
V2.2

# Index

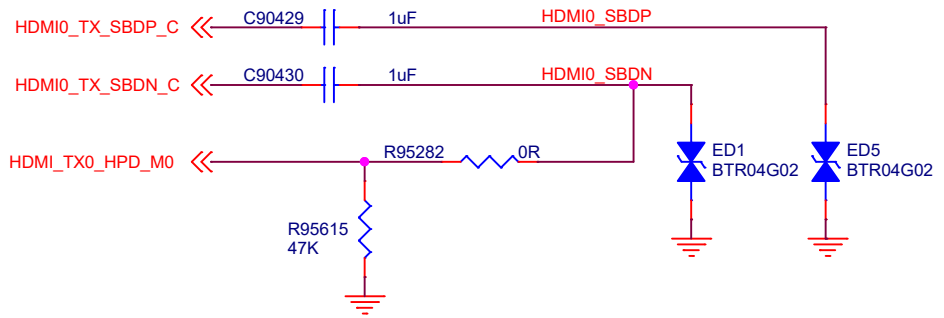
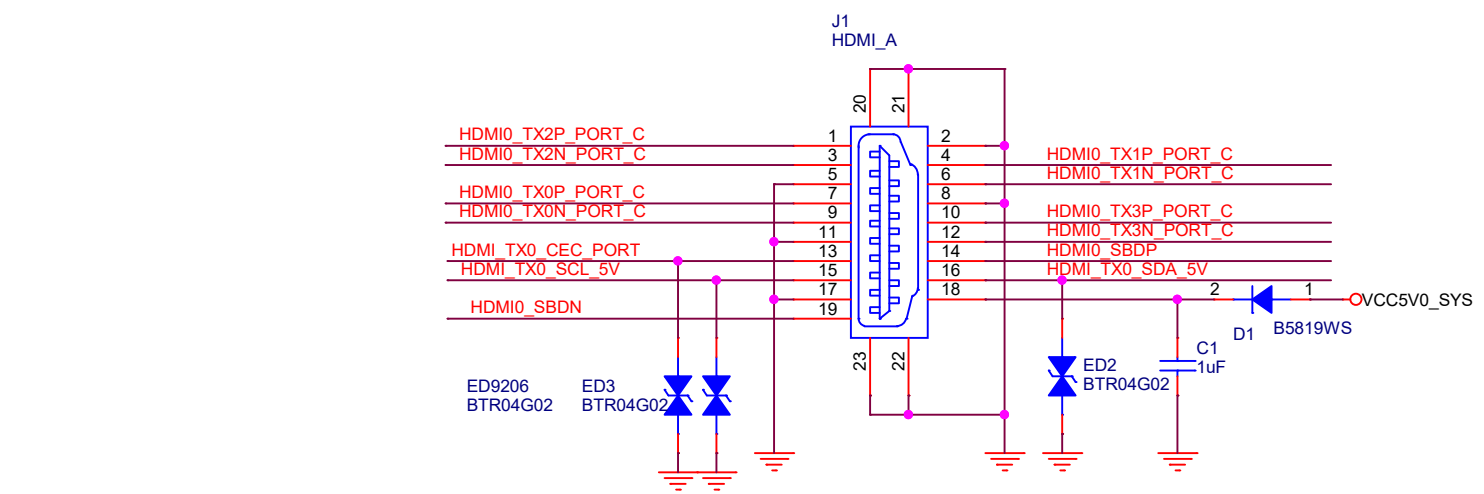
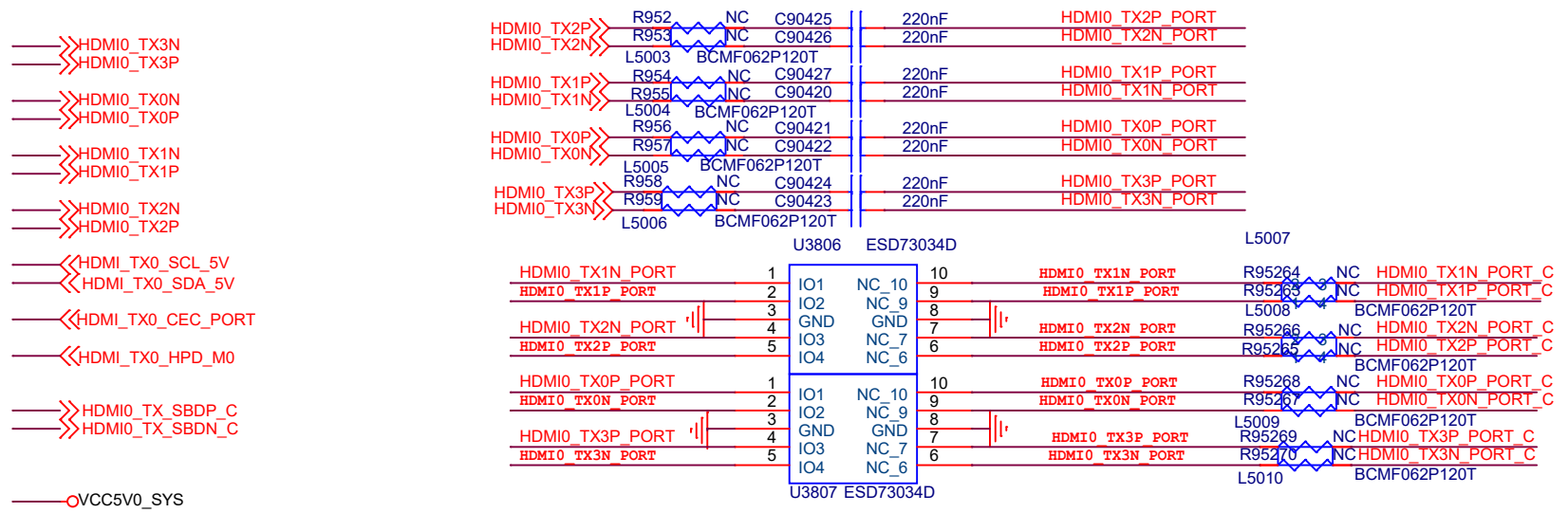
Page 1	01.Cover
Page 2	02.Index
Page 3	03.Block
Page 4	04_HDMI TX
Page 5	05_Ethernet
Page 6	06_MicroSD Card
Page 7	07_PCIE_WIFI
Page 8	08_AUDIO
Page 9	09_MIPI_LCD_TX0
Page 10	10_MIPI_LCD_TX1
Page 11	11_MIPI_CAM_RX
Page 12	12_USB_HUB
Page 13	13_USB30_USB20
Page 14	14_FAN_RTC
Page 15	15_Power_DCIN
Page 16	16_40PIN_Connector
Page 17	17_Connector
Page 18	18_Type_C
Page 19	19_KEY_LED




# Block Diagram



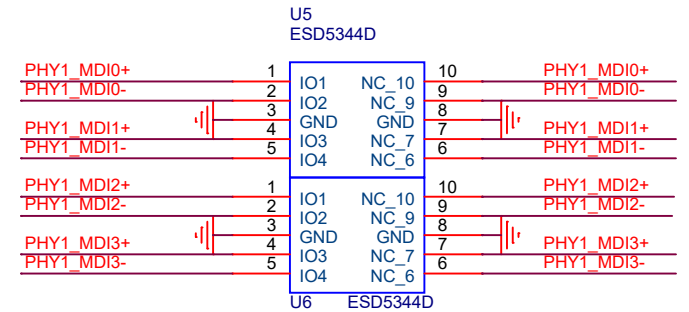
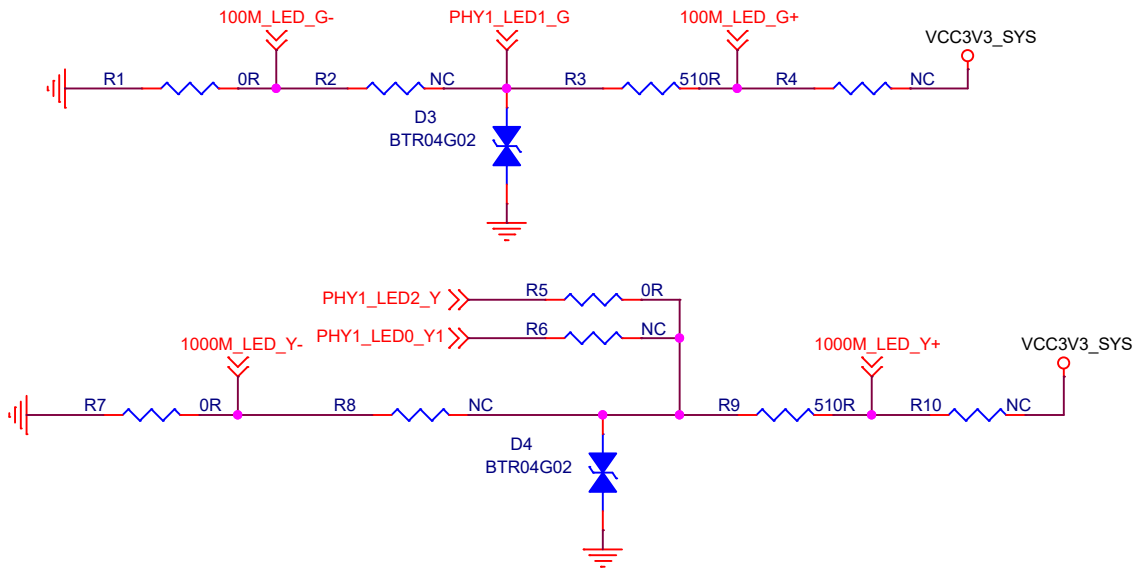
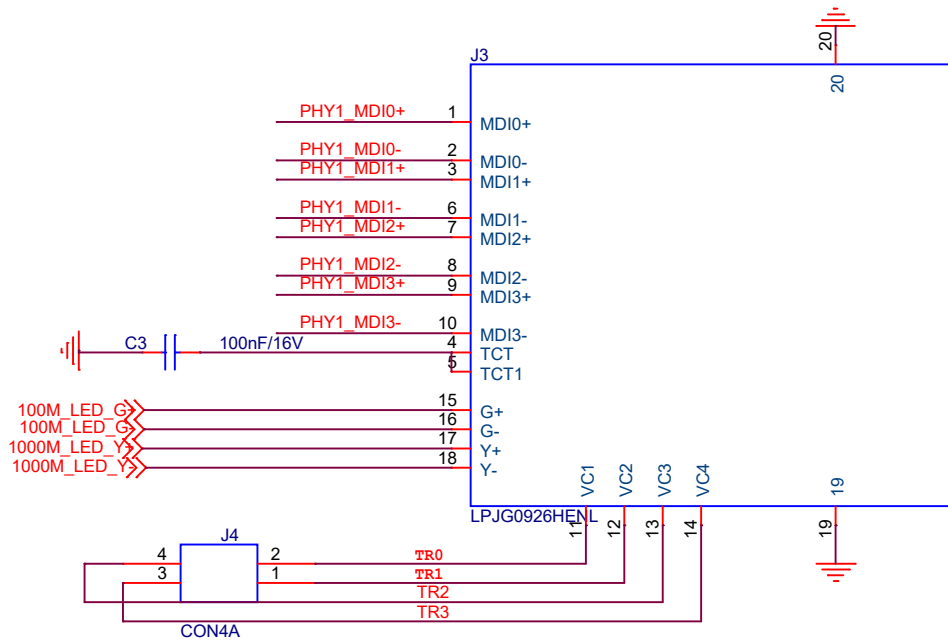
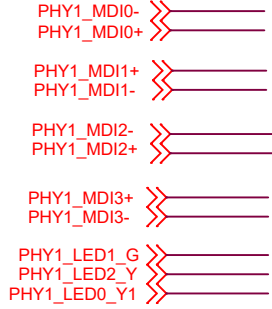
# HDMI TX



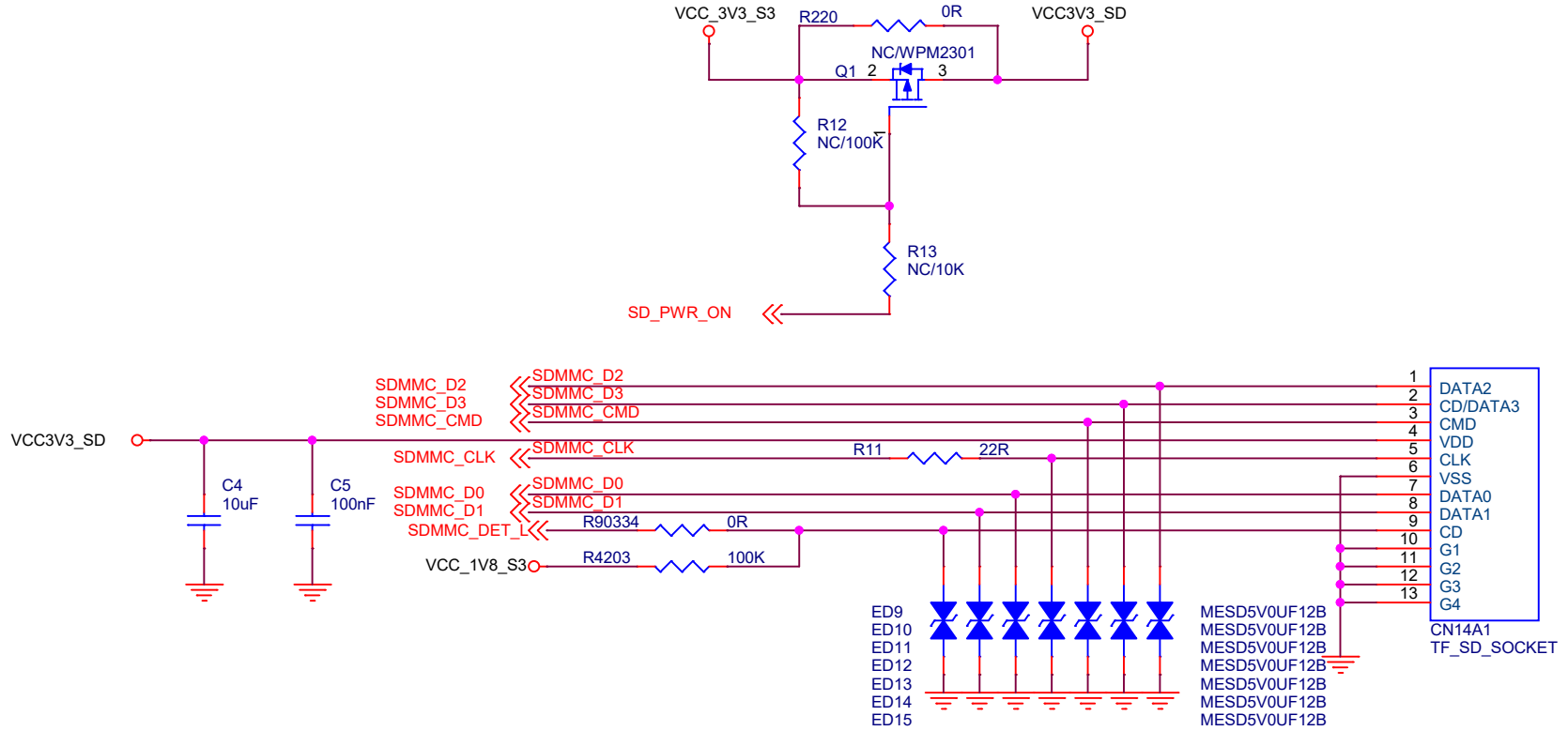


Size	Title: CM5 IO	REV
A4	Page Name: 04.HDMI TX	V2.2
Date: Saturday, January 06, 2024	Sheet 04 of 19	

# RJ45

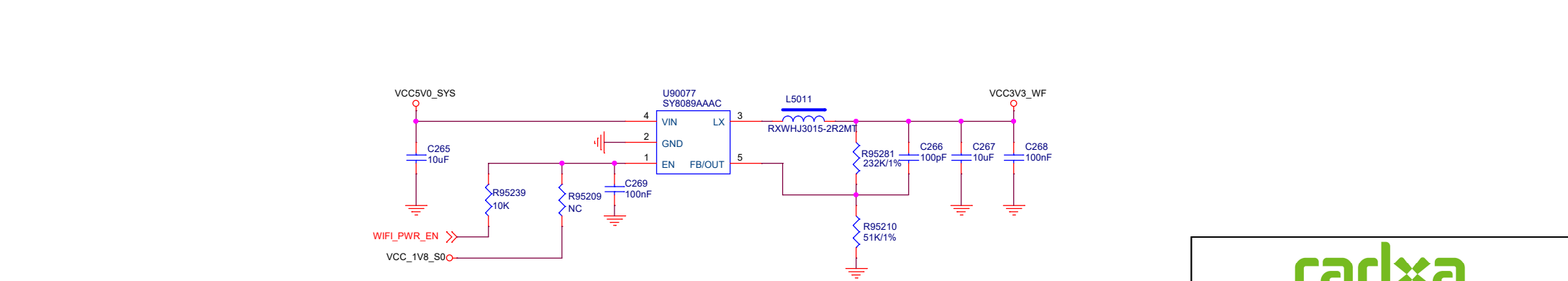
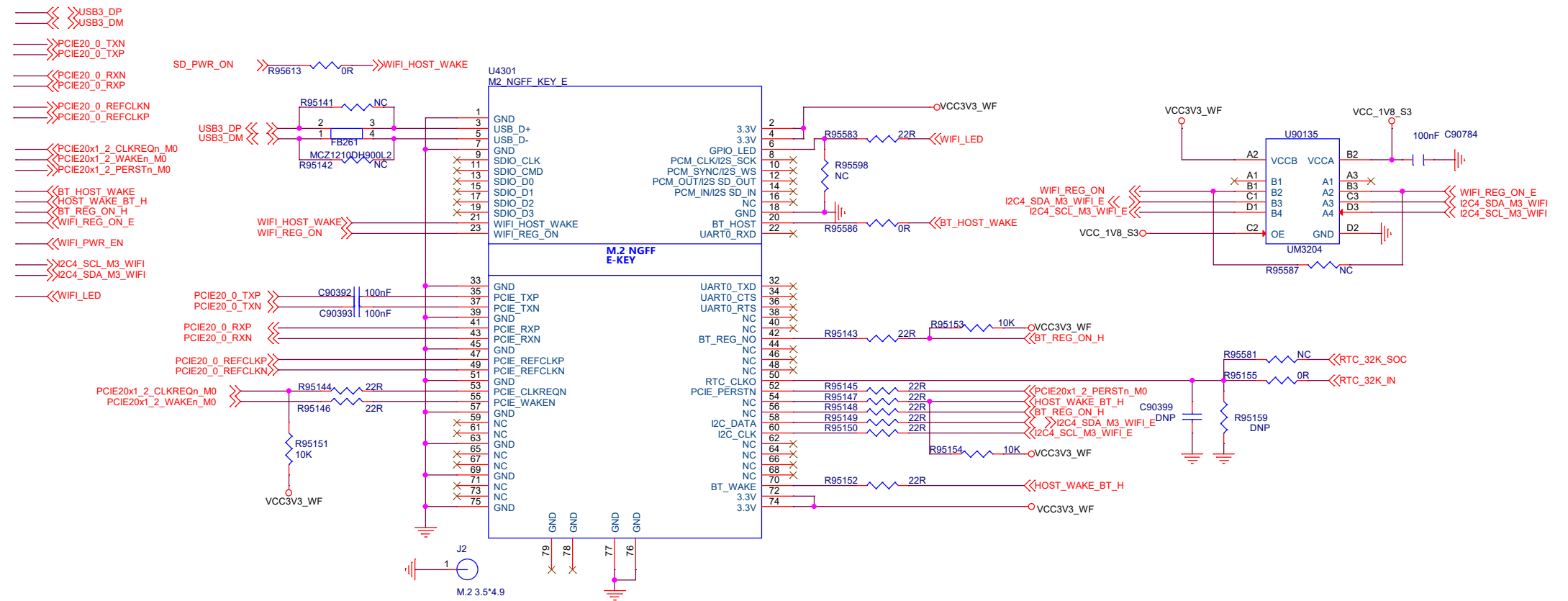



# MicroSD Card



Size	Title: CM5 IO	REV
A4	Page Name: 06.MicroSD Card	V2.2
Date: Saturday, January 06, 2024	Sheet 06 of 19	

# PCIE WIFI/BT MODULE

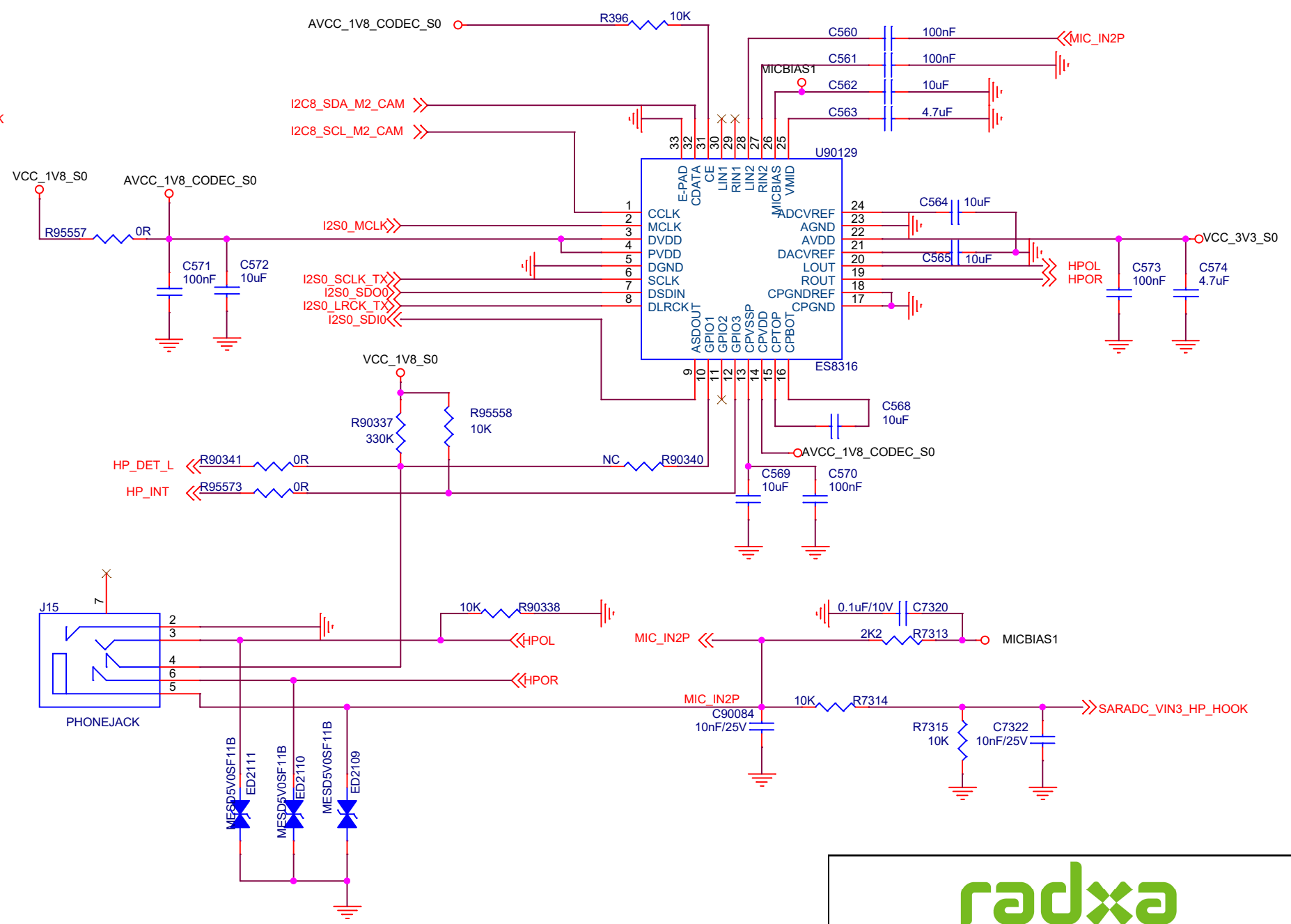





Size	Title: CM5 IO	REV
B	Page Name: 07.PCIE WIFI	V2.2
Date: Saturday, January 06, 2024	Sheet 07 of 19	

# CODEC ES8316

- I2S0\_MCLK
- I2S0\_SCLK\_TX
- I2S0\_LRCK\_TX
- I2S0\_SDI0
- I2S0\_SDO0
  
- SARADC\_VIN3\_HP\_HOOK
- HP\_DET\_L
- HP\_INT



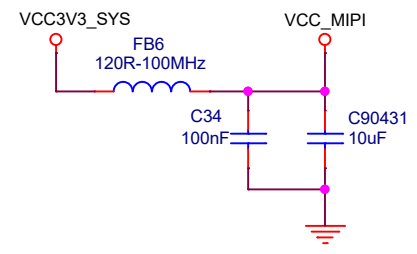
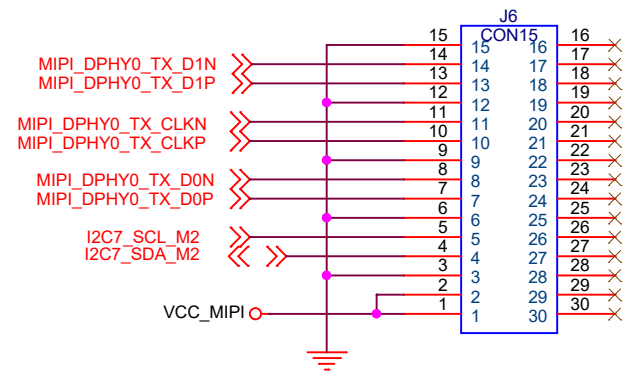


Size	Title: <b>CM5 IO</b>	REV
A4	Page Name: <b>08.Audio CODEC</b>	V2.2
Date: <b>Saturday, January 06, 2024</b>	Sheet <b>08</b> of <b>19</b>	



# MIPI\_DSI\_TX 1

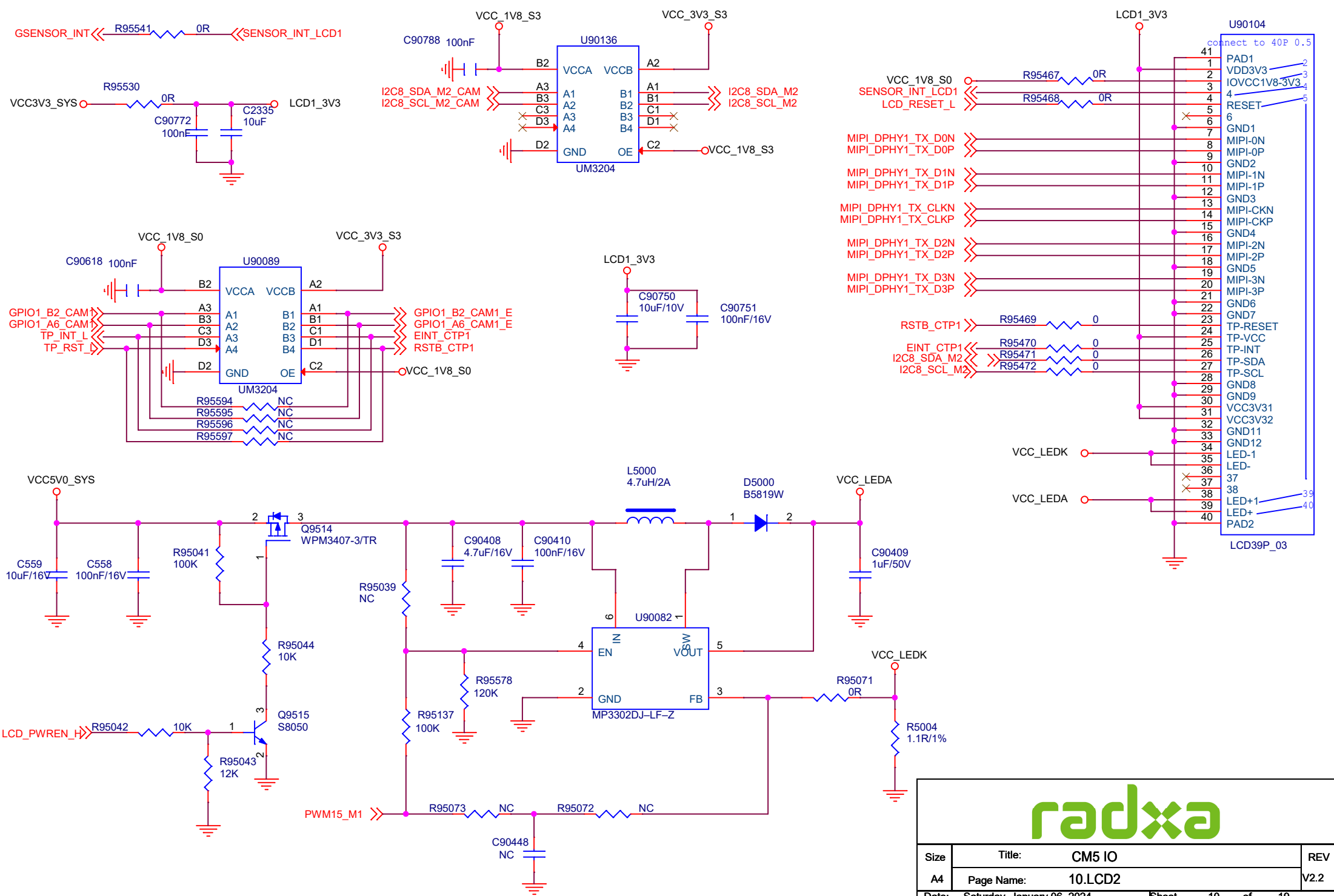
## LCD0




Size	Title: CM5 IO	REV
A4	Page Name: 09.LCD1	V2.2
Date: Saturday, January 06, 2024	Sheet 09	of 19

# MIPI DPHY1 TX2

# LCD1

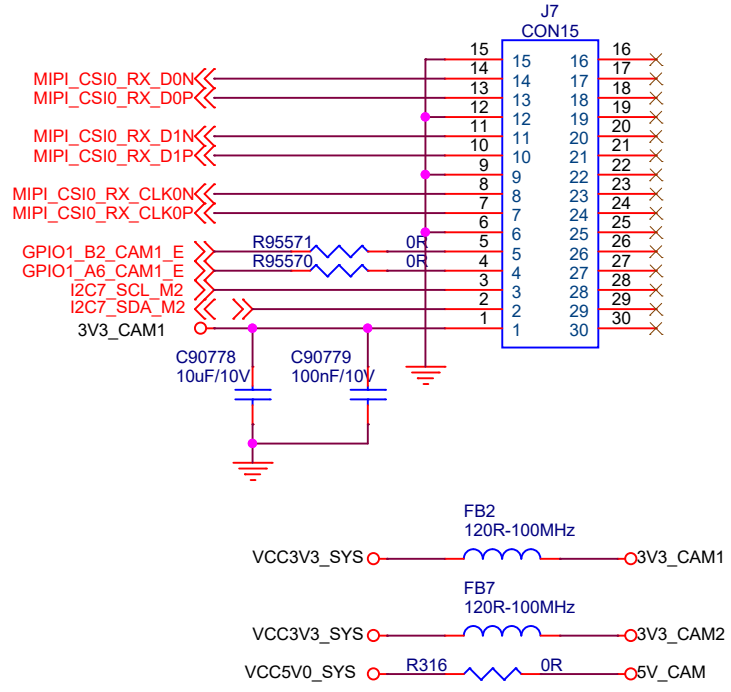




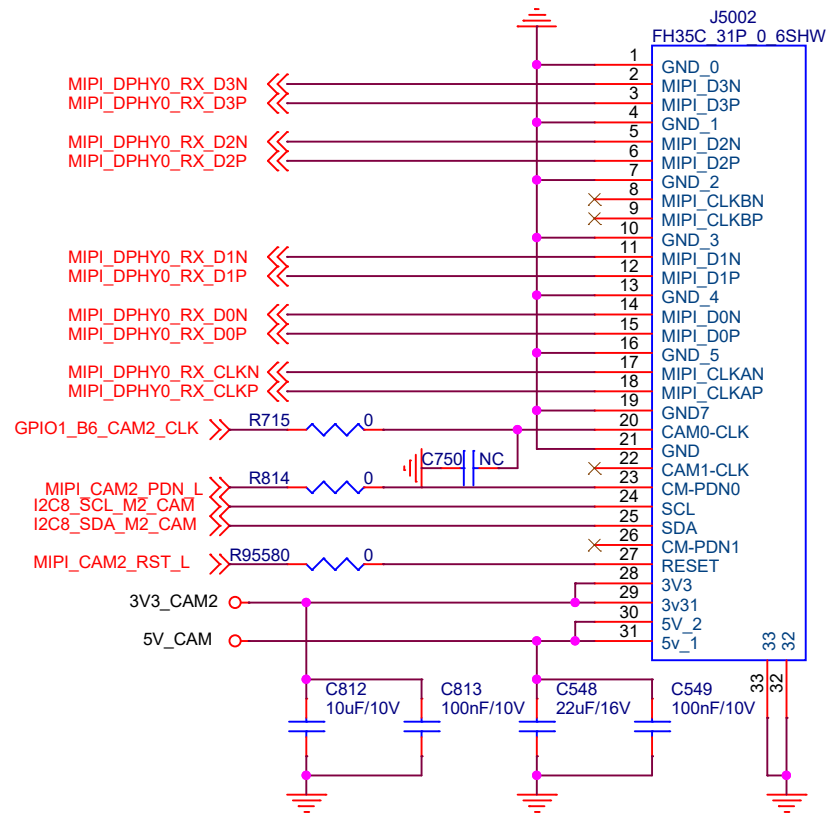
Size	Title: <b>CM5 IO</b>	REV
A4	Page Name: <b>10.LCD2</b>	V2.2
Date: <b>Saturday, January 06, 2024</b> Sheet <b>10</b> of <b>19</b>		

# MIPI\_CSI\_RX

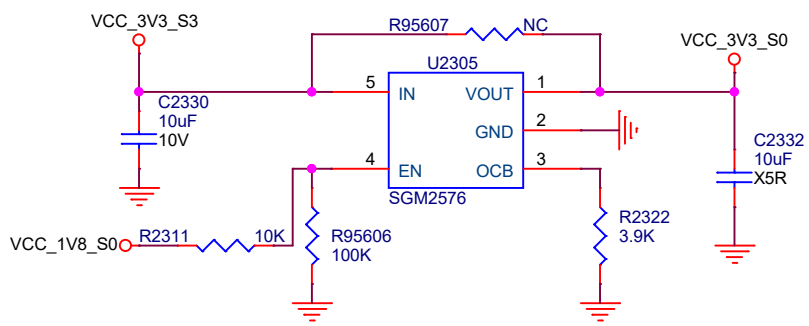
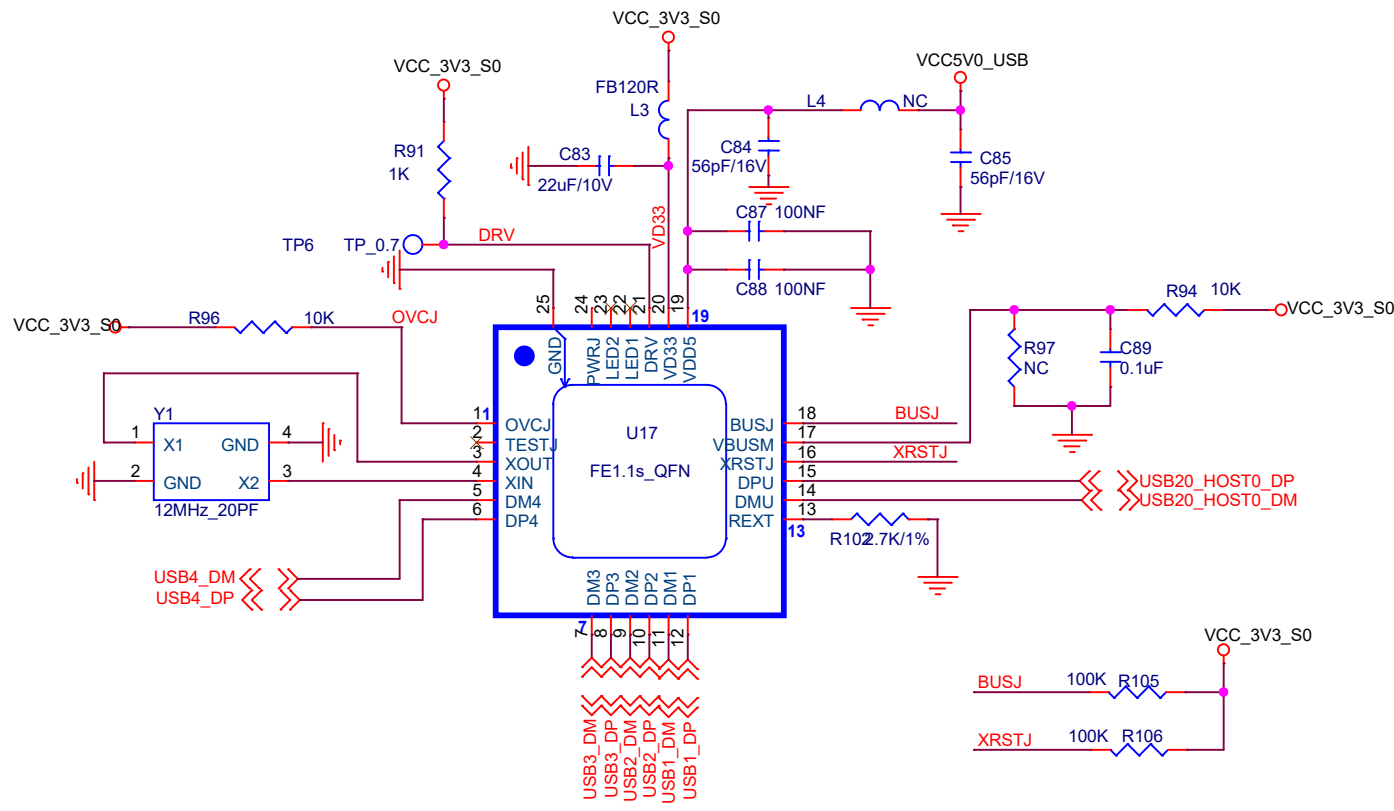
## Camera 0



## Camera 1



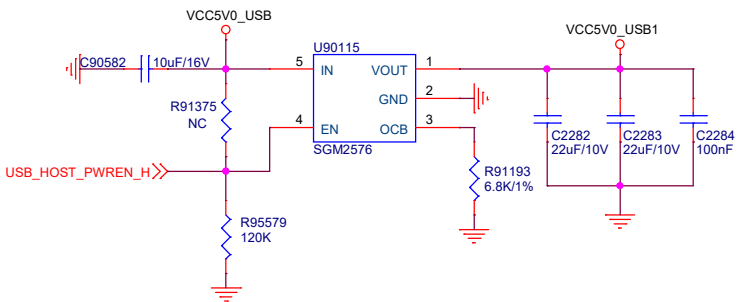
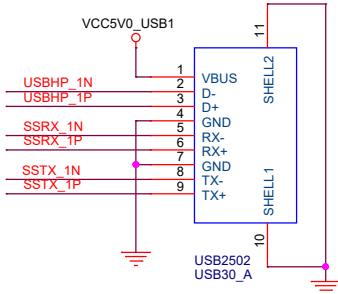
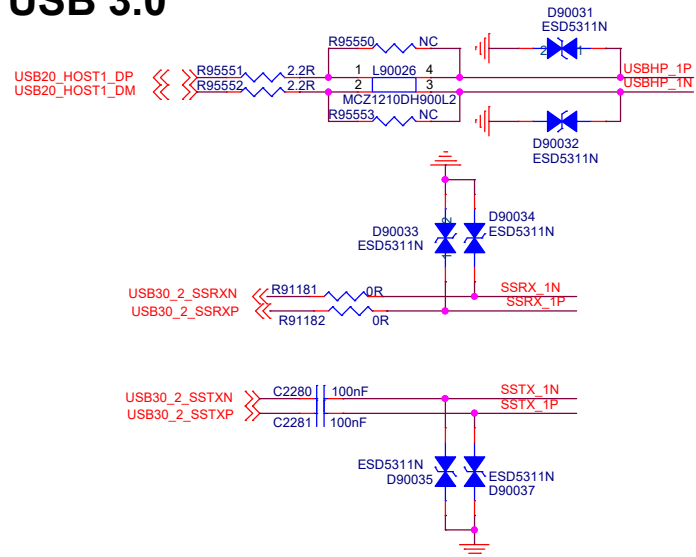
Size	Title: CM5 IO	REV
A4	Page Name: 11.MIPI_CSI_RX	V2.2
Date: Saturday, January 06, 2024	Sheet 11 of 19	



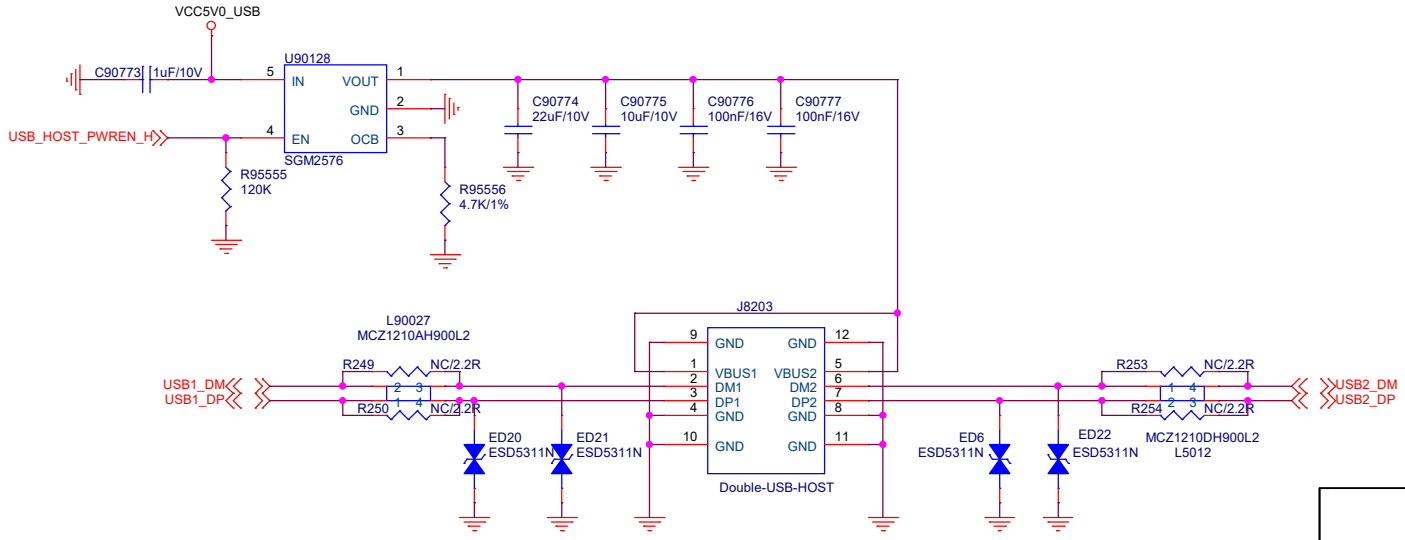

**radxa**

Size	Title: <b>CM5 IO</b>	REV
A4	Page Name: <b>12.USB HUB</b>	V2.2
Date: <b>Saturday, January 06, 2024</b>	Sheet <b>12</b> of <b>19</b>	

# USB 3.0

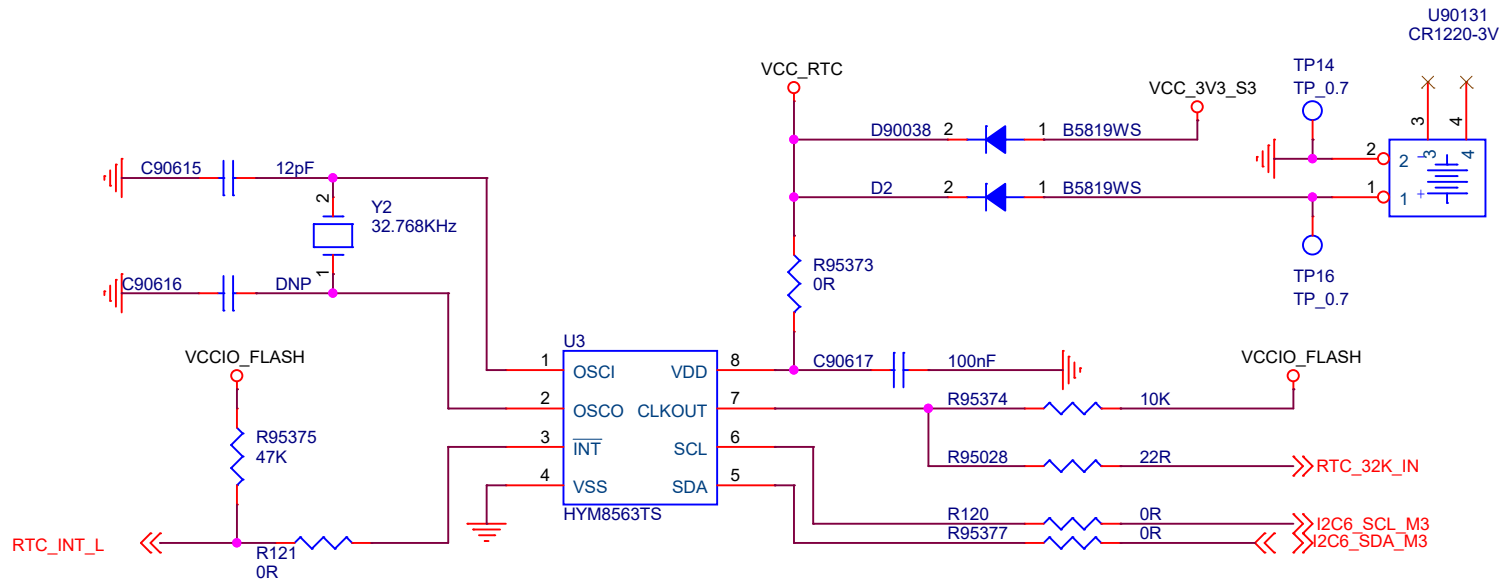


# USB 2.0

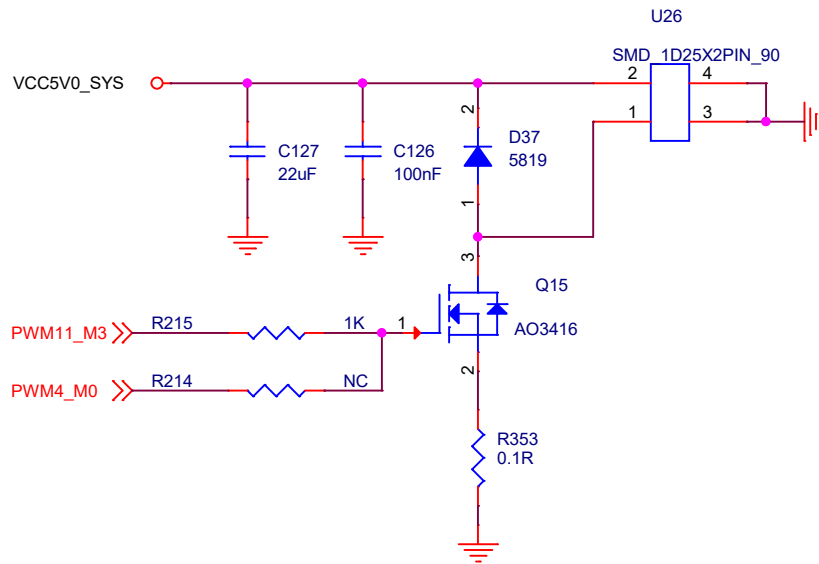



Size	Title: CM5 IO	REV
B	Page Name: 13.USB HOST	V2.2
Date: Saturday, January 06, 2024	Sheet 13 of 19	

# RTC



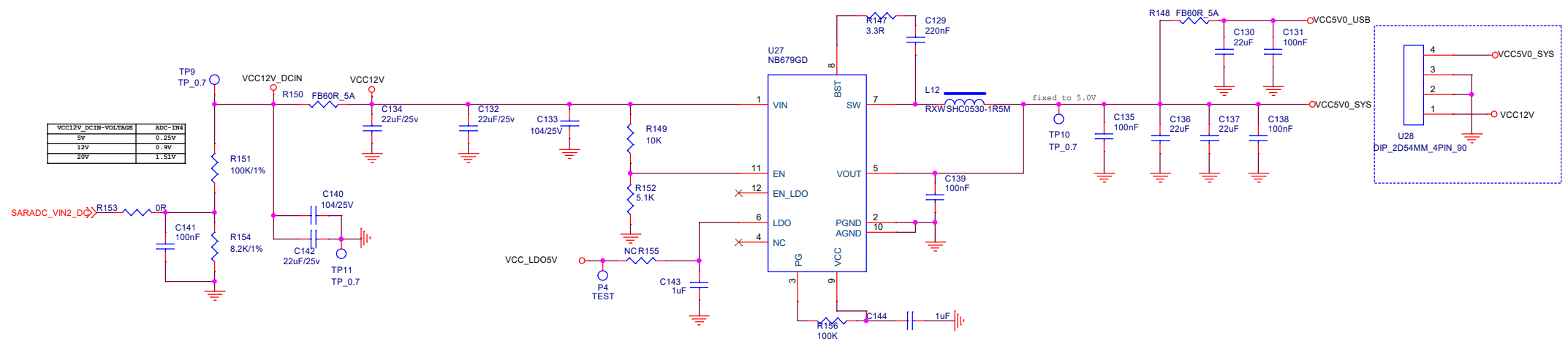
# FAN



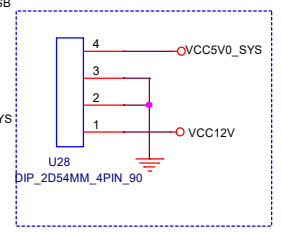
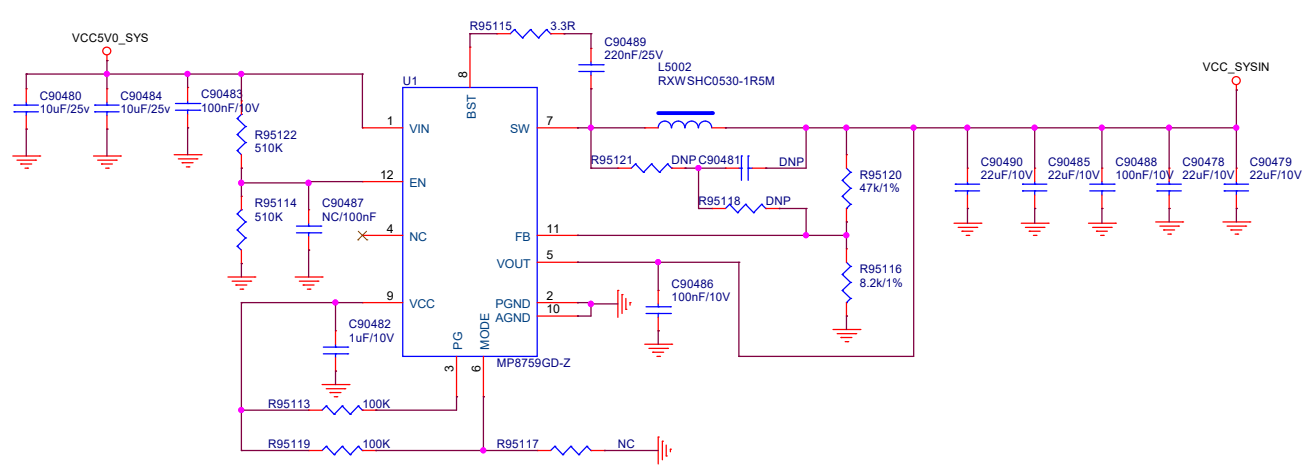
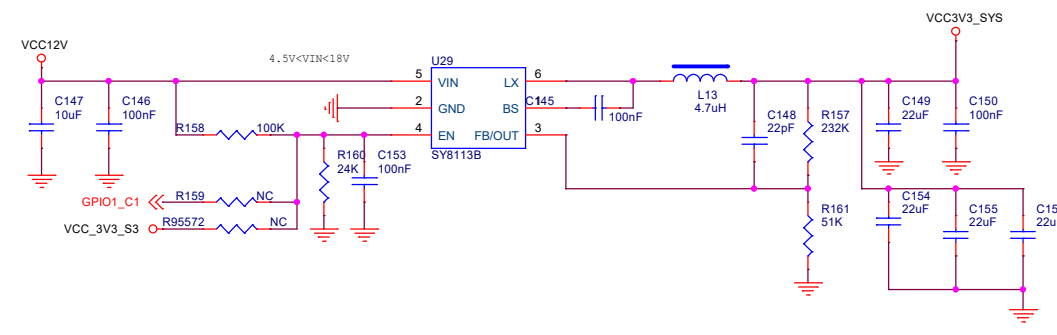
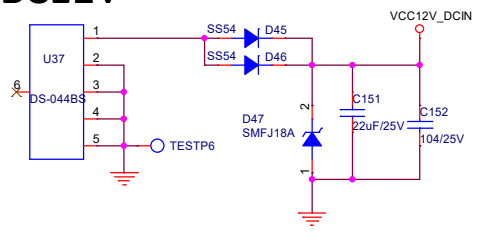
Size	Title: CM5 IO	REV
A4	Page Name: 14.FAN_RTC	V2.2
Date: Saturday, January 06, 2024	Sheet 14 of 19	

# DC IN&SYSTEM Power

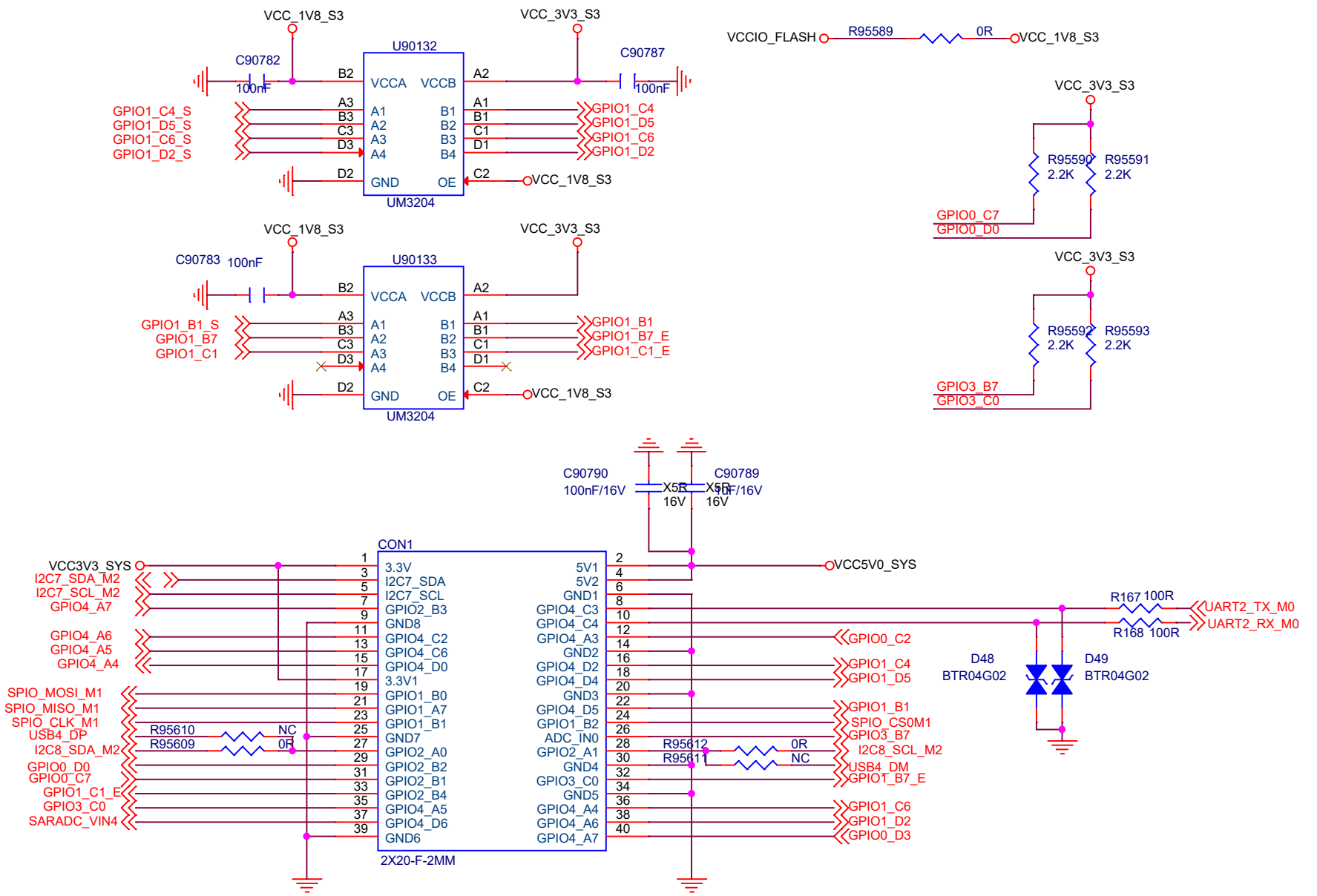
VCC12V_DCIN-VOLTAGE	ADC-INA
5V	0.25V
12V	0.9V
20V	1.35V



## DC12V



# 40PIN Connector



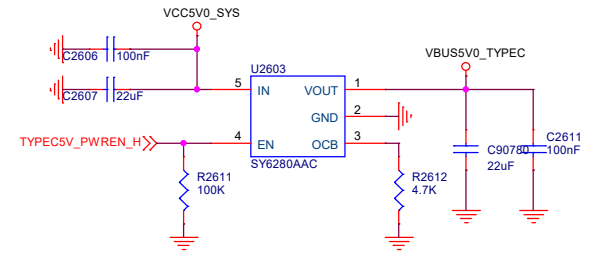
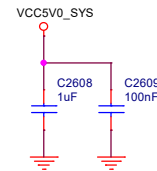
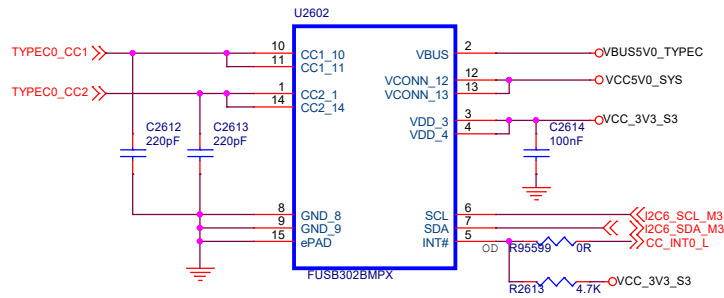
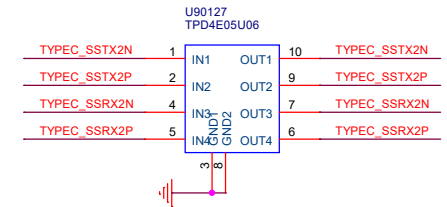
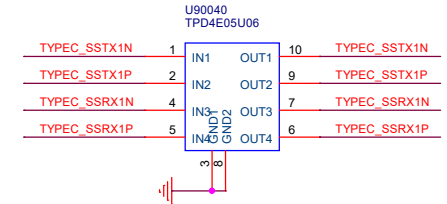
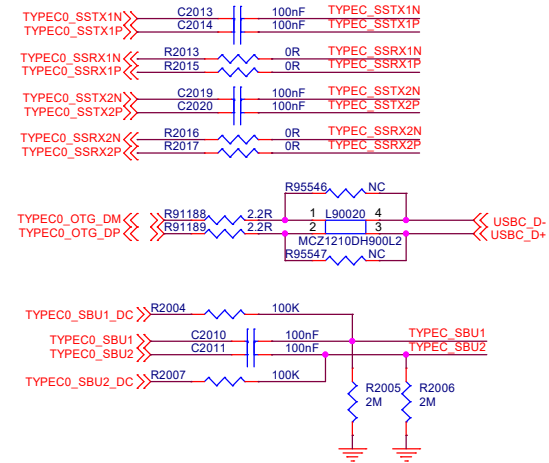
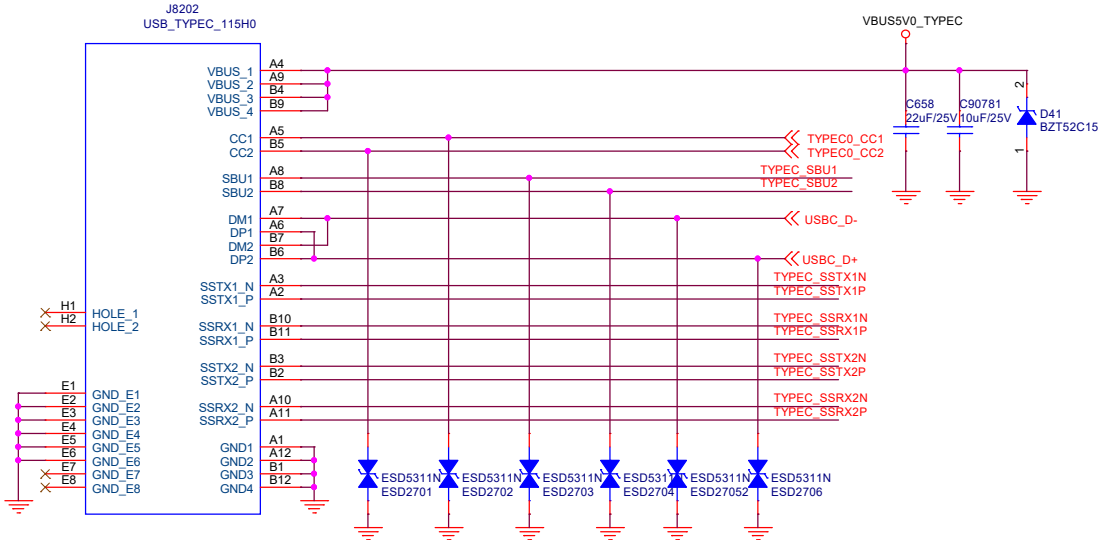
Size	Title: CM5 IO	REV
A4	Page Name: 16.40PIN Connector	V2.2
Date:	Saturday, January 06, 2024	Sheet 16 of 19

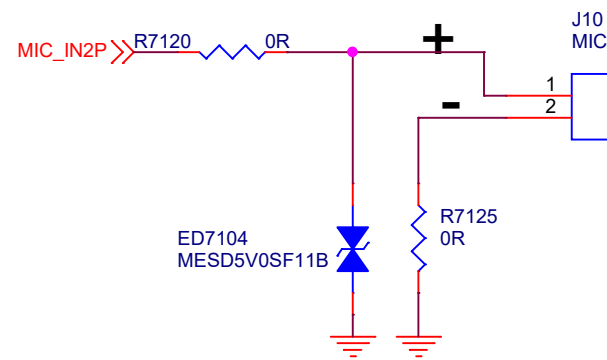
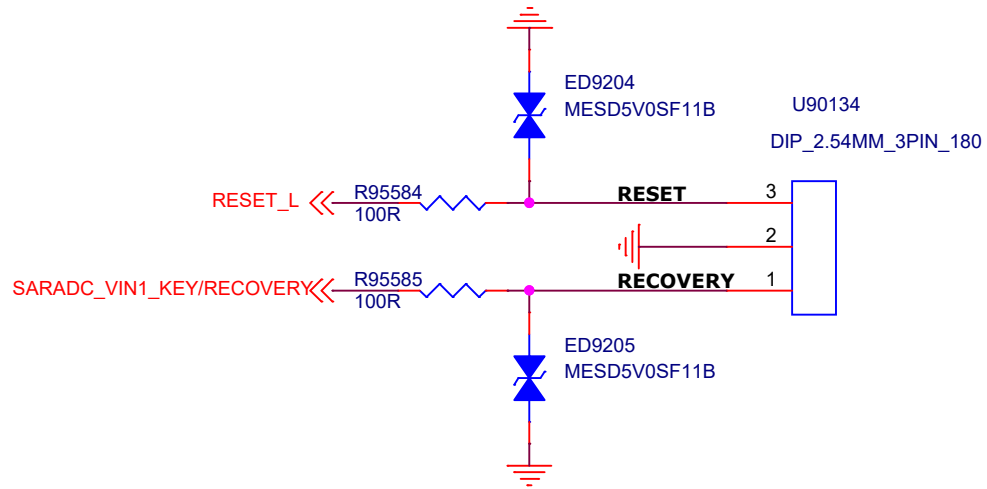
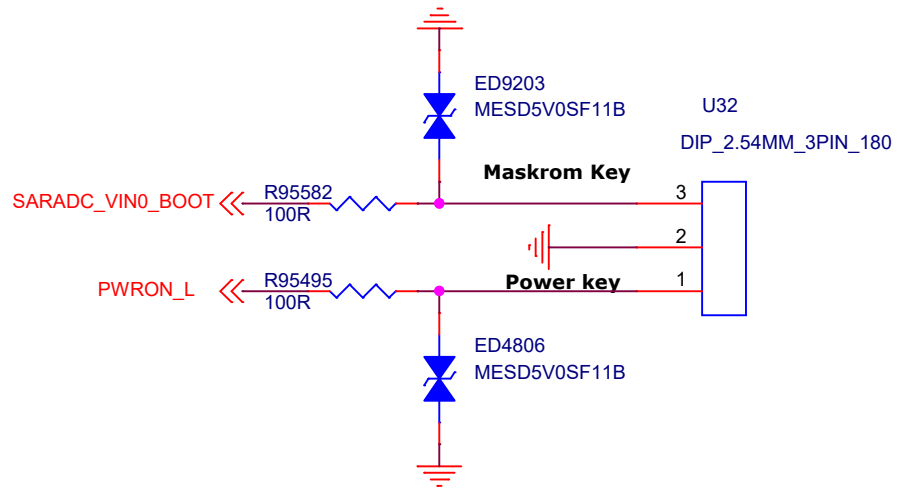


# 100 pin Connector



# Type C





Size	Title: CM5 IO	REV
A	Page Name: 19.KEY	V2.2
Date: Saturday, January 06, 2024	Sheet 19 of 19	