

# CM5 Compute Module IO Board\_X2.1



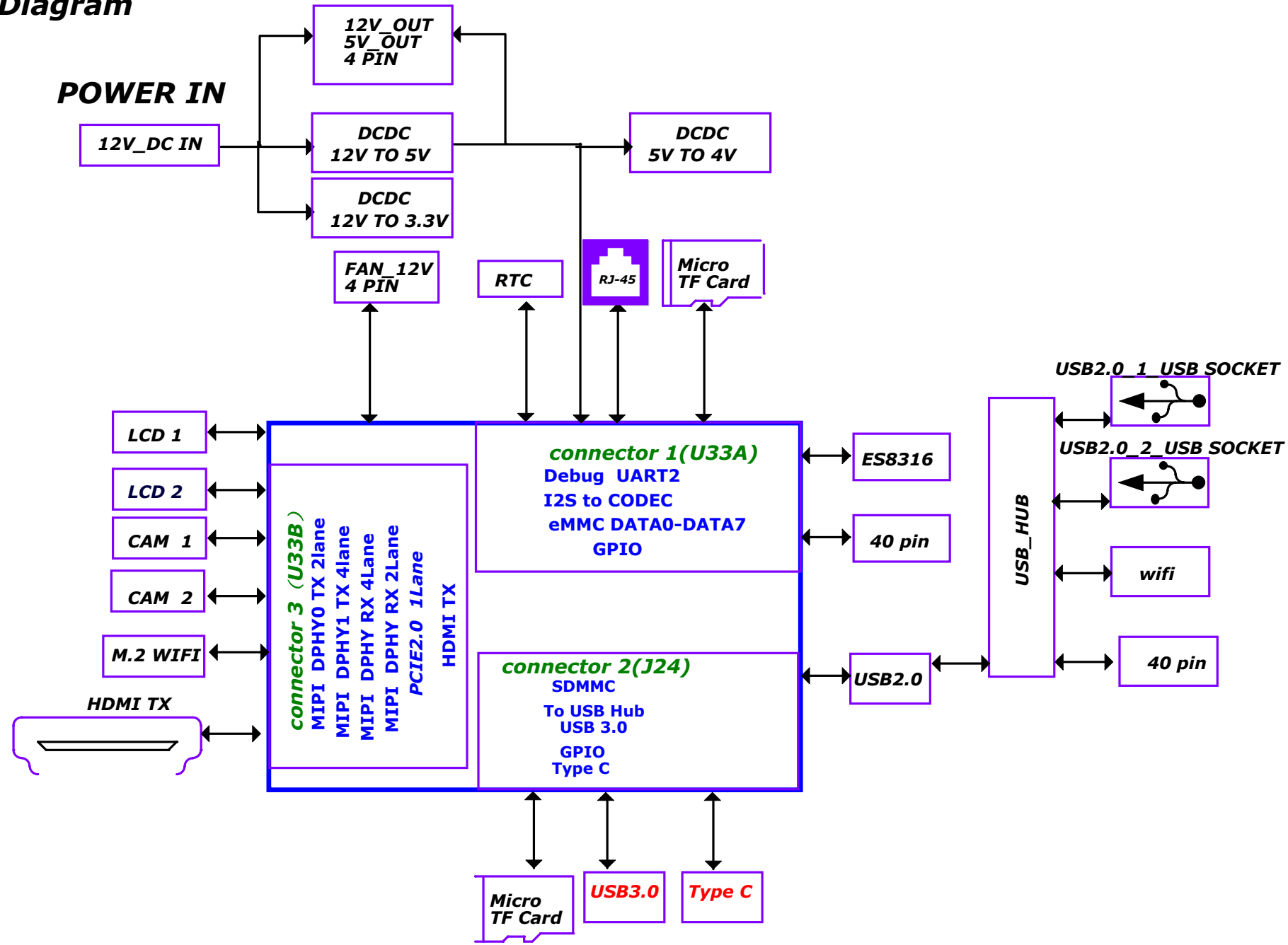
Size	Title: CM5 Compute Module IO Board	REV
A4	Page Name: 01.Cover	X2.1
Date: Wednesday, October 11, 2023	Sheet 01	of 19

# Index

Page 1	01.Cover
Page 2	02.Index
Page 3	03.Block
Page 4	04_HDMI TX
Page 5	05_Ethernet
Page 6	06_MicroSD Card
Page 7	07_PCIE_WIFI
Page 8	08_AUDIO
Page 9	09_MIPI_LCD_TX0
Page 10	10_MIPI_LCD_TX1
Page 11	11_MIPI_CAM_RX
Page 12	12_USB_HUB
Page 13	13_USB30_USB20
Page 14	14_FAN_RTC
Page 15	15_Power_DCIN
Page 16	16_40PIN_Connector
Page 17	17_Connector
Page 18	18_Type_C
Page 19	19_KEY_LED



# Ref Block Diagram

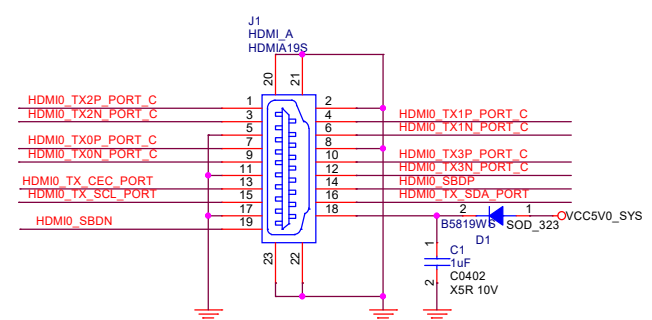
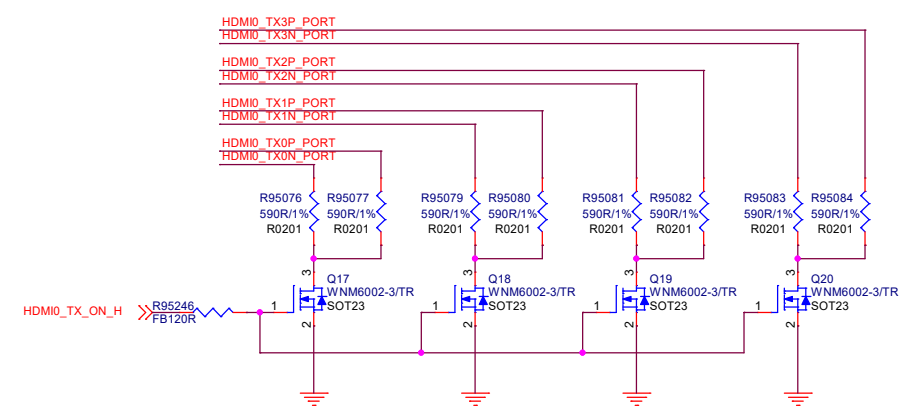


# HDMI 2.1 TX

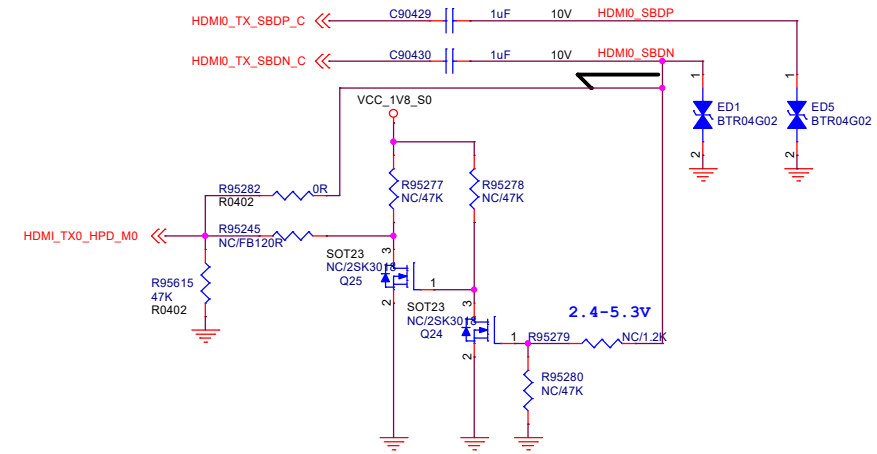
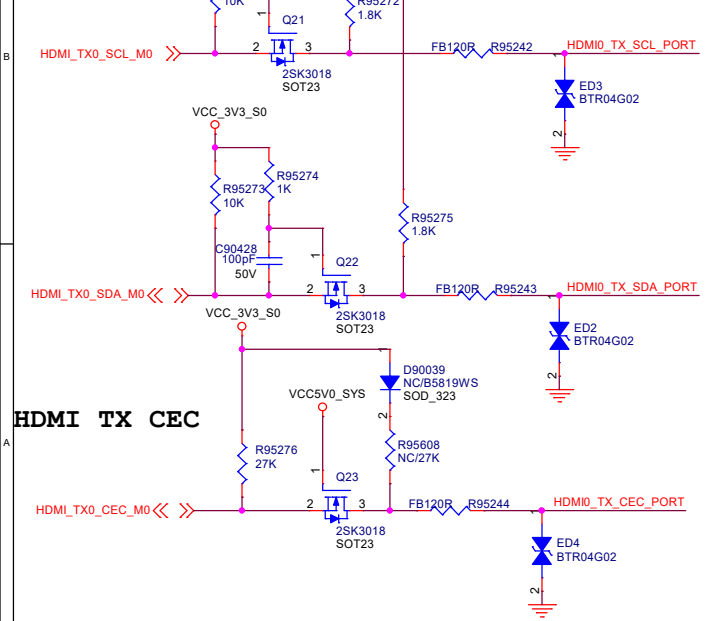
- HDMI\_TX3N
- HDMI\_TX3P
- HDMI\_TX0N
- HDMI\_TX0P
- HDMI\_TX1N
- HDMI\_TX1P
- HDMI\_TX2N
- HDMI\_TX2P
- HDMI\_TX0\_SCL\_M0
- HDMI\_TX0\_SDA\_M0
- HDMI\_TX0\_CEC\_M0
- HDMI\_TX0\_HPD\_M0
- HDMI\_TX\_SBDP\_C
- HDMI\_TX\_SBDN\_C
- HDMI\_TX\_ON\_H
- OVCC5V0\_SYS


HDMI0_TX2P	R952	NC	C90425	220nF	10V	HDMI0_TX2P_PORT
HDMI0_TX2N	R953	NC	C90426	220nF	10V	HDMI0_TX2N_PORT
HDMI0_TX1P	L5003	BCMF062P120T		220nF	10V	HDMI0_TX1P_PORT
HDMI0_TX1N	R954	NC	C90427	220nF	10V	HDMI0_TX1N_PORT
HDMI0_TX0P	R956	NC	C90420	220nF	10V	HDMI0_TX0P_PORT
HDMI0_TX0N	R957	NC	C90422	220nF	10V	HDMI0_TX0N_PORT
HDMI0_TX3P	L5005	BCMF062P120T		220nF	10V	HDMI0_TX3P_PORT
HDMI0_TX3N	R959	NC	C90423	220nF	10V	HDMI0_TX3N_PORT
	L5006	BCMF062P120T				

HDMI0_TX1N_PORT	1	I01	NC	10	10	HDMI0_TX1N_PORT	R95264	NC	HDMI0_TX1N_PORT_C
HDMI0_TX1P_PORT	2	I02	NC	9	9	HDMI0_TX1P_PORT	R95265	NC	HDMI0_TX1P_PORT_C
HDMI0_TX2N_PORT	3	GND	GND			HDMI0_TX2N_PORT	L5008	BCMF062P120T	HDMI0_TX2N_PORT_C
HDMI0_TX2P_PORT	4	I03	NC	7	7	HDMI0_TX2P_PORT	R95266	NC	HDMI0_TX2P_PORT_C
HDMI0_TX0P_PORT	5	I04	NC	6	6	HDMI0_TX0P_PORT	R95267	NC	HDMI0_TX0P_PORT_C
HDMI0_TX0N_PORT	6	I01	NC	10	10	HDMI0_TX0N_PORT	R95268	NC	HDMI0_TX0N_PORT_C
HDMI0_TX3P_PORT	7	I02	NC	9	9	HDMI0_TX3P_PORT	R95269	NC	HDMI0_TX3P_PORT_C
HDMI0_TX3N_PORT	8	GND	GND			HDMI0_TX3N_PORT	L5009	BCMF062P120T	HDMI0_TX3N_PORT_C
	9	I03	NC	7	7	HDMI0_TX3N_PORT	R95270	NC	HDMI0_TX3N_PORT_C
	10	I04	NC	6	6	HDMI0_TX3N_PORT	R95271	NC	HDMI0_TX3N_PORT_C

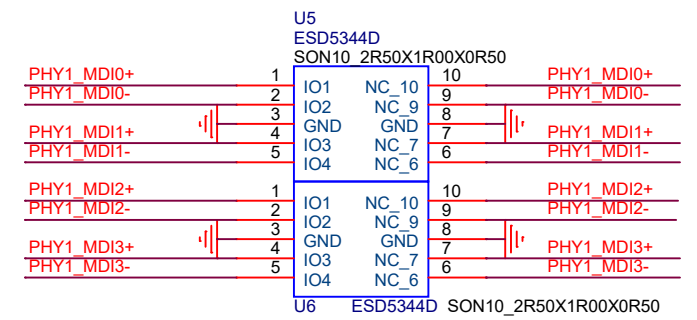
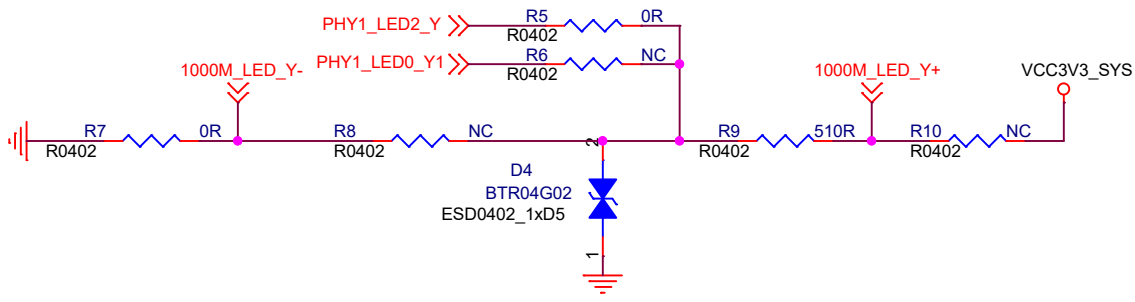
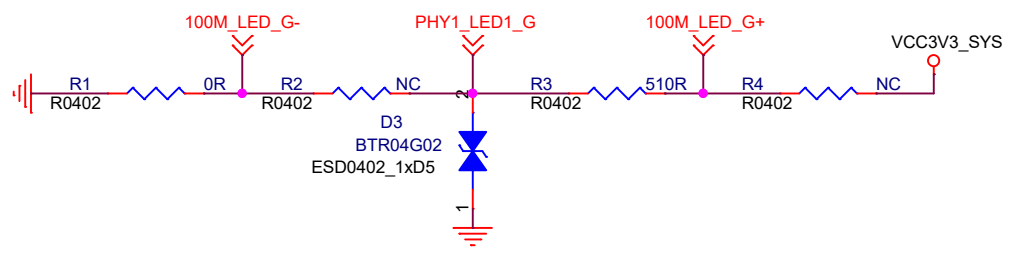
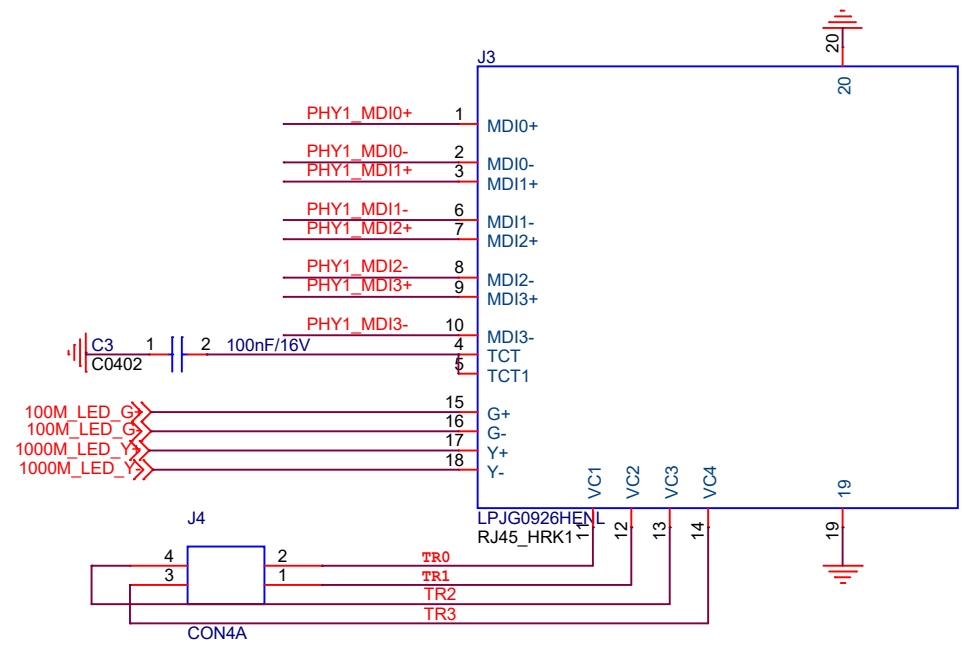
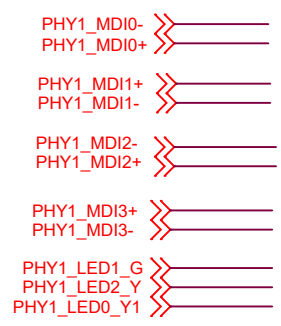


## HDMI TX DDC

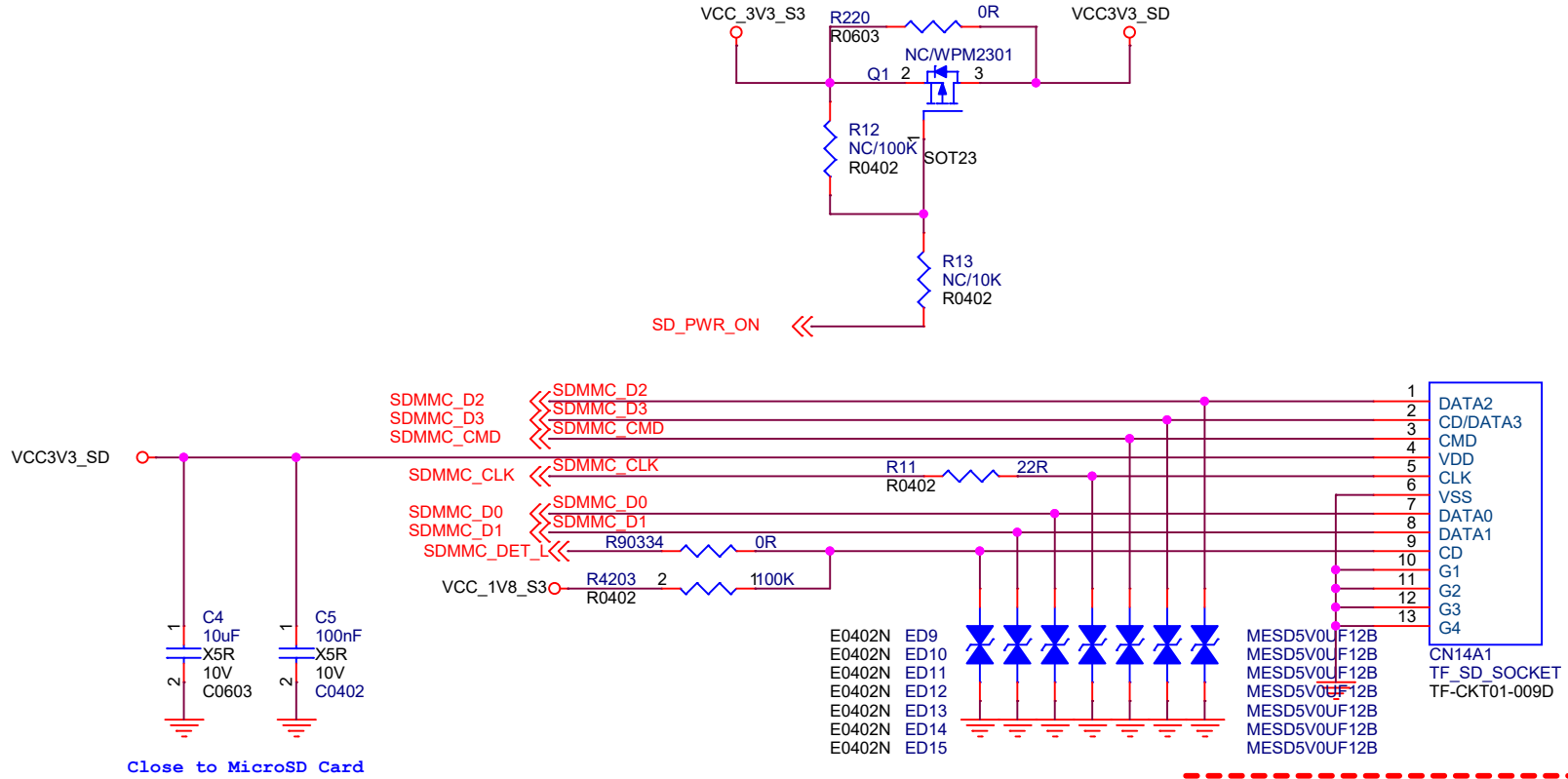




Size	Title: <b>CM5 Compute Module IO Board</b>	REV
A3	Page Name: <b>04.HDMI TX</b>	X2.1
Date: <b>Wednesday, October 11, 2023</b>	Sheet <b>04</b> of <b>19</b>	



# MicroSD Card



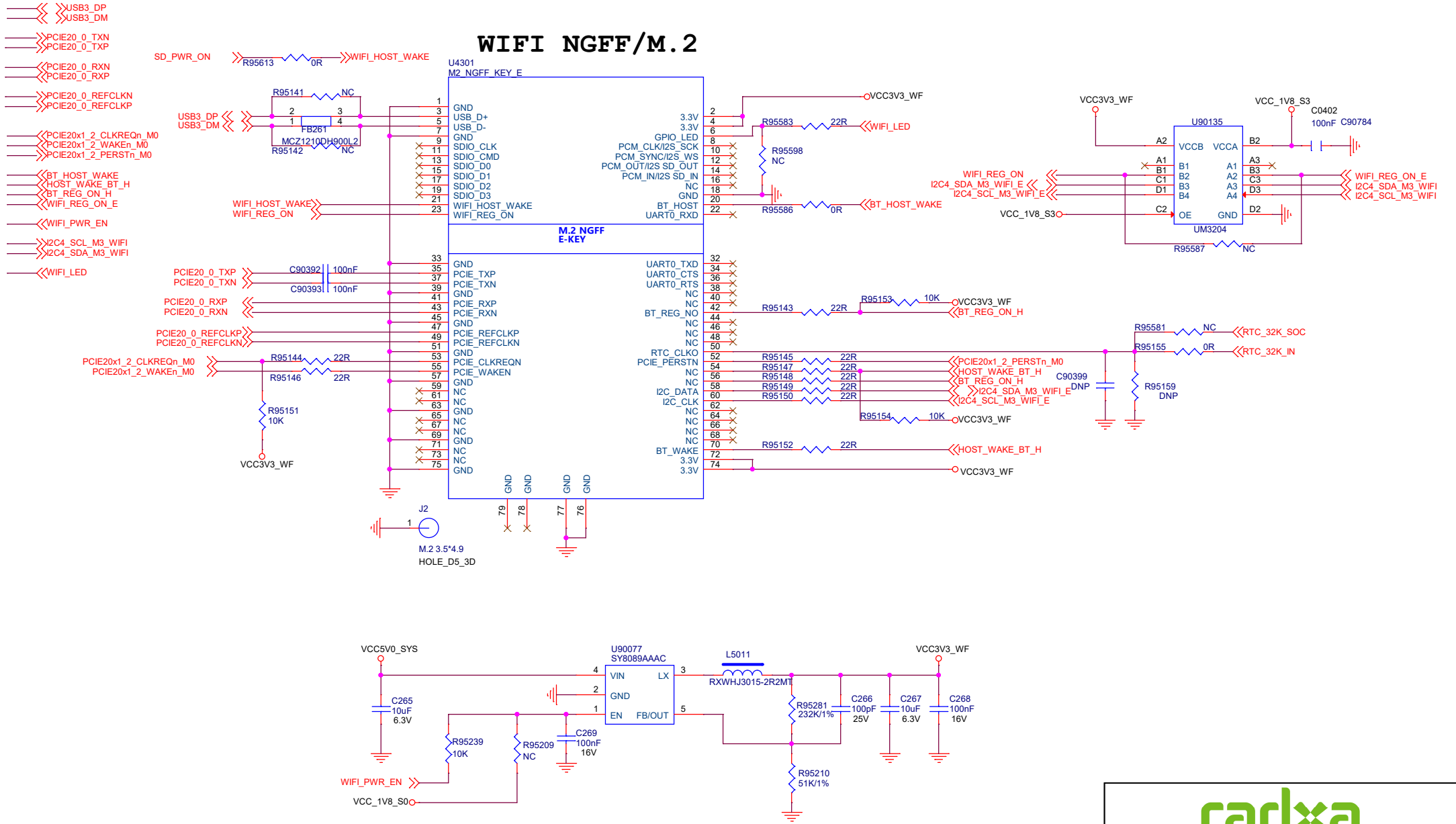
Close to MicroSD Card


**Note:**  
 SDMMC\_DET\_L:  
 SDCARD PLUG: Must be pull-down to GND  
 SDCARD UNPLUG: Must be pull-up to 1.8V.

Title: CM5 Compute Module IO Board			REV
Size: A4	Page Name: 06.MicroSD Card		X2.1
Date: Wednesday, October 11, 2023	Sheet	06	of 19

# PCIE WIFI/BT MODULE

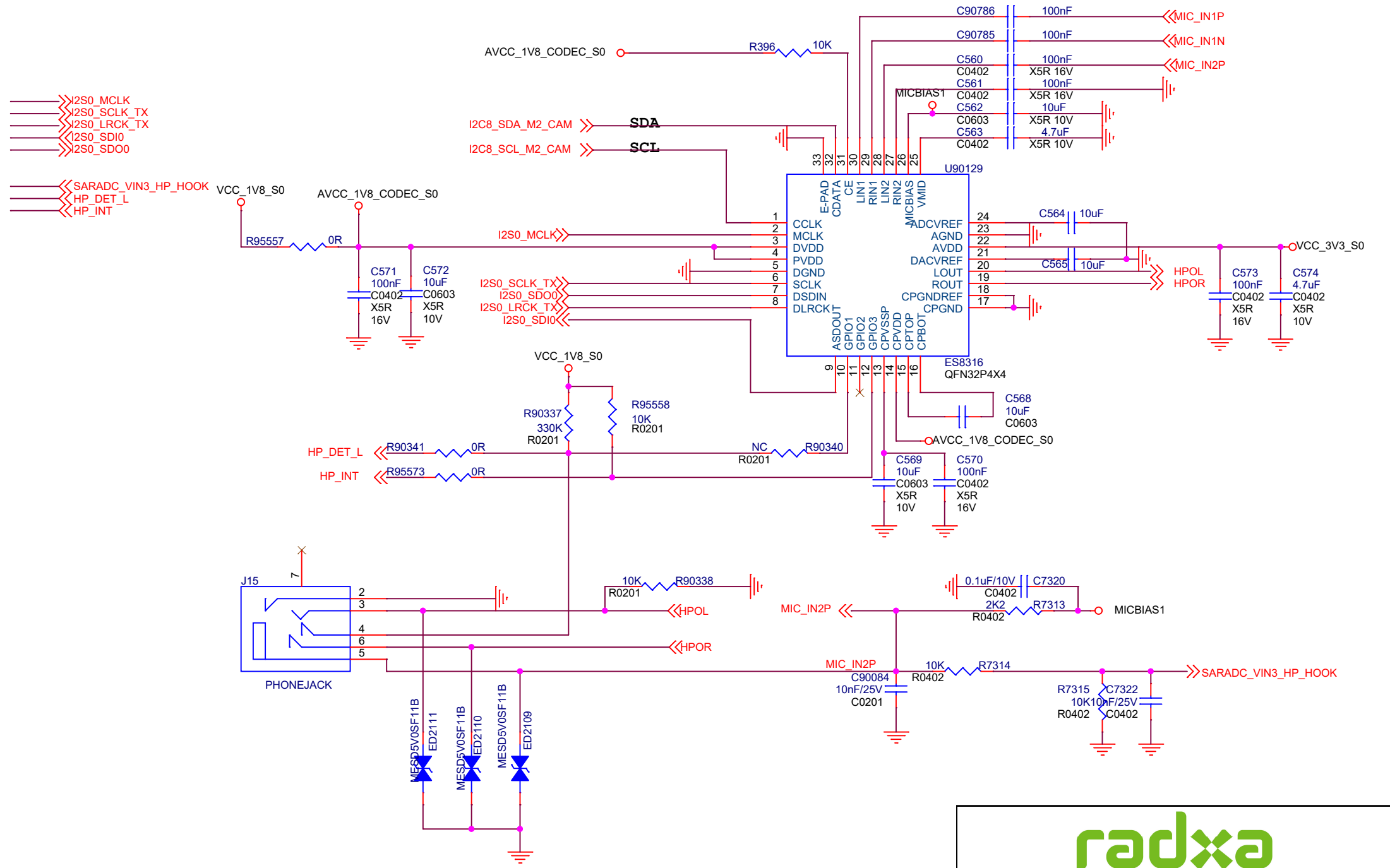
## WIFI NGFF/M.2





<b>Size</b>	<b>Title:</b> CM5 Compute Module IO Board	<b>REV</b>
<b>B</b>	<b>Page Name:</b> 07.PCIE WIFI	<b>X2.1</b>
<b>Date:</b> Wednesday, October 11, 2023		
<b>Sheet</b>		<b>07 of 19</b>

# CODEC ES8316

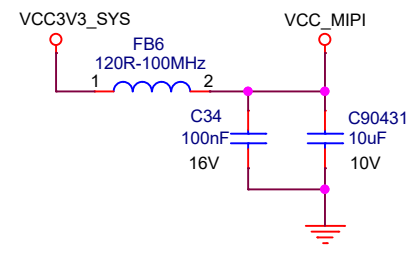
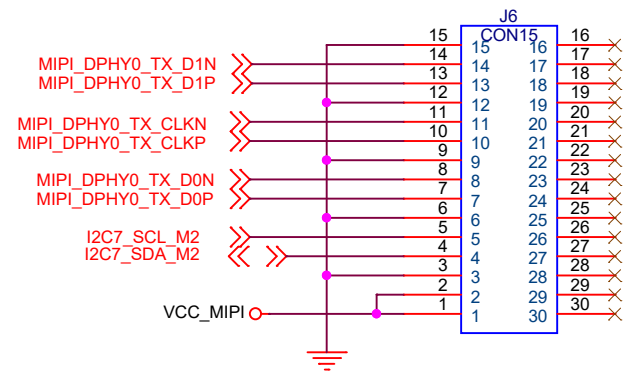


Size	Title: CM5 Compute Module IO Board	REV
A4	Page Name: 08.Audio CODEC	X2.1
Date: Wednesday, October 11, 2023	Sheet 08 of 19	



# MIPI\_DSI\_TX 1

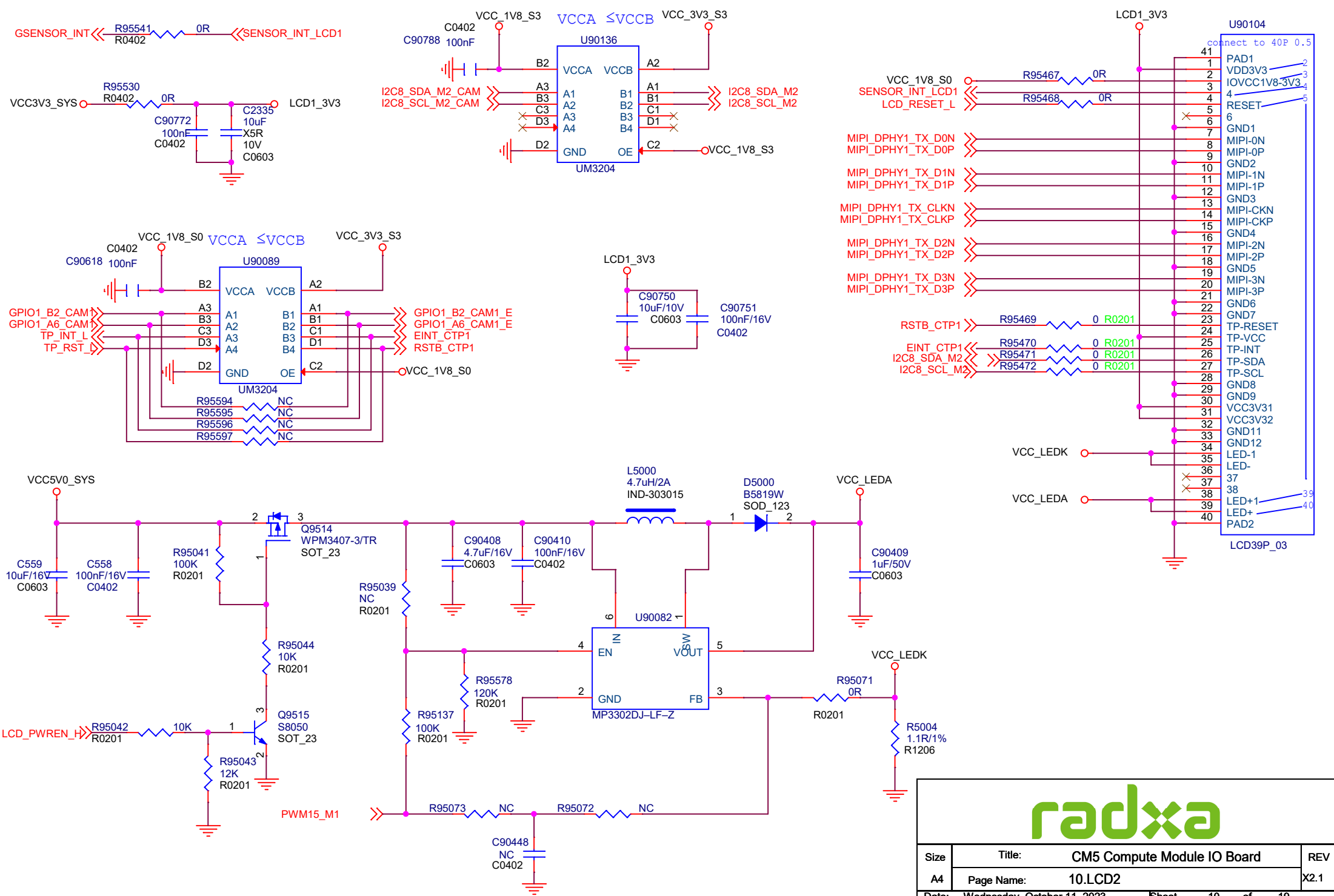
## LCD0



Size	Title: CM5 Compute Module IO Board	REV
A4	Page Name: 09.LCD1	X2.1
Date: Wednesday, October 11, 2023	Sheet 09 of 19	

# MIPI DPHY1 TX2

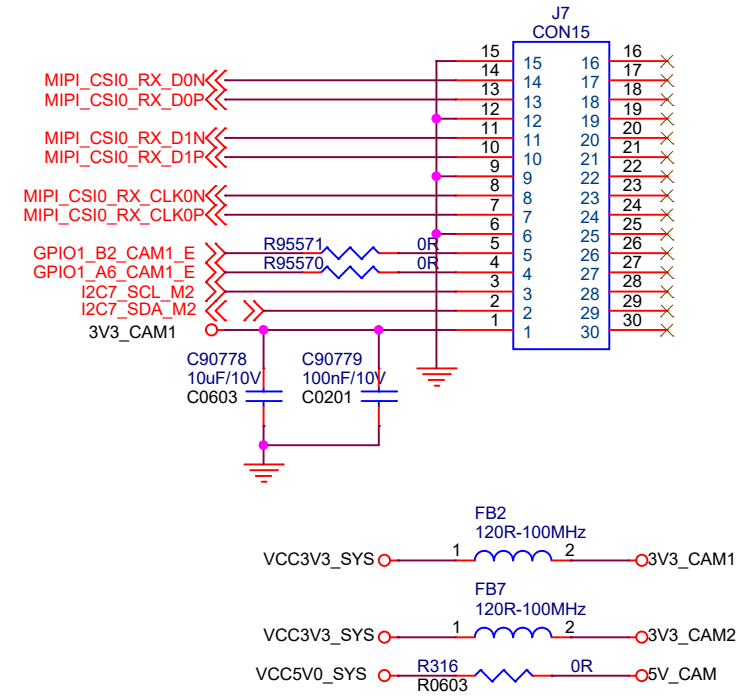
# LCD1



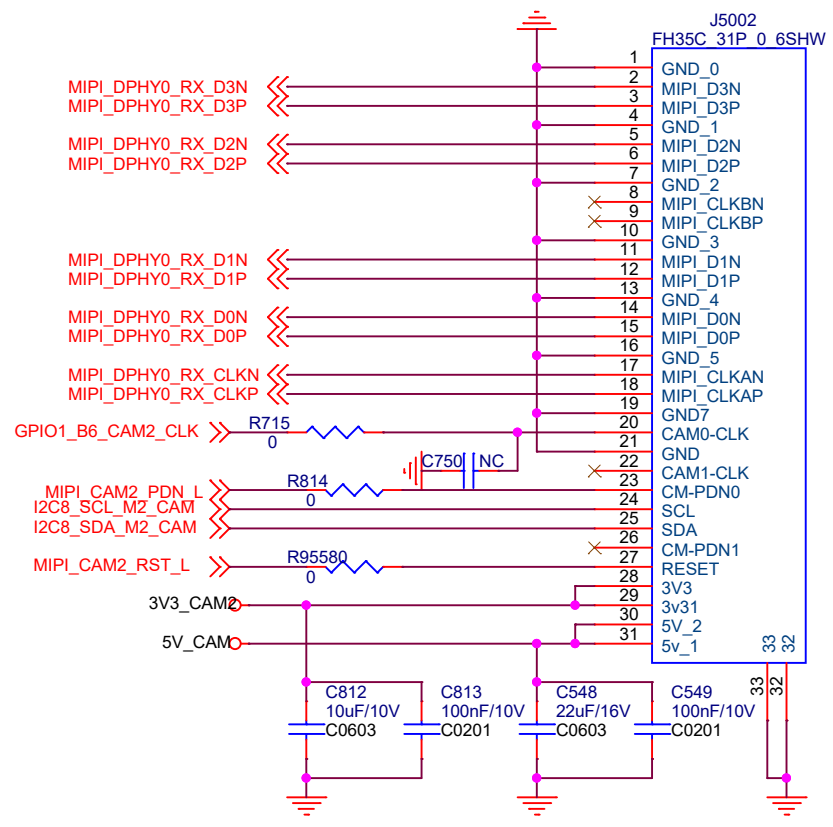
Size	Title: CM5 Compute Module IO Board	REV
A4	Page Name: 10.LCD2	X2.1
Date:	Wednesday, October 11, 2023	Sheet 10 of 19

# MIPI\_CSI\_RX

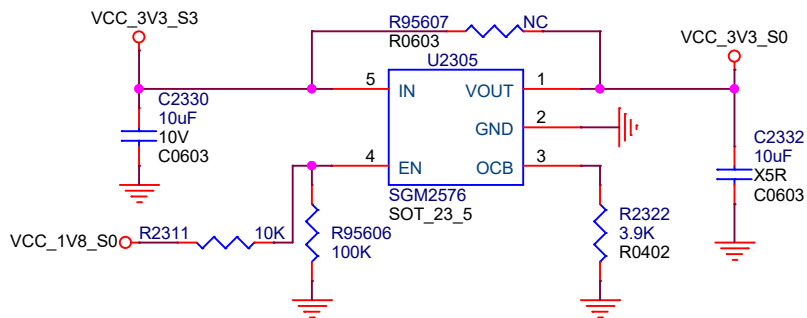
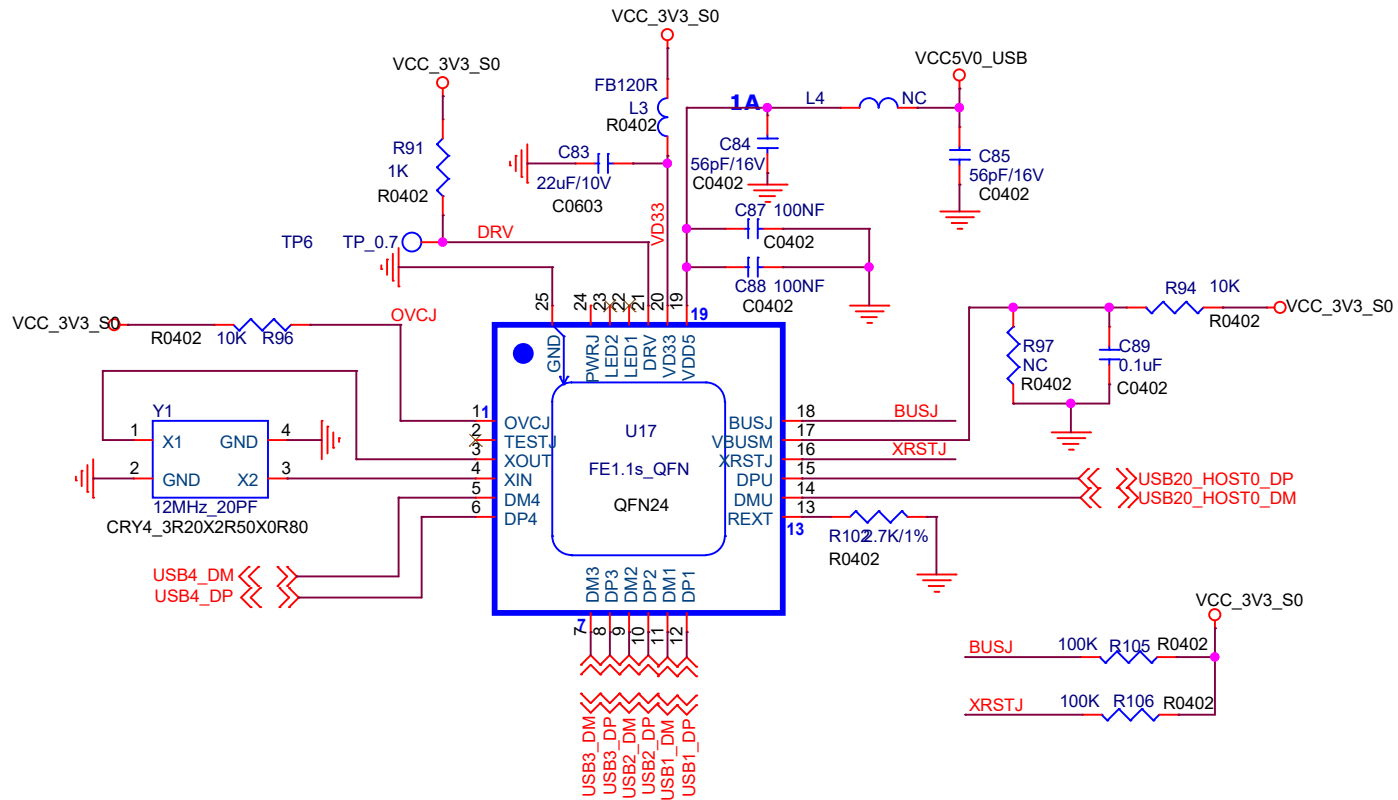
## Camera 0



## Camera 1

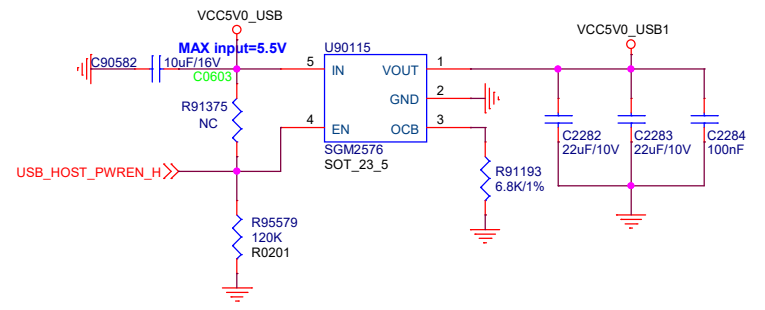
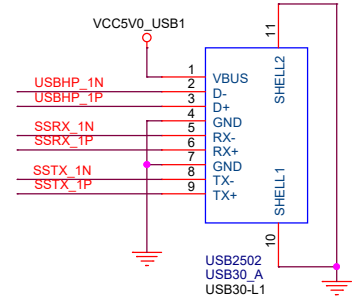
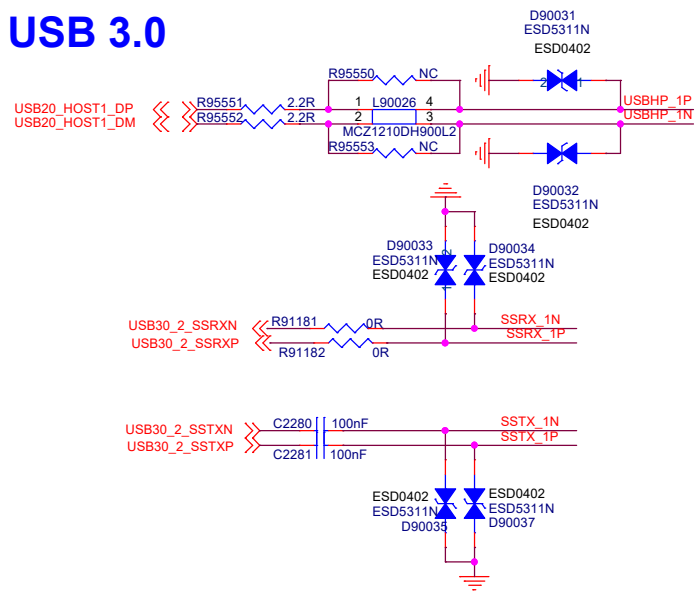


Size	Title: CM5 Compute Module IO Board	REV
A4	Page Name: 11.MIPI_CSI_RX	X2.1
Date: Wednesday, October 11, 2023	Sheet 11 of 19	

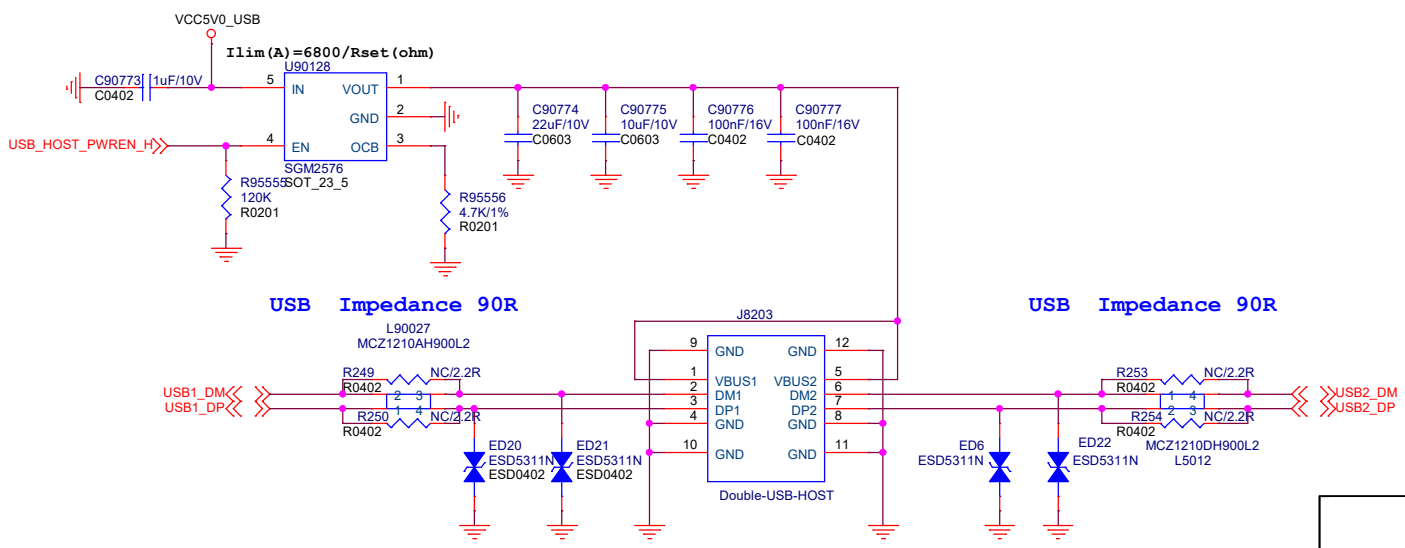


Size	Title: CM5 Compute Module IO Board	REV
A4	Page Name: 12.USB HUB	X2.1
Date:	Wednesday, October 11, 2023	Sheet 12 of 19

# USB 3.0

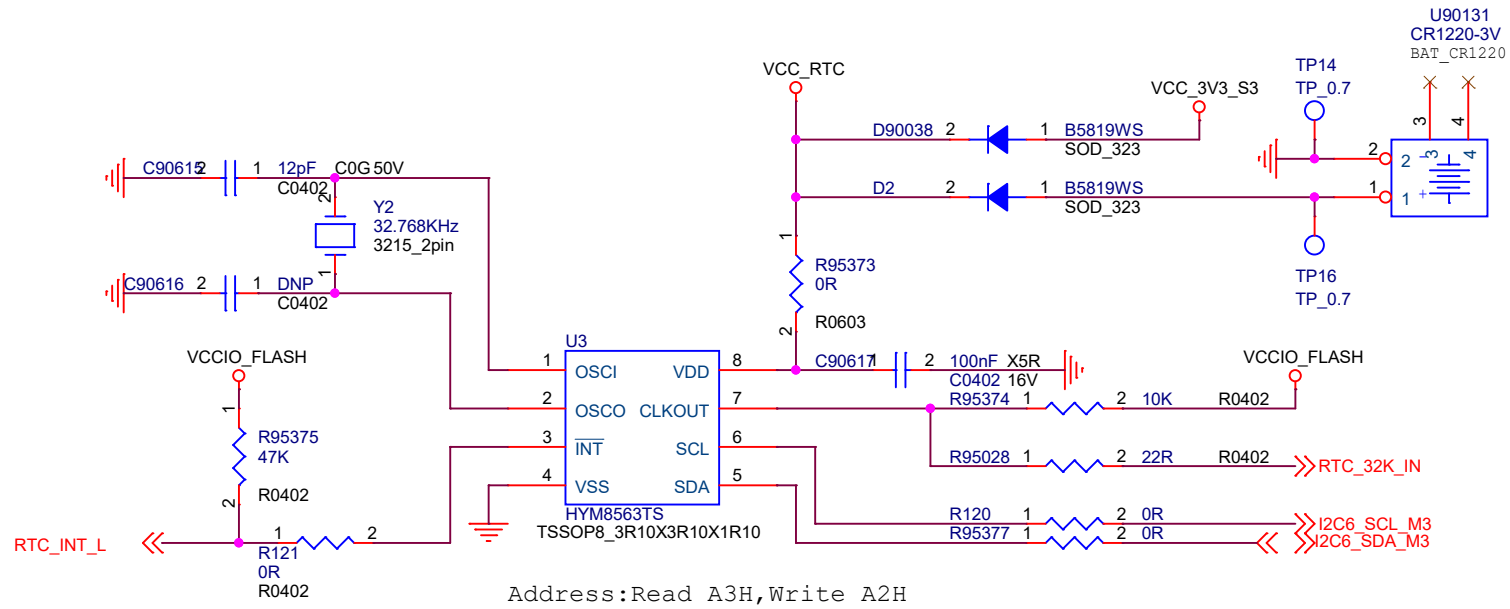


# USB 2.0

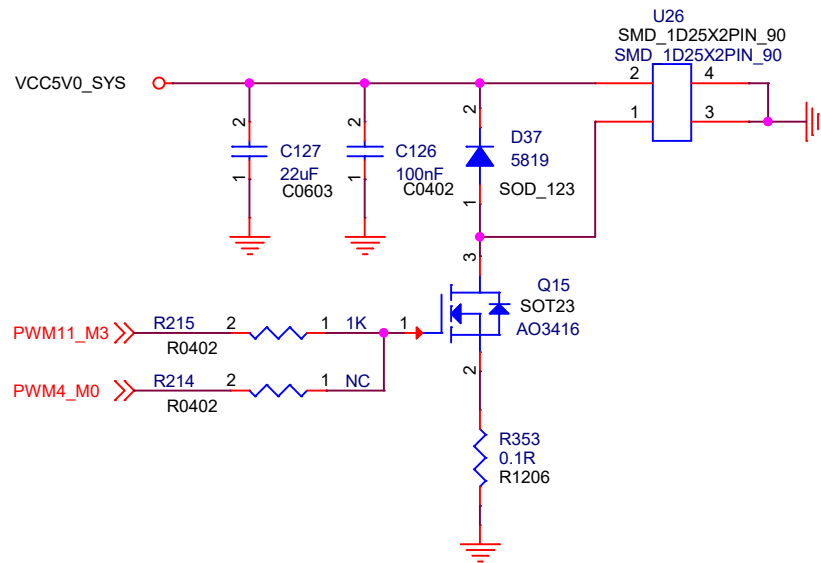


Size	Title: CM5 Compute Module IO Board	REV
B	Page Name: 13.USB HOST	X2.1
Date: Wednesday, October 11, 2023	Sheet 13 of 19	

# RTC



# FAN

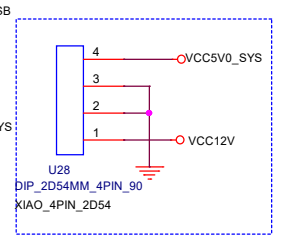
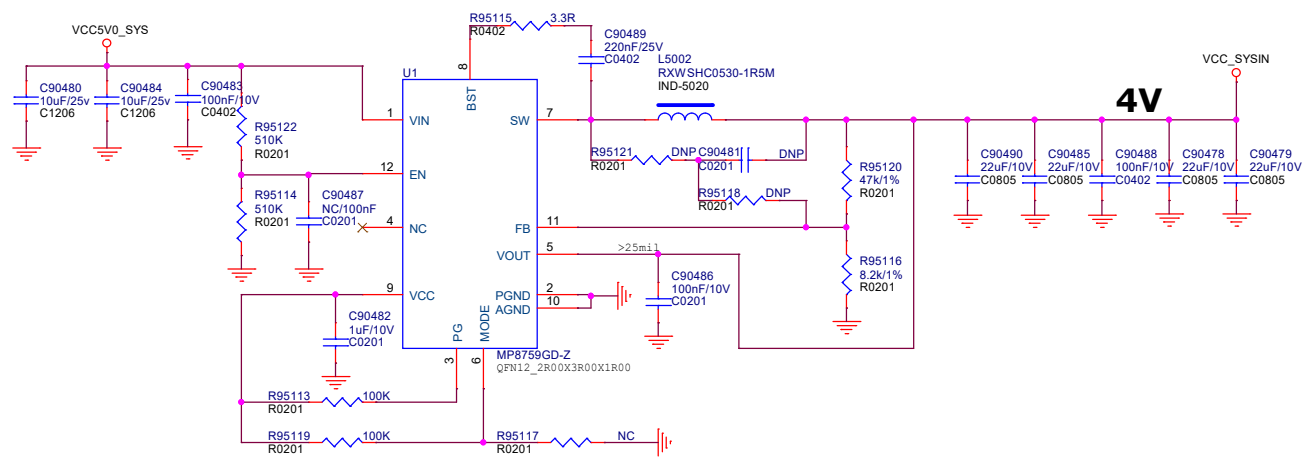
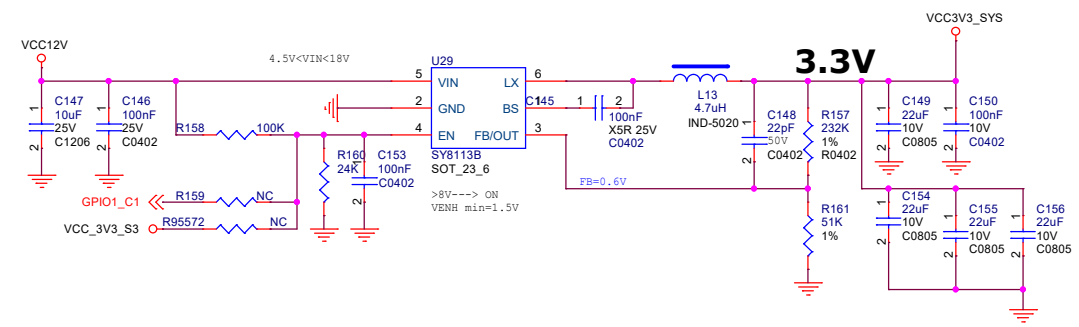
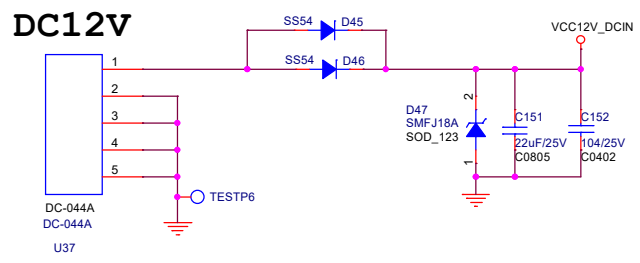
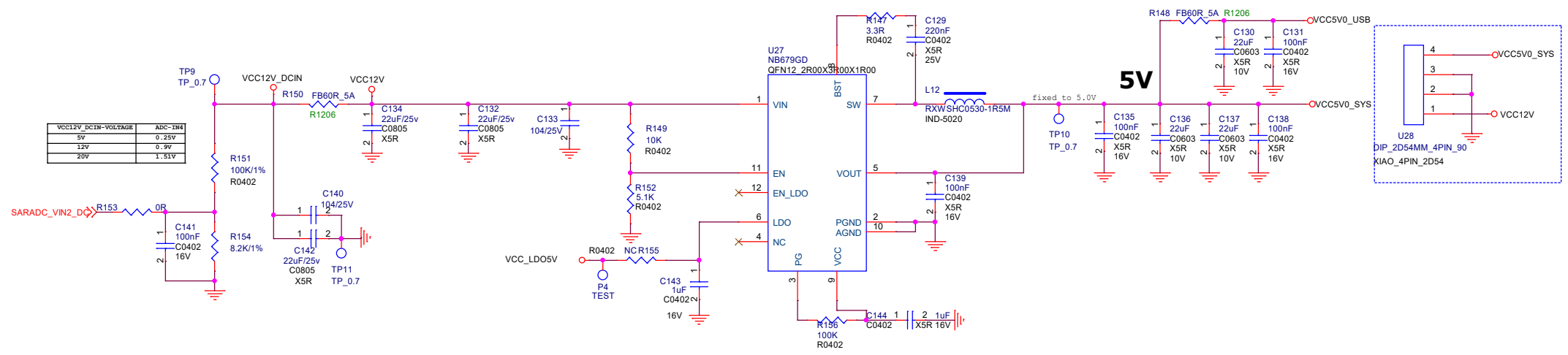



radxa

Size	Title: CM5 Compute Module IO Board	REV
A4	Page Name: 14.FAN_RTC	X2.1
Date:	Wednesday, October 11, 2023	Sheet 14 of 19

# DC IN&SYSTEM Power

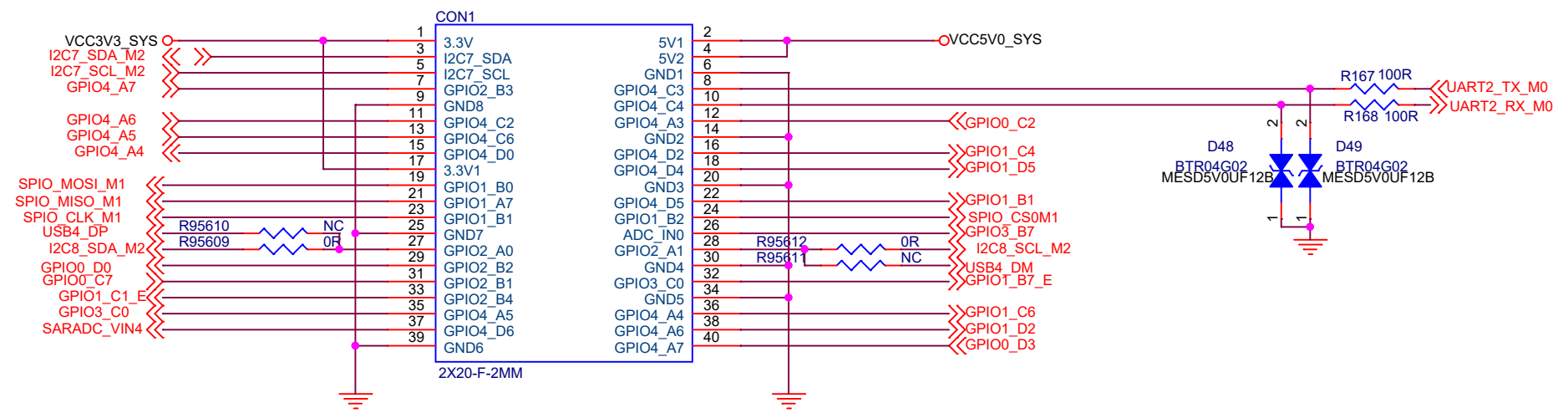
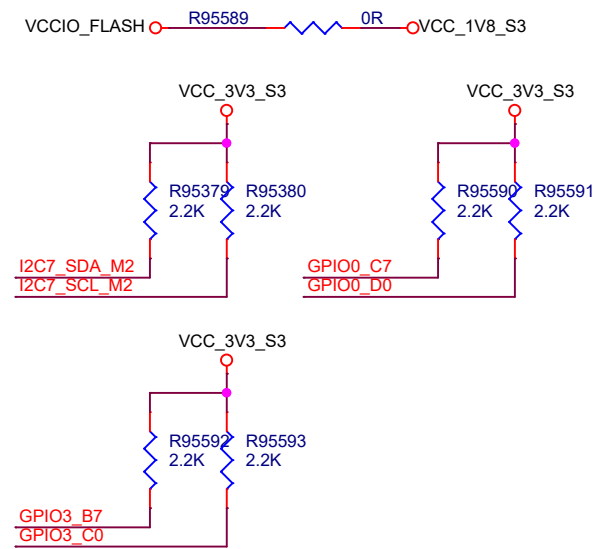
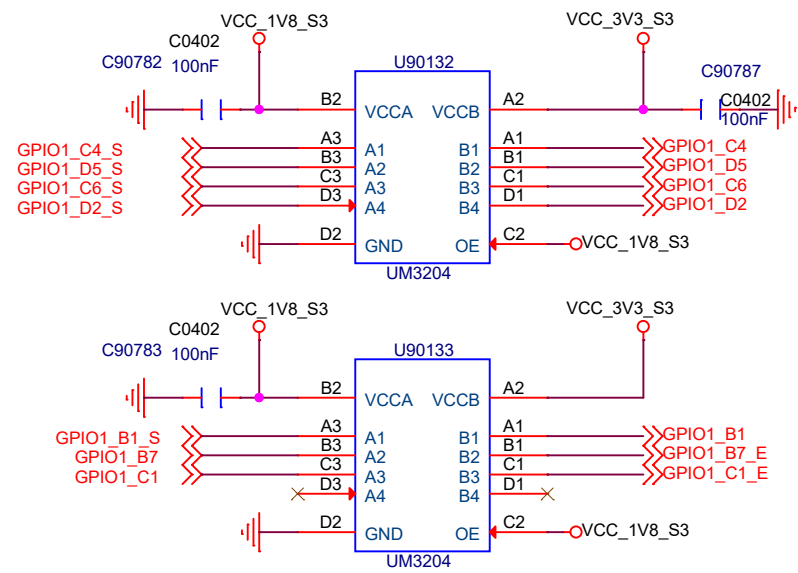
VCC12V_DCIN-VOLTAGE	ADC-INA
5V	0.25V
12V	0.9V
20V	1.35V





Size	Title: <b>CM5 Compute Module IO Board</b>	REV
A3	Page Name: <b>15.Power-DC IN</b>	X2.1
Date:	Wednesday, October 11, 2023	Sheet 15 of 19

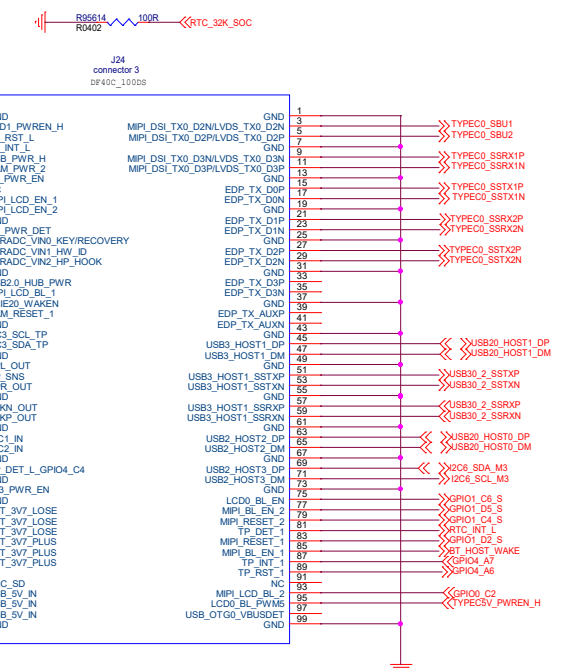
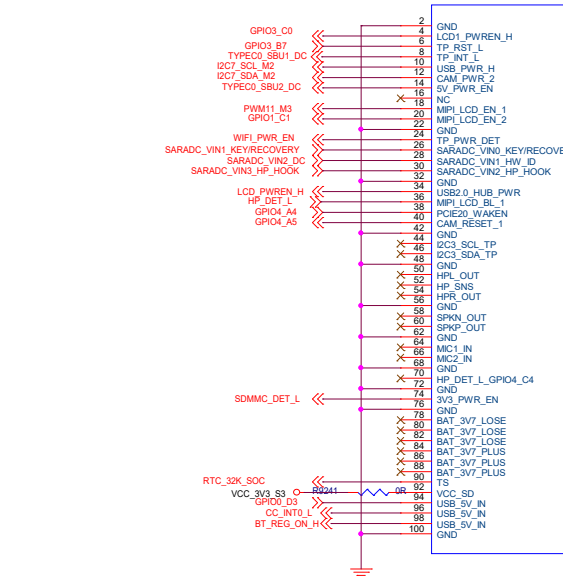
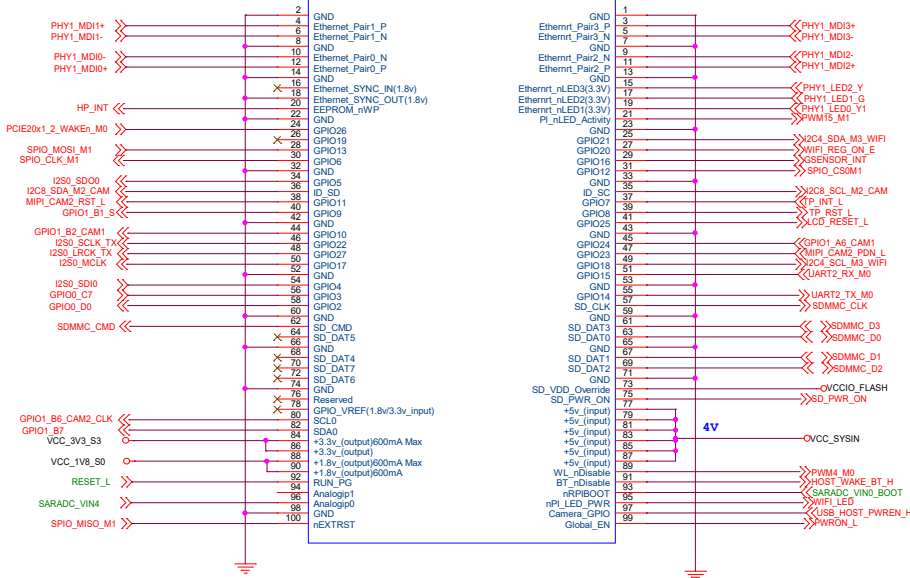
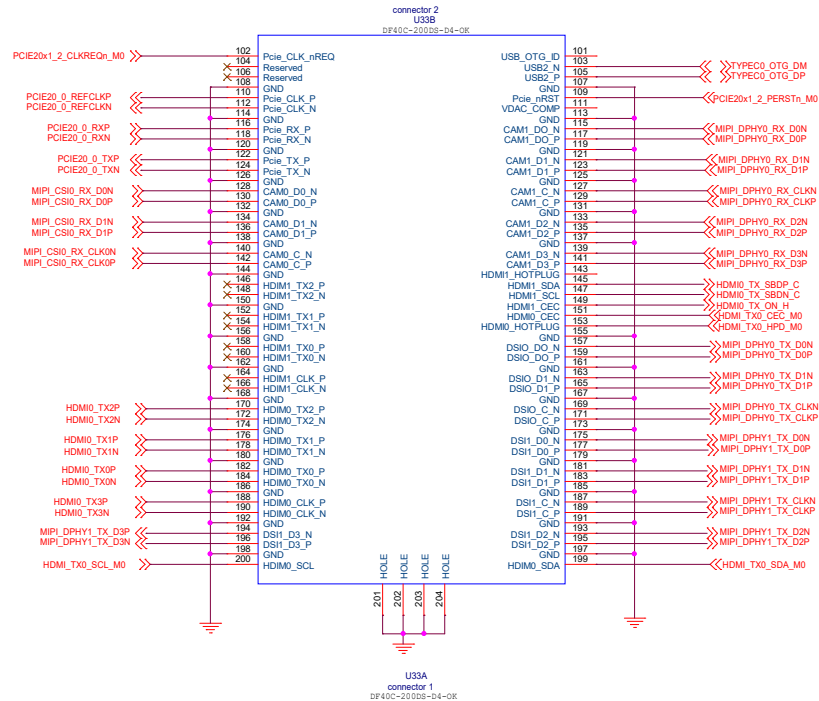
# 40PIN Connector



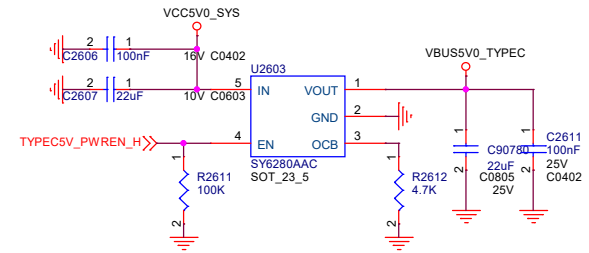
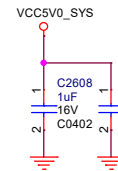
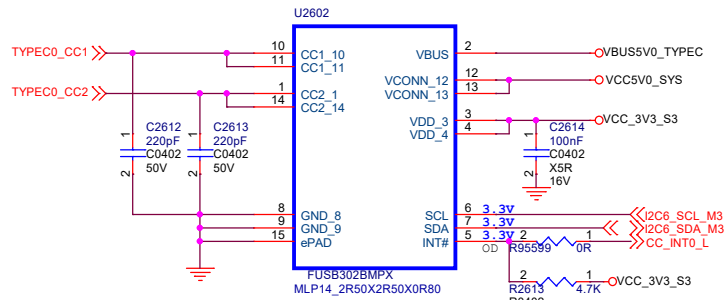
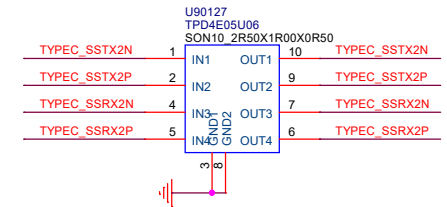
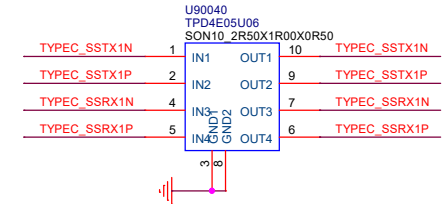
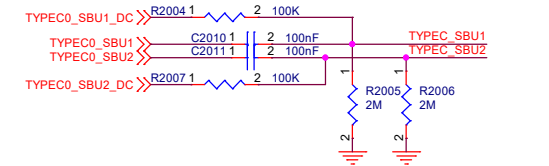
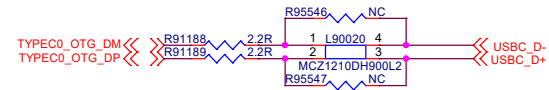
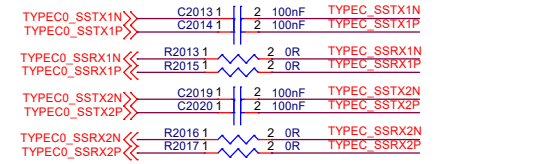
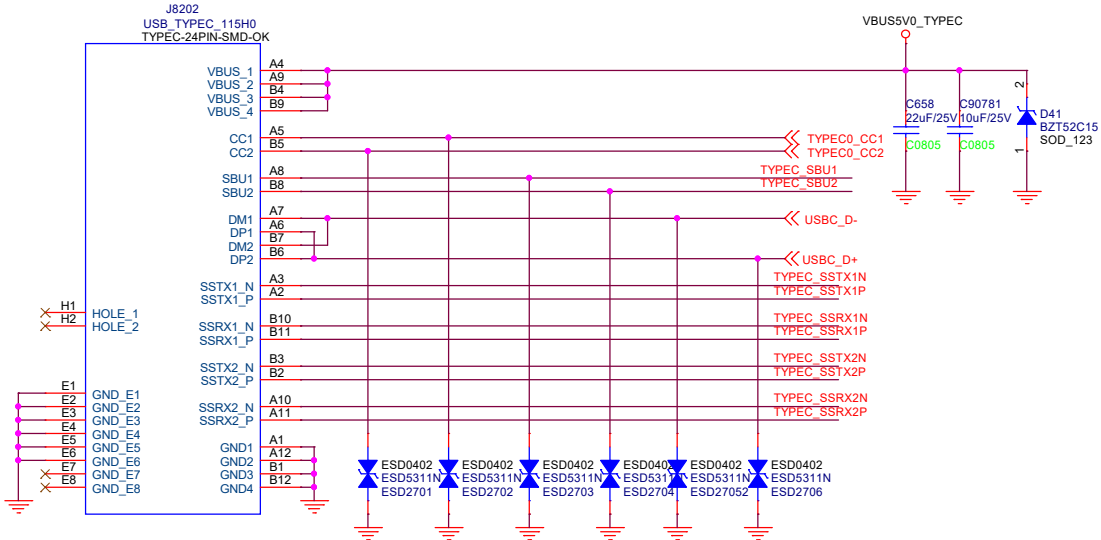
Title: CM5 Compute Module IO Board		REV
A4	Page Name: 16.40PIN Connector	X2.1
Date: Wednesday, October 11, 2023	Sheet 16	of 19

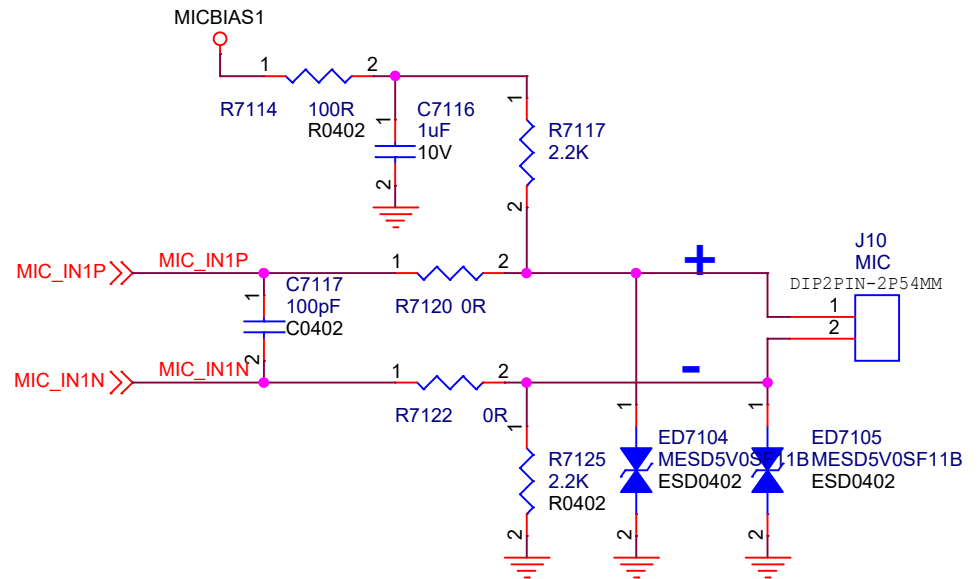
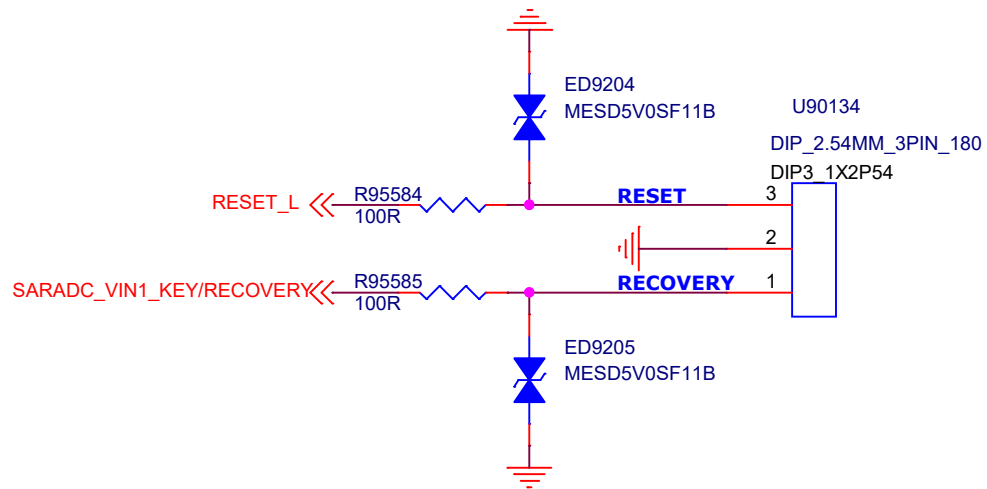
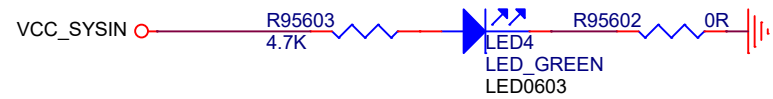
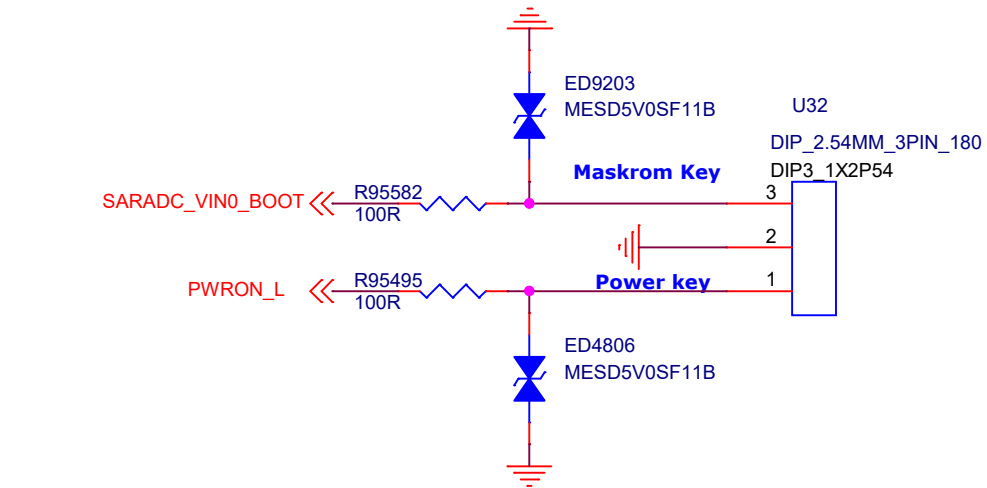


# 100 pin Connector



# Type C





Size	Title: CM5 Compute Module IO Board	REV
A	Page Name: 19.KEY	X2.1
Date: Wednesday, October 11, 2023	Sheet 19 of 19	