
Radxa E20C Product Brief

A Network Computer

Revision 1.0

2024-06-14



Contents

- 1 Revision Control Table 2
- 2 Introduction 3
- 3 Features 4
 - 3.1 Hardware 4
 - 3.2 Interface 5
 - 3.3 Software 5
- 4 Mechanical Specification 6
- 5 Electrical Specification 6
 - 5.1 Power Requirements 6
- 6 Peripherals 6
 - 6.1 eMMC 6
 - 6.2 USB 7
 - 6.3 Gigabit Ethernet 7
- 7 Availability 7
- 8 Support 7

1 Revision Control Table

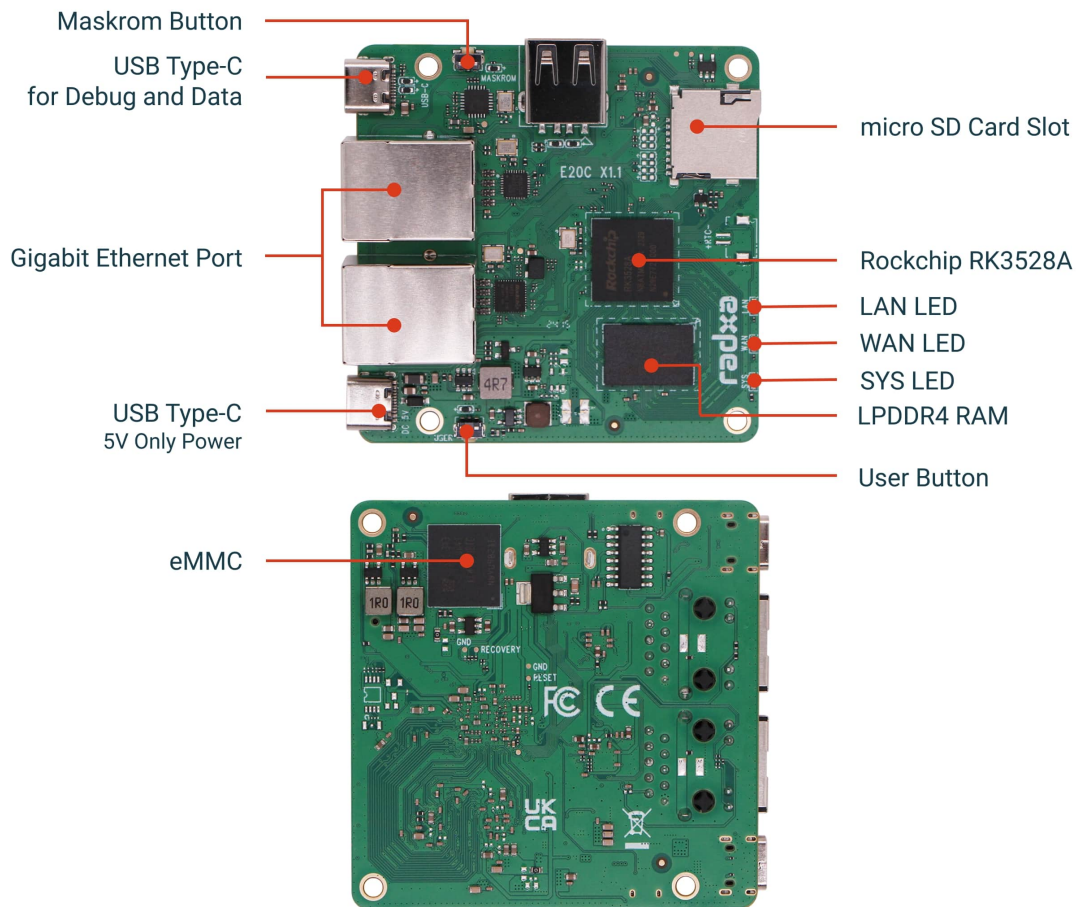
Version	Date	Changes from previous version
1.0	2024/06/14	First version

2 Introduction

Radxa E20C is a Network Computer in an ultra-small form factor that offers a wide range of networking capabilities.

The Radxa E20C offers makers, IoT enthusiasts, hobbyists, PC DIY enthusiasts and others a reliable and extremely capable platform for building and tinkering their ideas into reality.





3 Features

3.1 Hardware

- Rockchip RK3528A SoC
- Quad-core ARM Cortex-A53
- ARM Mali-450 GPU:
 - OpenGL® ES1.1, ES2.0
 - OpenVG® 1.1
- LPDDR4 RAM options:
 - 1GB

- 2GB
- 4GB
- Onboard eMMC
- H.264, H.265 and AVS2 decoder by 4Kx2K@60fps
- H.264 and H.265 encoder by 1920x1080@60fps
- Aluminum Alloy Case for Efficient Heat Dissipation

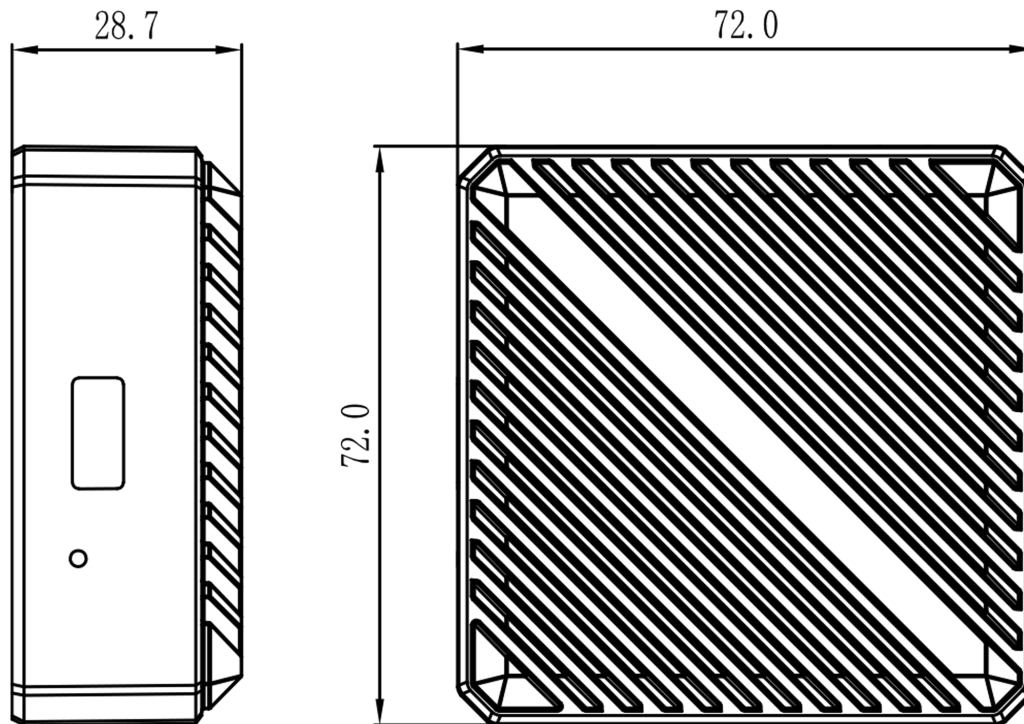
3.2 Interface

- 1x microSD Card Slot
- 1x USB 2.0 Type-A HOST ports
- 1x USB Type-C for Debug and Data
- 2x Gigabit Ethernet ports
- 1x Maskrom Button
- 1x User Button

3.3 Software

- ARMv8 Instruction Set
- Debian Linux support
- OpenWrt support
- Hardware access/control library for Linux

4 Mechanical Specification



5 Electrical Specification

5.1 Power Requirements

The Radxa E20C supports power from USB Type-C with 5V voltage, the suggested power source capability is 5V/3A with all the peripherals connected.

6 Peripherals

6.1 eMMC

Radxa E20C offers an internal high speed eMMC for OS and data storage.

6.2 USB

The Radxa has 1x USB 2.0 HOST Type-A Port and 1x USB Type-C for Debug and Data.

6.3 Gigabit Ethernet

The Radxa E20C offers two Gigabit Ethernet ports. Under the OpenWrt system, these two interfaces can be flexibly configured as WAN (Wide Area Network Interface) or LAN (Local Area Network Interface) ports, providing users with a highly customised network solution.

7 Availability

Radxa guarantee availability Radxa E20C until at least September 2034.

8 Support

For support please see the hardware documentation section of the [Radxa Website](#) and post questions to the [Radxa forum](#).