

---

# Radxa E20C Product Brief

A Mini Network Titan

Revision 1.1

2024-07-01



## Contents

- 1 Revision Control Table 2
- 2 Introduction 3
- 3 Features 4
  - 3.1 Hardware . . . . . 4
  - 3.2 Interface . . . . . 5
  - 3.3 Software . . . . . 5
- 4 Mechanical Specification 6
- 5 Electrical Specification 7
  - 5.1 Power Requirements . . . . . 7
- 6 Peripherals 7
  - 6.1 eMMC . . . . . 7
  - 6.2 USB . . . . . 8
  - 6.3 Network . . . . . 8
- 7 Availability 8
- 8 Support 8

# 1 Revision Control Table

---

Version	Date	Changes from previous version
1.0	2024/06/14	First version
1.1	2024/07/01	Modified Ethernet Info

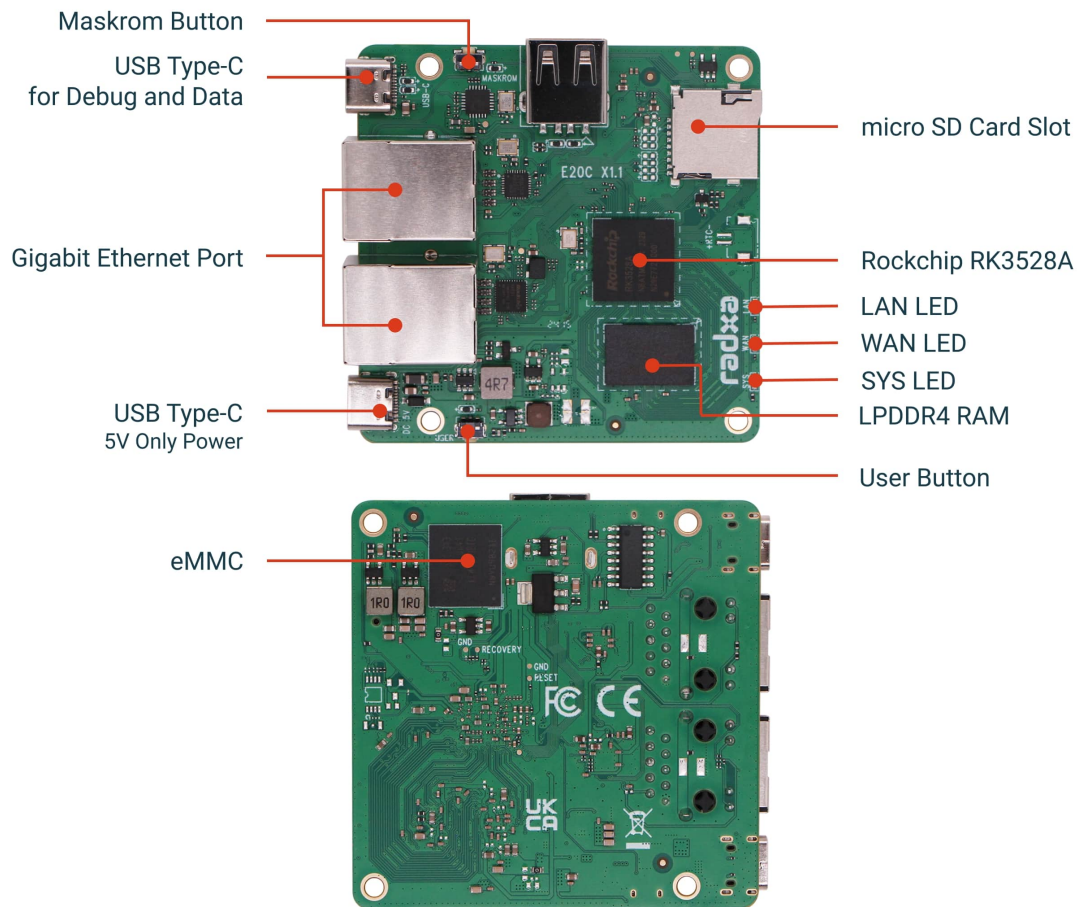
---

## 2 Introduction

Radxa E20C is a Network Computer in an ultra-small form factor that offers a wide range of networking capabilities.

The Radxa E20C offers makers, IoT enthusiasts, hobbyists, PC DIY enthusiasts and others a reliable and extremely capable platform for building and tinkering their ideas into reality.





### 3 Features

#### 3.1 Hardware

- Rockchip RK3528A SoC
- Quad-core ARM Cortex-A53
- ARM Mali-450 GPU:
  - OpenGL® ES1.1, ES2.0
  - OpenVG® 1.1
- LPDDR4 RAM options:
  - 1GB

- 2GB
- 4GB
- Onboard eMMC
- H.264, H.265 and AVS2 decoder by 4Kx2K@60fps
- H.264 and H.265 encoder by 1920x1080@60fps
- Aluminum Alloy Case for Efficient Heat Dissipation

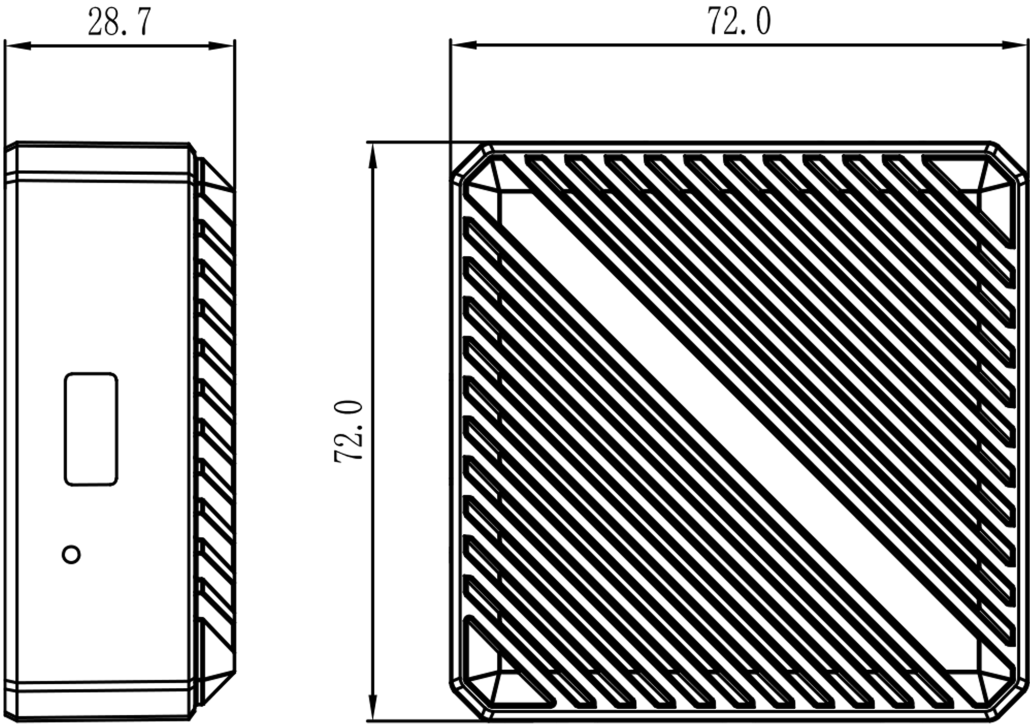
### 3.2 Interface

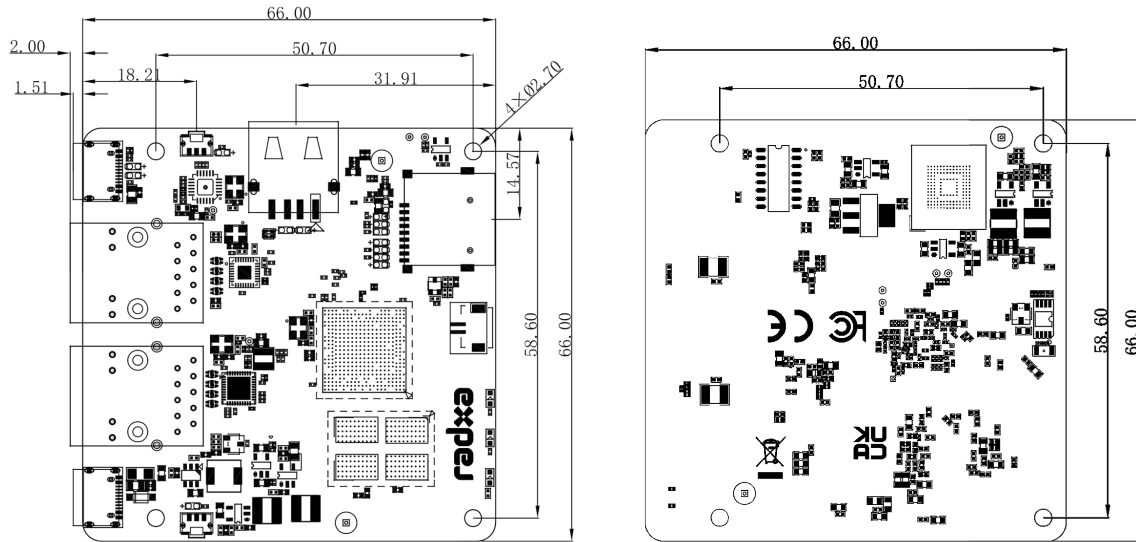
- 1x microSD Card Slot
- 1x USB 2.0 Type-A HOST ports
- 1x USB Type-C for Debug and Data
- 2x Gigabit Ethernet ports
- 1x Maskrom Button
- 1x User Button

### 3.3 Software

- ARMv8 Instruction Set
- Debian Linux support
- OpenWrt support
- Hardware access/control library for Linux

### 4 Mechanical Specification





## 5 Electrical Specification

### 5.1 Power Requirements

The Radxa E20C supports power from USB Type-C with 5V voltage, the suggested power source capability is 5V/2A with all the peripherals connected.

## 6 Peripherals

### 6.1 eMMC

Radxa E20C offers an internal high speed eMMC for OS and data storage.



### 6.2 USB

The Radxa E20C has 1x USB 2.0 HOST Type-A Port and 1x USB Type-C for Debug and Data.

### 6.3 Network

The Radxa E20C offers two 10/100/1000 Mbps RJ45 connectors for wired networking, providing high-speed network connectivity essential for demanding network applications. These interfaces ensure efficient data transfer rates, supporting high-bandwidth activities such as large file transfers, media streaming, and complex IoT deployments. Under the OpenWrt system, these two interfaces can be flexibly configured as WAN (Wide Area Network) or LAN (Local Area Network) ports, offering users a highly customized network solution. The dual ports also offer redundancy and load balancing capabilities, enhancing network reliability and performance.

## 7 Availability

Radxa guarantee availability Radxa E20C until at least September 2034.

## 8 Support

For support please see the hardware documentation section of the [Radxa Website](#) and post questions to the [Radxa forum](#).