



Radxa NX5 IO Board

schematic

V1.4

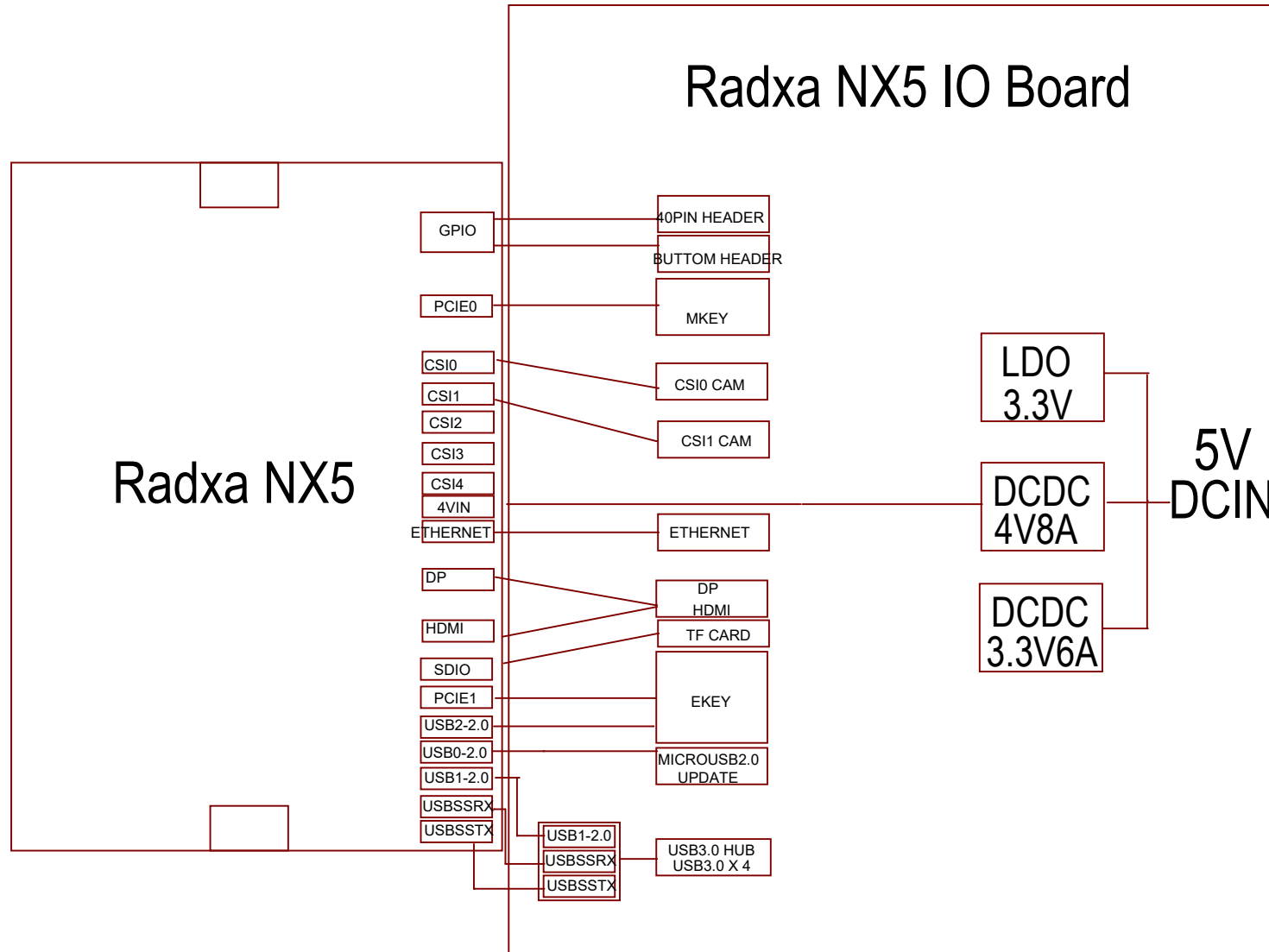
Content

- 01.Cover
- 02.Content
- 03.framwork
- 04.HDMI/DP
- 05.EKEY
- 06.GMAC/POE/KEY/LED
- 07.USB2.0
- 08.CSI/SDCARD
- 09_USB 3.0 HUB
- 10_USB3.0 OTG Port1
- 11.USB3.0 OTG Port2
- 12.POWER
- 13.connetor/40PIN_HEADER



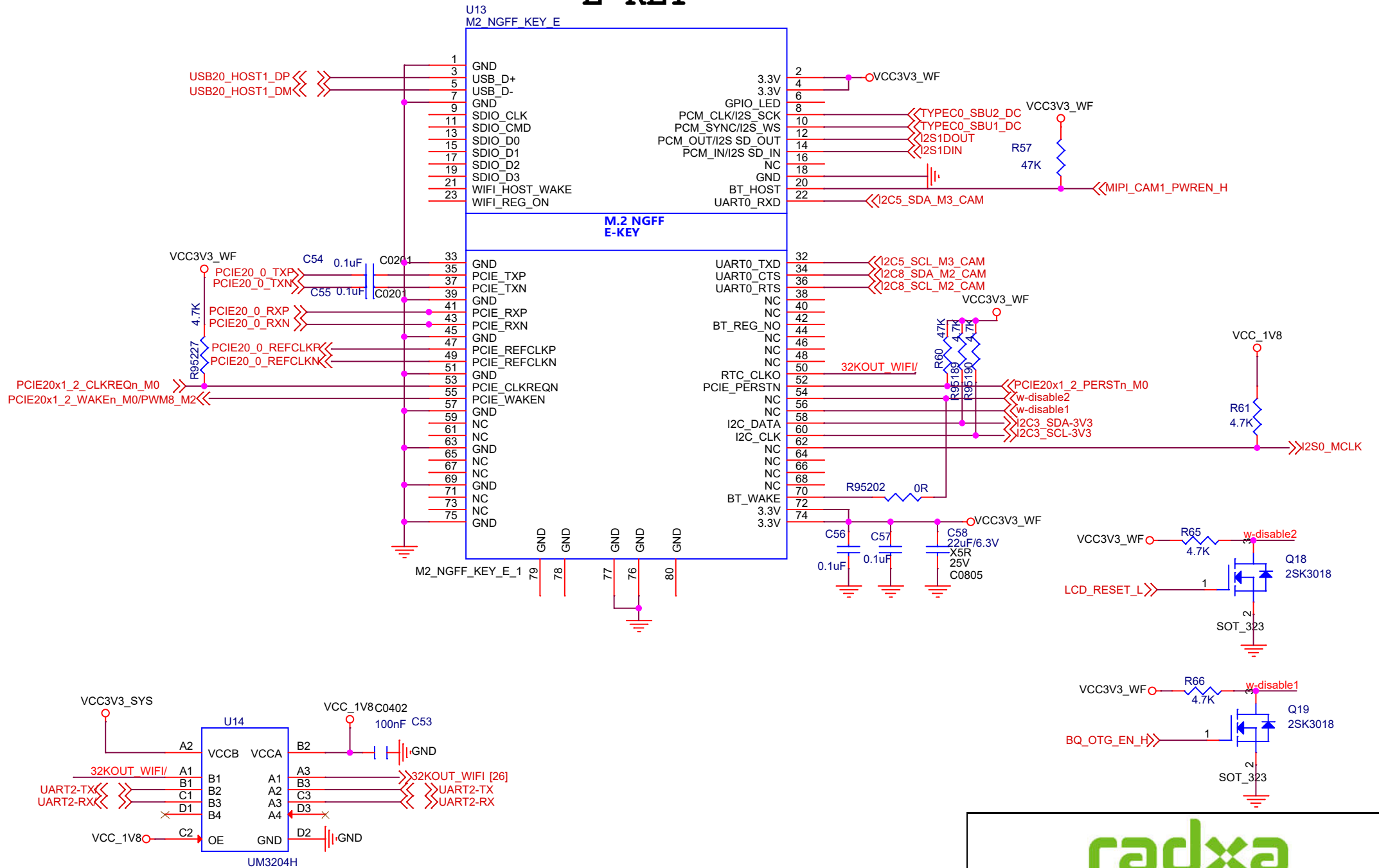
Size	Title: Radxa NX5 IO Board	REV
A4	Page Name: 02.Content	1.4
Date: Monday, November 13, 2023	Sheet 2	of 13

Framework

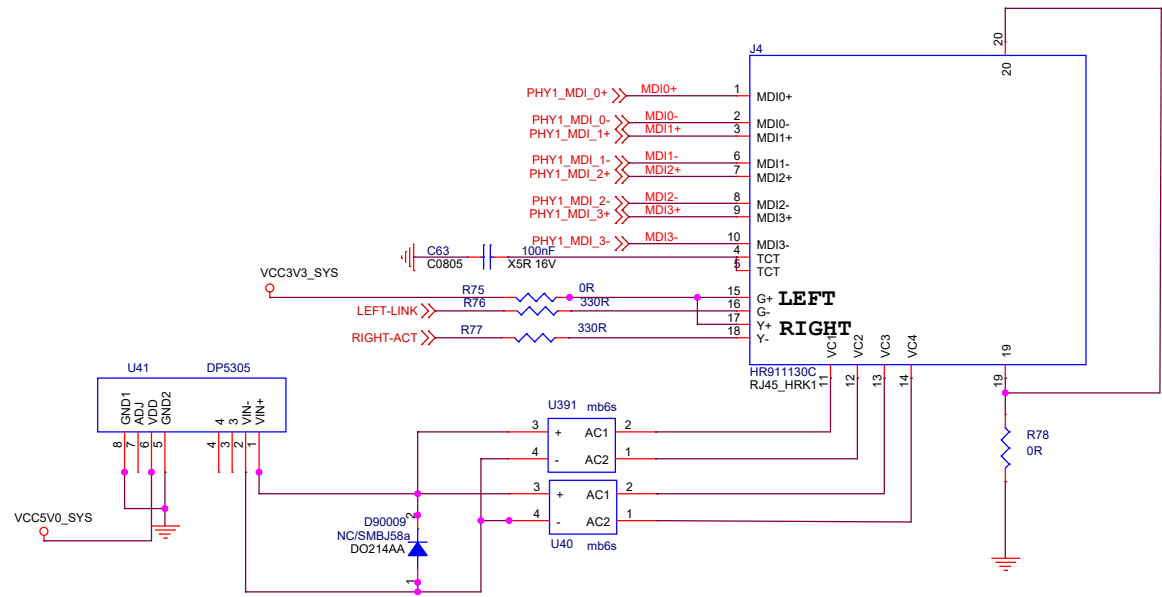
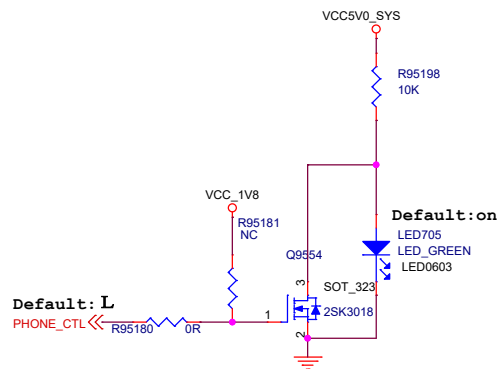
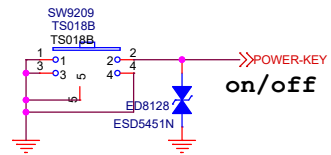
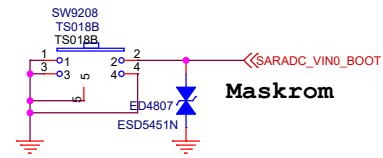
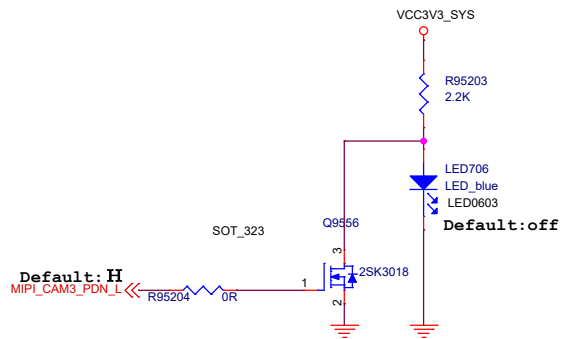


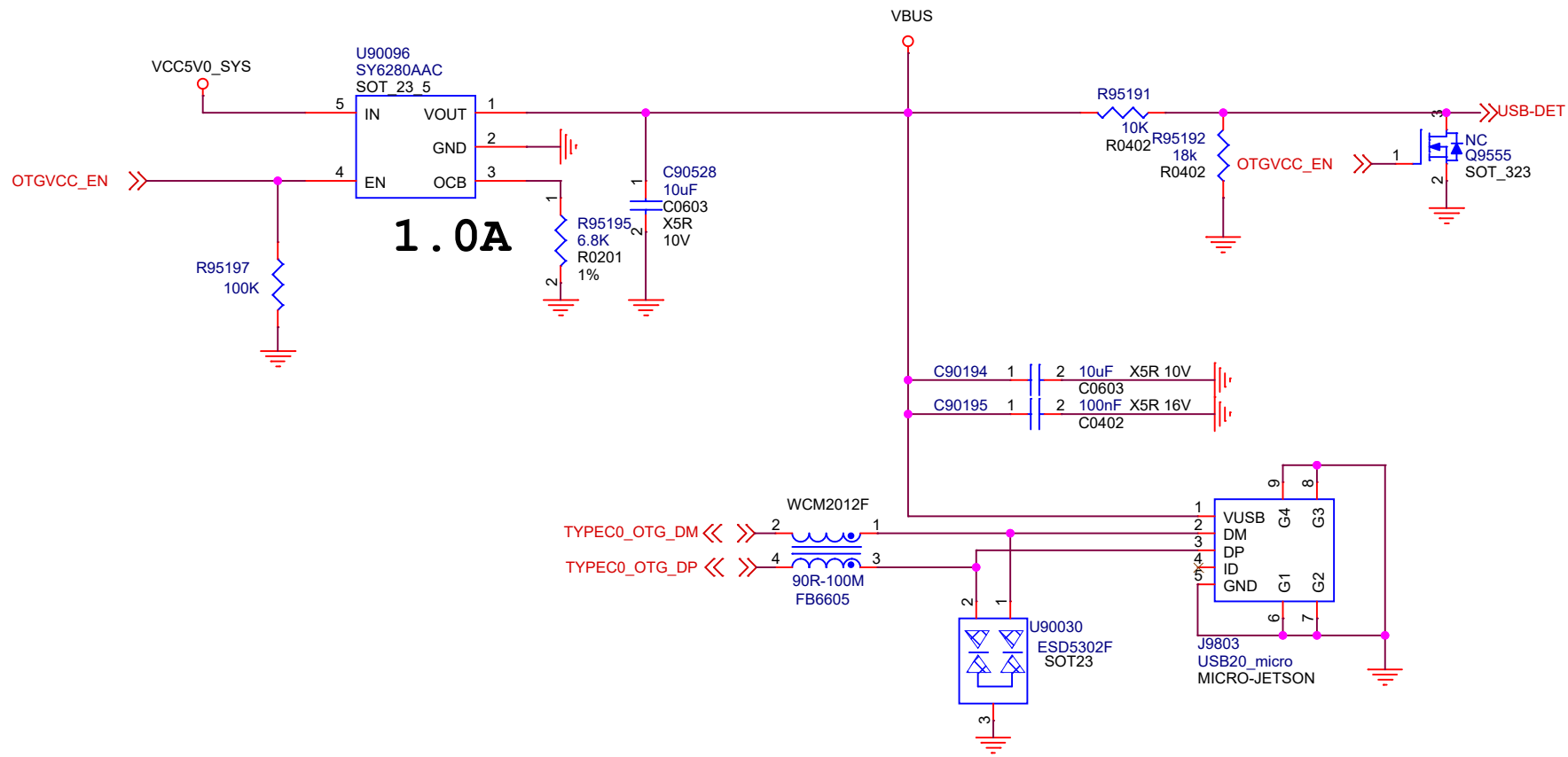
Size	Title: Radxa NX5 IO Board	REV
A4	Page Name: 03.framework	1.4
Date: Monday, November 13, 2023	Sheet 3 of 13	

E KEY

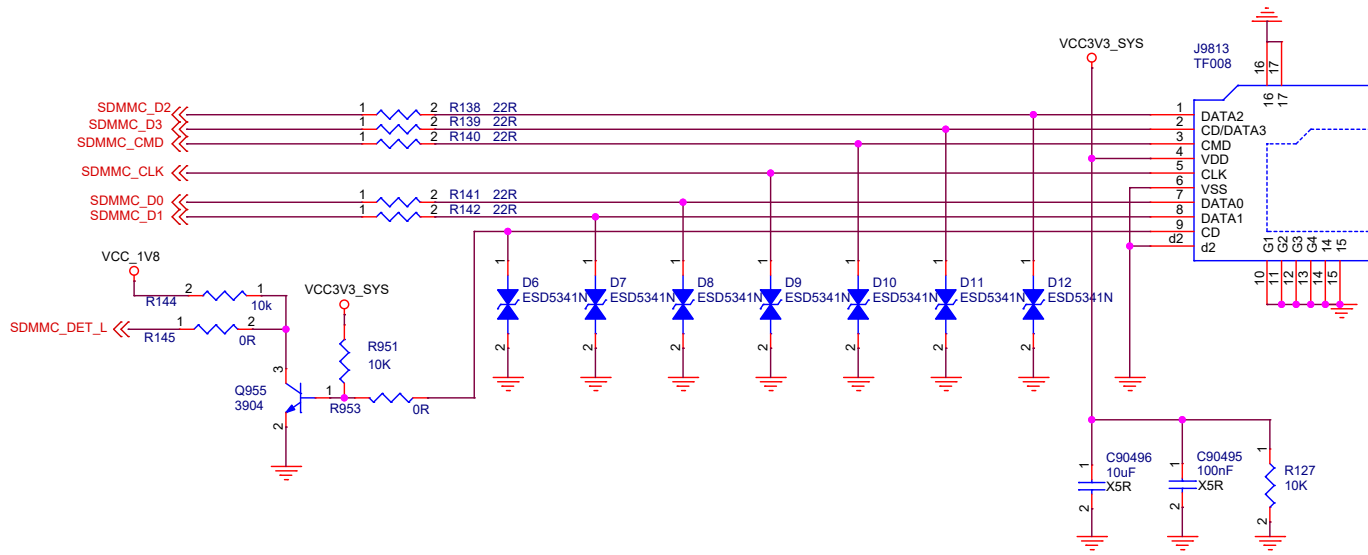
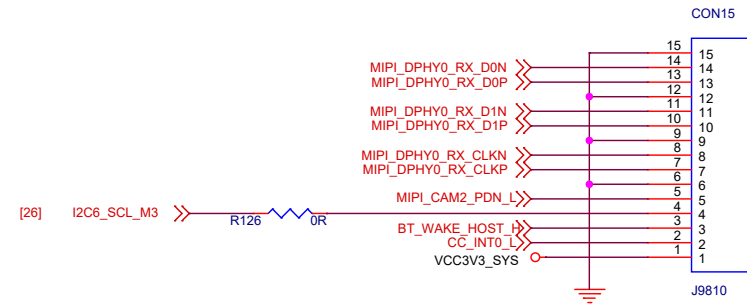
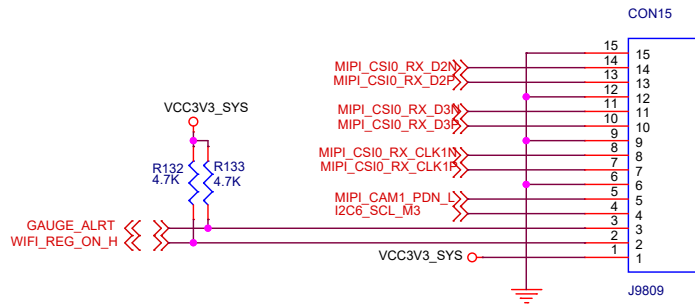


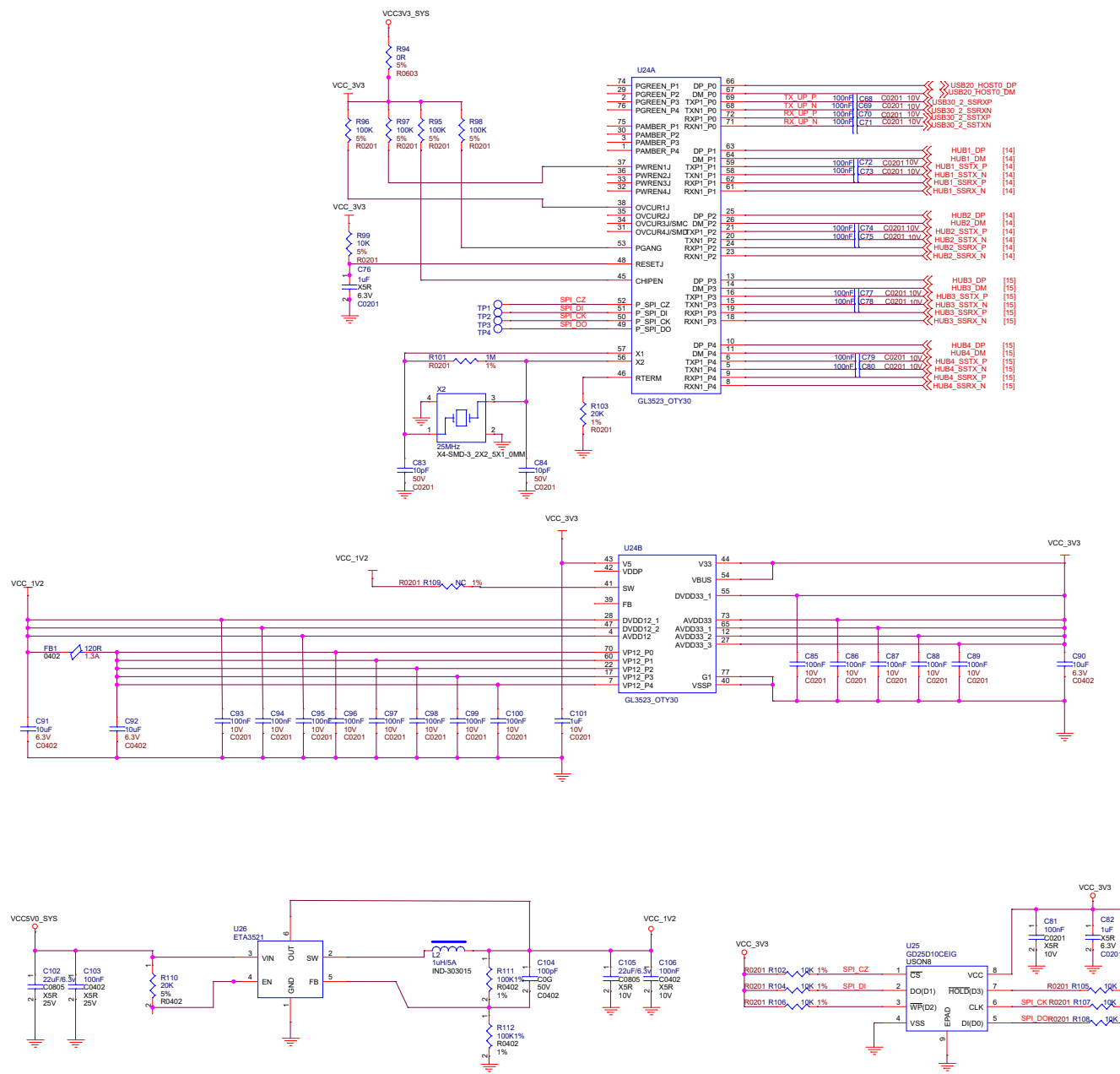
Size	Title: Radxa NX5 IO Board	REV
A4	Page Name: 05.EKEY	1.4
Date: Monday, November 13, 2023	Sheet 5 of 13	

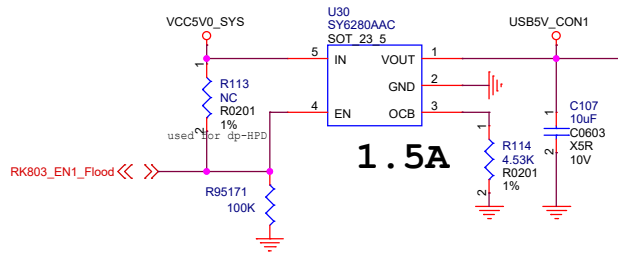
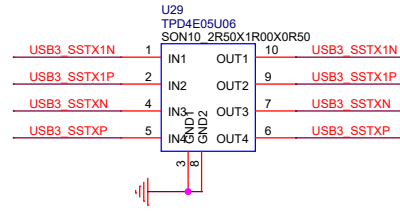
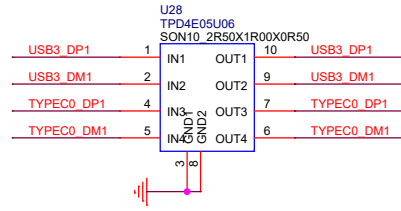
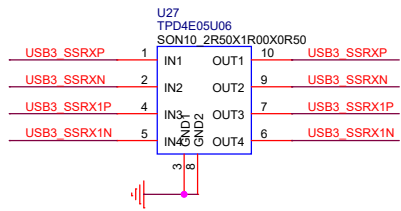




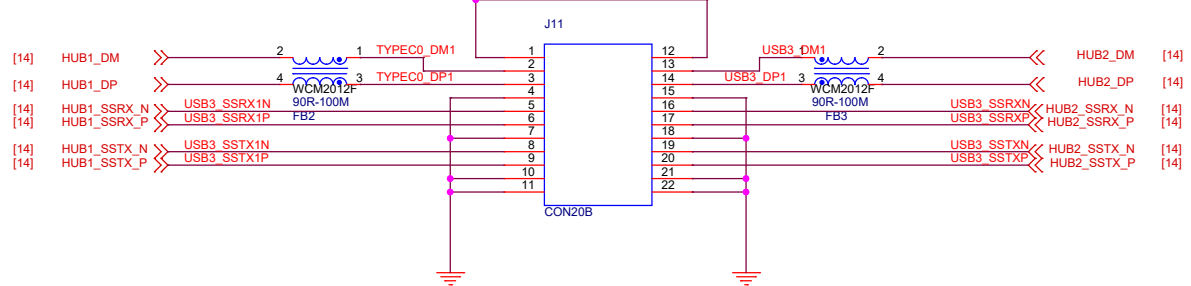
Size	Title: Radxa NX5 IO Board	REV
A4	Page Name: 07.USB2.0	1.4
Date: Monday, November 13, 2023	Sheet 7 of 13	

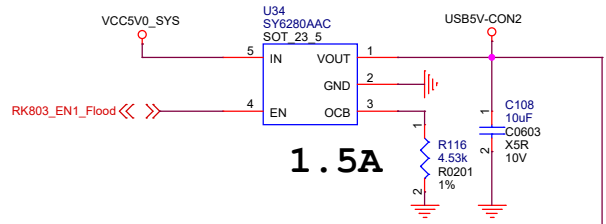
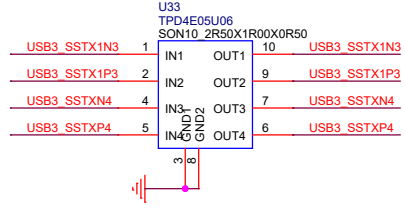
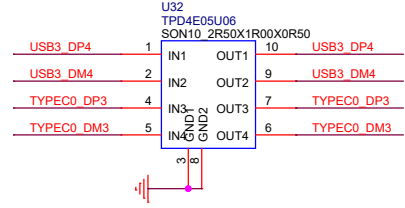
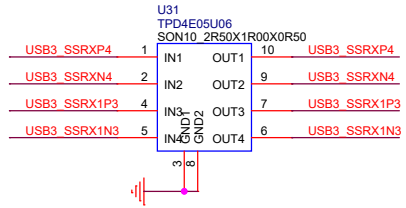




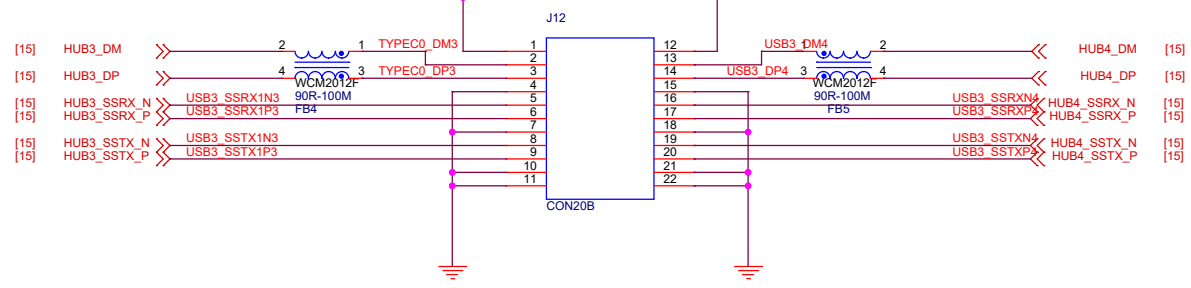


USB3 X 2



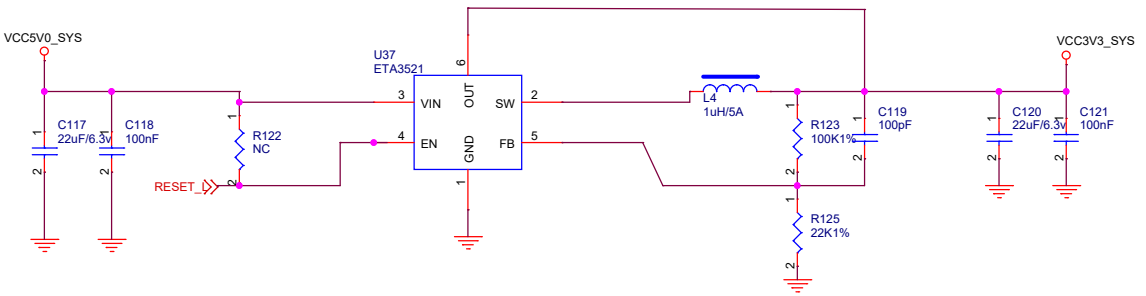
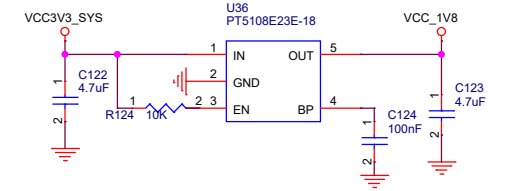
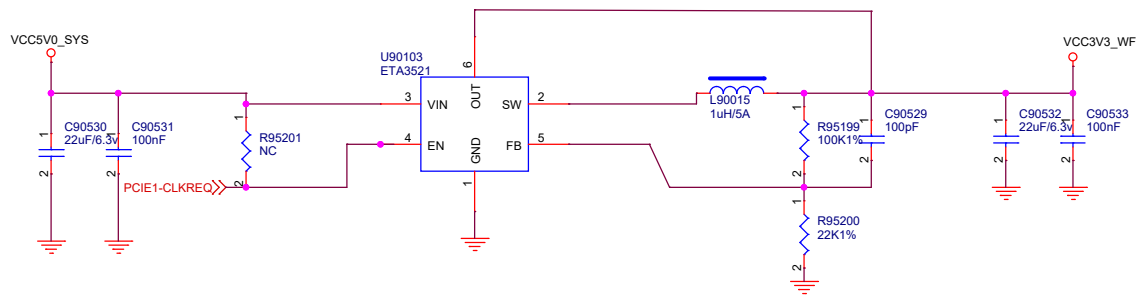
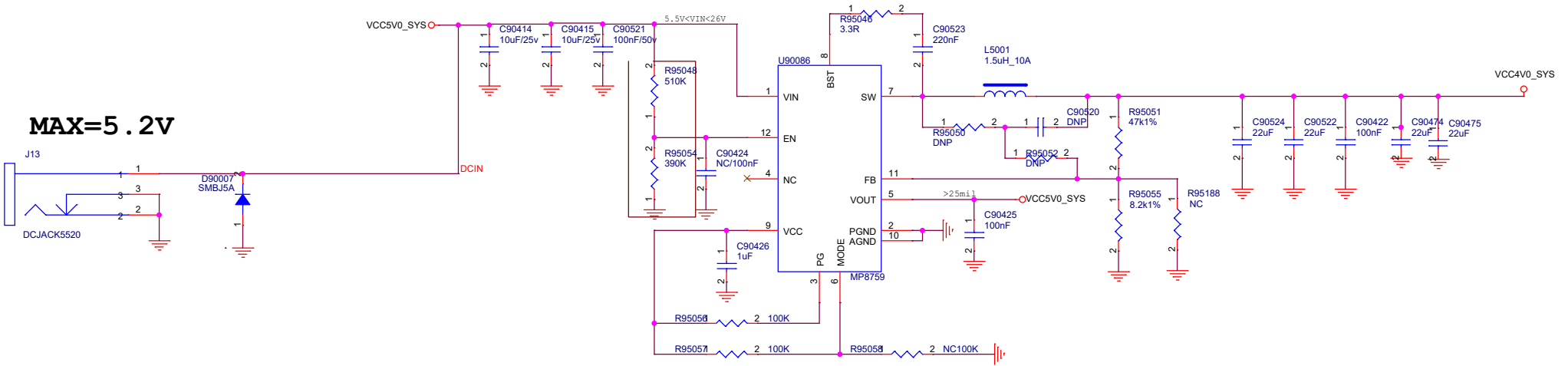


USB3 X 2



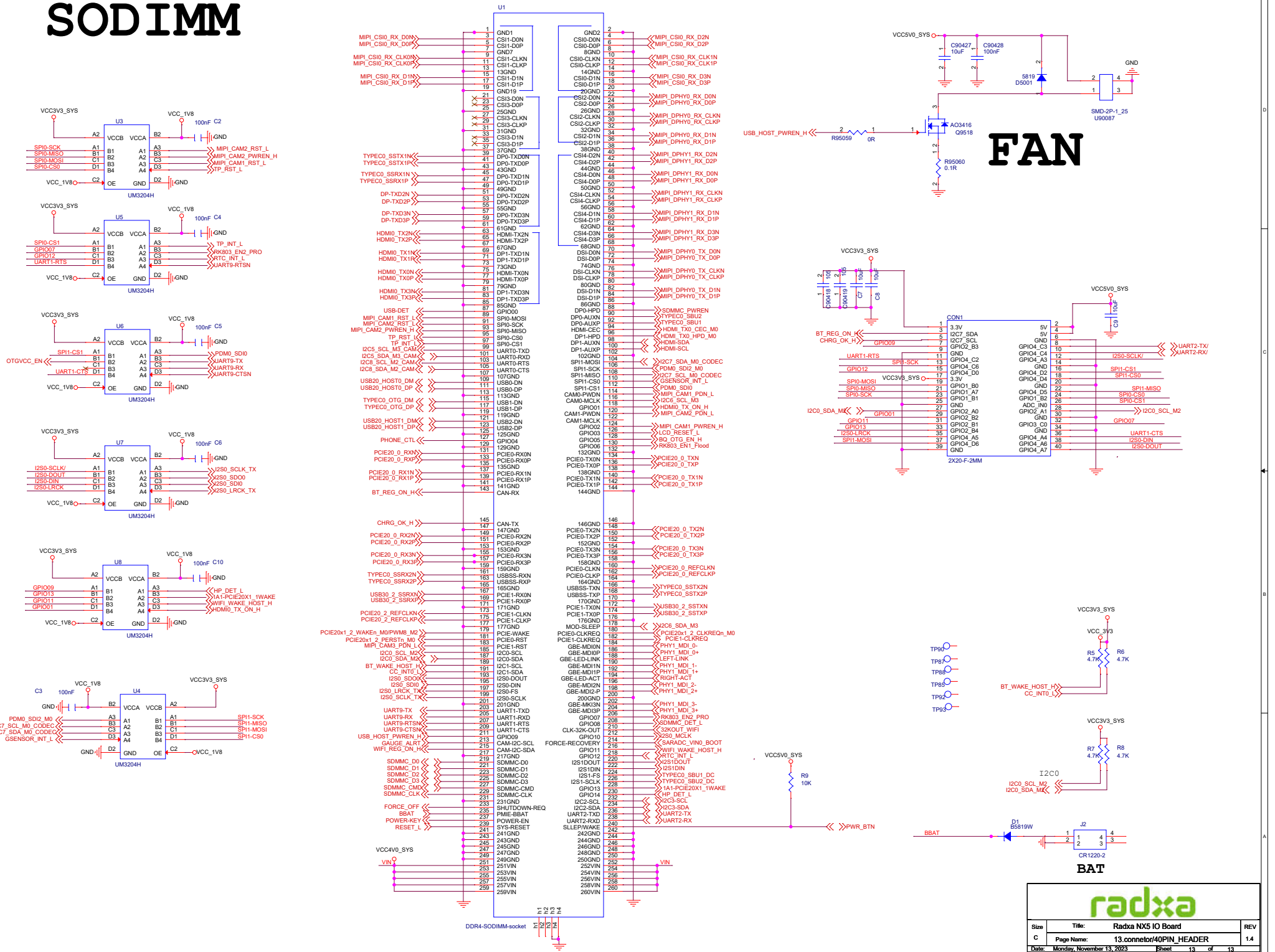
DC IN&SYSTEM Power

MAX=5.2V



Size	Title: Radxa NX5 IO Board	REV
A3	Page Name: 12.POWER	1.4
Date: Monday, November 13, 2023	Sheet 12 of 13	

SOD IMM



radxa

Size	Title:	Radxa NX5 IO Board	REV
C	Page Name:	13_connector#40PIN_HEADER	1.4
Date:	Monday, November 13, 2023	Sheet	13 of 13