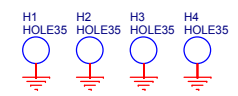
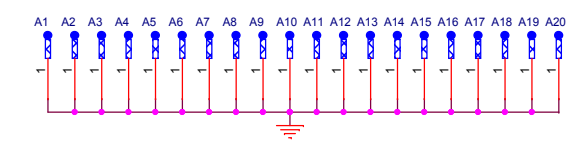
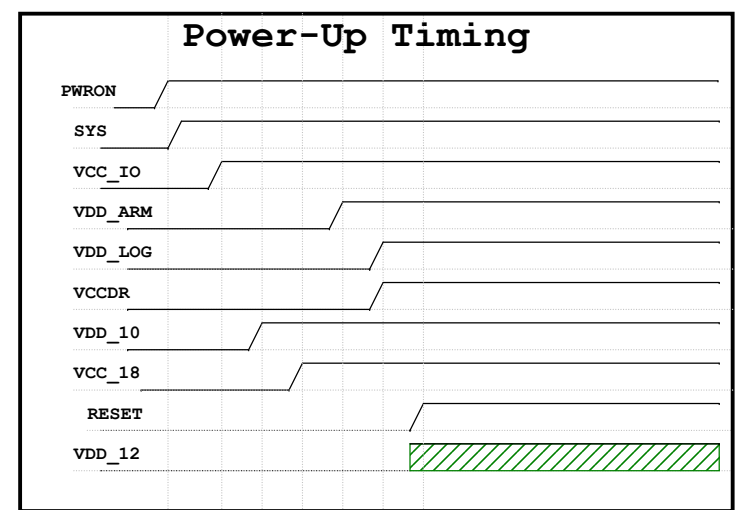


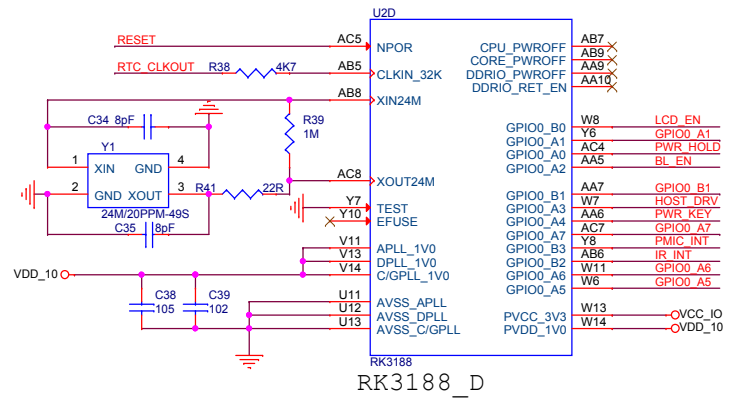
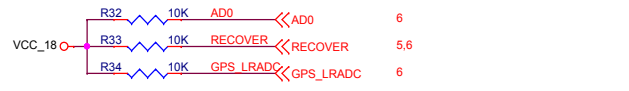
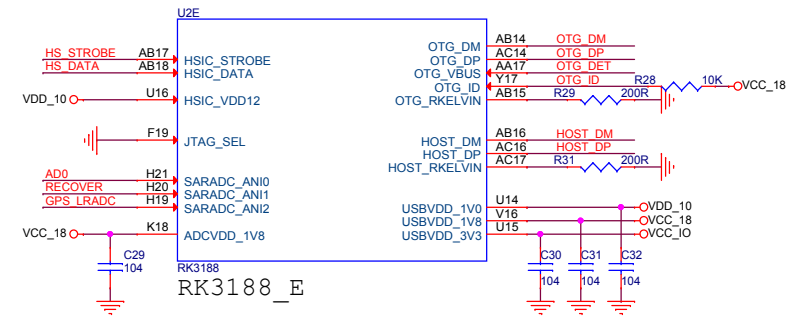
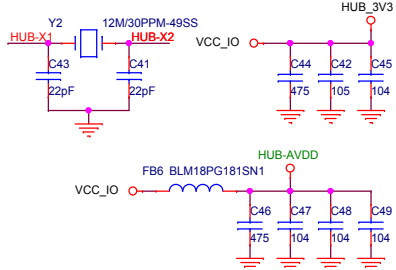
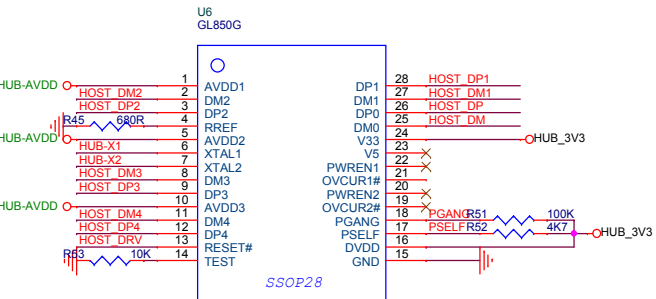
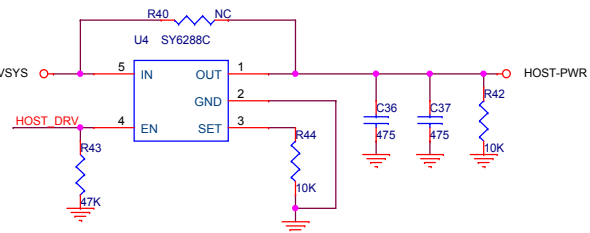
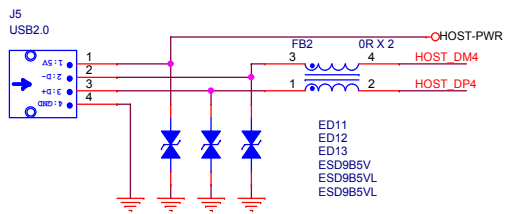
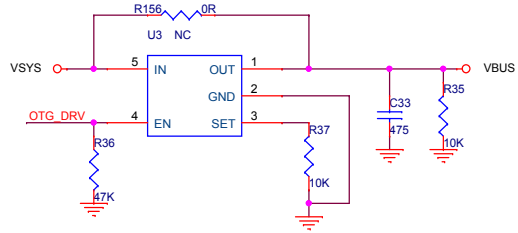
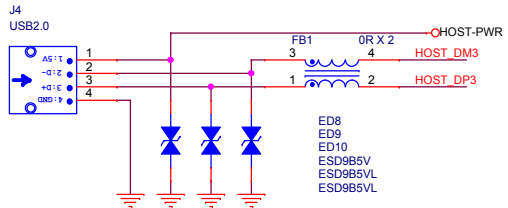
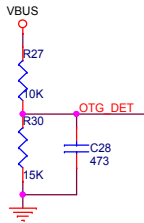
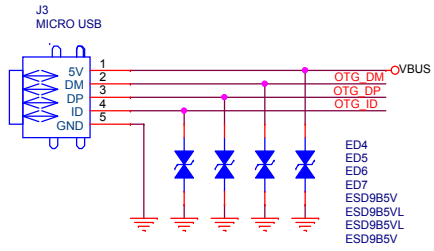
SYSTEM POWER

ACT8846

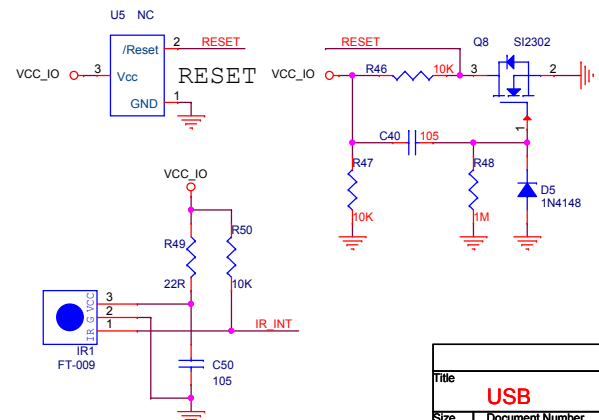


- RTC_INT <<> RTC_INT 6
- RTC_CLKOUT <<> RTC_CLKOUT 3,6
- PMIC_INT <<> PMIC_INT 3
- LED_Sleep <<> LED_Sleep 6
- POWER_SW <<> POWER_SW 6
- PWR_EN <<> PWR_EN 6
- AVDD_COM <<> AVDD_COM 6
- PWR_HOLD <<> PWR_HOLD 3
- PWR_KEY <<> PWR_KEY 3
- DVS0_CTL <<> DVS0_CTL 6
- I2C1_SDA <<> I2C1_SDA 6
- I2C1_SCL <<> I2C1_SCL 6

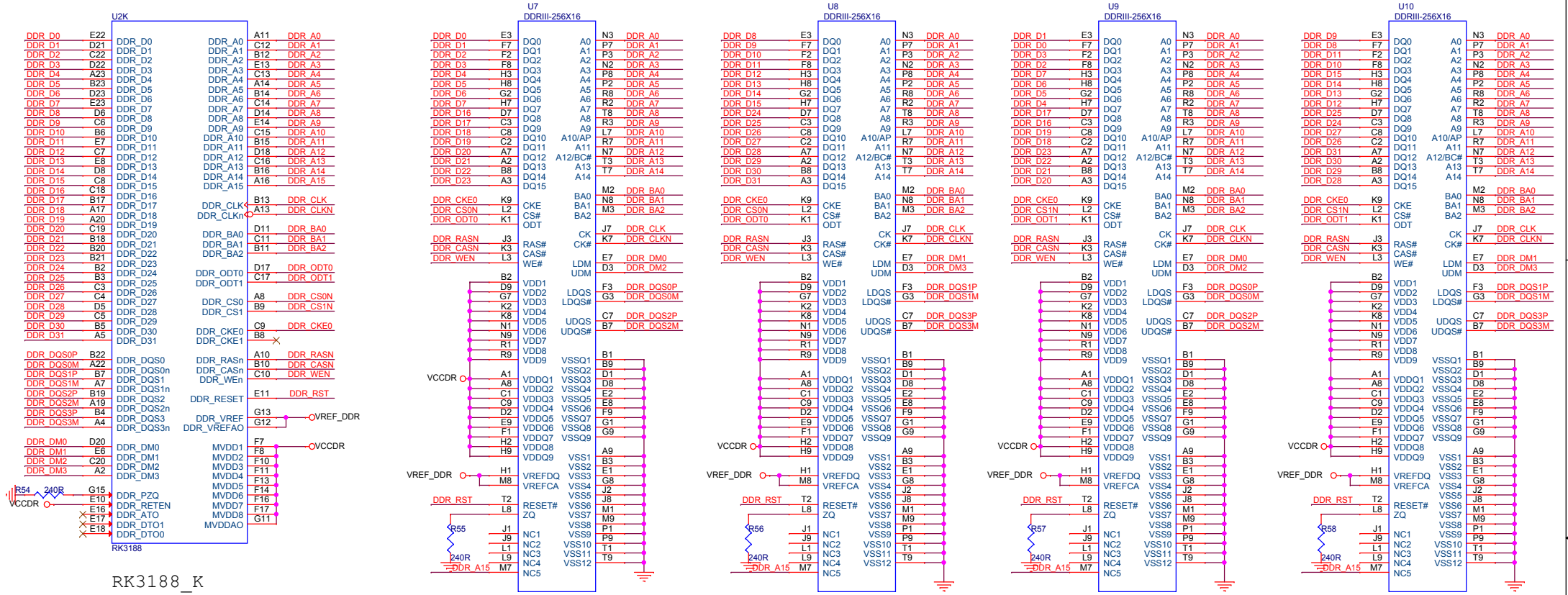
Title		
POWER		
Size	Document Number	Rev
A3	RADXA ROCK	0.1
Date:	Friday, August 30, 2013	Sheet 2 of 9



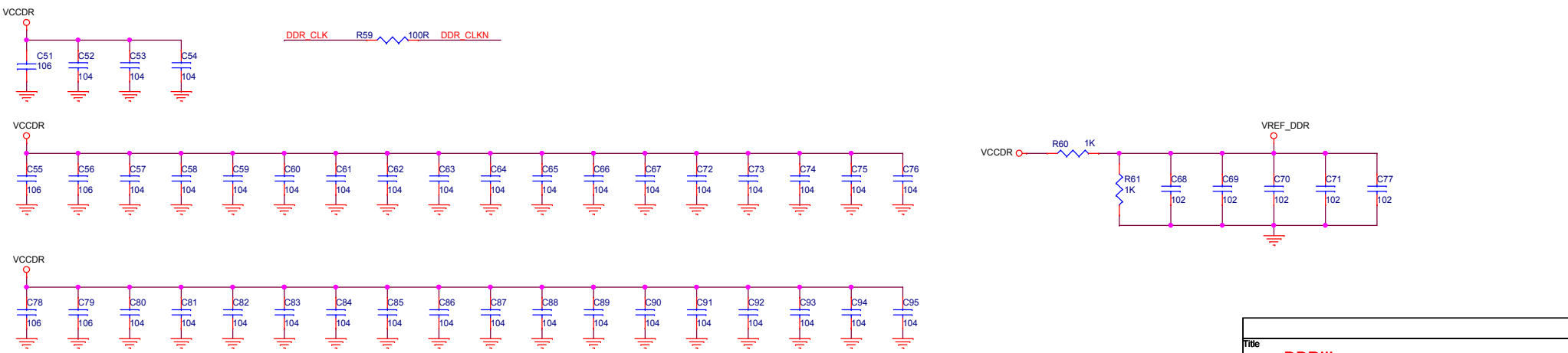
OTG_DRV	<< OTG_DRV	2.6
HS_STROBE	<< HS_STROBE	6
HS_DATA	<< HS_DATA	6
GPIO0_A1	<< GPIO0_A1	6
GPIO0_B1	<< GPIO0_B1	6
GPIO0_A7	<< GPIO0_A7	6
GPIO0_A6	<< GPIO0_A6	6
GPIO0_A5	<< GPIO0_A5	6
RTC_CLKOUT	<< RTC_CLKOUT	2.6
PMIC_INT	<< PMIC_INT	2
PWR_HOLD	<< PWR_HOLD	2
LCD_EN	<< LCD_EN	8
BL_EN	<< BL_EN	8
PWR_HOLD	<< PWR_HOLD	2
HOST_DM1	<< HOST_DM1	5
HOST_DP1	<< HOST_DP1	5
HOST_DM2	<< HOST_DM2	5
HOST_DP2	<< HOST_DP2	6



Title		
USB		
Size	Document Number	Rev
A3	RADXA ROCK	0.1
Date:	Friday, August 30, 2013	Sheet 3 of 9

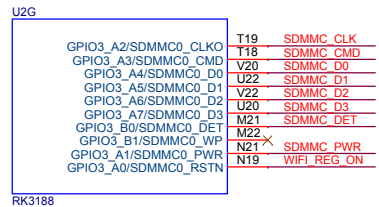
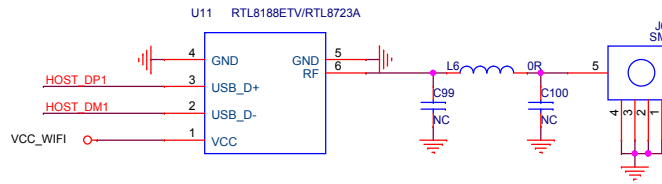
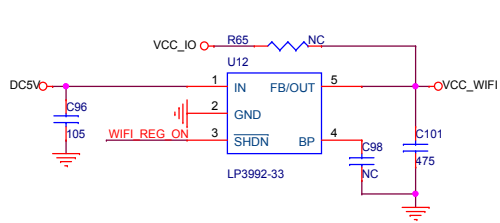


RK3188_K

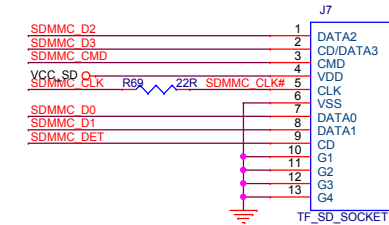
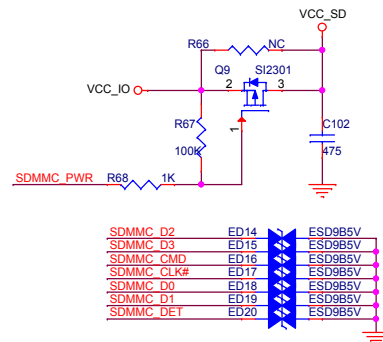


DDR FILTER

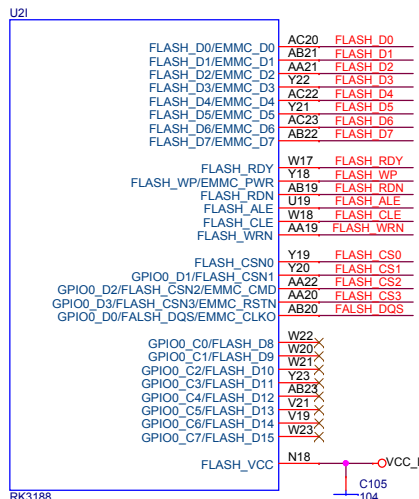
Title		
DDRIII		
Size	Document Number	
A3	RADXA ROCK	
Date:	Friday, August 23, 2013	Sheet 4 of 9
Rev	0.1	



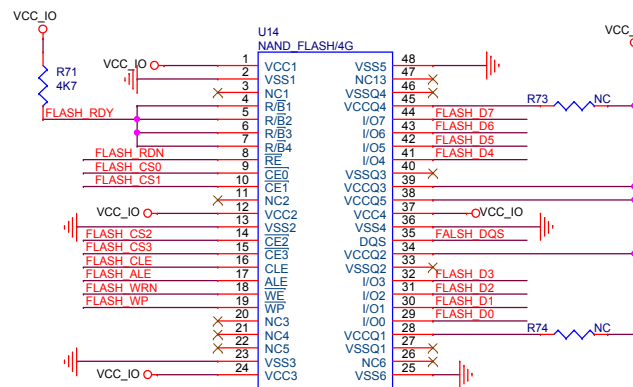
RK3188_G



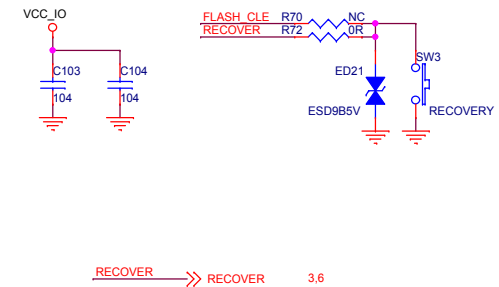
TF Card



RK3188_I

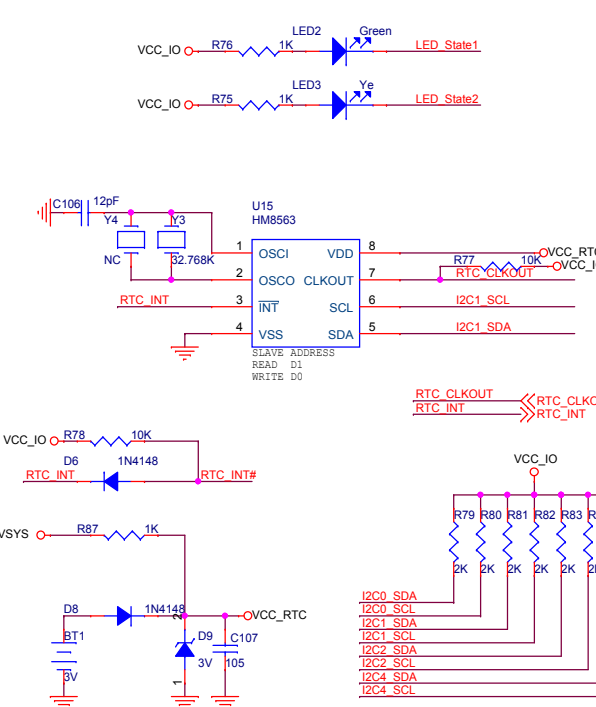


note: if use toshiba and sandisk DDR mode, PIN28 and PIN45 must connect vcc_io.

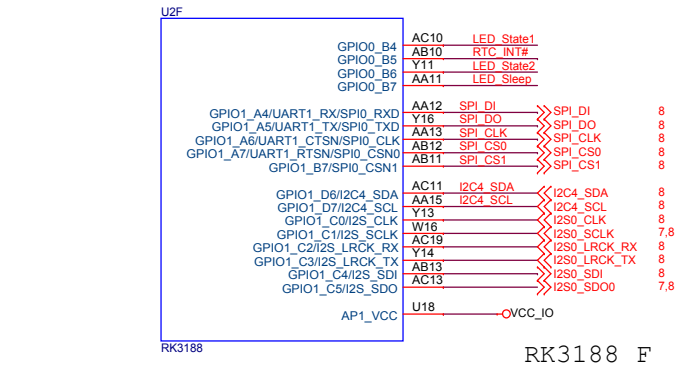


RECOVER >>> RECOVER 3.6

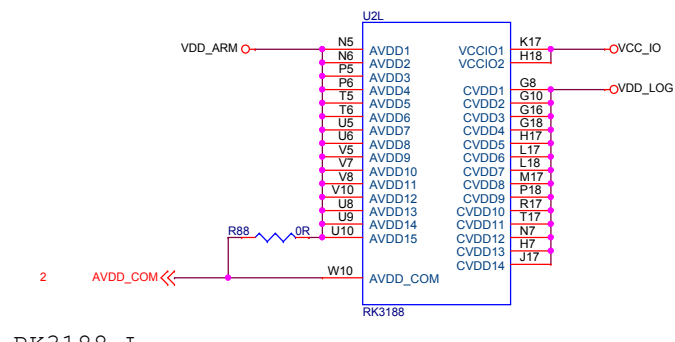
Title		
Menory&WiFi		
Size	Document Number	Rev
A3	RADXA ROCK	0.1
Date:	Friday, August 23, 2013	Sheet 5 of 9



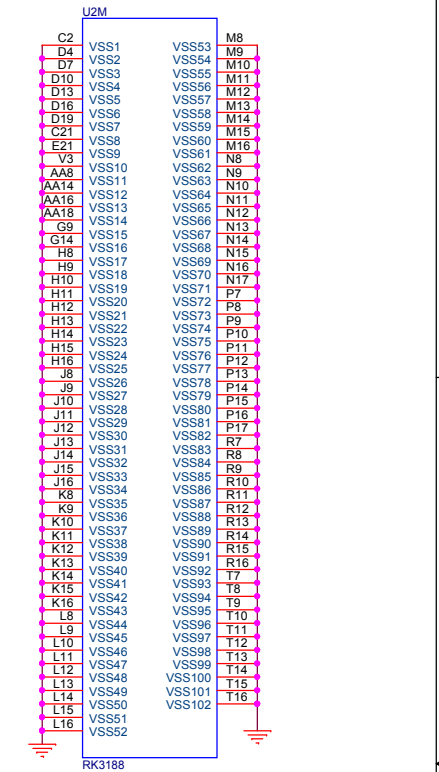
RK3188_J



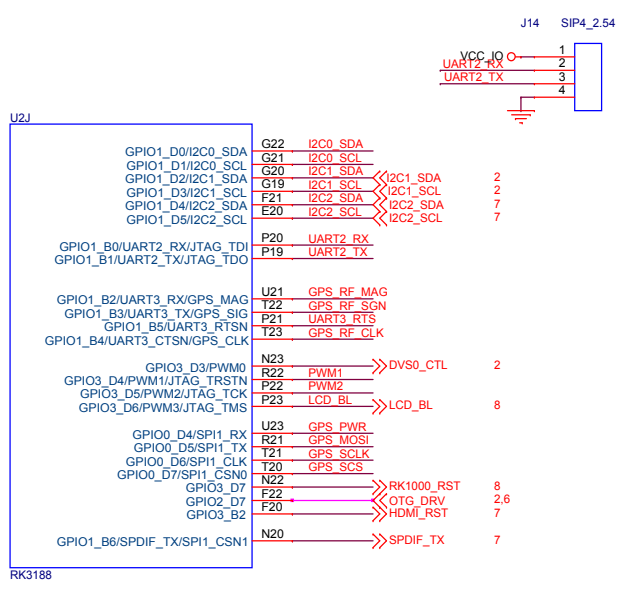
RK3188_F



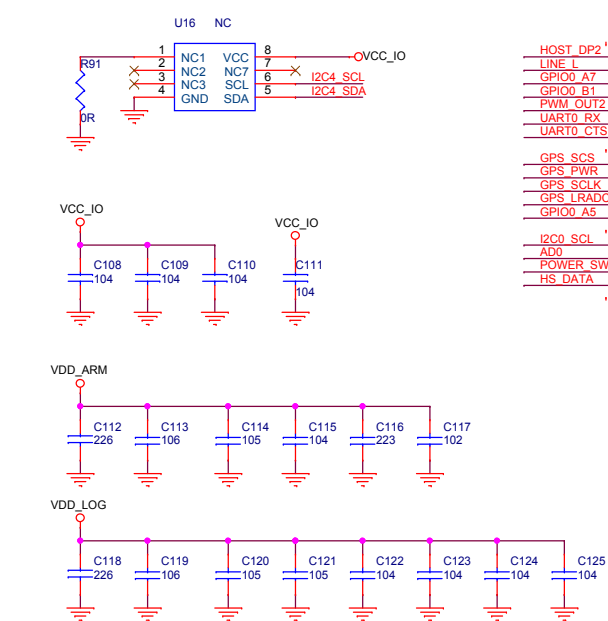
RK3188_L



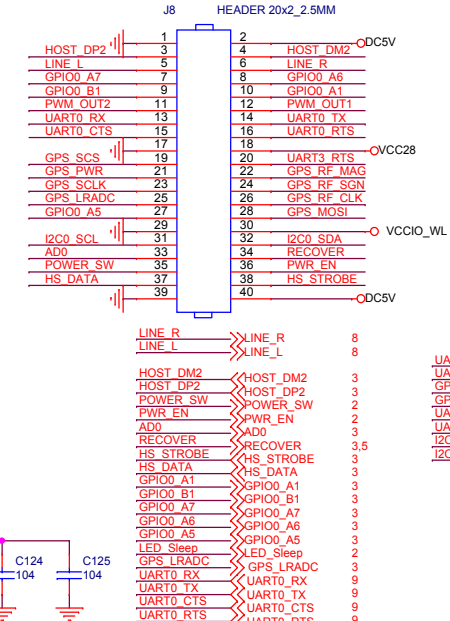
RK3188_M



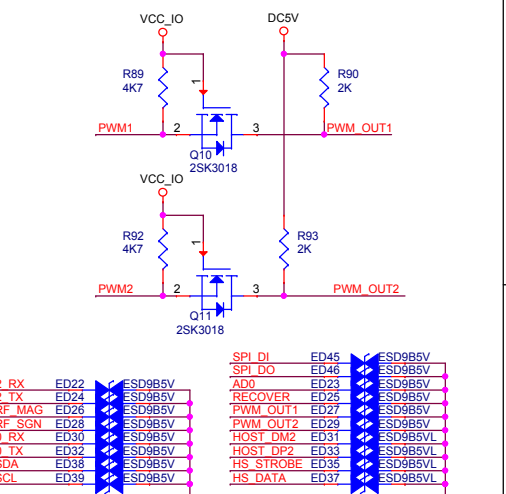
RK3188_J



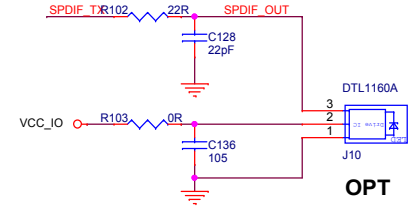
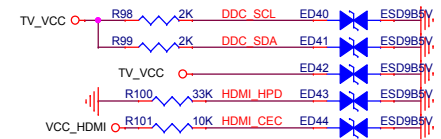
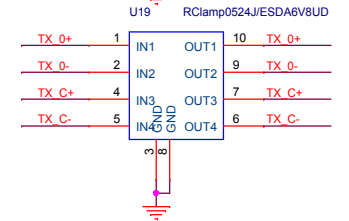
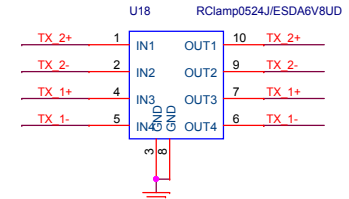
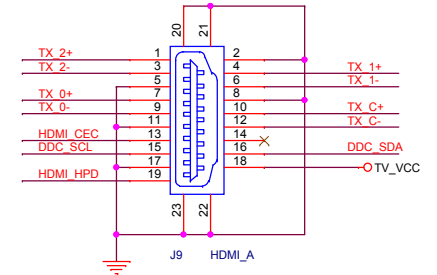
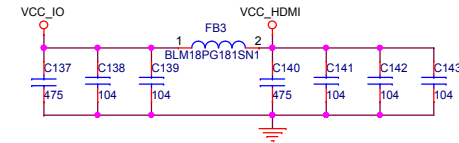
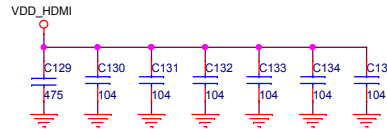
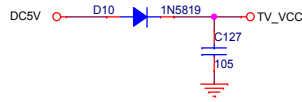
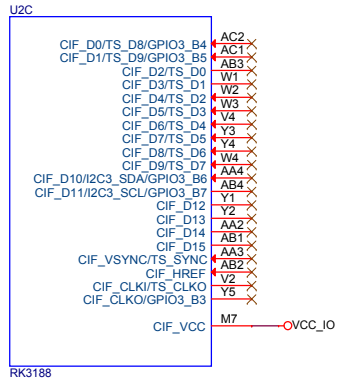
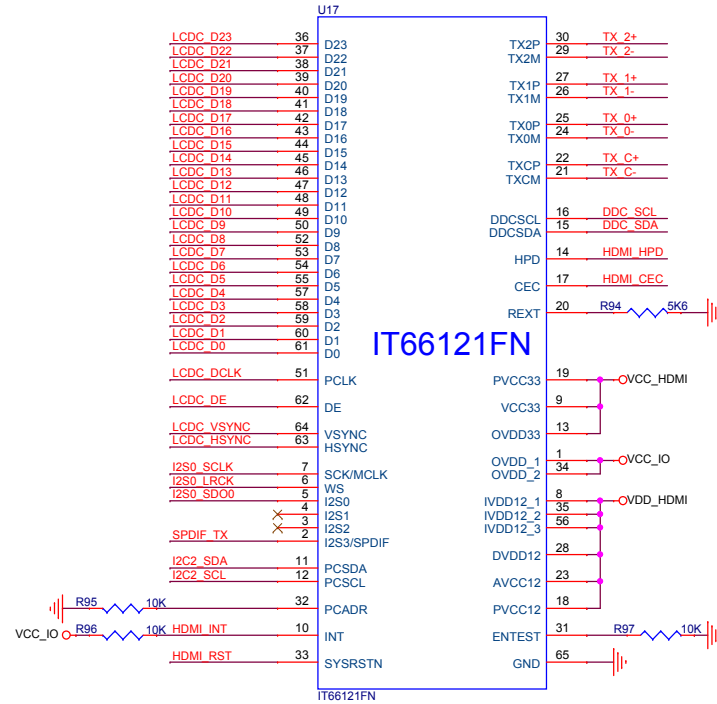
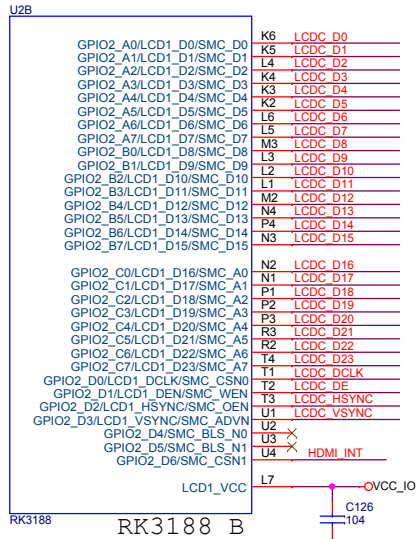
RK3188_L



RK3188_M

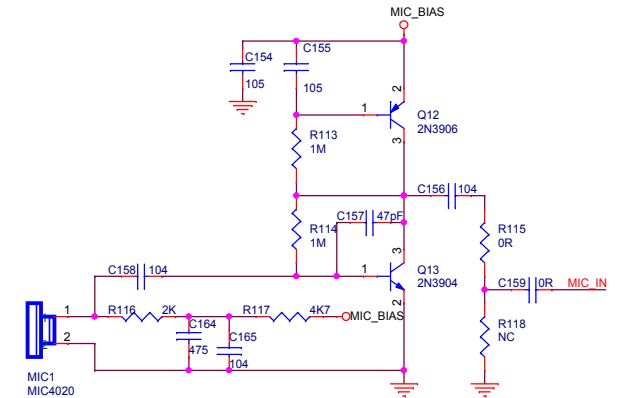
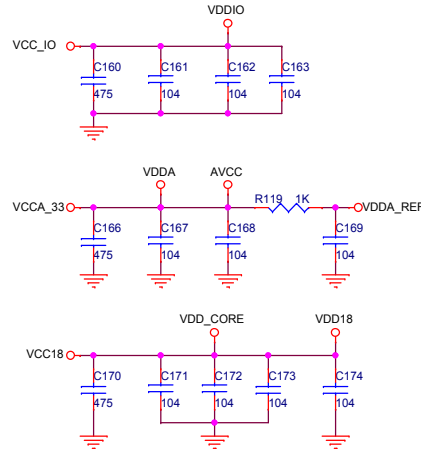
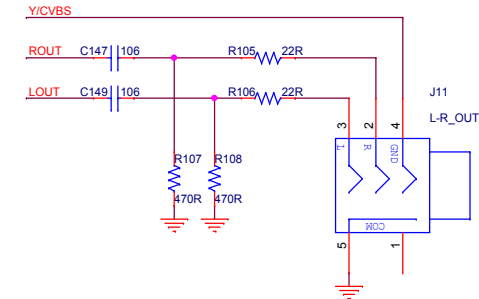
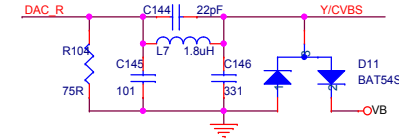
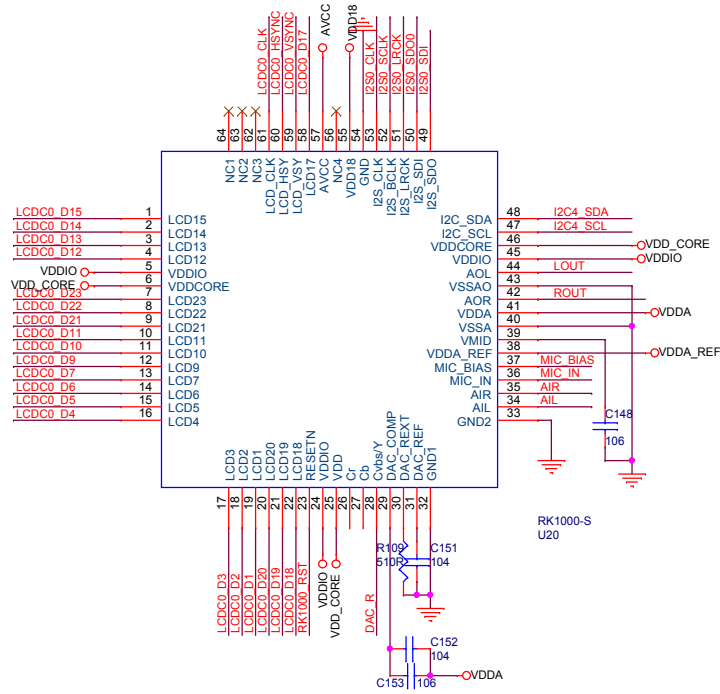
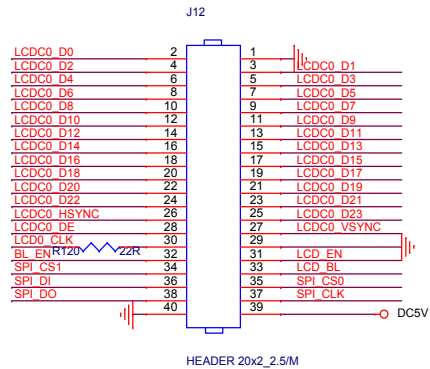
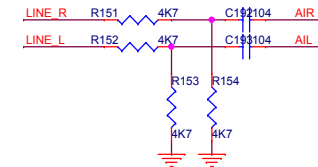
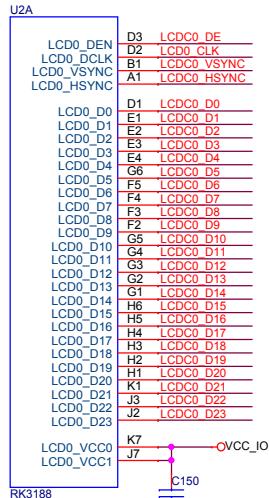


Title GPIO			
Size A3	Document Number RADXA ROCK		Rev 0.1
Date: Friday, August 30, 2013	Sheet 6	of	9



SPDIF_TX	SPDIF_TX	6
HDMI_RST	HDMI_RST	6
I2C2_SCL	I2C2_SCL	6
I2C2_SDA	I2C2_SDA	6
I2S0_LRCK	I2S0_LRCK	8
I2S0_SCLK	I2S0_SCLK	6,8
I2S0_SDO0	I2S0_SDO0	6,8

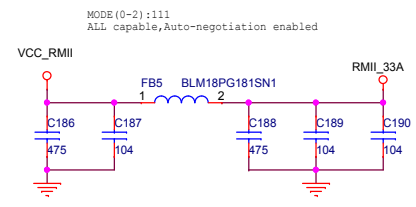
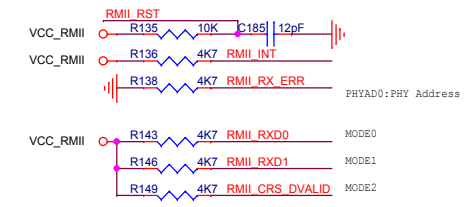
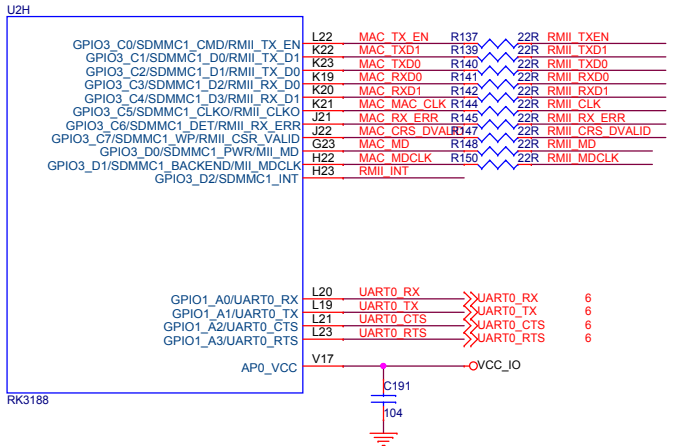
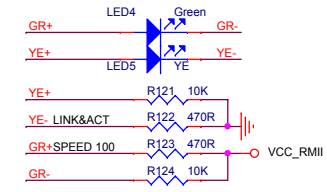
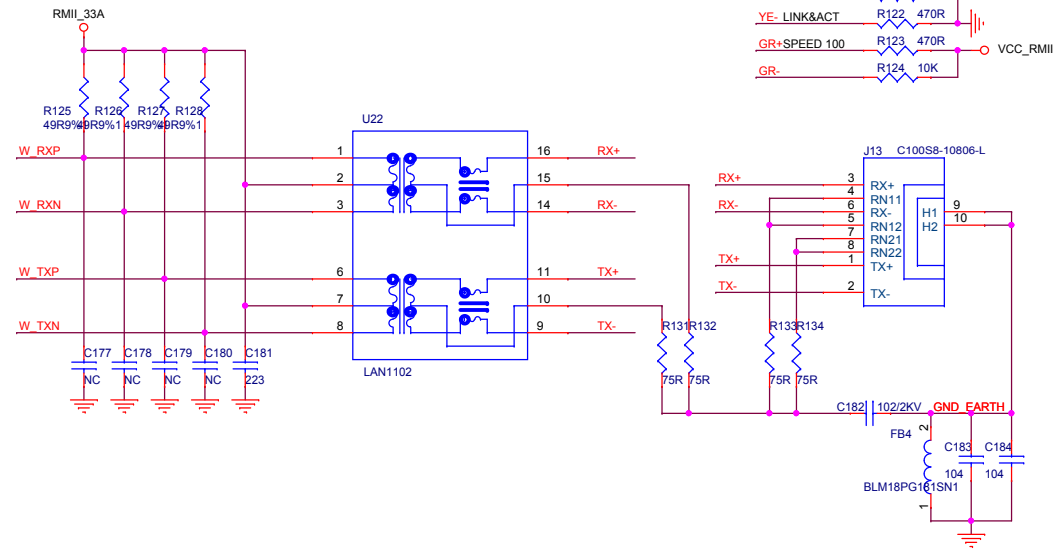
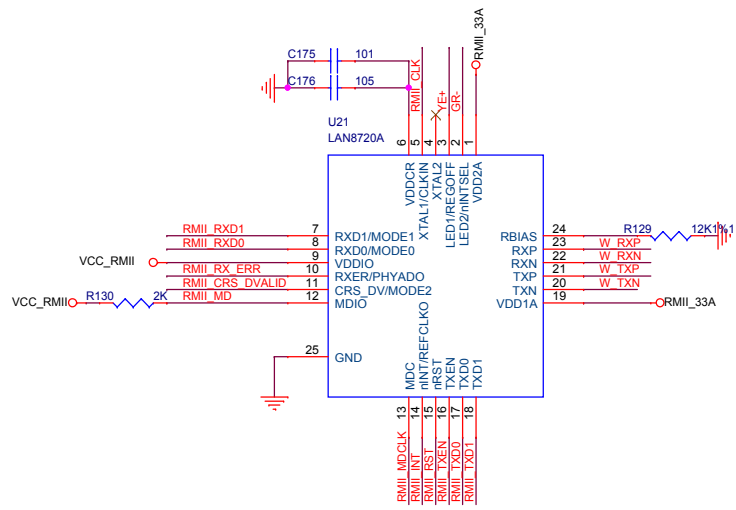
Title HDMI		
Size A3	Document Number RADXA ROCK	Rev 0.1
Date: Friday, August 23, 2013	Sheet 7	of 9



LINE_R	LINE_R	6
LINE_L	LINE_L	6
RK1000_RST	RK1000_RST	6
I2C4_SDA	I2C4_SDA	6
I2C4_SCL	I2C4_SCL	6
I2S0_CLK	I2S0_CLK	6
I2S0_SDI	I2S0_SDI	6
I2S0_SDO0	I2S0_SDO0	6.7
I2S0_SCLK	I2S0_SCLK	6.7
I2S0_LRCK_RX	I2S0_LRCK_RX	6
I2S0_LRCK_TX	I2S0_LRCK_TX	6
I2S0_LRCK	I2S0_LRCK	7

LCD_BL	LCD_BL	6
LCD_EN	LCD_EN	3
BL_EN	BL_EN	3
SPI_DI	SPI_DI	6
SPI_DO	SPI_DO	6
SPI_CLK	SPI_CLK	6
SPI_CS0	SPI_CS0	6
SPI_CS1	SPI_CS1	6

Title		
AV OUT		
Size	Document Number	Rev
A3	RADXA ROCK	0.1
Date:	Friday, August 23, 2013	Sheet 8 of 9



Title		
RMII		
Size	Document Number	Rev
A3	RADXA ROCK	0.1
Date:	Friday, August 30, 2013	Sheet 9 of 9