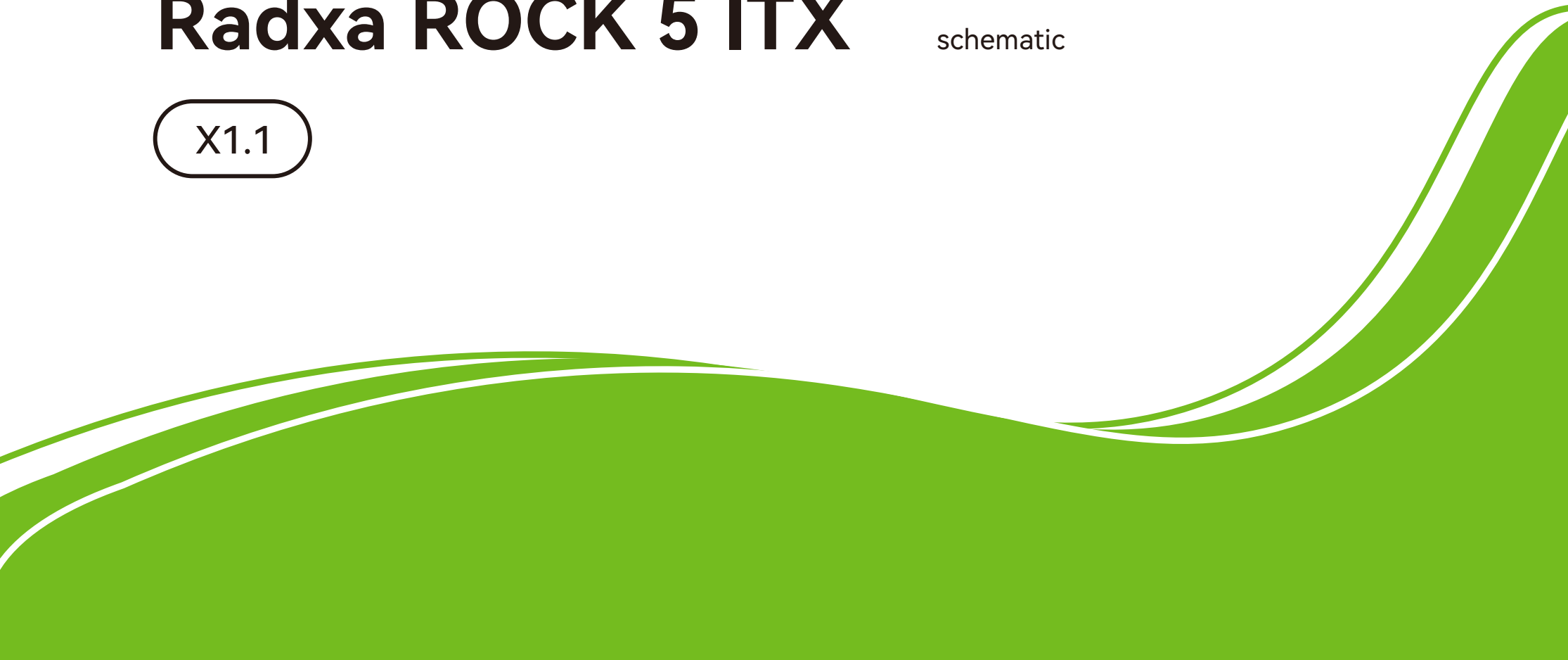




Radxa ROCK 5 ITX

schematic

X1.1

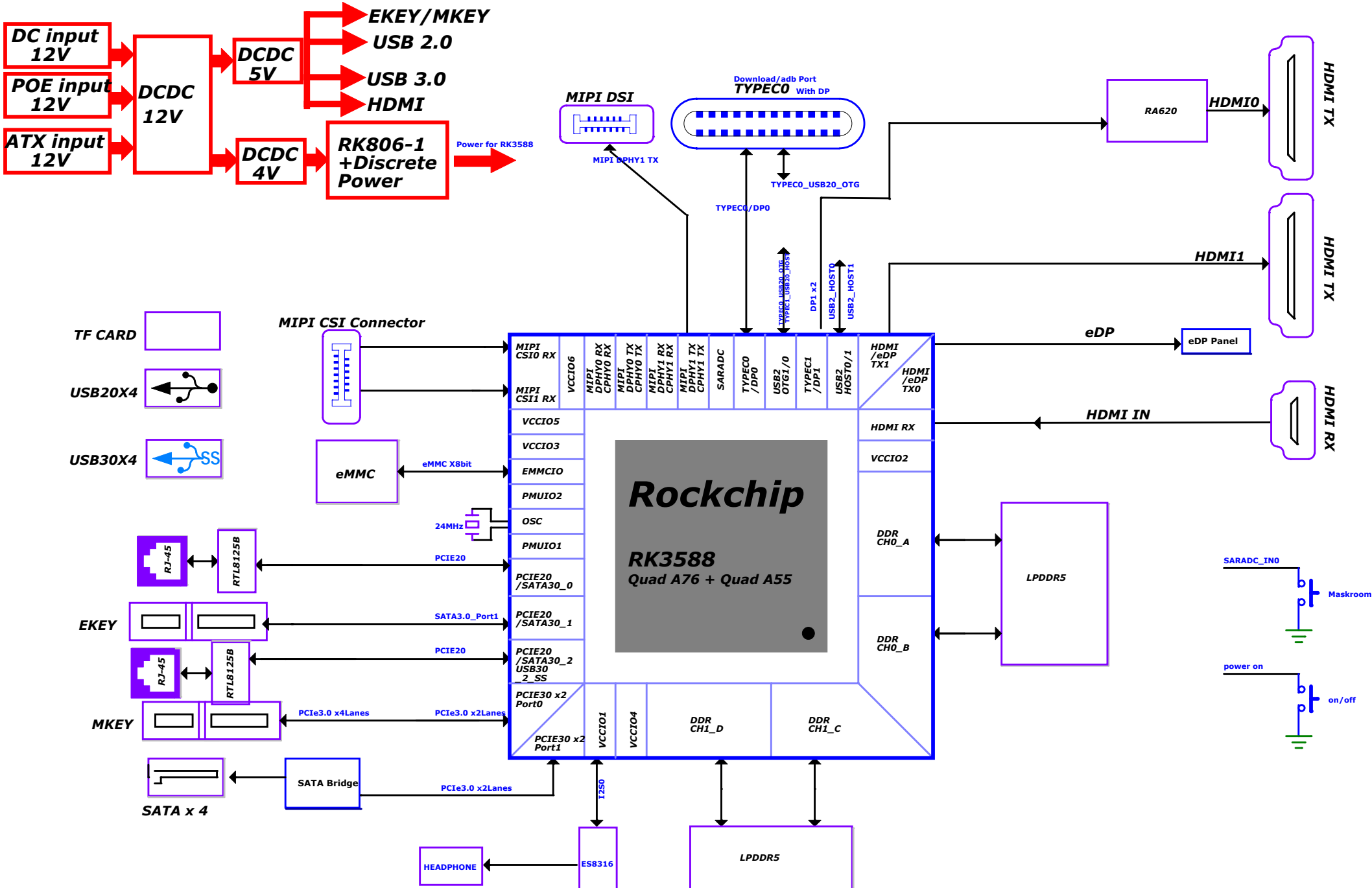


Index

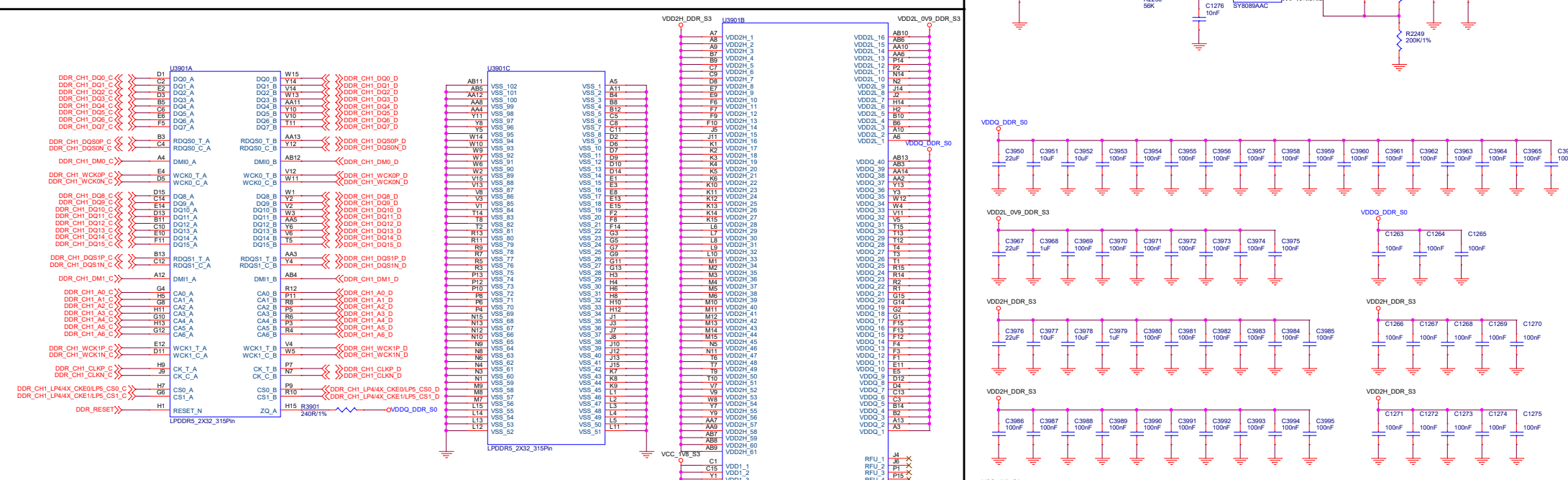
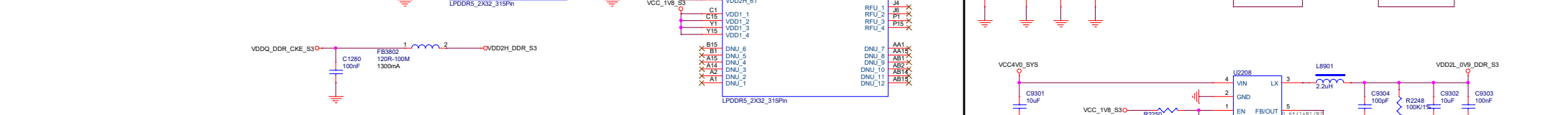
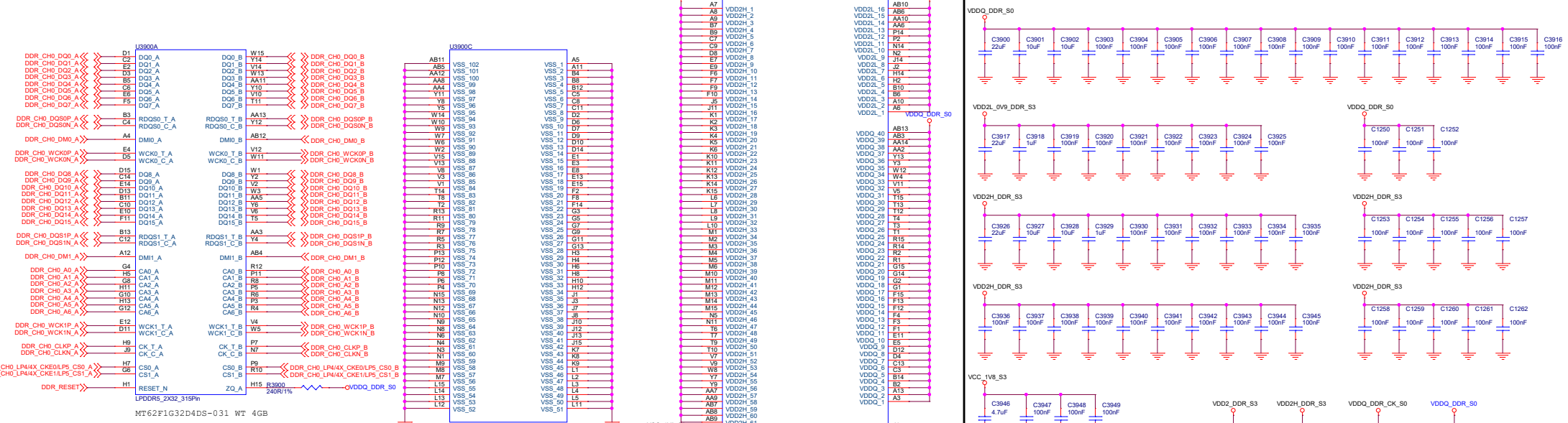
Page 1	01.Cover
Page 2	02.Index
Page 3	03.Block
Page 4	04.LPDDR5
Page 5	05.RK3588_Power/GND
Page 6	06.RK3588_OSC/PLL/PMUIO
Page 7	07.RK3588_DDR Controler
Page 8	08.RK3588_Flash/SD Controller
Page 9	09.RK3588_USB30/USB20_Ctrl
Page 10	10.RK3588_SARADC/1.8V Only GPIO
Page 11	11.RK3588_MIPI Interface
Page 12	12.RK3588_HDMI/eDP Interface
Page 13	13.RK3588_PCIE30/PCIE20/SATA30
Page 14	14.RK3588_1.8V/ 3.3V GPIO
Page 15	15.Power_DC IN
Page 16	16.Audio Codec
Page 17	17.Power-PMIC_RK806-1
Page 18	18.Power_Ext Discrete
Page 19	19.eMMC Flash
Page 20	20.MicroSD_Card
Page 21	21.Type-C
Page 22	22.Camera
Page 23	23.LCM
Page 24	24.POE_ATXPWR_RTC
Page 25	25.USB30_HUB
Page 26	26.USB30x2+HDMI
Page 27	27.USB20_HUB
Page 28	28_USB20x2
Page 29	29.DP to HDMI
Page 30	30.USB30x2+HDMI
Page 31	31.HDMI_RX
Page 32	32.PCIE TO RJ45_RTL8125B_1
Page 33	33.PCIE TO RJ45_RTL8125B_2
Page 34	34_PCIE-PCIE20_Slot-Ekey
Page 35	35_PCIE-PCIE20_Slot-Mkey
Page 36	36_eDP_TX
Page 37	37_PCIE_X2 ASM1164
Page 38	38_FAN_LED_KEY

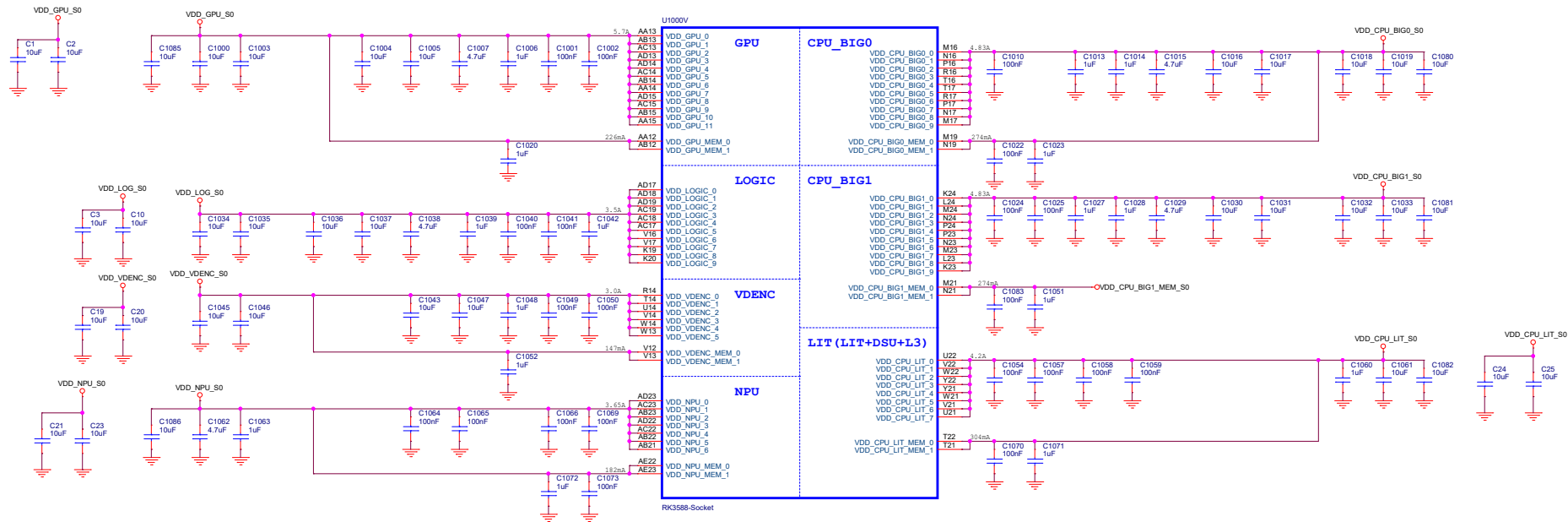


Size	Title: ROCK 5 ITX	REV
A3	Page Name: 02.INDEX	X1.1
Date: Friday, January 05, 2024	Sheet 02 of 38	



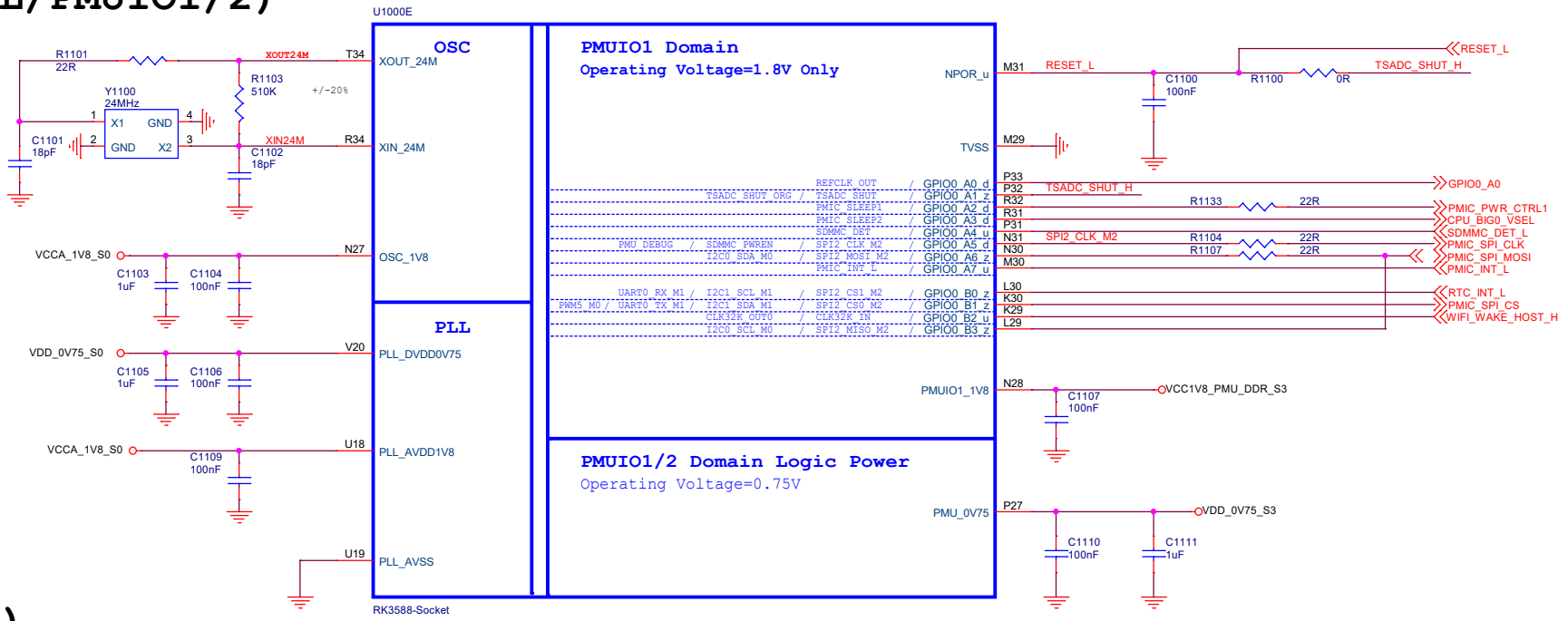
LPDDR5



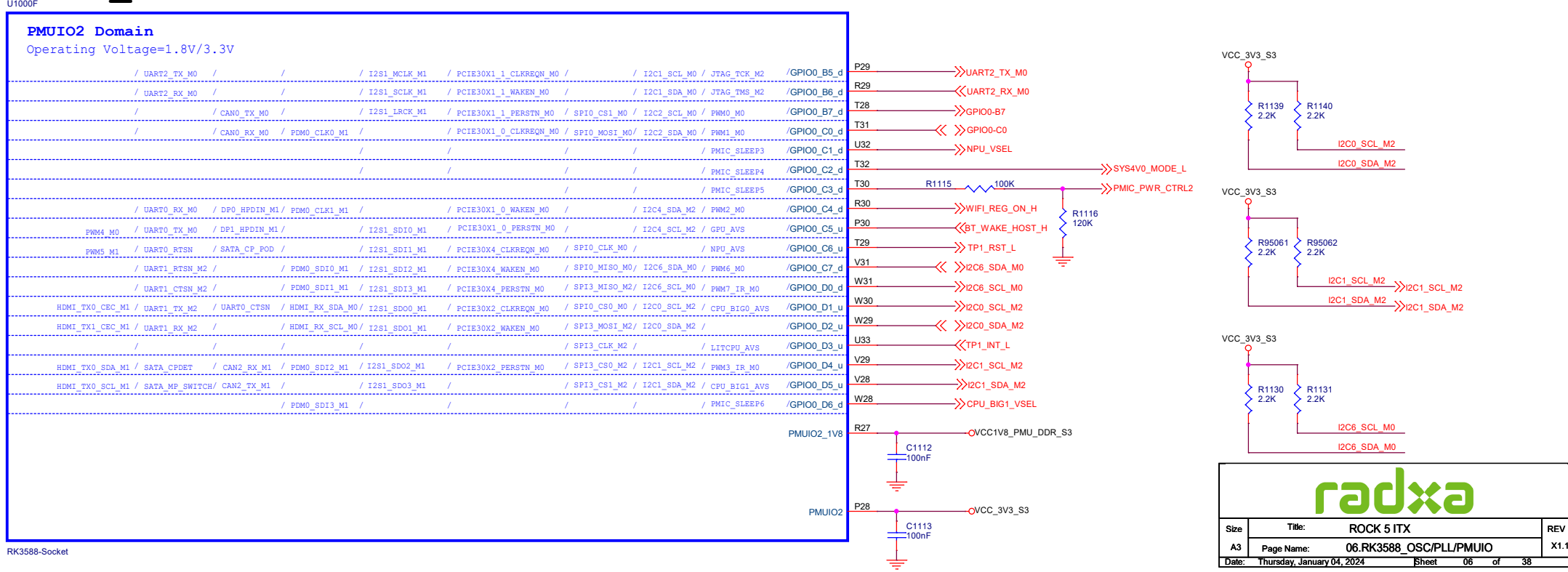


U10002		U1000X		U1000W		U1000Y	
H28 AVSS_1	AH15	L3 VSS_107	R19 VSS_160	A1 VSS_1	F15 VSS_54	W3 VSS_213	AB18 VSS_266
H27 AVSS_2	AH16	L8 VSS_108	R21 VSS_161	A14 VSS_2	F19 VSS_55	W7 VSS_214	AB20 VSS_267
J28 AVSS_3	AH17	L18 VSS_109	R22 VSS_162	A34 VSS_3	F20 VSS_56	W9 VSS_215	AB24 VSS_268
J29 AVSS_4	AH18	L20 VSS_110	R23 VSS_163	B1 VSS_4	F21 VSS_57	W10 VSS_216	AB27 VSS_269
J32 AVSS_5	AH19	L21 VSS_111	R24 VSS_164	B10 VSS_5	F22 VSS_58	W11 VSS_217	AB29 VSS_270
K26 AVSS_6	AH20	L22 VSS_112	R25 VSS_165	B21 VSS_6	F23 VSS_59	W12 VSS_218	AB32 VSS_271
K28 AVSS_7	AH21	L25 VSS_113	R26 VSS_166	B27 VSS_7	F24 VSS_60	W15 VSS_219	AC3 VSS_272
K32 AVSS_8	AH22	L26 VSS_114	R28 VSS_168	B31 VSS_8	F25 VSS_61	W16 VSS_220	AC4 VSS_273
K31 AVSS_9	AH23	M2 VSS_115	R28 VSS_168	B33 VSS_9	G3 VSS_62	W16 VSS_221	AC5 VSS_274
L26 AVSS_10	AH24	M9 VSS_116	R3 VSS_169	C4 VSS_10	G10 VSS_63	W17 VSS_222	AC11 VSS_275
L31 AVSS_11	AH25	M14 VSS_117	R16 VSS_170	C5 VSS_11	G15 VSS_64	W17 VSS_223	AC16 VSS_276
M26 AVSS_12	AH26	M15 VSS_118	R19 VSS_171	C8 VSS_12	G19 VSS_65	W20 VSS_224	AC20 VSS_277
M32 AVSS_13	AH27	M18 VSS_119	R11 VSS_172	C7 VSS_13	G22 VSS_66	W23 VSS_225	AC21 VSS_278
A48 AVSS_14	AH28	M20 VSS_120	R13 VSS_173	C9 VSS_14	G22 VSS_66	W24 VSS_226	AC24 VSS_279
AA10 AVSS_15	AH29	M22 VSS_121	R15 VSS_174	C9 VSS_15	G25 VSS_68	W27 VSS_227	AC27 VSS_280
AB6 AVSS_16	AH30	M25 VSS_122	R18 VSS_175	C10 VSS_16	G32 VSS_69	Y3 VSS_228	AD00 VSS_281
AB7 AVSS_17	AH31	N3 VSS_123	R19 VSS_176	C11 VSS_17	H3 VSS_70	V5 VSS_229	AD12 VSS_282
AB8 AVSS_18	AH32	N6 VSS_124	R21 VSS_177	C12 VSS_18	H6 VSS_71	V6 VSS_230	AD16 VSS_283
AB10 AVSS_19	AH33	N5 VSS_125	R23 VSS_178	C13 VSS_19	H7 VSS_72	V6 VSS_231	AD17 VSS_284
AC5 AVSS_20	AH34	N6 VSS_126	R24 VSS_179	C14 VSS_20	H7 VSS_73	V9 VSS_232	AD21 VSS_285
AC8 AVSS_21	AH35	N14 VSS_127	R25 VSS_180	C15 VSS_21	H8 VSS_74	V10 VSS_233	AD24 VSS_286
AD5 AVSS_22	AH36	N15 VSS_128	R26 VSS_181	C16 VSS_22	H9 VSS_75	V11 VSS_234	AD25 VSS_287
AD8 AVSS_23	AH37	N18 VSS_129	R27 VSS_182	C17 VSS_23	H2 VSS_76	V12 VSS_235	AD26 VSS_288
AD9 AVSS_24	AH38	N20 VSS_130	R27 VSS_182	C18 VSS_24	H25 VSS_77	V13 VSS_236	AD28 VSS_289
AD10 AVSS_25	AH39	N22 VSS_131	R3 VSS_183	C20 VSS_25	H26 VSS_78	V14 VSS_237	AD29 VSS_290
AE6 AVSS_26	AH40	N25 VSS_132	R33 VSS_184	C21 VSS_26	H27 VSS_79	V15 VSS_238	AD31 VSS_291
AE7 AVSS_27	AH41	N26 VSS_133	R33 VSS_184	C22 VSS_27	H28 VSS_80	V16 VSS_239	AD32 VSS_292
AE9 AVSS_28	AH42	N29 VSS_134	R10 VSS_185	C23 VSS_28	H29 VSS_81	V17 VSS_240	AD33 VSS_293
AF4 AVSS_29	AH43	P2 VSS_135	R16 VSS_186	C25 VSS_29	J8 VSS_82	V19 VSS_241	AD35 VSS_294
AF7 AVSS_30	AH44	P8 VSS_136	R17 VSS_187	C28 VSS_30	J10 VSS_83	V19 VSS_242	AD36 VSS_295
AF8 AVSS_31	AH45	P9 VSS_137	R20 VSS_188	C29 VSS_31	J11 VSS_84	V20 VSS_243	AD37 VSS_296
AF11 AVSS_32	AH46	P10 VSS_138	R21 VSS_189	C30 VSS_32	J12 VSS_85	V20 VSS_244	AD38 VSS_297
AF12 AVSS_33	AH47	P9 VSS_139	R22 VSS_190	D3 VSS_33	J13 VSS_86	V24 VSS_245	AD39 VSS_298
AF13 AVSS_34	AH48	P11 VSS_140	R23 VSS_191	D20 VSS_34	J14 VSS_87	V28 VSS_246	AD40 VSS_299
AF14 AVSS_35	AH49	P14 VSS_141	R24 VSS_192	D24 VSS_35	J15 VSS_88	V18 VSS_247	AE24 VSS_300
AF15 AVSS_36	AH50	P15 VSS_142	R25 VSS_193	D31 VSS_36	J16 VSS_89	V19 VSS_248	AE25 VSS_301
AF16 AVSS_37	AH51	P18 VSS_143	R26 VSS_194	D33 VSS_37	J17 VSS_90	V19 VSS_249	AE26 VSS_302
AF21 AVSS_38	AH52	P19 VSS_144	R27 VSS_195	E6 VSS_38	J19 VSS_91	AA17 VSS_250	AF24 VSS_303
AG3 AVSS_39	AH53	P20 VSS_145	R28 VSS_196	E8 VSS_39	J20 VSS_92	AA17 VSS_251	AF25 VSS_304
AG5 AVSS_40	AH54	P21 VSS_146	R29 VSS_197	E10 VSS_40	J21 VSS_93	AA18 VSS_252	AF27 VSS_305
AG7 AVSS_41	AH55	P22 VSS_147	R30 VSS_198	E15 VSS_41	J22 VSS_94	AA19 VSS_253	AF28 VSS_306
AG10 AVSS_42	AH56	P25 VSS_148	R31 VSS_199	E18 VSS_42	J23 VSS_95	AA20 VSS_254	AF29 VSS_307
AG12 AVSS_43	AH57	P26 VSS_149	R32 VSS_200	E22 VSS_43	J24 VSS_96	AA21 VSS_255	AF30 VSS_308
AG15 AVSS_44	AH58	P28 VSS_150	R33 VSS_201	E23 VSS_44	J25 VSS_97	AA22 VSS_256	AF31 VSS_309
AG18 AVSS_45	AH59	R3 VSS_151	R34 VSS_202	E32 VSS_45	J26 VSS_98	AA23 VSS_257	AF32 VSS_310
AG22 AVSS_46	AH60	R6 VSS_152	R35 VSS_203	F3 VSS_46	J27 VSS_99	AA24 VSS_258	AG30 VSS_311
AG23 AVSS_47	AH61	R6 VSS_153	R36 VSS_204	F7 VSS_47	J28 VSS_100	AA25 VSS_259	AG31 VSS_312
AG24 AVSS_48	AH62	R9 VSS_154	R37 VSS_205	F9 VSS_48	J29 VSS_101	AB3 VSS_260	AG32 VSS_313
AG25 AVSS_49	AH63	R11 VSS_155	R38 VSS_206	F10 VSS_49	J30 VSS_102	AB5 VSS_261	AG33 VSS_314
AG26 AVSS_50	AH64	R13 VSS_156	R39 VSS_207	F11 VSS_50	J31 VSS_103	AB11 VSS_262	AG34 VSS_315
AG27 AVSS_51	AH65	R15 VSS_157	R40 VSS_208	F13 VSS_51	J32 VSS_104	AB16 VSS_263	AG35 VSS_316
		R16 VSS_158	R41 VSS_209	F14 VSS_52	J33 VSS_105	AB17 VSS_264	AG36 VSS_317
		R18 VSS_159	R42 VSS_210	F15 VSS_53	J34 VSS_106	AB18 VSS_265	AG37 VSS_318

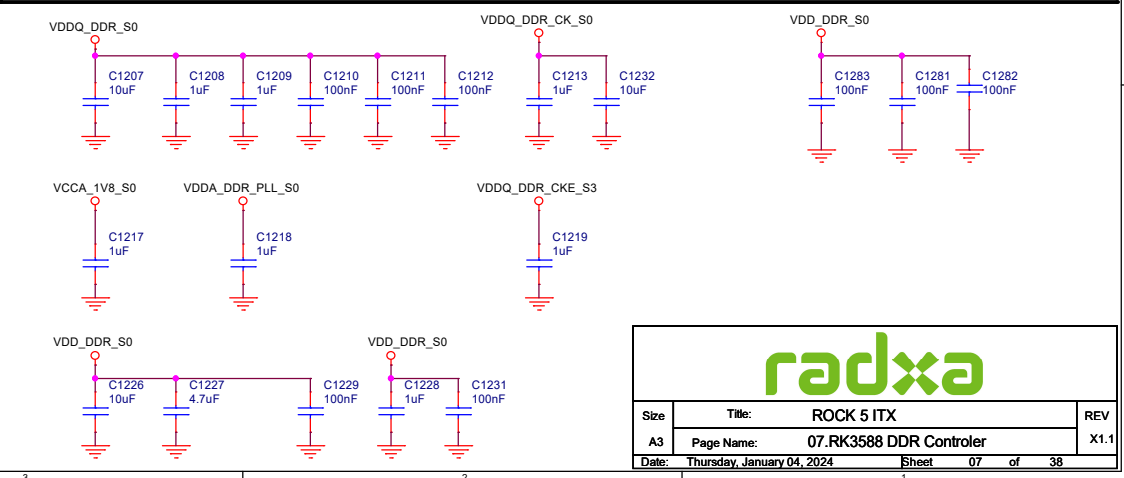
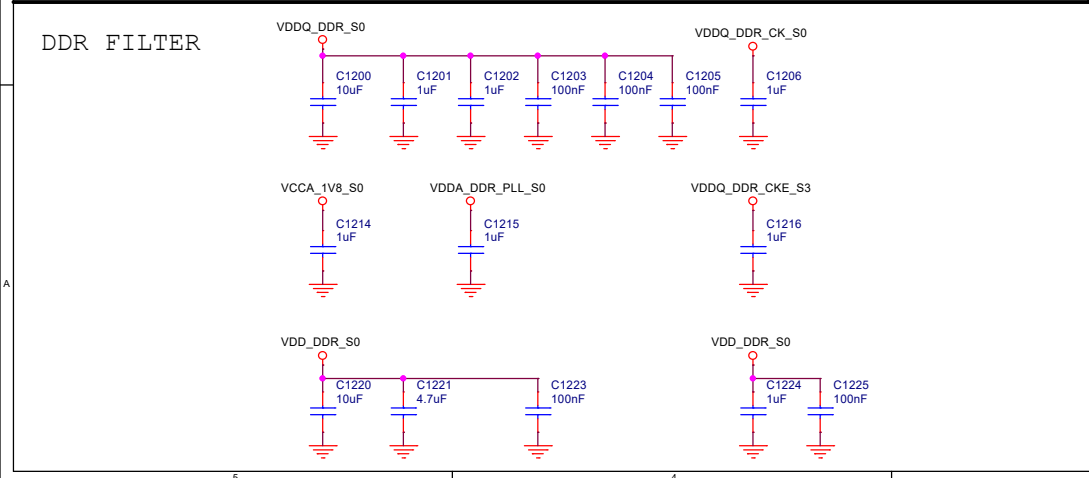
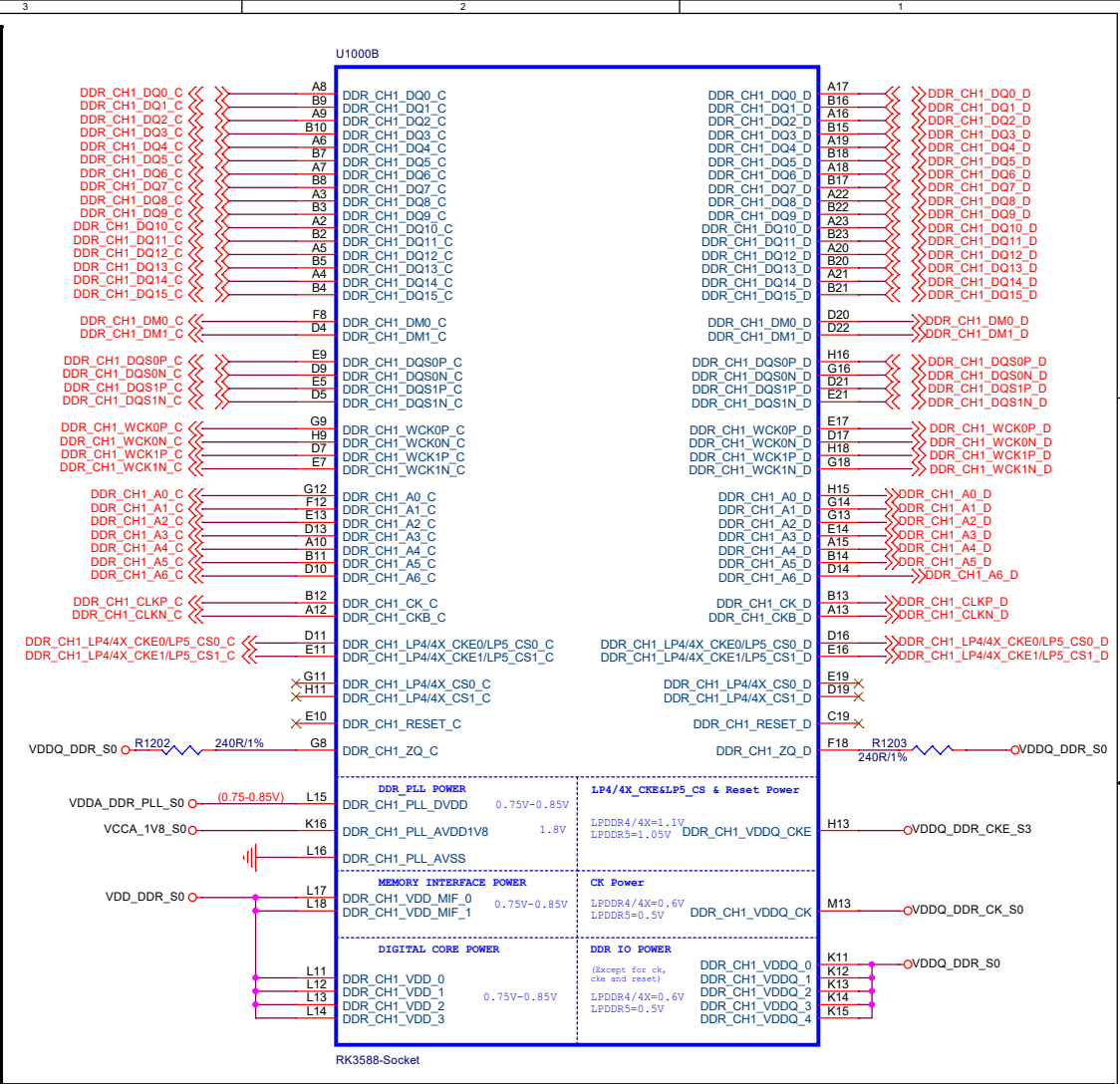
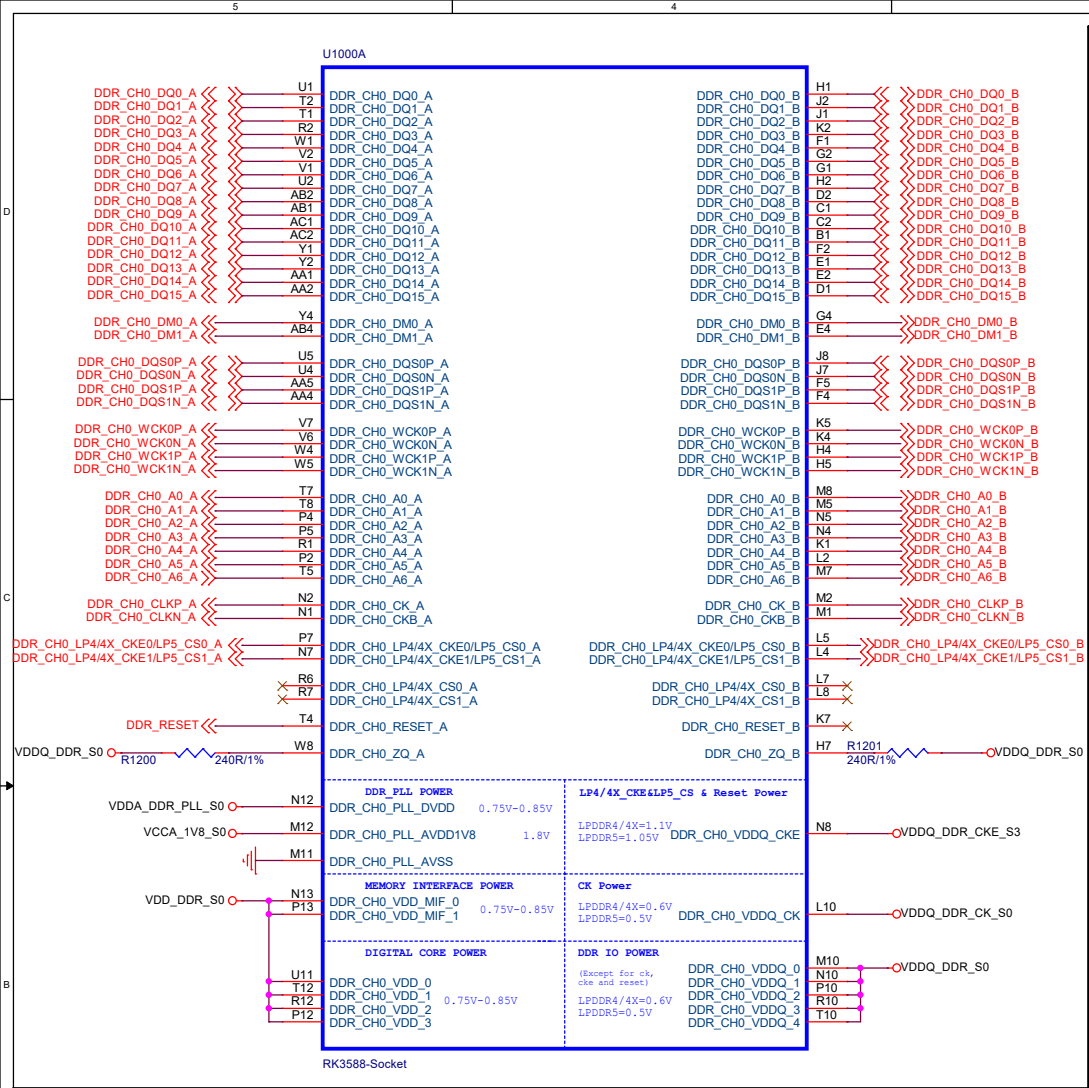
RK3588_E (OSC/PLL/PMUIO1/2)



RK3588_F (PMUIO2)



Size	Title: ROCK 5 ITX	REV
A3	Page Name: 06.RK3588_OSC/PLL/PMUIO	X1.1
Date: Thursday, January 04, 2024	Sheet 06 of 38	



radxa

Size	Title:	ROCK 5 ITX	REV
A3	Page Name:	07.RK3588 DDR Controller	X1.1
Date:	Thursday, January 04, 2024	Sheet	07 of 38

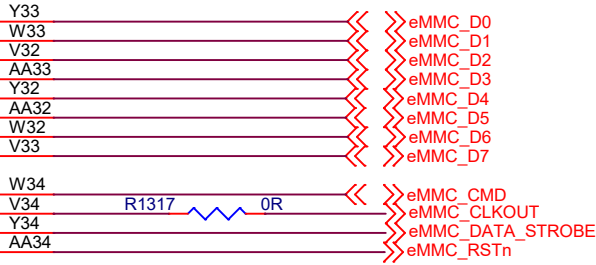
RK3588_C (EMMCIO Domain)

U1000C

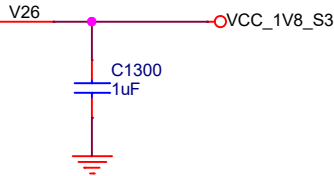
EMMCIO Domain

Operating Voltage=1.8V

FSPi D0 M0	/ EMMC D0	/ GPIO2 D0 u	
FSPi D1 M0	/ EMMC D1	/ GPIO2 D1 u	
FSPi D2 M0	/ EMMC D2	/ GPIO2 D2 u	
FSPi D3 M0	/ EMMC D3	/ GPIO2 D3 u	
UART5 RX M2	/ I2C1 SCL M3	/ EMMC D4	/ GPIO2 D4 u
UART5 TX M2	/ I2C1 SDA M3	/ EMMC D5	/ GPIO2 D5 u
FSPi CS0N M0	/ EMMC D6	/ GPIO2 D6 u	
FSPi CS1N M0	/ EMMC D7	/ GPIO2 D7 u	
FSPi CLK M0	/ EMMC CMD	/ GPIO2 A0 u	
	/ EMMC CLKOUT	/ GPIO2 A1 d	
UART5 CTSN M1	/ I2C2 SDA M2	/ EMMC DATA STROBE	/ GPIO2 A2 d
UART5 RTSN M1	/ I2C2 SCL M2	/ EMMC RSTN	/ GPIO2 A3 d



EMMCIO_1V8



RK3588-Socket

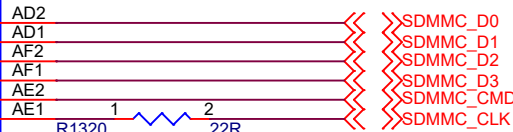
RK3588_D (VCCIO2 Domain)

U1000D

VCCIO2 Domain

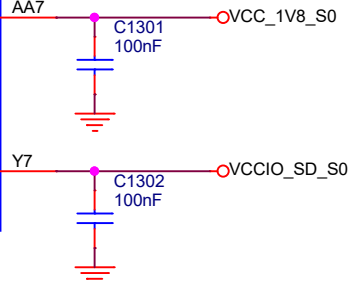
Operating Voltage=1.8V/3.3V

PWM8 M1	/ I2C3 SCL M4	/ PDM1 SDI3 M0	/ JTAG TCK M1	/ UART2 TX M1	/ SDMMC D0	/ GPIO4 D0 u
PWM9 M1	/ I2C3 SDA M4	/ PDM1 SDI2 M0	/ JTAG TMS M1	/ UART2 RX M1	/ SDMMC D1	/ GPIO4 D1 u
	/ I2C8 SCL M0	/ PDM1 SDI1 M0	/ JTAG TCK M0	/ UART5 CTSN M0	/ SDMMC D2	/ GPIO4 D2 u
PWM10 M1	/ I2C8 SDA M0	/ PDM1 SDIO M0	/ JTAG TMS M0	/ UART5 RTSN M0	/ SDMMC D3	/ GPIO4 D3 u
PWM7 IR M1	/ CAN0 TX M1	/ PDM1 CLK1 M0	/ MCU JTAG TCK M0	/ UART5 RX M0	/ SDMMC CMD	/ GPIO4 D4 u
TEST CLKOUT M0	/ CAN0 RX M1	/ PDM1 CLK0 M0	/ MCU JTAG TMS M0	/ UART5 TX M0	/ SDMMC CLK	/ GPIO4 D5 d



VCCIO2_1V8

VCCIO2



RK3588-Socket



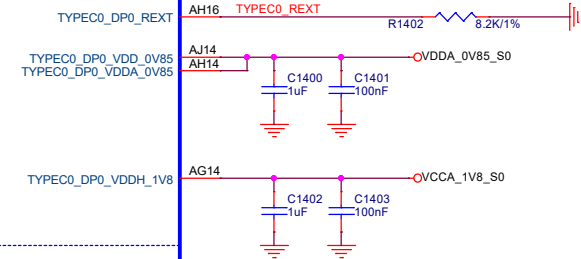
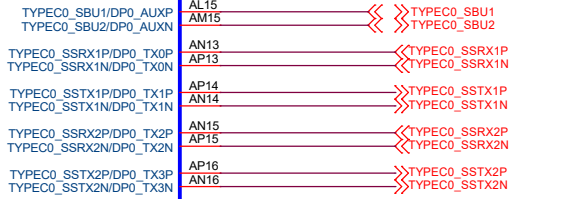
Size	Title: ROCK 5 ITX	REV
A4	Page Name: 08.RK3588_Flash/SD Controller	X1.1
Date: Thursday, January 04, 2024	Sheet 08 of 38	

RK3588_M (TYPE-C/DP)

U1000M

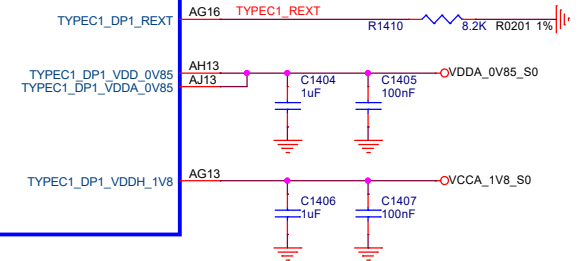
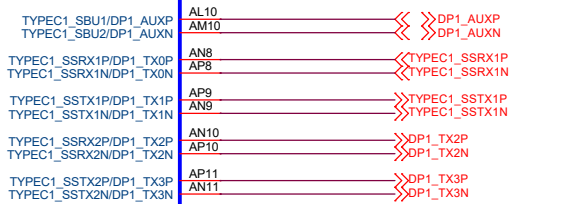
USB3.0 OTG/DP1.4 Alt of TYPEC0

USB:U3/Gen1---Controller0
DP:RBR/HBR/HBR2/HBR3



USB3.0 OTG/DP1.4 Alt of TYPEC1

USB:U3/Gen1---Controller1
DP:RBR/HBR/HBR2/HBR3



RK3588-Socket

RK3588_L (USB2.0 HOST/OTG)

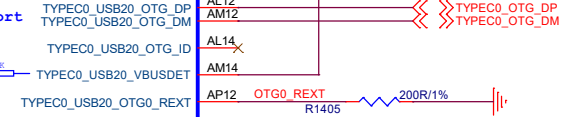
U1000L

USB2.0 of TYPEC0 (OTG/HOST/DEVICE)

HS/FS/LS

Download Port

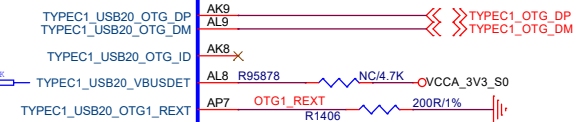
40K



USB2.0 of TYPEC1 (OTG/HOST/DEVICE)

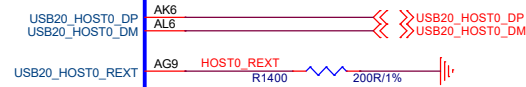
HS/FS/LS

40K



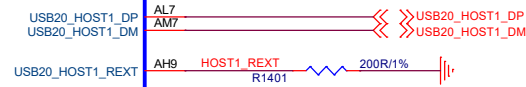
USB2.0 HOST0

HS/FS/LS

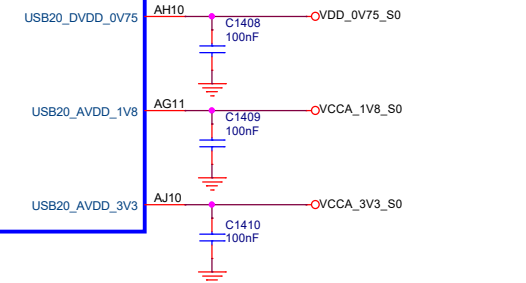


USB2.0 HOST1

HS/FS/LS



USB2.0 POWER

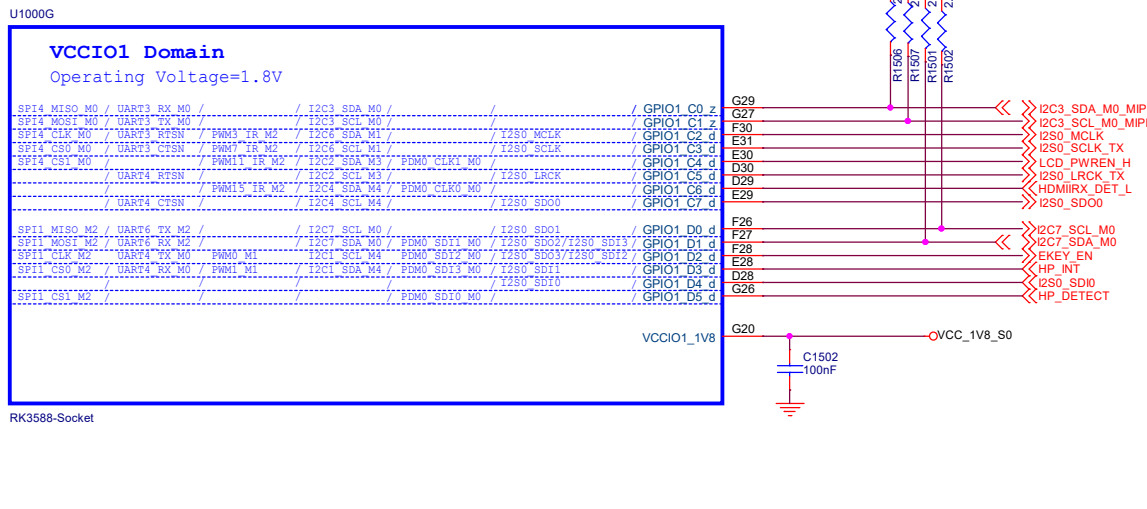


RK3588-Socket

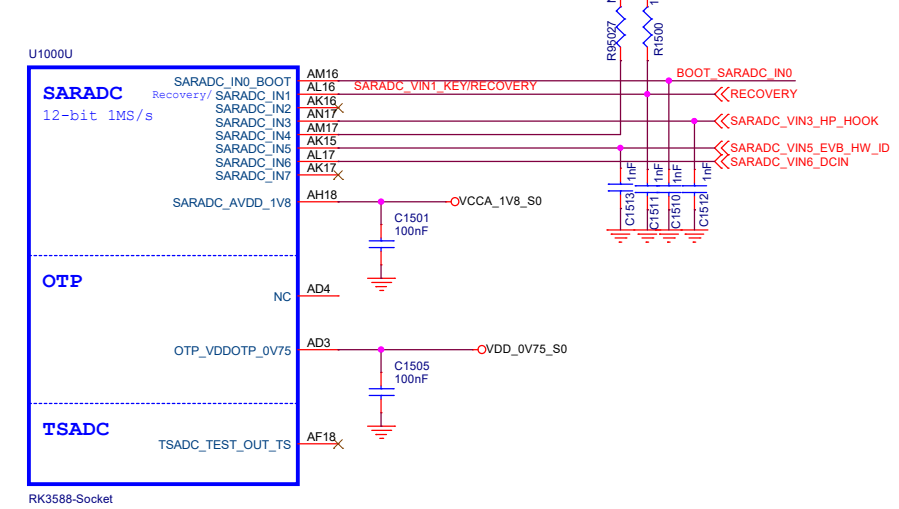


Size	Title: ROCK 5 ITX	REV
A3	Page Name: 09.RK3588_USB30/USB20_Ctrl	X1.1
Date: Thursday, January 04, 2024	Sheet 09 of 38	

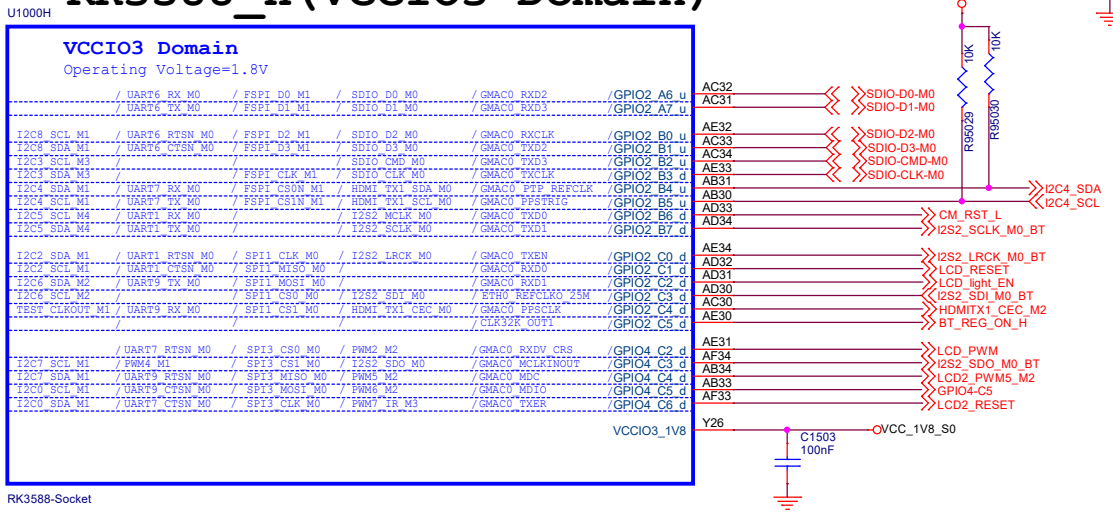
RK3588_G (VCCIO1 Domain)



RK3588_U (SARADC/OTP)



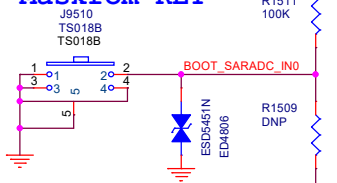
RK3588_H (VCCIO3 Domain)



BOOT MODE CONFIG TABLE 1

Item	Rup	Rdown	ADC	VOL	BOOT MODE
LEVEL1	DNP	100K	0	0V	USB (Maskrom mode)
LEVEL2	100K	20K	682	0.3V	SD Card-USB
LEVEL3	100K	51K	1365	0.6V	EMMC-USB
LEVEL4	100K	100K	2047	0.9V	FSPI M0-USB
LEVEL5	100K	200K	2730	1.2V	FSPI M1-USB
LEVEL6	100K	499K	3412	1.5V	FSPI M2-USB
LEVEL7	100K	DNP	4095	1.8V	FSPI_M2-FSPI_M1-FSPI_M0 -EMMC-SD Card-USB

Maskrom KEY



BOARD ID CONFIG TABLE 2

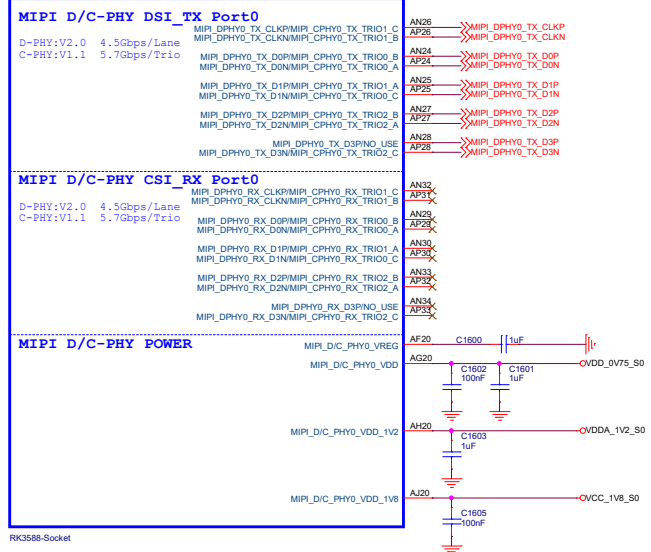
Item	Rup	Rdown	ADC	VOL	VERSION
LEVEL1	DNP	100K	0	0V	A
LEVEL2	100K	20K	682	0.3V	B
LEVEL3	100K	51K	1365	0.6V	C
LEVEL4	100K	100K	2047	0.9V	D
LEVEL5	100K	200K	2730	1.2V	E
LEVEL6	100K	499K	3412	1.5V	F
LEVEL7	100K	DNP	4095	1.8V	H

radxa

Size	Title:	ROCK 5 ITX	REV
A3	Page Name:	10.RK3588_SARADC/1.8V Only GPIO	X1.1
Date:	Thursday, January 04, 2024	Sheet	10 of 38

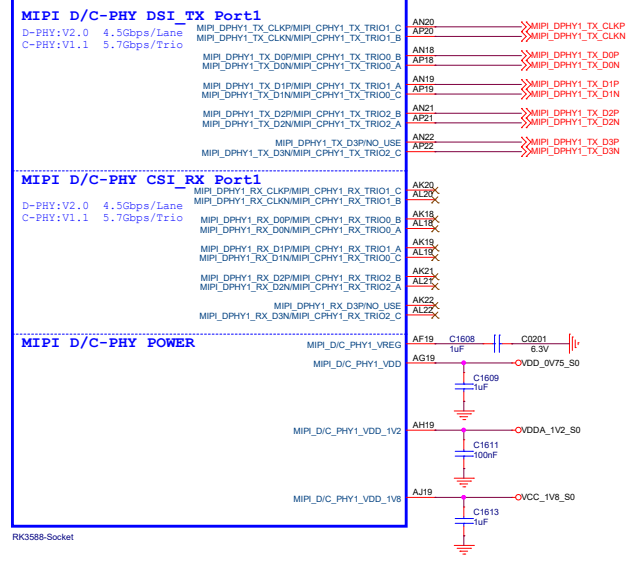
RK3588_Q/R(MIPI_D/C_PHY0/1)

U1000Q



RK3588-Socket

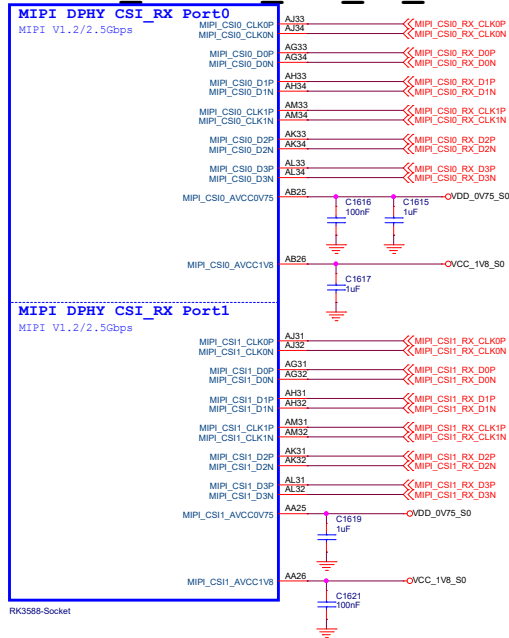
U1000R



RK3588-Socket

RK3588_P(MIPI CSI_RX_PHY)

U1000P



RK3588-Socket

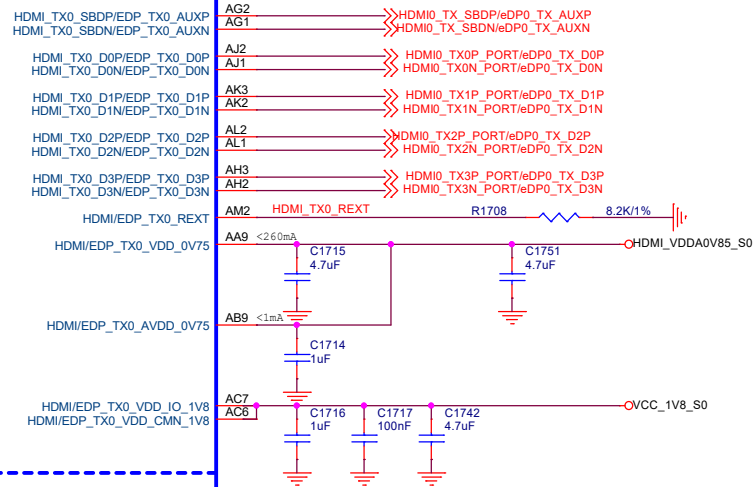


RK3588_S (HDMI2.1 TX)

U1000S

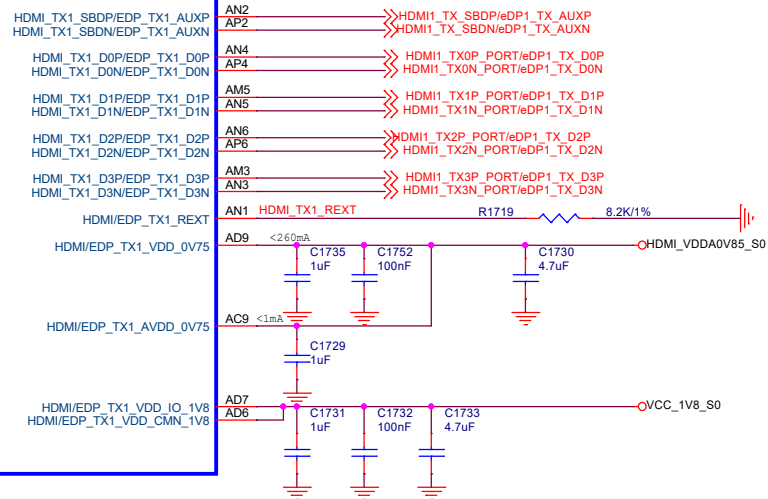
HDMI TX/eDP MUX Port0

HDMI: V2.1 12Gbps
eDP: V1.3 5.4Gbps



HDMI TX/eDP MUX Port1

HDMI: V2.1 12Gbps
eDP: V1.3 5.4Gbps



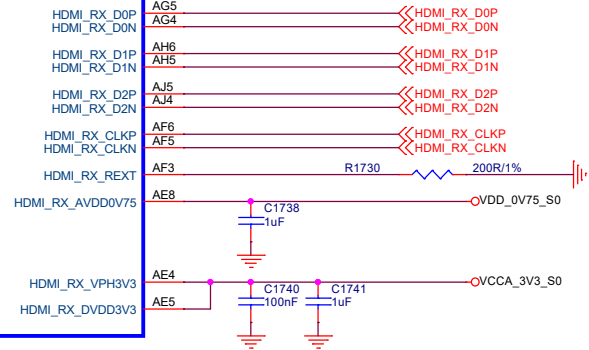
RK3588-Socket

RK3588_T (HDMI20 RX)

U1000T

HDMI RX

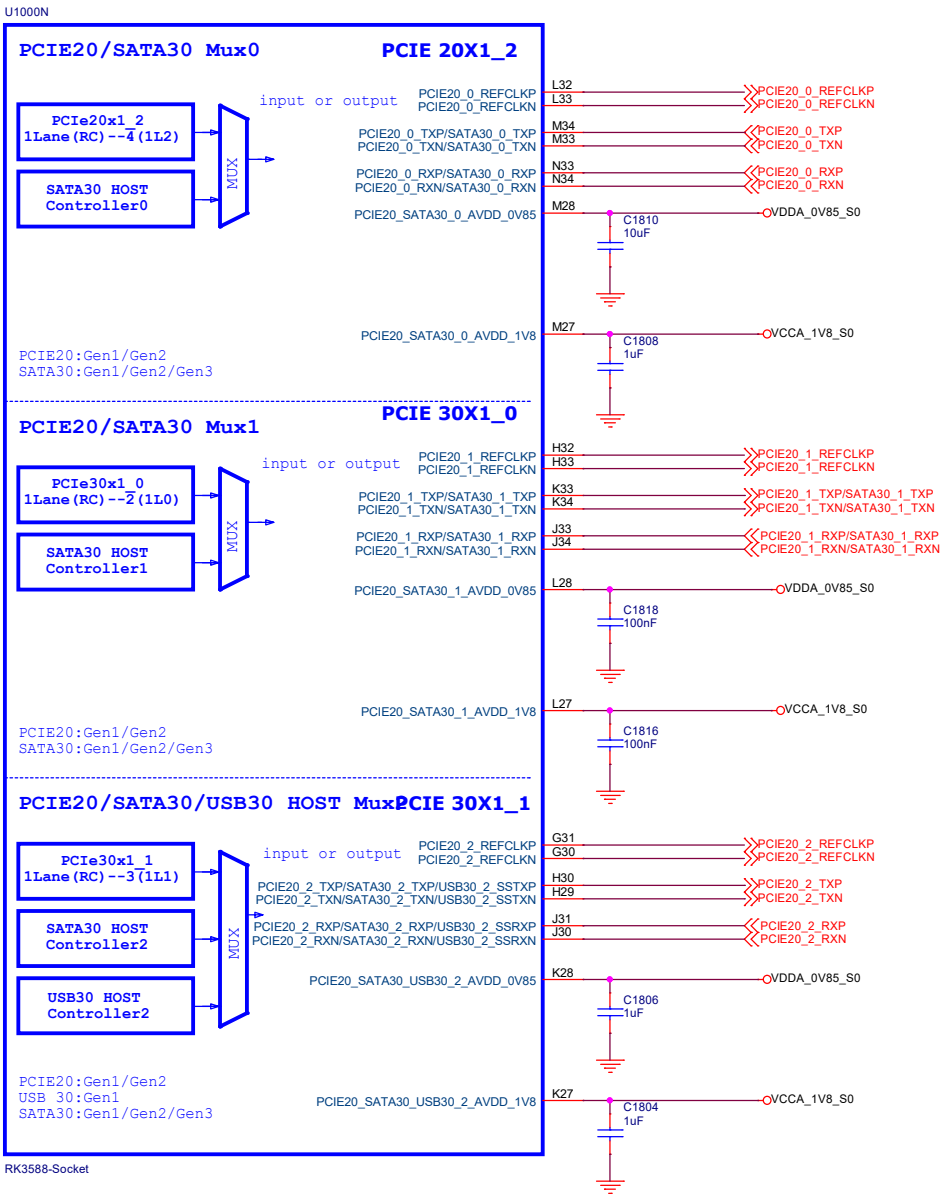
HDMI: V2.0



RK3588-Socket

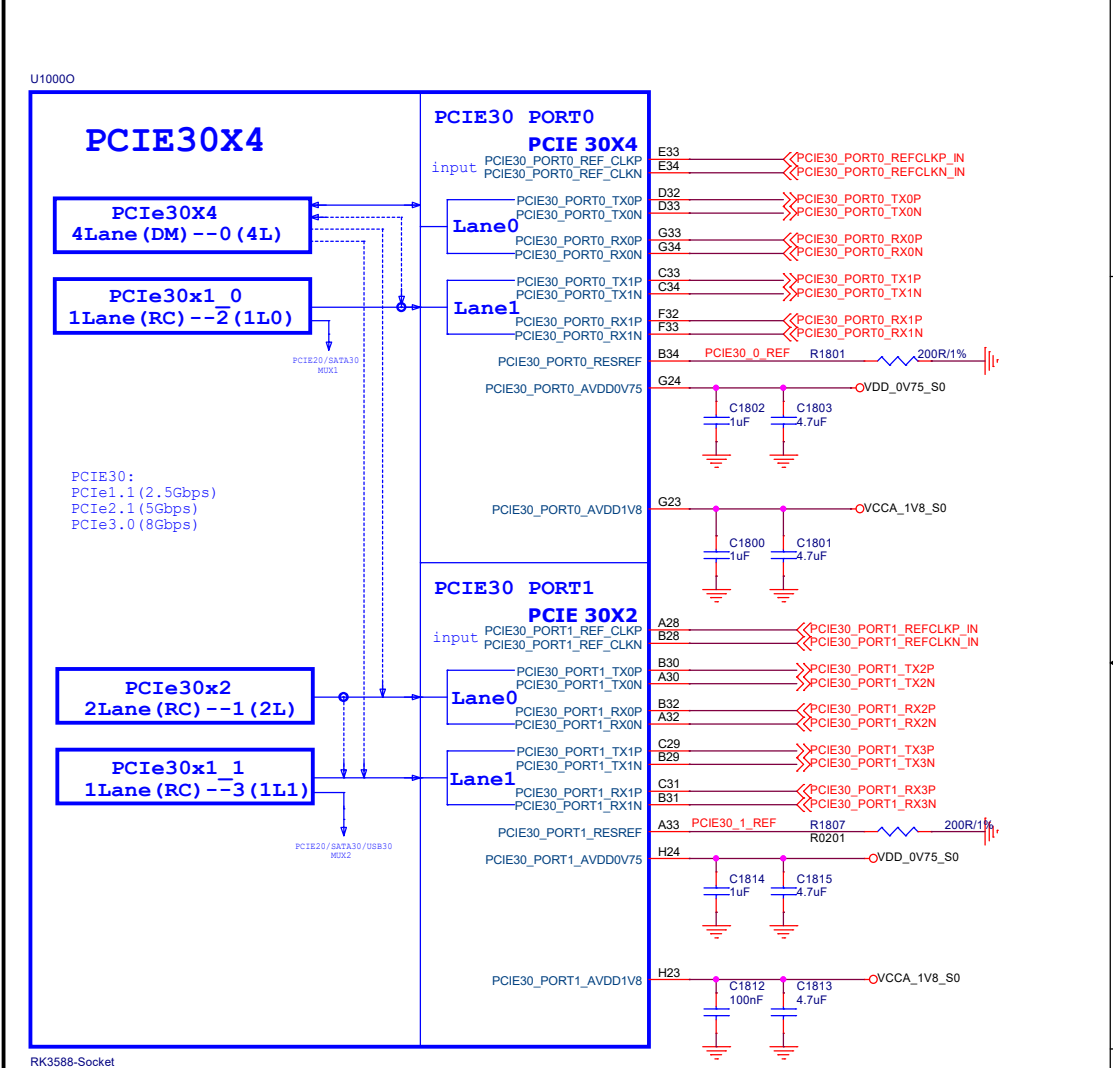


RK3588_N (PCIE20)



RK3588-Socket

RK3588_O (PCIE30)

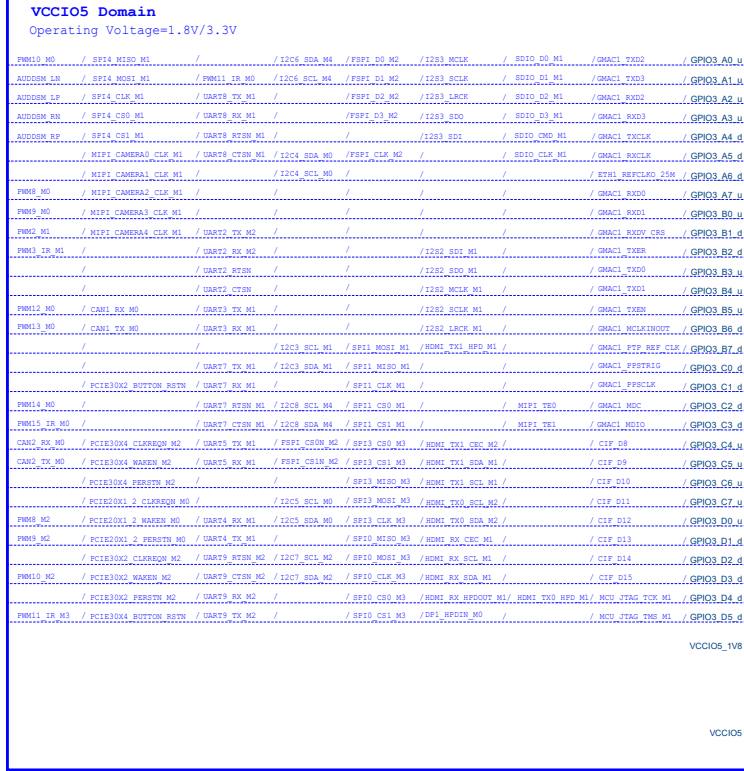


RK3588-Socket

Size	Title:	ROCK 5 ITX	REV
A3	Page Name:	13.RK3588_PCIE30/PCIE20/SATA30	X1.1
Date:	Thursday, January 04, 2024	Sheet	13 of 38

RK3588_J (VCCIO5 Domain)

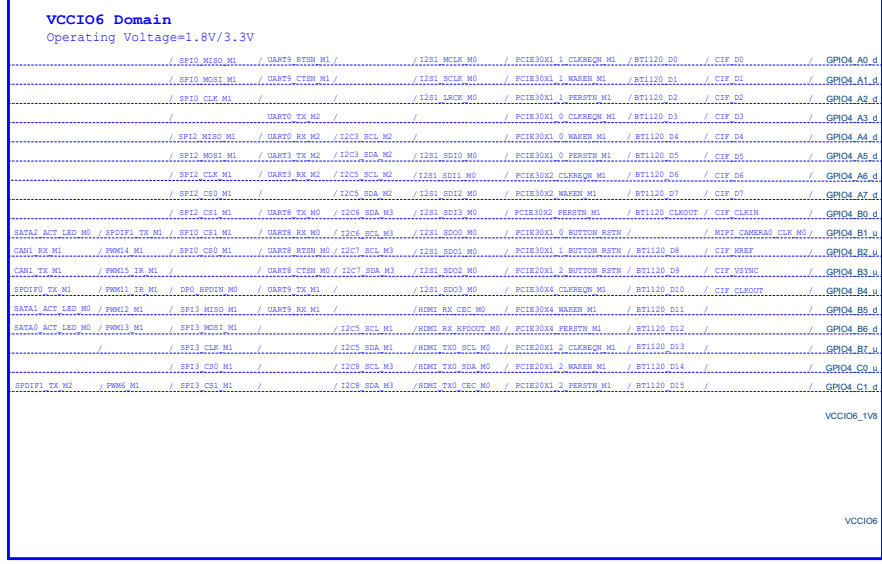
U1000J



RK3588-Socket

RK3588_K (VCCIO6 Domain)

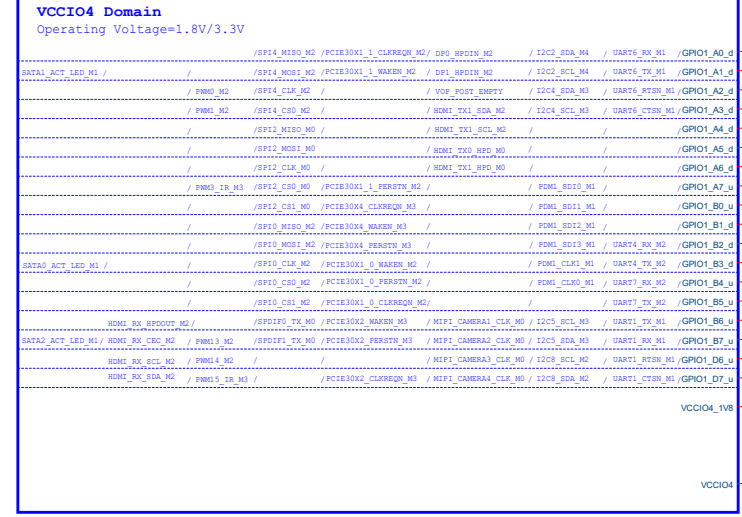
U1000K



RK3588-Socket

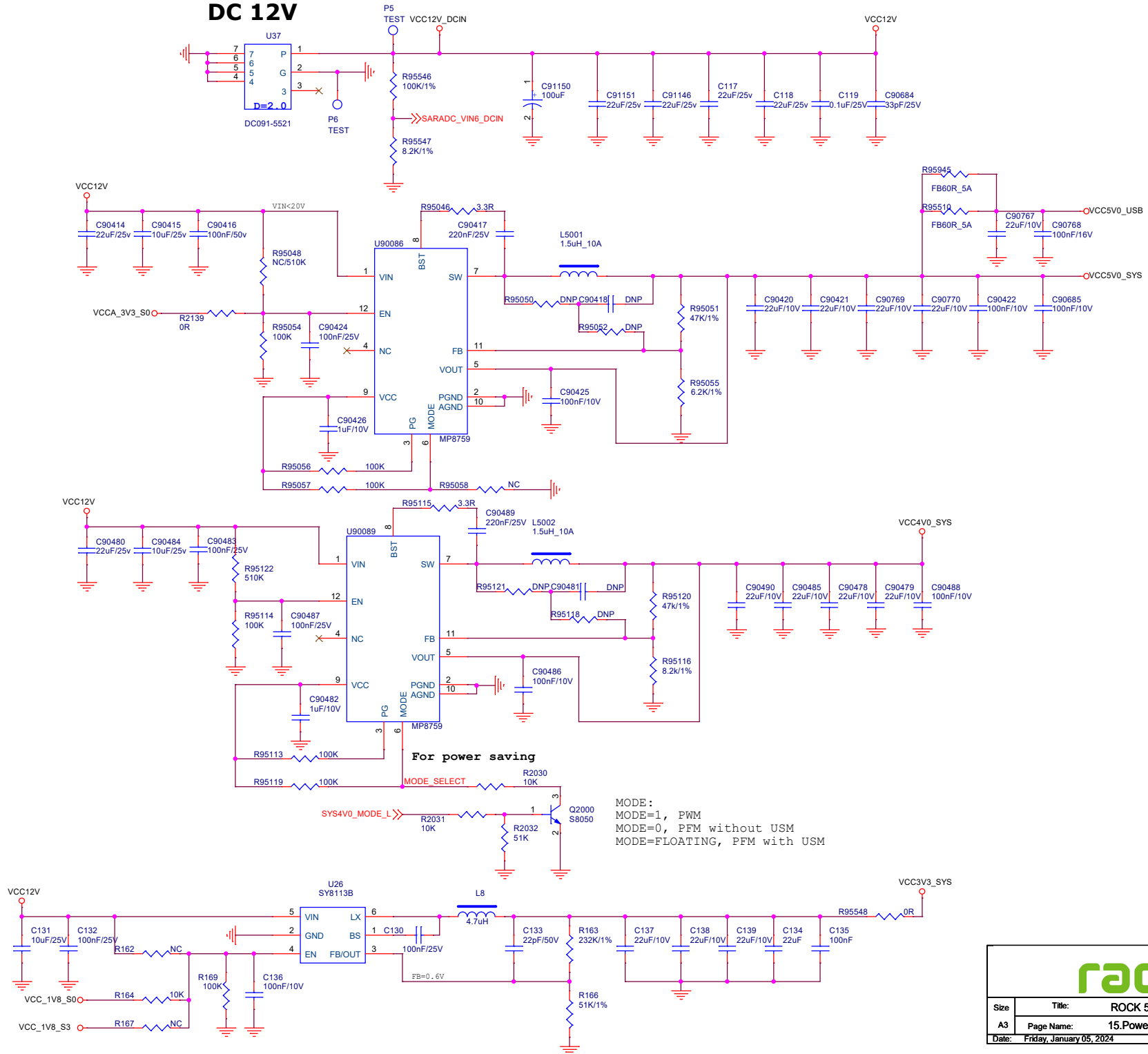
RK3588_I (VCCIO4 Domain)

U1000I



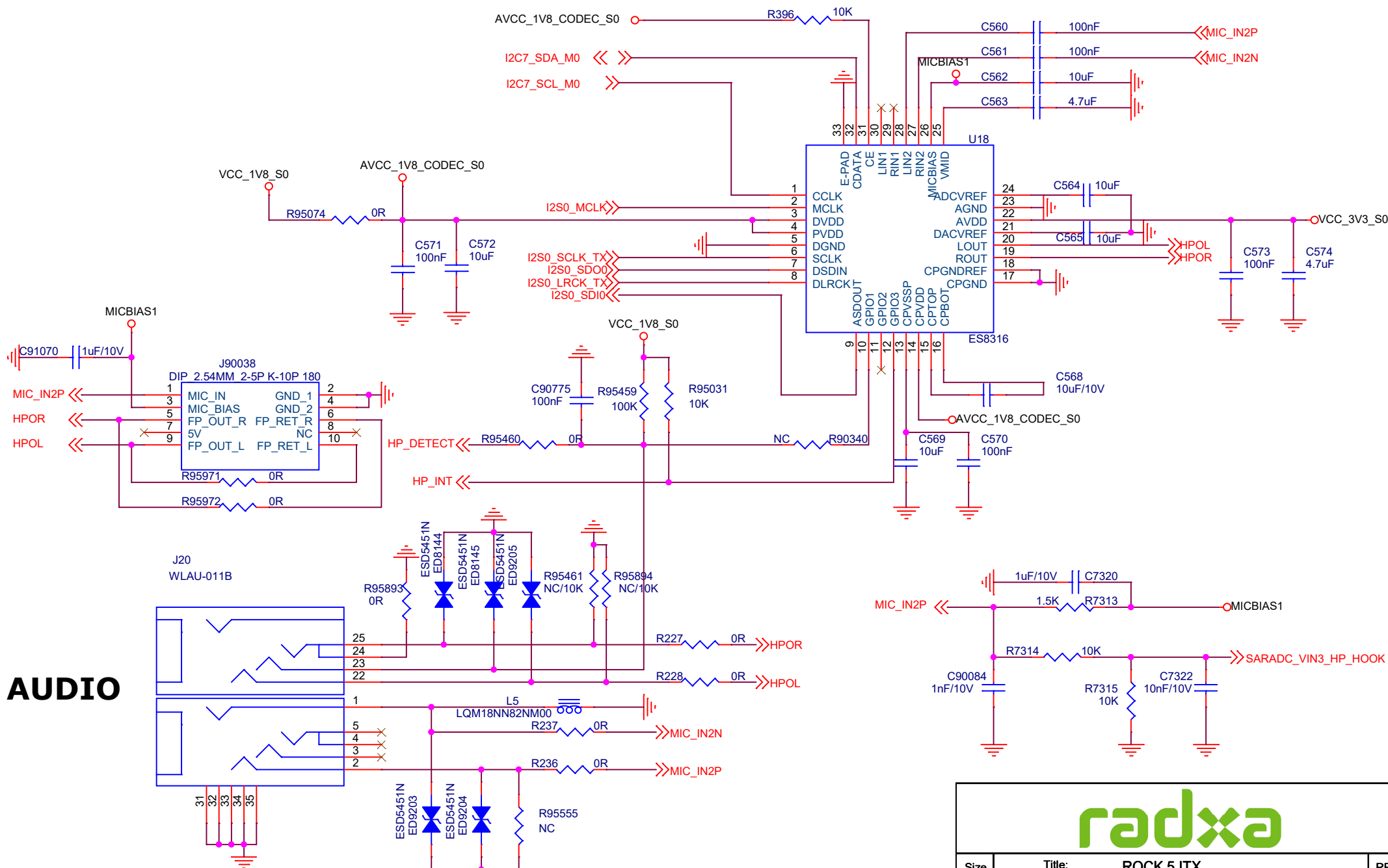
RK3588-Socket

DC 12V



Size	Title: ROCK 5 ITX	REV
A3	Page Name: 15.Power_DC IN	X1.1
Date: Friday, January 05, 2024	Sheet 15 of 38	

CODEC ES8316

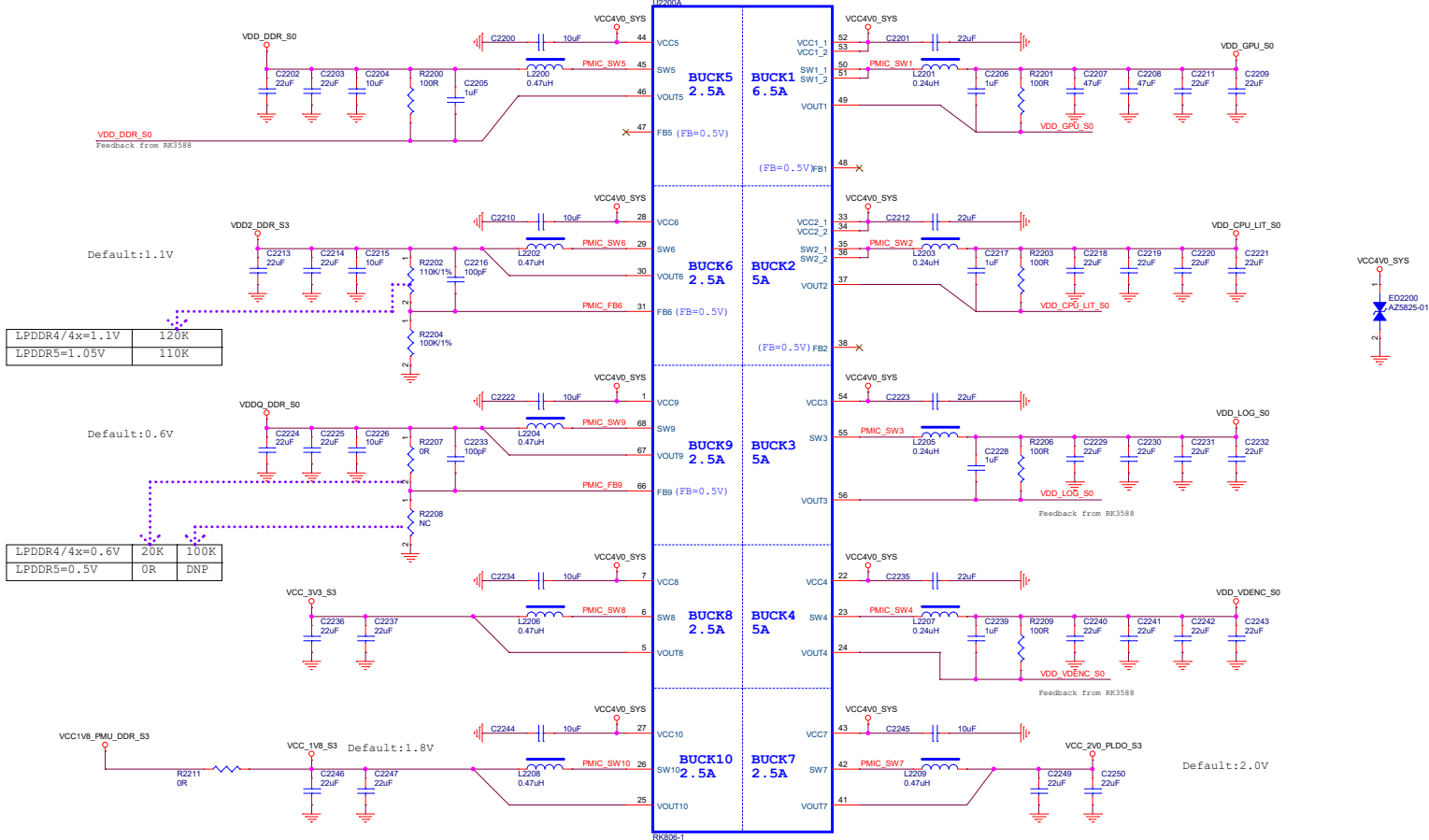


AUDIO

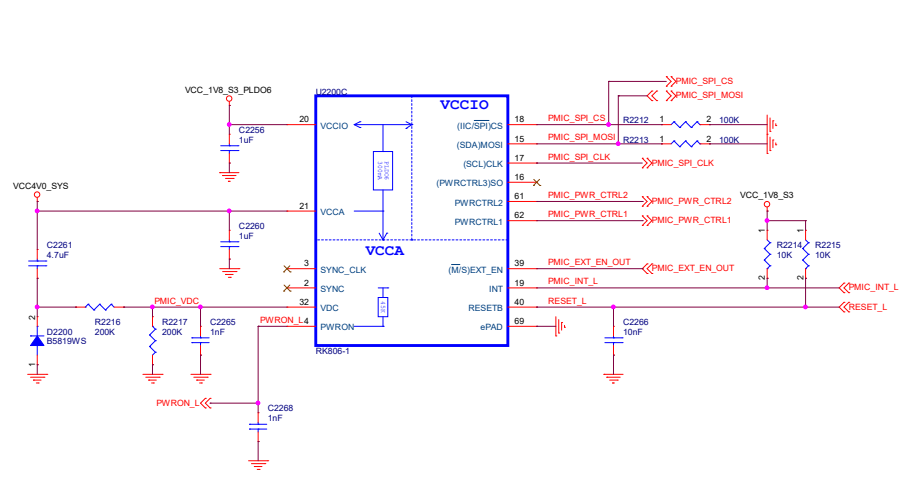
radxa

Size	Title: ROCK 5 ITX	REV
A4	Page Name: 16.Audio Codec	X1.1
Date: Friday, January 05, 2024	Sheet 16 of 38	

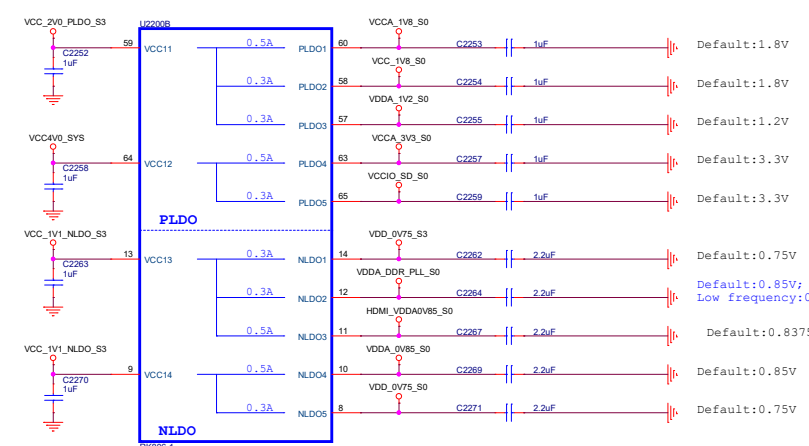
PMIC RK806-1 BUCK



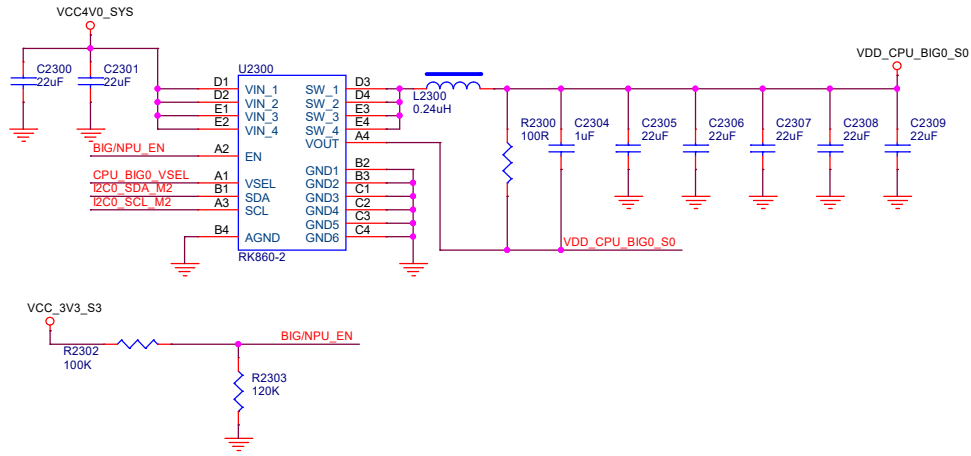
PMIC RK806-1 Management



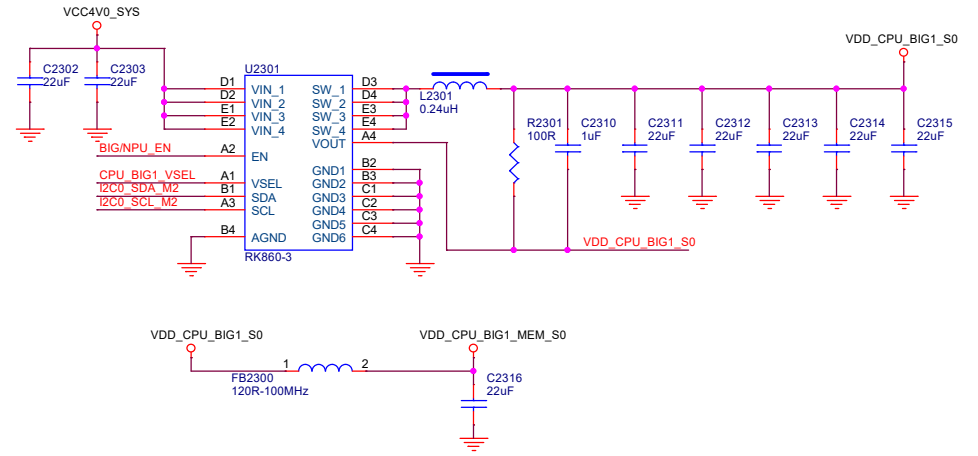
PMIC RK806-1 LDO



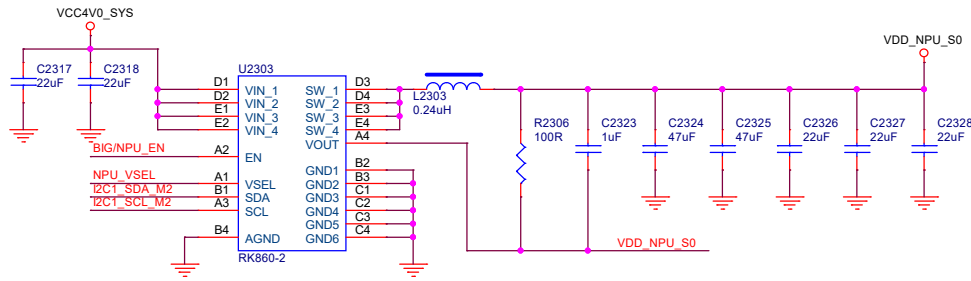
VDD_CPU_BIG0



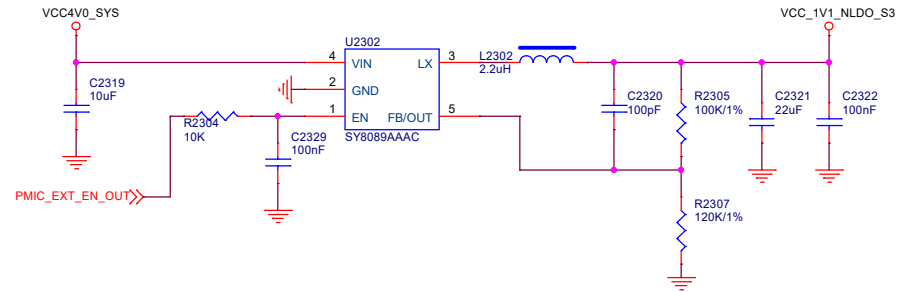
VDD_CPU_BIG1



VDD_NPU

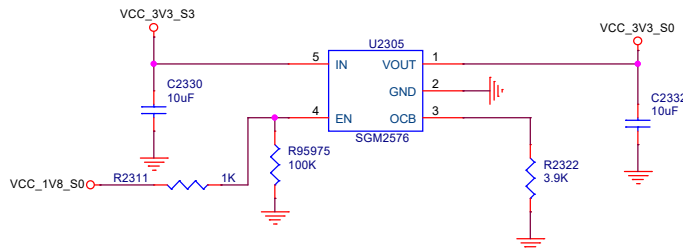


VCC_1V1_NLDO_S3



>>I2C1_SCL_M2
 <<I2C1_SDA_M2
 >>I2C0_SCL_M2
 <<I2C0_SDA_M2

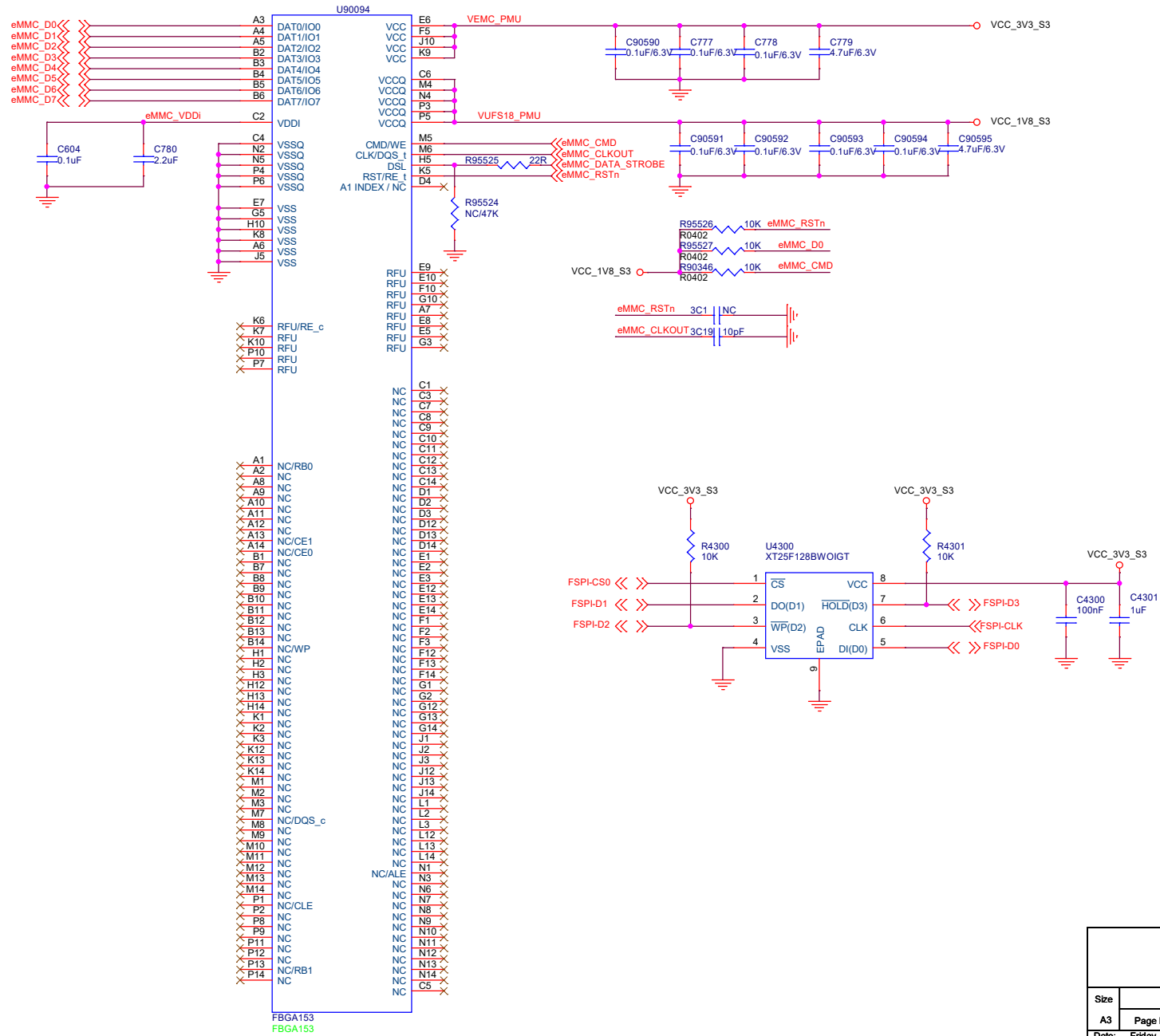
>>CPU_BIG0_VSEL
 >>CPU_BIG1_VSEL
 >>NPU_VSEL



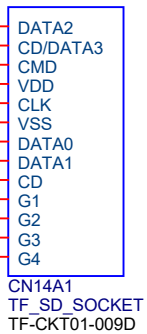
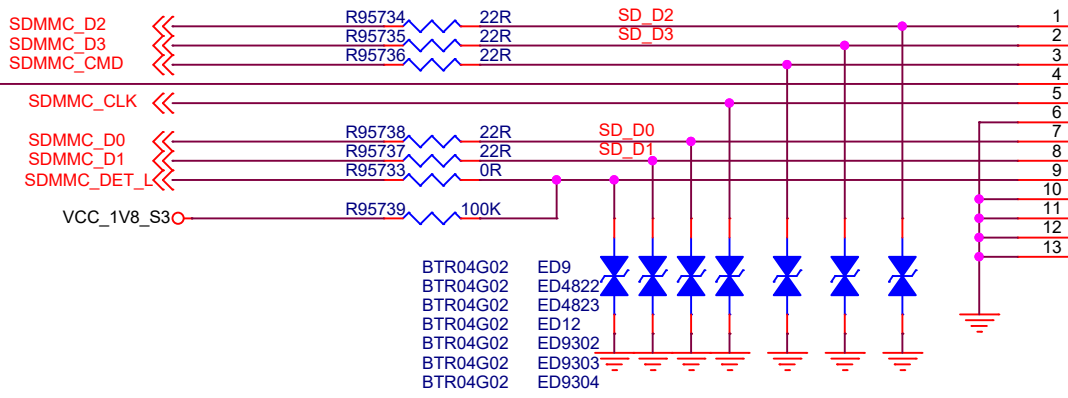
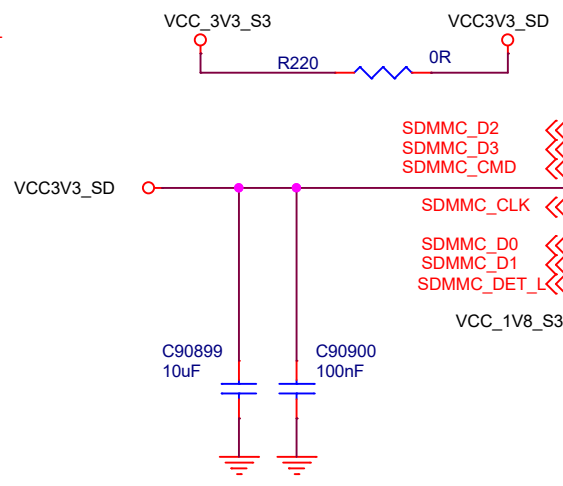
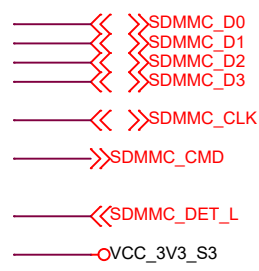
radxa

Size	Title: ROCK 5 ITX	REV
A3	Page Name: 18.Power_Ext Discrete	X1.1
Date: Thursday, January 04, 2024	Sheet 18 of 38	

eMMC/FSPI FLASH



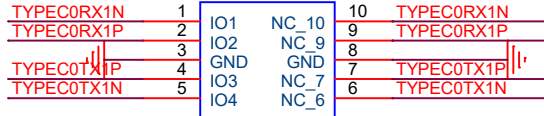
MicroSD Card



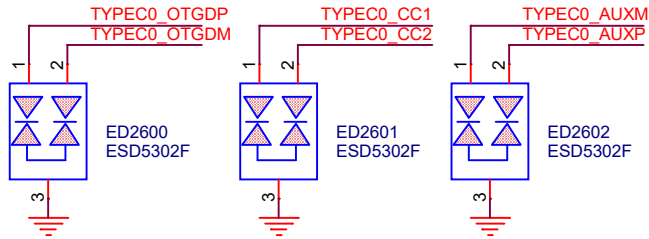
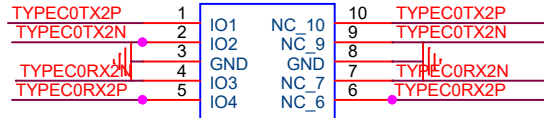
Size	Title: ROCK 5 ITX	REV
A4	Page Name: 20.MicroSD_Card	X1.1
Date: Thursday, January 04, 2024	Sheet 20 of 38	

Type-C PORT

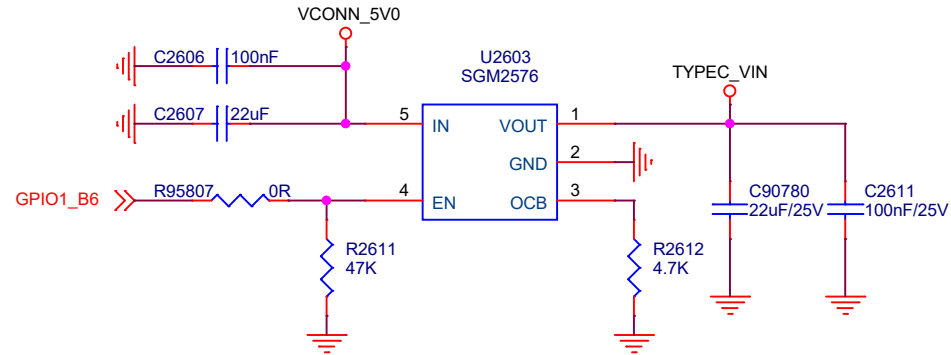
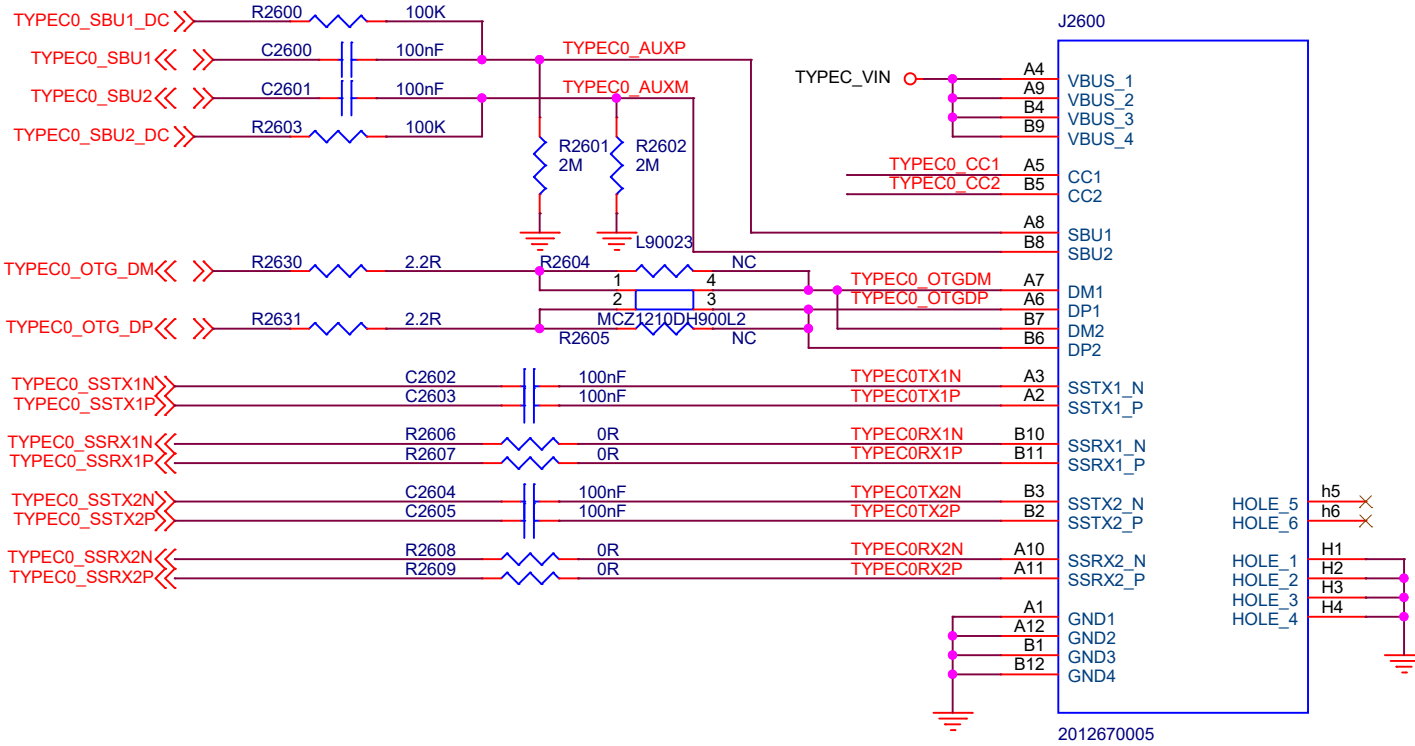
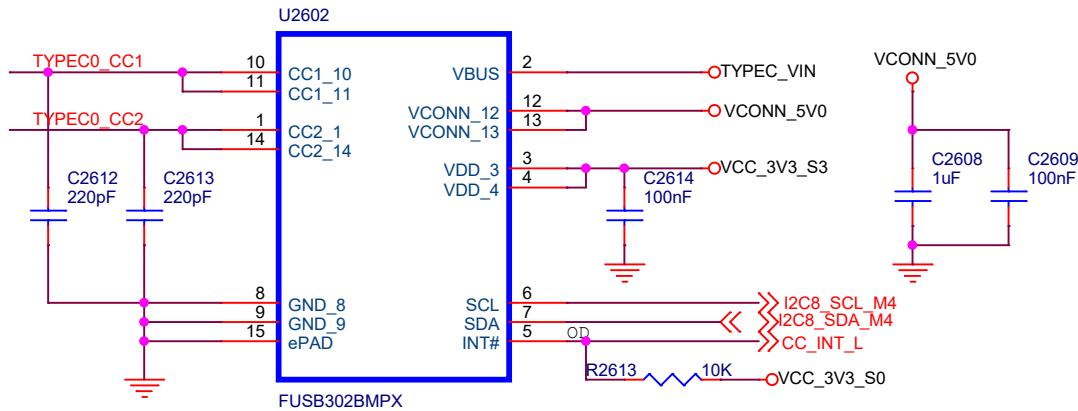
U2600
ESD73034D



U2601
ESD73034D



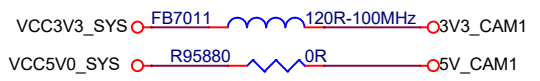
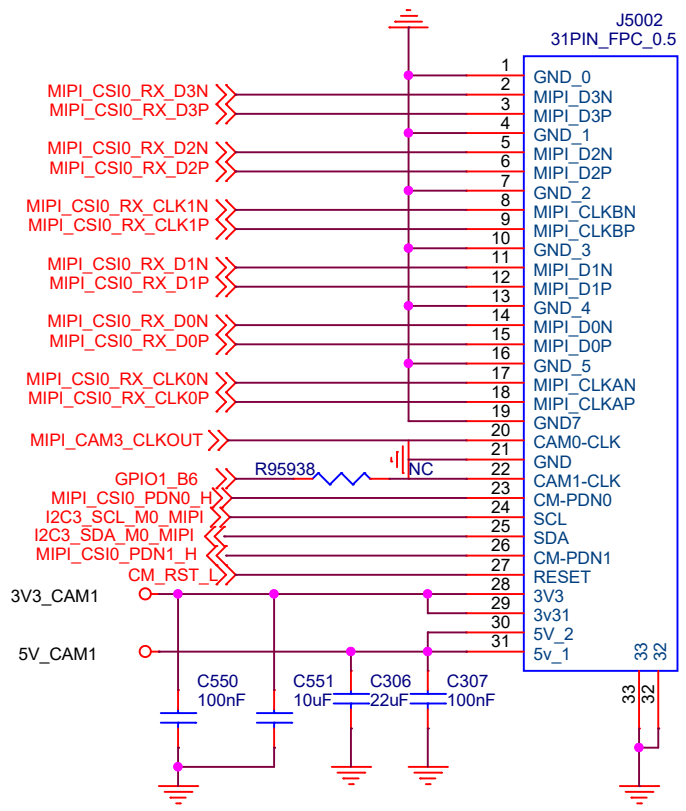
VCC5V0_USB - R95806 (0R) - VCONN_5V0



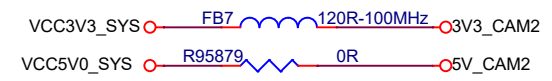
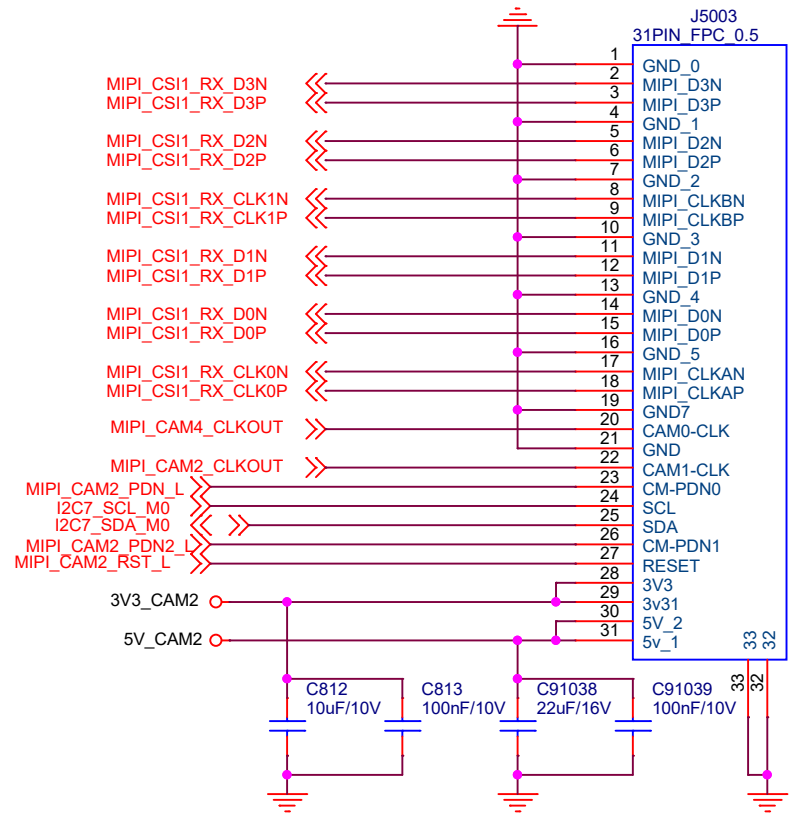
Size	Title: ROCK 5 ITX	REV
A4	Page Name: 21.Type-C	X1.1
Date: Thursday, January 04, 2024	Sheet 21 of 38	

MIPI CSI RX

CAM 0

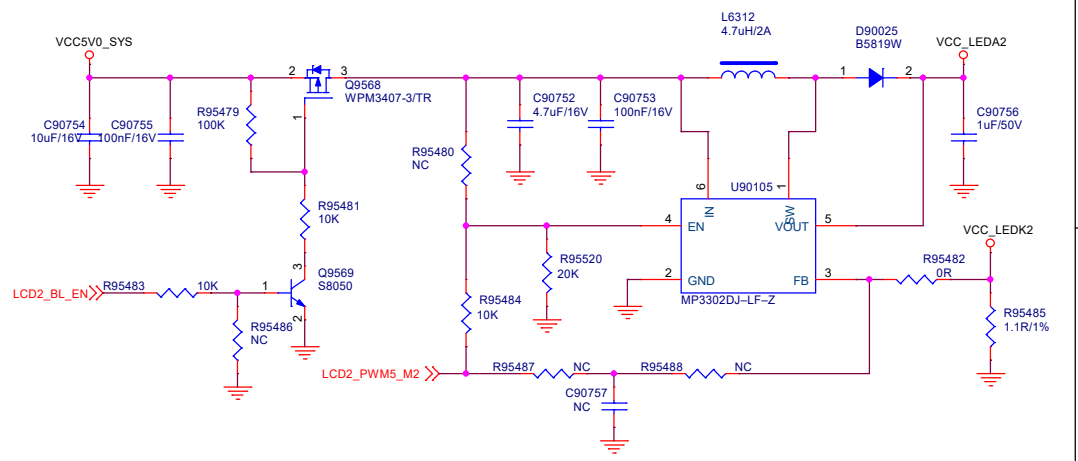
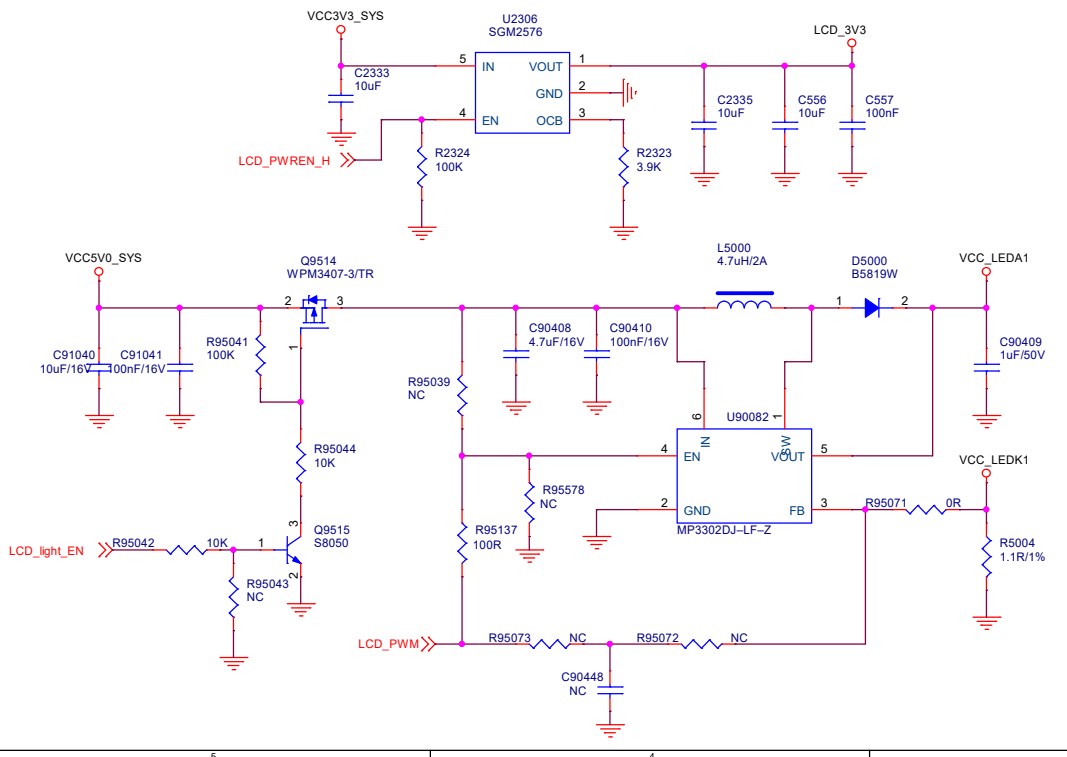
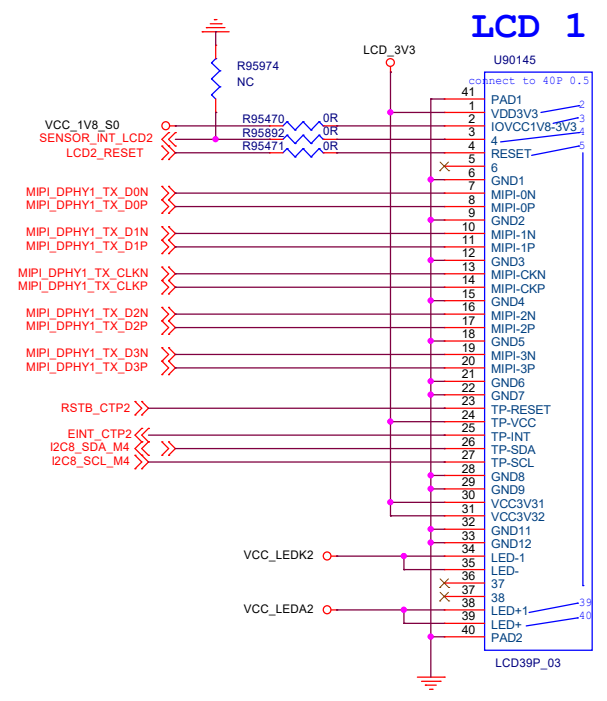
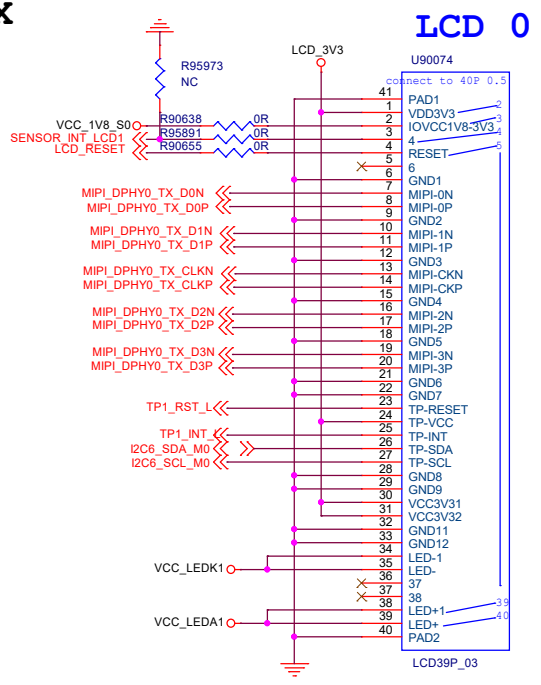



CAM 1



Size	Title: ROCK 5 ITX	REV
A4	Page Name: 22.Camera	X1.1
Date:	Thursday, January 04, 2024	Sheet 22 of 38

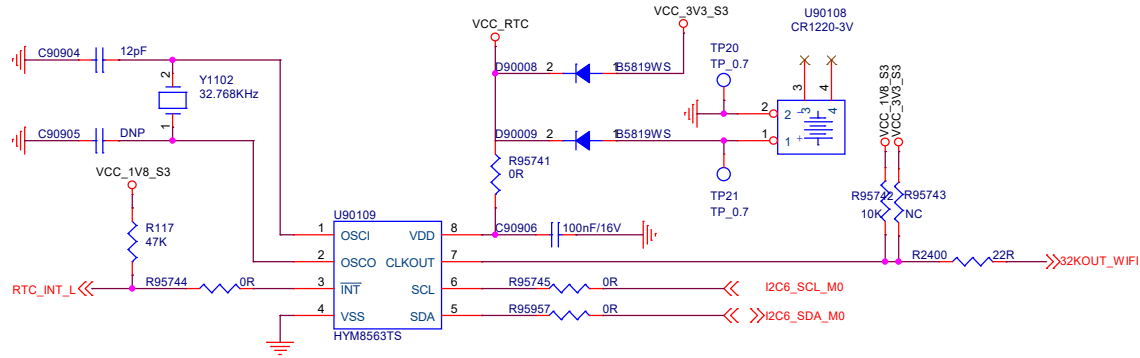
MIPI DSI TX



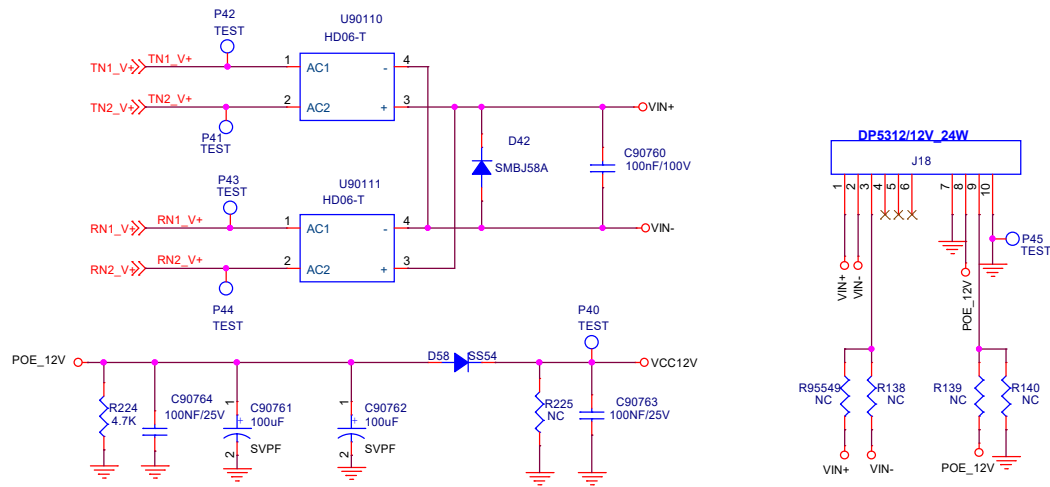


Size	Title: ROCK 5 ITX	REV
A3	Page Name: 23.LCM	X1.1
Date: Thursday, January 04, 2024	Sheet 23 of 38	

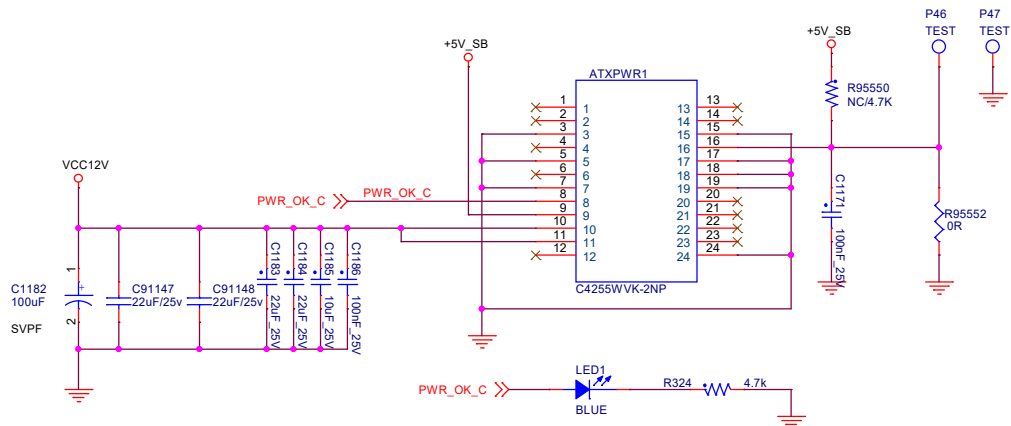
RTC



POE

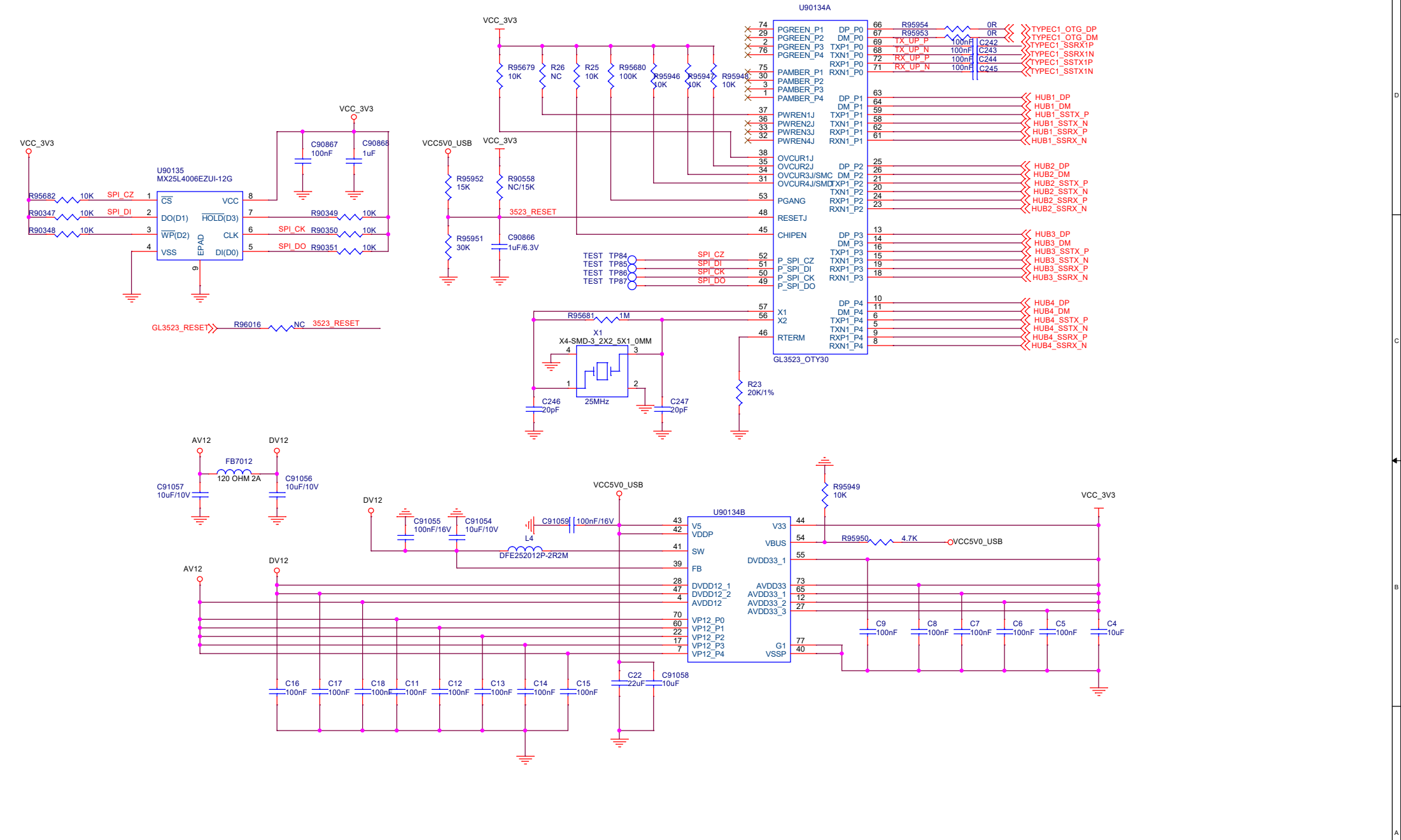


ATX_POWER

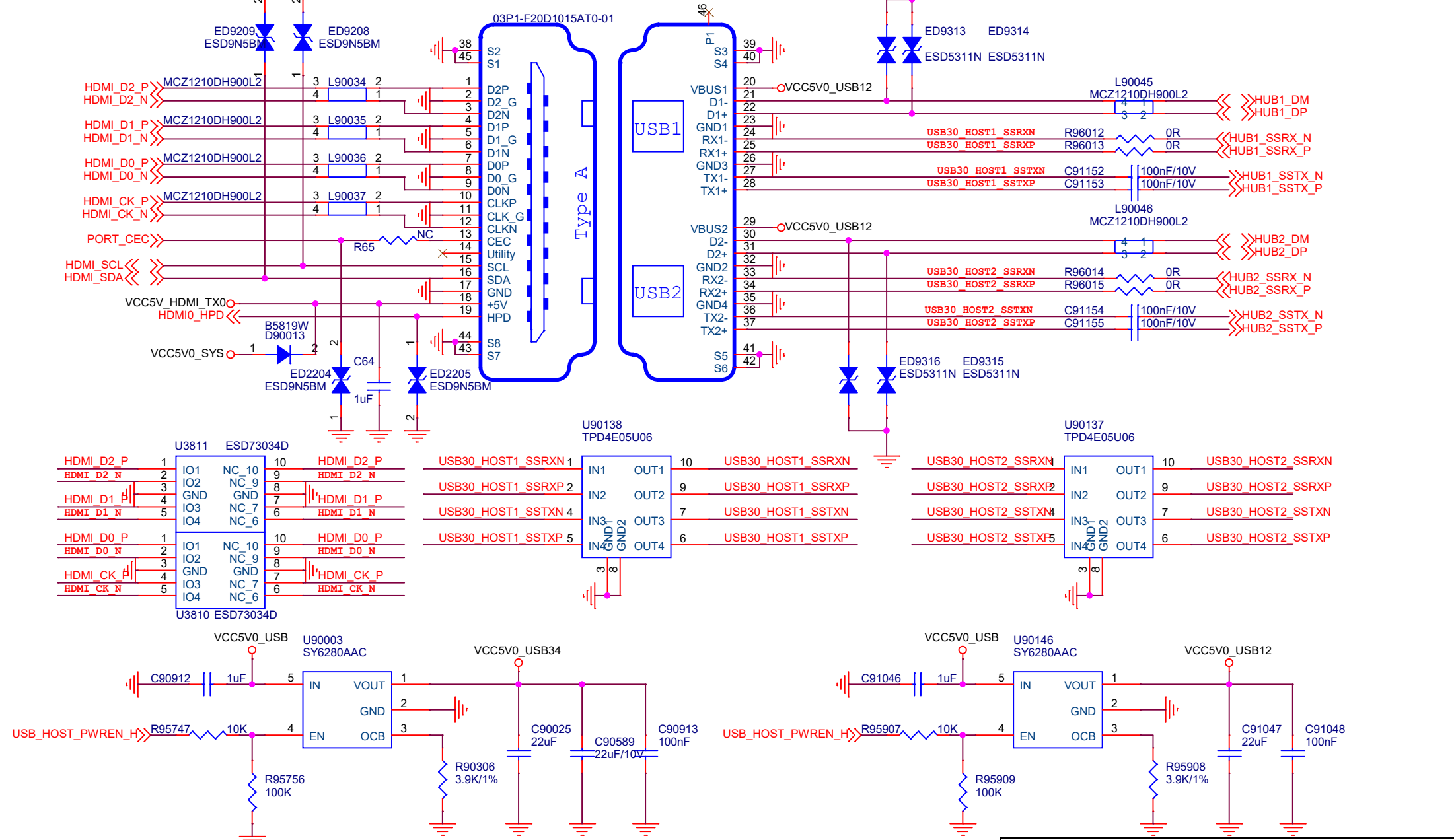



Size	Title: ROCK 5 ITX	REV
A3	Page Name: 24.POE_ATXPWR_RTC	X1.1
Date: Friday, January 05, 2024	Sheet 24	of 38

USB3.0 HUB



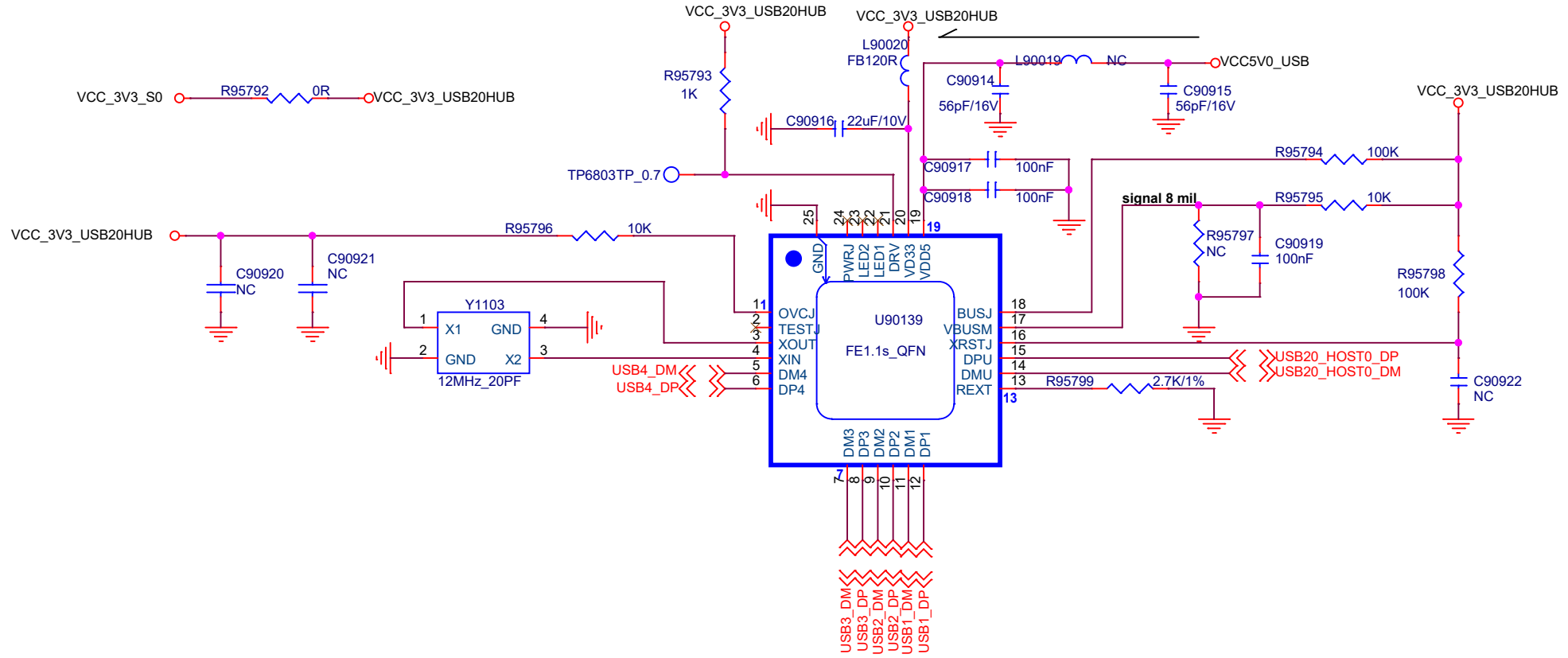
USB3.0+HDMI






Size	Title: ROCK 5 ITX	REV
A4	Page Name: 26.USB30x2	X1.1
Date: Friday, January 05, 2024	Sheet 26 of 38	

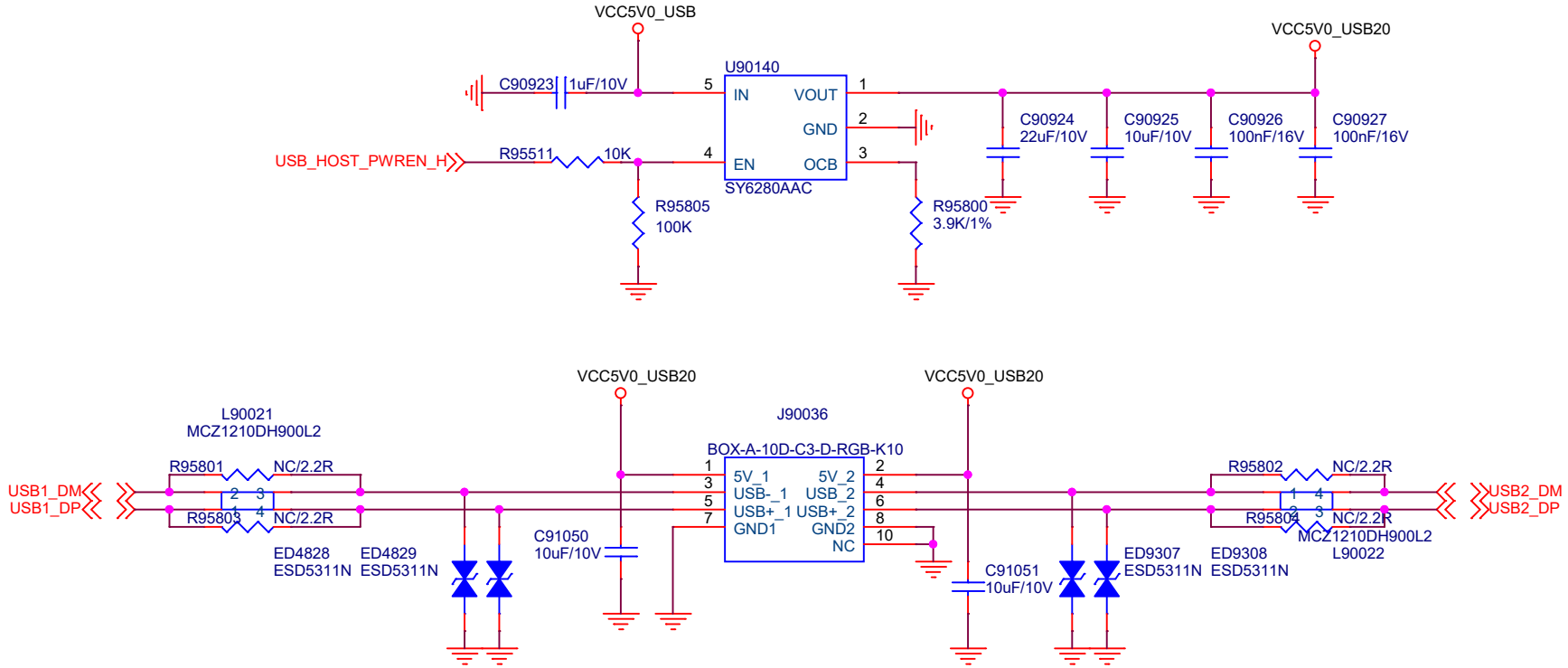
USB2.0 HUB





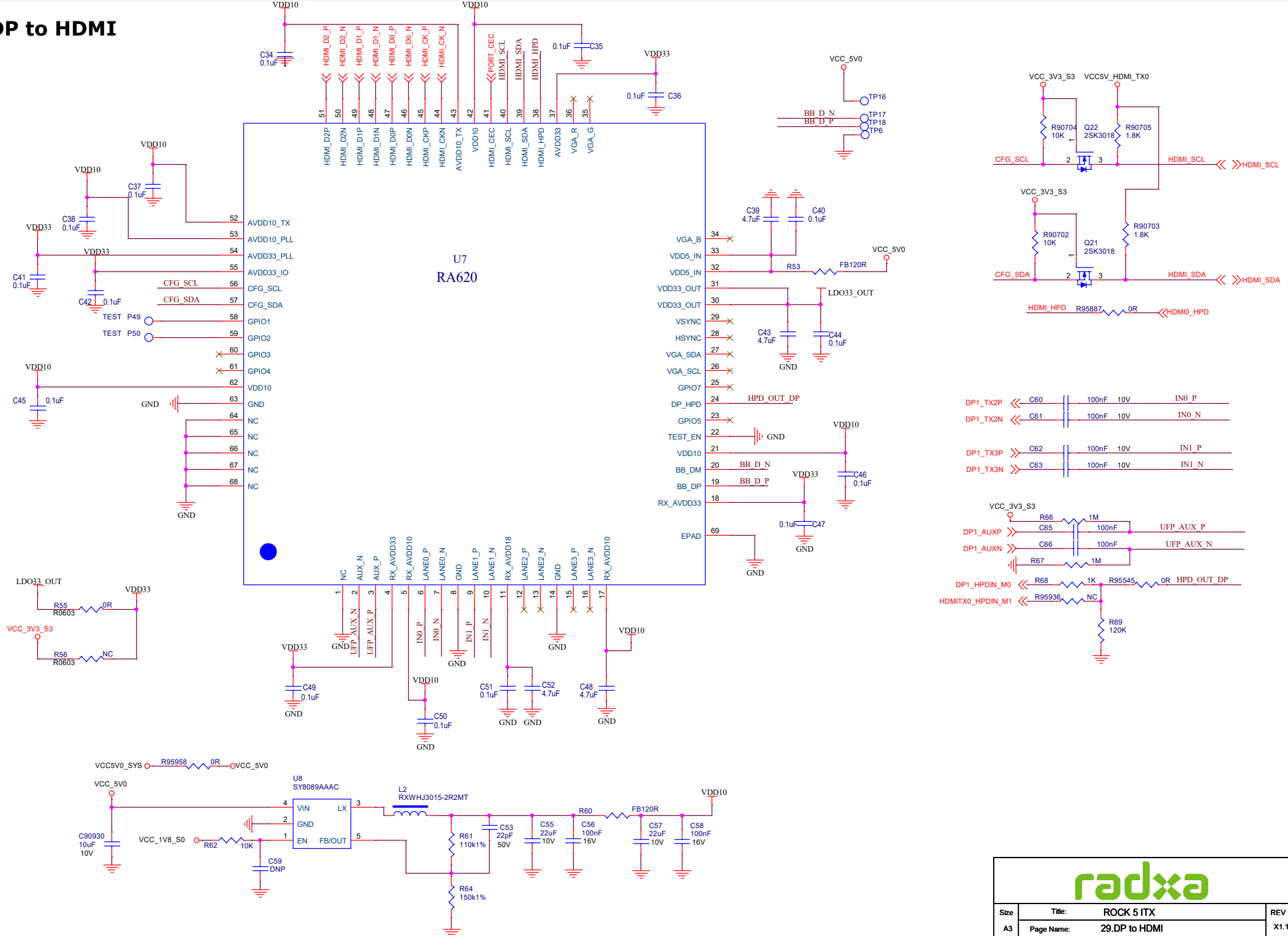
Size	Title: ROCK 5 ITX	REV
A4	Page Name: 27.USB20_HUB	X1.1
Date: Thursday, January 04, 2024	Sheet	27 of 38

USB 2.0

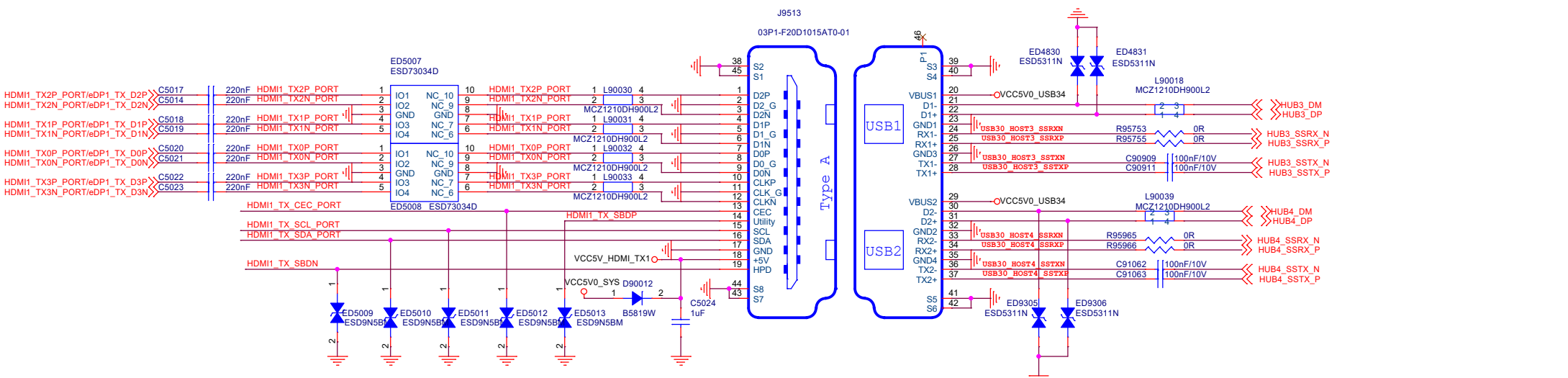


Size	Title: ROCK 5 ITX	REV
A4	Page Name: 28_USB20x2	X1.1
Date: Friday, January 05, 2024	Sheet 28 of 38	

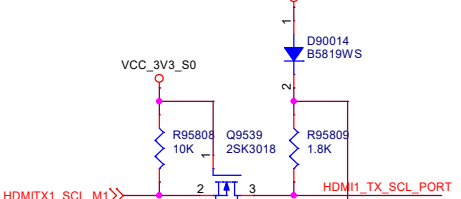
DP to HDMI



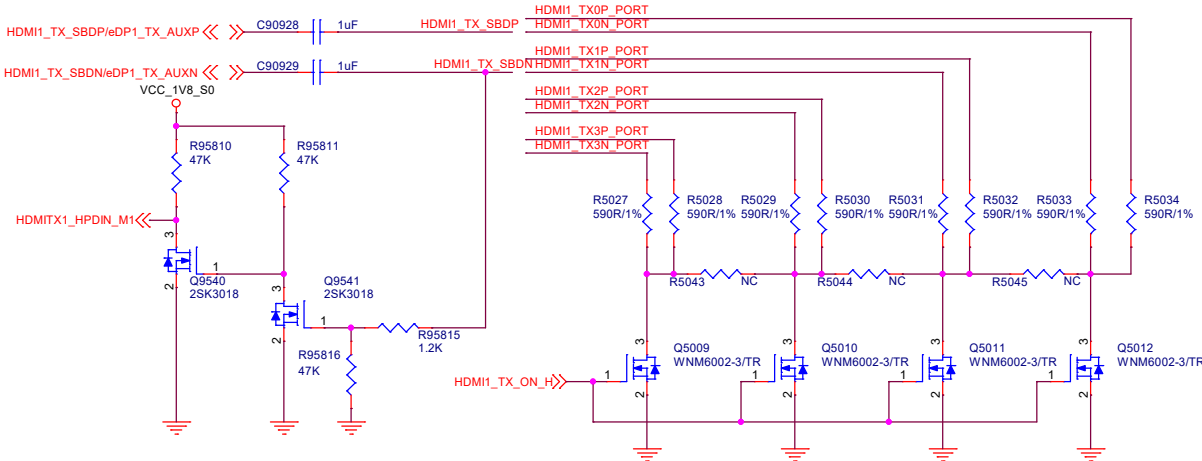
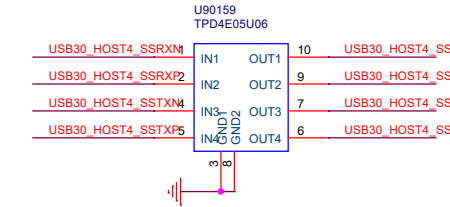
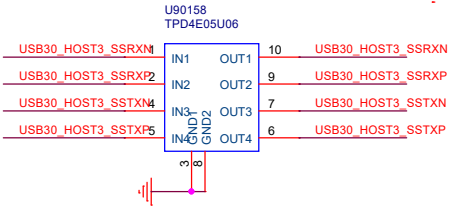
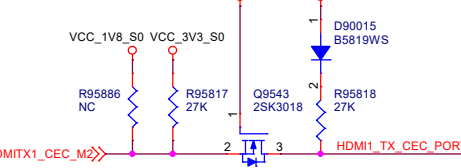
USB3.0+HDMI




HDMI TX DDC



HDMI TX CEC



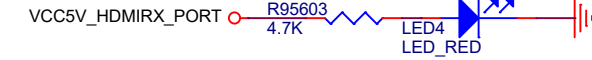
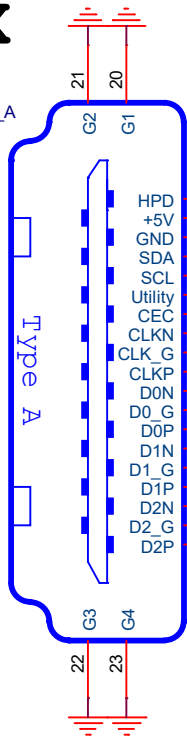


Size	Title: ROCK 5 ITX	REV
A3	Page Name: 30.USB30x2+HDMI	X1.1
Date: Friday, January 05, 2024	Sheet 30 of 38	

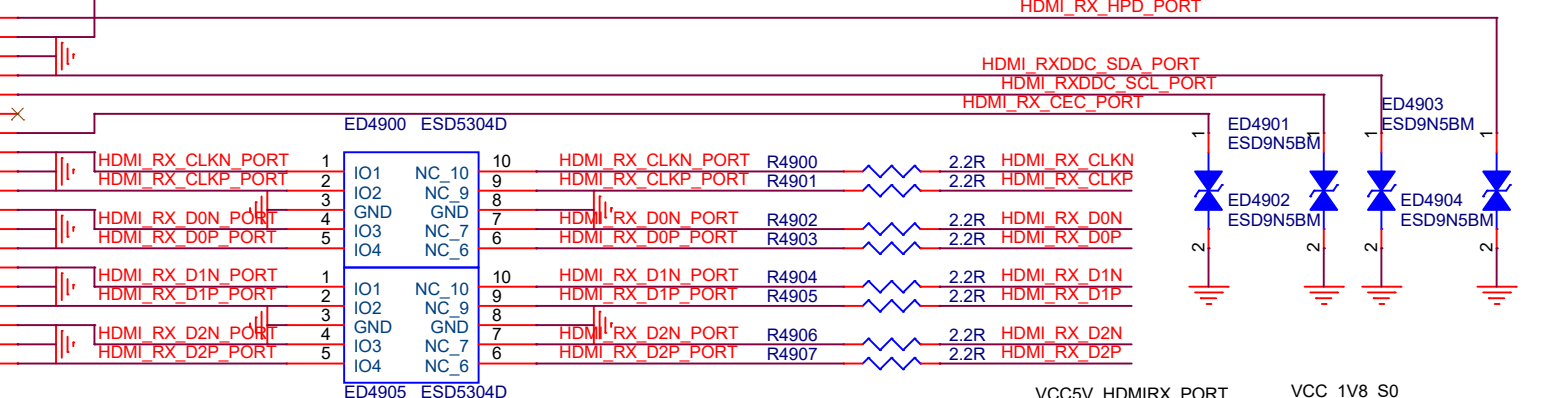
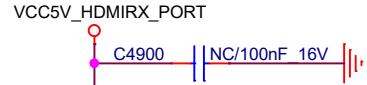
HDMI 2.0 RX

- << HDMI_RX_D0P
- << HDMI_RX_D0N
- << HDMI_RX_D1P
- << HDMI_RX_D1N
- << HDMI_RX_D2P
- << HDMI_RX_D2N
- >> HDMI_RX_CLKP
- >> HDMI_RX_CLKN
- >> HDMI_RX_CEC
- >> HDMIIRX_HPDDOUT_H
- >> HDMI_RX_SCL_M1
- >> HDMI_RX_SDA_M1
- >> HDMIIRX_DET_L

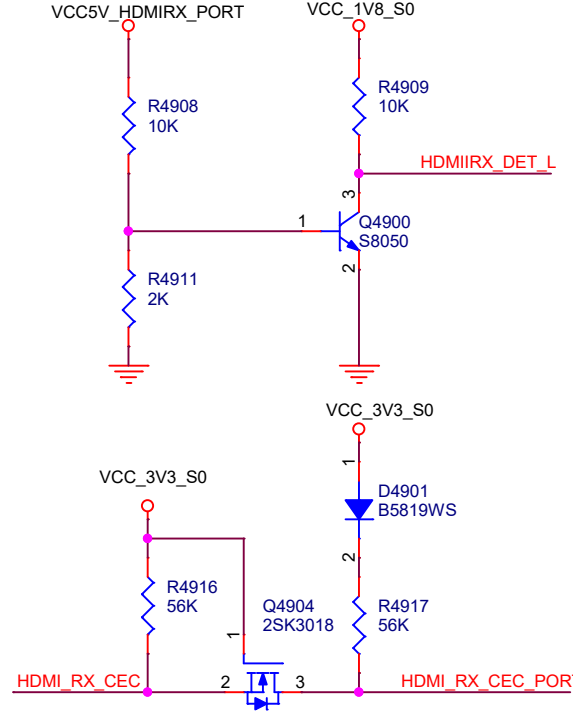
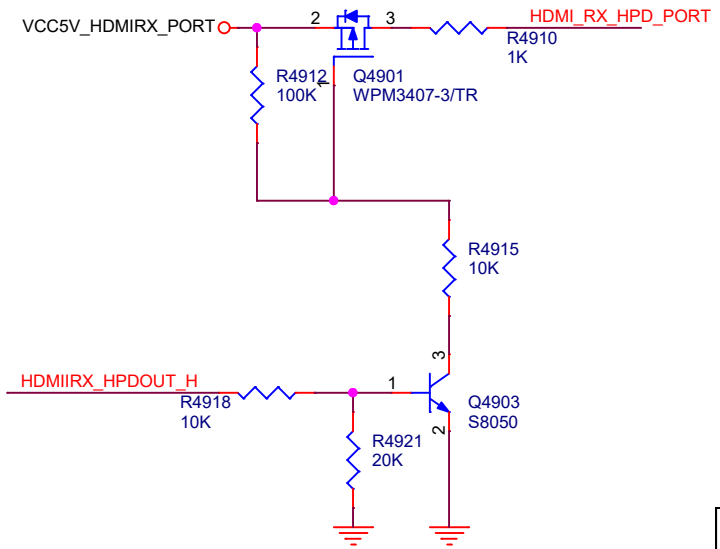
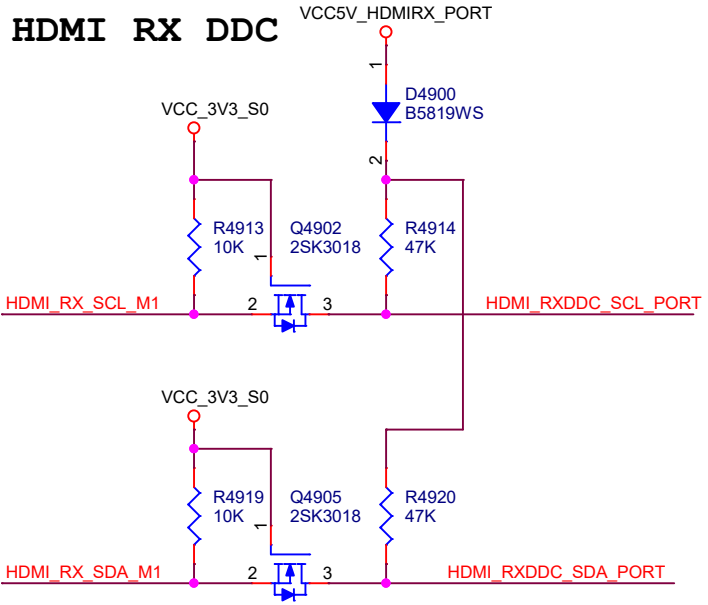
J9514
HDMI_TYPE_A



Note:
(This HDMI2.0 RX interface has low probability anomalies, such as splash screen and restart in scenarios such as frequent plug and pull, high and low resolution switching, etc. The probability is between 0.1% and 1%. We are still trying to debug and solve these problems. If the user will frequently use various peripherals to insert this HDMI2.0 RX interface, it is recommended to use external bridges connecting chips to improve compatibility to avoid affecting product production.)

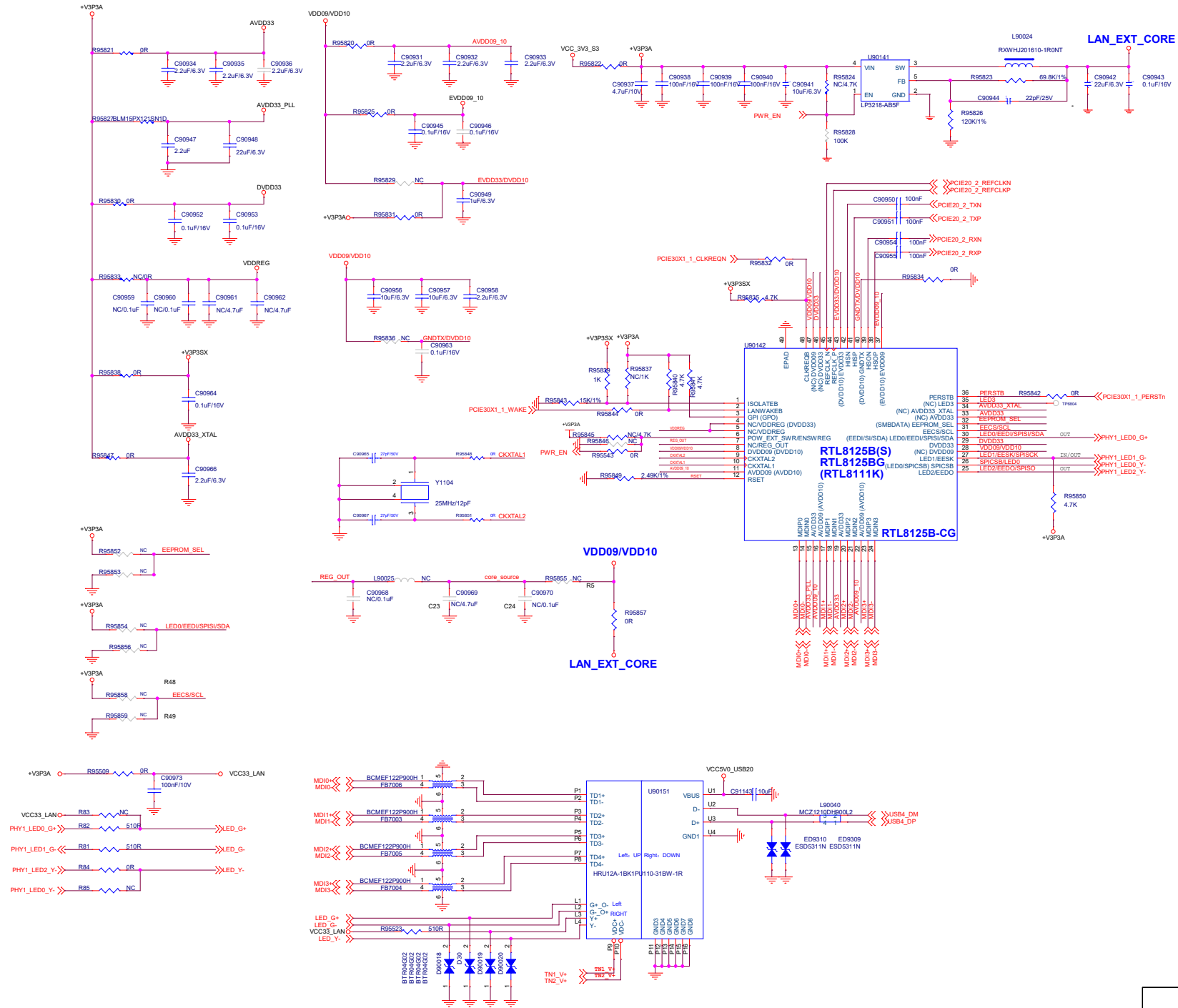


HDMI RX DDC

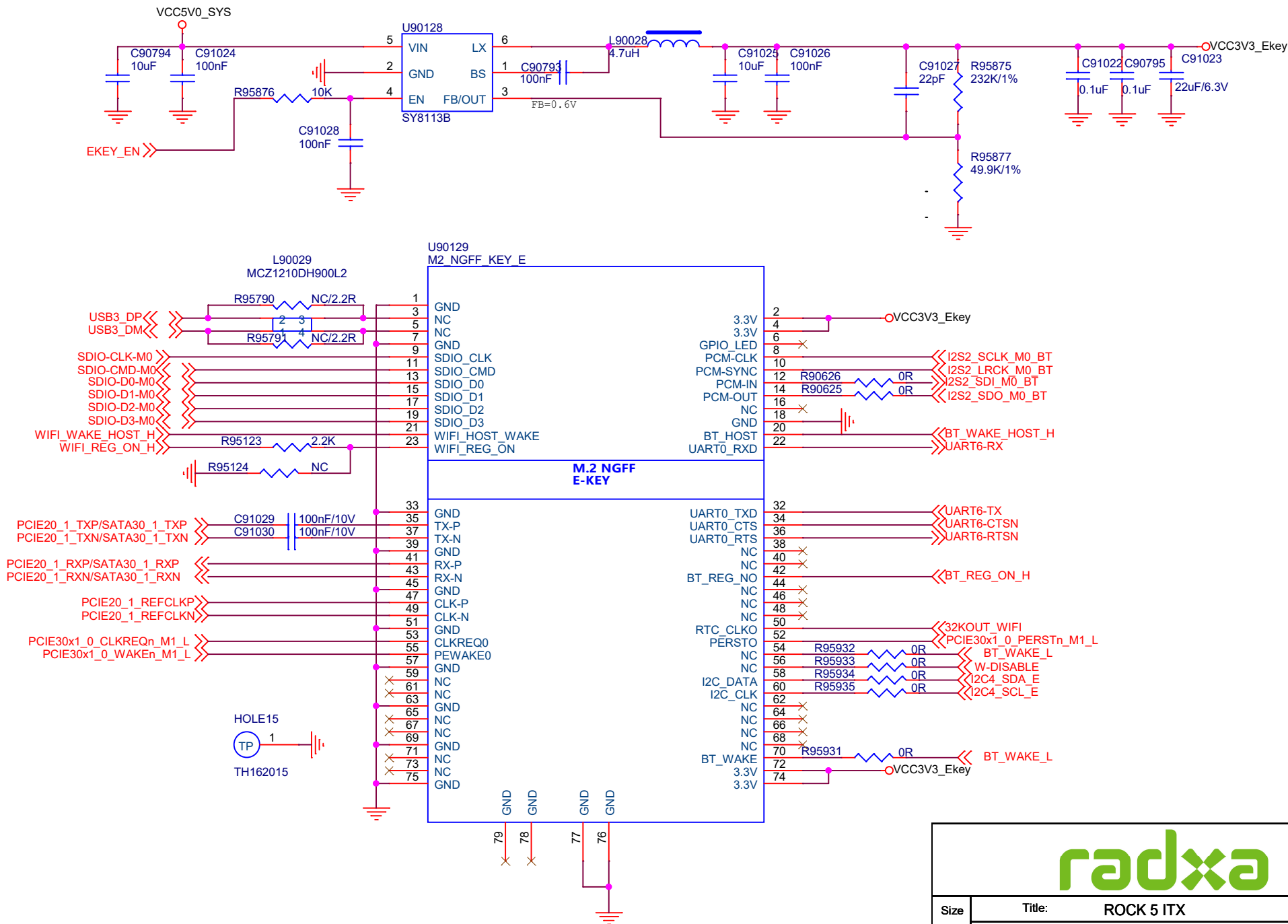


Size	Title: ROCK 5 ITX	REV
A4	Page Name: 31.HDMI_RX	X1.1
Date: Thursday, January 04, 2024	Sheet 31 of 38	

ETH1+USB 2.0

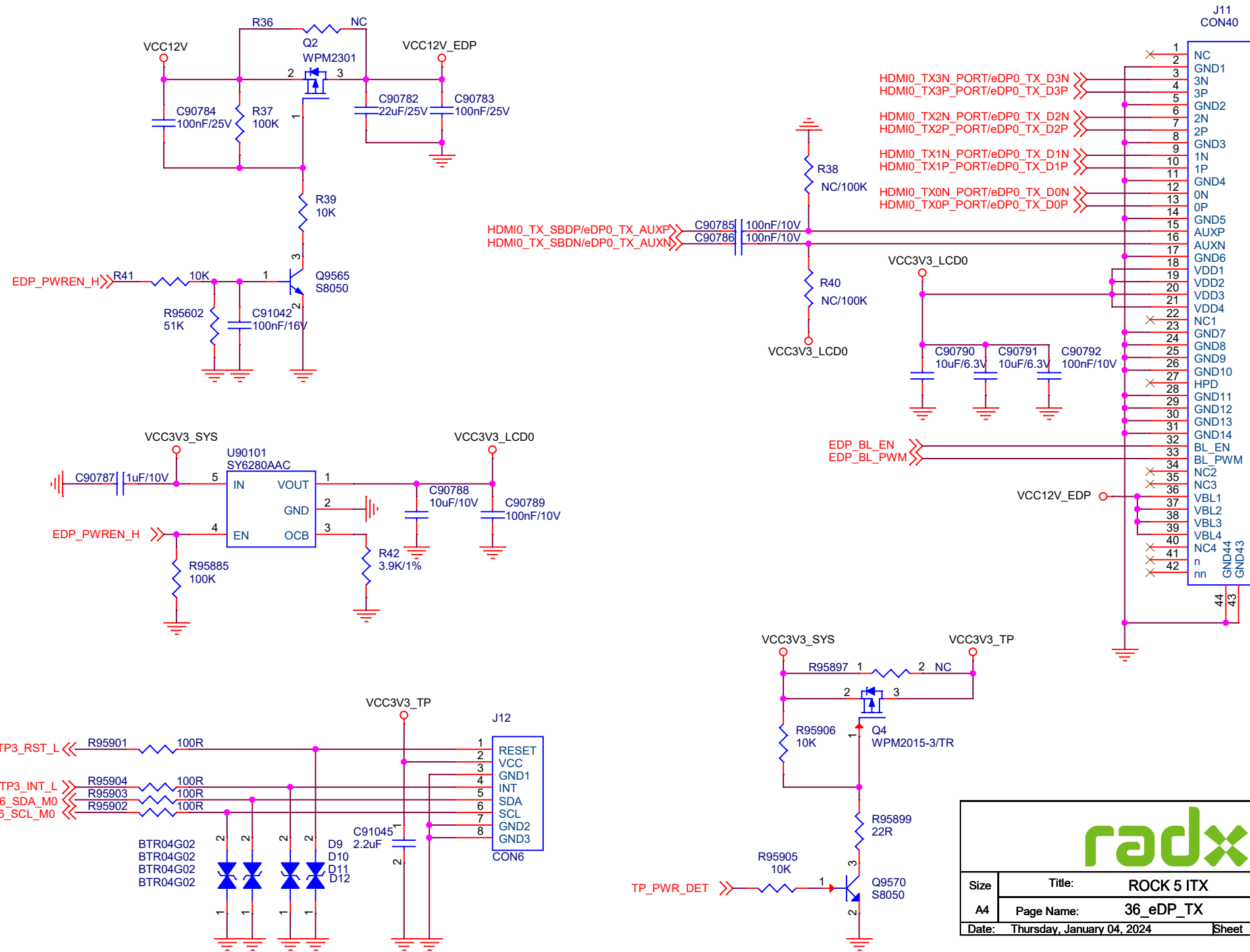



PCIE-PCIE2.0_Slot-Ekey



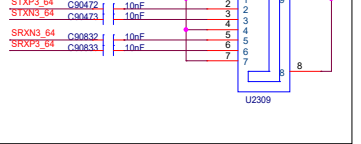
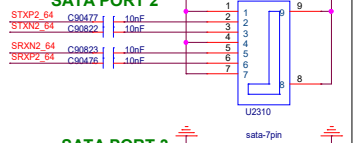
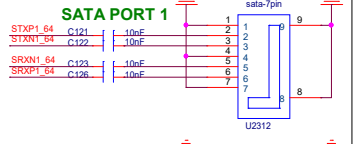
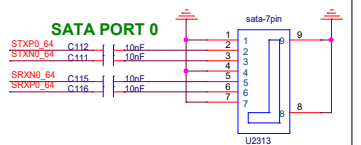
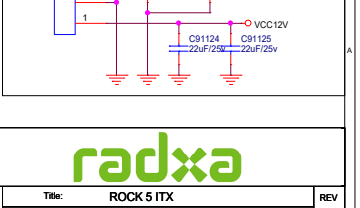
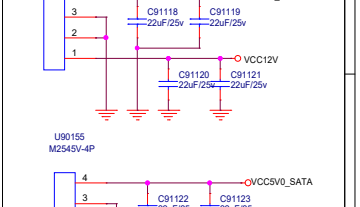
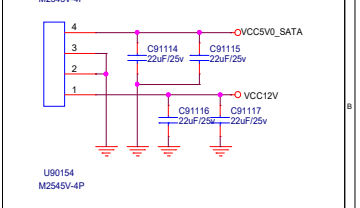
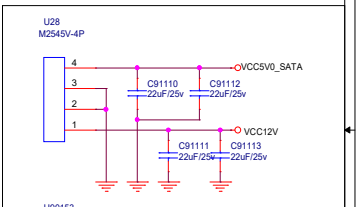
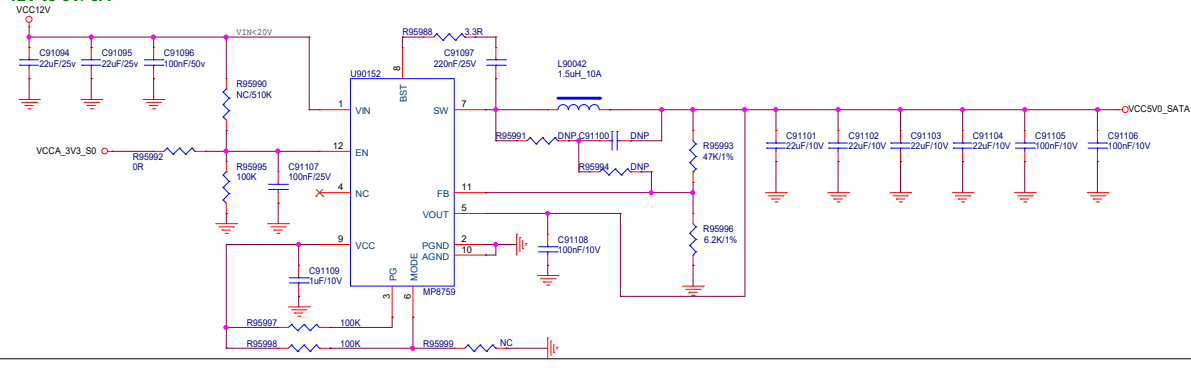
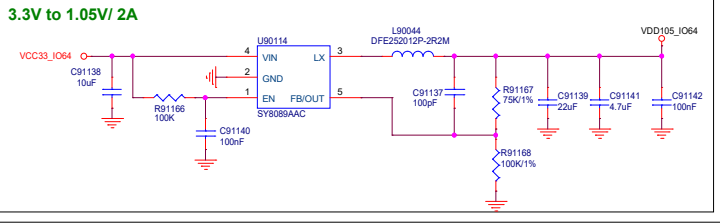
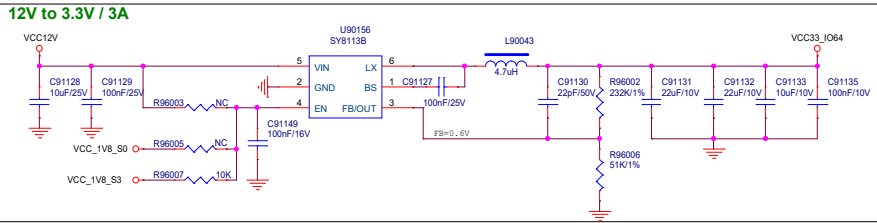
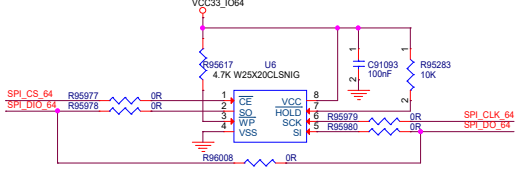
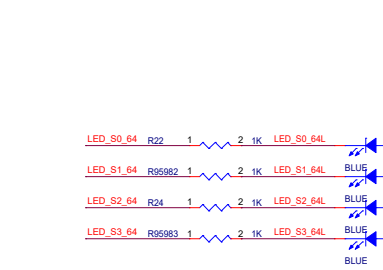
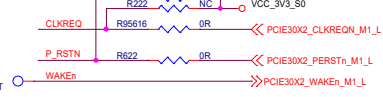
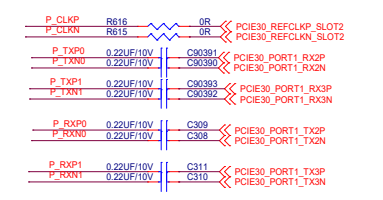
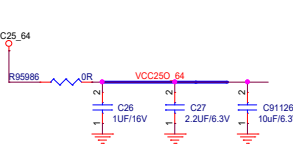
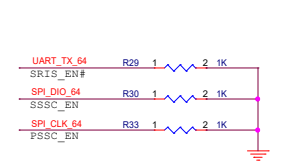
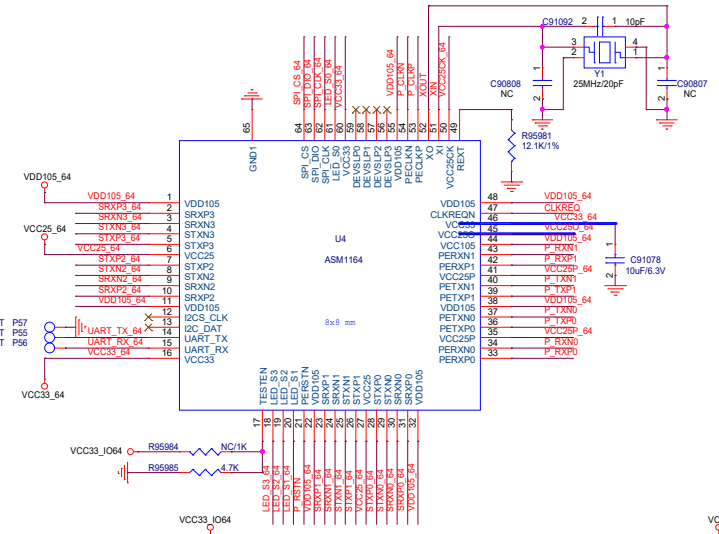
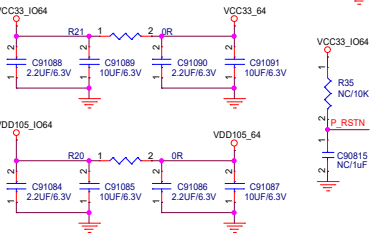
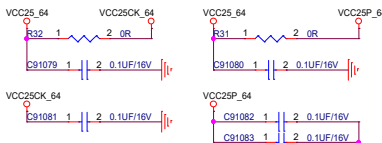
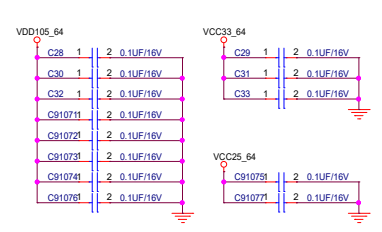
Size	Title: ROCK 5 ITX	REV
A4	Page Name: 34_PCIE-PCIE20_Slot-Ekey	X1.1
Date: Thursday, January 04, 2024	Sheet 34	of 38

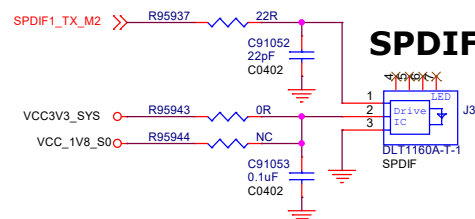
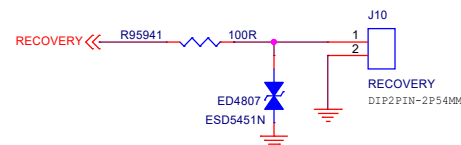
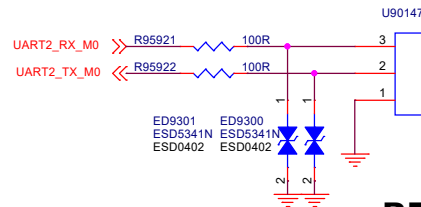
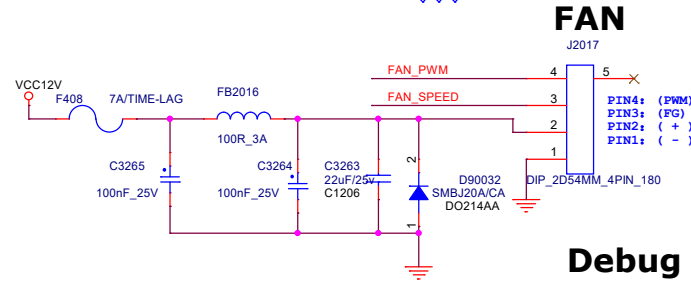
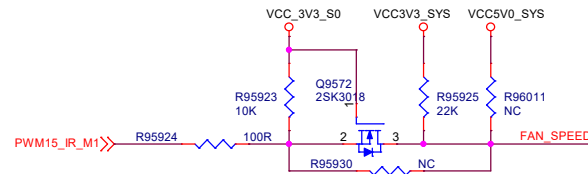
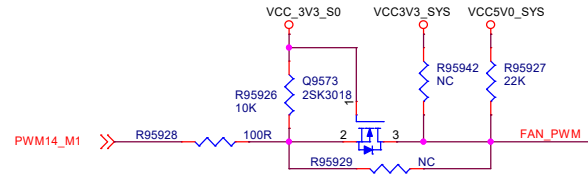
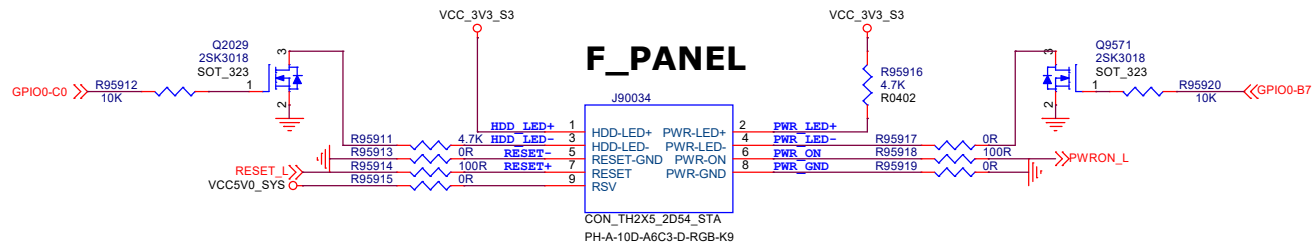
Single-eDP LCM





Size	Title: ROCK 5 ITX	REV
A4	Page Name: 36_eDP_TX	X1.1
Date: Thursday, January 04, 2024		Sheet 36 of 38





MARK

