



Radxa ROCK 5 ITX schematic

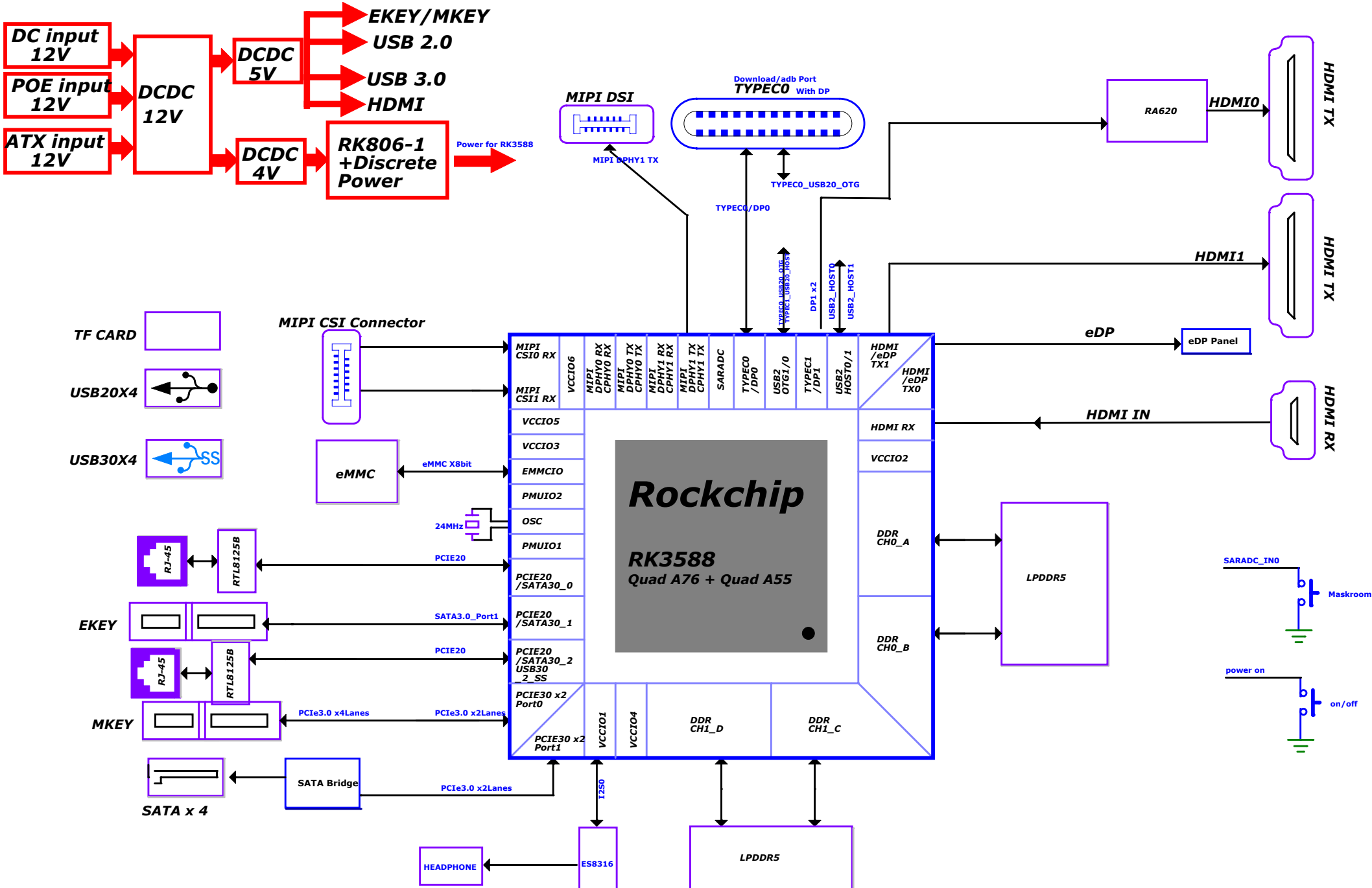
V1.11

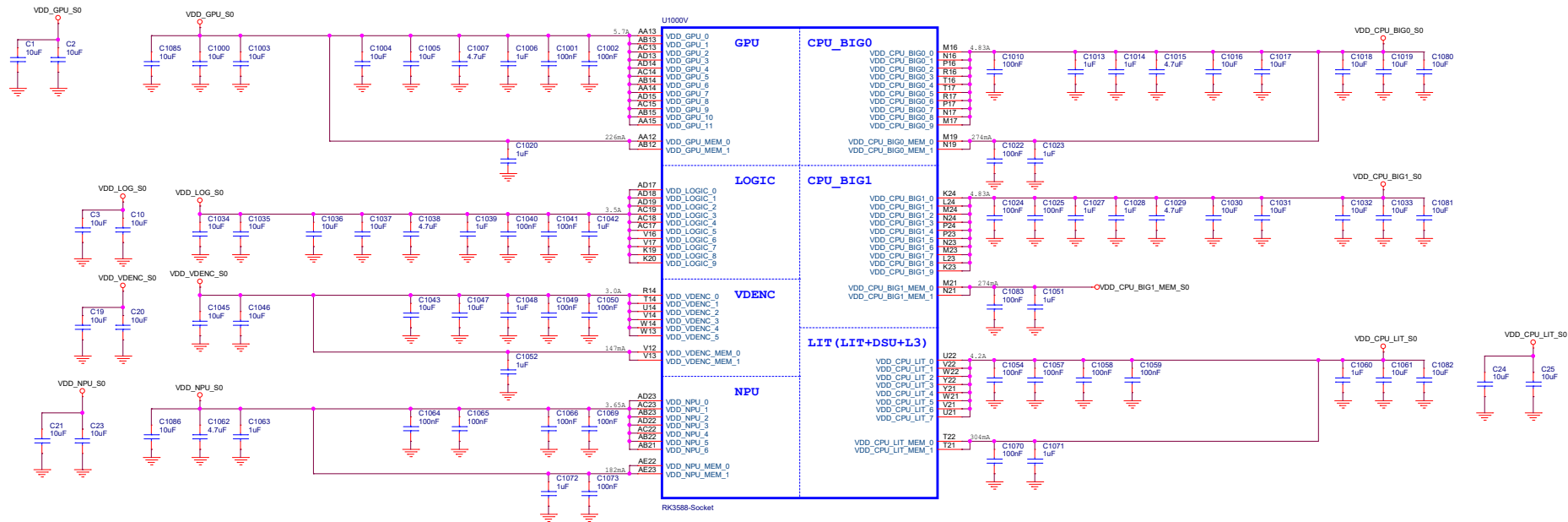
Index

Page 1	01.Cover
Page 2	02.Index
Page 3	03.Block
Page 4	04.LPDDR5
Page 5	05.RK3588_Power/GND
Page 6	06.RK3588_OSC/PLL/PMUIO
Page 7	07.RK3588_DDR Controler
Page 8	08.RK3588_Flash/SD Controller
Page 9	09.RK3588_USB30/USB20_Ctrl
Page 10	10.RK3588_SARADC/1.8V Only GPIO
Page 11	11.RK3588_MIPI Interface
Page 12	12.RK3588_HDMI/eDP Interface
Page 13	13.RK3588_PCIE30/PCIE20/SATA30
Page 14	14.RK3588_1.8V/ 3.3V GPIO
Page 15	15.Power_DC IN
Page 16	16.Audio Codec
Page 17	17.Power-PMIC_RK806-1
Page 18	18.Power_Ext Discrete
Page 19	19.eMMC Flash
Page 20	20.MicroSD_Card
Page 21	21.Type-C
Page 22	22.Camera
Page 23	23.LCM
Page 24	24.POE_ATXPWR_RTC
Page 25	25.USB30_HUB
Page 26	26.USB30x2+HDMI
Page 27	27.USB20_HUB
Page 28	28_USB20x2
Page 29	29.DP to HDMI
Page 30	30.USB30x2+HDMI
Page 31	31.HDMI_RX
Page 32	32.PCIE TO RJ45_RTL8125B_1
Page 33	33.PCIE TO RJ45_RTL8125B_2
Page 34	34_PCIE-PCIE20_Slot-Ekey
Page 35	35_PCIE-PCIE20_Slot-Mkey
Page 36	36_eDP_TX
Page 37	37_PCIE_X2 ASM1164
Page 38	38_FAN_LED_KEY



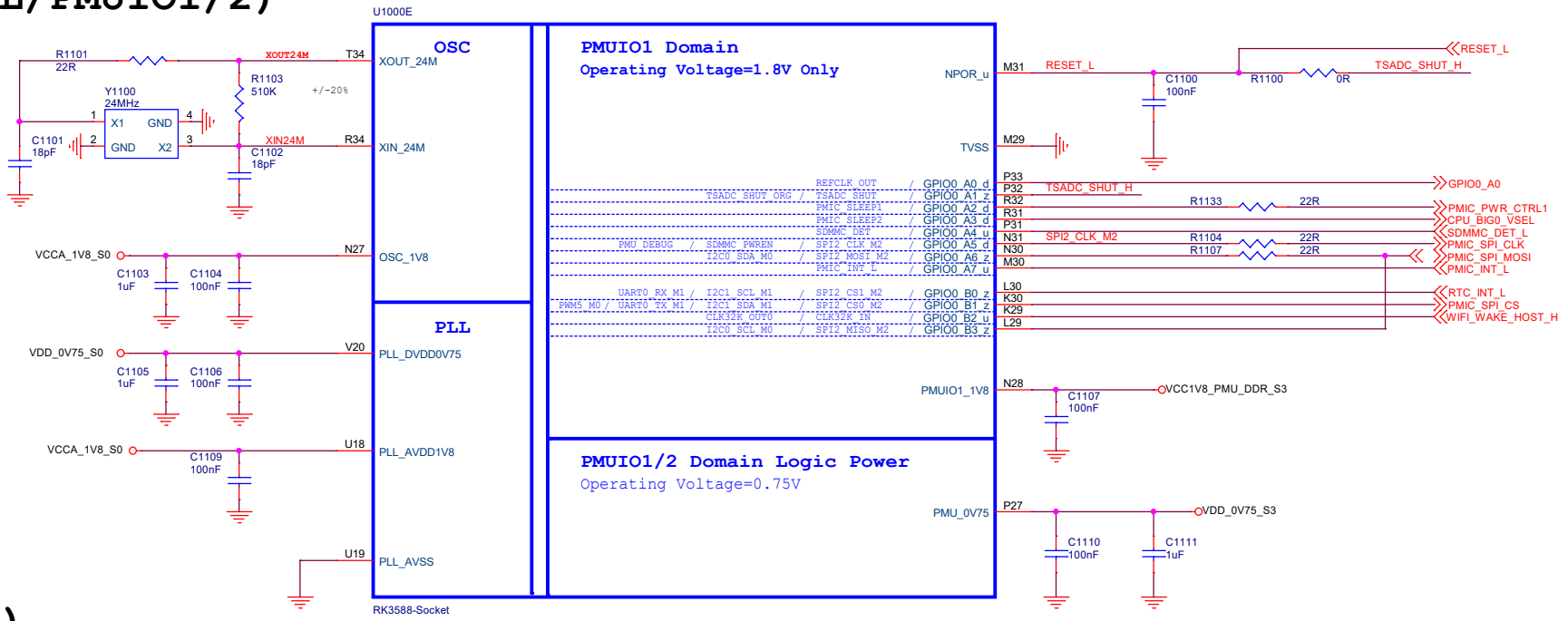
Size	Title: ROCK 5 ITX	REV
A3	Page Name: 02.INDEX	V1.11
Date: Thursday, February 29, 2024	Sheet 02 of 38	



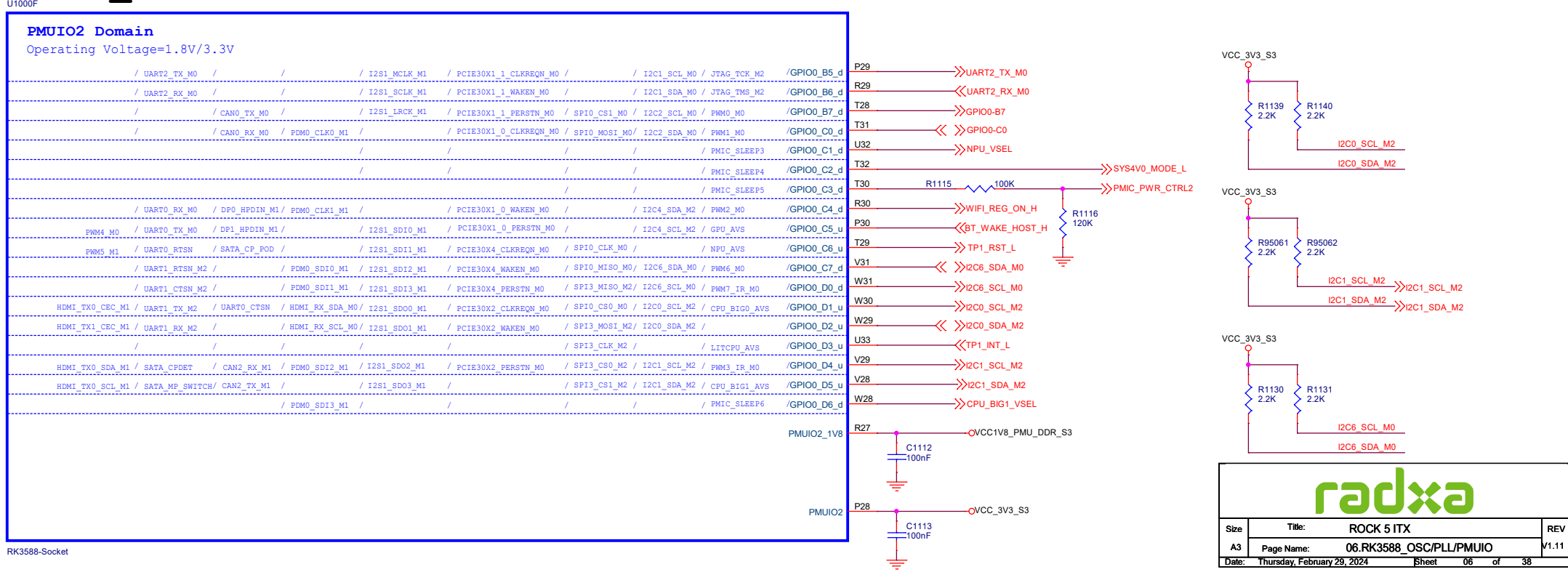


U10002		U1000X		U1000W		U1000Y	
H28	AVSS_1	AH12	VSS_107	A1	VSS_1	F15	VSS_213
H27	AVSS_2	AH15	VSS_108	A14	VSS_2	F19	VSS_214
J28	AVSS_3	AK12	VSS_109	A11	VSS_3	F16	VSS_215
J29	AVSS_4	AK15	VSS_110	A14	VSS_4	F20	VSS_216
J32	AVSS_5	AK23	VSS_111	B1	VSS_5	F21	VSS_217
K26	AVSS_6	AK3	VSS_112	B10	VSS_6	F22	VSS_218
K31	AVSS_7	AK8	VSS_113	B24	VSS_7	F23	VSS_219
K32	AVSS_8	AK9	VSS_114	B33	VSS_8	F27	VSS_220
L26	AVSS_9	AK11	VSS_115	C4	VSS_9	G3	VSS_221
L31	AVSS_10	AK12	VSS_116	C4	VSS_10	G10	VSS_222
M26	AVSS_11	AK16	VSS_117	C5	VSS_11	G15	VSS_223
M32	AVSS_12	AK16	VSS_118	C6	VSS_12	G19	VSS_224
AA8	AVSS_13	AK18	VSS_119	C7	VSS_13	G22	VSS_225
AA10	AVSS_14	AK21	VSS_120	C8	VSS_14	G24	VSS_226
AB6	AVSS_15	AK22	VSS_121	C9	VSS_15	G25	VSS_227
AB7	AVSS_16	AK23	VSS_122	C10	VSS_16	G27	VSS_228
AB8	AVSS_17	AK4	VSS_123	C11	VSS_17	H3	VSS_229
AB10	AVSS_18	AK5	VSS_124	C12	VSS_18	H6	VSS_230
AC5	AVSS_19	AK7	VSS_125	C13	VSS_19	H7	VSS_231
AC8	AVSS_20	AK10	VSS_126	C14	VSS_20	H10	VSS_232
AD5	AVSS_21	AK11	VSS_127	C15	VSS_21	H12	VSS_233
AD8	AVSS_22	AK12	VSS_128	C16	VSS_22	H19	VSS_234
AD10	AVSS_23	AK13	VSS_129	C17	VSS_23	H21	VSS_235
AE6	AVSS_24	AK14	VSS_130	C18	VSS_24	H22	VSS_236
AE7	AVSS_25	AK23	VSS_131	C19	VSS_25	H25	VSS_237
AE9	AVSS_26	AK4	VSS_132	C20	VSS_26	H26	VSS_238
AF4	AVSS_27	AK5	VSS_133	C21	VSS_27	H28	VSS_239
AF7	AVSS_28	AK7	VSS_134	C22	VSS_28	J4	VSS_240
AF8	AVSS_29	AK13	VSS_135	C23	VSS_29	J5	VSS_241
AF11	AVSS_30	AK15	VSS_136	C24	VSS_30	J10	VSS_242
AF12	AVSS_31	AK23	VSS_137	C25	VSS_31	J19	VSS_243
AF13	AVSS_32	AK4	VSS_138	C26	VSS_32	J21	VSS_244
AF14	AVSS_33	AK8	VSS_139	C27	VSS_33	J23	VSS_245
AF15	AVSS_34	AK18	VSS_140	C28	VSS_34	J24	VSS_246
AF16	AVSS_35	AK19	VSS_141	C29	VSS_35	J28	VSS_247
AF21	AVSS_36	AK20	VSS_142	C30	VSS_36	J31	VSS_248
AG3	AVSS_37	AK22	VSS_143	C31	VSS_37	J35	VSS_249
AG4	AVSS_38	AK23	VSS_144	C32	VSS_38	J37	VSS_250
AG5	AVSS_39	AK4	VSS_145	C33	VSS_39	J41	VSS_251
AG7	AVSS_40	AK7	VSS_146	C34	VSS_40	J42	VSS_252
AG10	AVSS_41	AK13	VSS_147	C35	VSS_41	J43	VSS_253
AG12	AVSS_42	AK15	VSS_148	C36	VSS_42	J44	VSS_254
AG15	AVSS_43	AK18	VSS_149	C37	VSS_43	J45	VSS_255
AG18	AVSS_44	AK19	VSS_150	C38	VSS_44	J46	VSS_256
AG22	AVSS_45	AK20	VSS_151	C39	VSS_45	J47	VSS_257
AG24	AVSS_46	AK22	VSS_152	C40	VSS_46	J48	VSS_258
AG27	AVSS_47	AK4	VSS_153	C41	VSS_47	J49	VSS_259
AG28	AVSS_48	AK7	VSS_154	C42	VSS_48	J50	VSS_260
AG30	AVSS_49	AK13	VSS_155	C43	VSS_49	J51	VSS_261
AG32	AVSS_50	AK15	VSS_156	C44	VSS_50	J52	VSS_262
AG33	AVSS_51	AK18	VSS_157	C45	VSS_51	J53	VSS_263
AG34	AVSS_52	AK19	VSS_158	C46	VSS_52	J54	VSS_264
AG35	AVSS_53	AK20	VSS_159	C47	VSS_53	J55	VSS_265
AG36	AVSS_54	AK22	VSS_160	C48	VSS_54	J56	VSS_266
AG37	AVSS_55	AK23	VSS_161	C49	VSS_55	J57	VSS_267
AG38	AVSS_56	AK4	VSS_162	C50	VSS_56	J58	VSS_268
AG39	AVSS_57	AK7	VSS_163	C51	VSS_57	J59	VSS_269
AG40	AVSS_58	AK13	VSS_164	C52	VSS_58	J60	VSS_270
AG41	AVSS_59	AK15	VSS_165	C53	VSS_59	J61	VSS_271
AG42	AVSS_60	AK18	VSS_166	C54	VSS_60	J62	VSS_272
AG43	AVSS_61	AK19	VSS_167	C55	VSS_61	J63	VSS_273
AG44	AVSS_62	AK20	VSS_168	C56	VSS_62	J64	VSS_274
AG45	AVSS_63	AK22	VSS_169	C57	VSS_63	J65	VSS_275
AG46	AVSS_64	AK23	VSS_170	C58	VSS_64	J66	VSS_276
AG47	AVSS_65	AK4	VSS_171	C59	VSS_65	J67	VSS_277
AG48	AVSS_66	AK7	VSS_172	C60	VSS_66	J68	VSS_278
AG49	AVSS_67	AK13	VSS_173	C61	VSS_67	J69	VSS_279
AG50	AVSS_68	AK15	VSS_174	C62	VSS_68	J70	VSS_280
AG51	AVSS_69	AK18	VSS_175	C63	VSS_69	J71	VSS_281
AG52	AVSS_70	AK19	VSS_176	C64	VSS_70	J72	VSS_282
AG53	AVSS_71	AK20	VSS_177	C65	VSS_71	J73	VSS_283
AG54	AVSS_72	AK22	VSS_178	C66	VSS_72	J74	VSS_284
AG55	AVSS_73	AK23	VSS_179	C67	VSS_73	J75	VSS_285
AG56	AVSS_74	AK4	VSS_180	C68	VSS_74	J76	VSS_286
AG57	AVSS_75	AK7	VSS_181	C69	VSS_75	J77	VSS_287
AG58	AVSS_76	AK13	VSS_182	C70	VSS_76	J78	VSS_288
AG59	AVSS_77	AK15	VSS_183	C71	VSS_77	J79	VSS_289
AG60	AVSS_78	AK18	VSS_184	C72	VSS_78	J80	VSS_290
AG61	AVSS_79	AK19	VSS_185	C73	VSS_79	J81	VSS_291
AG62	AVSS_80	AK20	VSS_186	C74	VSS_80	J82	VSS_292
AG63	AVSS_81	AK22	VSS_187	C75	VSS_81	J83	VSS_293
AG64	AVSS_82	AK23	VSS_188	C76	VSS_82	J84	VSS_294
AG65	AVSS_83	AK4	VSS_189	C77	VSS_83	J85	VSS_295
AG66	AVSS_84	AK7	VSS_190	C78	VSS_84	J86	VSS_296
AG67	AVSS_85	AK13	VSS_191	C79	VSS_85	J87	VSS_297
AG68	AVSS_86	AK15	VSS_192	C80	VSS_86	J88	VSS_298
AG69	AVSS_87	AK18	VSS_193	C81	VSS_87	J89	VSS_299
AG70	AVSS_88	AK19	VSS_194	C82	VSS_88	J90	VSS_300
AG71	AVSS_89	AK20	VSS_195	C83	VSS_89	J91	VSS_301
AG72	AVSS_90	AK22	VSS_196	C84	VSS_90	J92	VSS_302
AG73	AVSS_91	AK23	VSS_197	C85	VSS_91	J93	VSS_303
AG74	AVSS_92	AK4	VSS_198	C86	VSS_92	J94	VSS_304
AG75	AVSS_93	AK7	VSS_199	C87	VSS_93	J95	VSS_305
AG76	AVSS_94	AK13	VSS_200	C88	VSS_94	J96	VSS_306
AG77	AVSS_95	AK15	VSS_201	C89	VSS_95	J97	VSS_307
AG78	AVSS_96	AK18	VSS_202	C90	VSS_96	J98	VSS_308
AG79	AVSS_97	AK19	VSS_203	C91	VSS_97	J99	VSS_309
AG80	AVSS_98	AK20	VSS_204	C92	VSS_98	J100	VSS_310
AG81	AVSS_99	AK22	VSS_205	C93	VSS_99	J101	VSS_311
AG82	AVSS_100	AK23	VSS_206	C94	VSS_100	J102	VSS_312
AG83	AVSS_101	AK4	VSS_207	C95	VSS_101	J103	VSS_313
AG84	AVSS_102	AK7	VSS_208	C96	VSS_102	J104	VSS_314
AG85	AVSS_103	AK13	VSS_209	C97	VSS_103	J105	VSS_315
AG86	AVSS_104	AK15	VSS_210	C98	VSS_104	J106	VSS_316
AG87	AVSS_105	AK18	VSS_211	C99	VSS_105	J107	VSS_317
AG88	AVSS_106	AK19	VSS_212	C100	VSS_106	J108	VSS_318
AG89	AVSS_107	AK20	VSS_213	C101	VSS_107	J109	VSS_319
AG90	AVSS_108	AK22	VSS_214	C102	VSS_108	J110	VSS_320
AG91	AVSS_109	AK23	VSS_215	C103	VSS_109	J111	VSS_321
AG92	AVSS_110	AK4	VSS_216	C104	VSS_110	J112	VSS_322
AG93	AVSS_111	AK7	VSS_217	C105	VSS_111	J113	VSS_323
AG94	AVSS_112	AK13	VSS_218	C106	VSS_112	J114	VSS_324
AG95	AVSS_113	AK15	VSS_219	C107	VSS_113	J115	VSS_325
AG96	AVSS_114	AK18	VSS_220	C108	VSS_114	J116	VSS_326
AG97	AVSS_115	AK19	VSS_221	C109	VSS_115	J117	VSS_327
AG98	AVSS_116	AK20	VSS_222	C110	VSS_116	J118	VSS_328
AG99	AVSS_117	AK22	VSS_223	C111	VSS_117	J119	VSS_329
AG100	AVSS_118	AK23	VSS_224	C112	VSS_118	J120	VSS_330
AG101	AVSS_119	AK4	VSS_225	C113	VSS_119	J121	VSS_331
AG102	AVSS_120	AK7	VSS_226	C114	VSS_120	J122	VSS_332
AG103	AVSS_121	AK13	VSS_227	C115	VSS_121	J123	VSS_333
AG104	AVSS_122	AK15	VSS_228	C116	VSS_122	J124	VSS_334
AG105	AVSS_123	AK18	VSS_229	C117	VSS_123	J125	VSS_335
AG106	AVSS_124	AK19	VSS_230	C118	VSS_124	J126	VSS_336
AG107	AVSS_125	AK20	VSS_231	C119	VSS_125	J127	VSS_337
AG108	AVSS_126	AK22	VSS_232	C120	VSS_126	J128	VSS_338
AG109	AVSS_127	AK23	VSS_233	C121	VSS_127	J129	VSS_339
AG110	AVSS_128	AK4	VSS_234	C122	VSS_128	J130	VSS_340
AG111	AVSS_129	AK7	VSS_235	C123	VSS_129	J131	VSS_341
AG112	AVSS_130	AK13	VSS_236	C124	VSS_130	J132	VSS_342
AG113	AVSS_131	AK15	VSS_237	C125	VSS_131	J133	VSS_343
AG114	AVSS_132	AK18	VSS_238	C126	VSS_132	J134	VSS_344
AG115	AVSS_133	AK19	VSS_239	C127	VSS_133	J135	VSS_345
AG116	AVSS_134	AK20	VSS_240	C128	VSS_134	J136	VSS_346
AG117	AVSS_135	AK22	VSS_241	C129	VSS_135	J137	VSS_347
AG118	AVSS_136	AK23	VSS_242	C130	VSS_136	J138	VSS_348
AG119	AVSS_137	AK4	VSS_243	C131	VSS_137	J139	VSS_349
AG120	AVSS_138	AK7	VSS_244	C132	VSS_138	J140	VSS_350
AG121	AVSS_139	AK13	VSS_245	C133	VSS_139	J141	VSS_351
AG122	AVSS_140	AK15	VSS_246	C134	VSS_140	J142	VSS_352
AG123	AVSS_141	AK18	VSS_247	C135	VSS_141	J143	VSS_353
AG124	AVSS_142	AK19	VSS_248	C136	VSS_142	J144	VSS_354
AG125	AVSS_143	AK20	VSS_249	C137	VSS_143	J145	VSS_355
AG126	AVSS_144	AK22	VSS_250	C138	VSS_144	J146	VSS_356
AG127	AVSS_145	AK23	VSS_251	C139	VSS_145	J147	VSS_357
AG128	AVSS_146	AK4	VSS_252	C140	VSS_146	J148	VSS_358
AG129	AVSS_147	AK7	VSS_253	C141	VSS_147	J149	VSS_359
AG130	AVSS_148	AK13	VSS_254	C142	VSS_148	J150	VSS_360
AG131	AVSS_149	AK15	VSS_255	C143	VSS_149	J151	VSS_361
AG132	AVSS_150	AK18	VSS_256	C144	VSS_150	J152	VSS_362
AG133	AVSS_151	AK19	VSS_257	C145	VSS_151	J153	VSS_363
AG134	AVSS_152	AK20	VSS_258	C146	VSS_152	J154	VSS_364
AG135	AVSS_153	AK22	VSS_259	C147	VSS_153	J155	VSS_365
AG136	AVSS_154	AK23	VSS_260	C148	VSS_154	J156	VSS_366
AG137	AVSS_155	AK4	VSS_261	C149	VSS_155	J157	VSS_367
AG138	AVSS_156	AK7	VSS_262	C150	VSS_156	J158	VSS_368
AG139	AVSS_157	AK13	VSS_263	C151	VSS_157	J159	VSS_369
AG140	AVSS_158	AK15	VSS_264	C152	VSS_158	J160	VSS_370
AG141	AVSS_159	AK18	VSS_265	C153	VSS_159	J161	VSS_371
AG142	AVSS_160	AK19	VSS_266	C154	VSS_160	J162	VSS_372
AG143	AVSS_161	AK20	VSS_267	C155	VSS_161	J163	VSS_373
AG							

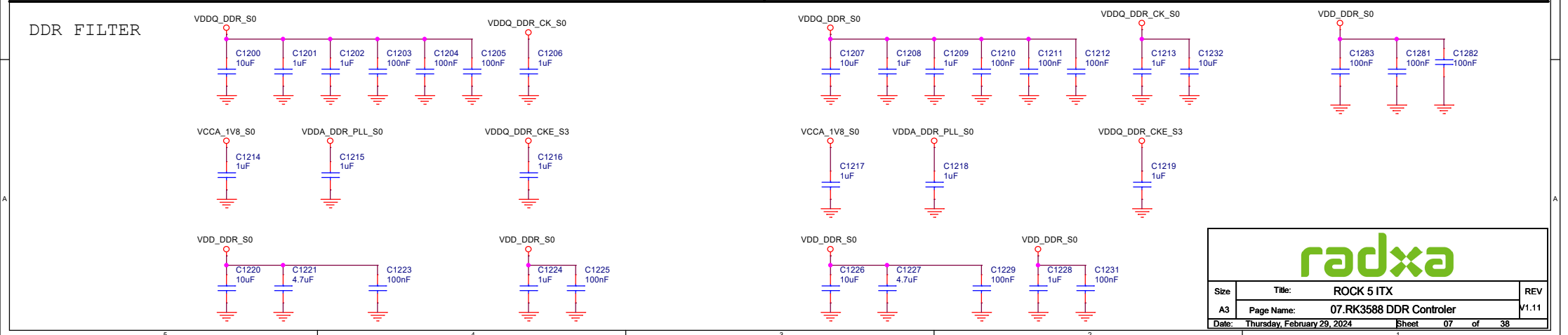
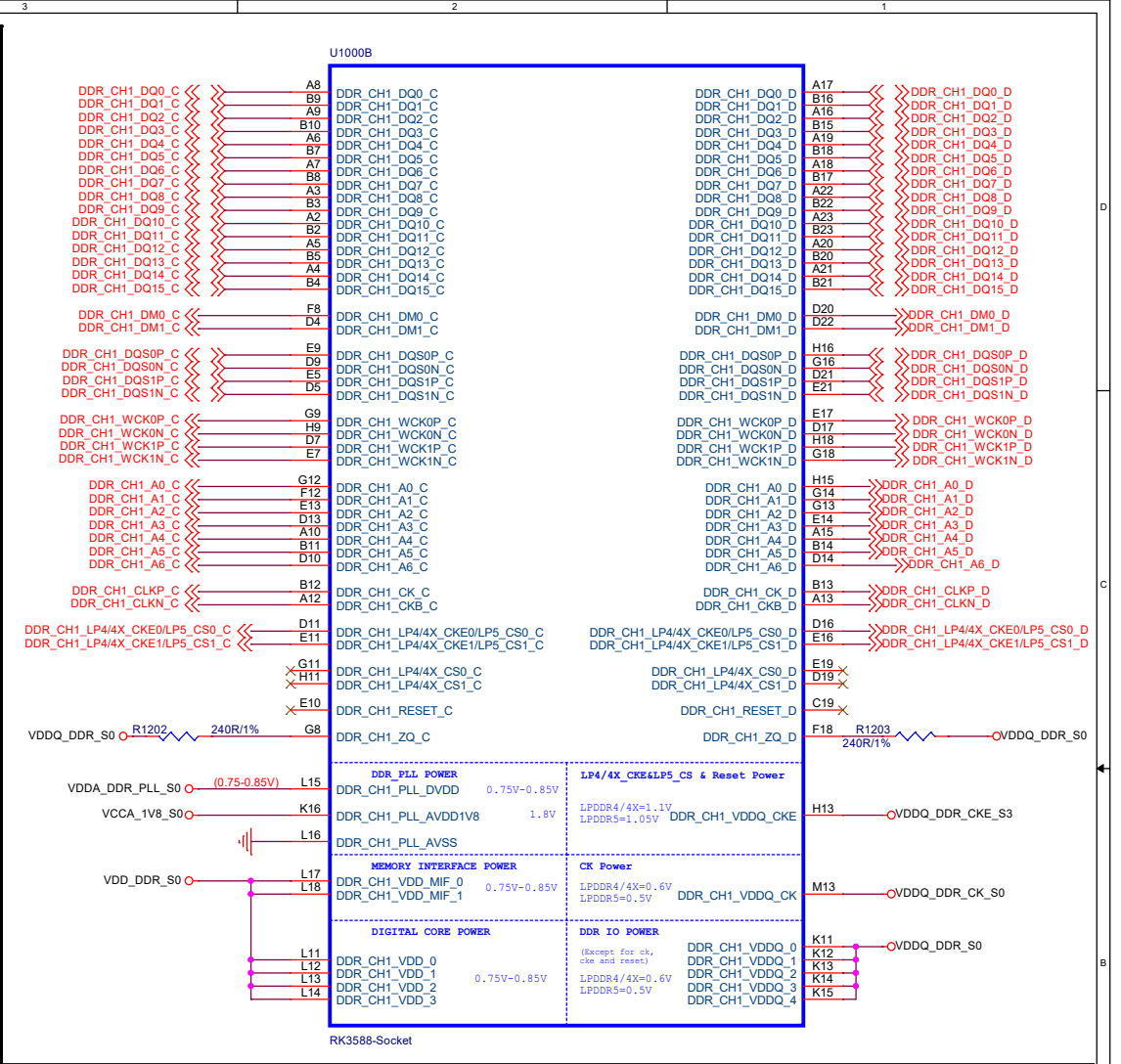
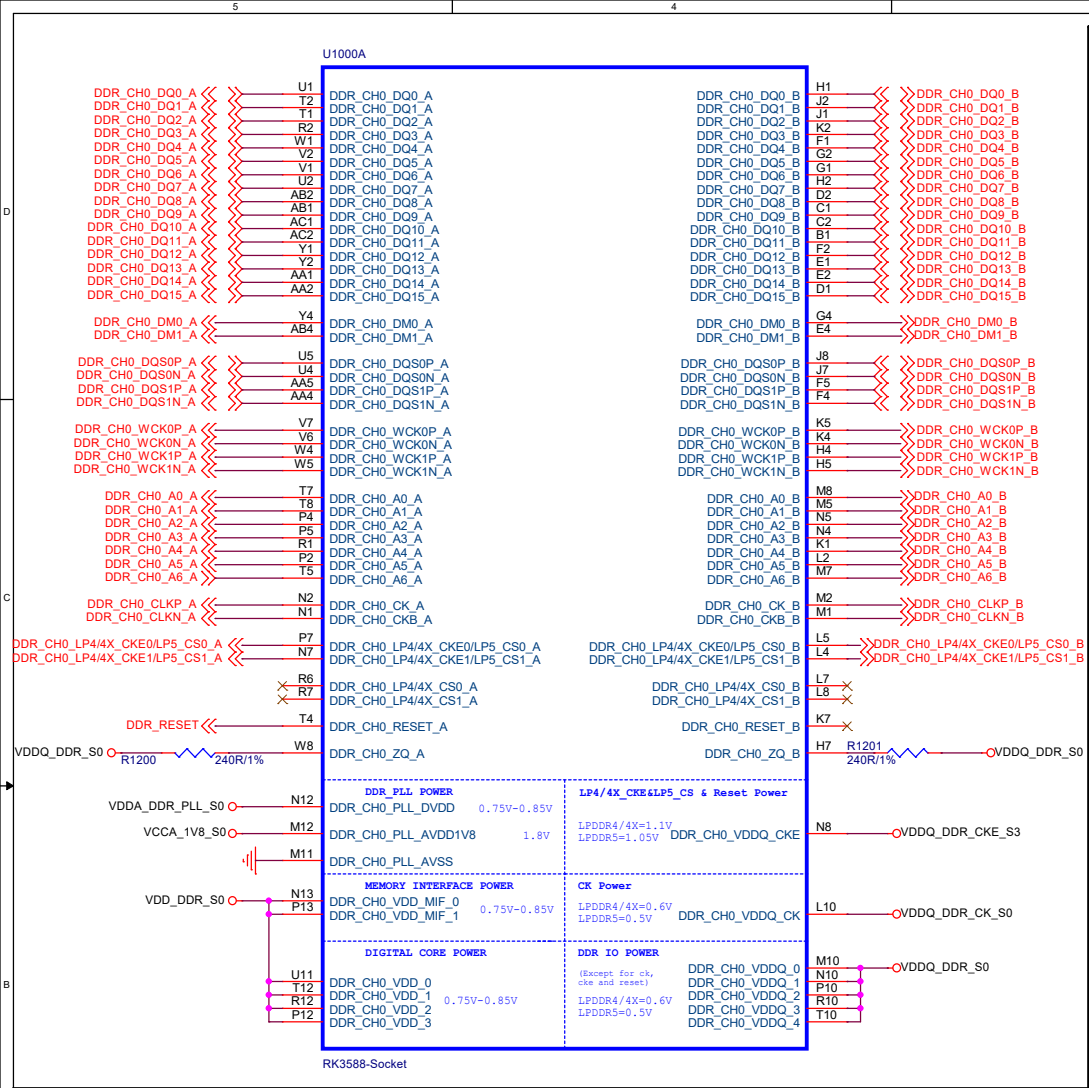
RK3588_E (OSC/PLL/PMUIO1/2)



RK3588_F (PMUIO2)



Size	Title: ROCK 5 ITX	REV
A3	Page Name: 06.RK3588_OSC/PLL/PMUIO	V1.11
Date: Thursday, February 29, 2024	Sheet 06 of 38	



radxa

Size	Title:	ROCK 5 ITX	REV
A3	Page Name:	07.RK3588 DDR Controller	V1.11
Date:	Thursday, February 29, 2024	Sheet	07 of 38

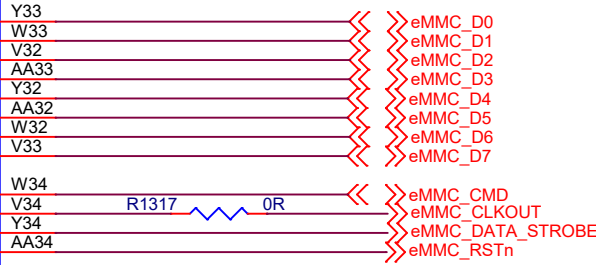
RK3588_C (EMMCIO Domain)

U1000C

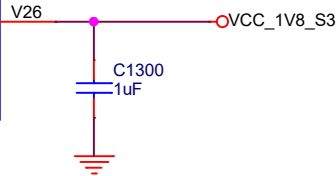
EMMCIO Domain

Operating Voltage=1.8V

FSPi D0 M0	/ EMMC D0	/ GPIO2 D0 u
FSPi D1 M0	/ EMMC D1	/ GPIO2 D1 u
FSPi D2 M0	/ EMMC D2	/ GPIO2 D2 u
FSPi D3 M0	/ EMMC D3	/ GPIO2 D3 u
UART5 RX M2	/ I2C1 SCL M3 / EMMC D4	/ GPIO2 D4 u
UART5 TX M2	/ I2C1 SDA M3 / EMMC D5	/ GPIO2 D5 u
FSPi CS0N M0	/ EMMC D6	/ GPIO2 D6 u
FSPi CS1N M0	/ EMMC D7	/ GPIO2 D7 u
FSPi CLK M0	/ EMMC CMD	/ GPIO2 A0 u
	/ EMMC CLKOUT	/ GPIO2 A1 d
UART5 CTSN M1	/ I2C2 SDA M2 / EMMC DATA STROBE	/ GPIO2 A2 d
UART5 RTSN M1	/ I2C2 SCL M2 / EMMC RSTN	/ GPIO2 A3 d



EMMCIO_1V8



RK3588-Socket

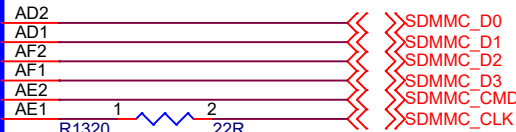
RK3588_D (VCCIO2 Domain)

U1000D

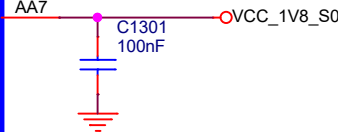
VCCIO2 Domain

Operating Voltage=1.8V/3.3V

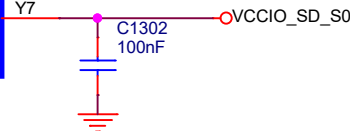
PWM8 M1	/ I2C3 SCL M4 / PDM1 SDI3 M0 / JTAG TCK M1	/ UART2 TX M1	/ SDMMC D0	/ GPIO4 D0 u
PWM9 M1	/ I2C3 SDA M4 / PDM1 SDI2 M0 / JTAG TMS M1	/ UART2 RX M1	/ SDMMC D1	/ GPIO4 D1 u
	/ I2C8 SCL M0 / PDM1 SDI1 M0 / JTAG TCK M0	/ UART5 CTSN M0	/ SDMMC D2	/ GPIO4 D2 u
PWM10 M1	/ I2C8 SDA M0 / PDM1 SDIO M0 / JTAG TMS M0	/ UART5 RTSN M0	/ SDMMC D3	/ GPIO4 D3 u
PWM7 IR M1	/ CAN0 TX M1 / PDM1 CLK1 M0 / MCU JTAG TCK M0	/ UART5 RX M0	/ SDMMC CMD	/ GPIO4 D4 u
TEST_CLKOUT M0	/ CAN0 RX M1 / PDM1 CLK0 M0 / MCU JTAG TMS M0	/ UART5 TX M0	/ SDMMC CLK	/ GPIO4 D5 d



VCCIO2_1V8



VCCIO2



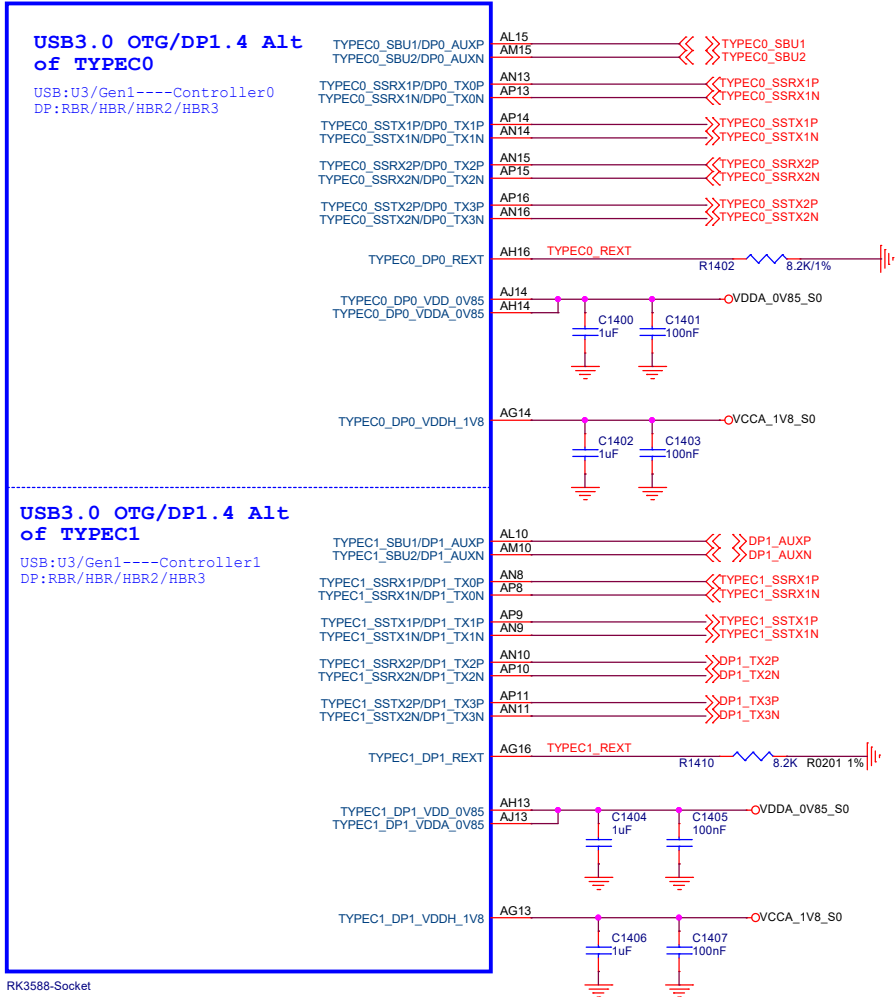
RK3588-Socket



Size	Title: ROCK 5 ITX	REV
A4	Page Name: 08.RK3588_Flash/SD Controller	V1.11
Date: Thursday, February 29, 2024	Sheet 08 of 38	

RK3588_M (TYPE-C/DP)

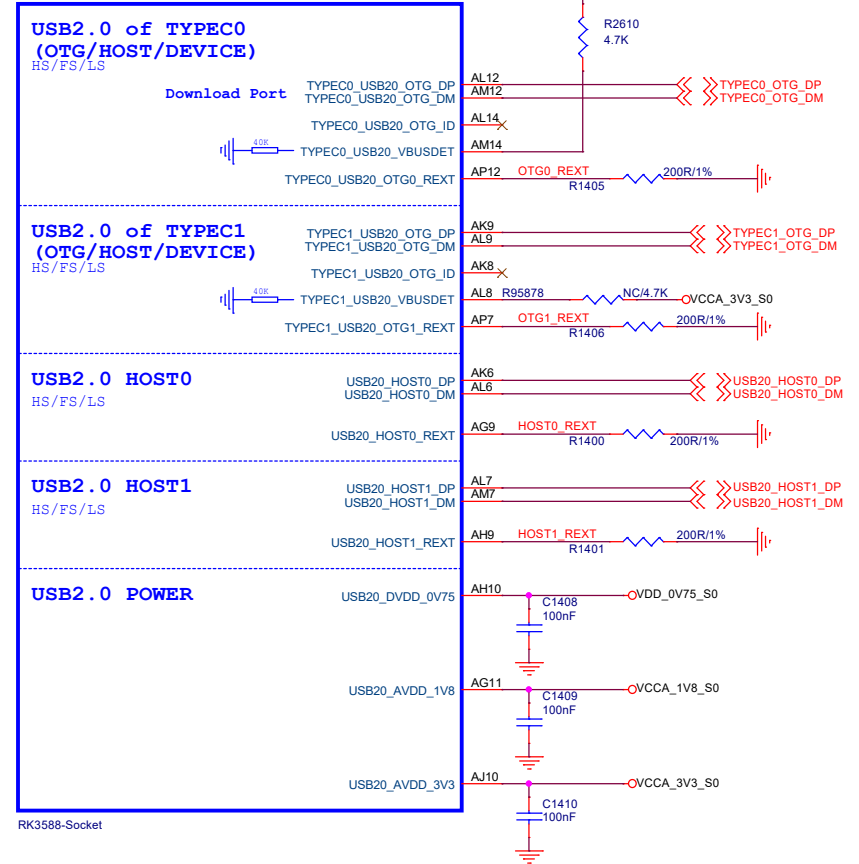
U1000M



RK3588-Socket

RK3588_L (USB2.0 HOST/OTG)

U1000L

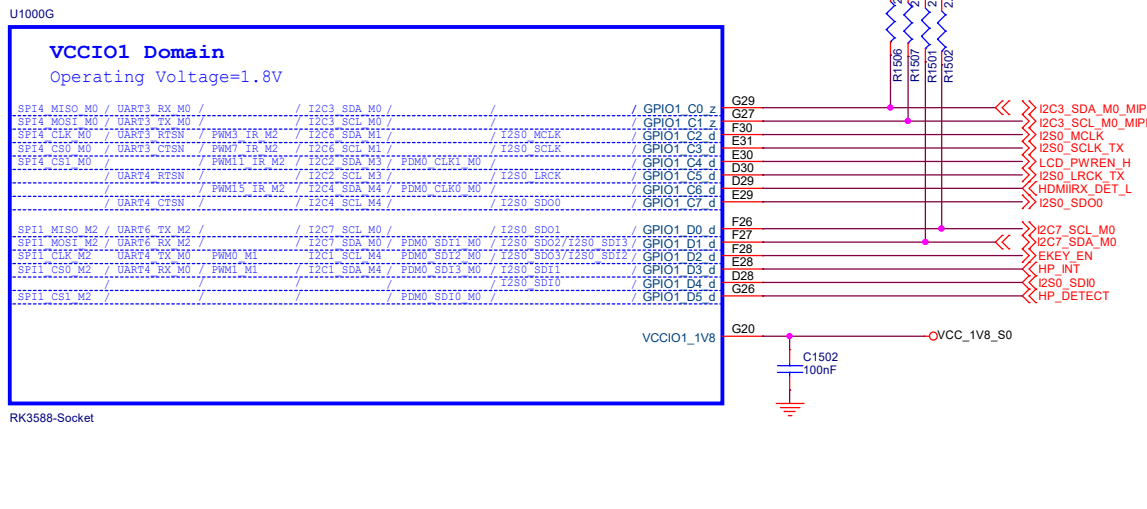


RK3588-Socket

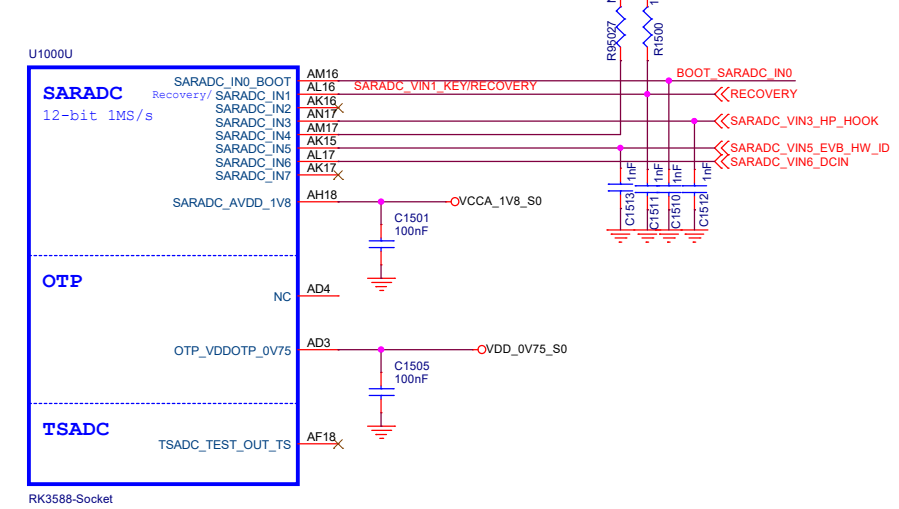


Size	Title: ROCK 5 ITX	REV
A3	Page Name: 09.RK3588_USB30/USB20_Ctrl	V1.11
Date: Thursday, February 29, 2024	Sheet 09 of 38	

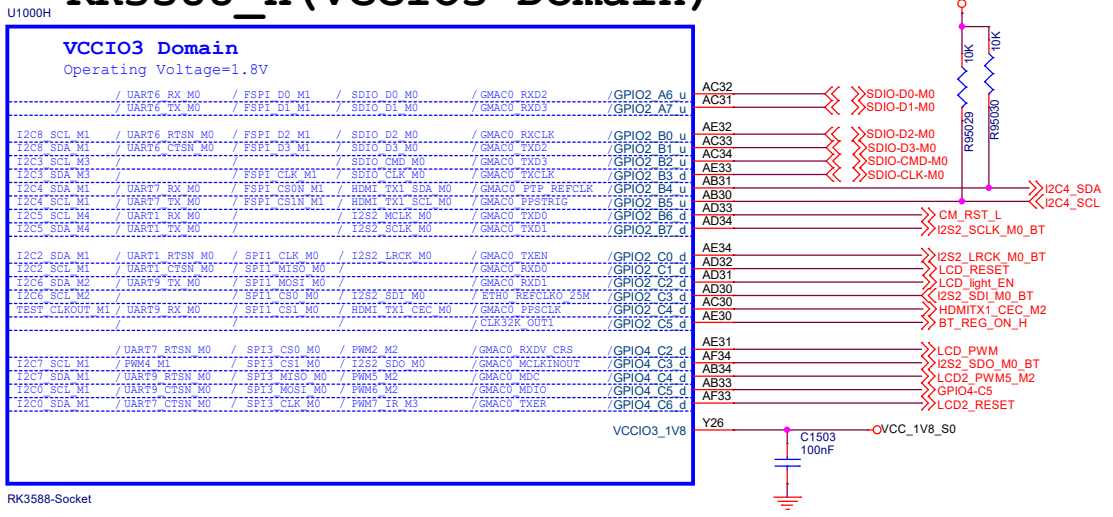
RK3588_G (VCCIO1 Domain)



RK3588_U (SARADC/OTP)



RK3588_H (VCCIO3 Domain)



BOOT MODE CONFIG TABLE 1

Item	Rup	Rdown	ADC	VOL	BOOT MODE
LEVEL1	DNP	100K	0	0V	USB (Maskrom mode)
LEVEL2	100K	20K	682	0.3V	SD Card-USB
LEVEL3	100K	51K	1365	0.6V	EMMC-USB
LEVEL4	100K	100K	2047	0.9V	FSPI M0-USB
LEVEL5	100K	200K	2730	1.2V	FSPI M1-USB
LEVEL6	100K	499K	3412	1.5V	FSPI M2-USB
LEVEL7	100K	DNP	4095	1.8V	FSPI_M2-FSPI_M1-FSPI_M0-EMMC-SD Card-USB

BOARD ID CONFIG TABLE 2

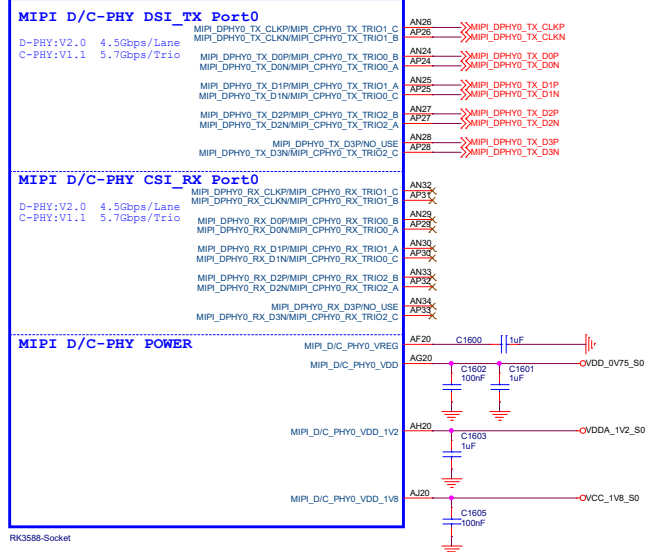
Item	Rup	Rdown	ADC	VOL	VERSION
LEVEL1	DNP	100K	0	0V	A
LEVEL2	100K	20K	682	0.3V	B
LEVEL3	100K	51K	1365	0.6V	C
LEVEL4	100K	100K	2047	0.9V	D
LEVEL5	100K	200K	2730	1.2V	E
LEVEL6	100K	499K	3412	1.5V	F
LEVEL7	100K	DNP	4095	1.8V	H

radxa

Size: A3
Title: ROCK 5 ITX
Page Name: 10.RK3588_SARADC/1.8V Only GPIO
Date: Thursday, February 29, 2024
REV: V1.11
Sheet: 10 of 38

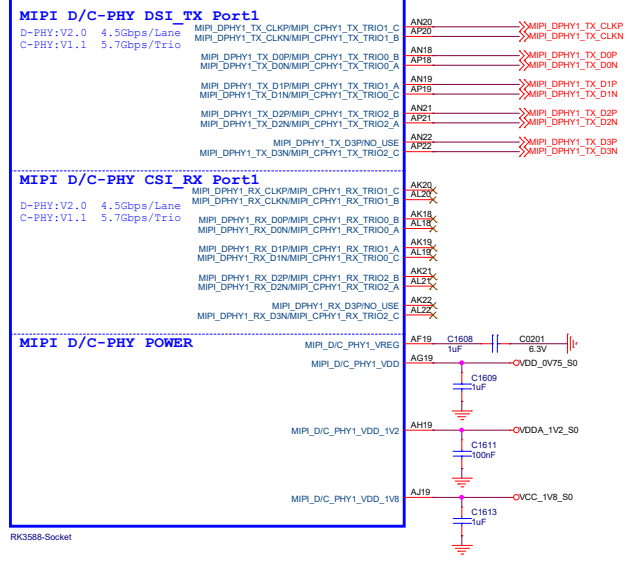
RK3588_Q/R(MIPI_D/C_PHY0/1)

U1000Q



RK3588-Socket

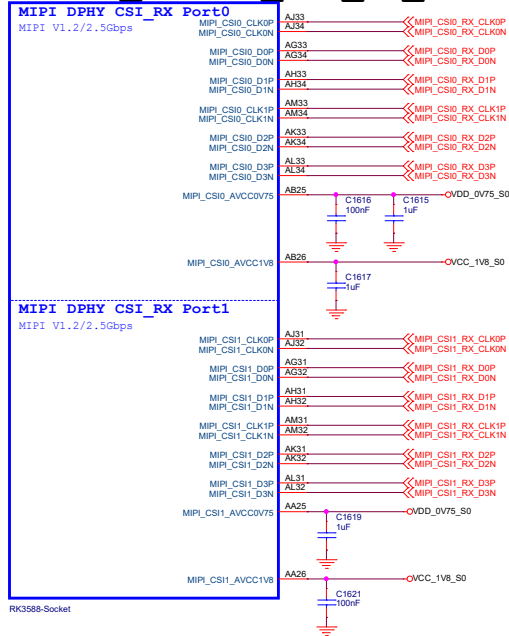
U1000R



RK3588-Socket

RK3588_P(MIPI CSI_RX_PHY)

U1000P



RK3588-Socket

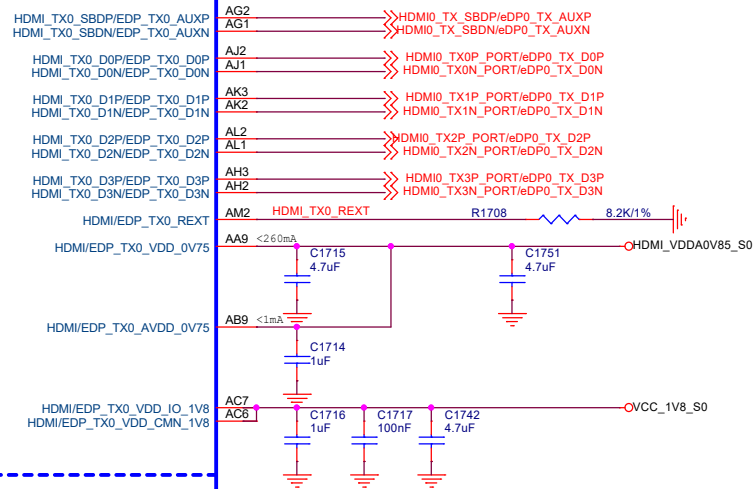


RK3588_S (HDMI 2.1 TX)

U1000S

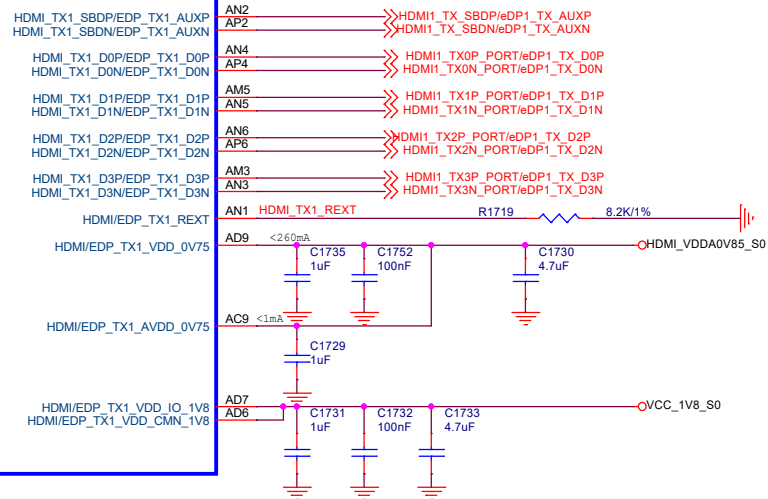
HDMI TX/eDP MUX Port0

HDMI: V2.1 12Gbps
eDP: V1.3 5.4Gbps



HDMI TX/eDP MUX Port1

HDMI: V2.1 12Gbps
eDP: V1.3 5.4Gbps



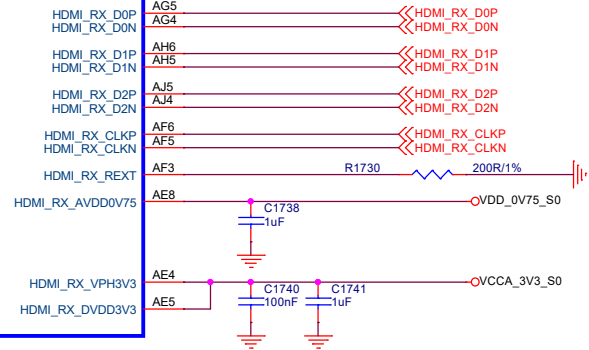
RK3588-Socket

RK3588_T (HDMI20 RX)

U1000T

HDMI RX

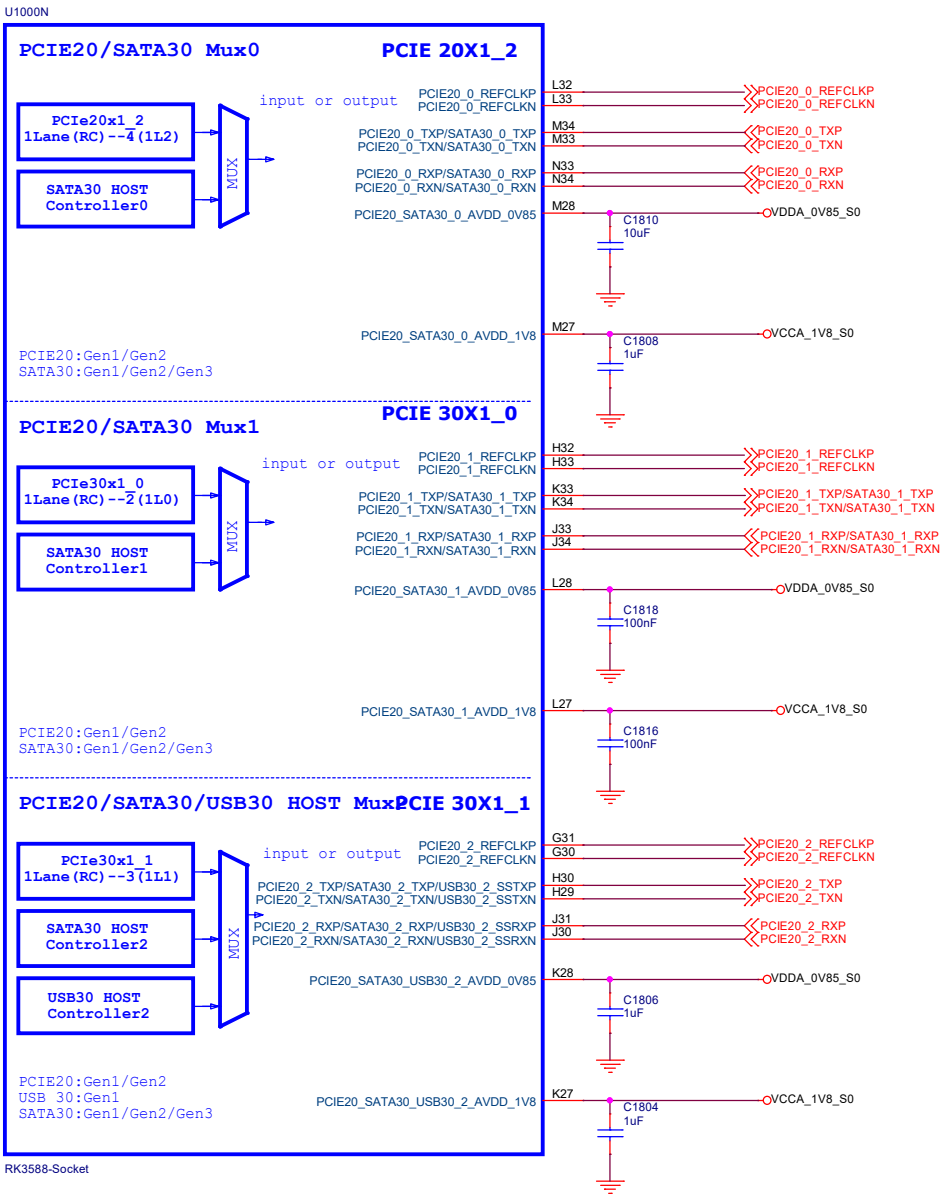
HDMI: V2.0



RK3588-Socket

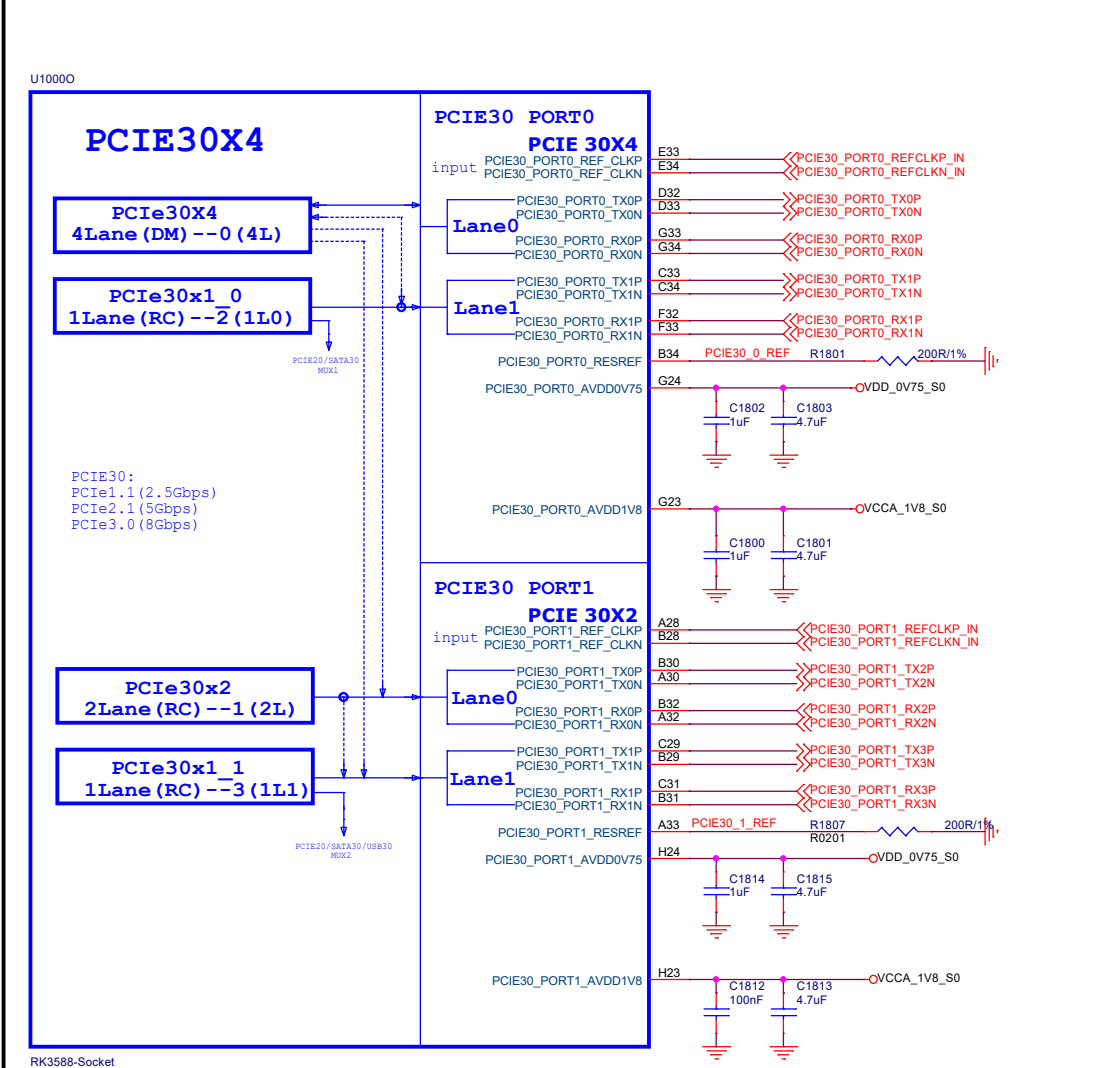


RK3588_N (PCIE20)




RK3588-Socket

RK3588_O (PCIE30)

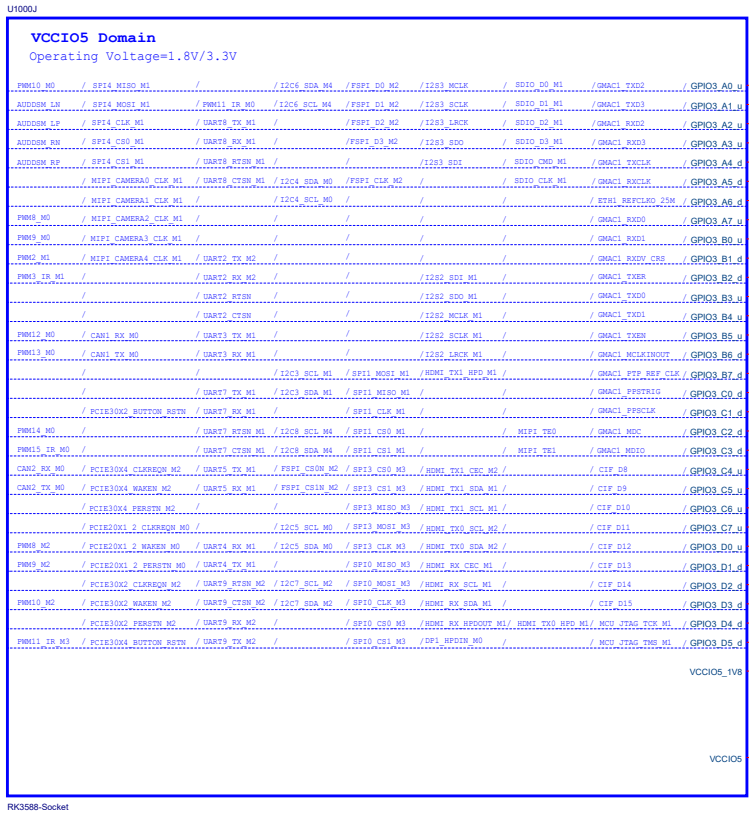


RK3588-Socket

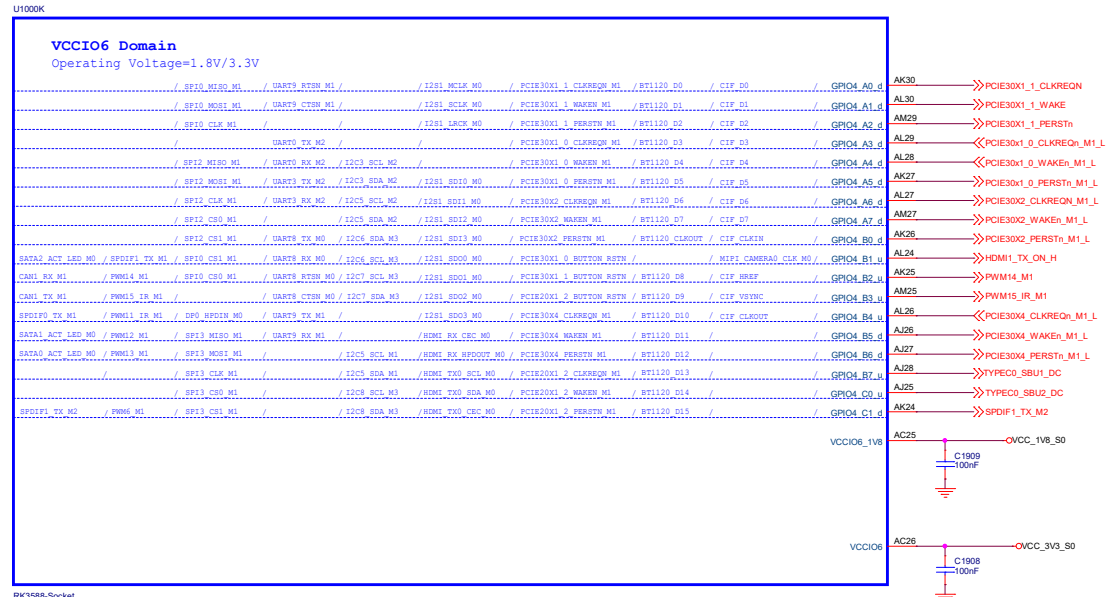


Size	Title:	ROCK 5 ITX	REV
A3	Page Name:	13.RK3588_PCIE30/PCIE20/SATA30	V1.11
Date:	Thursday, February 29, 2024	Sheet	13 of 38

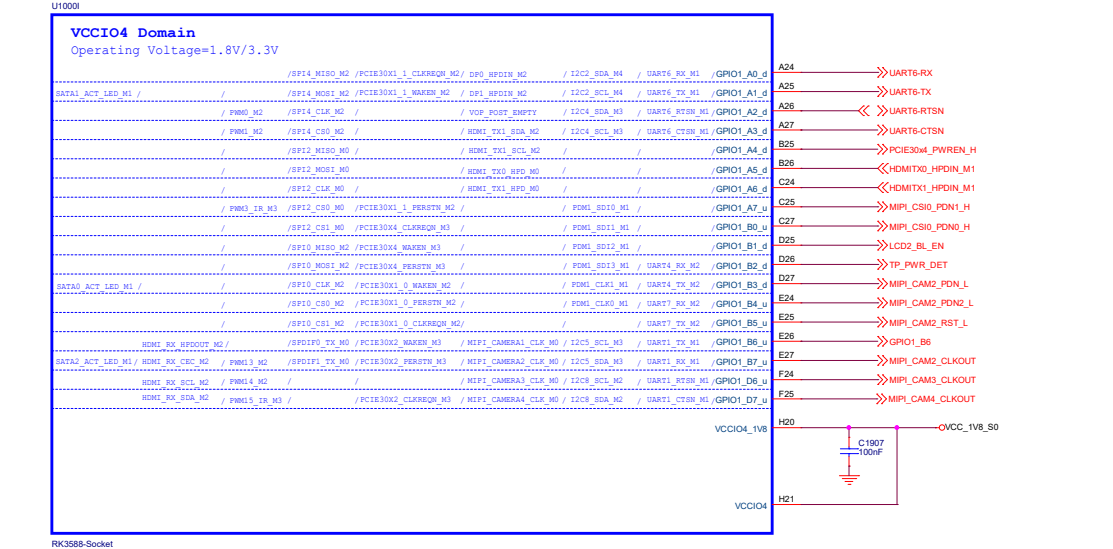
RK3588_J (VCCIO5 Domain)



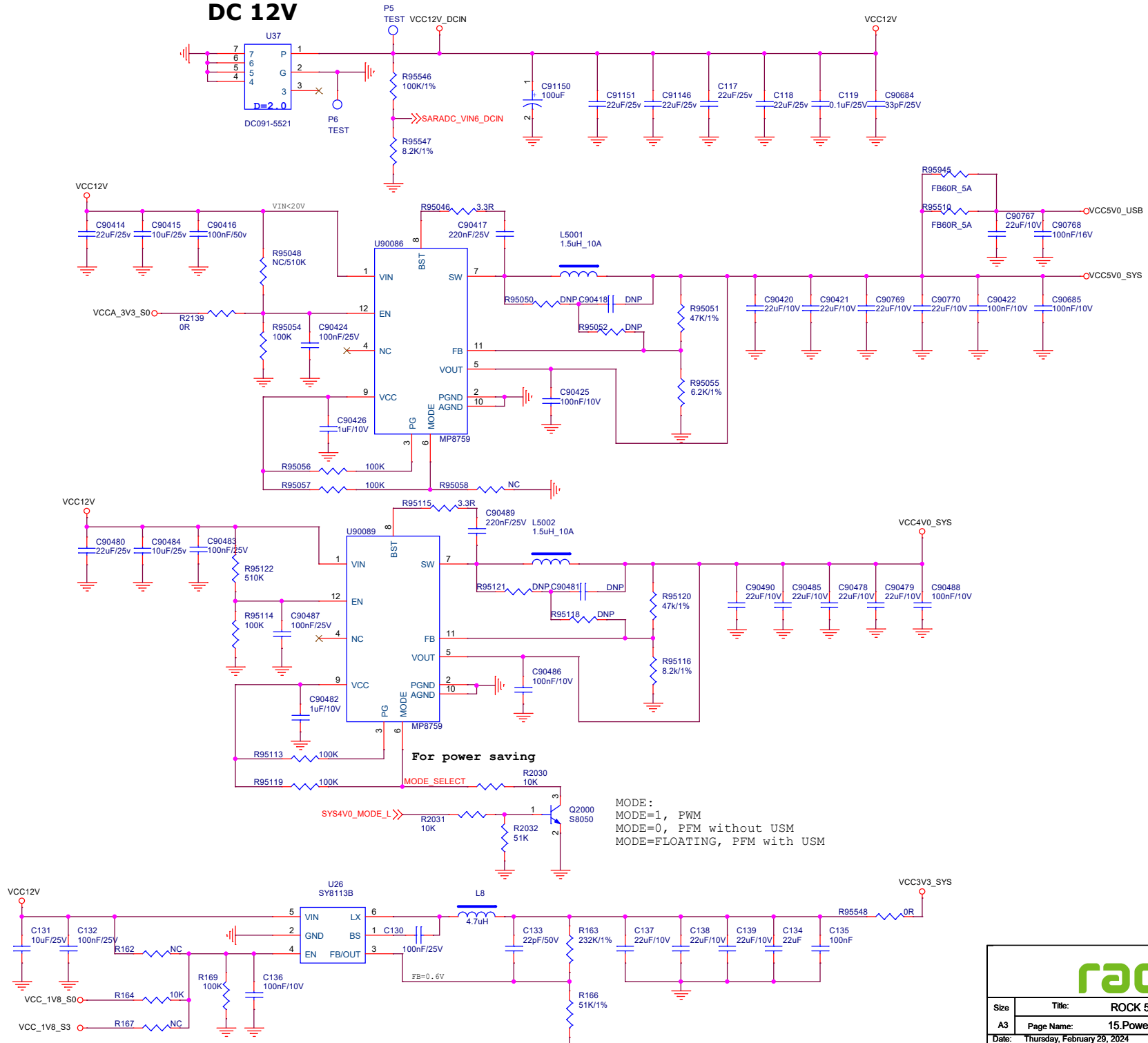

RK3588_K (VCCIO6 Domain)



RK3588_I (VCCIO4 Domain)

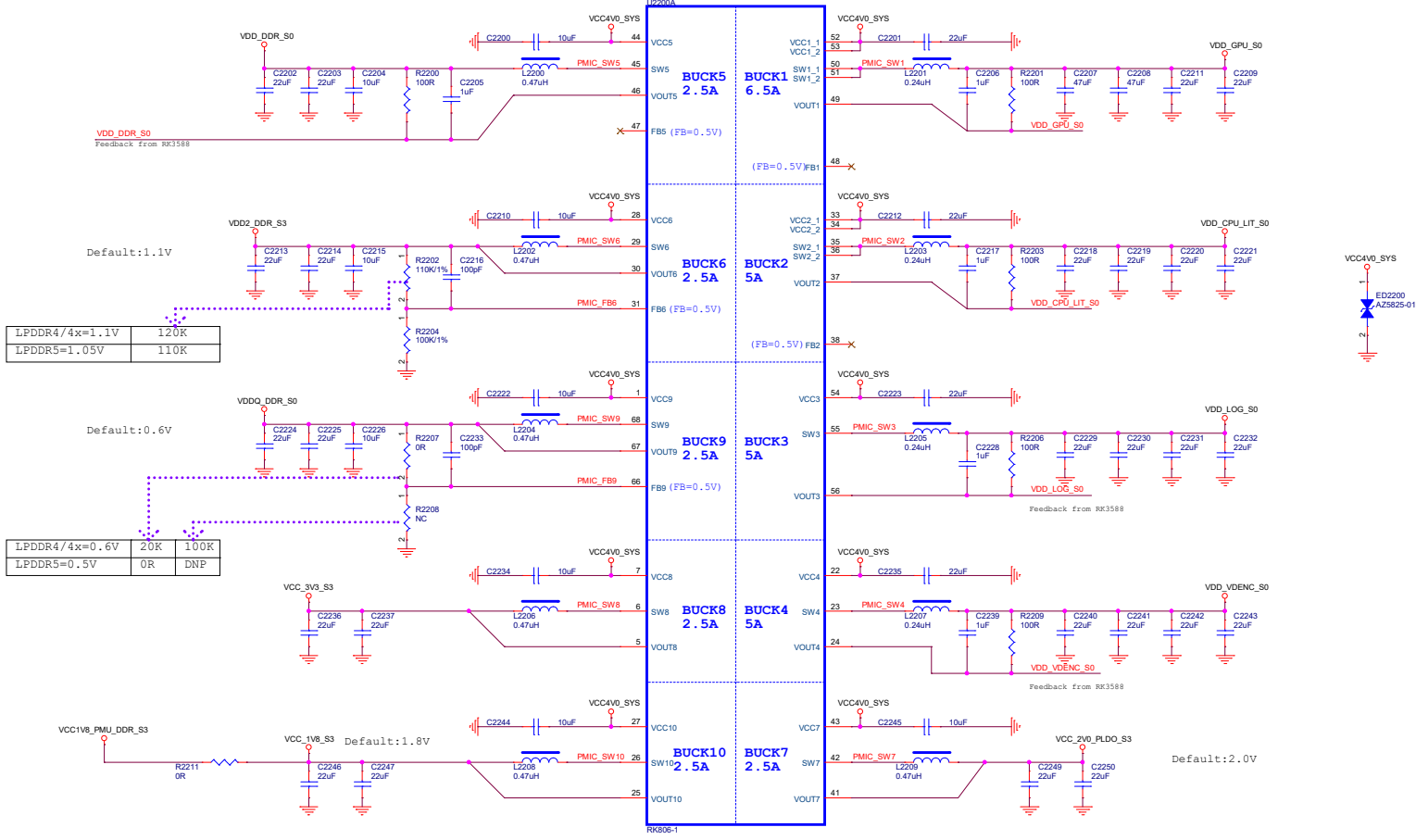


DC 12V

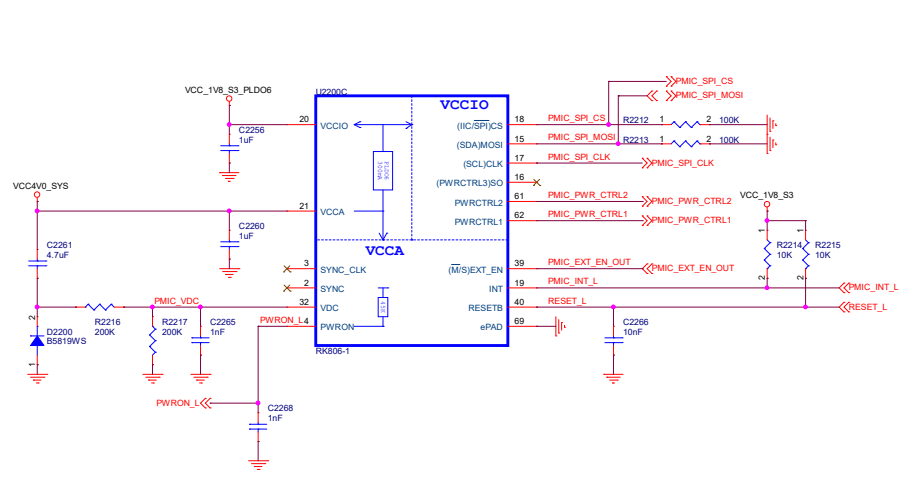



Size	Title: ROCK 5 ITX	REV
A3	Page Name: 15.Power_DC IN	V1.11
Date: Thursday, February 29, 2024	Sheet 15 of 38	

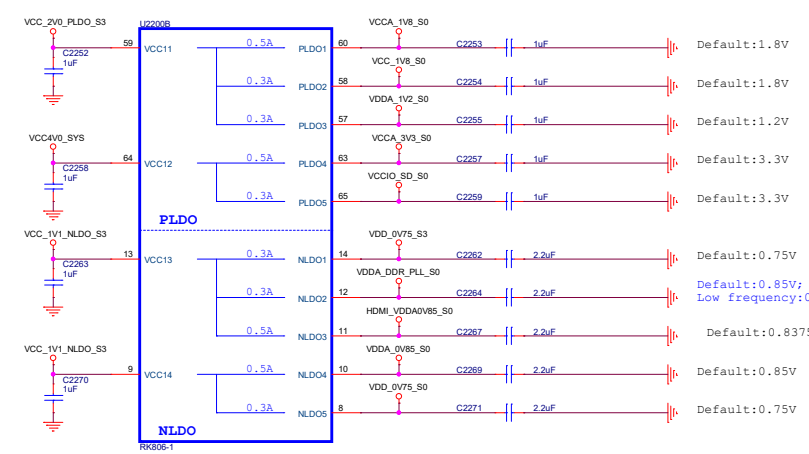
PMIC RK806-1 BUCK



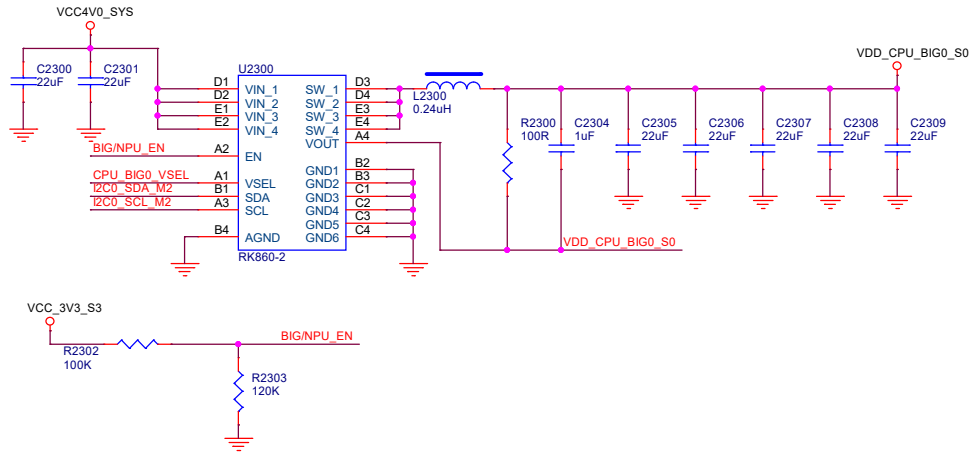
PMIC RK806-1 Management



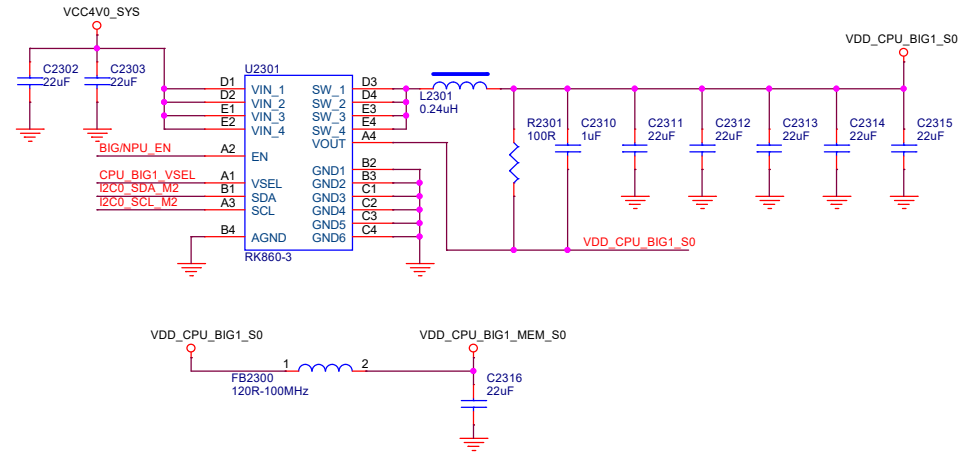
PMIC RK806-1 LDO



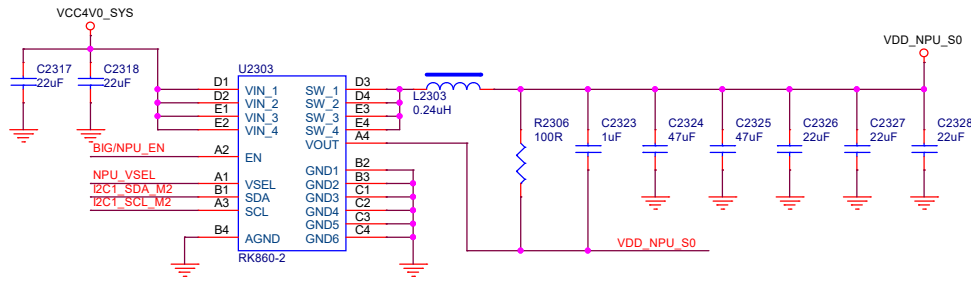
VDD_CPU_BIG0



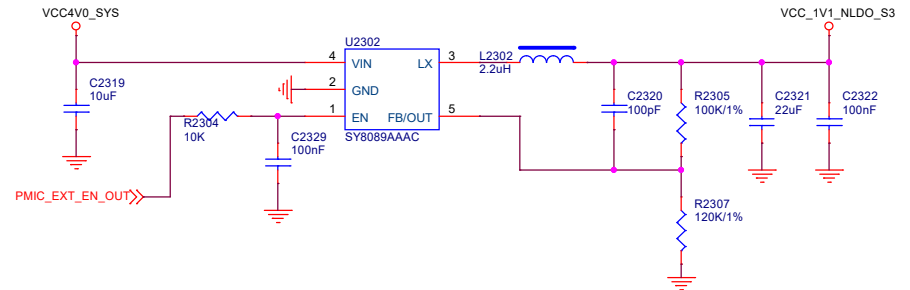
VDD_CPU_BIG1



VDD_NPU

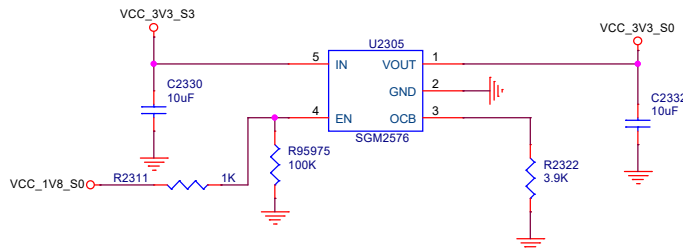


VCC_1V1_NLDO_S3



>>>I2C1_SCL_M2
 <<<I2C1_SDA_M2
 >>>I2C0_SCL_M2
 <<<I2C0_SDA_M2

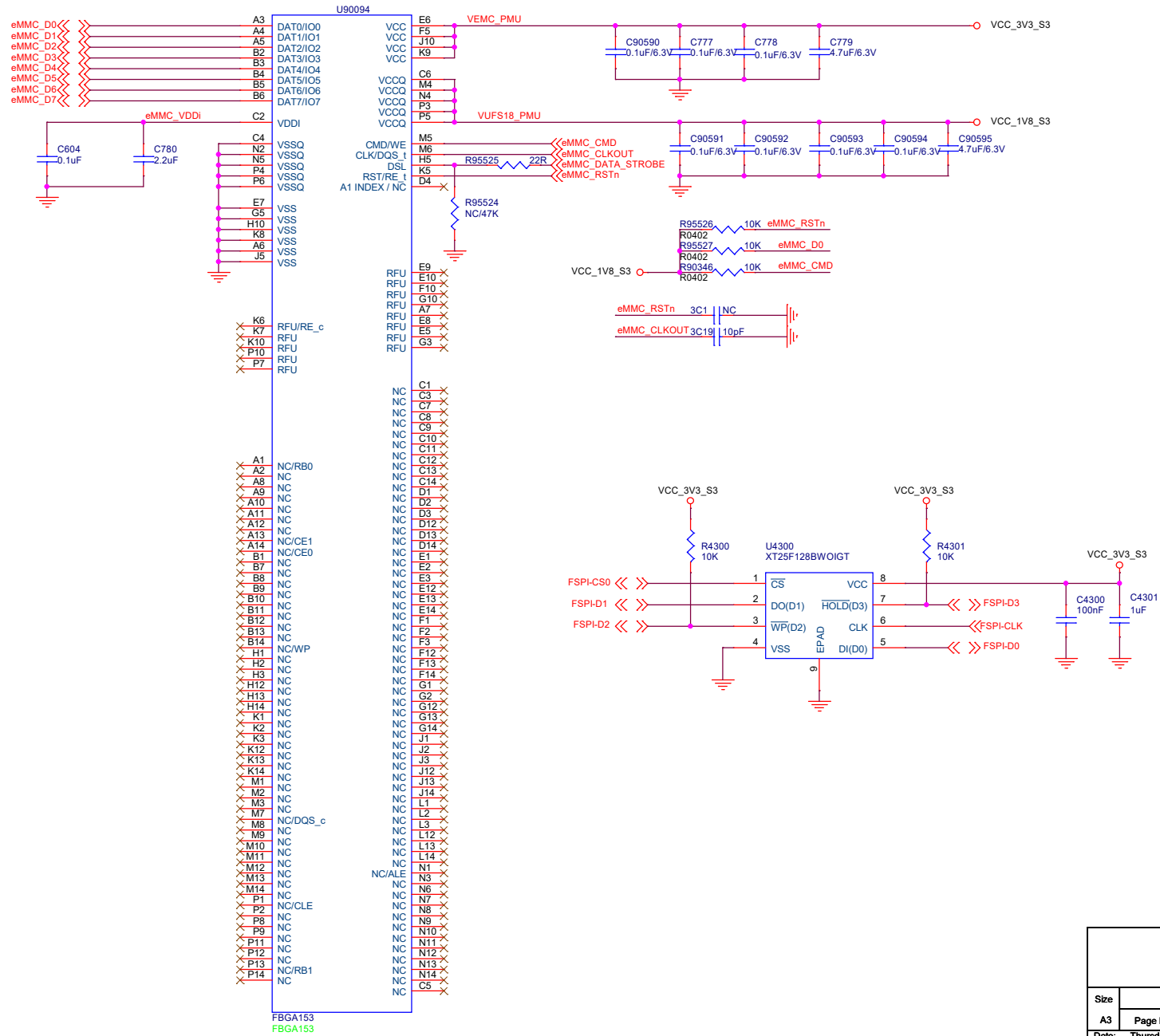
>>>CPU_BIG0_VSEL
 >>>CPU_BIG1_VSEL
 >>>NPU_VSEL



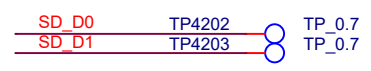
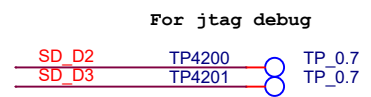
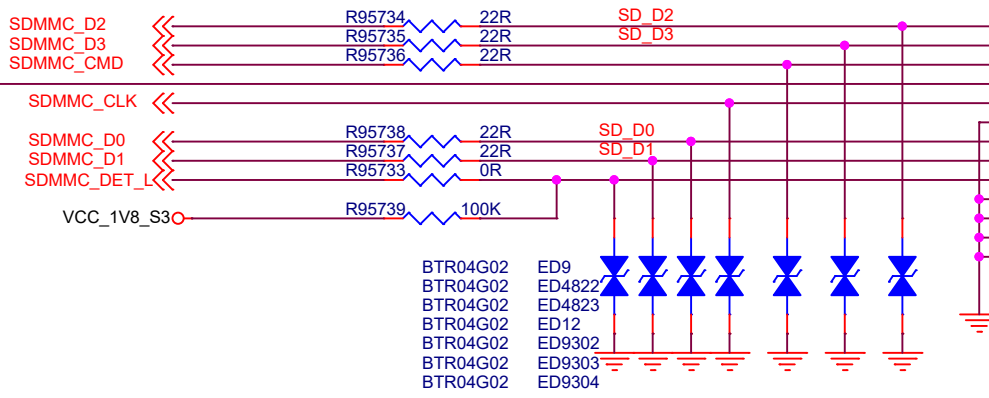
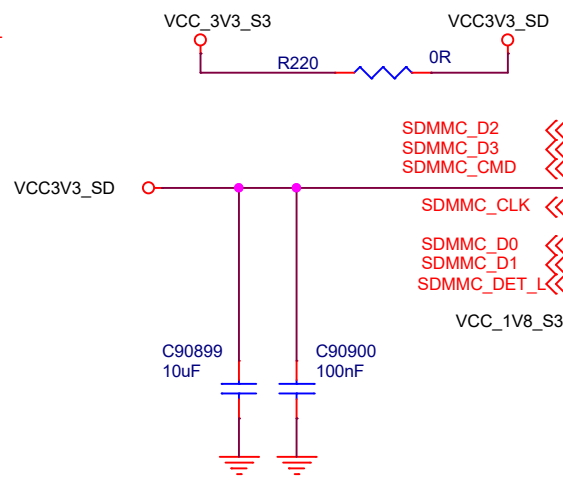
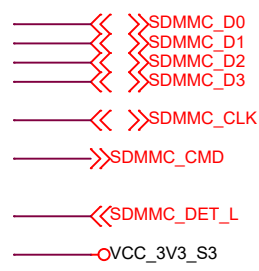
radxa

Size	Title: ROCK 5 ITX	REV
A3	Page Name: 18.Power_Ext Discrete	V1.11
Date: Thursday, February 29, 2024	Sheet 18 of 38	

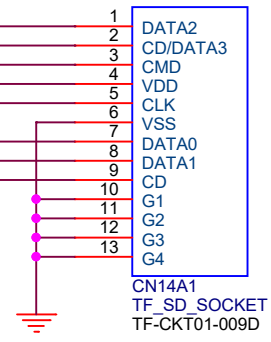
eMMC/FSPI FLASH



MicroSD Card



For jtag & uart debug



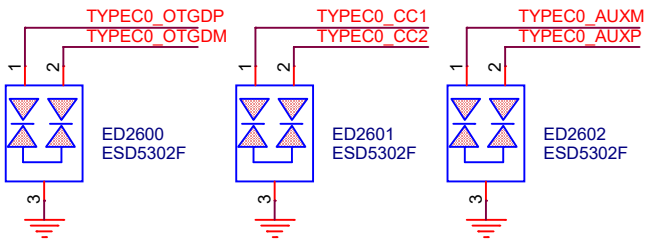
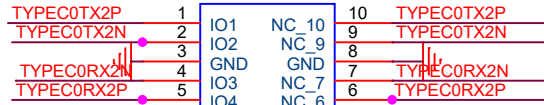
Size	Title: ROCK 5 ITX	REV
A4	Page Name: 20.MicroSD_Card	V1.11
Date: Thursday, February 29, 2024	Sheet 20 of 38	

Type-C PORT

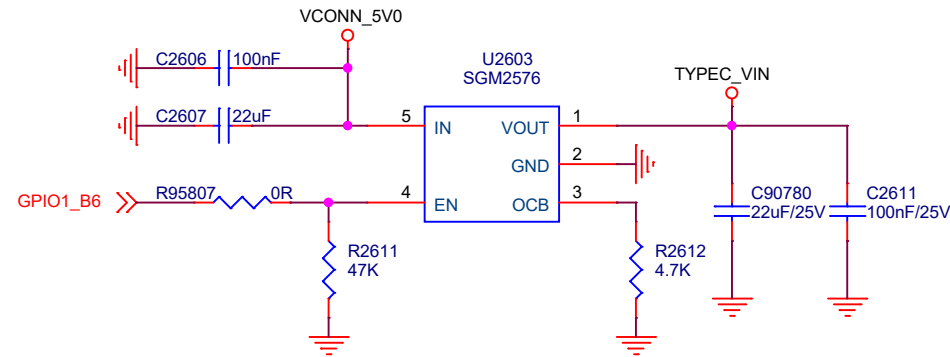
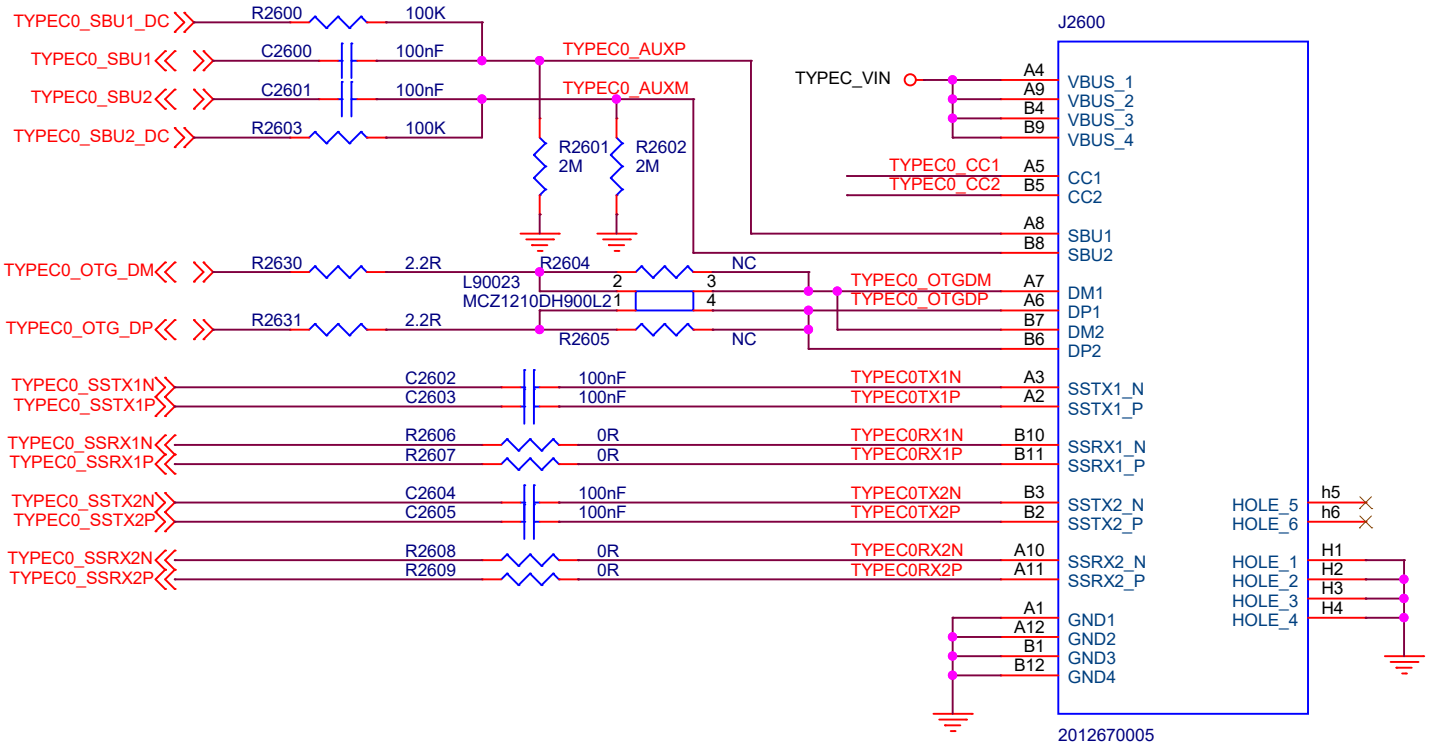
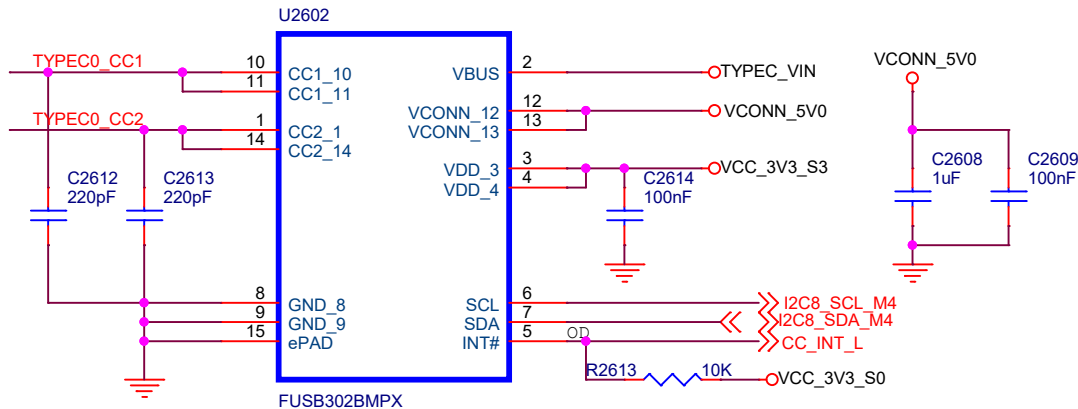
U2600
ESD73034D



U2601
ESD73034D



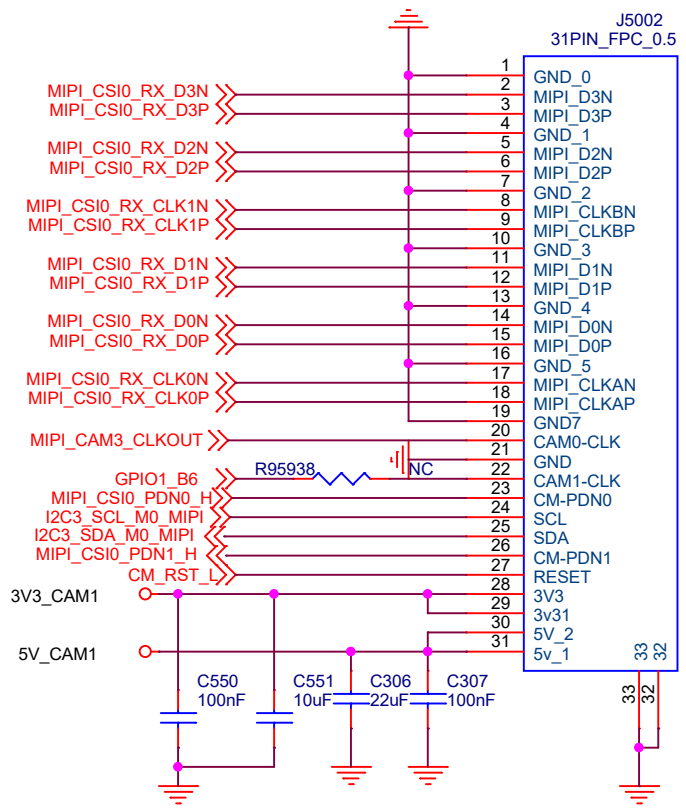
VCC5V0_USB — R95806 0R — VCONN_5V0



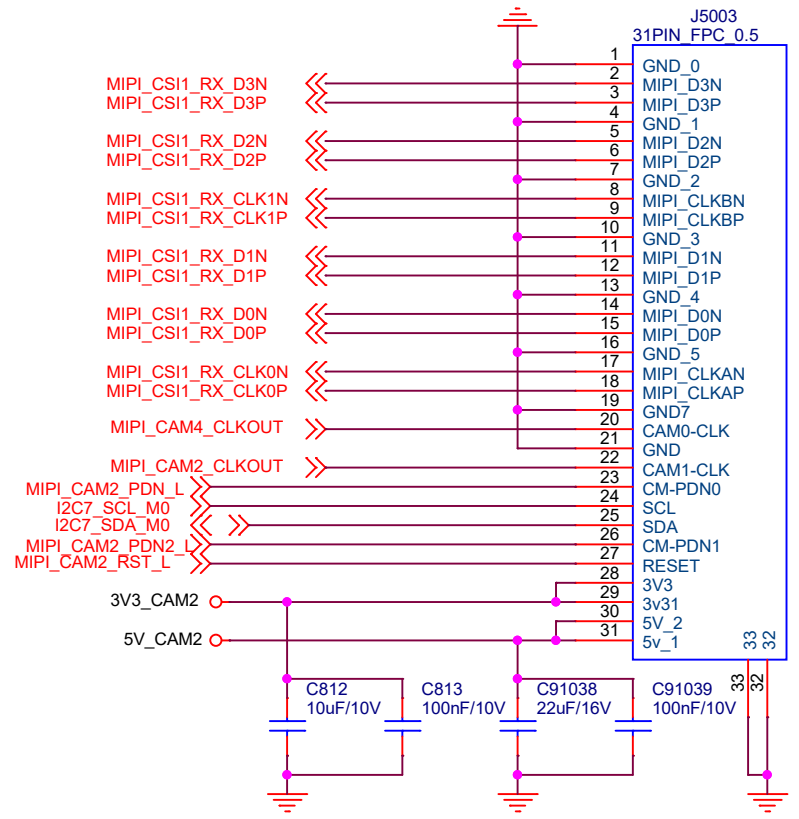
Size	Title: ROCK 5 ITX	REV
A4	Page Name: 21.Type-C	V1.11
Date: Thursday, February 29, 2024	Sheet 21 of 38	

MIPI CSI RX

CAM 0



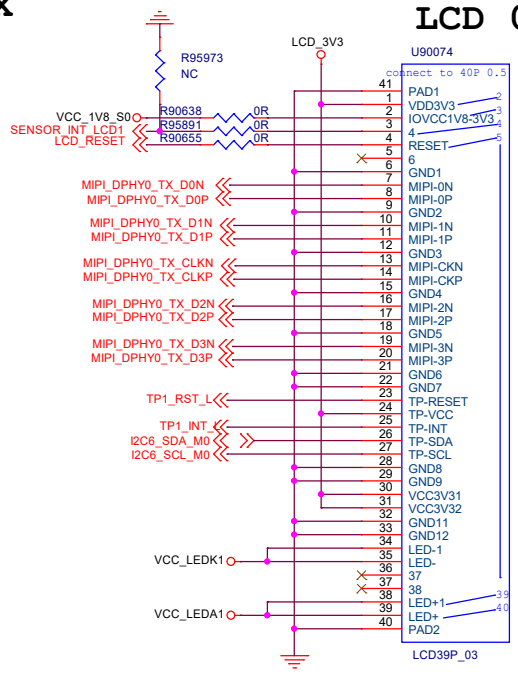
CAM 1



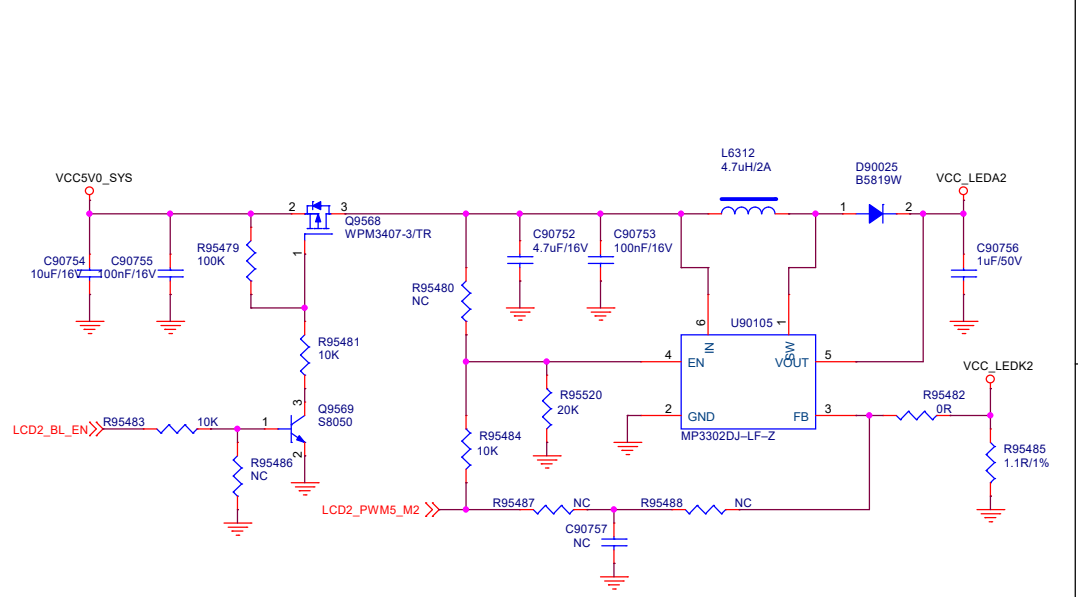
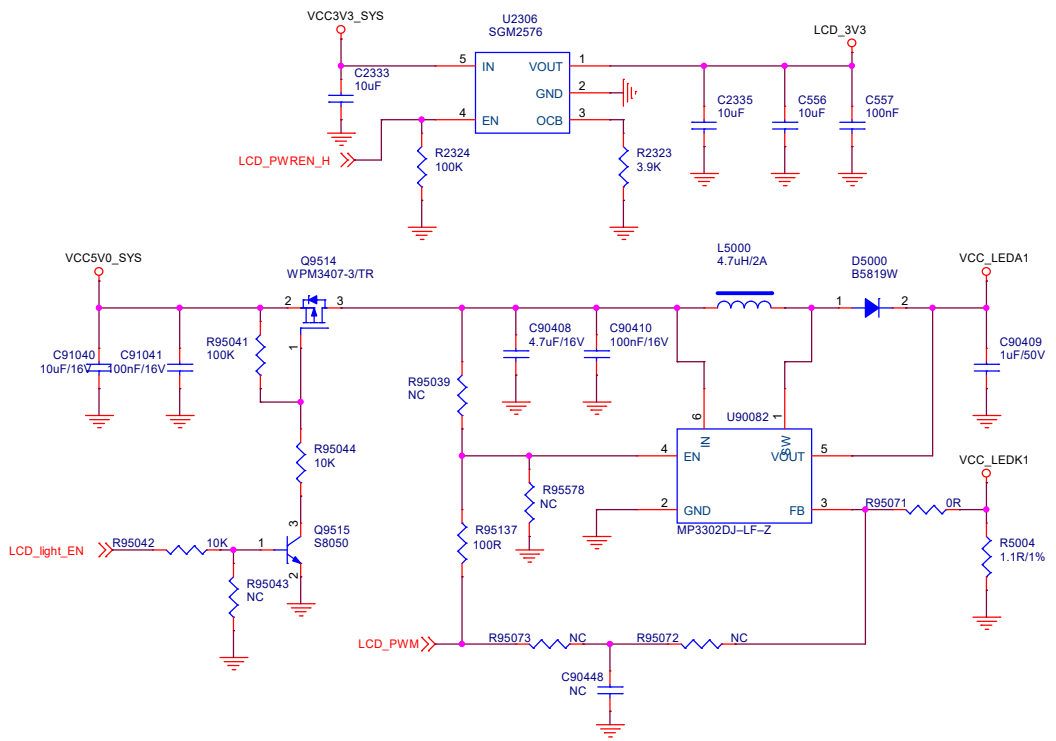
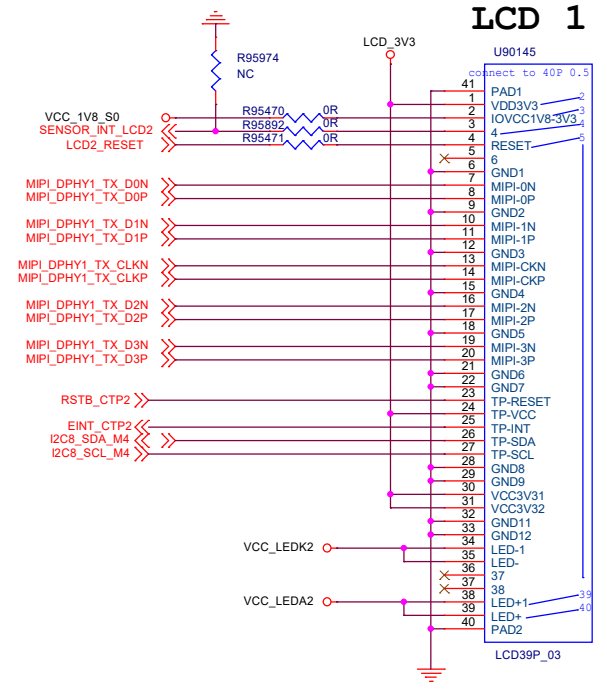
Size	Title: ROCK 5 ITX	REV
A4	Page Name: 22.Camera	V1.11
Date:	Thursday, February 29, 2024	Sheet 22 of 38


MIPI DSI TX

LCD 0



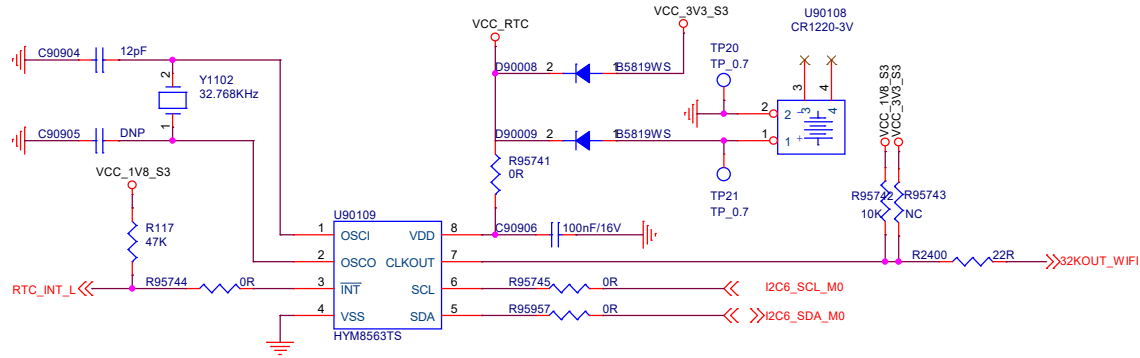
LCD 1



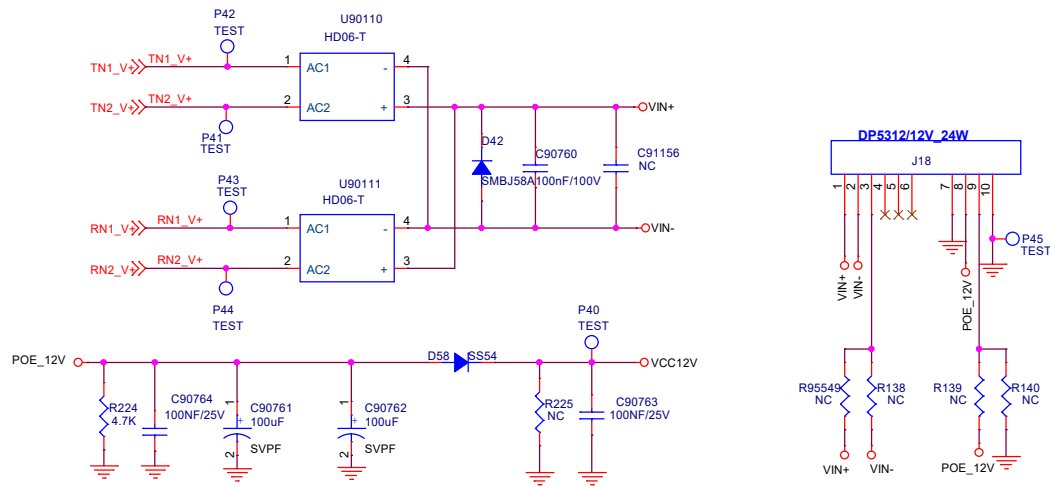


Size	Title: ROCK 5 ITX	REV
A3	Page Name: 23.LCM	V1.11
Date: Thursday, February 29, 2024	Sheet 23	of 38

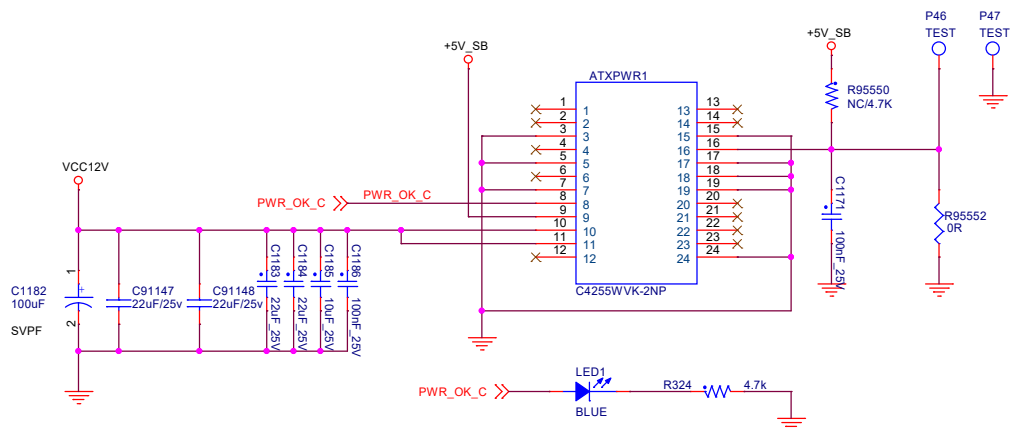
RTC



POE

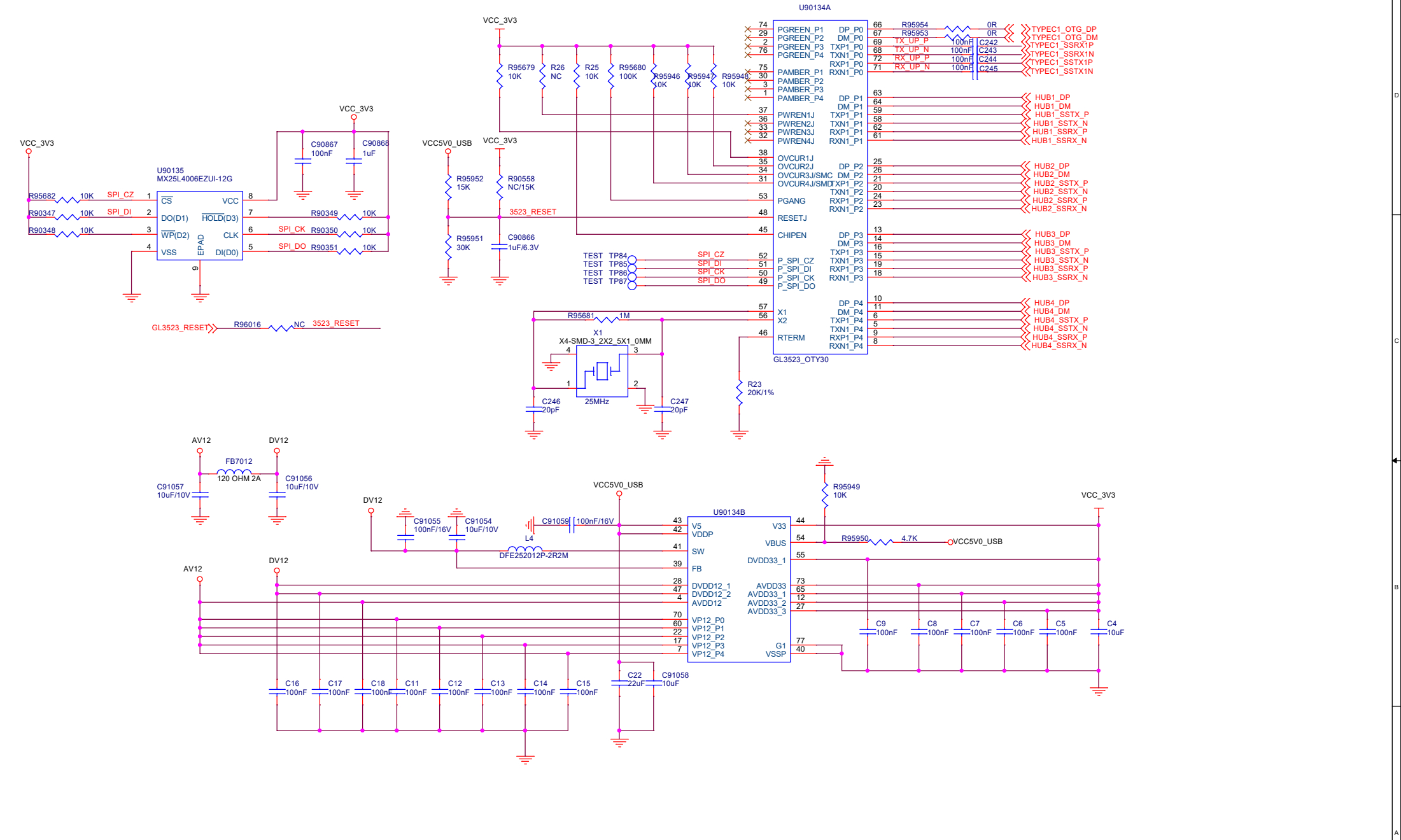


ATX_POWER

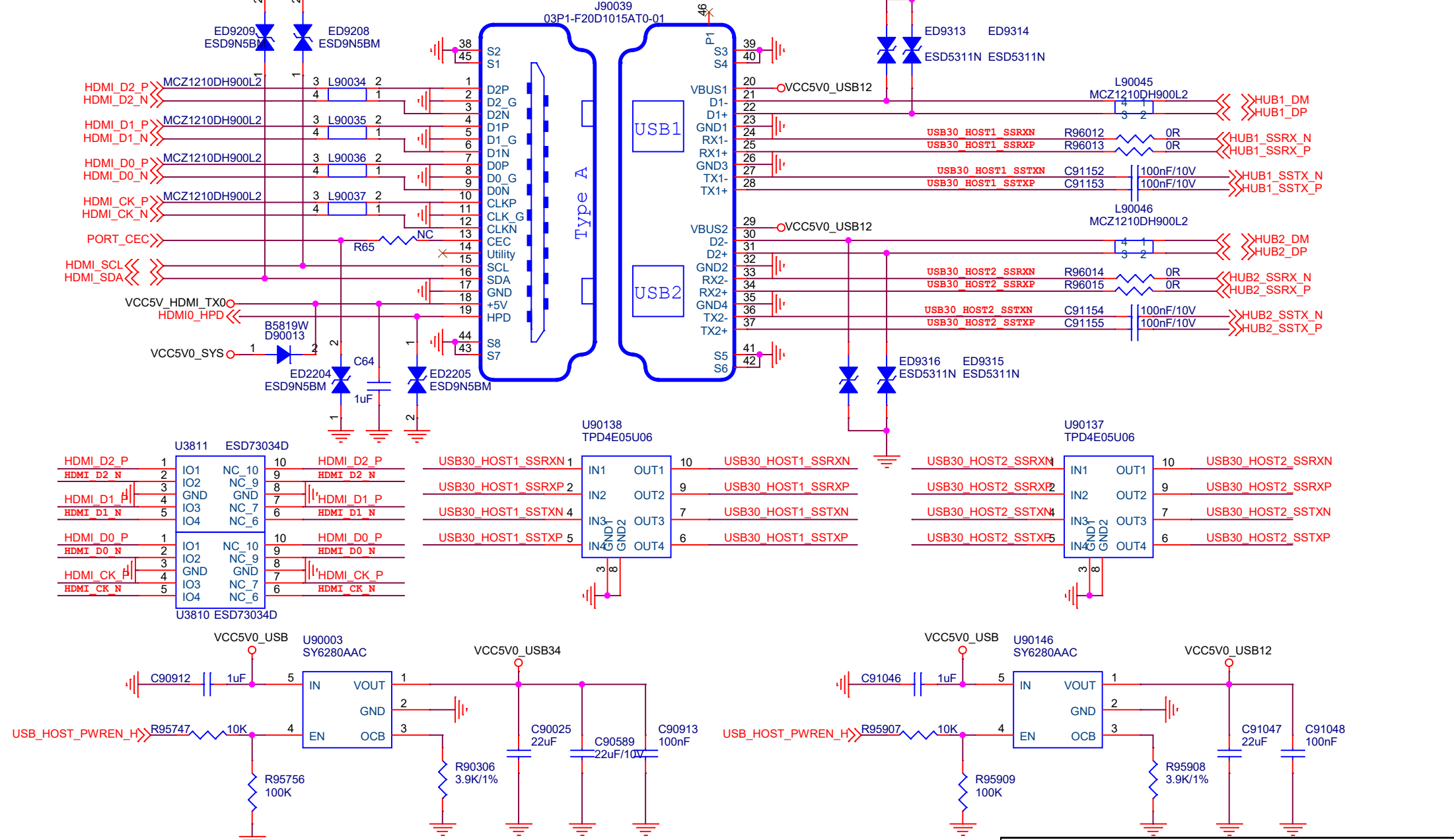


Size	Title: ROCK 5 ITX	REV
A3	Page Name: 24.POE_ATXPWR_RTC	V1.11
Date: Thursday, February 29, 2024	Sheet 24	of 38

USB3.0 HUB

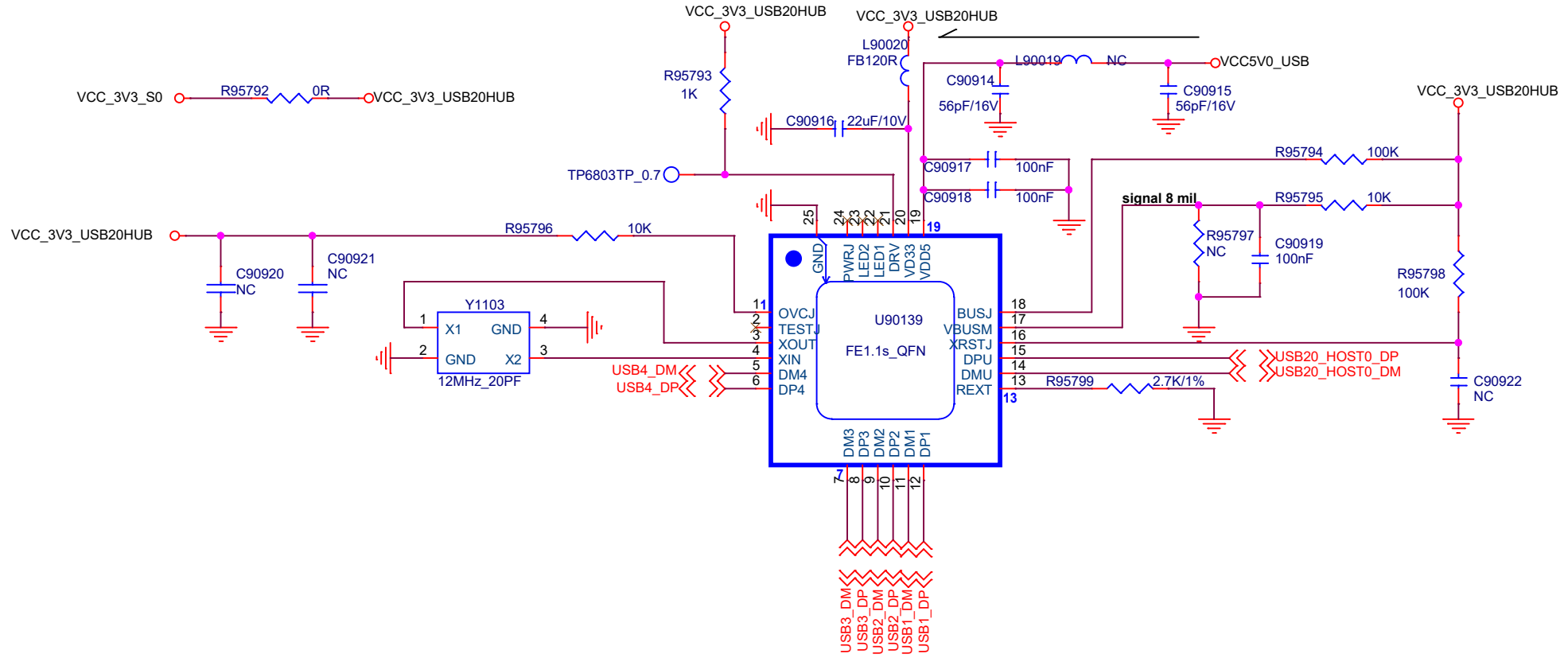



USB3.0+HDMI HDMI TX2 4K



Size	Title: ROCK 5 ITX	REV
A4	Page Name: 26.USB3x2	V1.11
Date: Thursday, February 29, 2024	Sheet 26 of 38	

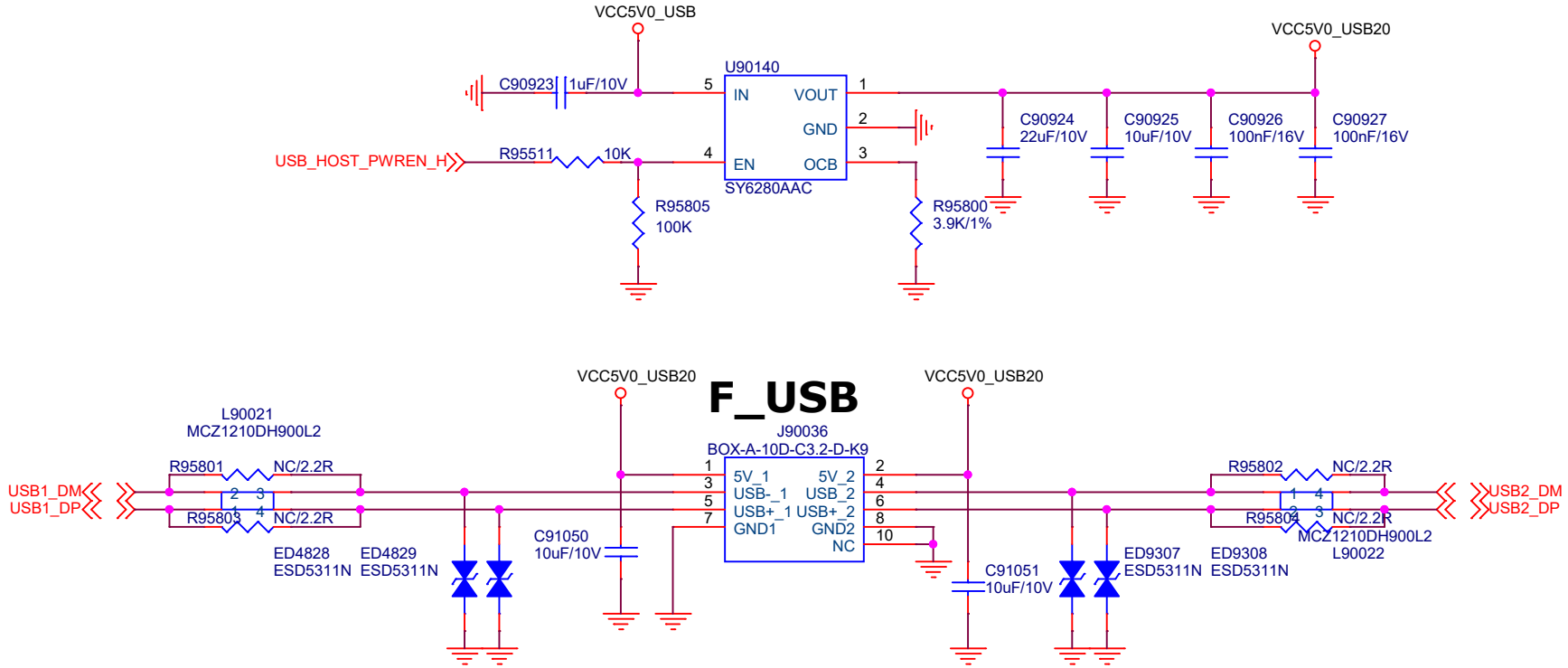
USB2.0 HUB





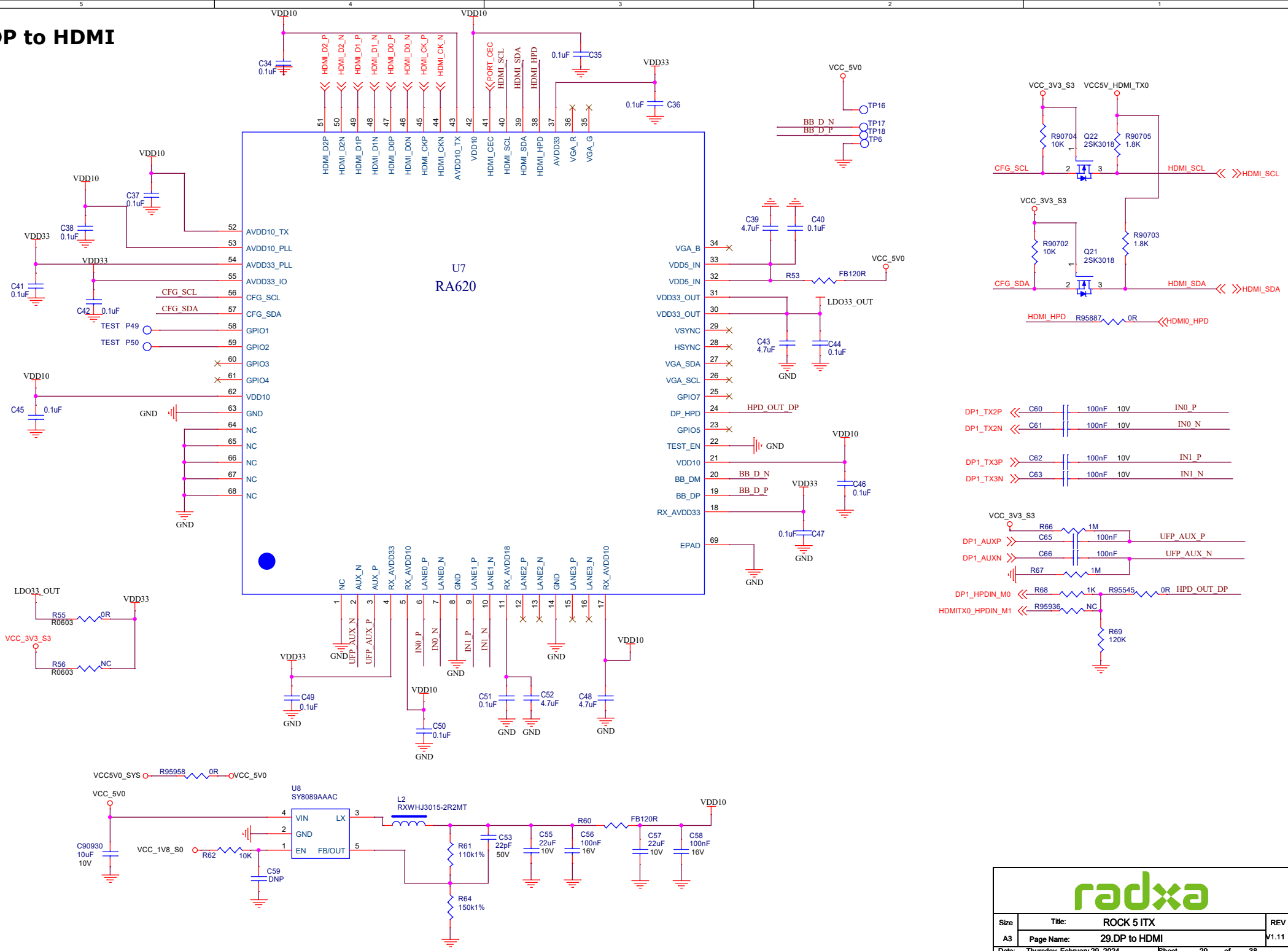
Size	Title: ROCK 5 ITX	REV
A4	Page Name: 27.USB20_HUB	V1.11
Date:	Thursday, February 29, 2024	Sheet 27 of 38


USB 2.0



Size	Title: ROCK 5 ITX	REV
A4	Page Name: 28_USB20x2	V1.11
Date: Thursday, February 29, 2024	Sheet 28 of 38	

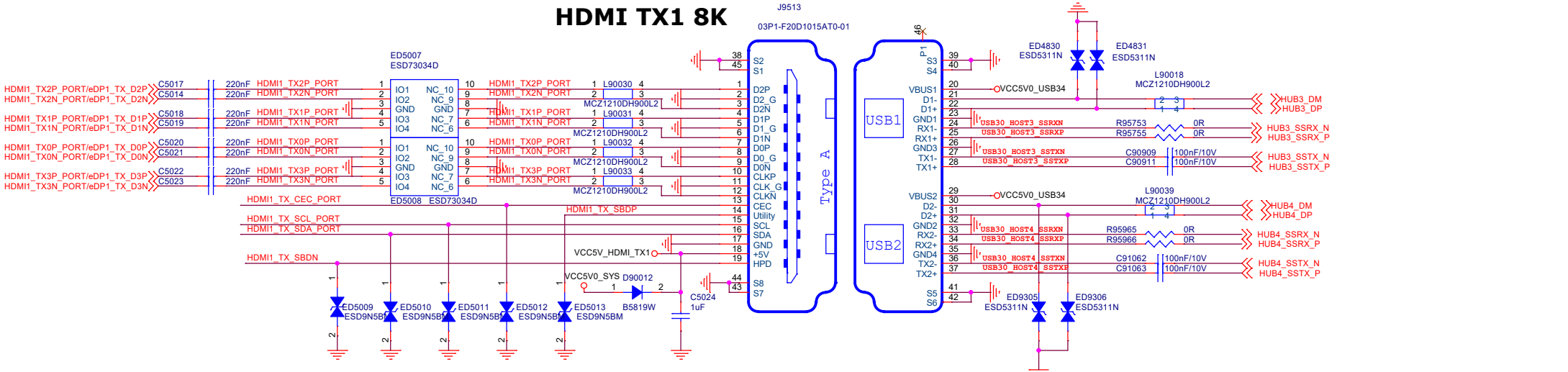
DP to HDMI



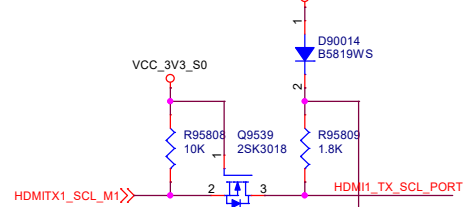


Size	Title: ROCK 5 ITX	REV
A3	Page Name: 29.DP to HDMI	V1.11
Date: Thursday, February 29, 2024	Sheet 29	of 38

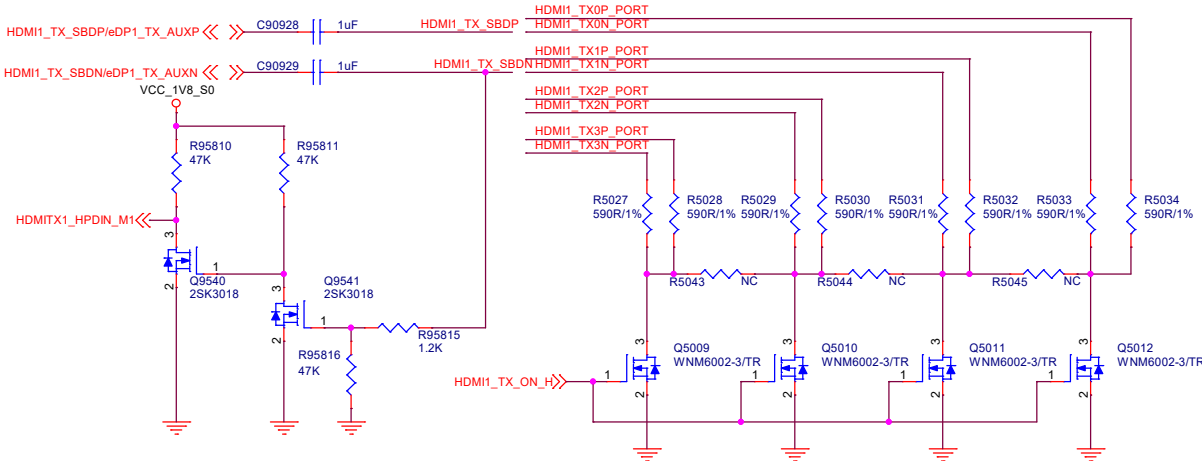
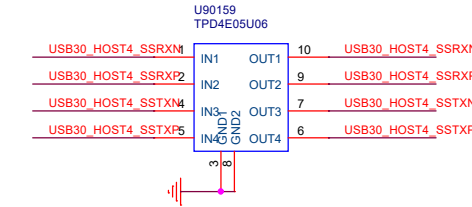
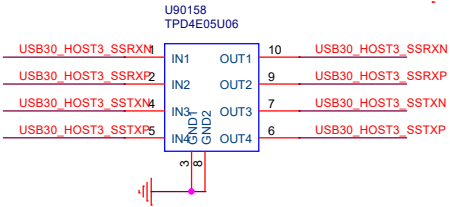
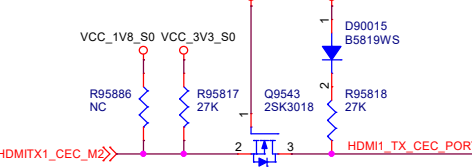
HDMI TX1 8K



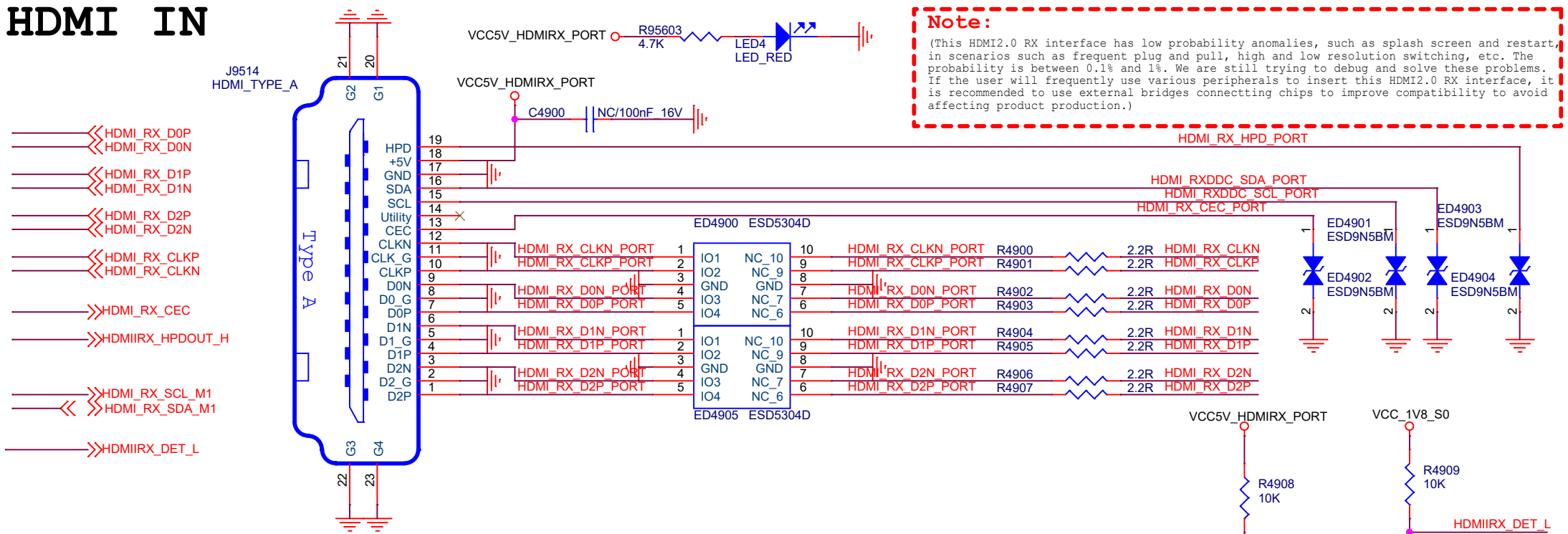
HDMI TX DDC



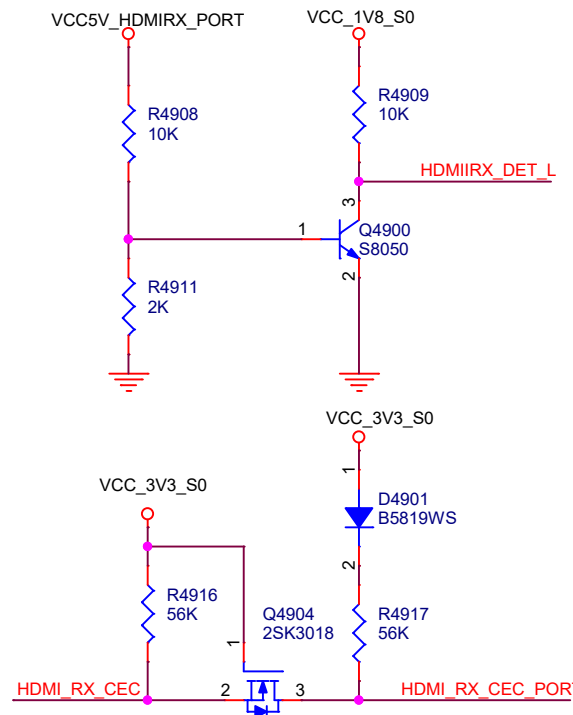
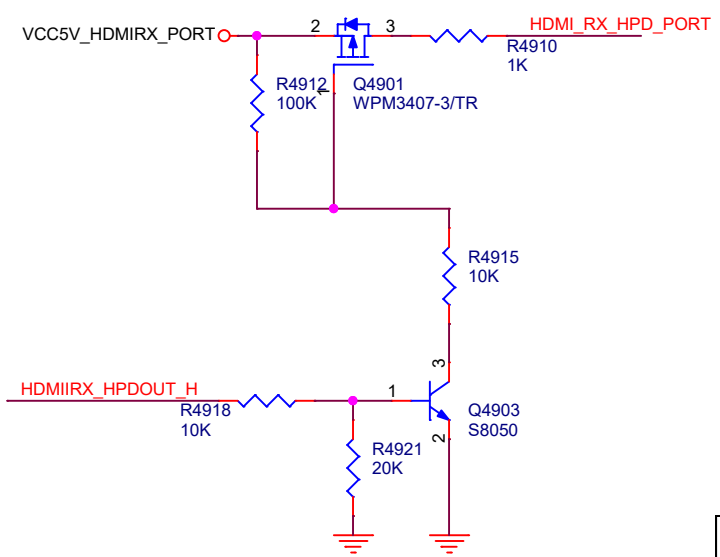
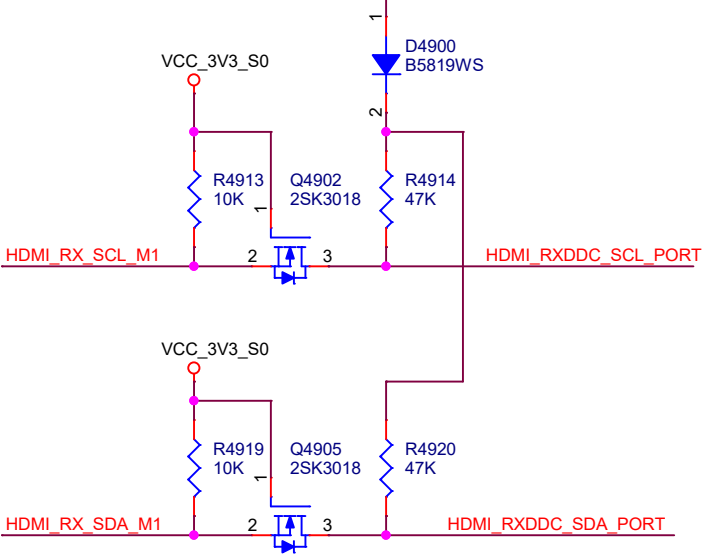

HDMI TX CEC



HDMI IN

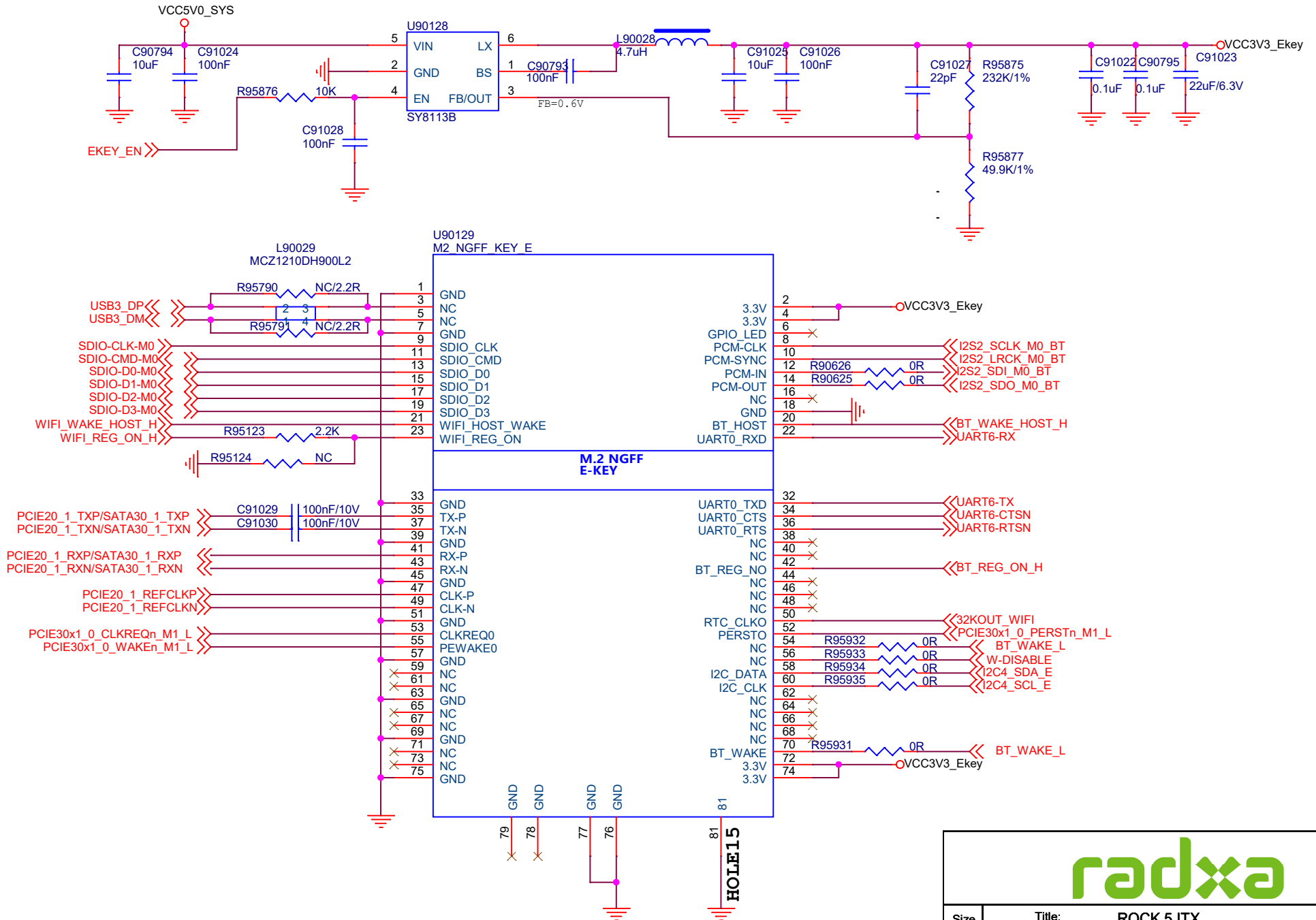


HDMI RX DDC

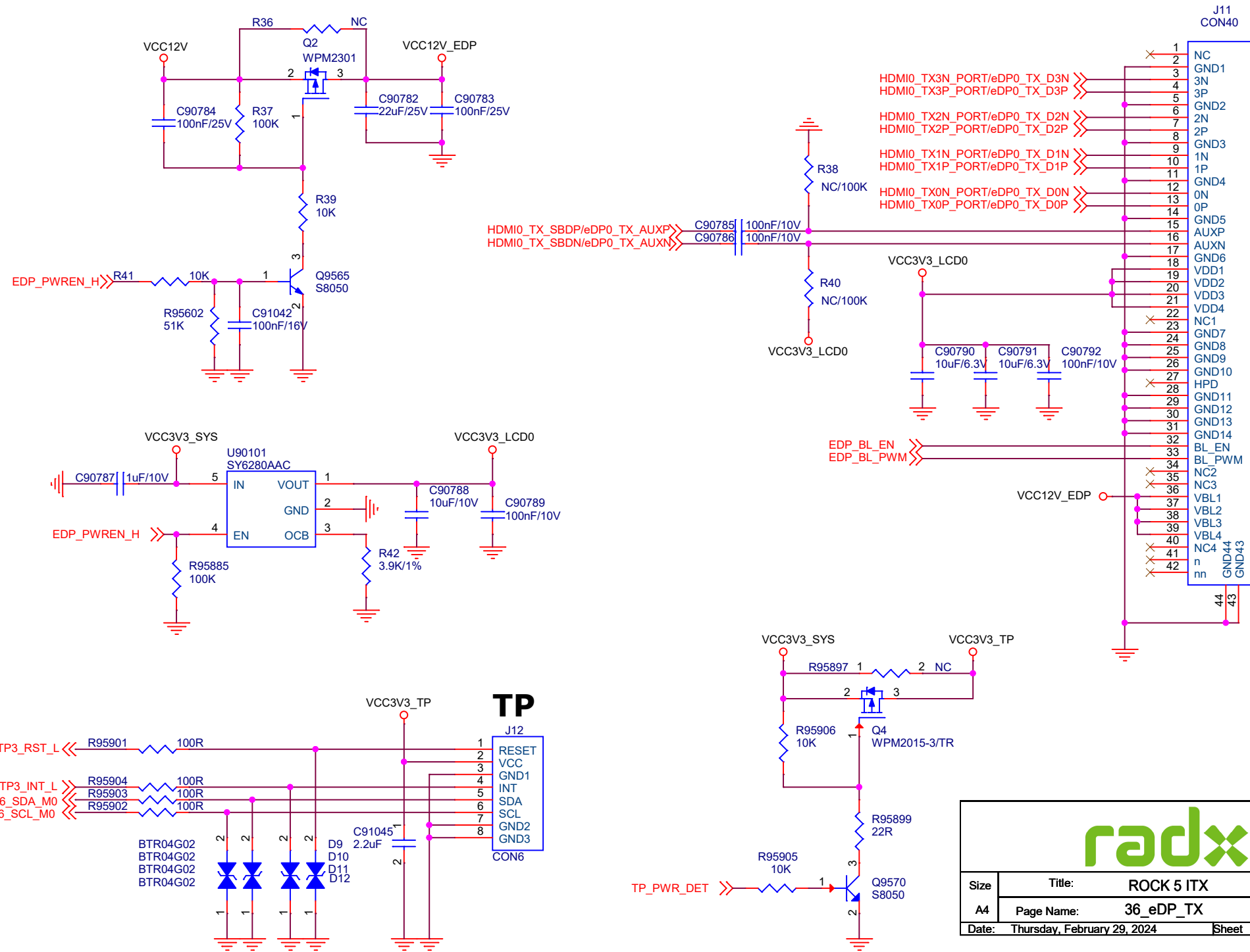
Size	Title: ROCK 5 ITX	REV
A4	Page Name: 31.HDMI_RX	V1.11
Date: Thursday, February 29, 2024	Sheet 31 of 38	

PCIE-PCIE2.0_Slot-Ekey

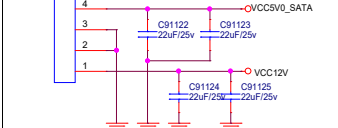
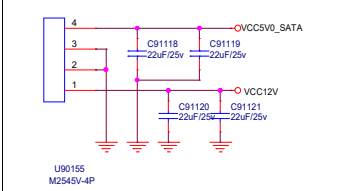
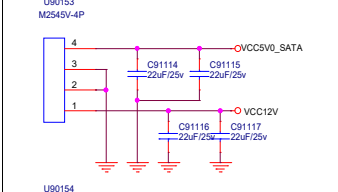
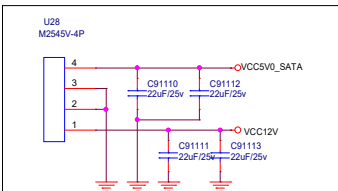
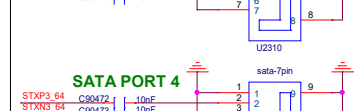
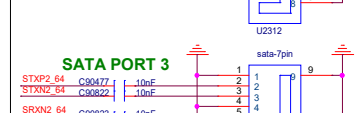
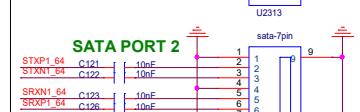
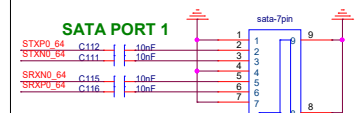
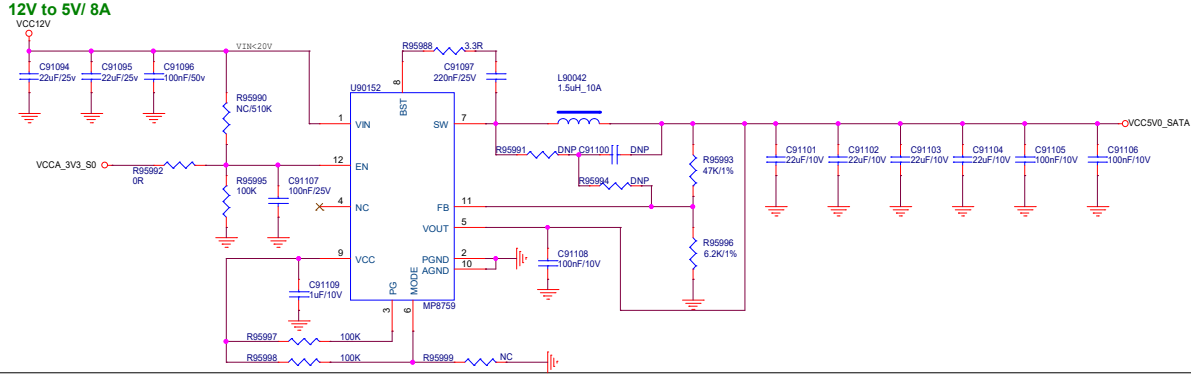
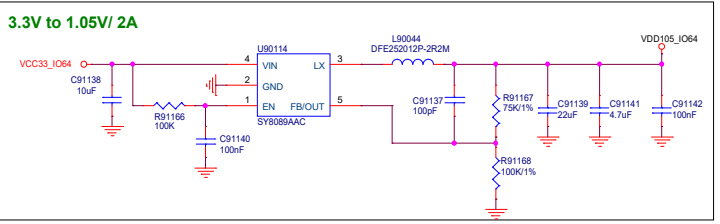
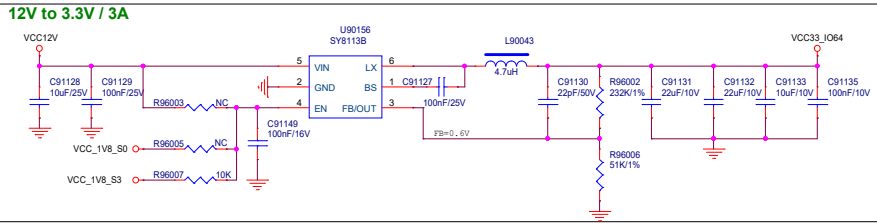
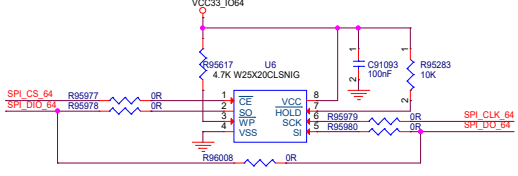
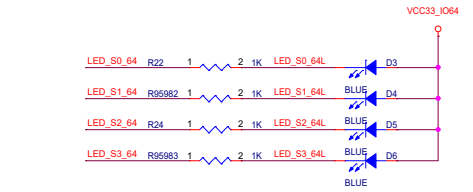
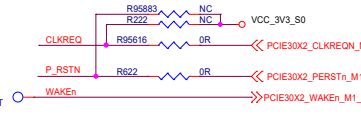
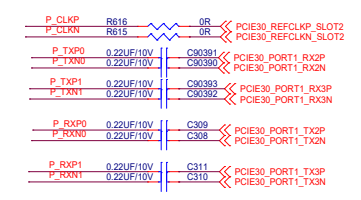
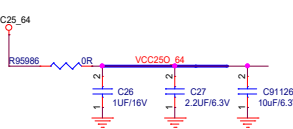
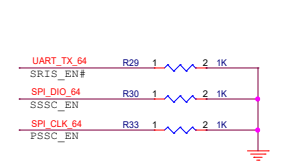
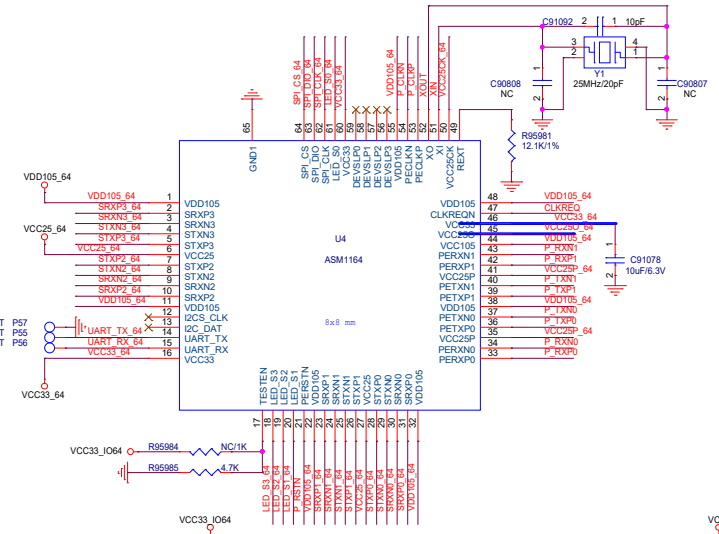
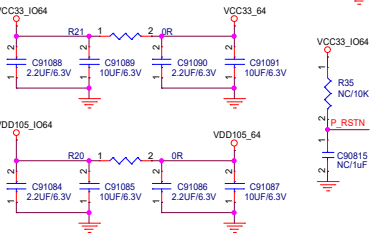
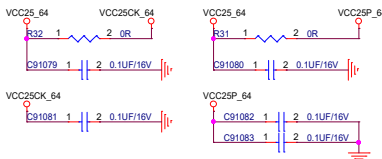
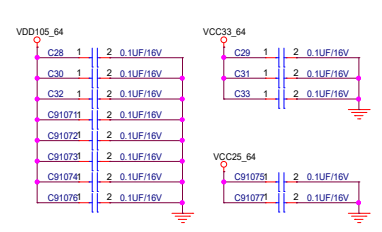


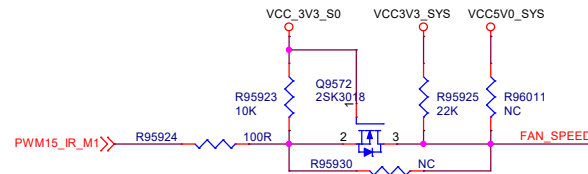
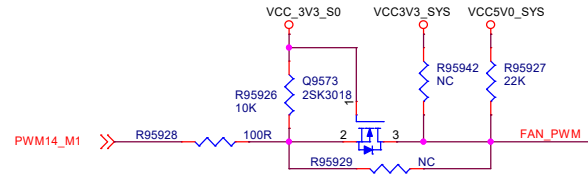
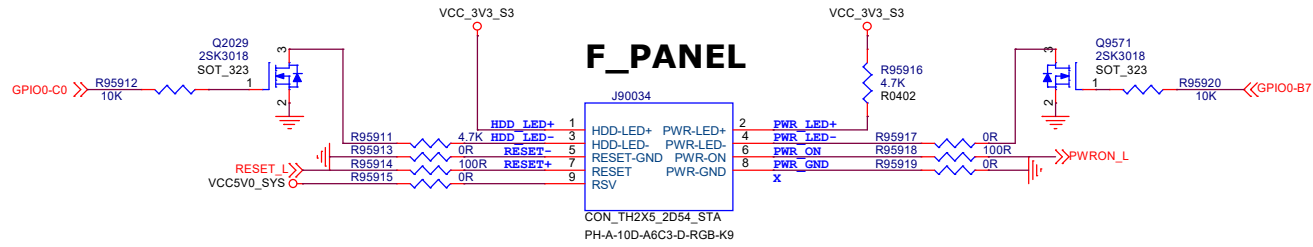
Size	Title: ROCK 5 ITX	REV
A4	Page Name: 34_PCIE-PCIE20_Slot-Ekey	V1.11
Date: Thursday, February 29, 2024	Sheet 34 of 38	

Single-eDP LCM

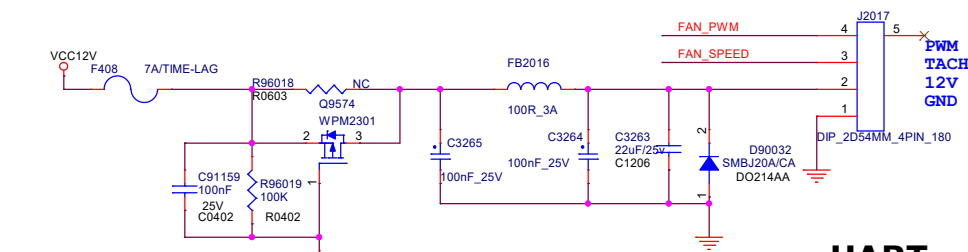


Size	Title: ROCK 5 ITX	REV
A4	Page Name: 36_eDP_TX	V1.11
Date: Thursday, February 29, 2024	Sheet 36 of 38	

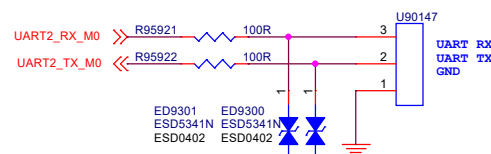




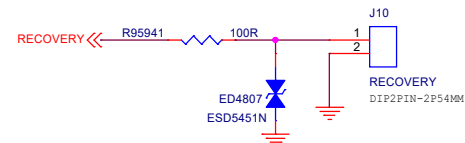
FAN



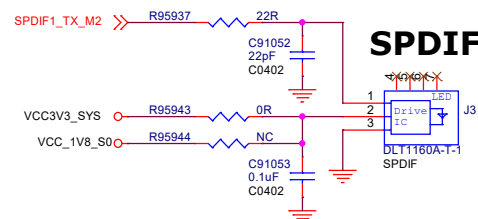
UART



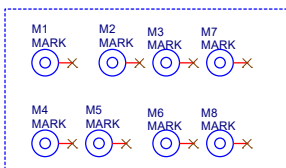
RECOVERY



SPDIF



MARK



Size	Title: ROCK 5 ITX	REV
A3	Page Name: 38_FAN_LED_KEY	V1.11
Date: Thursday, February 29, 2024	Sheet 38	of 38