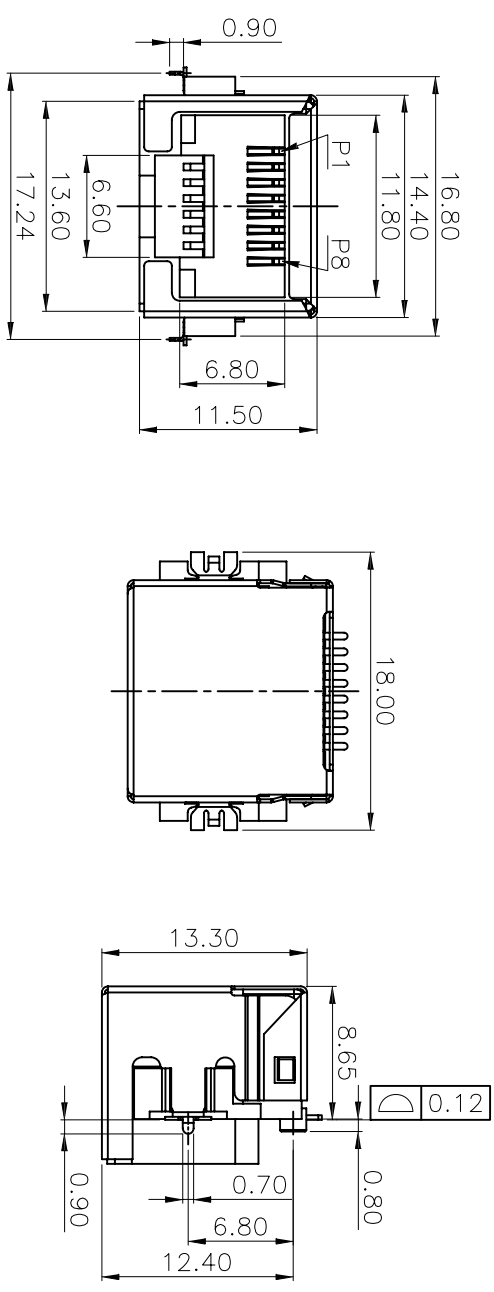


CATEGORY	DESCRIPTION	P/N #
CONNECTOR	Modular Jack, 8P8C, 1X1PORT	MJ88-BX11-JRVS1

REV.	ECN NO	DESCRIPTION	REVISED	DATE
A01		New Release	Kelly	2009.04.21

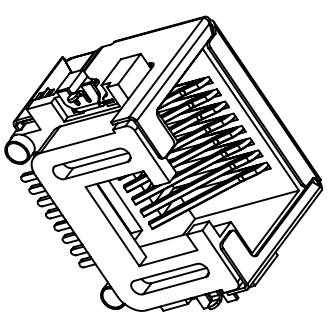
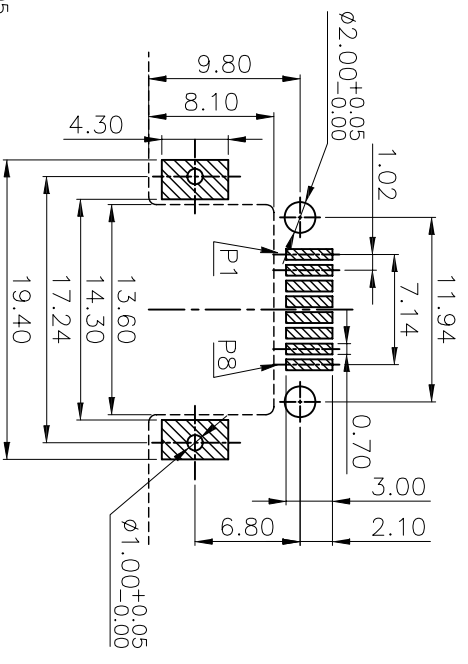
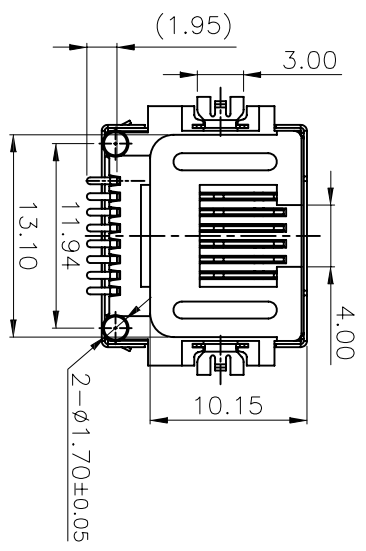


- SPECIFICATIONS:
1. Voltage: 150V AC RMS
  2. Current Rating: 1.5A
  3. Contact Resistance: 30mΩ MAX.
  4. Insulation Resistance: 500MΩ MIN.
  5. Dielectric Withstand Voltage :1000V AC
  6. Operate Temperature: -40°C~80°C
  7. Durability: 500 Mating Cycles MIN.

Part No.: MJ88-BX11-JRVS1

Material & Plating

X	Terminal Plating
0	Au 1u" Plating
1	Au 3u" Plating
2	Au 6u" Plating
3	Au 15u" Plating
4	Au 30u" Plating
5	Au 50u" Plating



RECOMMENDED PCB LAYOUT  
GENERAL TOLERANCE ±0.05

c	Shielding	1	Brass
b	Terminal	8	Phosphor Bronze
a	Housing	1	LCP UL94V-0
NO. PART NAME	Q'TY	MATERIAL	
		PLATING & COLOR	
		Remark	

	Ni Plating
	Terminal Plating
	See Color Scheme
	PLATING & COLOR
	Remark

UNLESS OTHERWISE SPECIFIED TOLERANCES	DECIMALS:	ANGLES:
	X : ±0.5	X : ±2°
	XX : ±0.3	XX : ±1°
	XXX : ±0.2	

**Product Drawing**  
Dongguan Hejing Electronic Co.,LTD

SCALE: 1/1	UNIT: mm	DWG.NO:	WI-061-751
SIZE: A3	PAGE: 1 OF 1	REV: A01	
APPROVED BY	CHECKED BY	PREPARED BY	
Tony	Bill	Kelly	
CUSTOMER COPY			