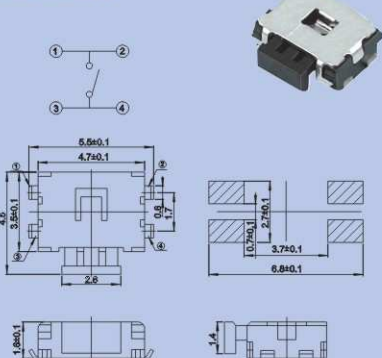
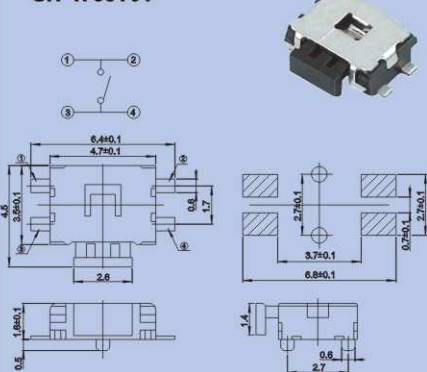


# KFC TACT SWITCH SERIES

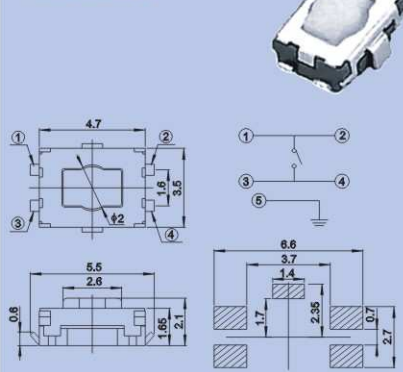
**SH-4735T02**



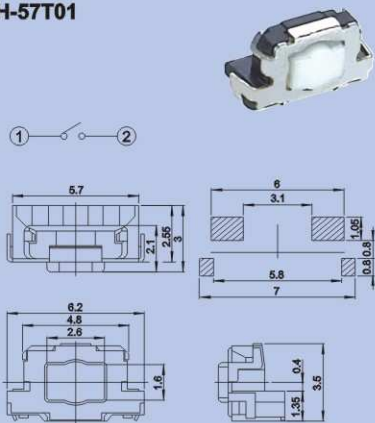
**SH-4735T01**



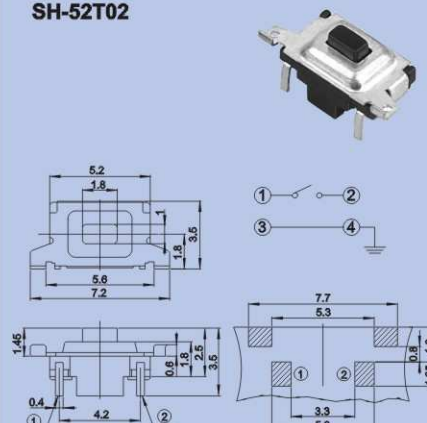
**SH-4735T03**



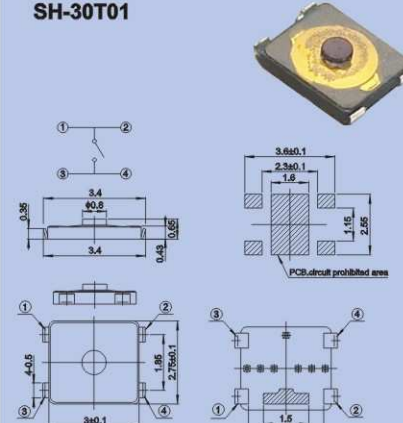
**SH-57T01**



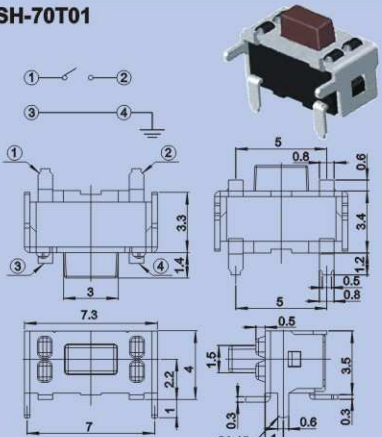
**SH-52T02**



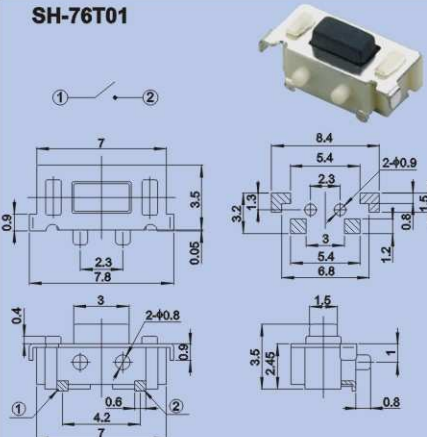
**SH-30T01**



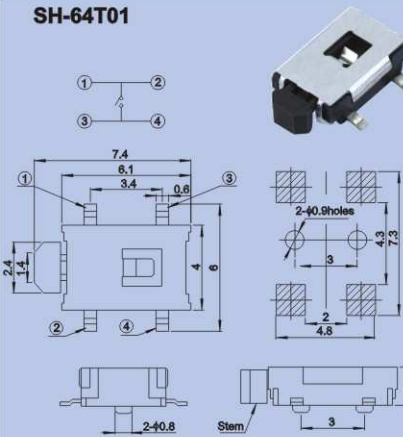
**SH-70T01**



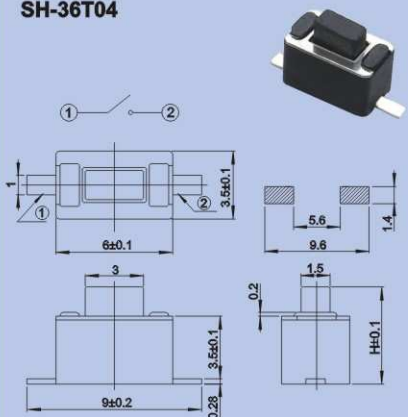
**SH-76T01**



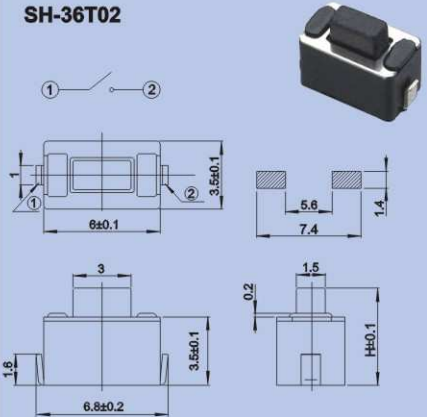
**SH-64T01**



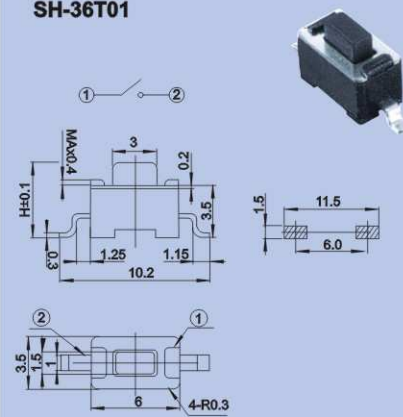
**SH-36T04**



**SH-36T02**

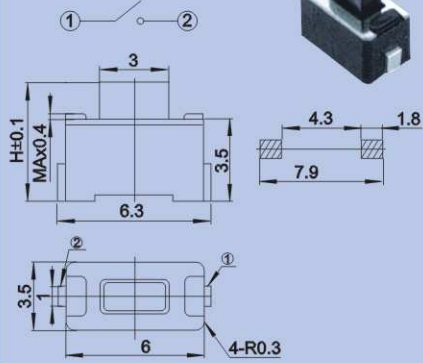


**SH-36T01**

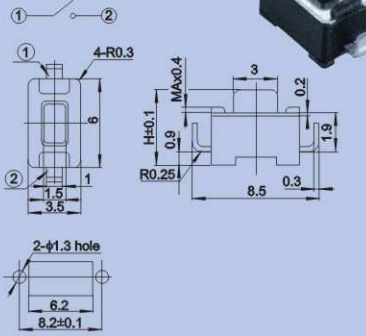


# KFC TACT SWITCH SERIES

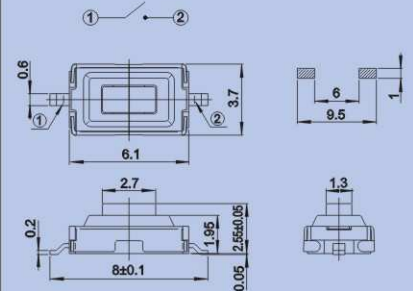
**SH-36T03**



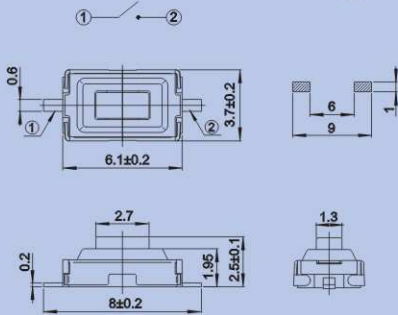
**SH-3T05**



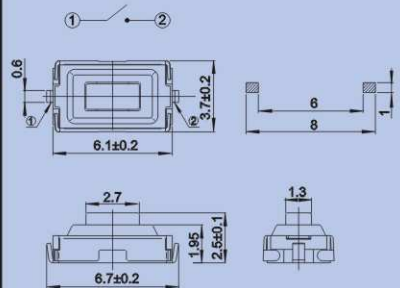
**SH-6137T02**



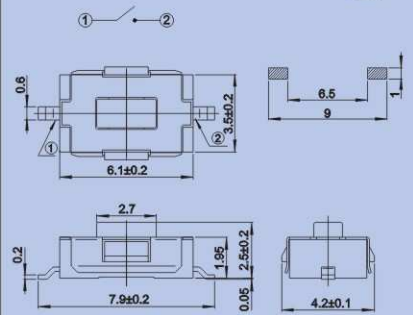
**SH-6137T01**



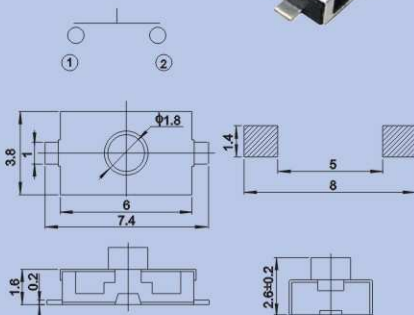
**SH-6137T03**



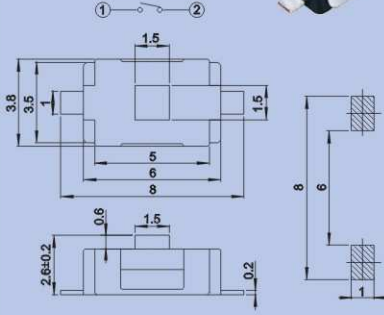
**SH-6137T04**



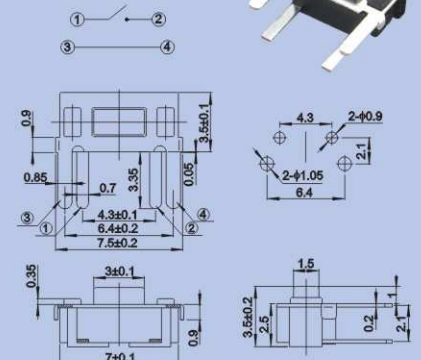
**SH-6038T01**



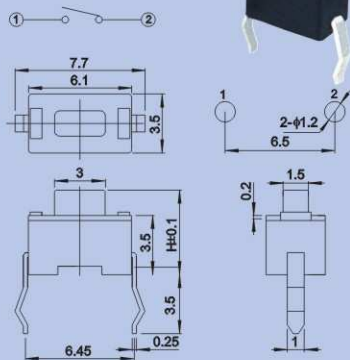
**SH-6038T02**



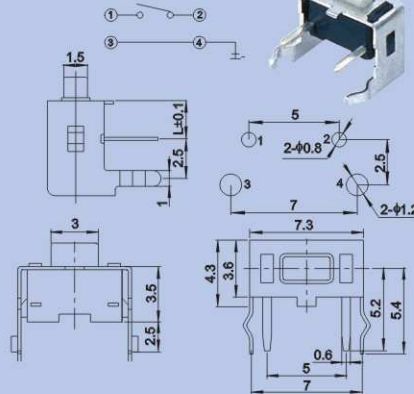
**SH-7025**



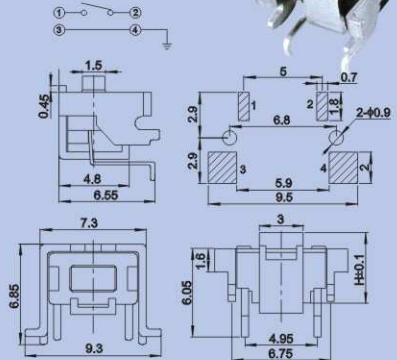
**SH-6135**



**SH-7536**



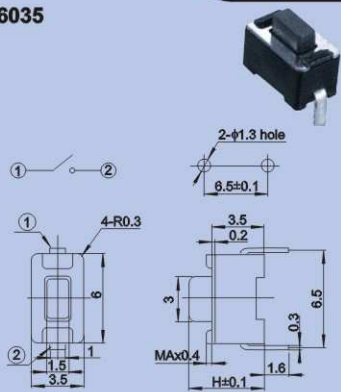
**SH-7360**



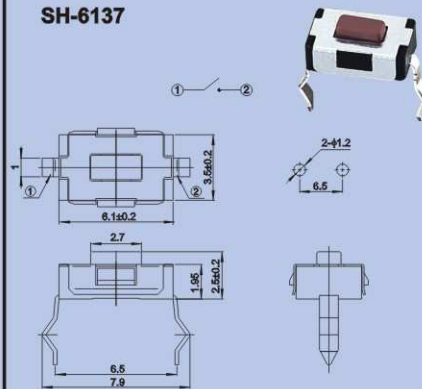


# KFC TACT SWITCH SERIES

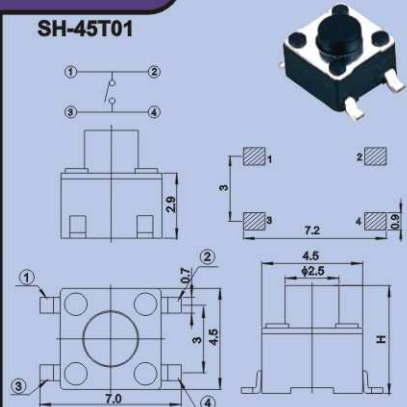
SH-6035



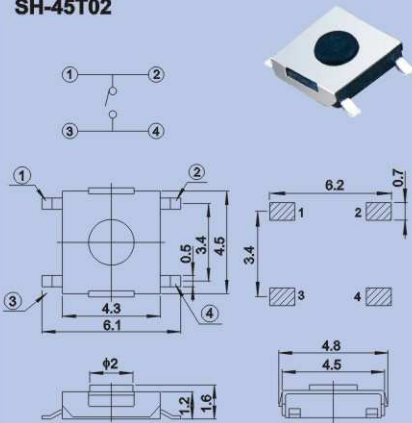
SH-6137



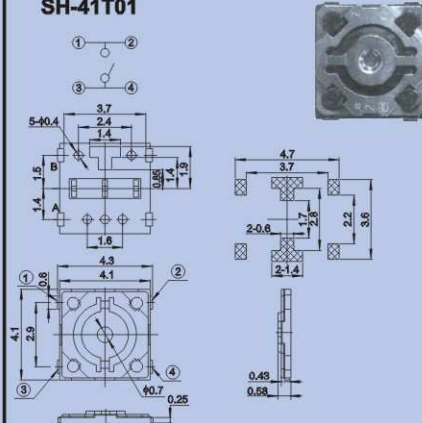
SH-45T01



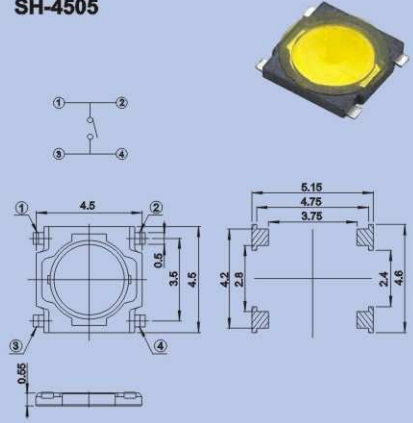
SH-45T02



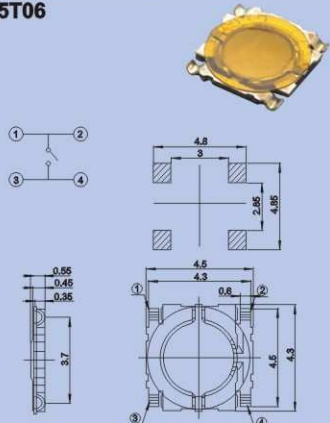
SH-41T01



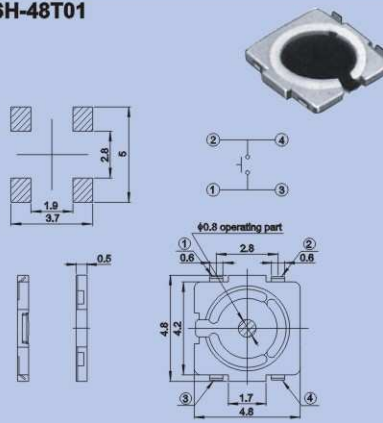
SH-4505



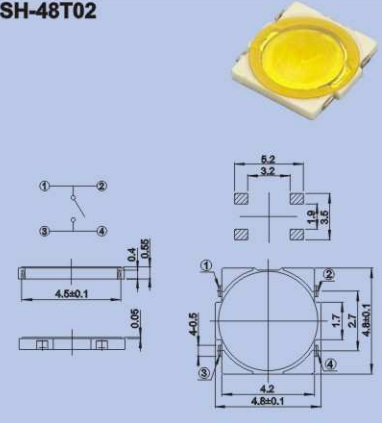
SH-45T06



SH-48T01



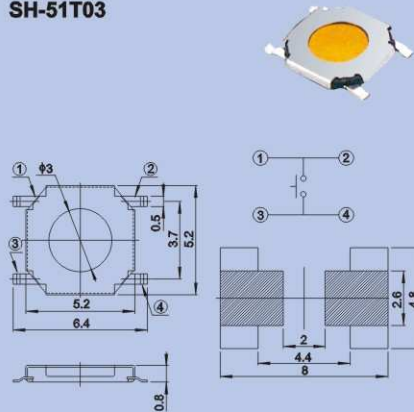
SH-48T02



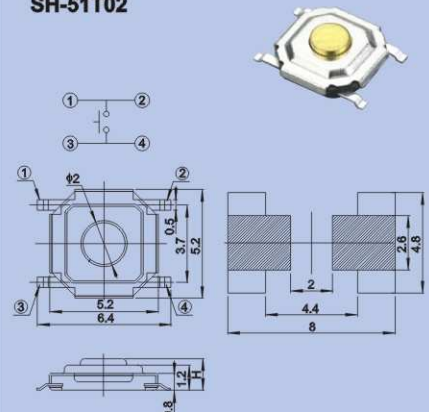
SH-48T03



SH-51T03

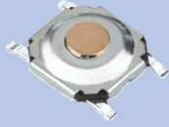
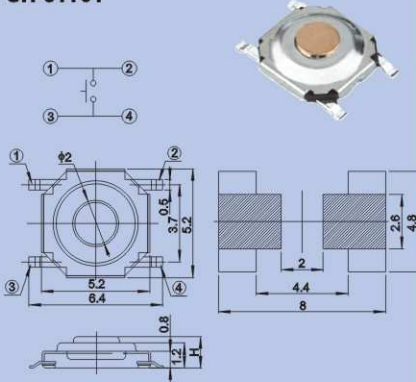


SH-51T02

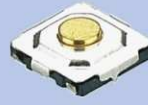
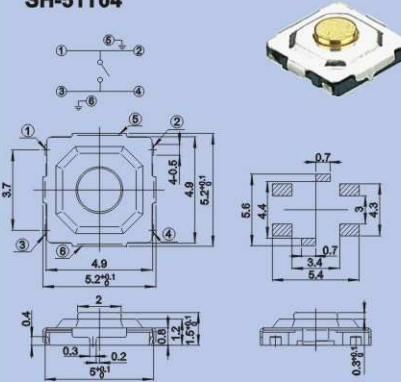


# KFC TACT SWITCH SERIES

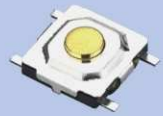
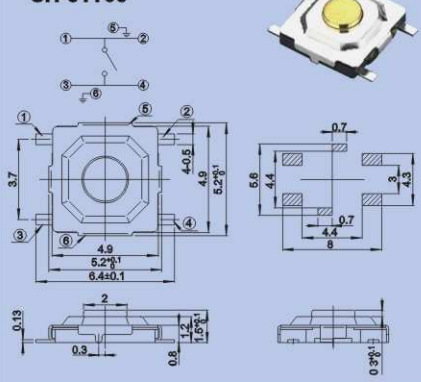
**SH-51T01**



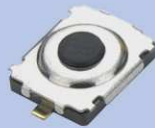
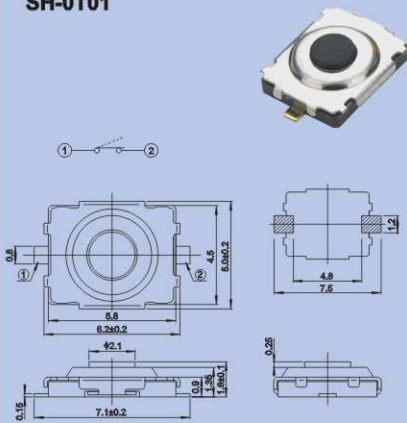
**SH-51T04**



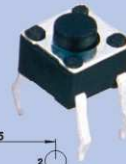
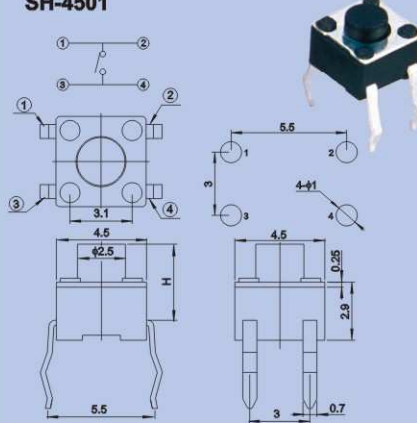
**SH-51T05**



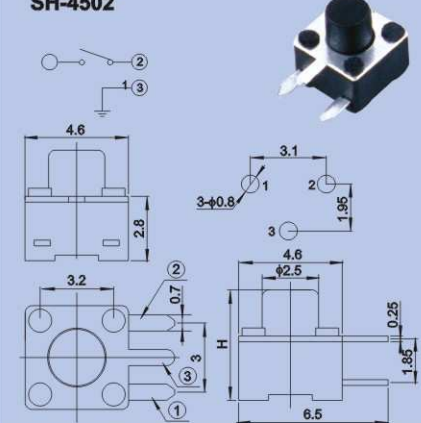
**SH-0T01**



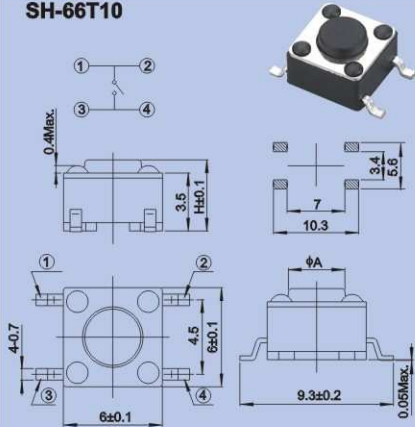
**SH-4501**



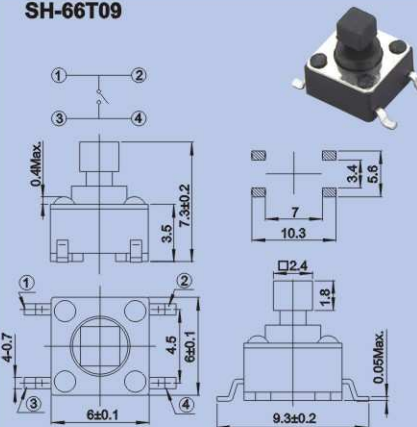
**SH-4502**



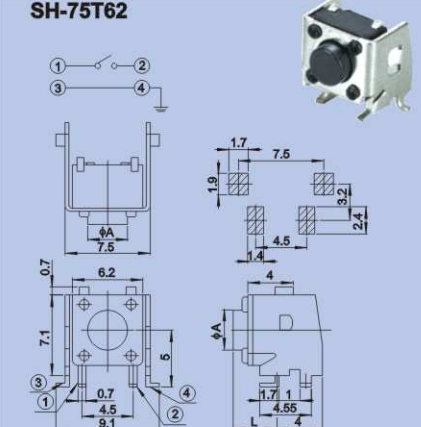
**SH-66T10**



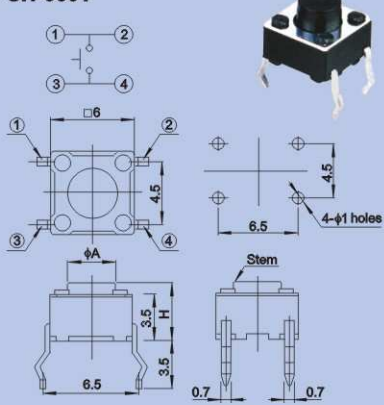
**SH-66T09**



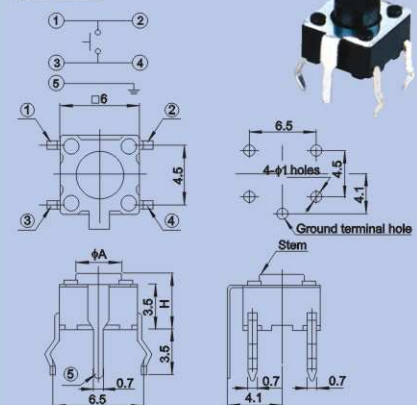
**SH-75T62**



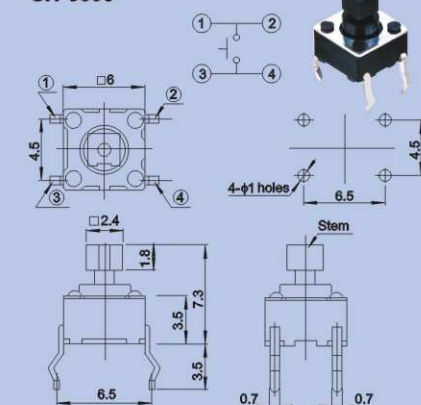
**SH-6601**



**SH-6602**



**SH-6605**

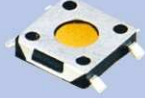
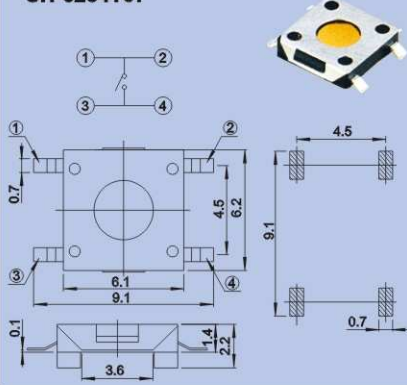




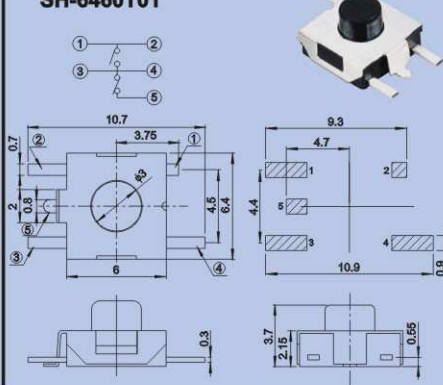


# KFC TACT SWITCH SERIES

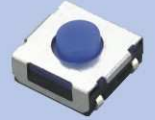
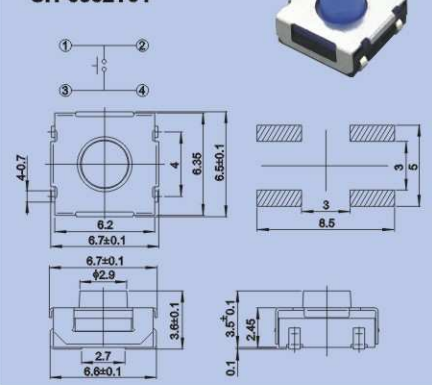
SH-6264T07



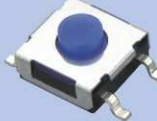
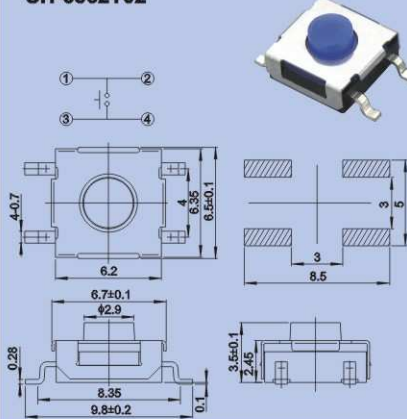
SH-6460T01



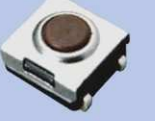
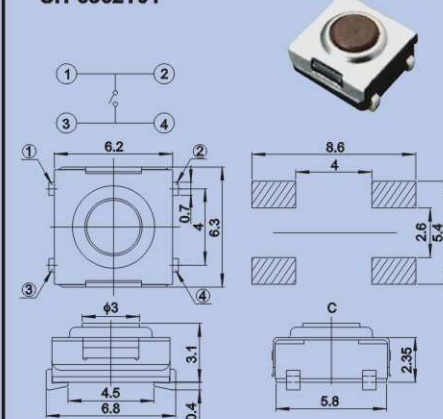
SH-6562T01



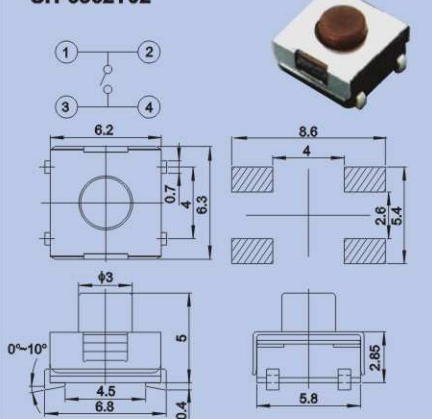
SH-6562T02



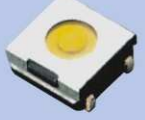
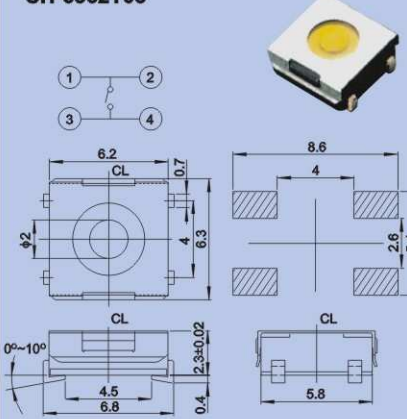
SH-6362T01



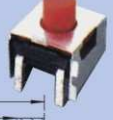
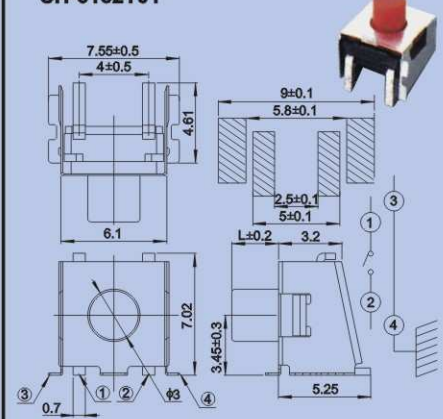
SH-6362T02



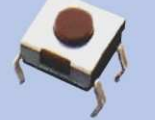
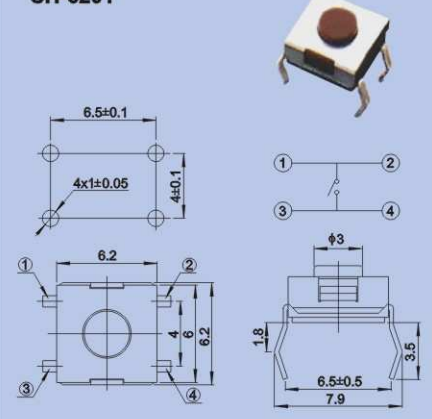
SH-6362T03



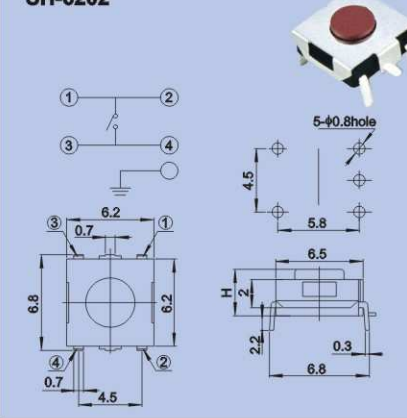
SH-6152T01



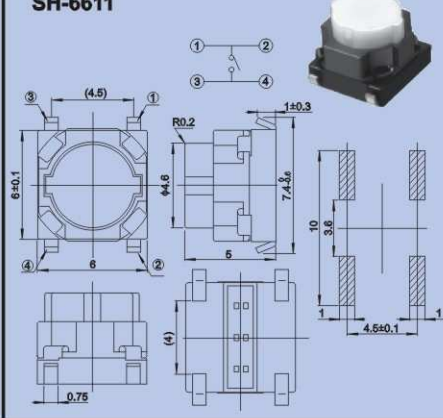
SH-6201



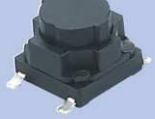
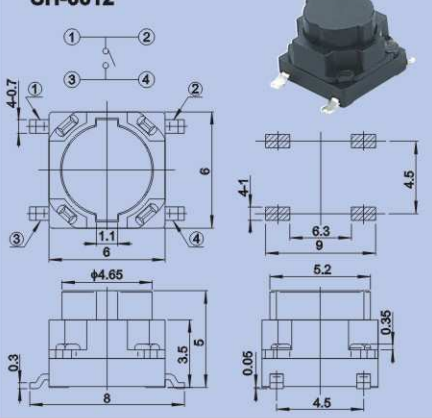
SH-6202



SH-6611



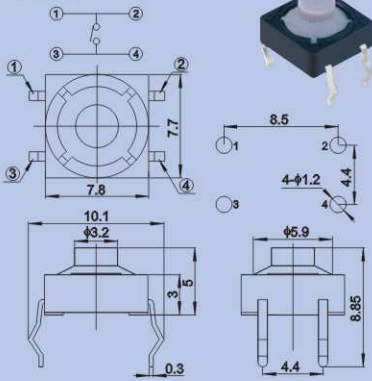
SH-6612



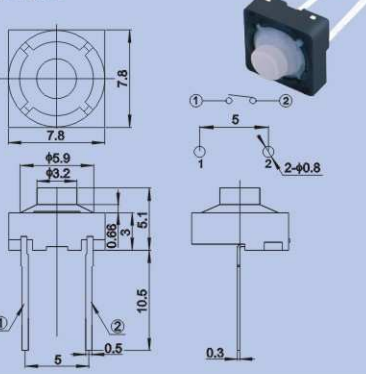


# KFC TACT SWITCH SERIES

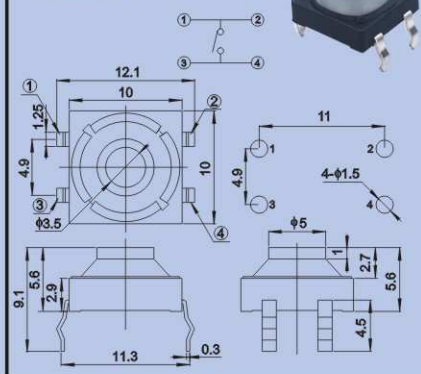
**SH-7801**



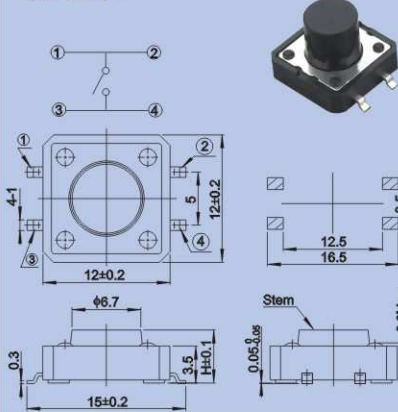
**SH-7802**



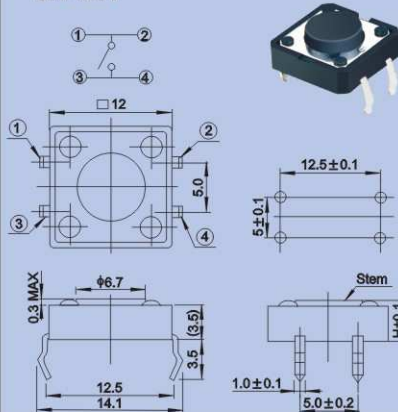
**SH-1001**



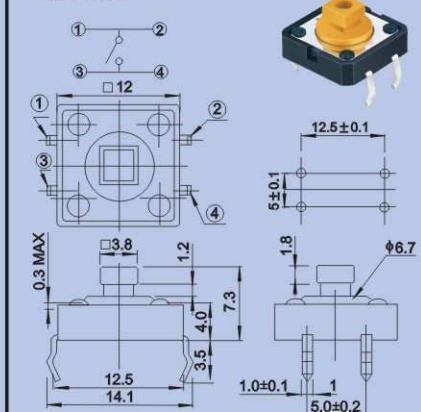
**SH-12T01**



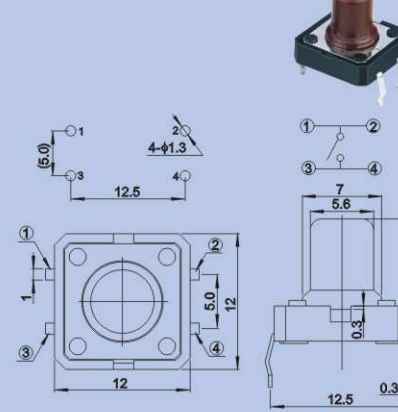
**SH-1201**



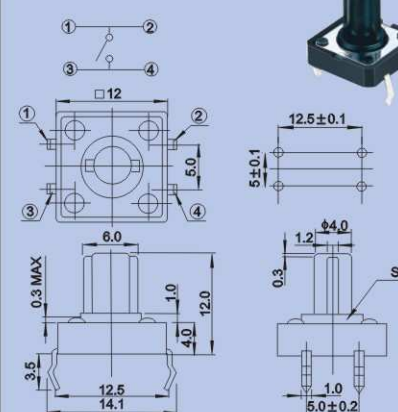
**SH-1202**



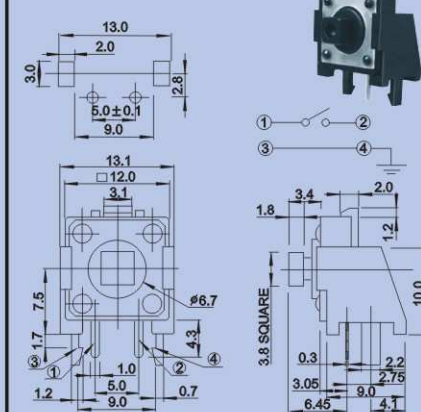
**SH-1203**



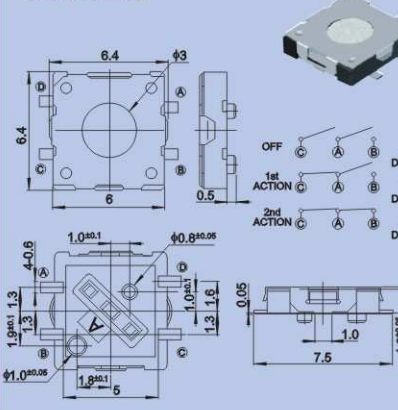
**SH-1204**



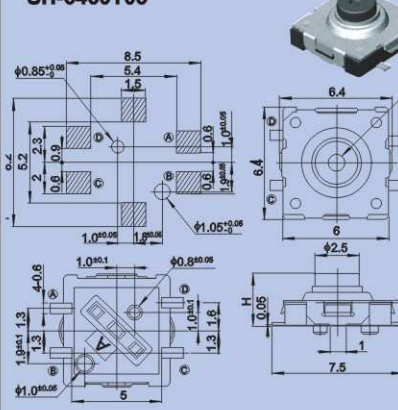
**SH-1205**



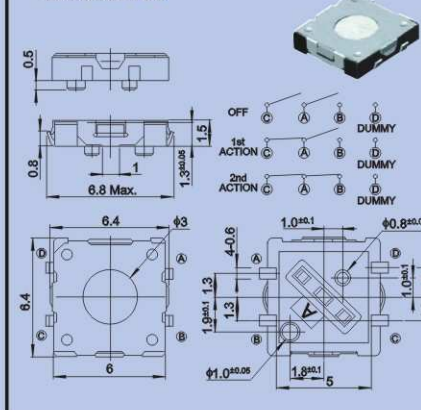
**SH-6460T02**



**SH-6460T03**



**SH-6460T04**



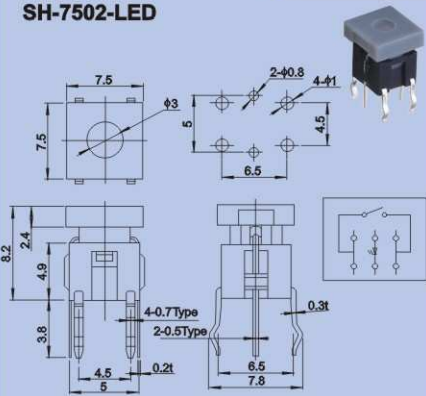




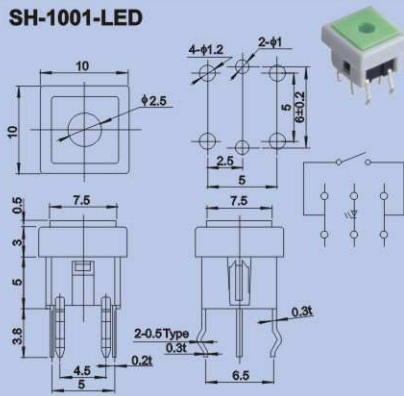


# KFC TACT SWITCH SERIES

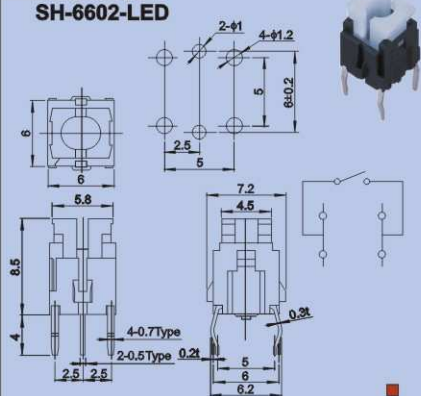
**SH-7502-LED**



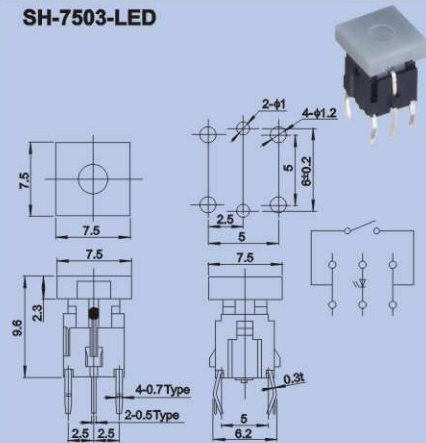
**SH-1001-LED**



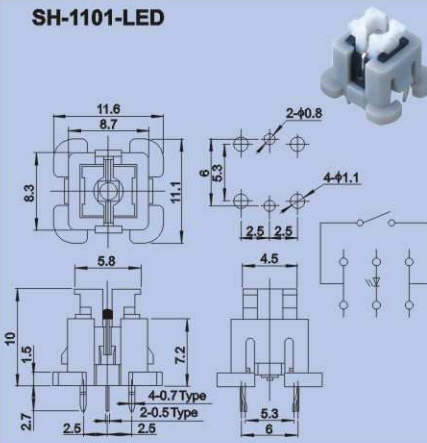
**SH-6602-LED**



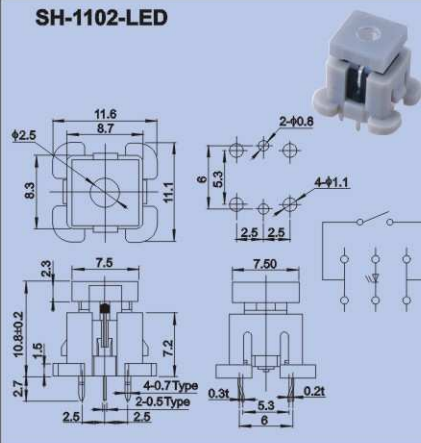
**SH-7503-LED**



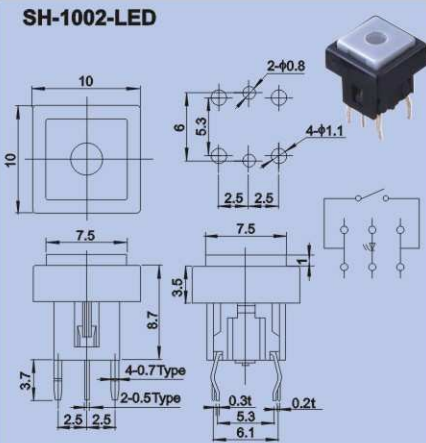
**SH-1101-LED**



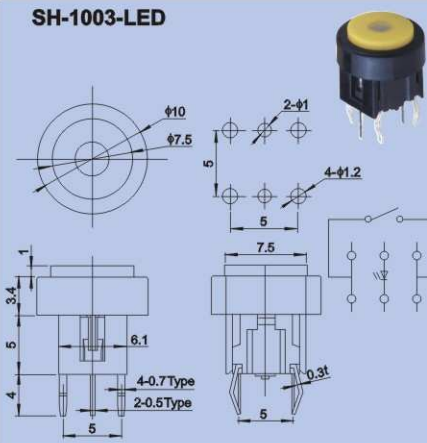
**SH-1102-LED**



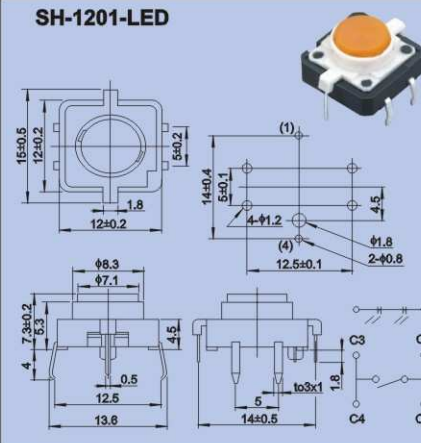
**SH-1002-LED**



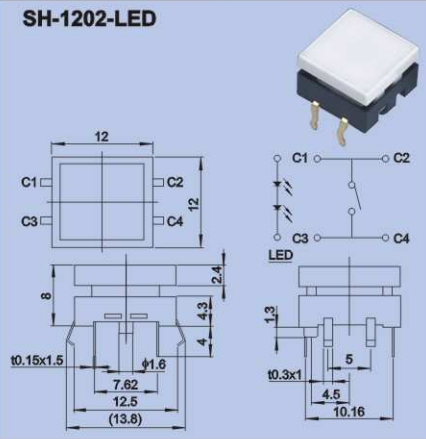
**SH-1003-LED**



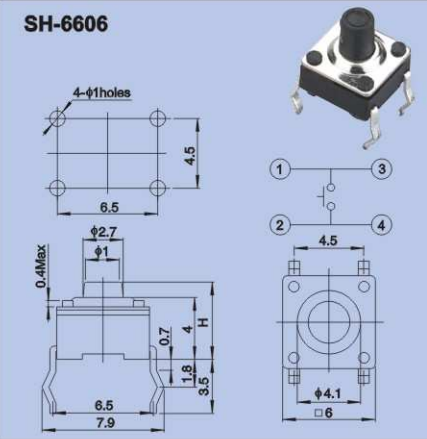
**SH-1201-LED**



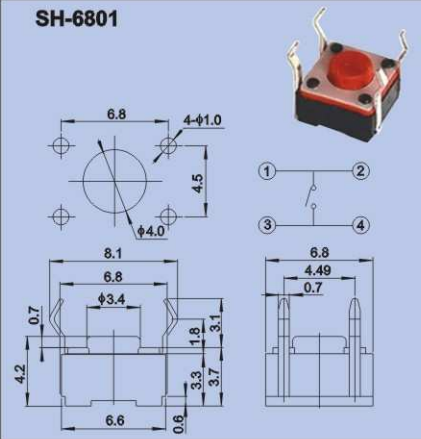
**SH-1202-LED**



**SH-6606**



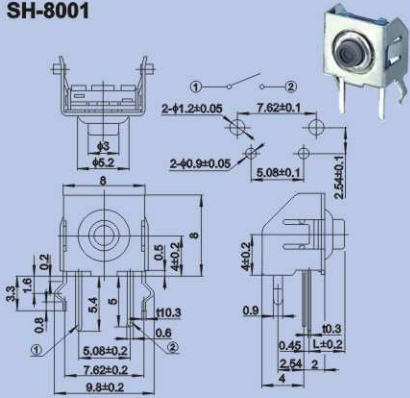
**SH-6801**



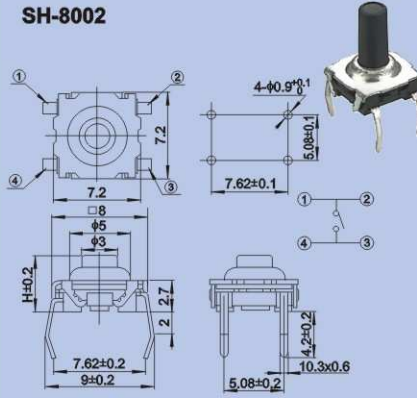


# KFC TACT SWITCH SERIES

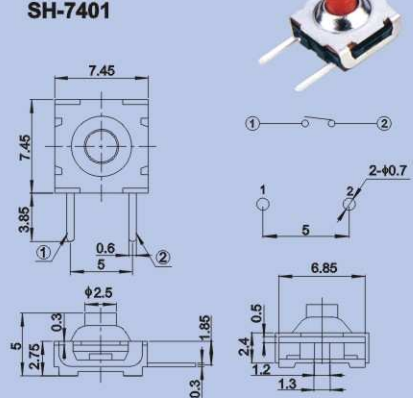
**SH-8001**



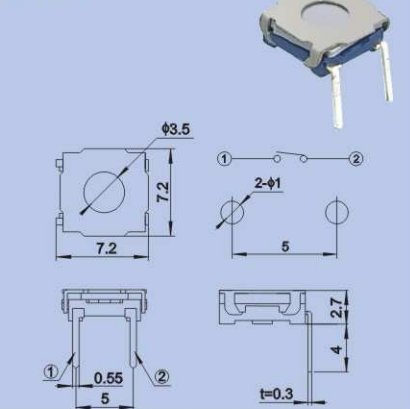
**SH-8002**



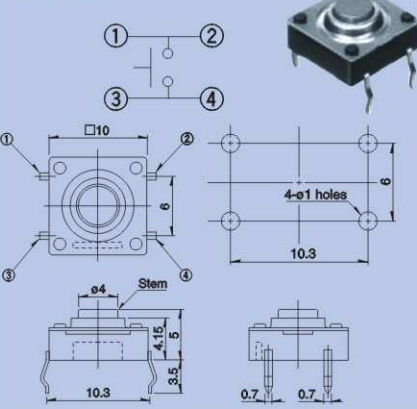
**SH-7401**



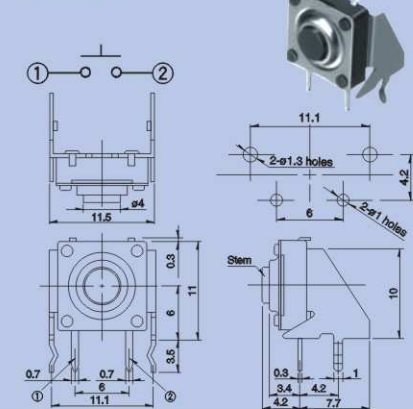
**SH-7201**



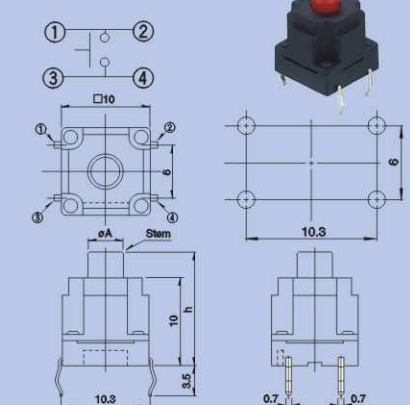
**SH-1002**



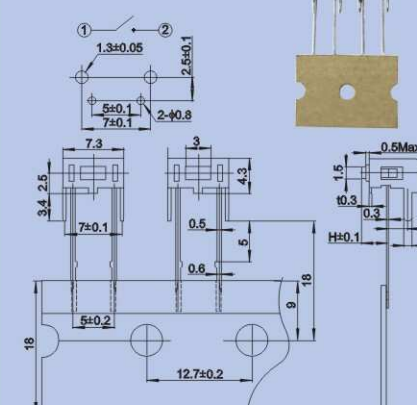
**SH-1103**



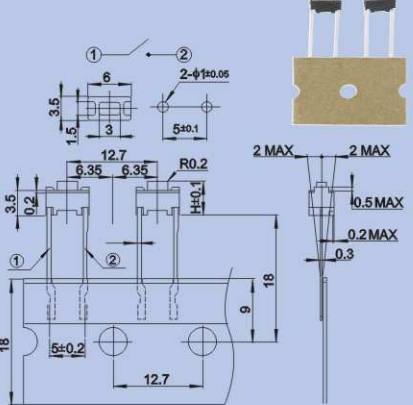
**SH-1003**



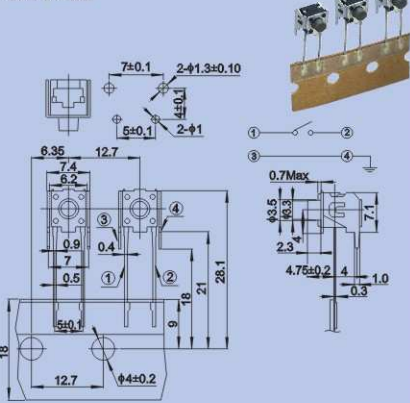
**SH-7360**



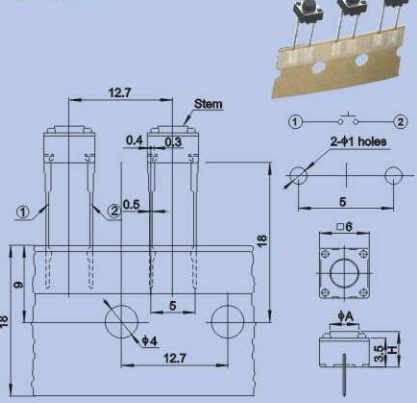
**SH-6035**



**SH-7492**



**SH-6604**



**SH-8003**

