

Fu Hai

CONTENT INDEXING

- 01.Index
- 02.Block Diagram
- 03.MIPI_LCD
- 04.EDP
- 05.PCIE M2
- 06.HDMI OUT
- 07.4G
- 08.WIFI
- 09.ES8316_PHONE
- 10.AUDIO_TF_IR
- 11.CAM
- 12.TYPE-C
- 13.USB2.0/3.0
- 14.Charger_Sensor_TP
- 15.Ethernet_1000MHz
- 16.POWER_IN
- 17.17.POWER_SYS
- 18.CONNECT

Note:

器件参数说明

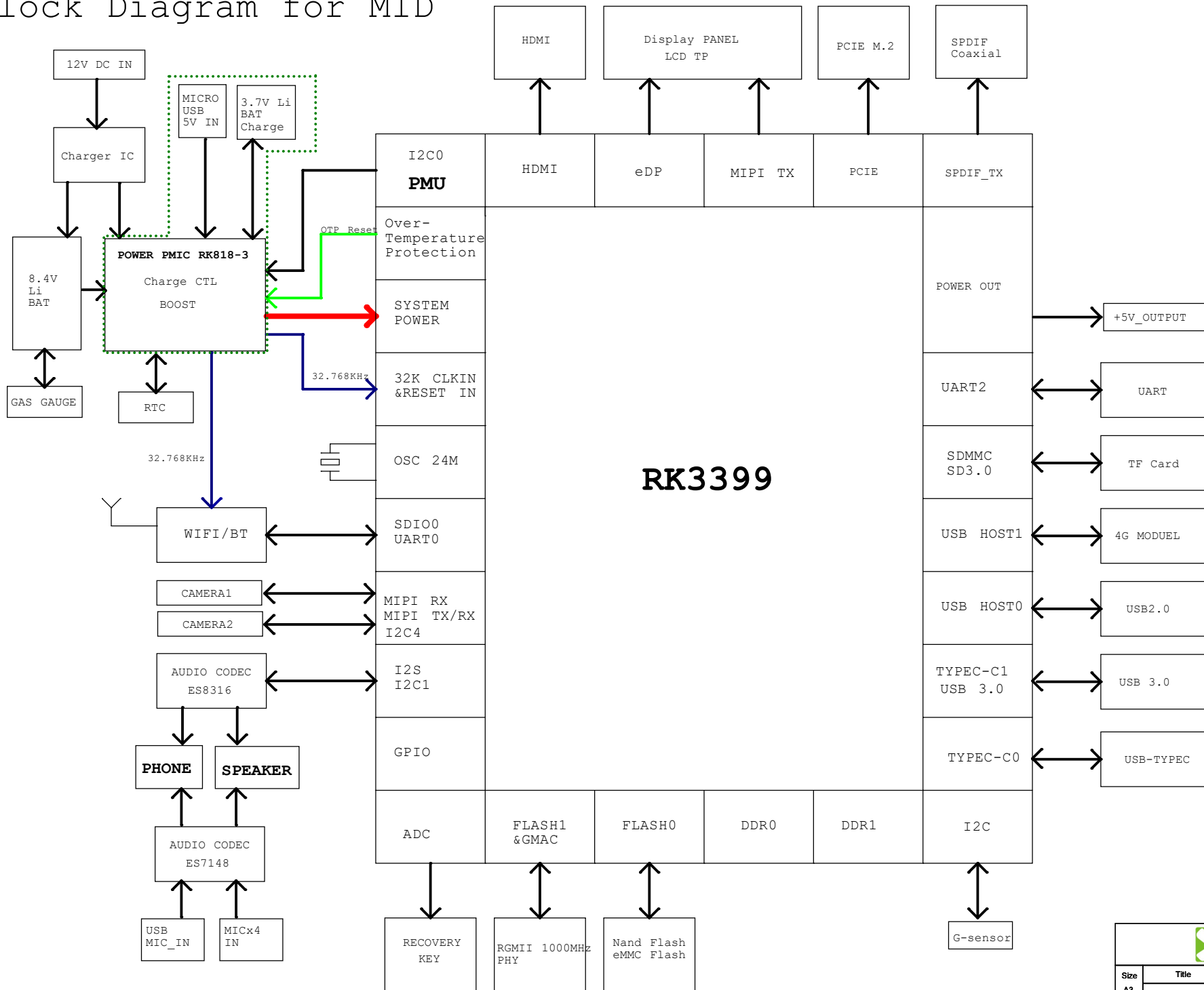
1:如果 Value 为 **DP**,说明暂时不贴。

2:如果 Option 有 **DP**,说明暂先不贴。

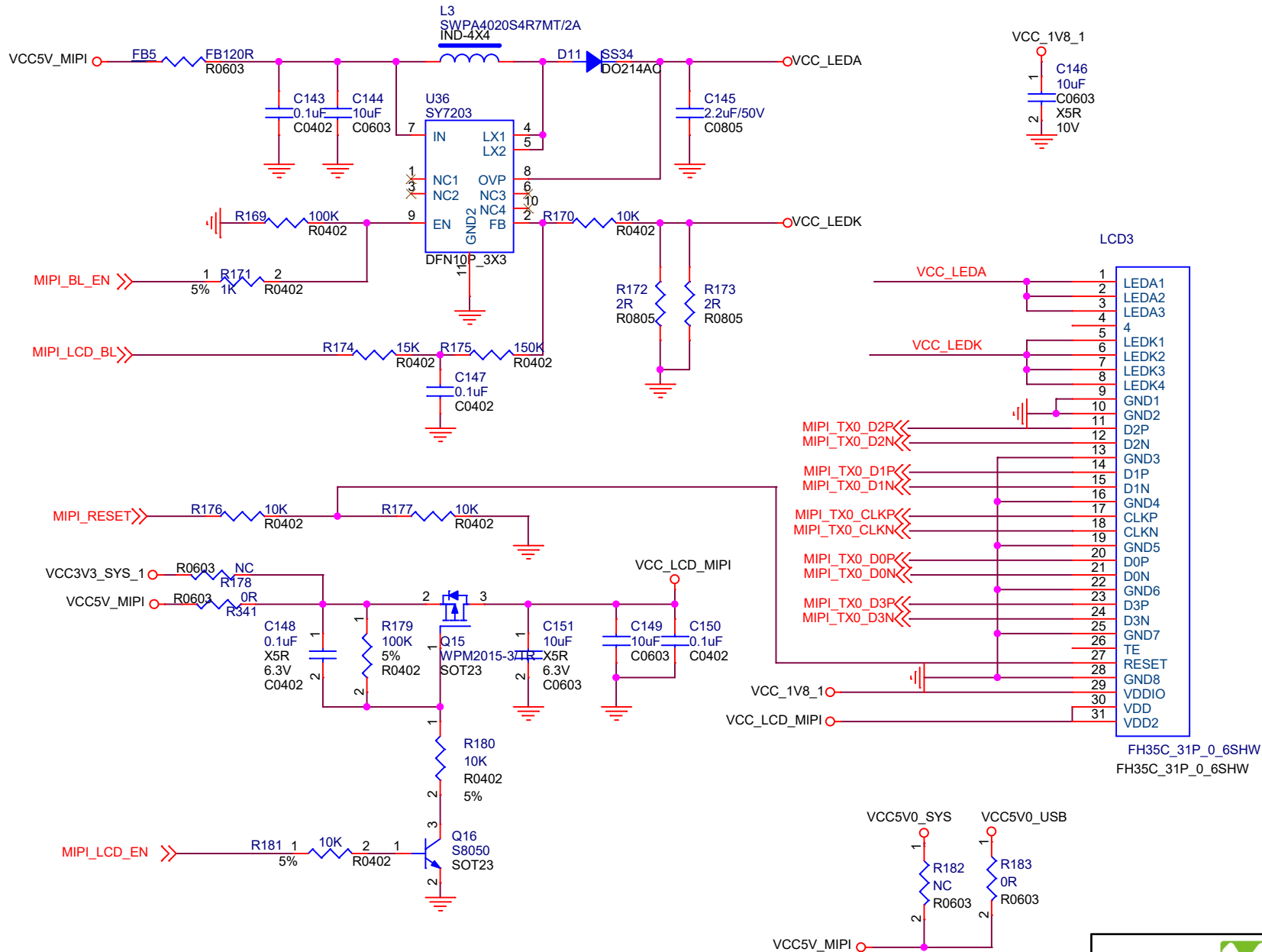


Size	Title	Fu Hai	REV
A4	Document Number	Index	1.1
Date:	Thursday, June 03, 2021	Sheet	01 of 18

Block Diagram for MID

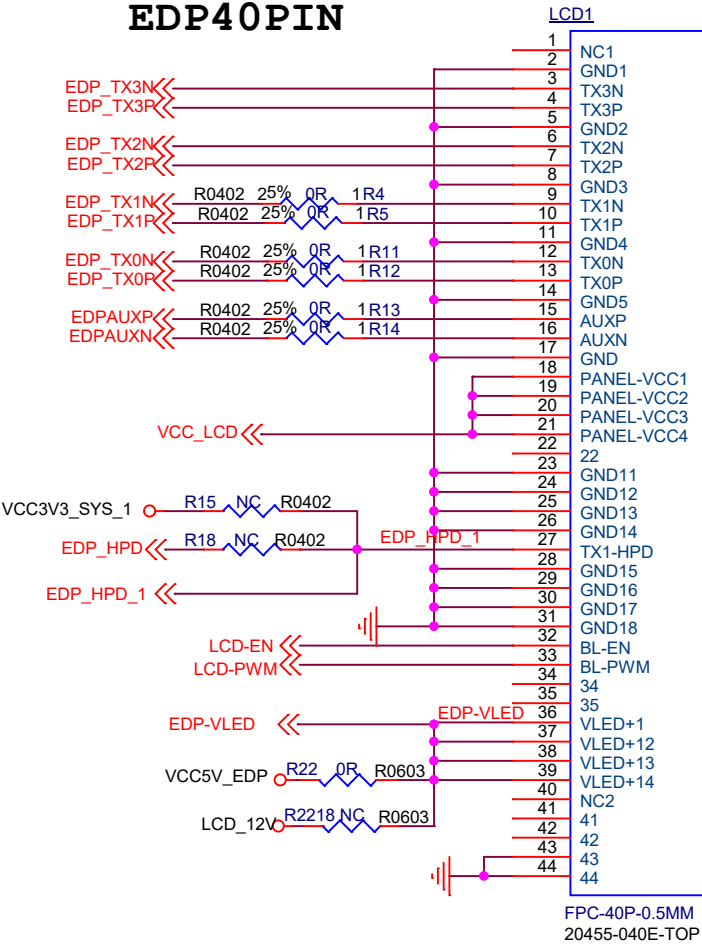


MIPI_LCD

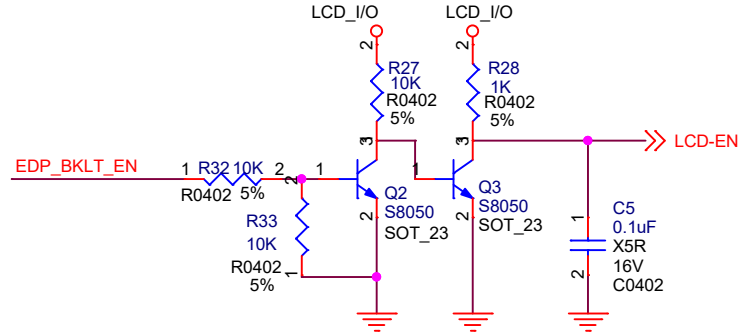
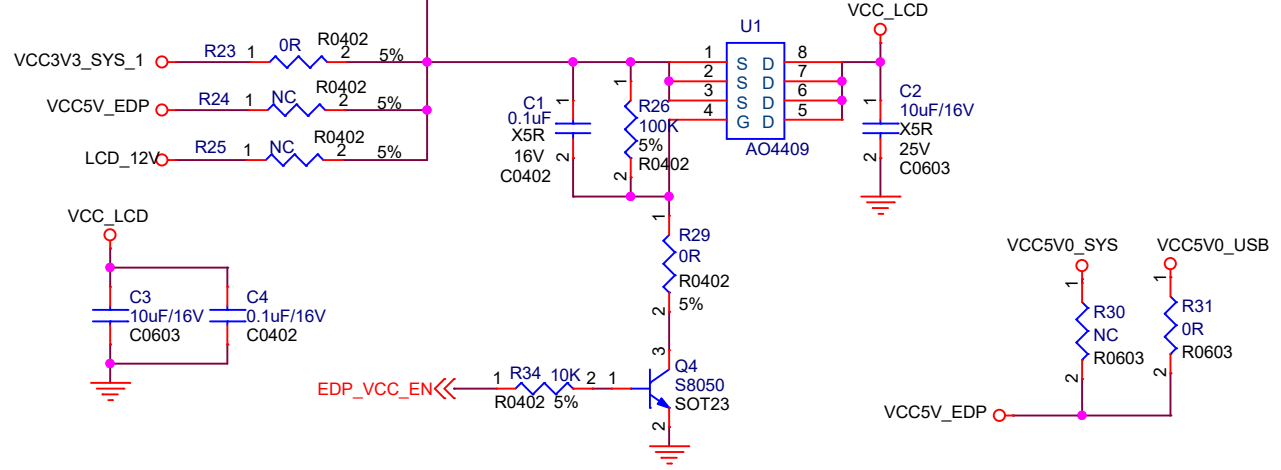
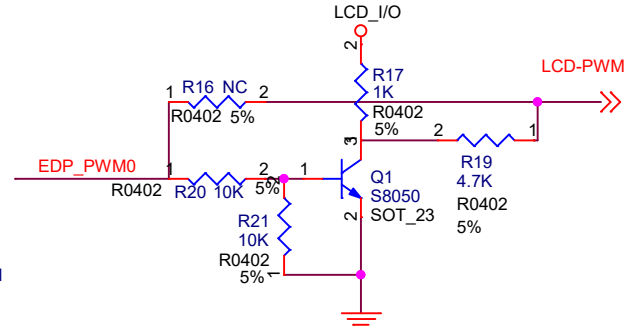
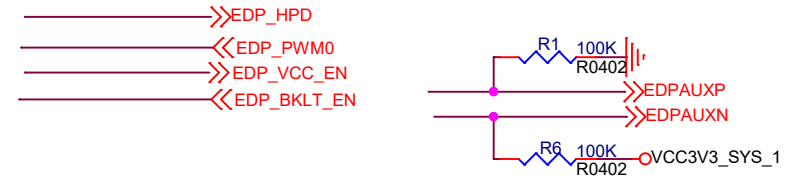
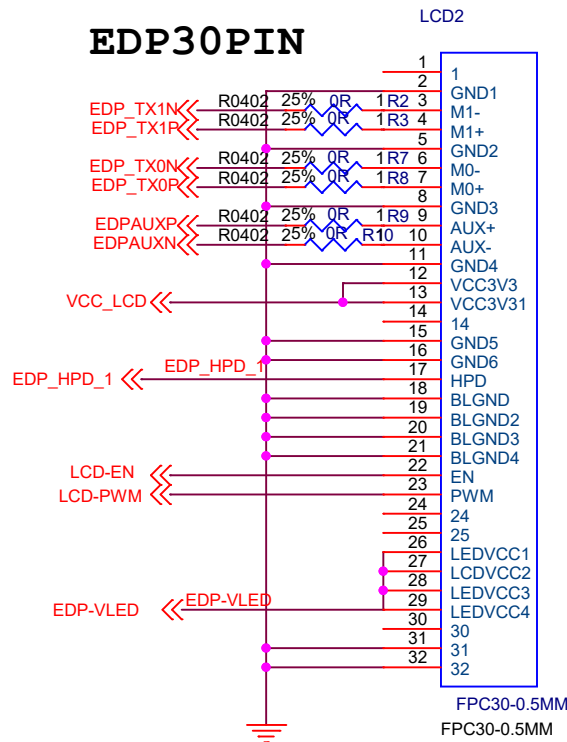


Size	Title		Fu Hai	REV
A4	Document Number		MIPI_LCD	1.1
Date:	Thursday, June 03, 2021	Sheet	03	of 18

EDP40PIN



EDP30PIN

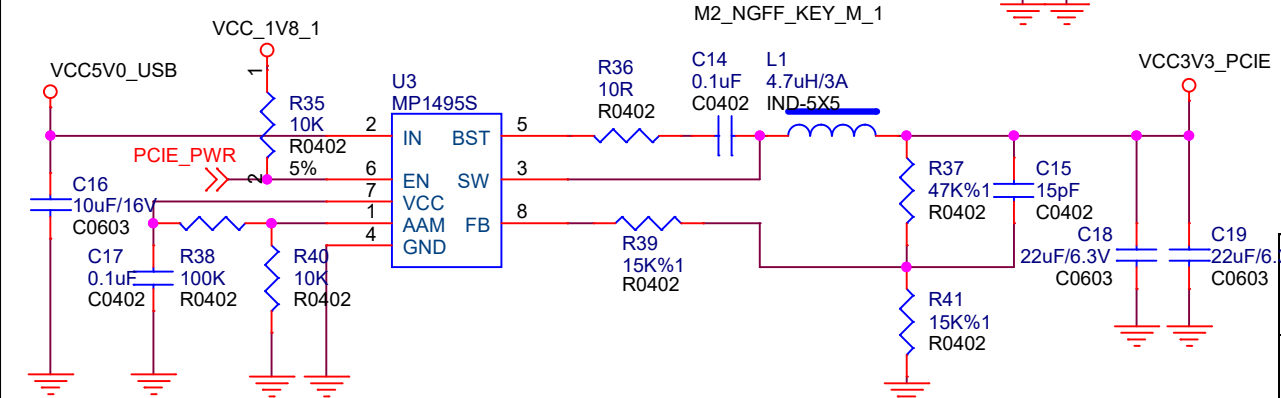
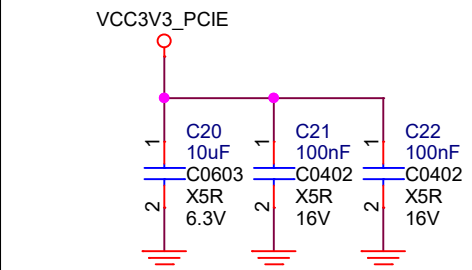
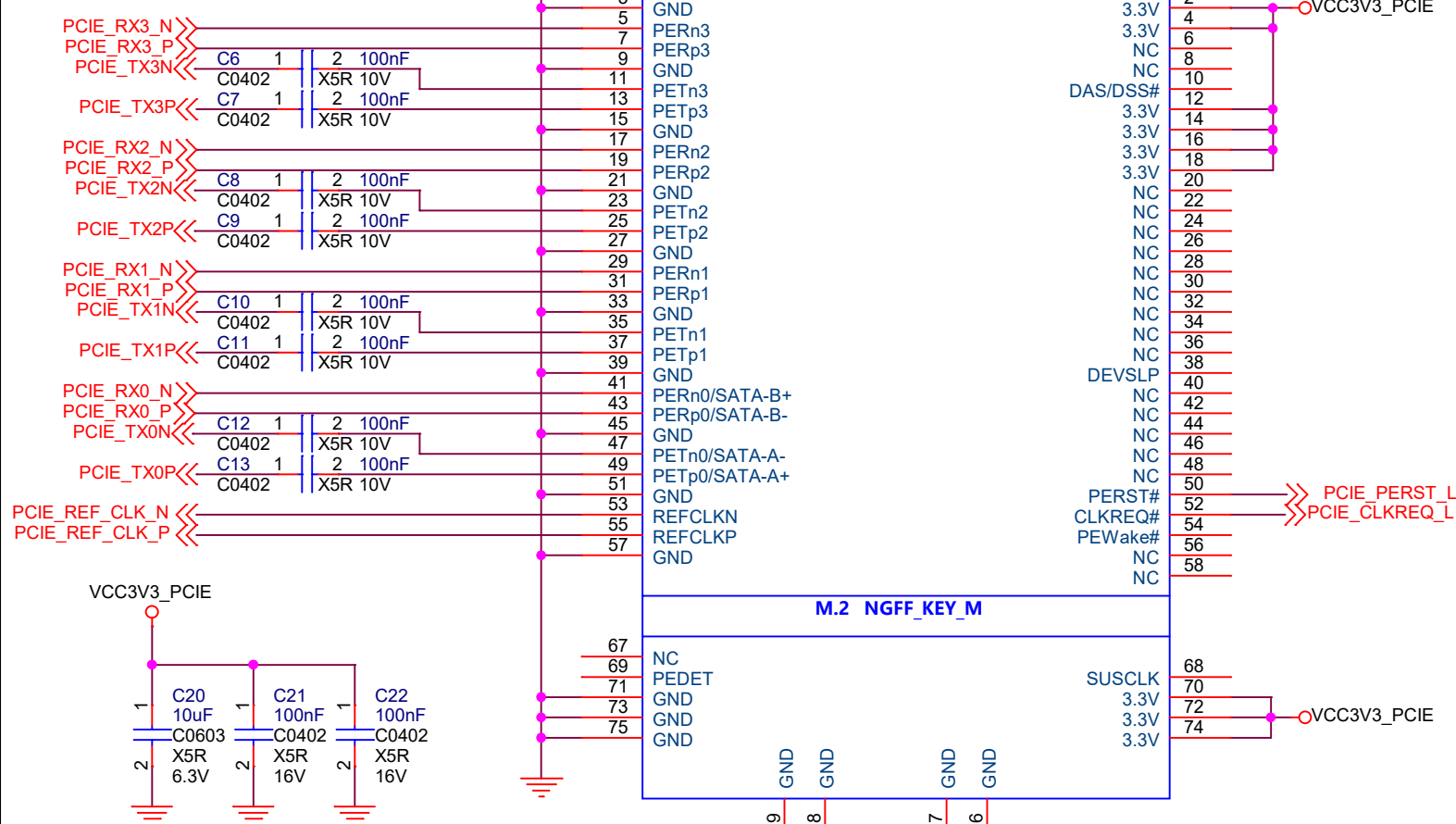


eDP Panel



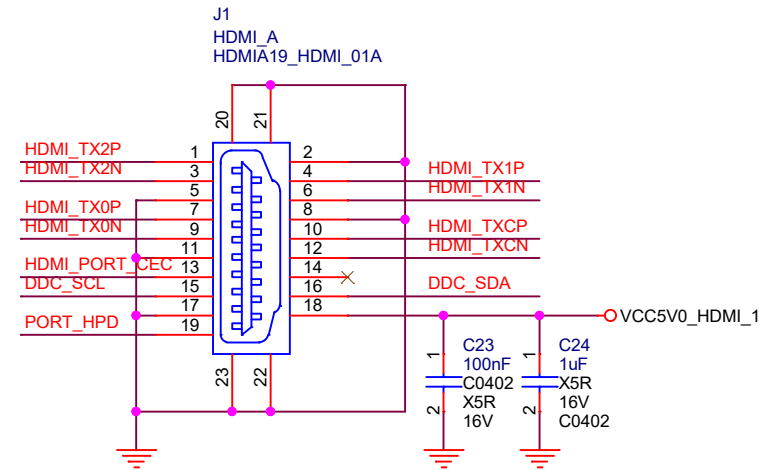
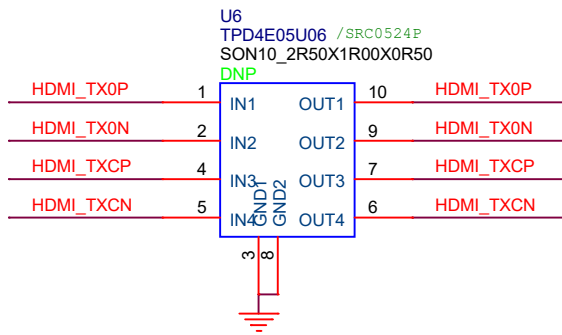
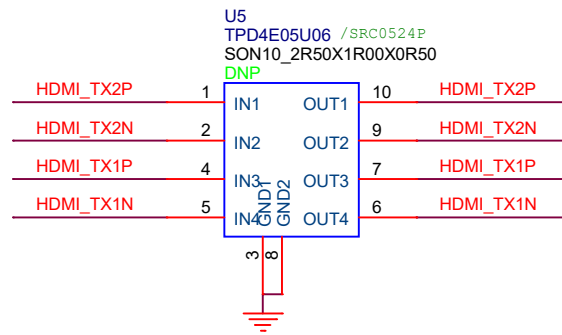
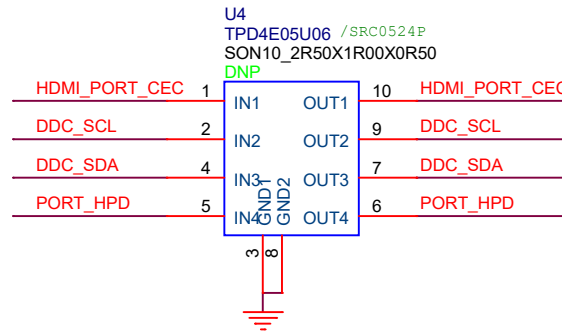
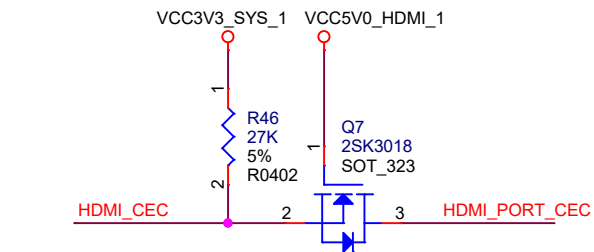
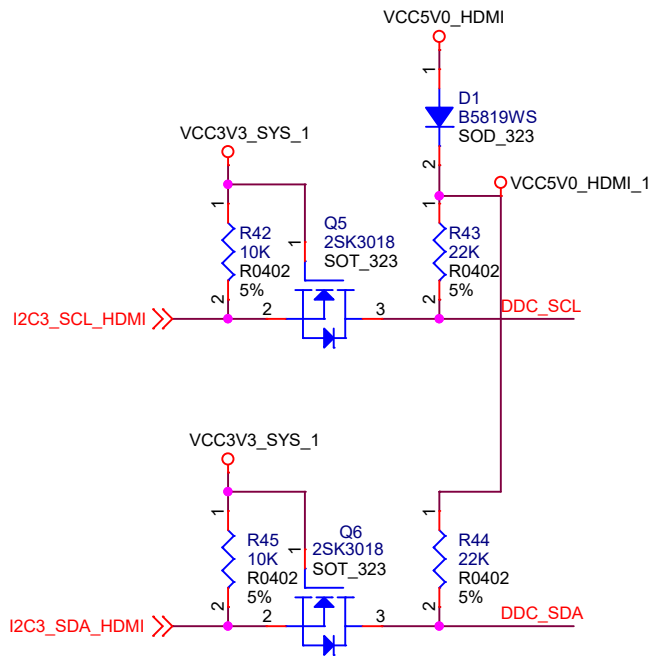
Size	Title		Fu Hai		REV
A4	Document Number		EDP		1.1
Date:	Thursday, June 03, 2021		Sheet	04	of 18

PCIe NGFF/M.2



Size	Title		REV
A	Fu Hai		1.1
	Document Number		
	PCIE M2		
Date:	Thursday, June 03, 2021	Sheet	05 of 18

HDMI OUT

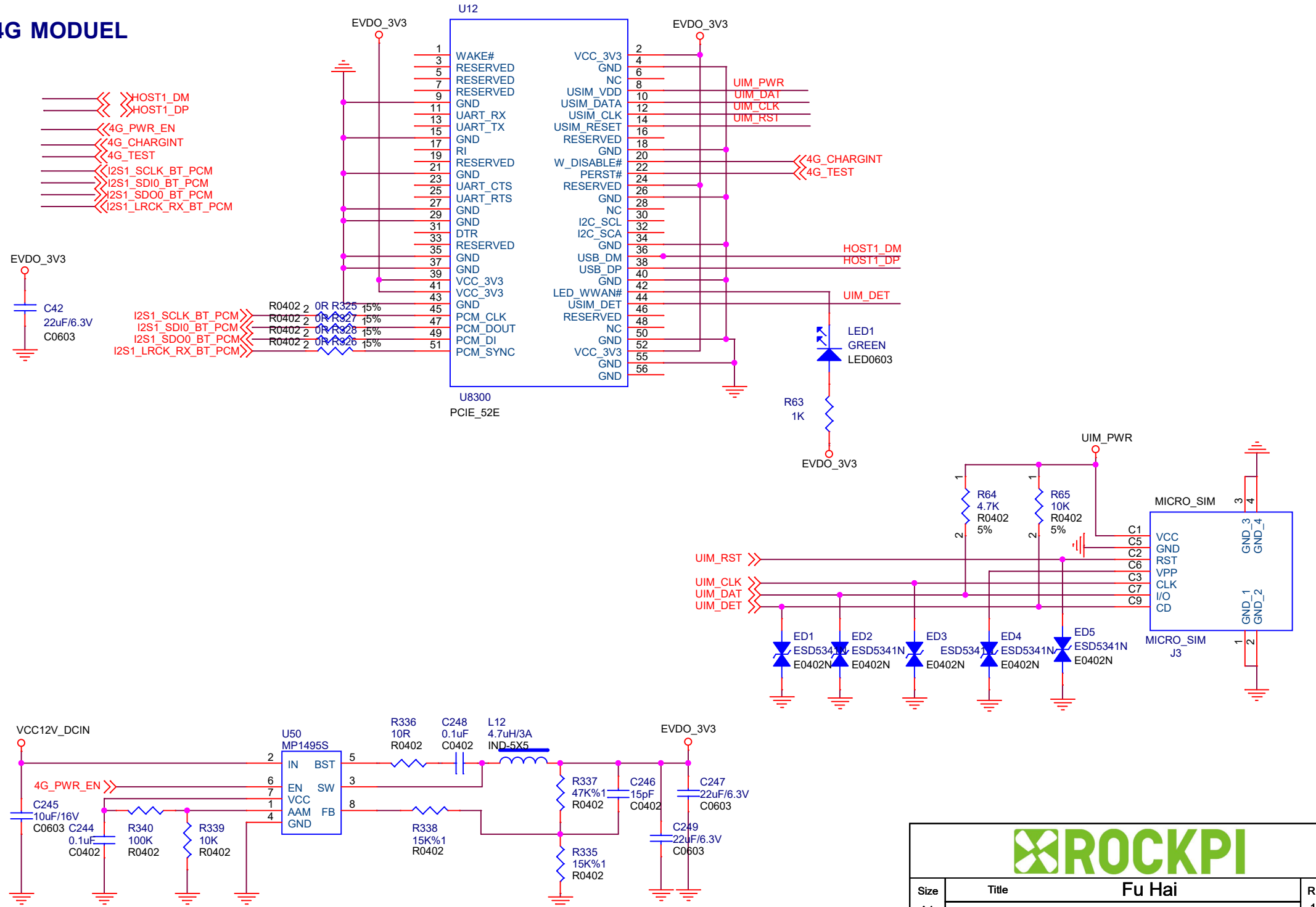


- << I2C3_SDA_HDMI
- << I2C3_SCL_HDMI
- >> HDMI_TX0P
- >> HDMI_TX0N
- >> HDMI_TX1P
- >> HDMI_TX1N
- >> HDMI_TX2P
- >> HDMI_TX2N
- >> HDMI_TXCP
- >> HDMI_TXCN
- >> HDMI_CEC
- >> PORT_HPDI



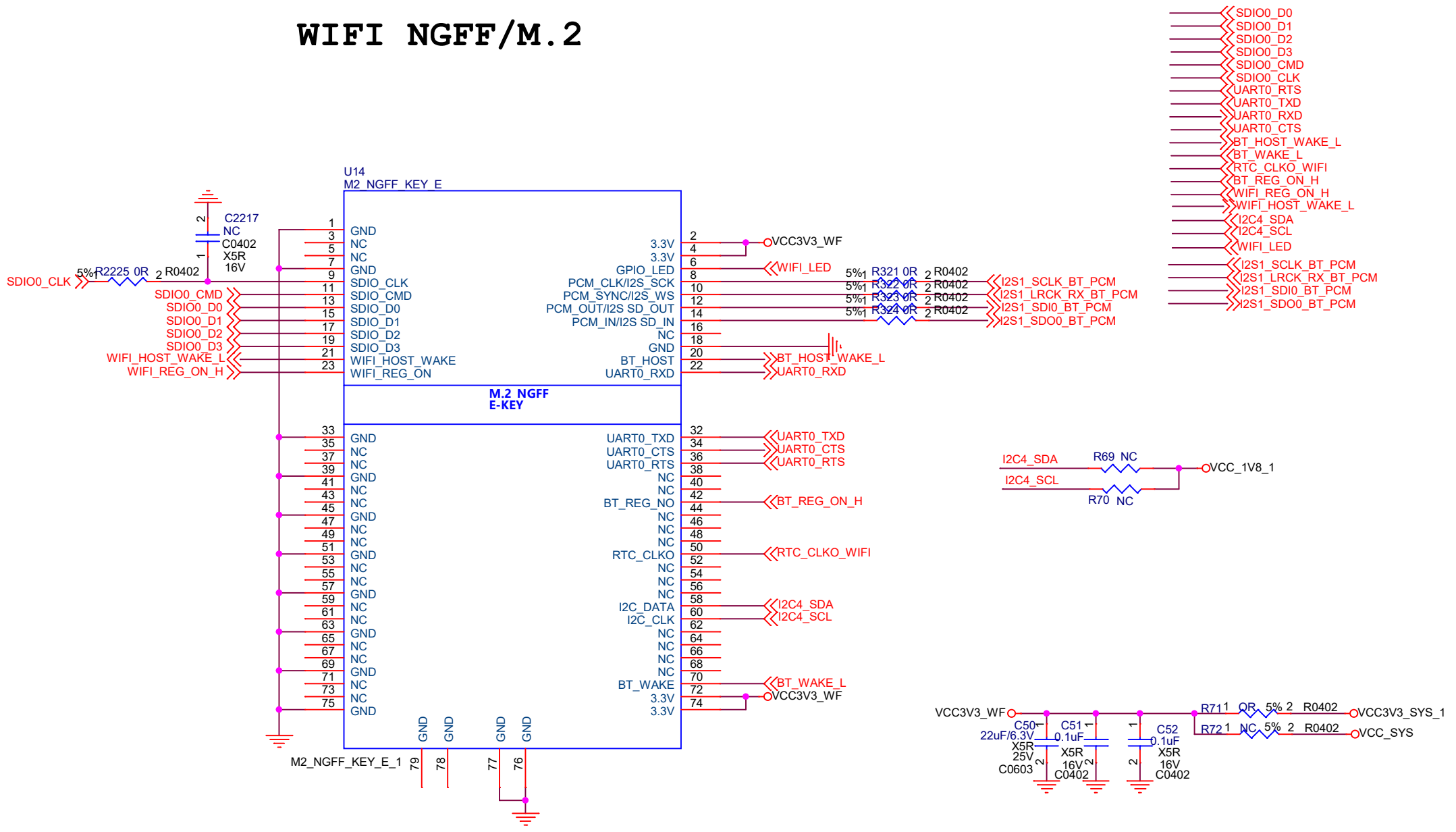
Size	Title	Fu Hai	REV
A4	Document Number	HDMI OUT	1.1
Date:	Thursday, June 03, 2021	Sheet	06 of 18

4G MODUEL



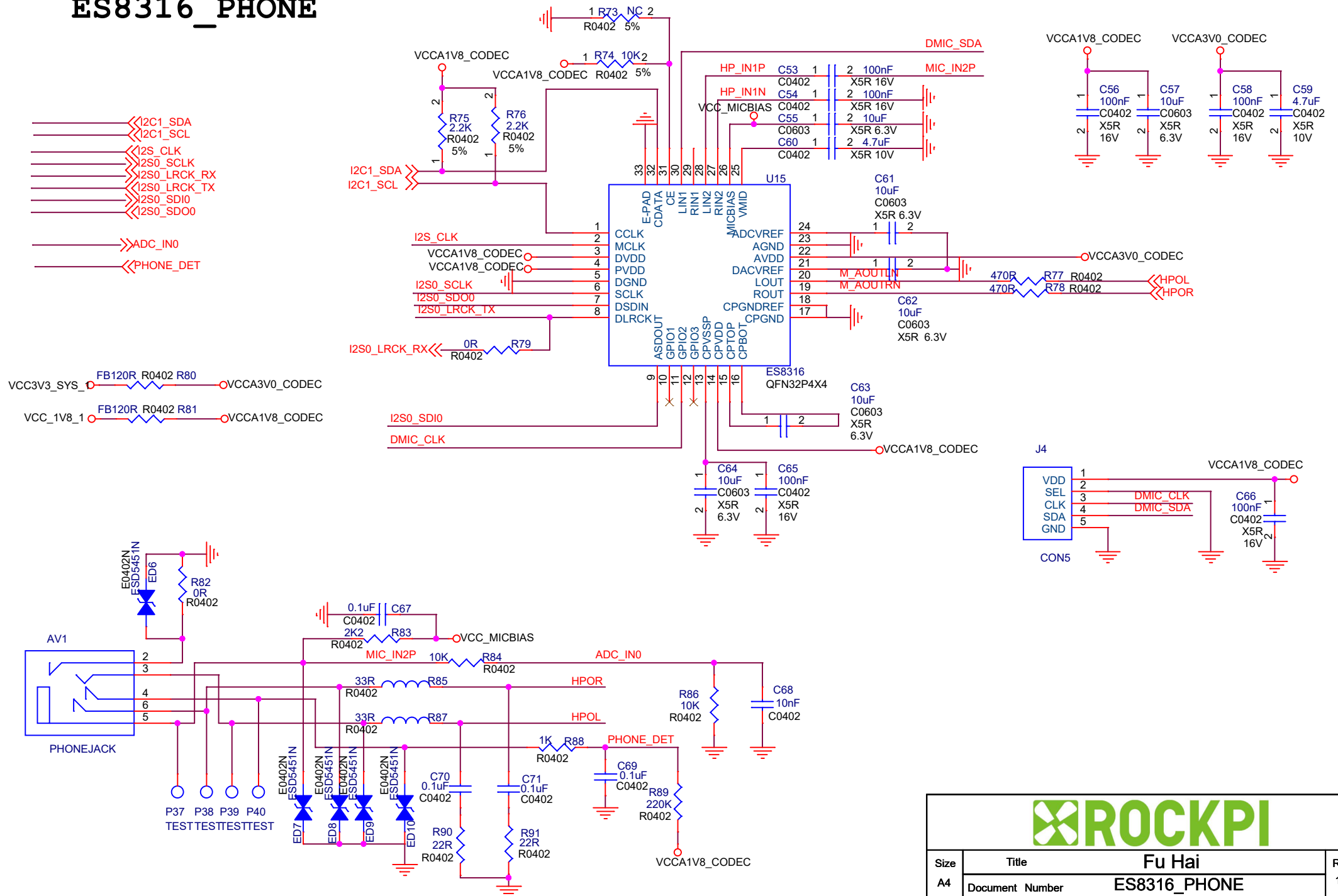
Size	Title	Fu Hai	REV
A4	Document Number	4G	1.1
Date:	Thursday, June 03, 2021	Sheet	07 of 18

WIFI NGFF/M.2



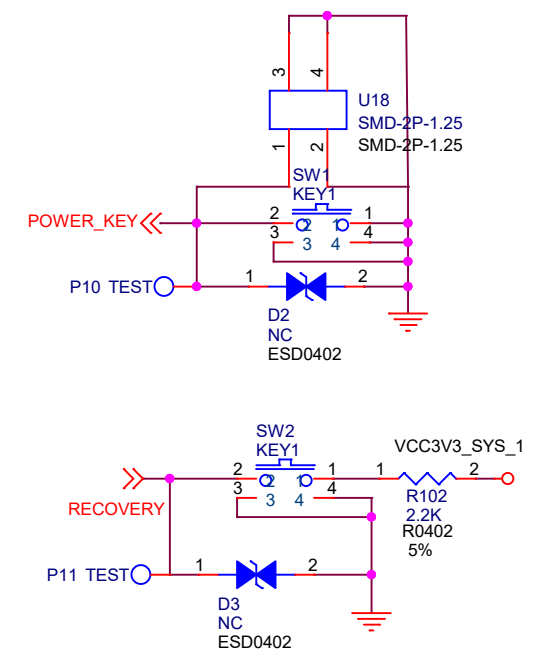
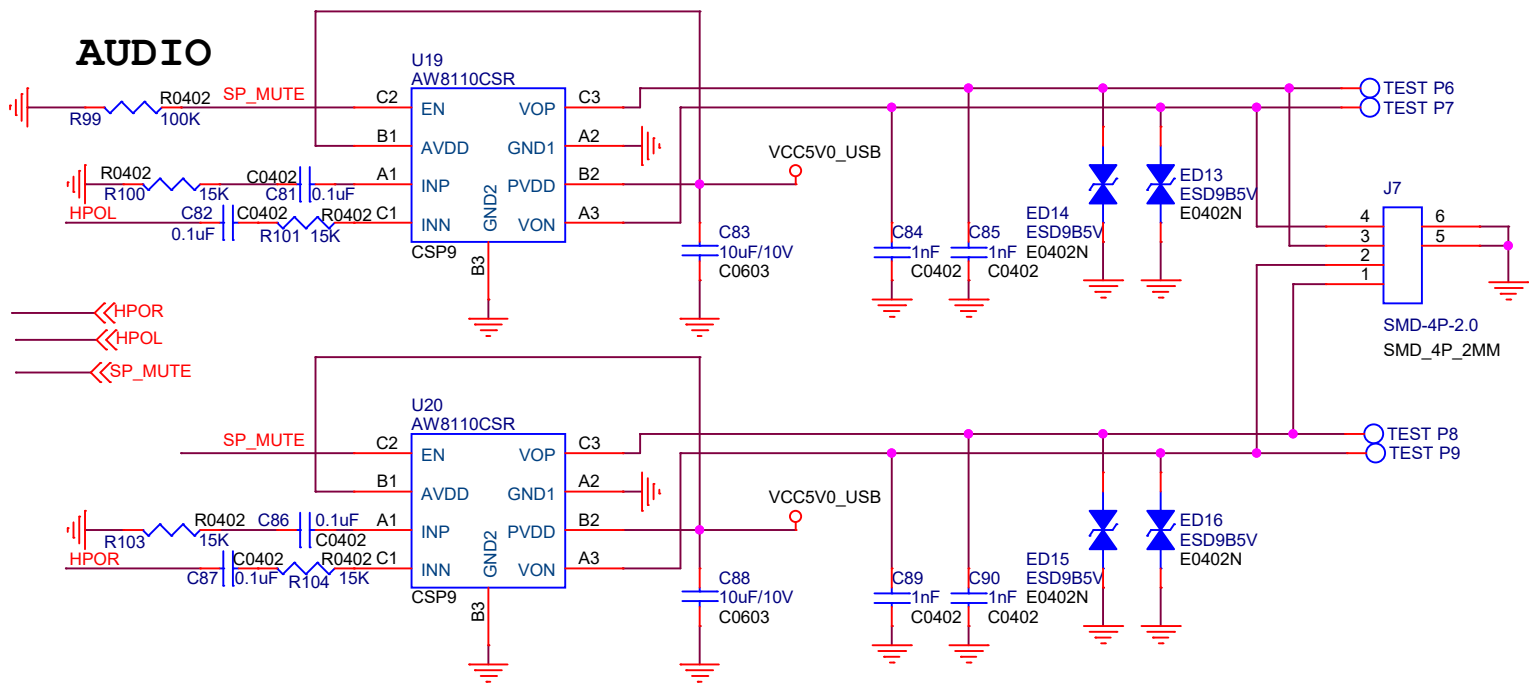
Size	Title		Fu Hai	REV
A4	Document Number		WIFI	1.1
Date:	Thursday, June 03, 2021	Sheet	08	of 18

ES8316_PHONE

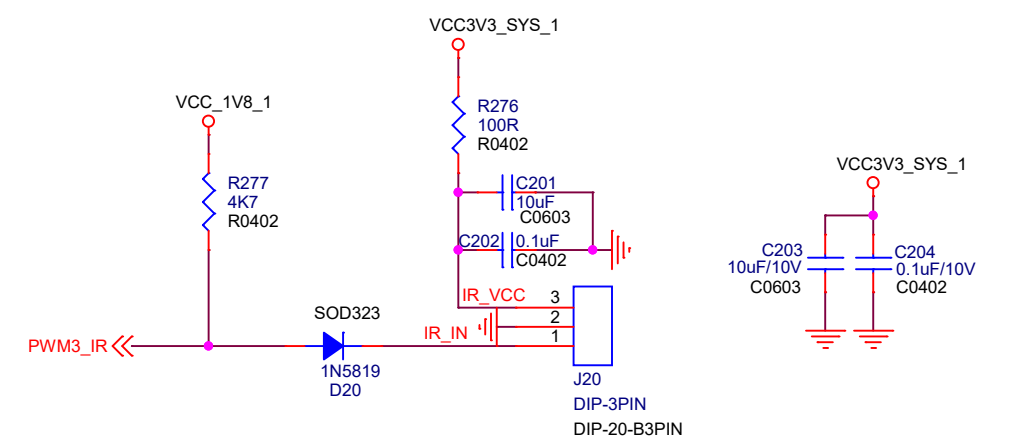
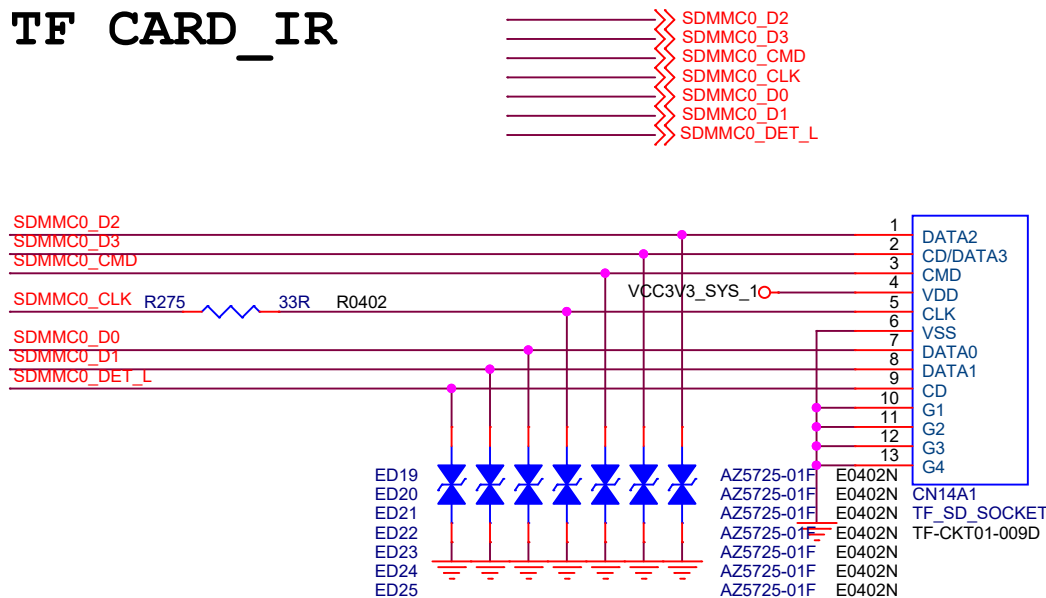


Size	Title	Fu Hai	REV
A4	Document Number	ES8316_PHONE	1.1
Date:	Thursday, June 03, 2021	Sheet	09 of 18

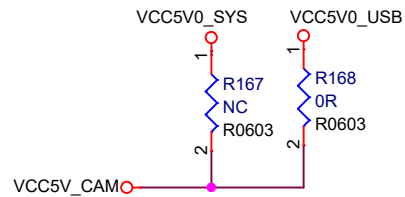
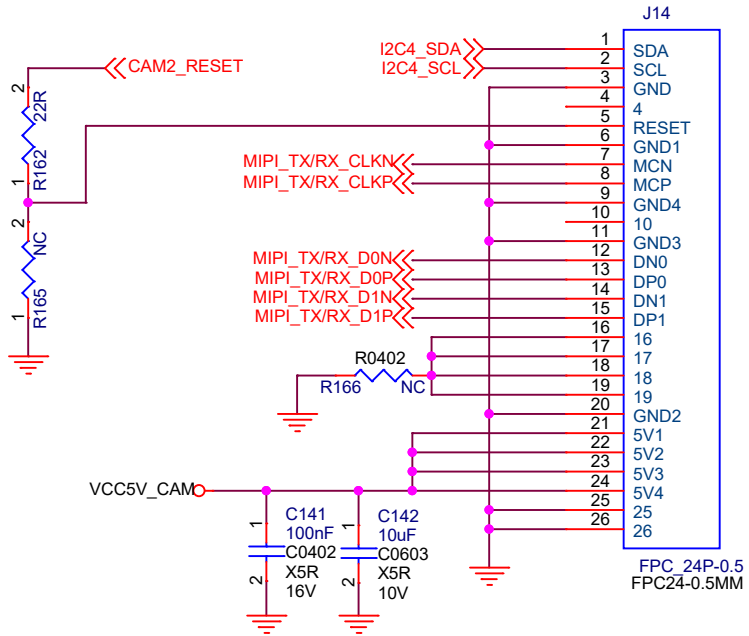
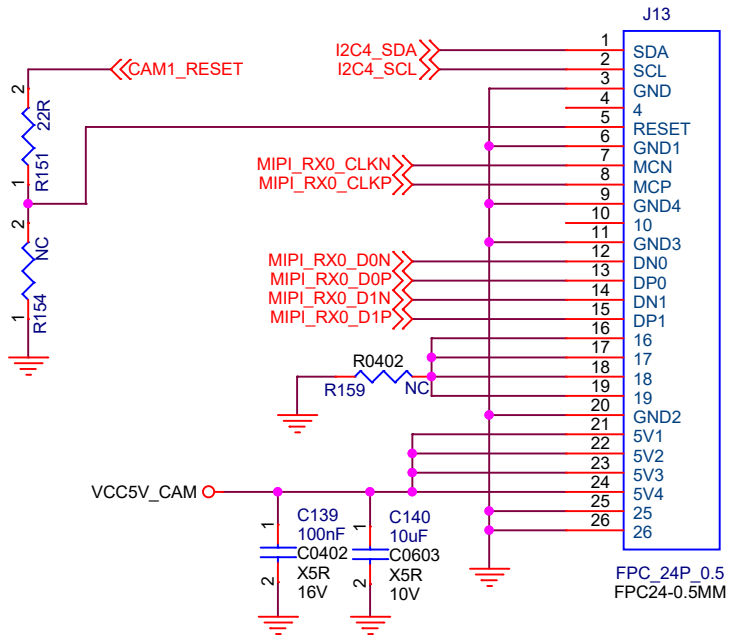
AUDIO



TF CARD_IR

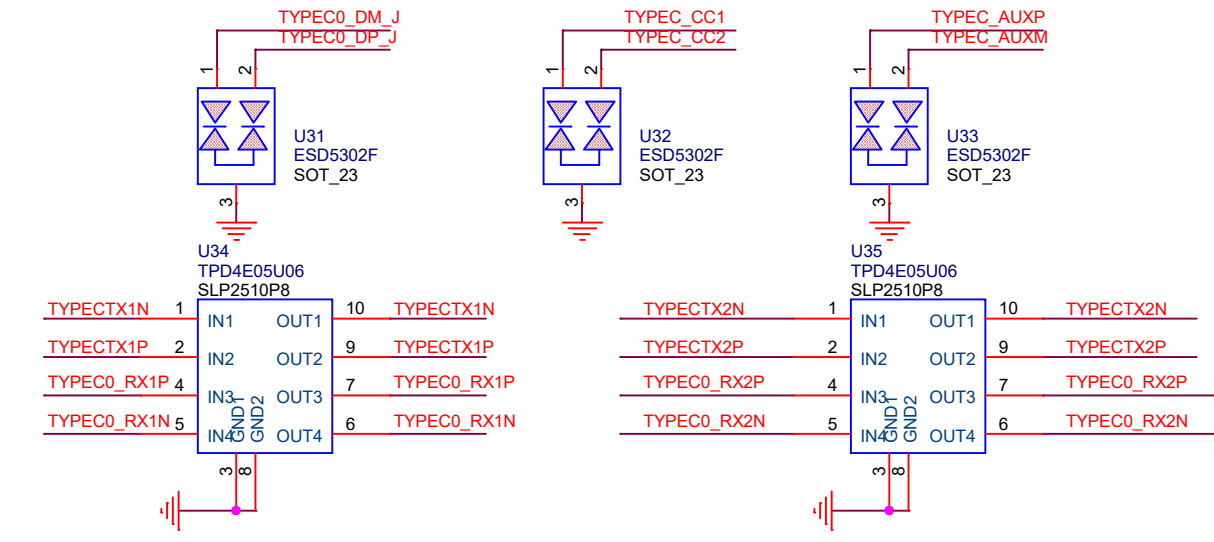
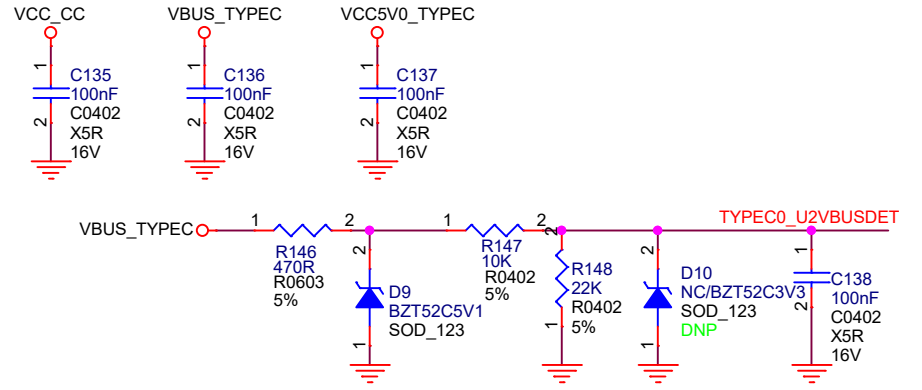
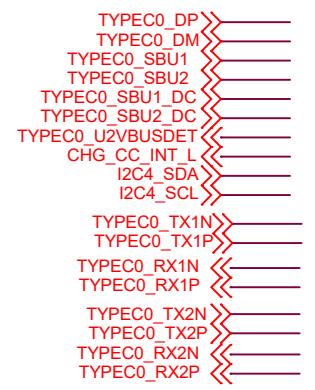
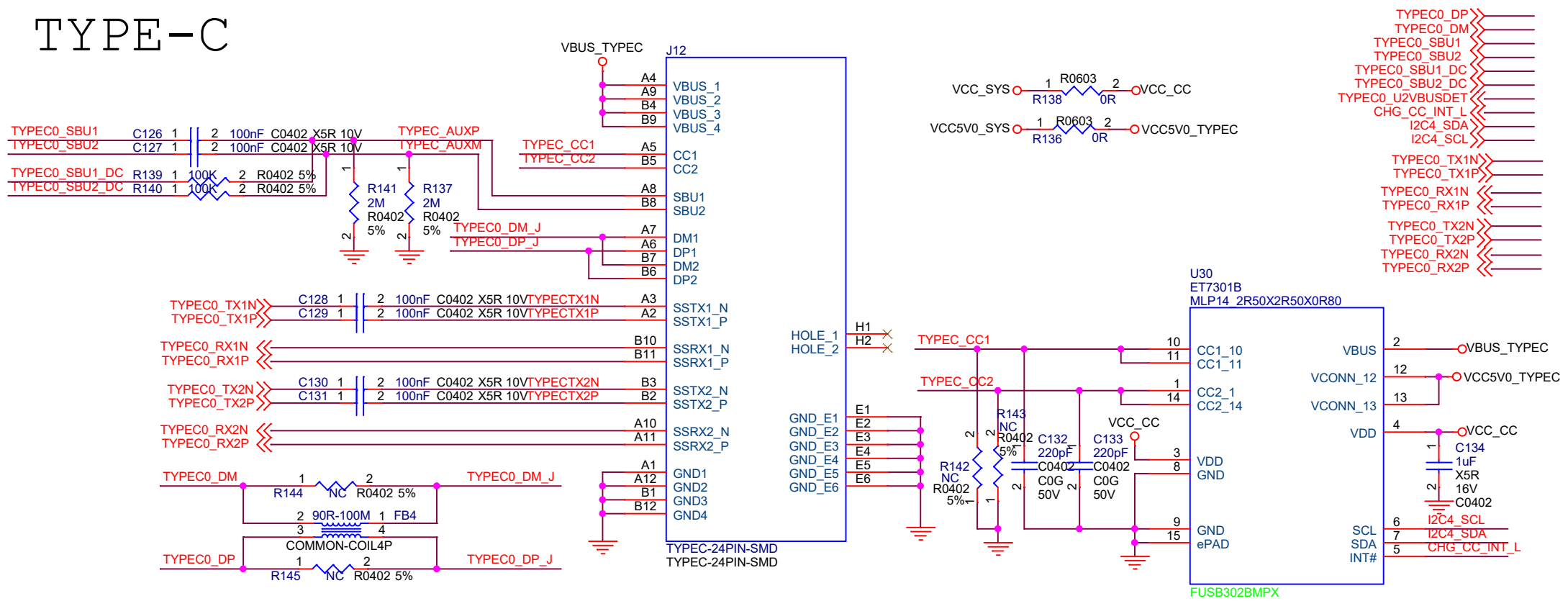



Size		Title		Fu Hai		REV	
A4		Document Number		AUDIO_TF_IR		1.1	
Date:		Thursday, June 03, 2021		Sheet		10 of 18	



Size	Title	Fu Hai	REV
A4	Document Number	CAM	1.1
Date:	Thursday, June 03, 2021	Sheet	11 of 18

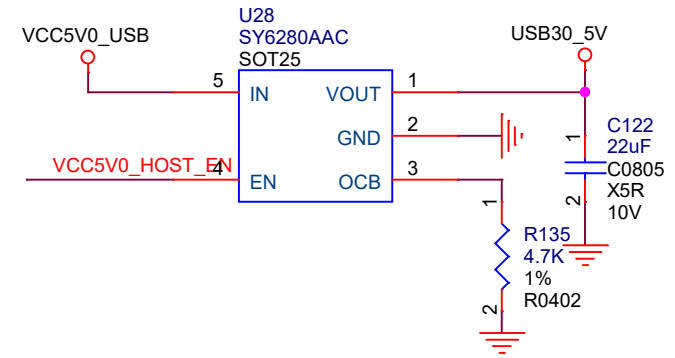
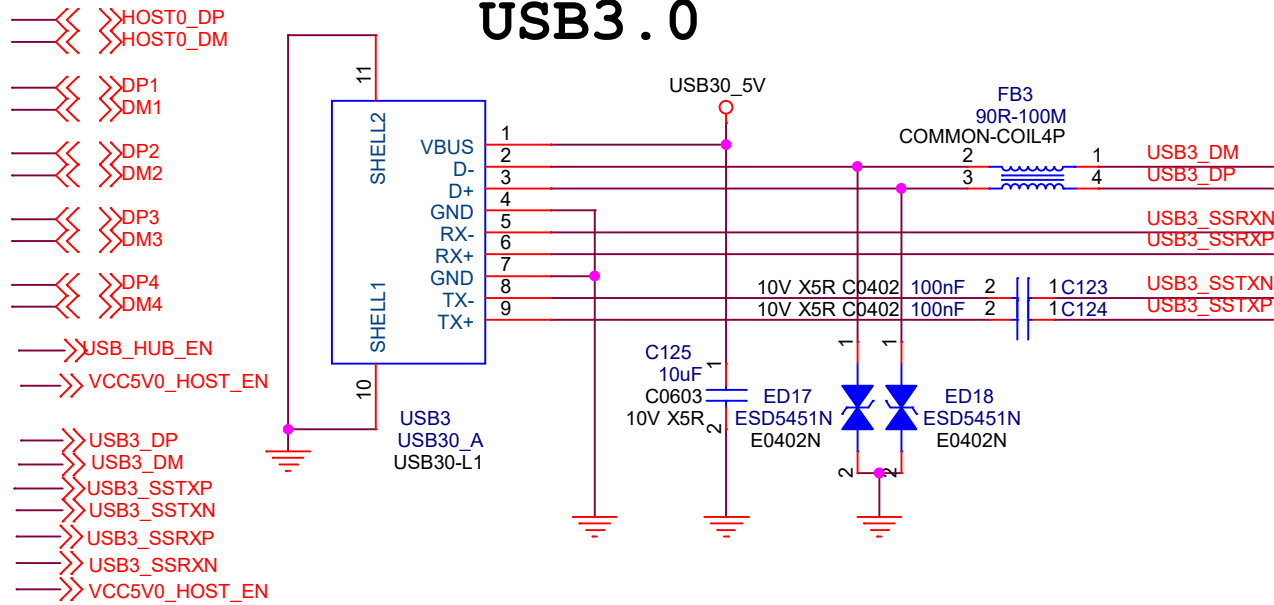
TYPE-C



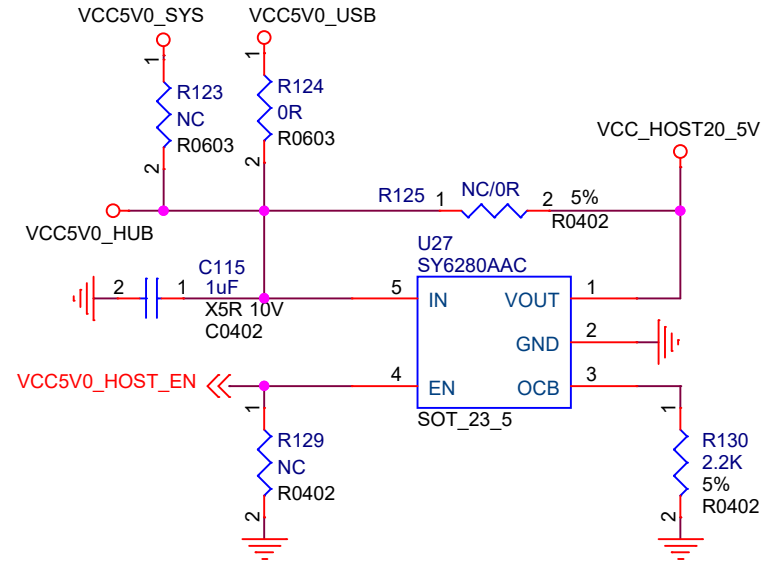
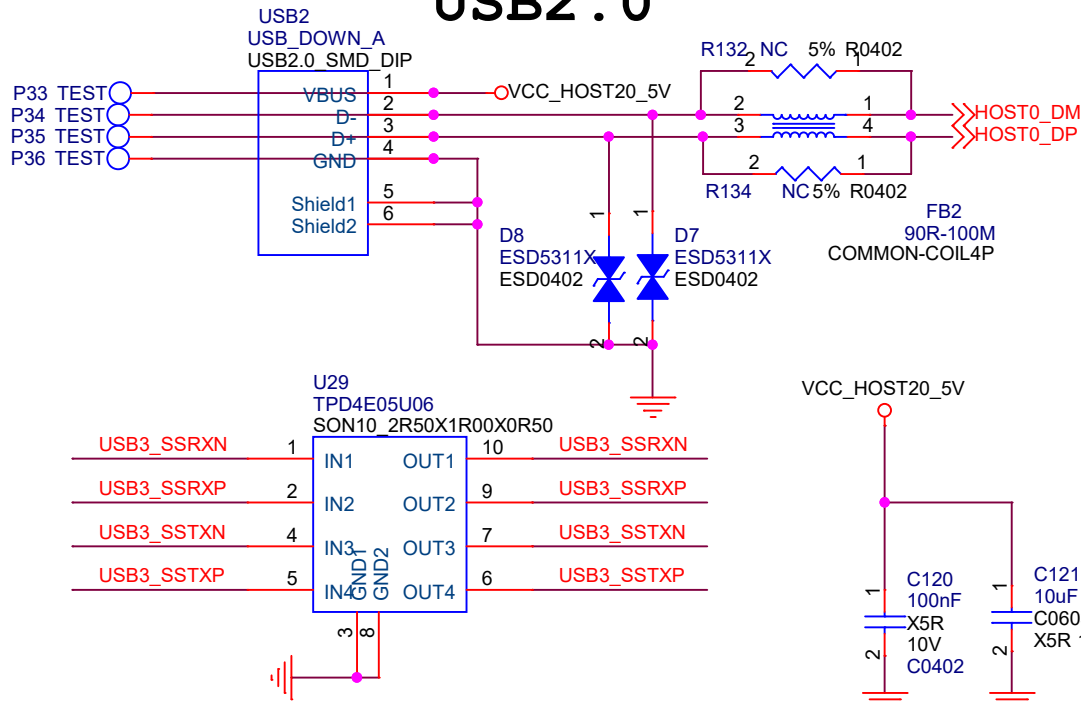


Size	Title	Fu Hai	
A4	Document Number	TYPE_C	REV
Date:	Thursday, June 03, 2021	Sheet	12 of 18

USB3.0

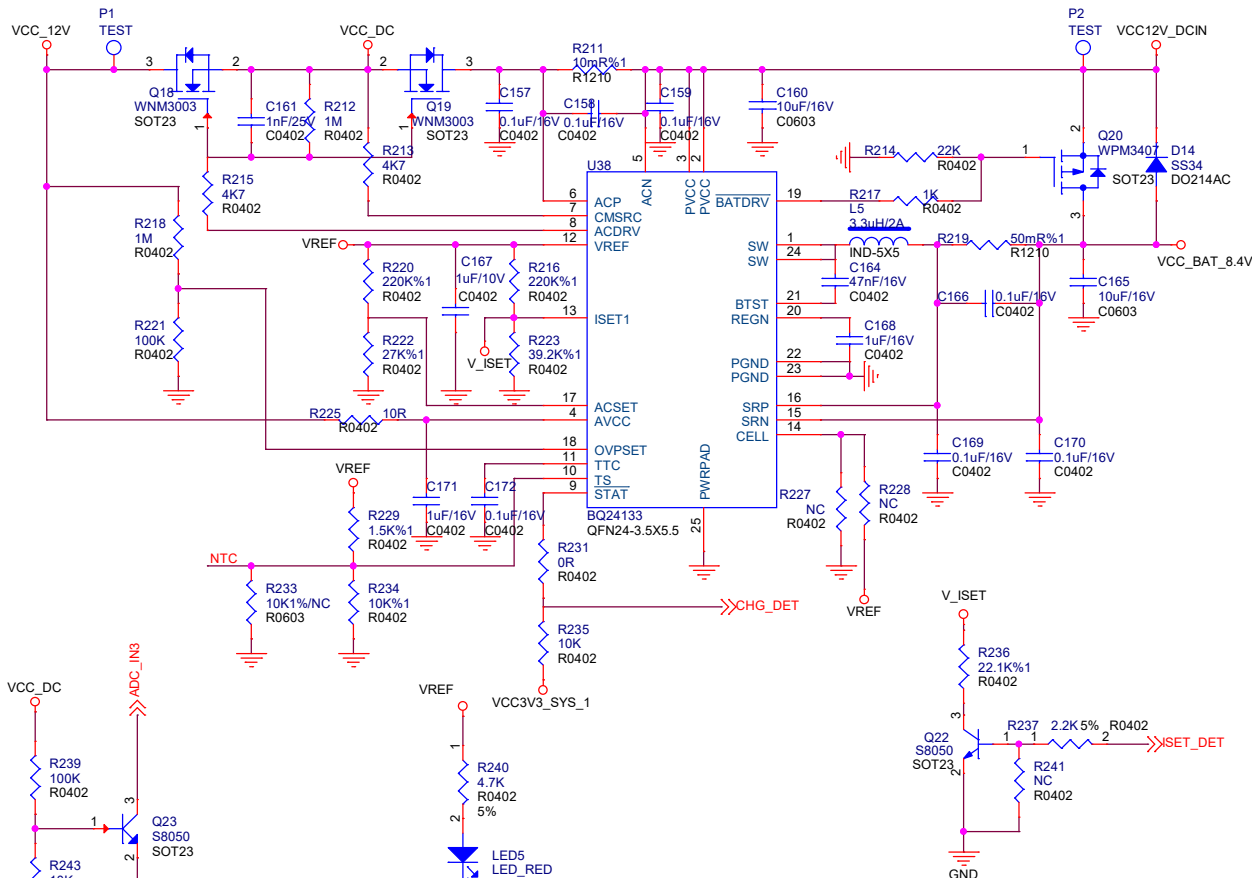


USB2.0

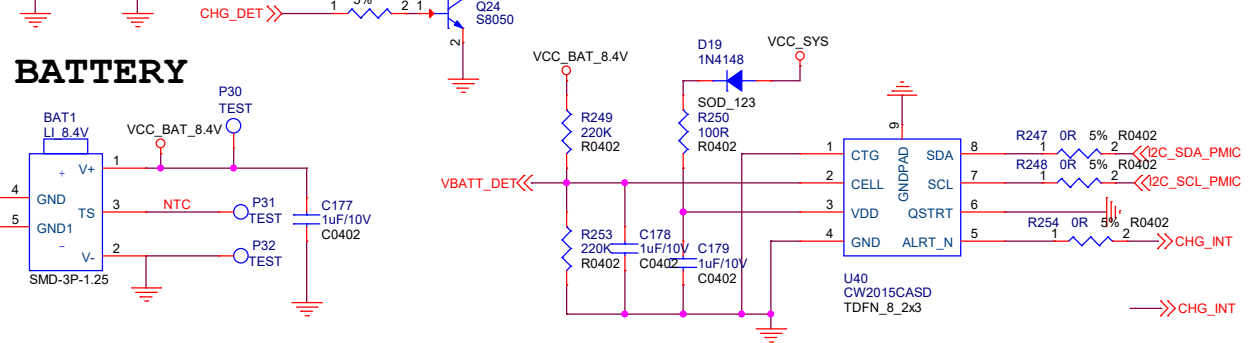


Size		Title		REV
		Fu Hai		
A		Document Number		1.1
		USB2.0/3.0		
Date:	Thursday, June 03, 2021	Sheet	13 of 18	

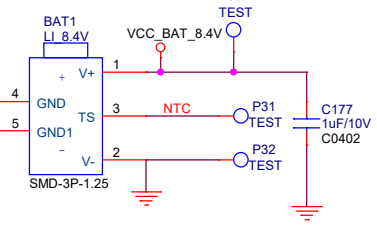
Charger and Power Path Management



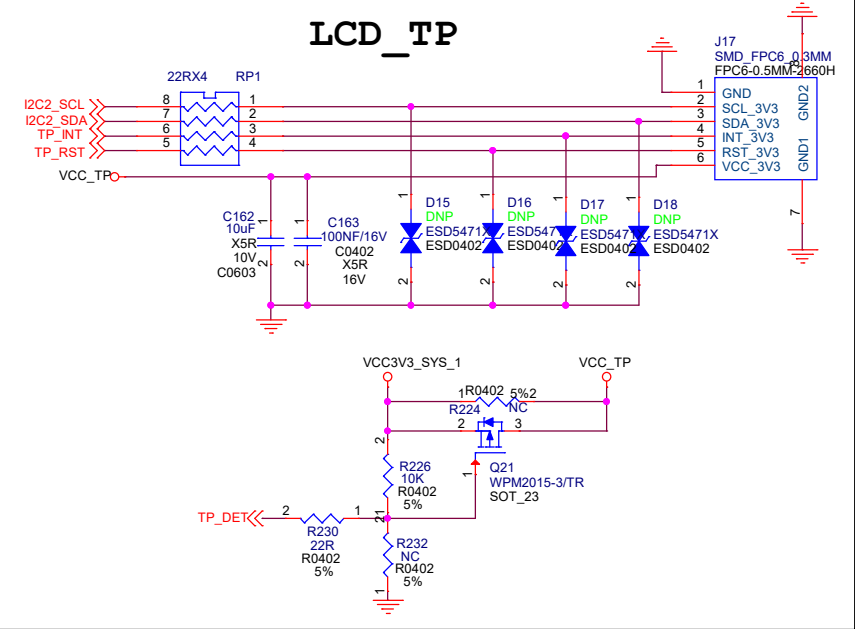
Gas Gauge



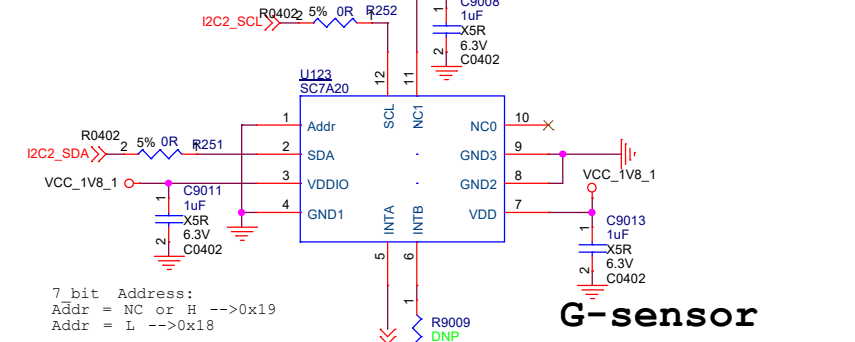
BATTERY



LCD_TP



Accelerometer

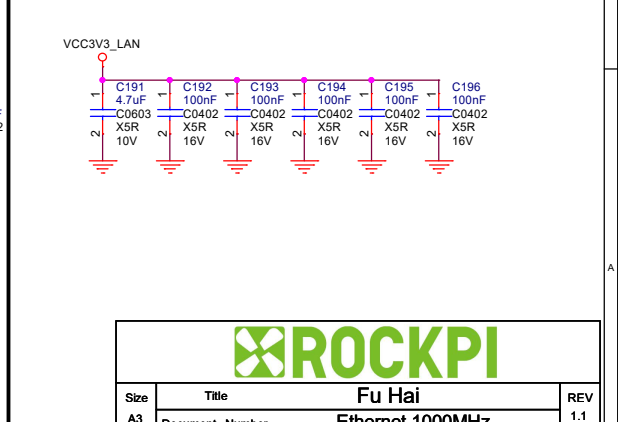
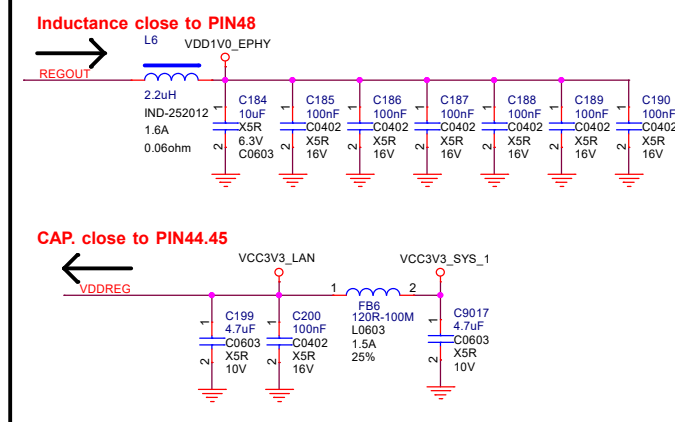
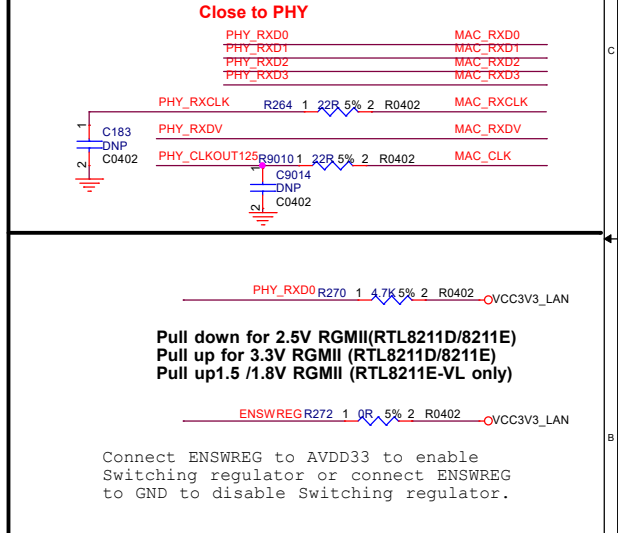
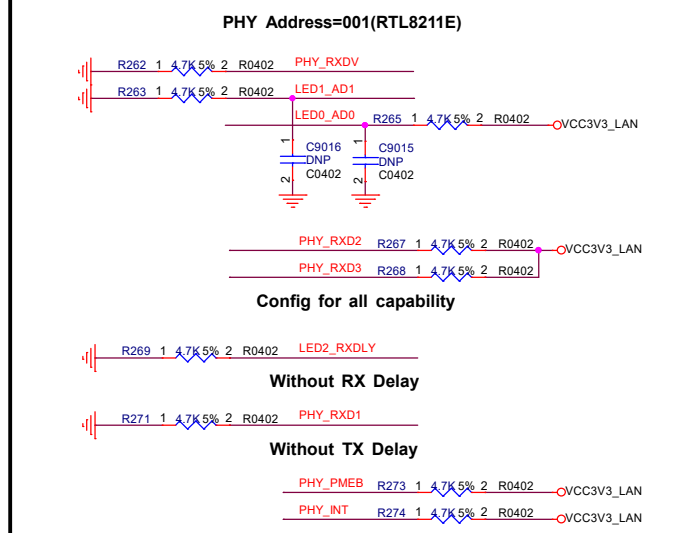
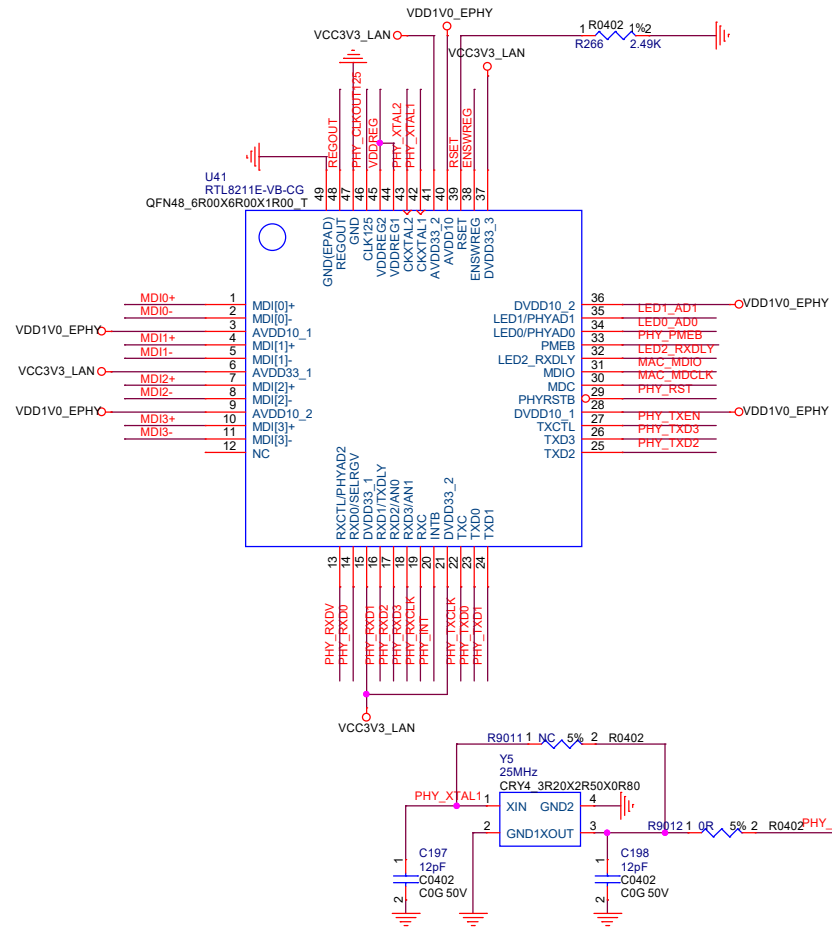
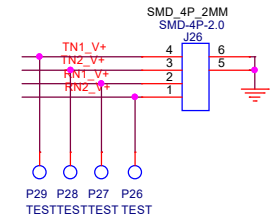
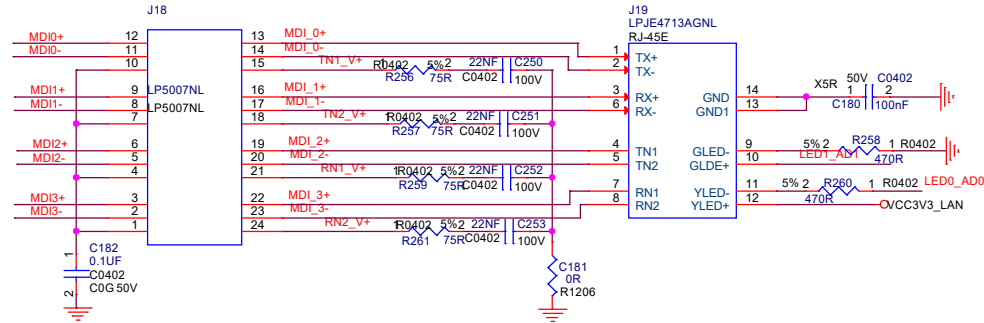
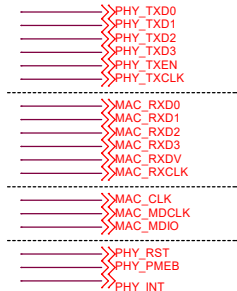


G-sensor

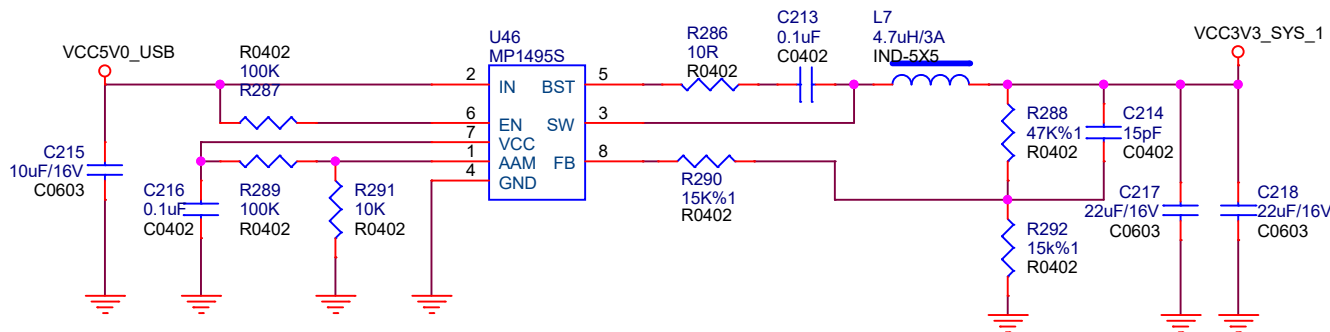
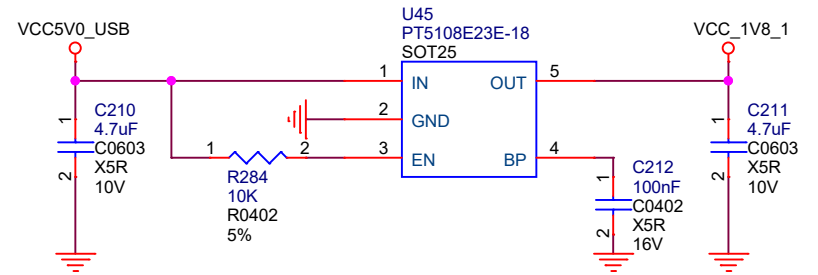
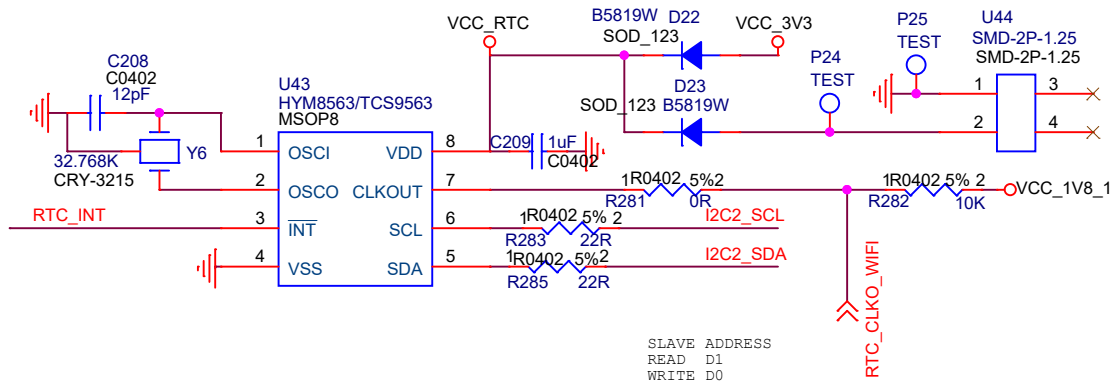
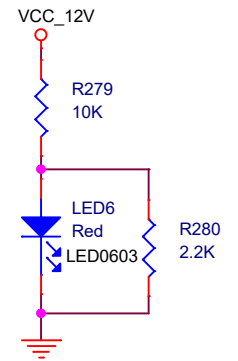
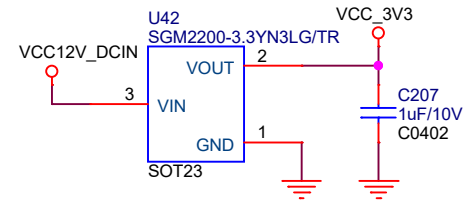
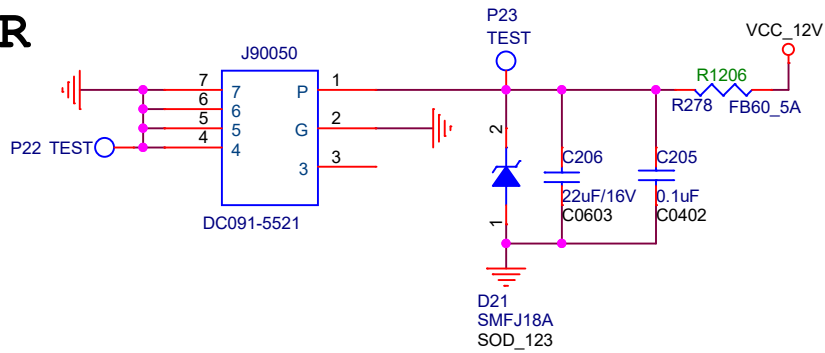
	LIS3DH	MMA8452Q	LSM303D
	NC	NC	4.7uF
	0ohm	NC	NC
	NC	0ohm	NC
	NC	0.1uF	0.22uF
	NC	NC	0R
	NC	NC	0R

Size	Title	Fu Hai	REV
B	Document Number	Charger_Sensor_TP	1.1
Date:	Thursday, June 03, 2021	Sheet	14 of 18

GMAC 10/100/1000 RGMII Ethernet PHY

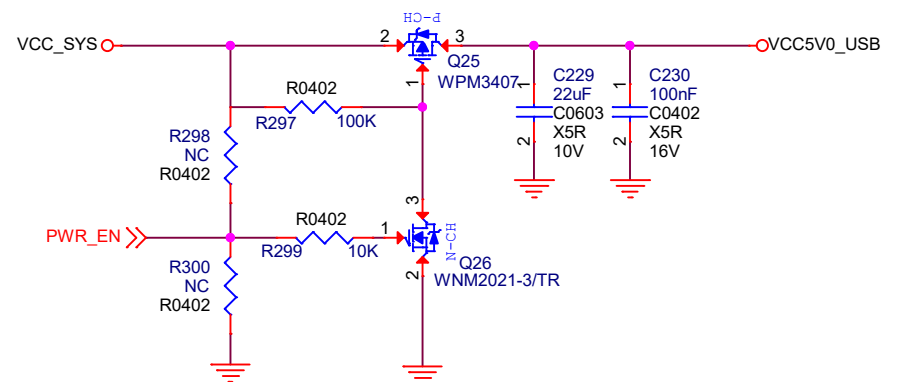
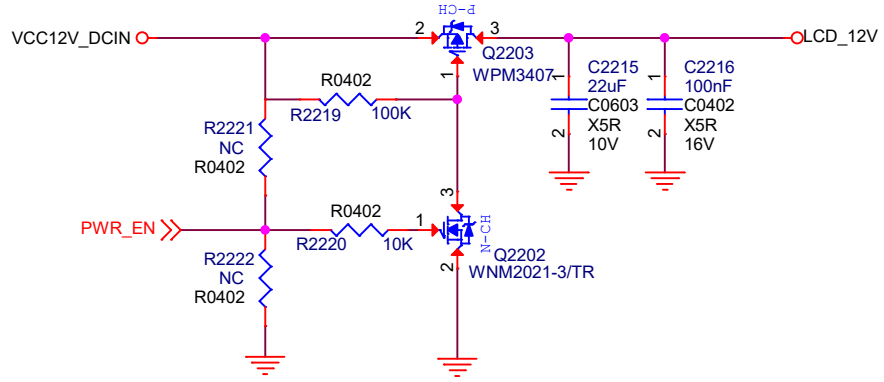
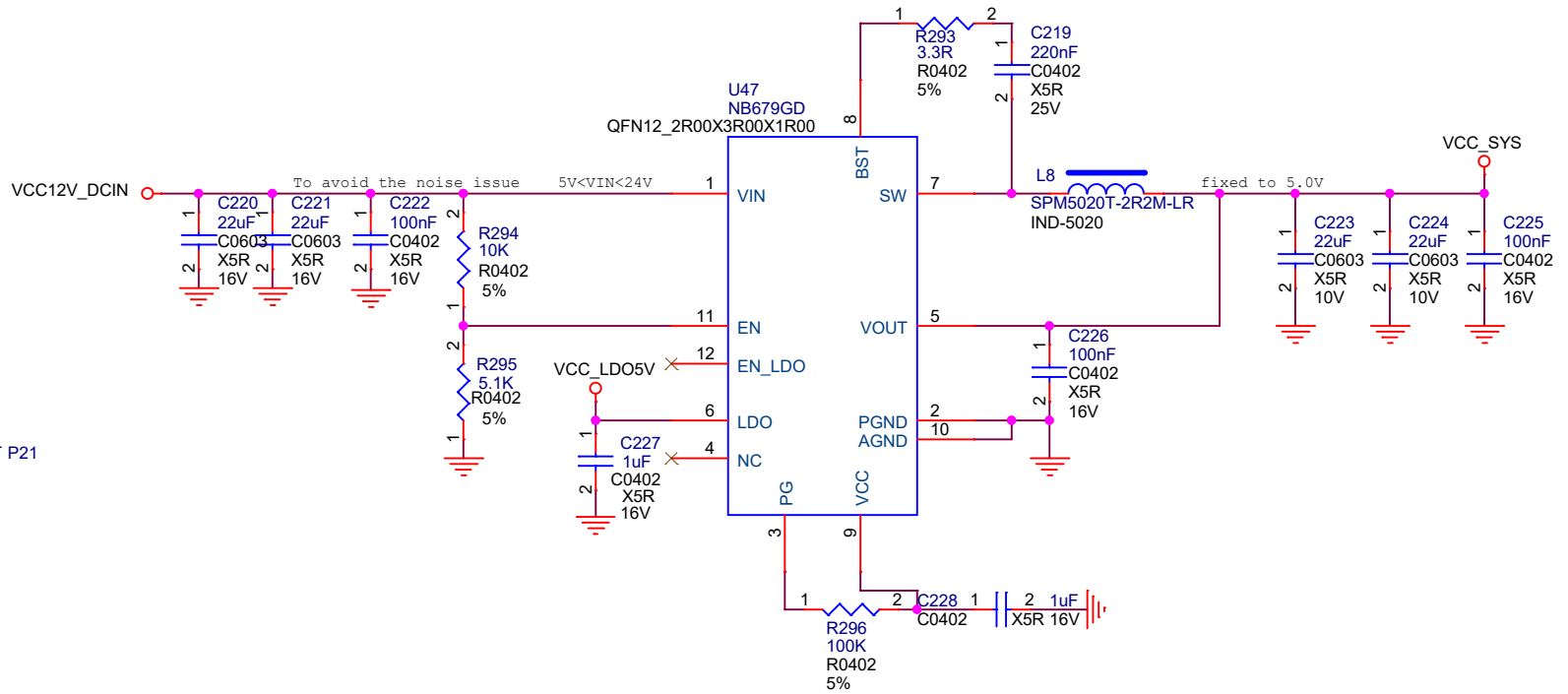
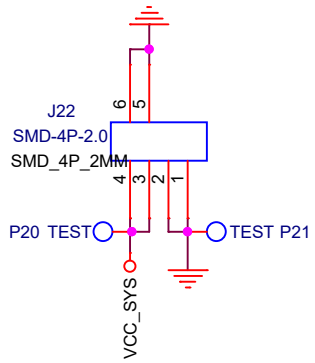


POWER

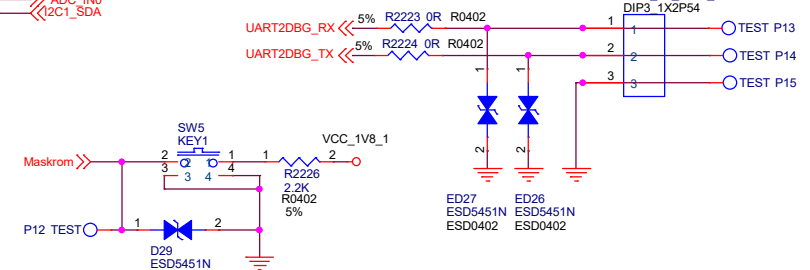
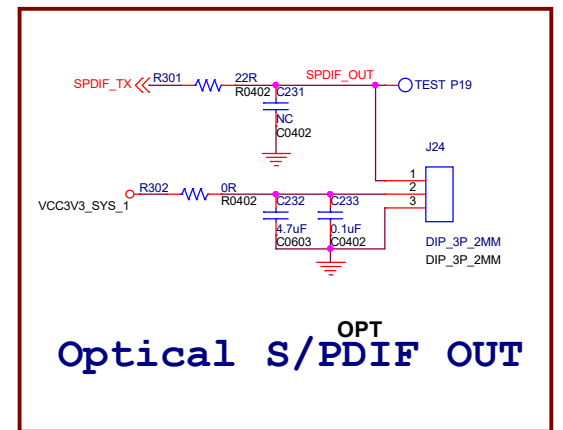
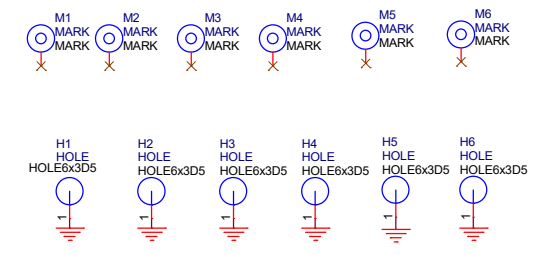
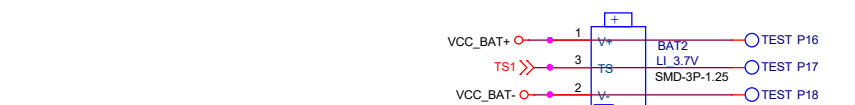
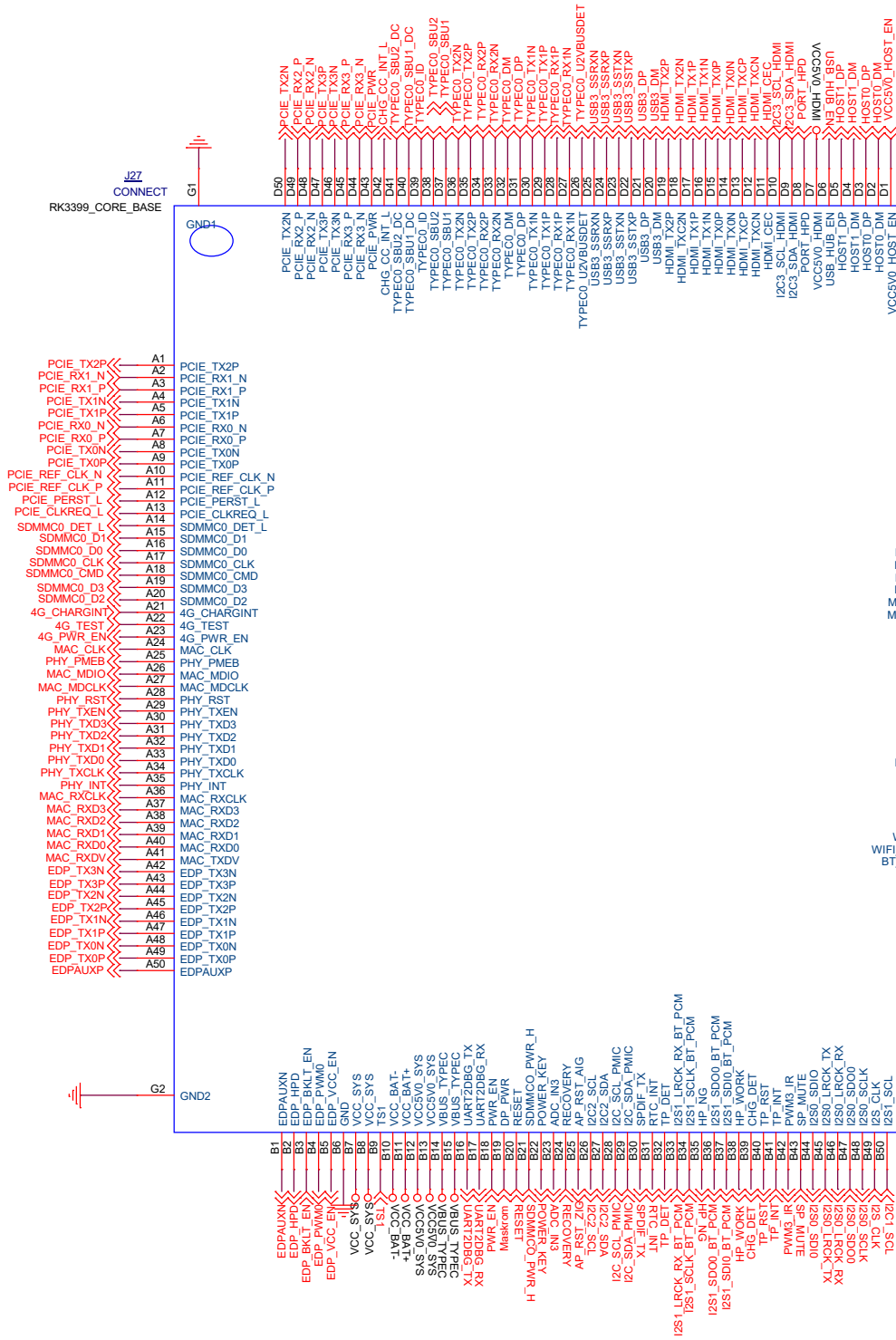



Size	Title	Fu Hai	REV
A4	Document Number	POWER_IN	1.1
Date:	Thursday, June 03, 2021	Sheet	16 of 18

SYSTEM Power



Size	Title		Fu Hai	REV
A4	Document Number		POWER SYS	1.1
Date: Thursday, June 03, 2021		Sheet	17	of 18





Fu Hai

Size	Title	REV
Custom	Document Number	1.1
CONNECT		
Date:	Thursday, June 03, 2021	Sheet 18 of 18