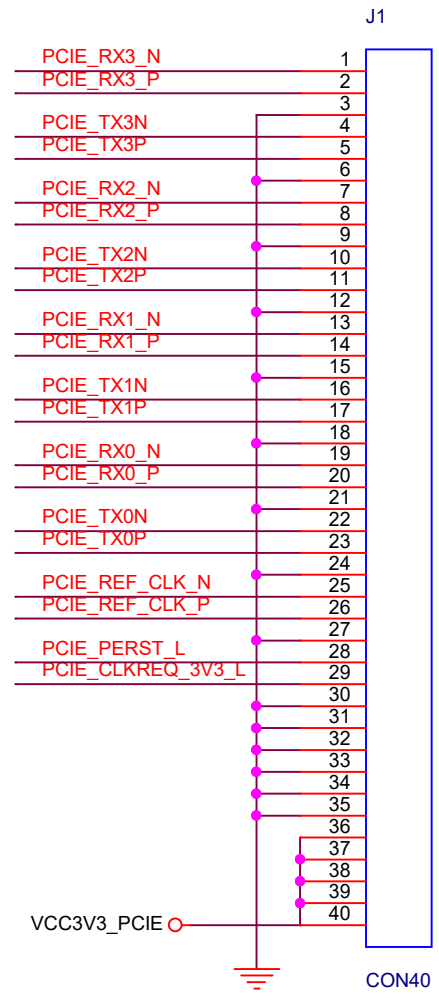
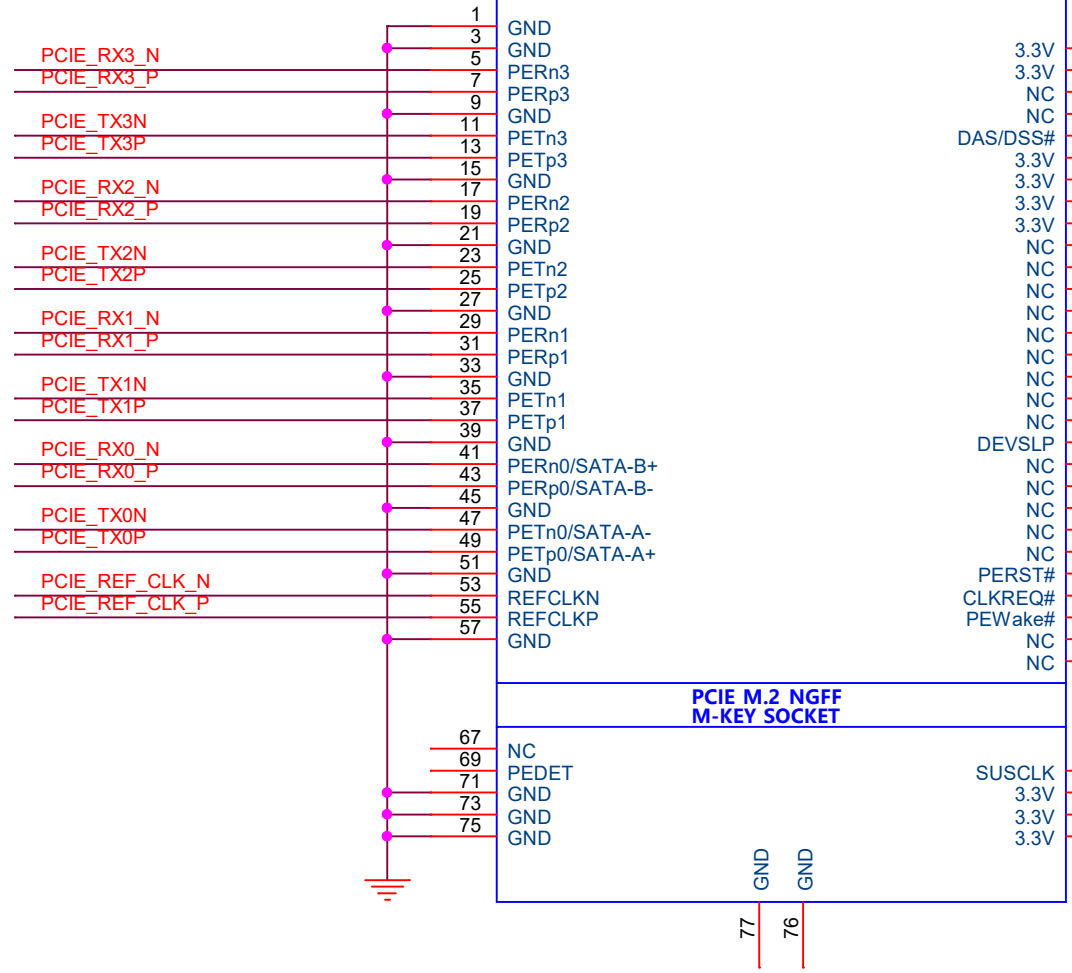


U8500  
M.2 NGFF MKEY SOCKET



Title		
<Title>		
Size	Document Number	Rev
A	<Doc>	<RevCode>
Date:	Monday, April 16, 2018	Sheet 1 of 1