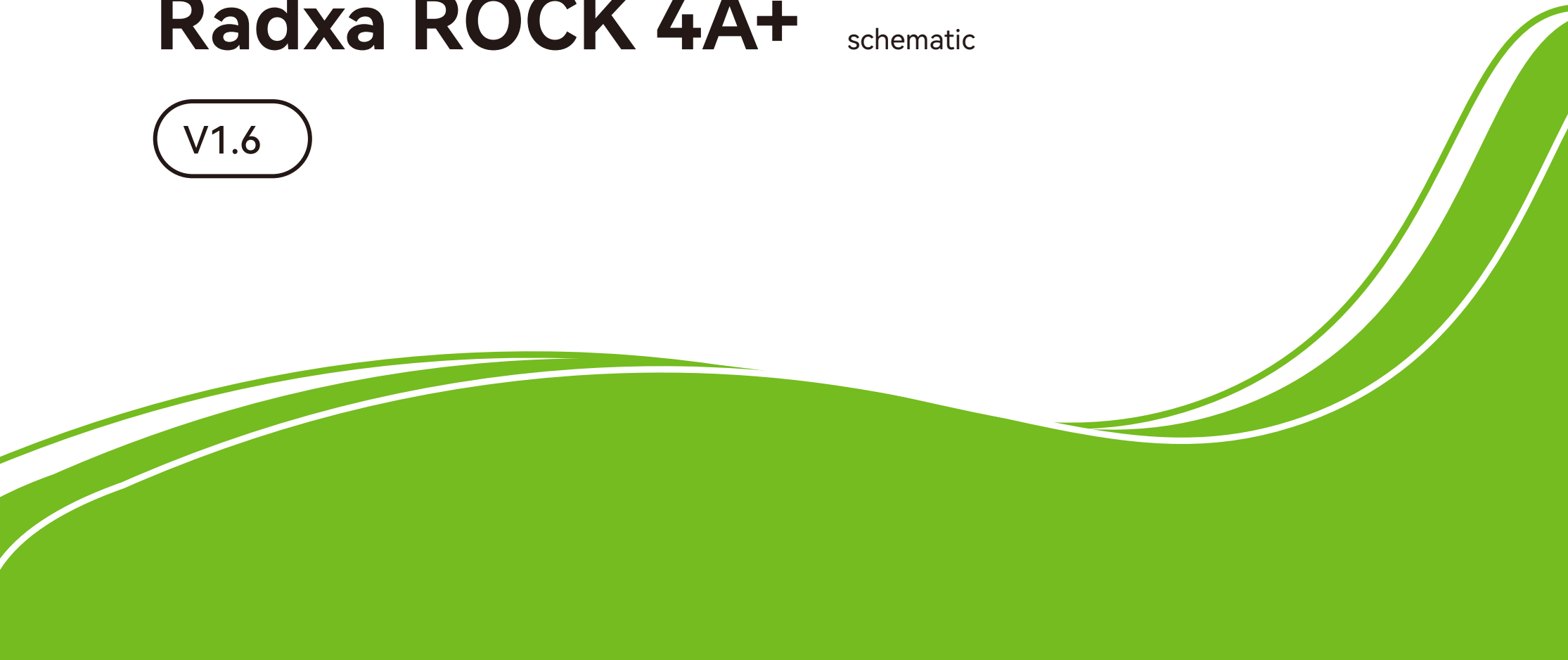




Radxa ROCK 4A+ schematic

V1.6

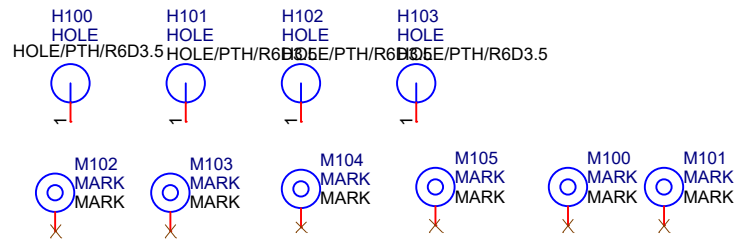
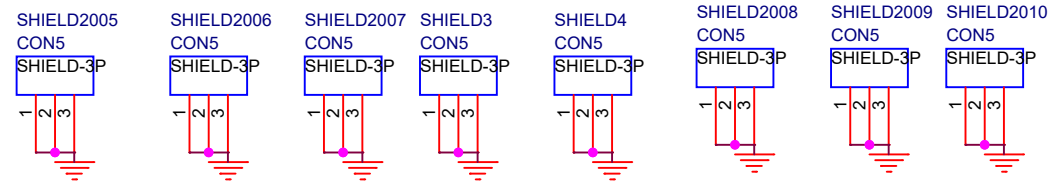
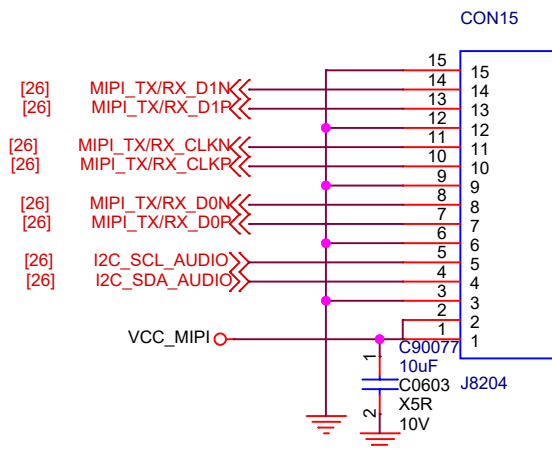
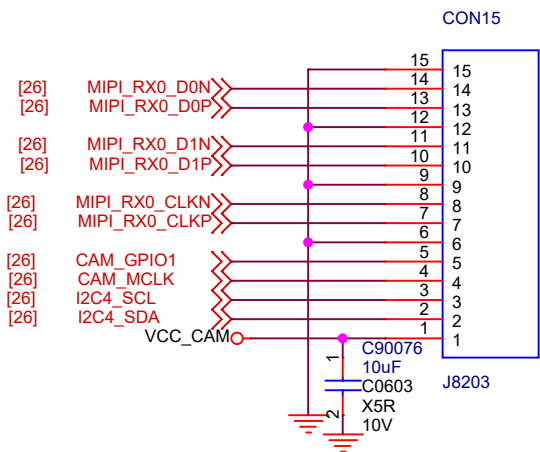
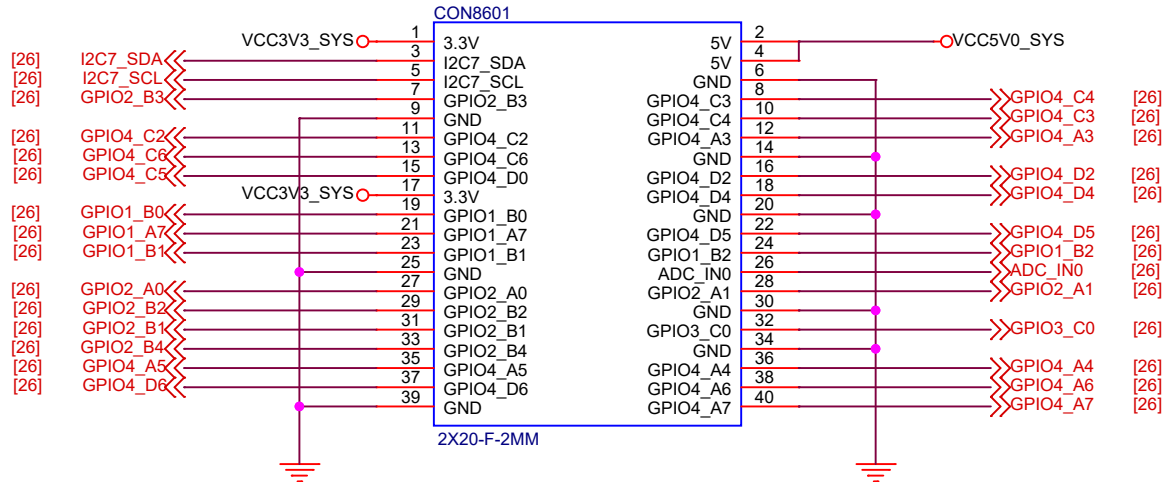
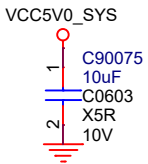
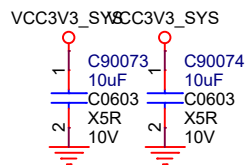


CONTENT INDEXING

- 01.Cover
- 02.Content
- 03.CONNECTOR
- 04.ES8316
- 05.PCIE NGFF/M.2
- 06.RK3399 Power
- 07.RK3399 PMU Controler
- 08.RK3399 DDR Controler
- 09.RK3399 Flash&SDMMC Controler
- 10.RK3399 USB/USIC Controler
- 11.RK3399 SARADC/Key
- 12.RK3399 DVP Interface
- 13.RK3399 Display Interface
- 14.RK3399 GPIO
- 15.RK3399 PCIE
- 16.Power-DC IN
- 17.Power-PMIC RK808-D
- 18.RTL8211E
- 19.USB OTG/HOST Port
- 20.RAM-LPDDR3(178P)
- 21.Memory-eMMC
- 22.WIFI/BTMIMO-AP6354
- 23.TF Card
- 24.HDMI Output

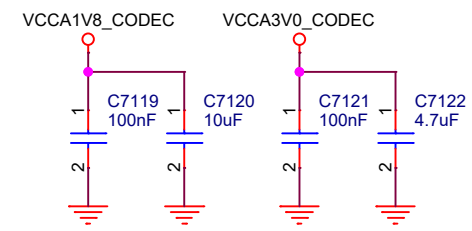
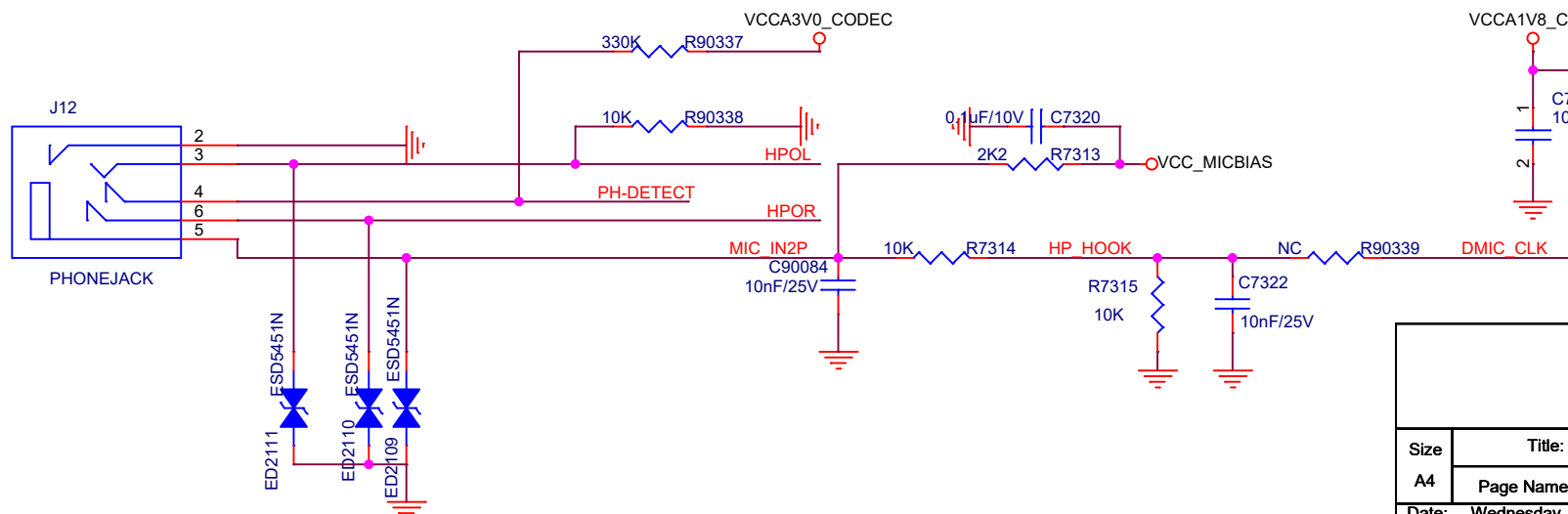
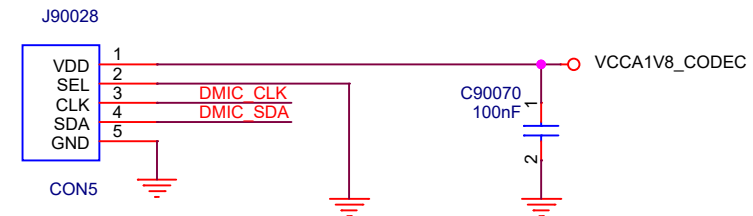
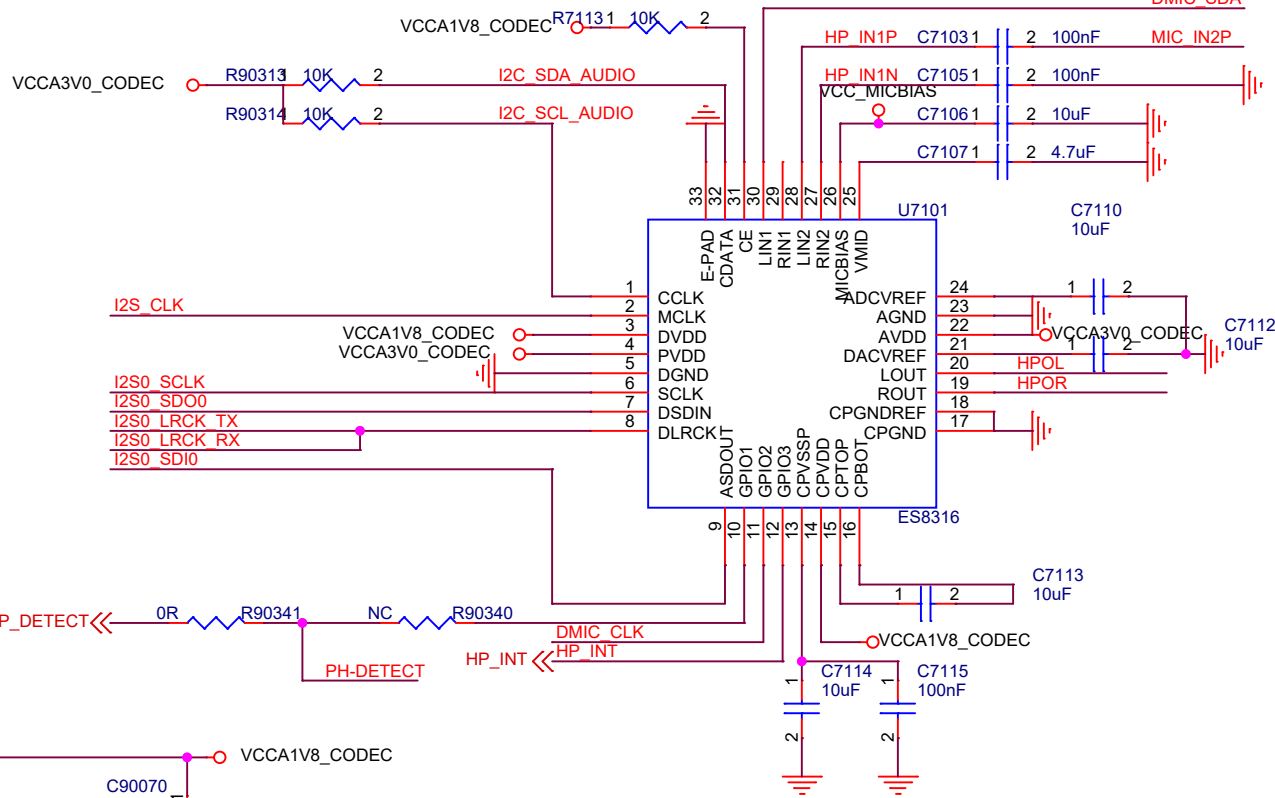


Size	Title: Radxa ROCK 4B+	REV
A4	Page Name: Content	1.6
Date: Wednesday, October 11, 2023	Sheet 2	of 24

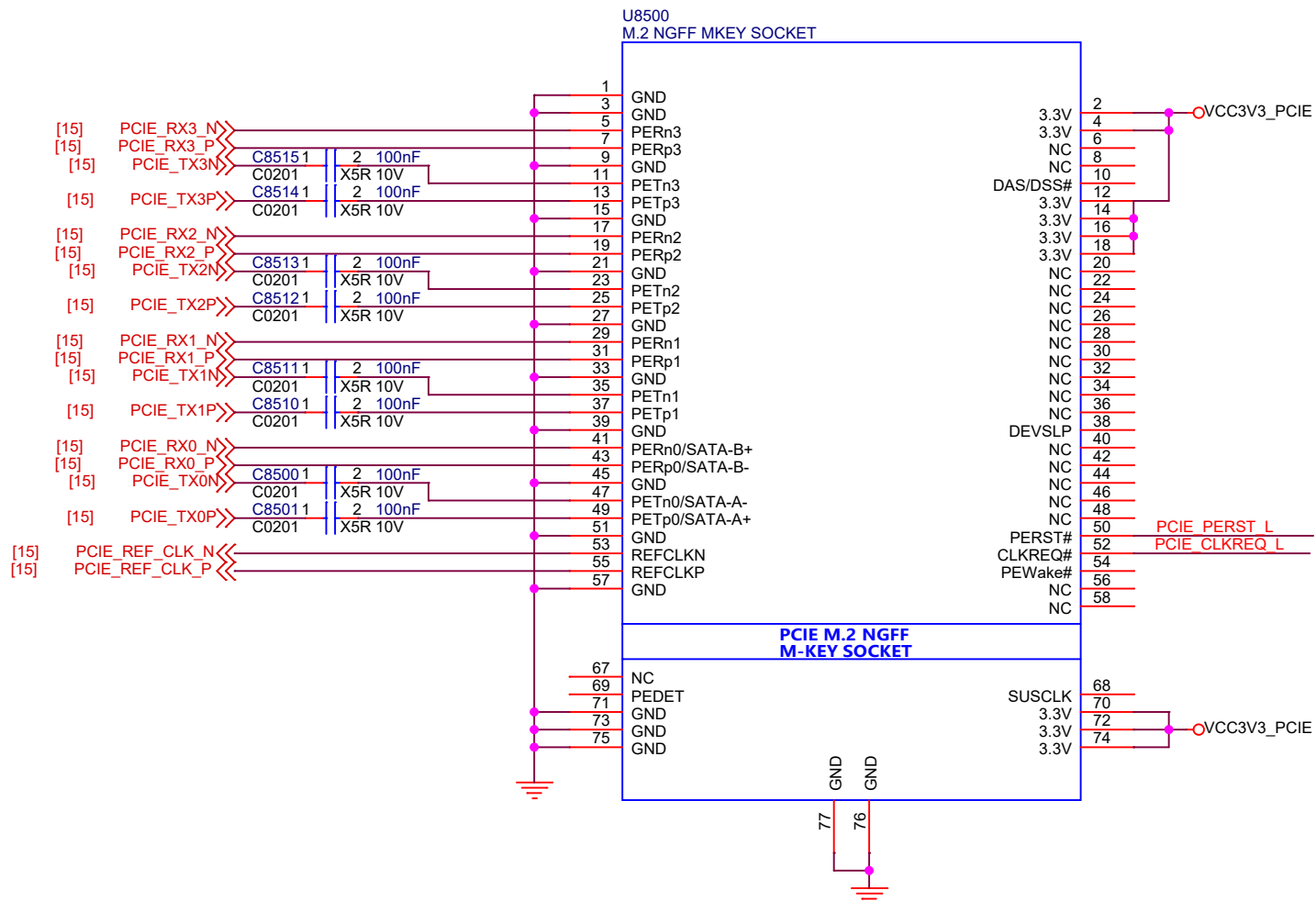


Size	Title: Radxa ROCK 4B+	REV
A4	Page Name: CONNECTOR	1.6
Date:	Wednesday, October 11, 2023	Sheet 3 of 24

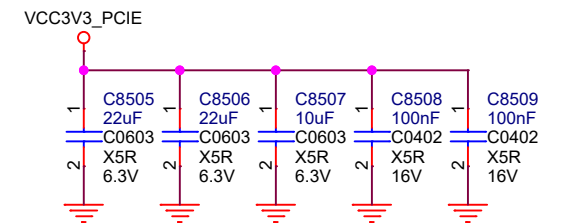
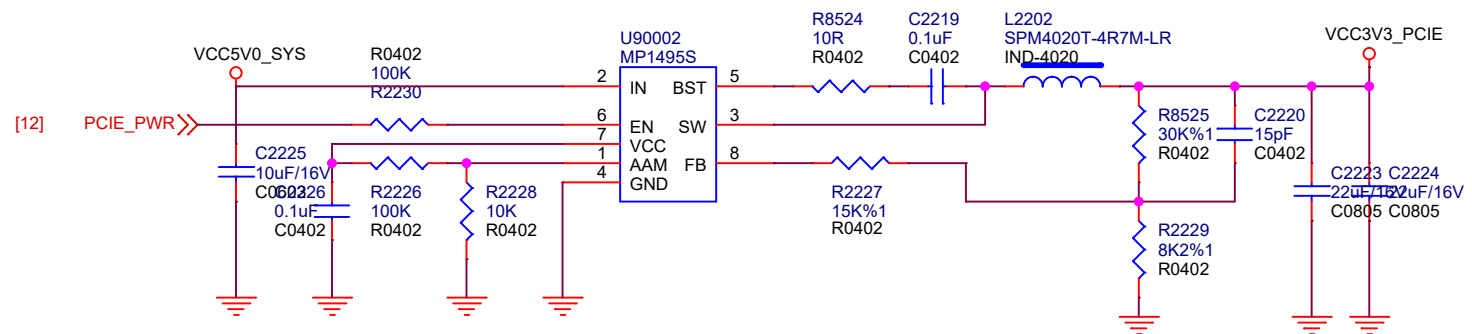
I2C_SCL_AUDIO
 I2C_SDA_AUDIO
 HP_HOOK
 I2S_CLK
 I2S0_SCLK
 I2S0_LRCK_RX
 I2S0_LRCK_TX
 I2S0_SDIO
 I2S0_SDO0



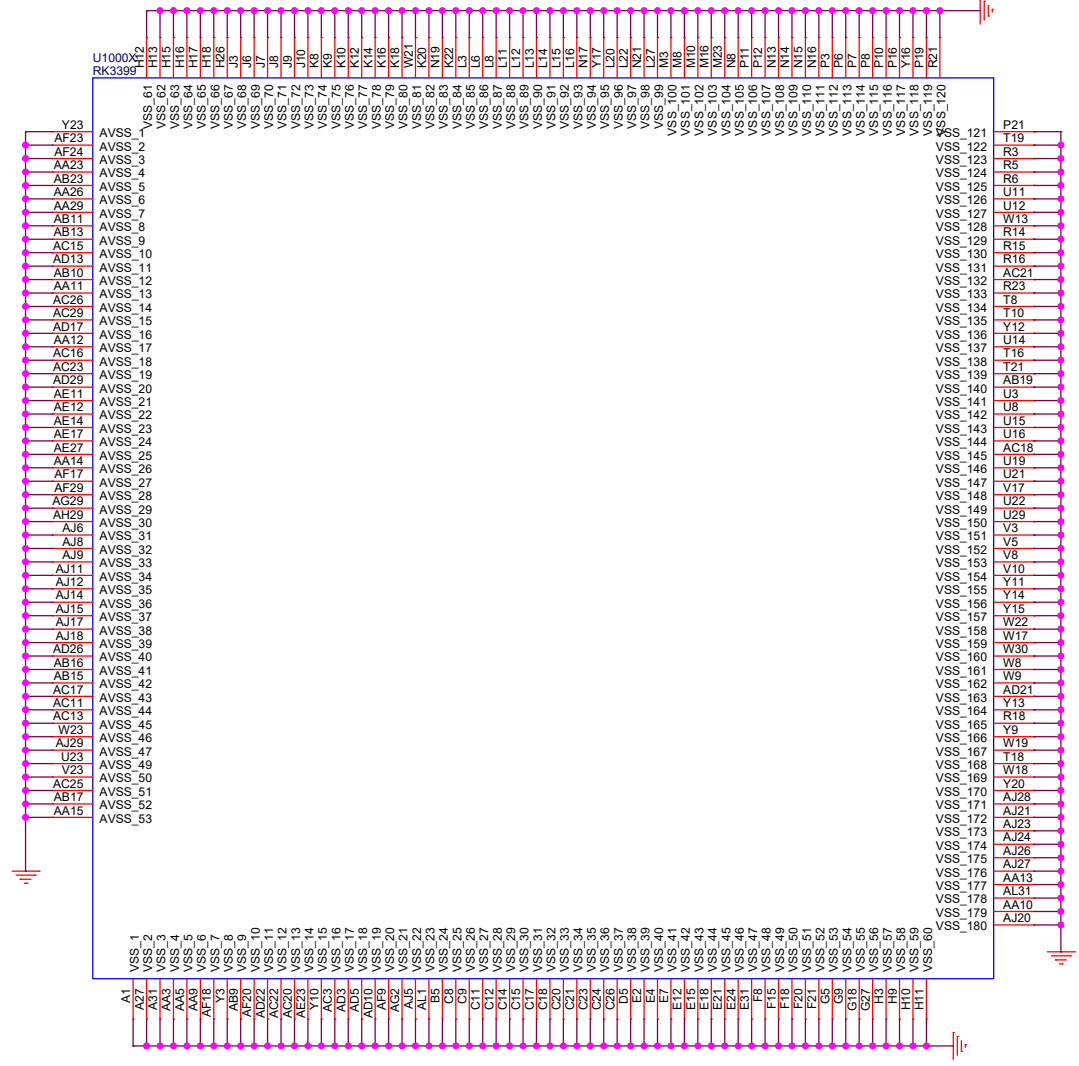
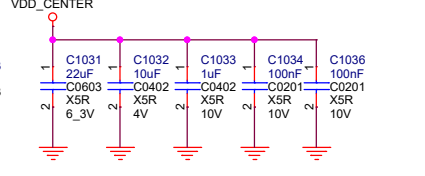
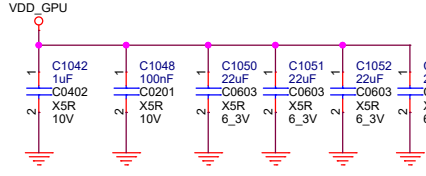
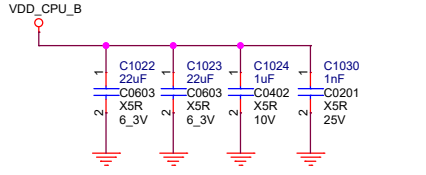
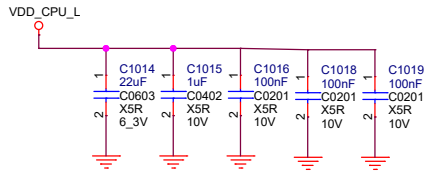
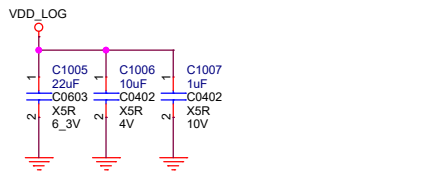
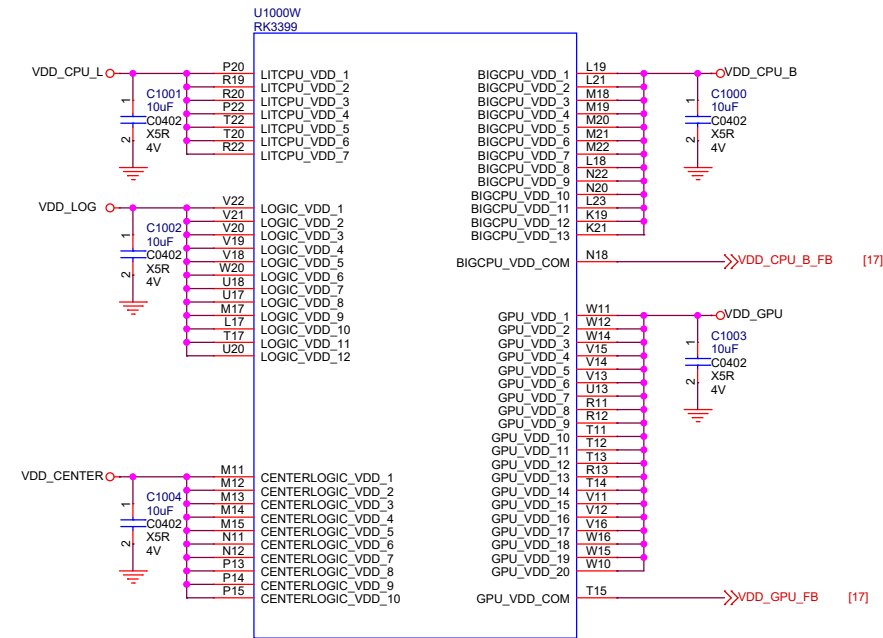
Size	Title: Radxa ROCK 4B+	REV
A4	Page Name: ES8316	1.6
Date: Wednesday, October 11, 2023	Sheet 4 of 24	

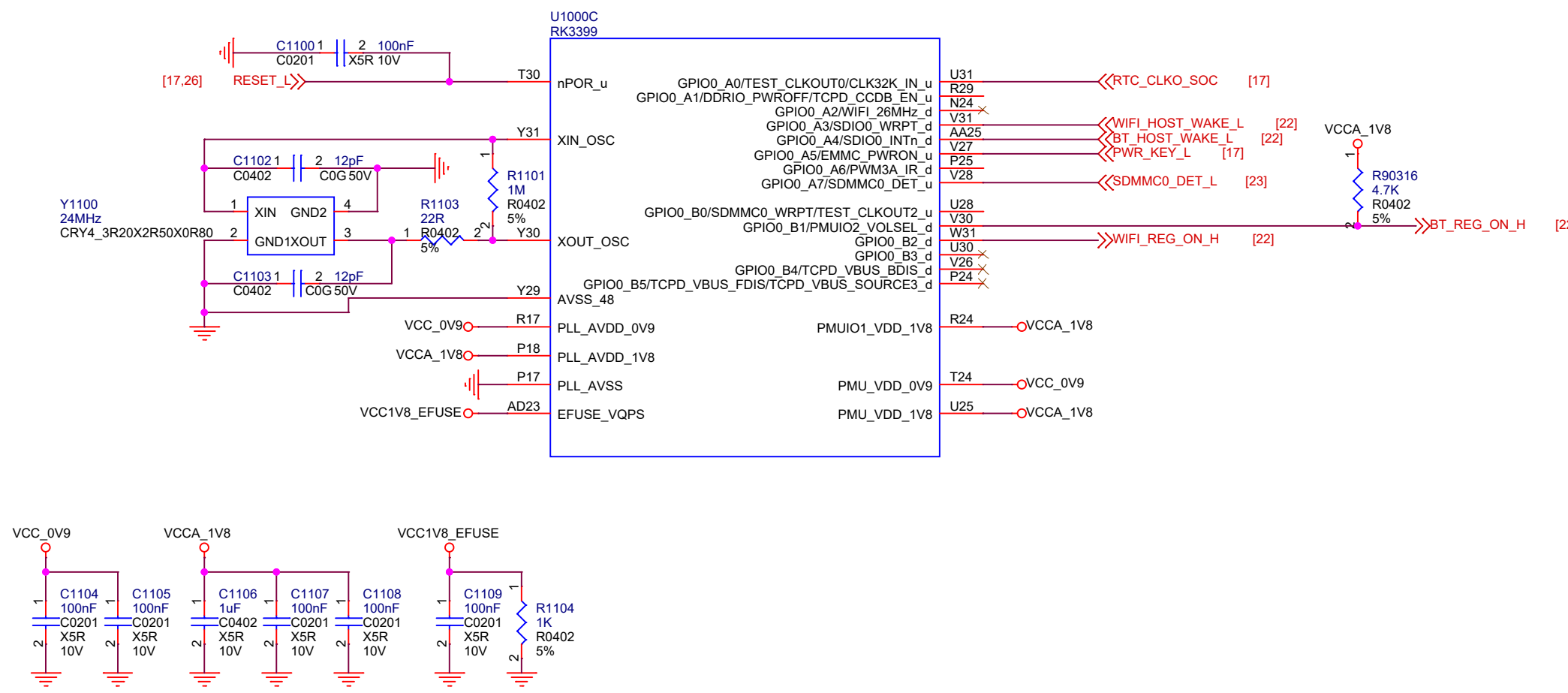


[12] PCIE_PERST_L
[14] PCIE_CLKREQ_L

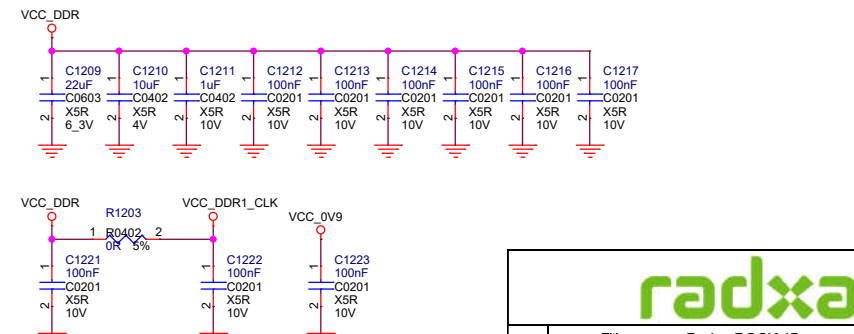
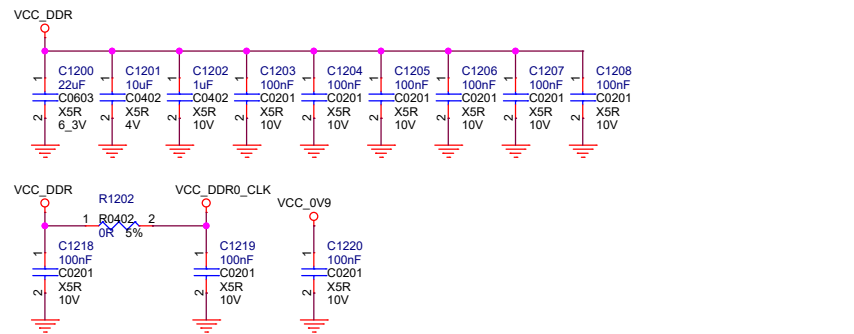
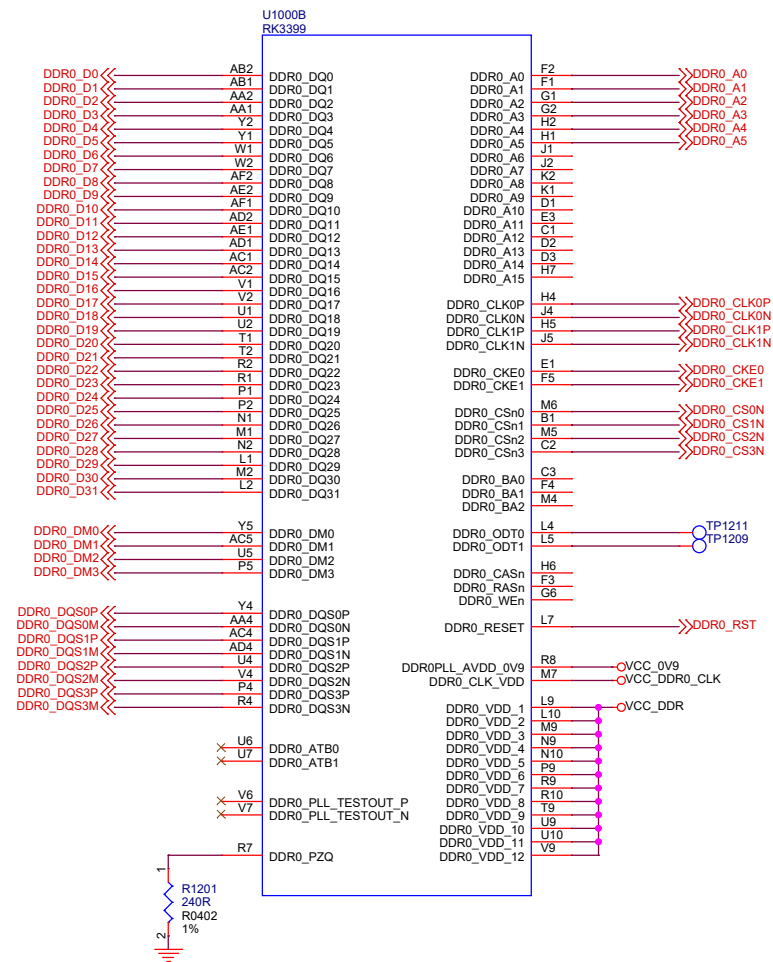
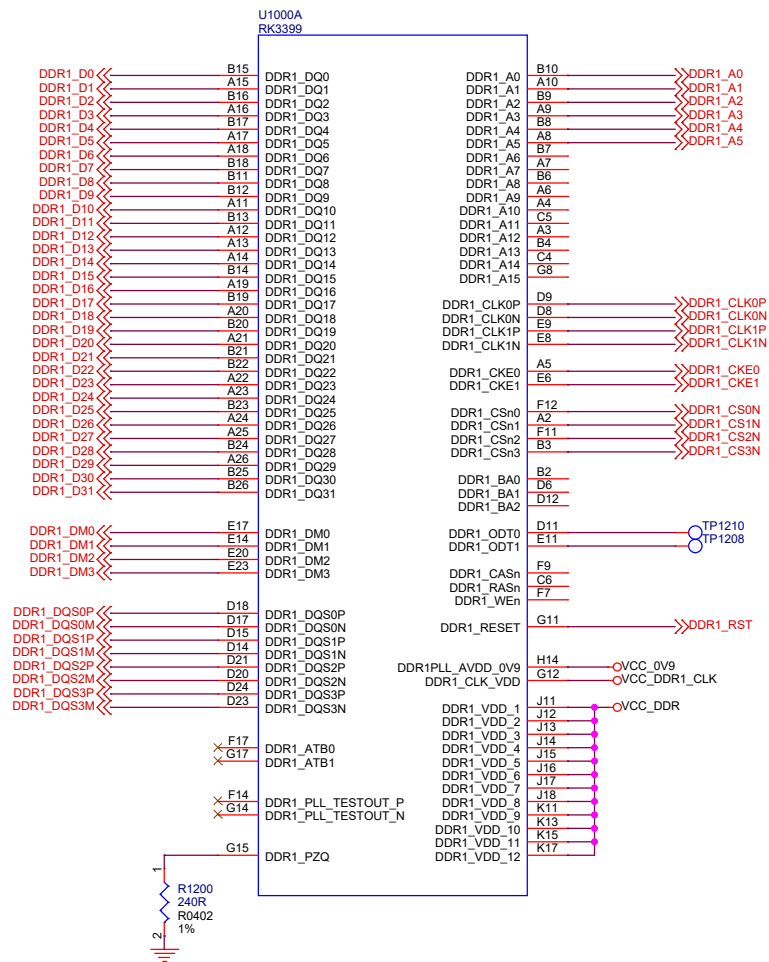


Size	Title: Radxa ROCK 4B+	REV
A4	Page Name: PCIe NGFF/M.2	1.6
Date: Wednesday, October 11, 2023	Sheet 5 of 24	





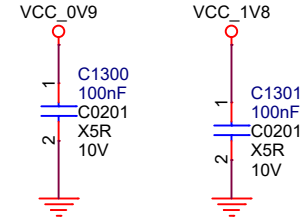
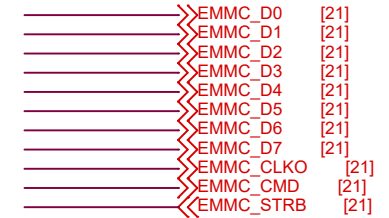
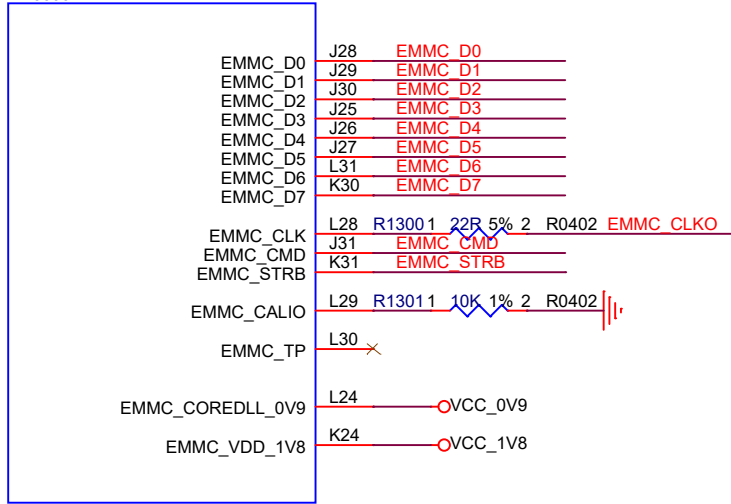
Size	Title: Radxa ROCK 4B+	REV
A4	Page Name: RK3399 PMU Controller	1.6
Date: Wednesday, October 11, 2023	Sheet 7 of 24	



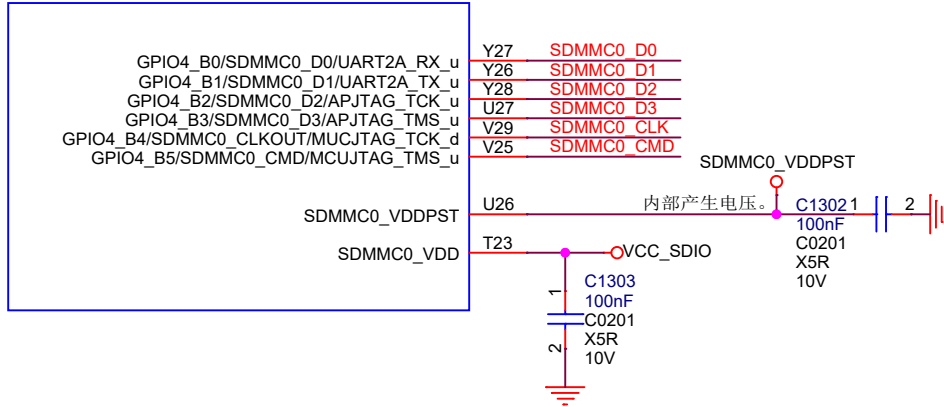
radxa

Size	Title: Radxa ROCK 4B+	REV
A3	Page Name: RK3399 DDR Controller	1.6
Date: Wednesday, October 11, 2023	Sheet 8 of 24	

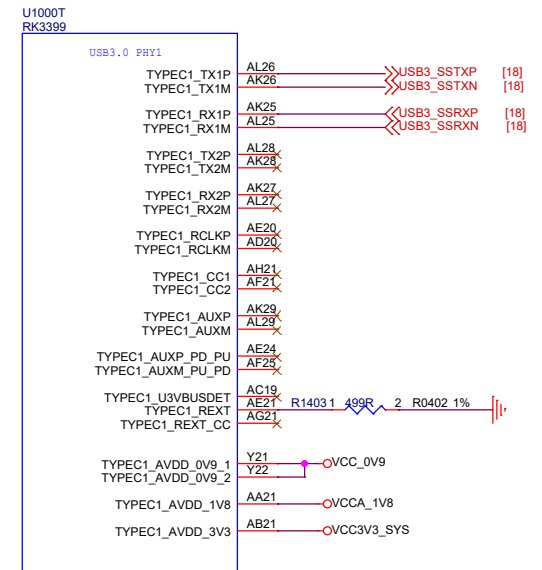
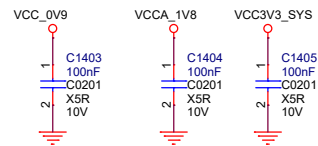
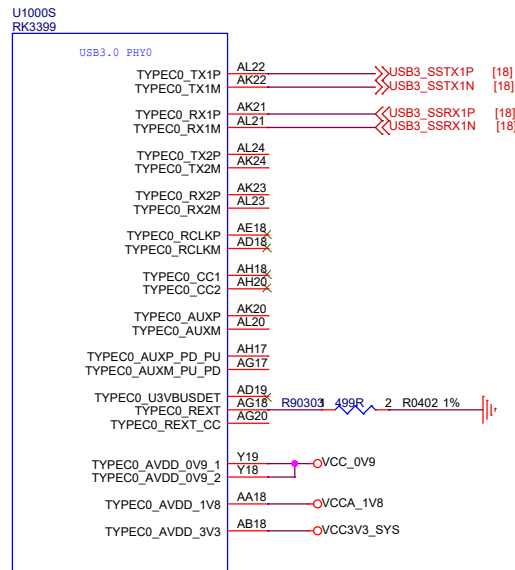
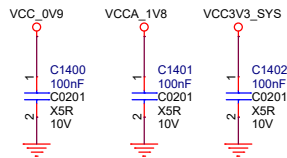
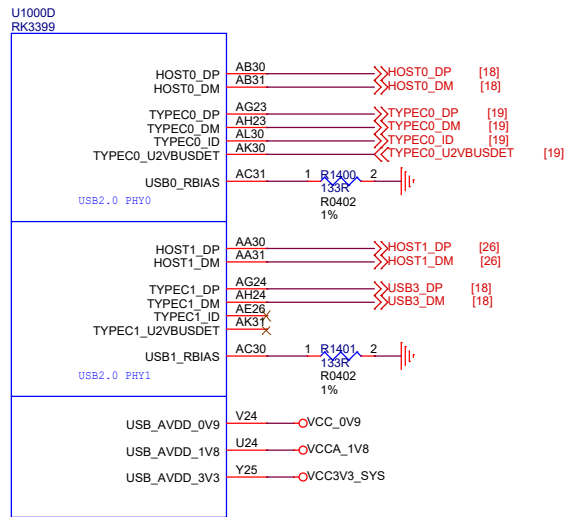
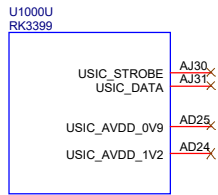
U1000H
RK3399



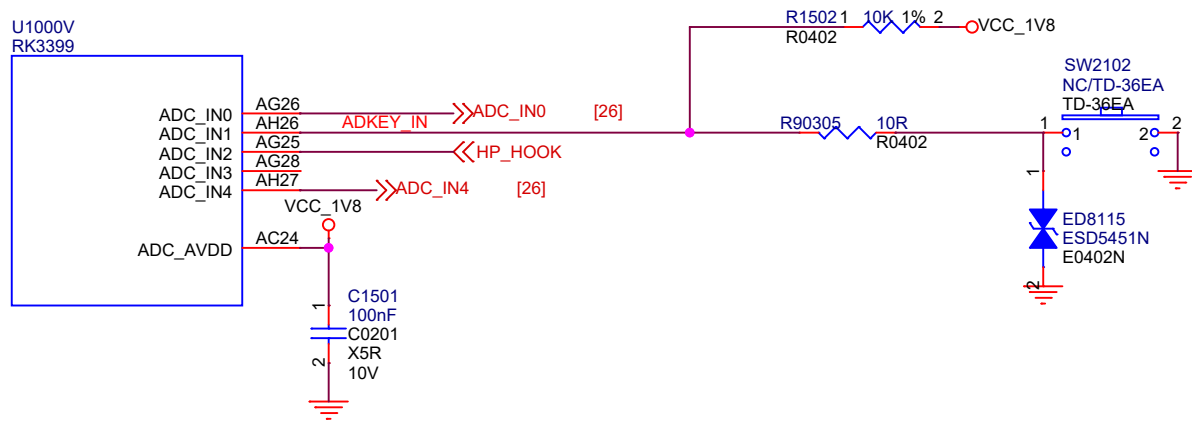
U1000F
RK3399



Size	Title: Radxa ROCK 4B+	REV
A4	Page Name: RK3399 Flash&SDMMC Controler	1.6
Date: Wednesday, October 11, 2023	Sheet 9 of 24	

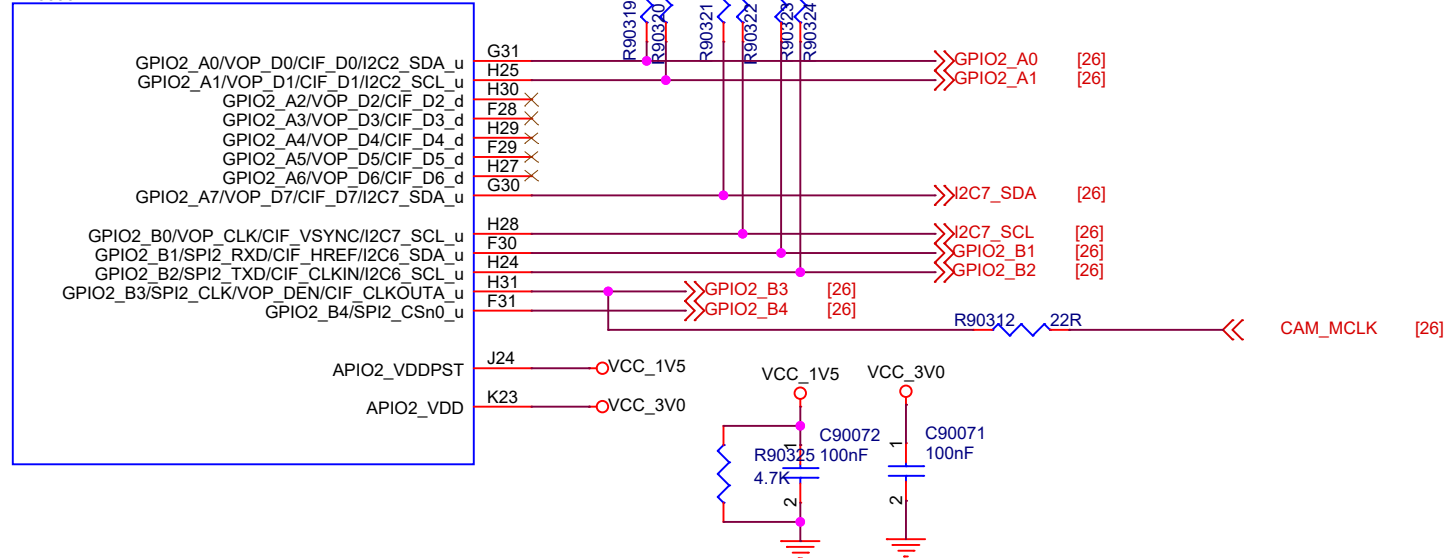


KEY BAORD

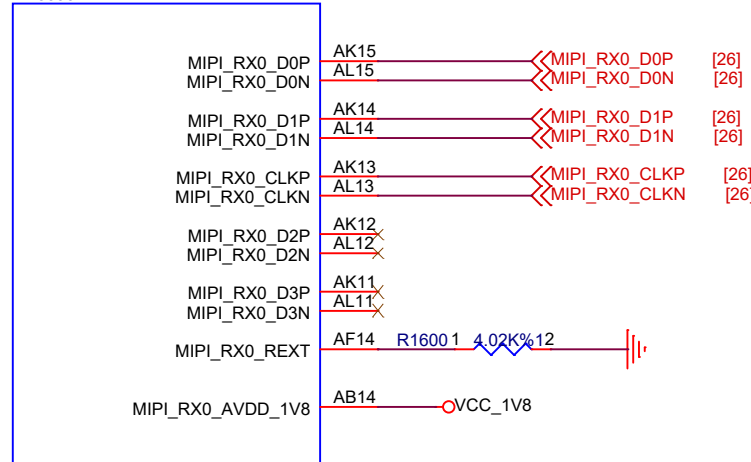


Size	Title: Radxa ROCK 4B+	REV
A4	Page Name: RK3399 SARADC/Key	1.6
Date: Wednesday, October 11, 2023	Sheet 11 of 24	

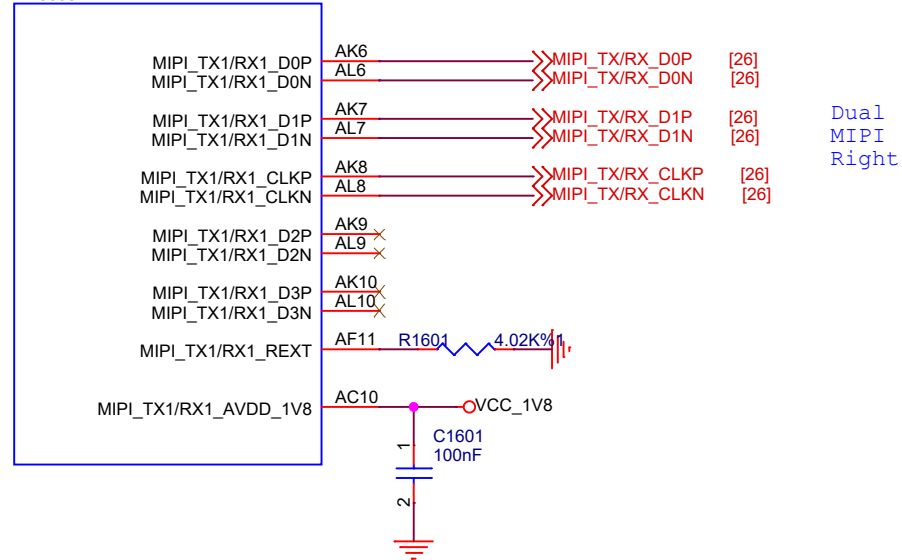
U1000L
RK3399



U1000R
RK3399

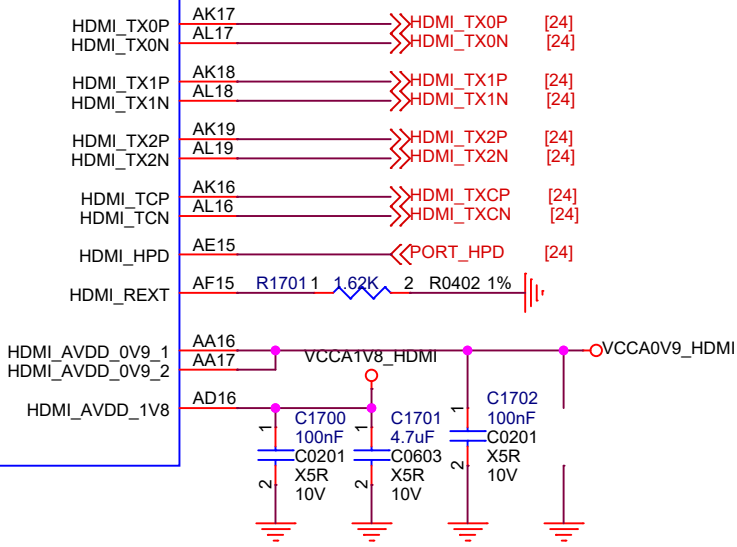


U1000P
RK3399

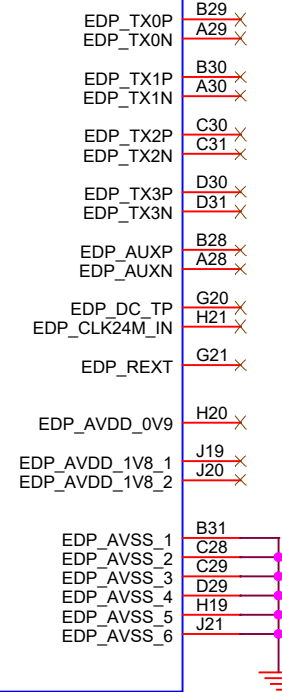


Size	Title: Radxa ROCK 4B+	REV
A4	Page Name: RK3399 DVP Interface	1.6
Date: Wednesday, October 11, 2023	Sheet 12 of 24	

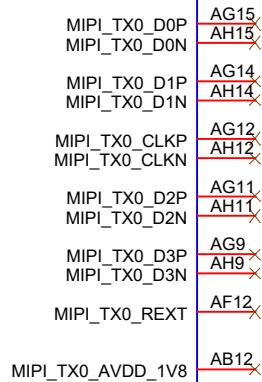
U1000N
RK3399



U1000M
RK3399

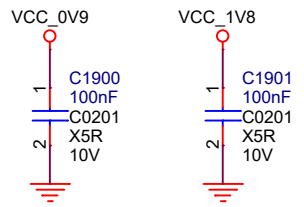
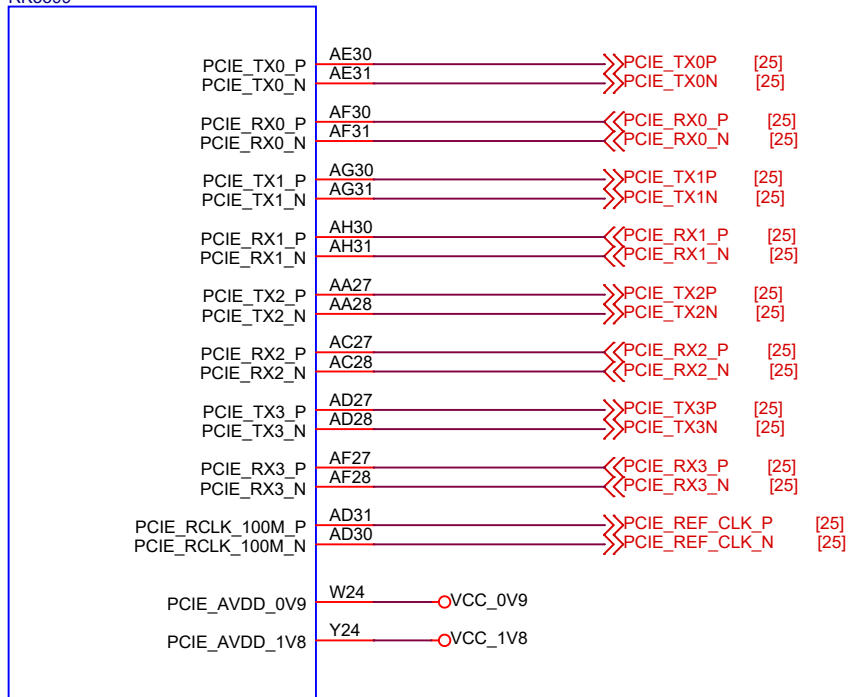



U1000Q
RK3399



Size	Title: Radxa ROCK 4B+	REV
A4	Page Name: RK3399 Display Interface	1.6
Date: Wednesday, October 11, 2023	Sheet 13 of 24	

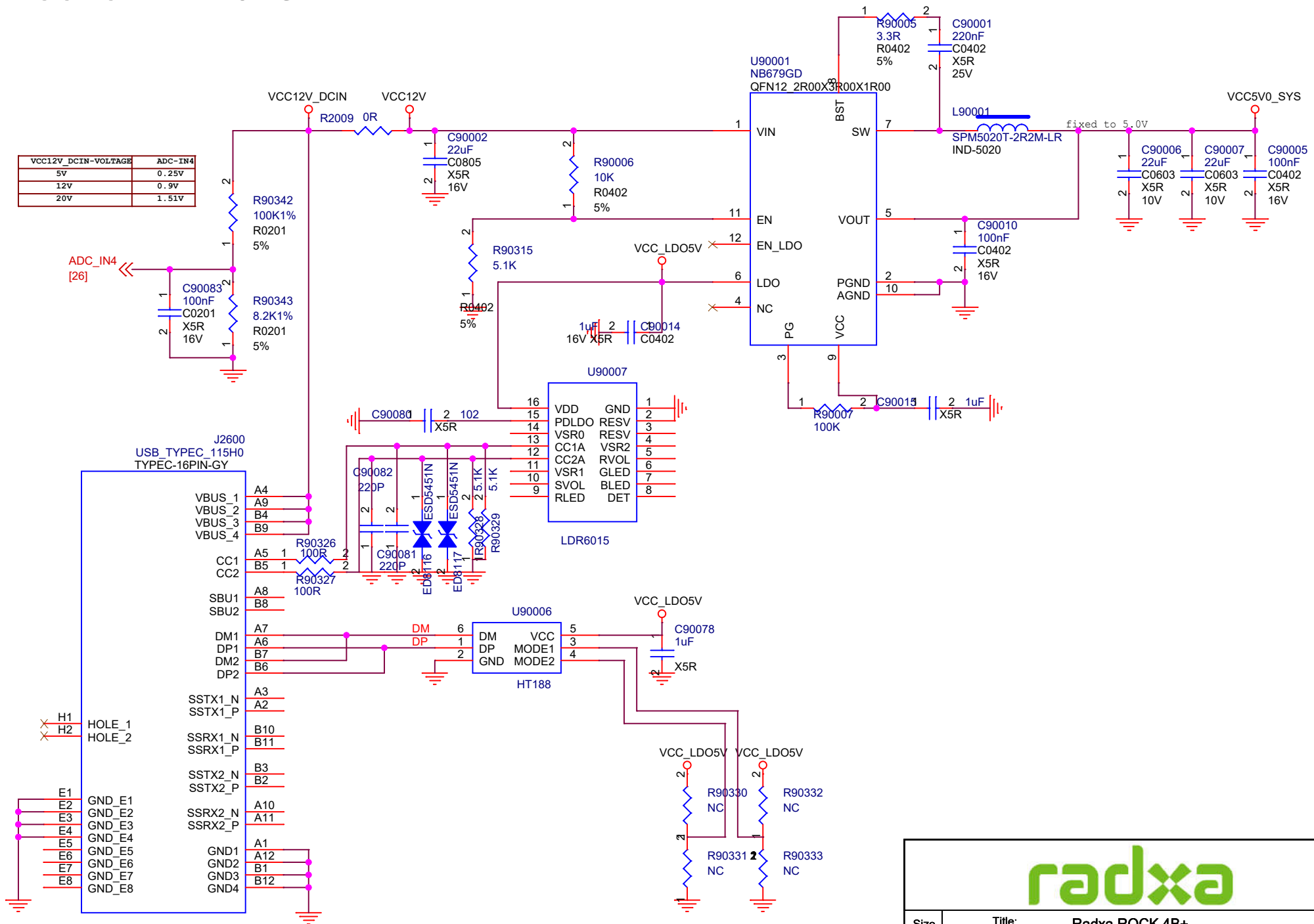
U10000
RK3399





Size	Title: Radxa ROCK 4B+	REV
A4	Page Name: RK3399 PCIE	1.6
Date:	Wednesday, October 11, 2023	Sheet 15 of 24

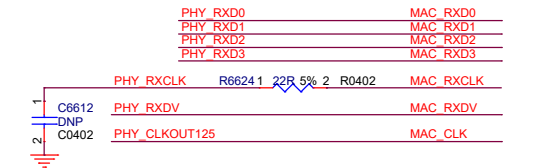
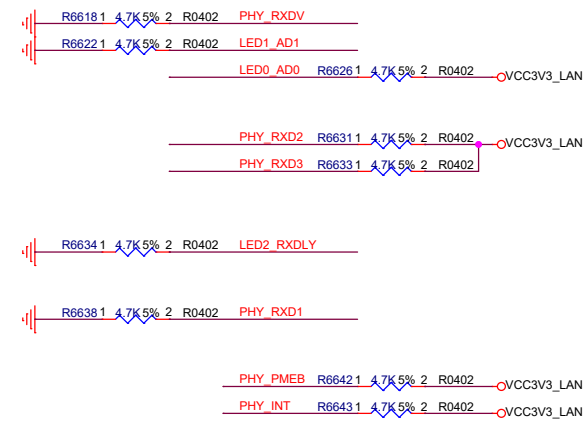
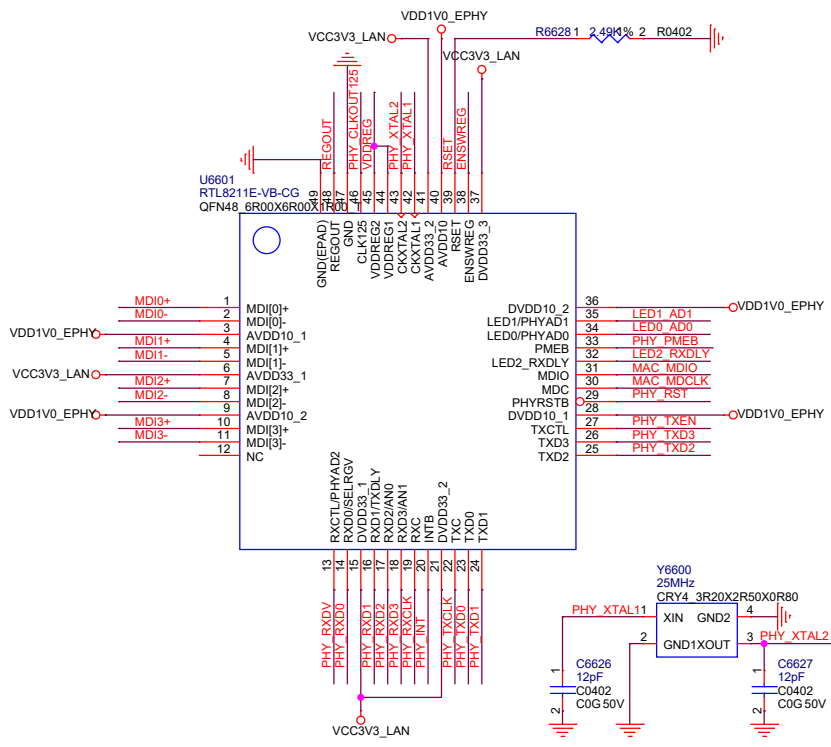
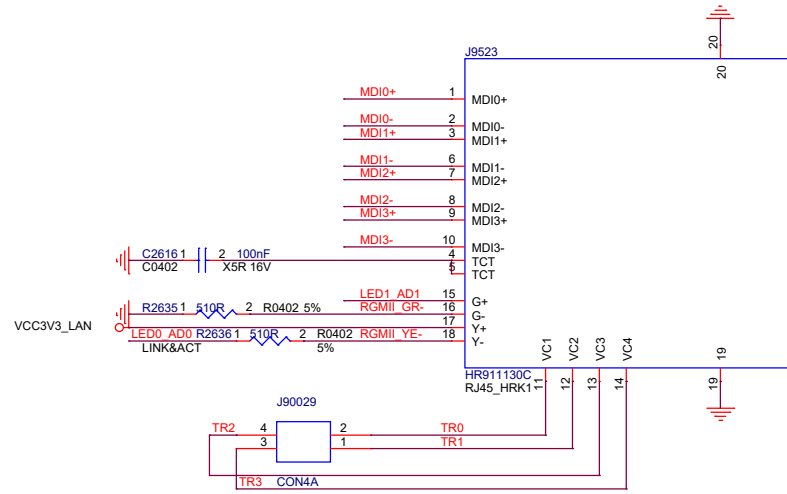
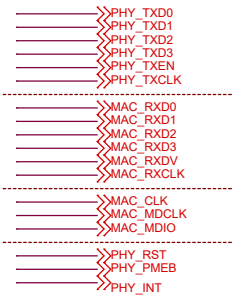
DC IN&SYSTEM Power



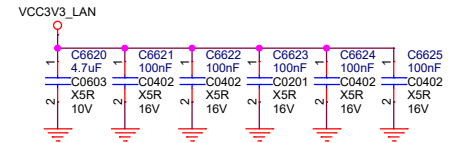
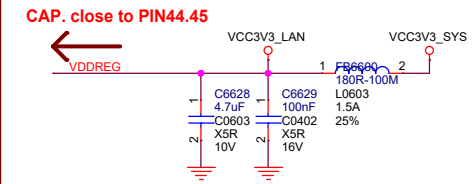
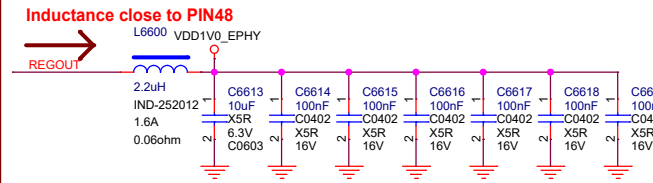
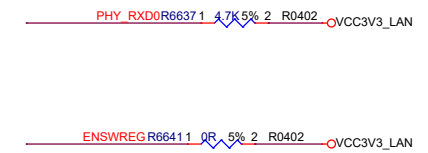
VCC12V_DCIN-VOLTAGE	ADC-IN4
5V	0.25V
12V	0.9V
20V	1.51V



Size	Title: Radxa ROCK 4B+	REV
A4	Page Name: Power-DC IN	1.6
Date: Wednesday, October 11, 2023	Sheet 16 of 24	



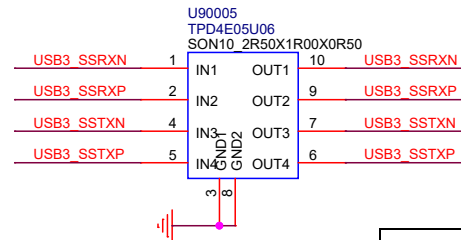
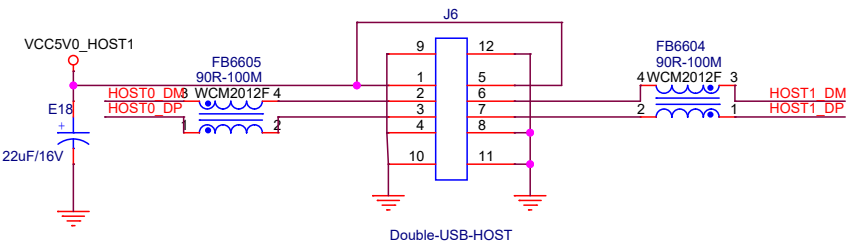
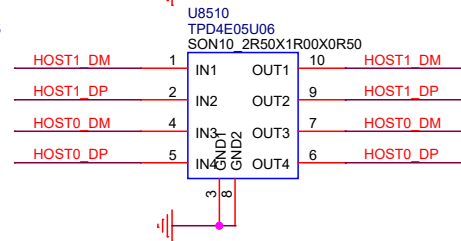
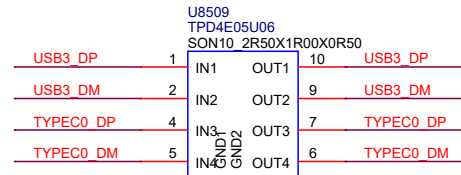
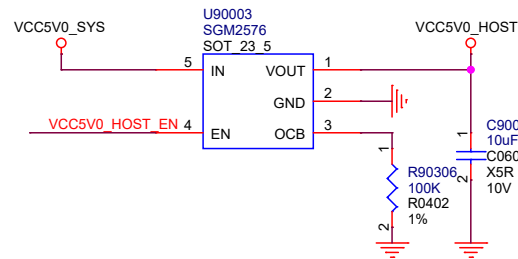
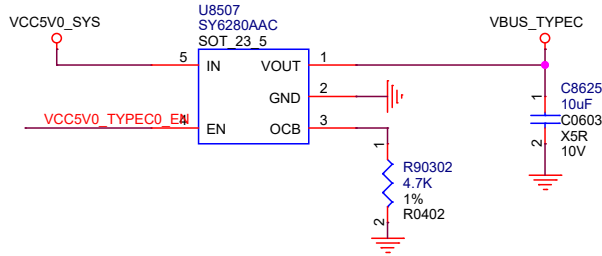
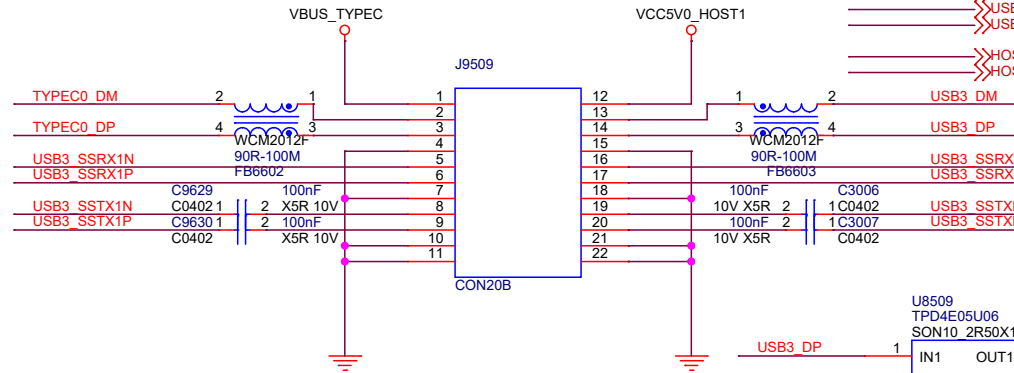
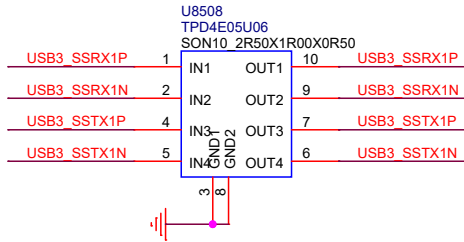
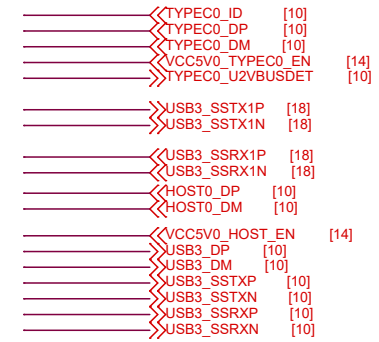
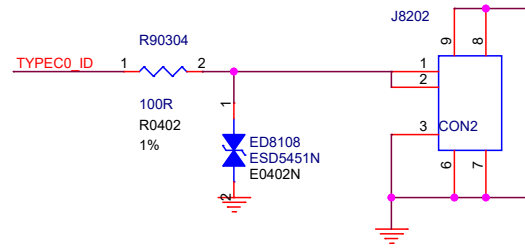
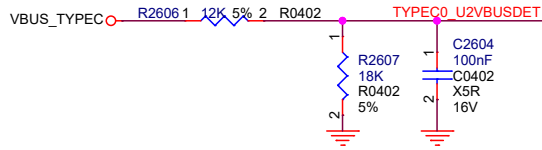
Close to PHY



radxa

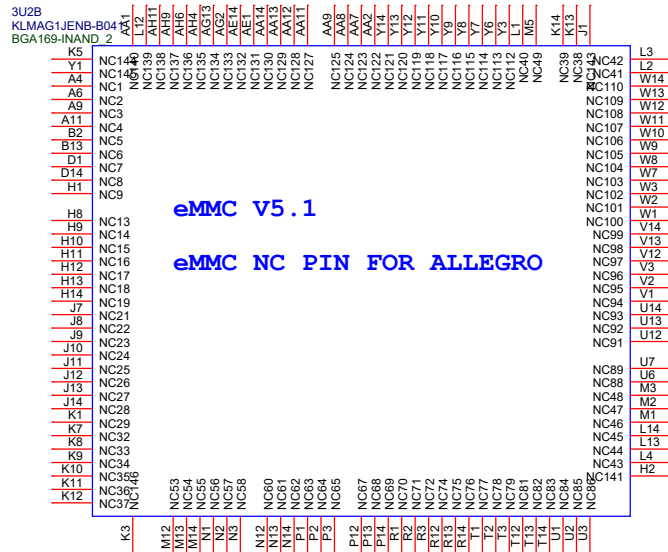
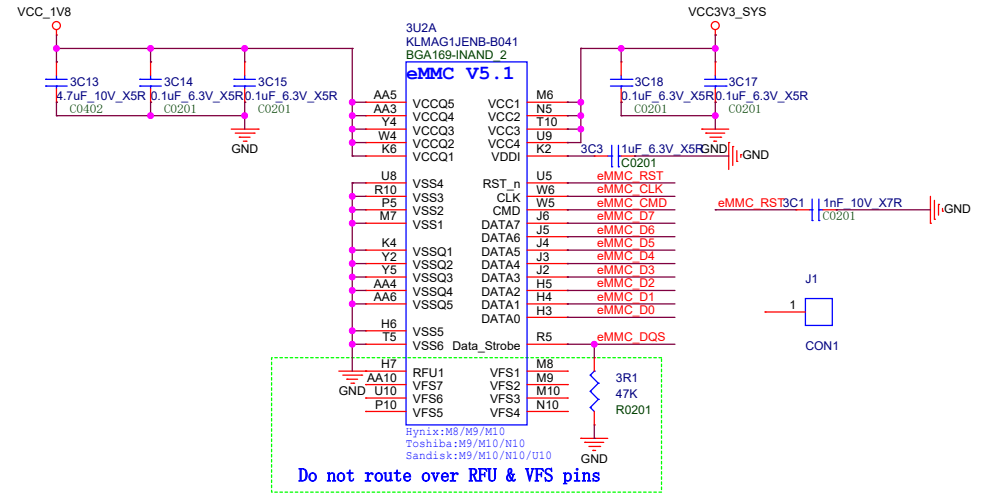
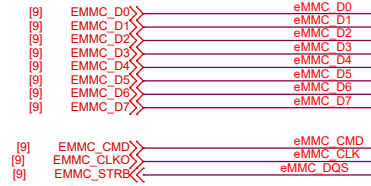
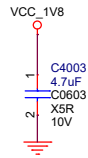
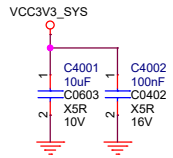
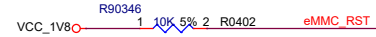
Size	Title: Radxa ROCK 4B+	REV
A3	Page Name: RTL8211E	1.6
Date: Wednesday, October 11, 2023	Sheet 18 of 24	

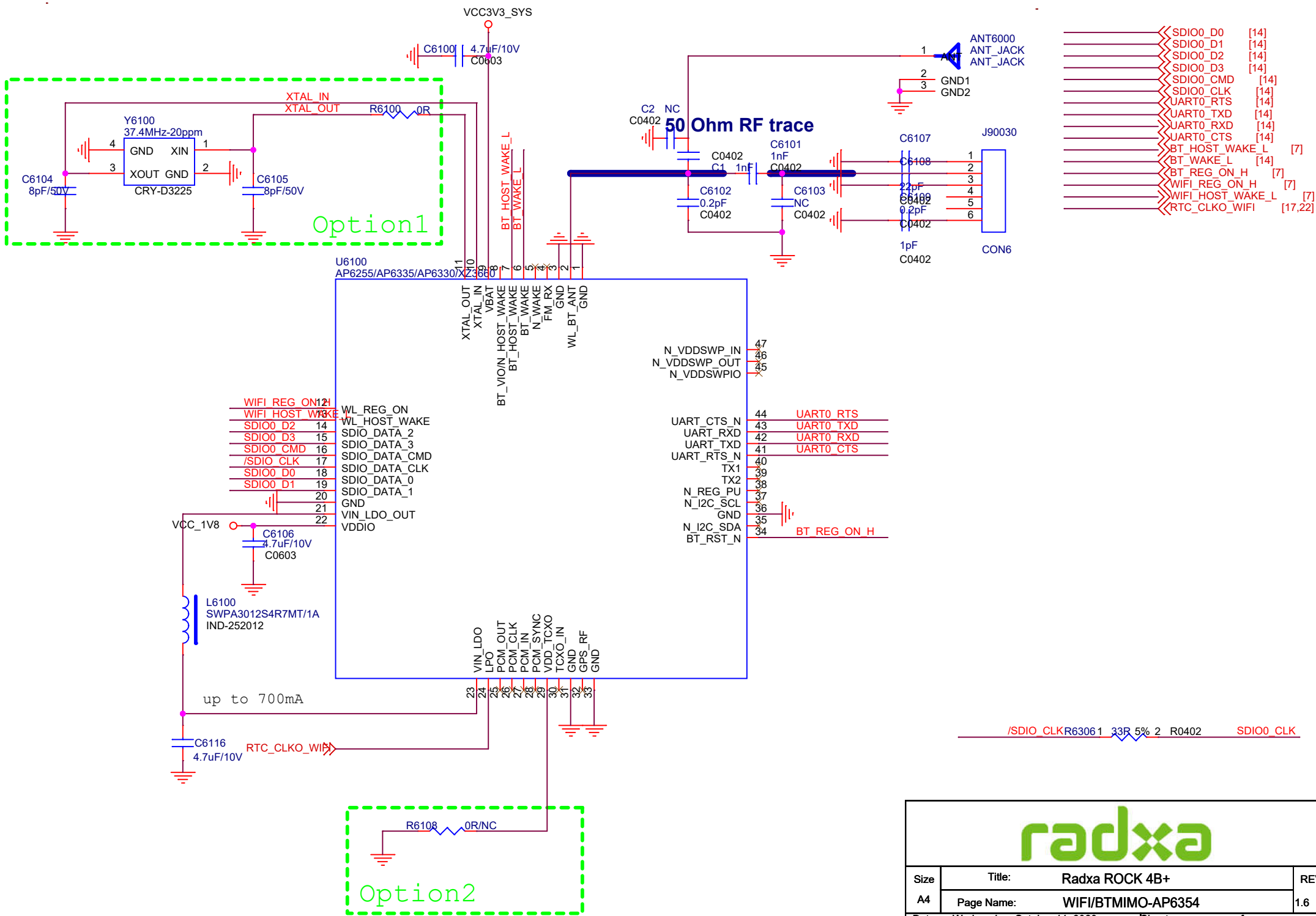
USB3.0 OTG port



Size	Title: Radxa ROCK 4B+	REV
Custom	Page Name: USB OTG/HOST Port	1.6
Date: Wednesday, October 11, 2023	Sheet 19 of 24	

eMMC FLASH





SDIO0_D0	[14]
SDIO0_D1	[14]
SDIO0_D2	[14]
SDIO0_D3	[14]
SDIO0_CMD	[14]
SDIO0_CLK	[14]
UART0_RTS	[14]
UART0_TXD	[14]
UART0_RXD	[14]
UART0_CTS	[14]
BT_HOST_WAKE_L	[7]
BT_WAKE_L	[14]
BT_REG_ON_H	[7]
WIFI_REG_ON_H	[7]
WIFI_HOST_WAKE_L	[7]
RTC_CLKO_WIFI	[17,22]

WIFI_REG_ON	21
WIFI_HOST_WAKE_L	13
SDIO0_D2	14
SDIO0_D3	15
SDIO0_CMD	16
/SDIO_CLK	17
SDIO0_D0	18
SDIO0_D1	19
SDIO0_D2	20
SDIO0_D3	21
WIFI_REG_ON	22

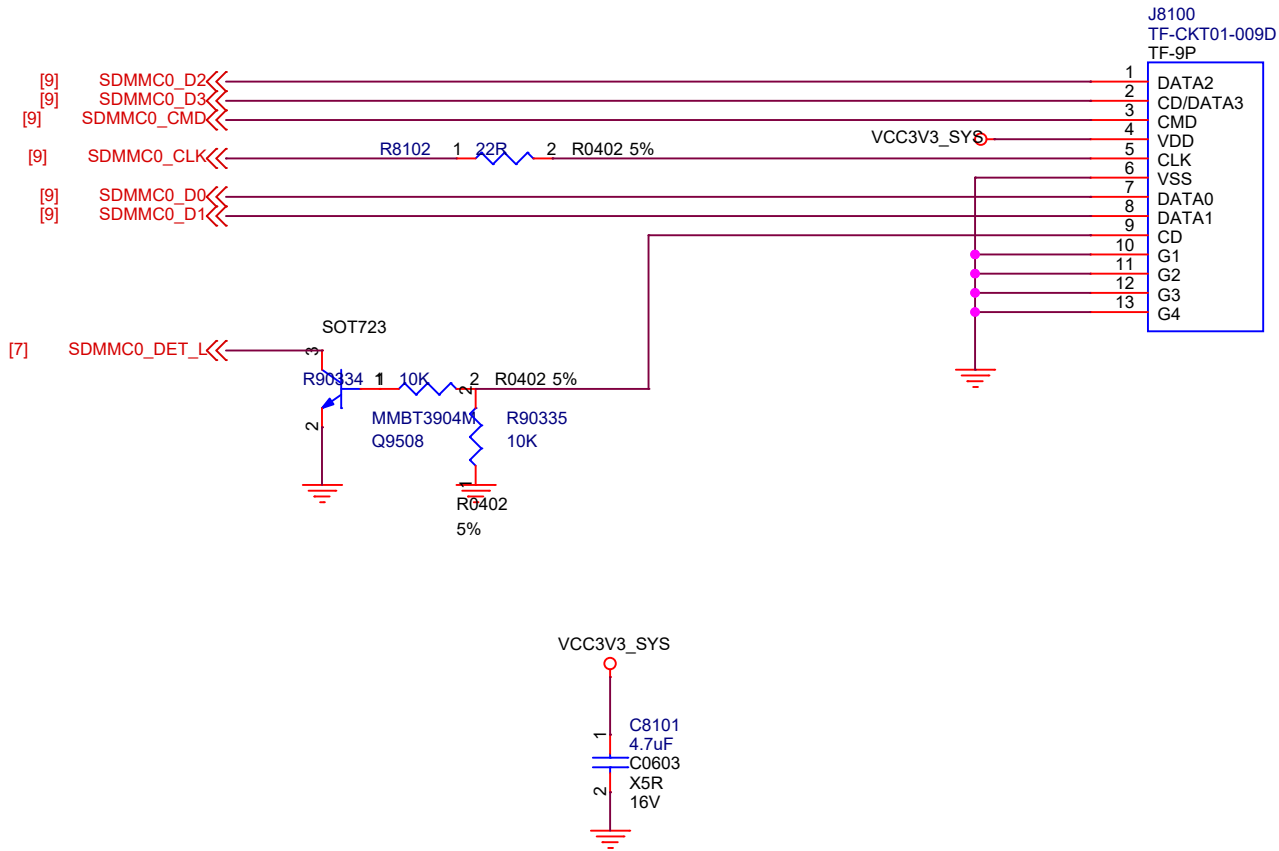
UART_CTS_N	44	UART0_RTS
UART_RXD	43	UART0_TXD
UART_TXD	42	UART0_RXD
UART_RTS_N	41	UART0_CTS
TX1	40	
TX2	39	
N_REG_PU	38	
N_I2C_SCL	37	
GND	36	
N_I2C_SDA	35	
BT_RST_N	34	BT_REG_ON_H

/SDIO_CLK R6306 1 33R 5% 2 R0402 SDIO0_CLK

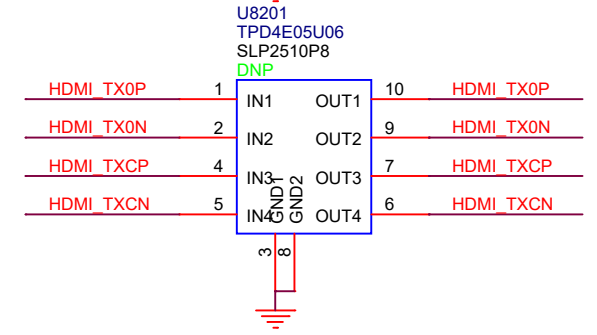
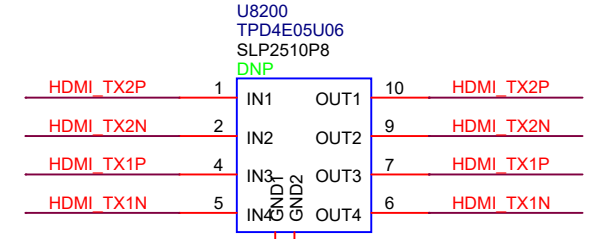
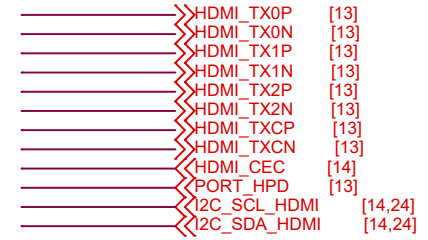
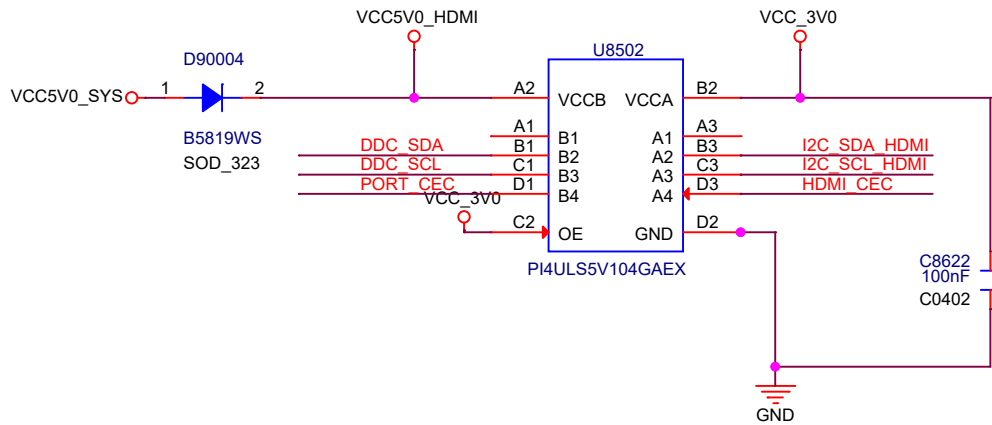
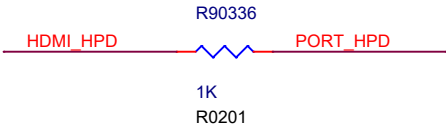
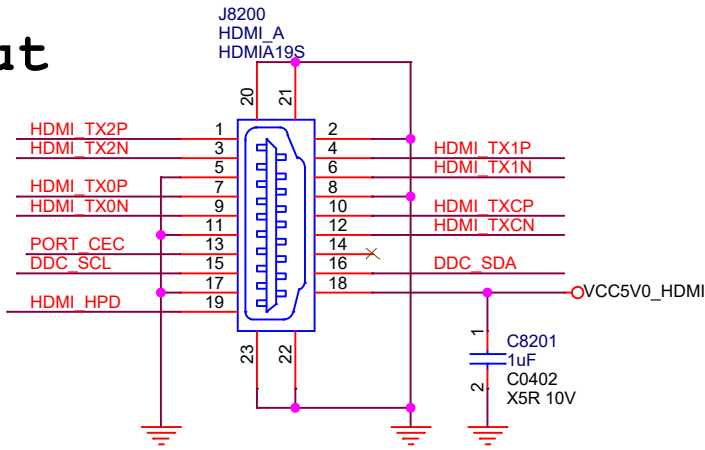


Size	Title: Radxa ROCK 4B+	REV
A4	Page Name: WIFI/BT/MIMO-AP6354	1.6
Date: Wednesday, October 11, 2023	Sheet 22	of 24

TF CARD



HDMI Output



radxa		
Size	Title: Radxa ROCK 4B+	REV
A4	Page Name: HDMI Output	1.6
Date: Wednesday, October 11, 2023	Sheet 24 of 24	