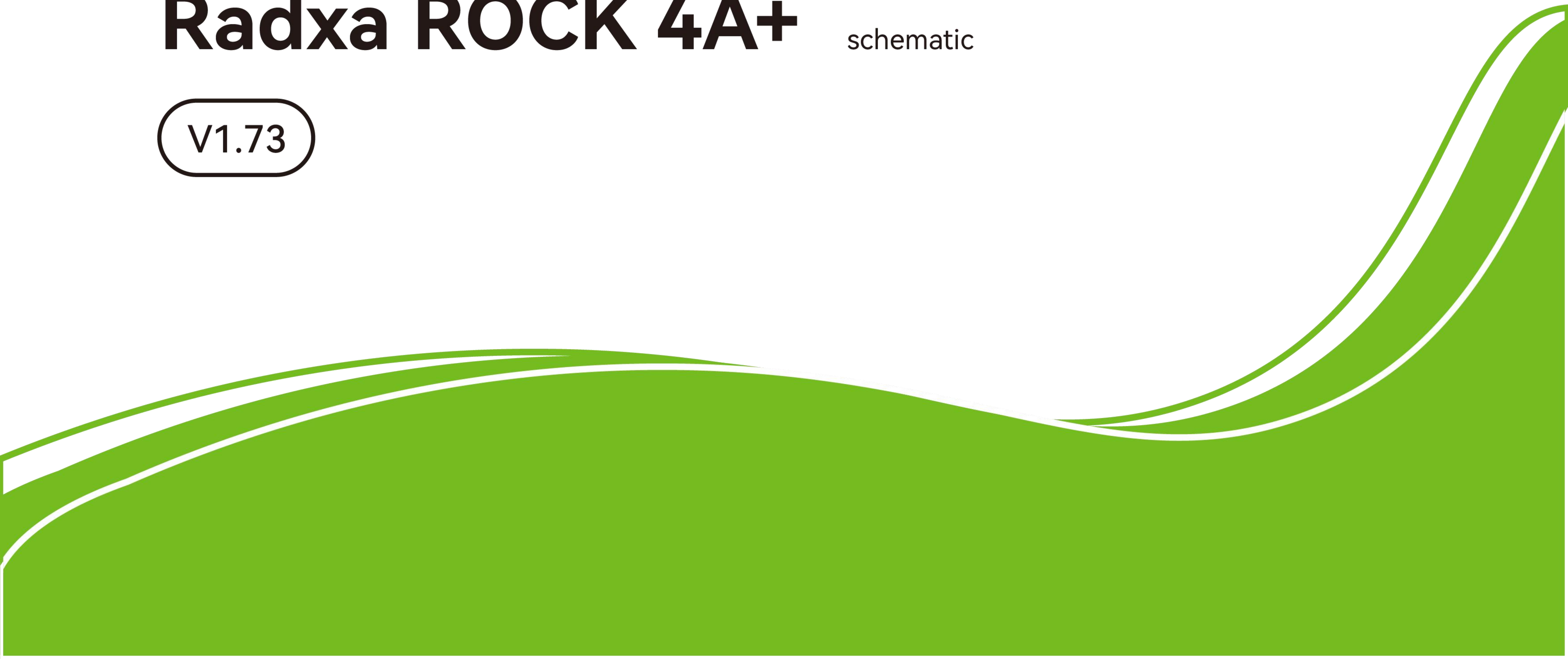


# Radxa ROCK 4A+ schematic

V1.73

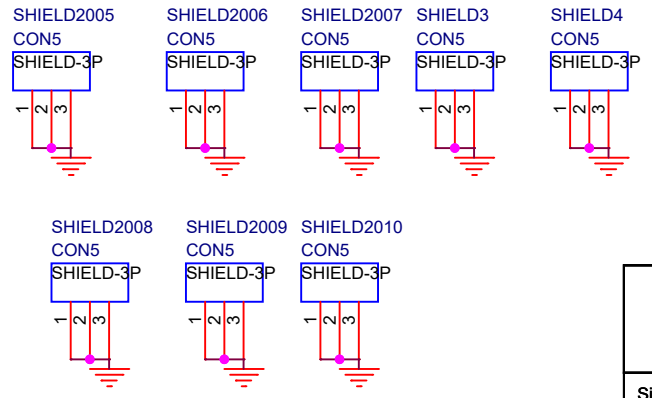
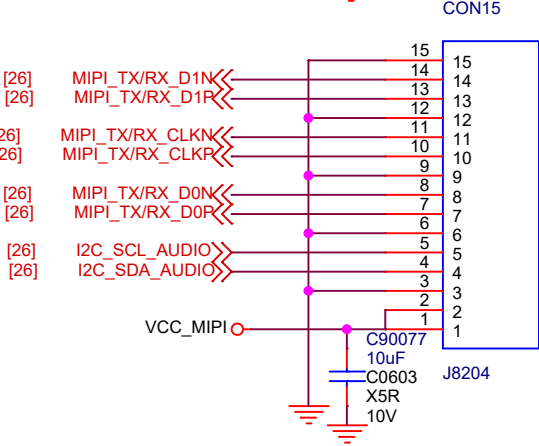
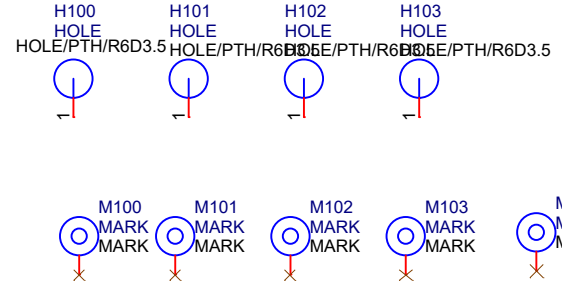
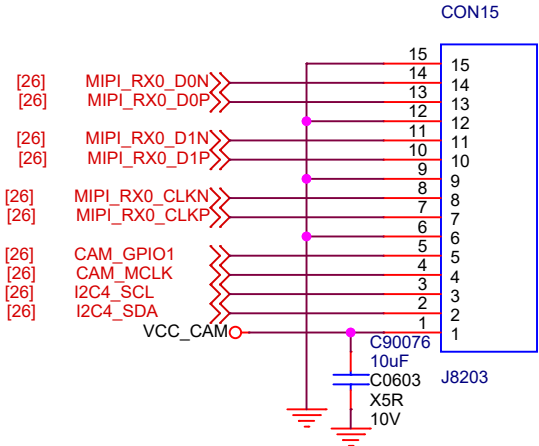
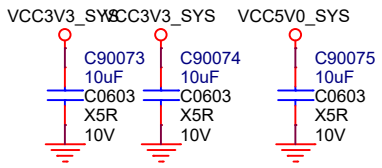
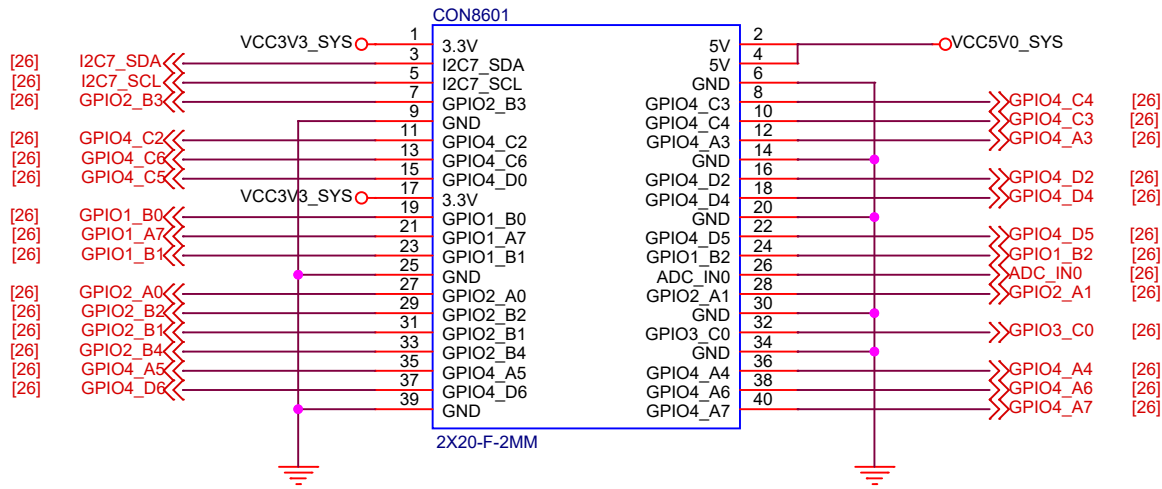


# CONTENT INDEXING

- 01.Cover
- 02.Content
- 03.CONNECTOR
- 04.ES8316
- 05.PCie NGFF/M.2
- 06.RK3399 Power
- 07.RK3399 PMU Controler
- 08.RK3399 DDR Controler
- 09.RK3399 Flash&SDMMC Controler
- 10.RK3399 USB/USIC Controler
- 11.RK3399 SARADC/Key
- 12.RK3399 DVP Interface
- 13.RK3399 Display Interface
- 14.RK3399 GPIO
- 15.RK3399 PCIE
- 16.Power-DC IN
- 17.Power-PMIC RK808-D
- 18.10/100/1000M Ethernet
- 19.USB Type-C Port
- 20.RAM-LPDDR3(178P)
- 21.Memory-eMMC
- 22.WIFI/BTMIMO-AP6354
- 23.TF Card
- 24.HDMI Output

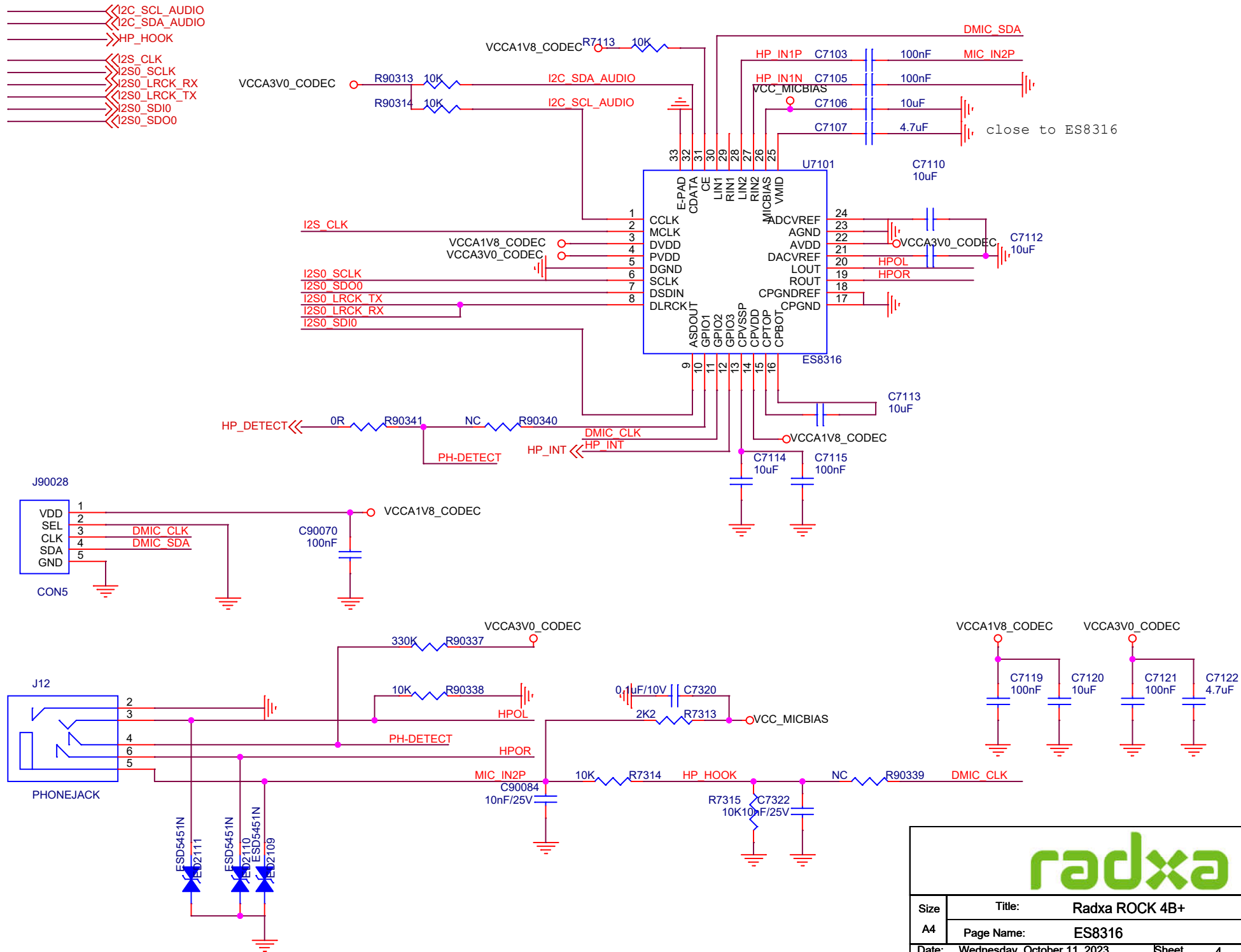


Size	Title: Radxa ROCK 4B+	REV
A4	Page Name: Content	1.73
Date: Wednesday, October 11, 2023		Sheet 2 of 24



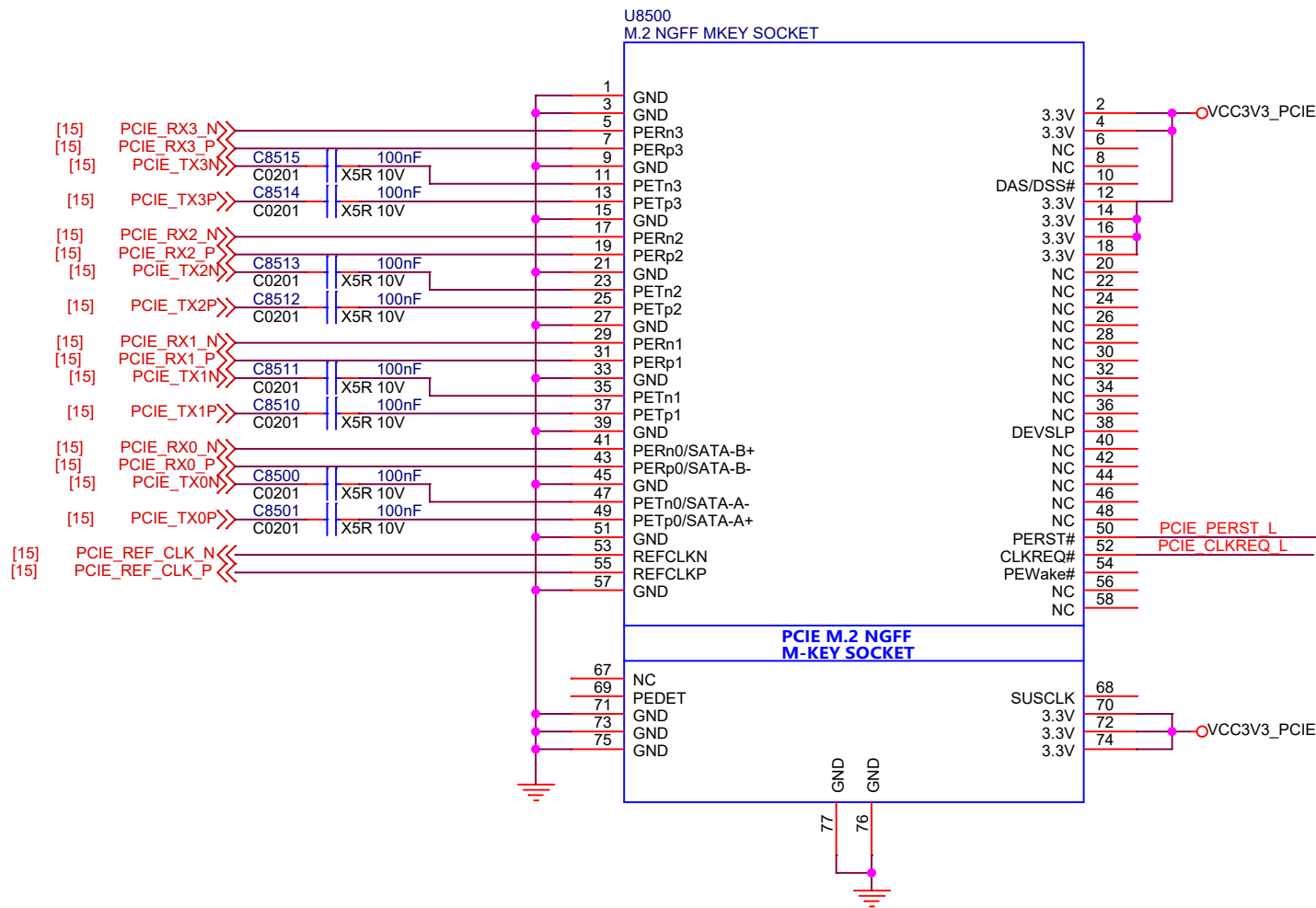
**radxa**

Size	Title: Radxa ROCK 4B+	REV
A4	Page Name: CONNECTOR	1.73
Date: Wednesday, October 11, 2023	Sheet 3 of 24	

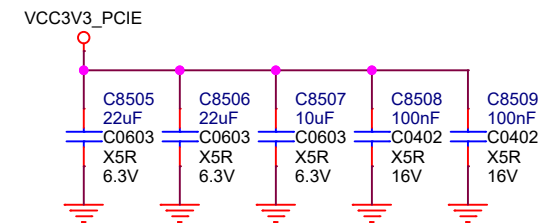
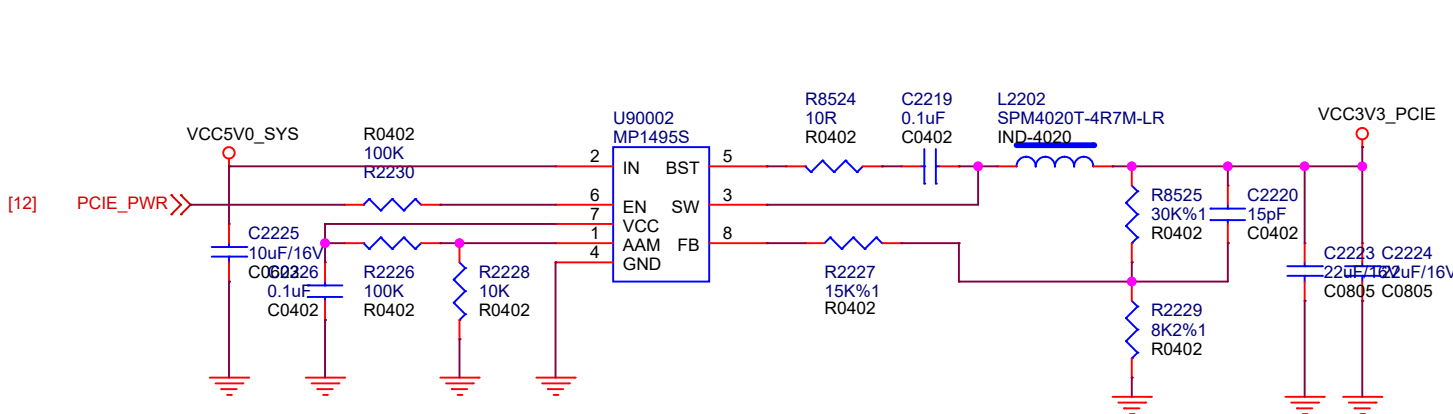


Size	Title: Radxa ROCK 4B+	REV
A4	Page Name: ES8316	1.73
Date: Wednesday, October 11, 2023	Sheet	4 of 24

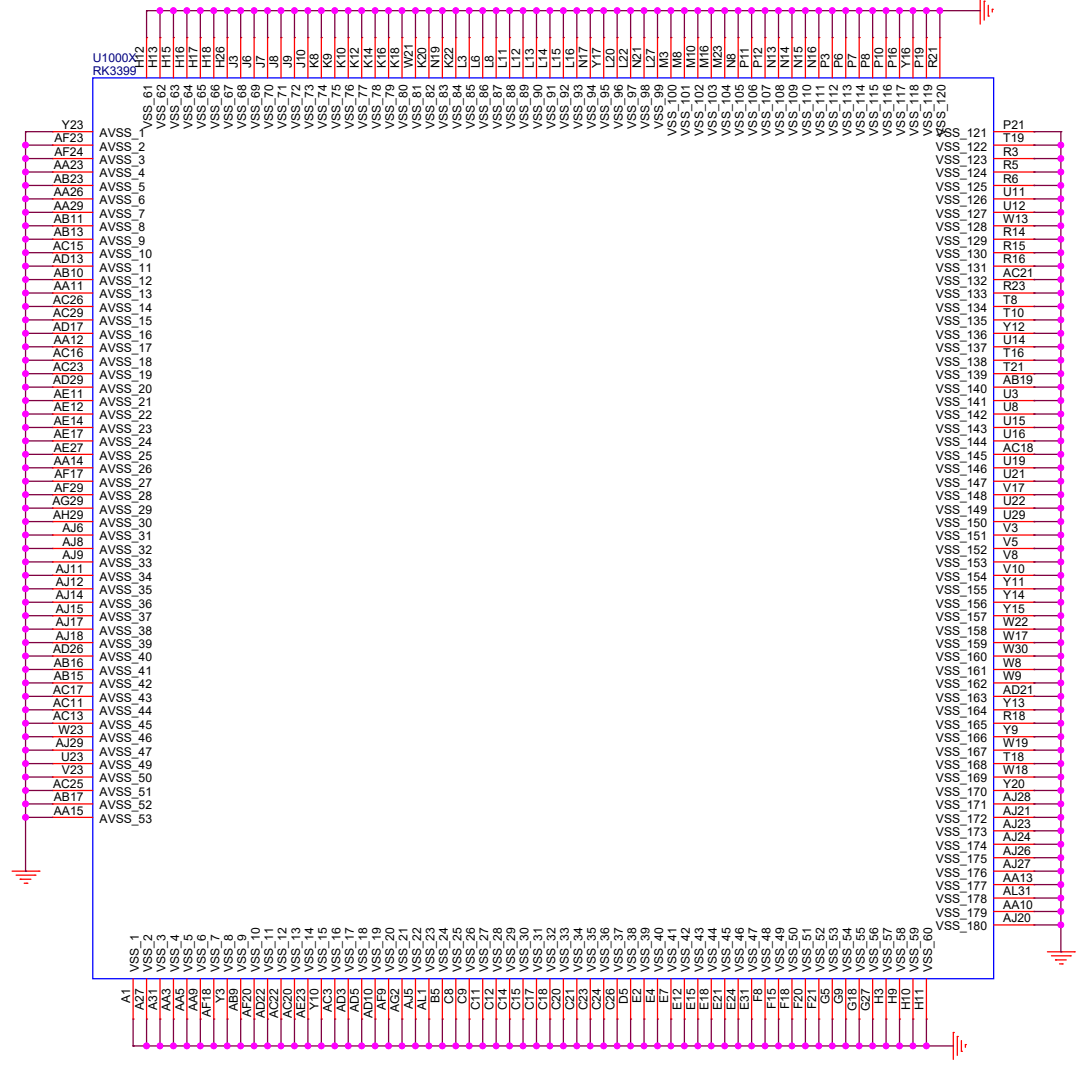
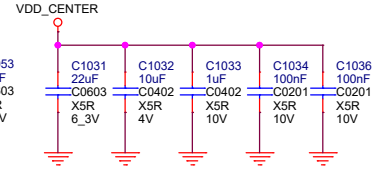
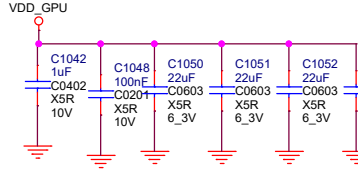
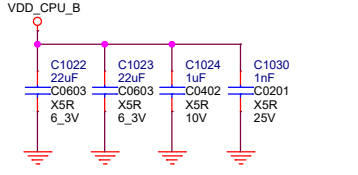
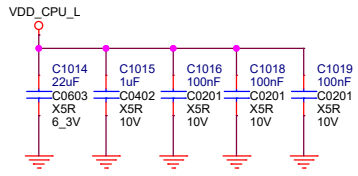
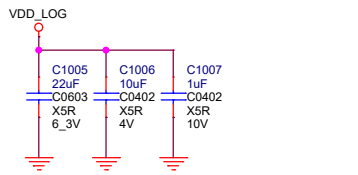
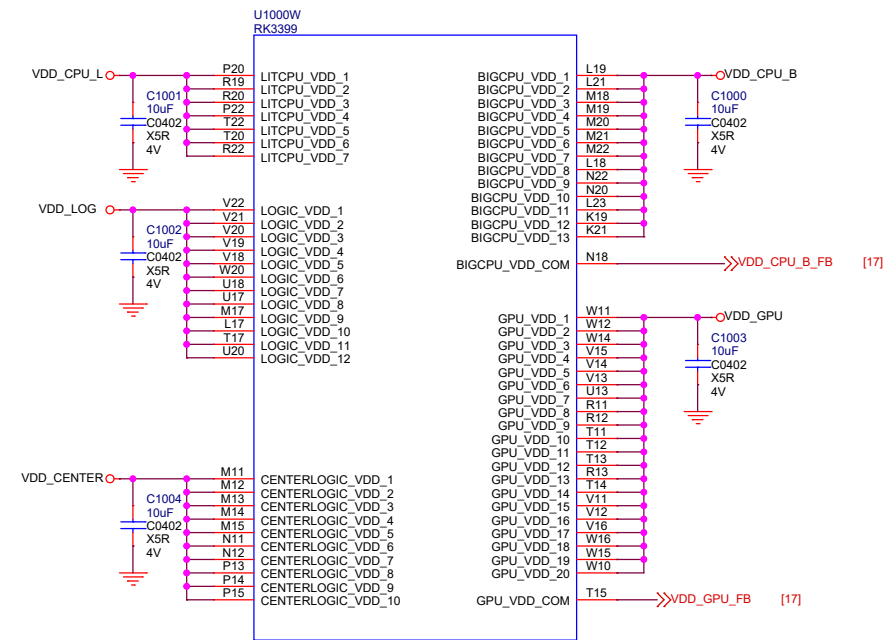
# PCIe NGFF/M.2

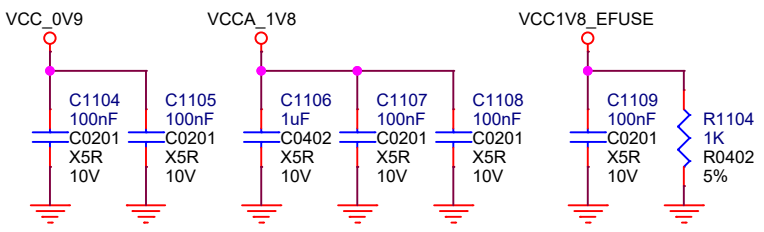
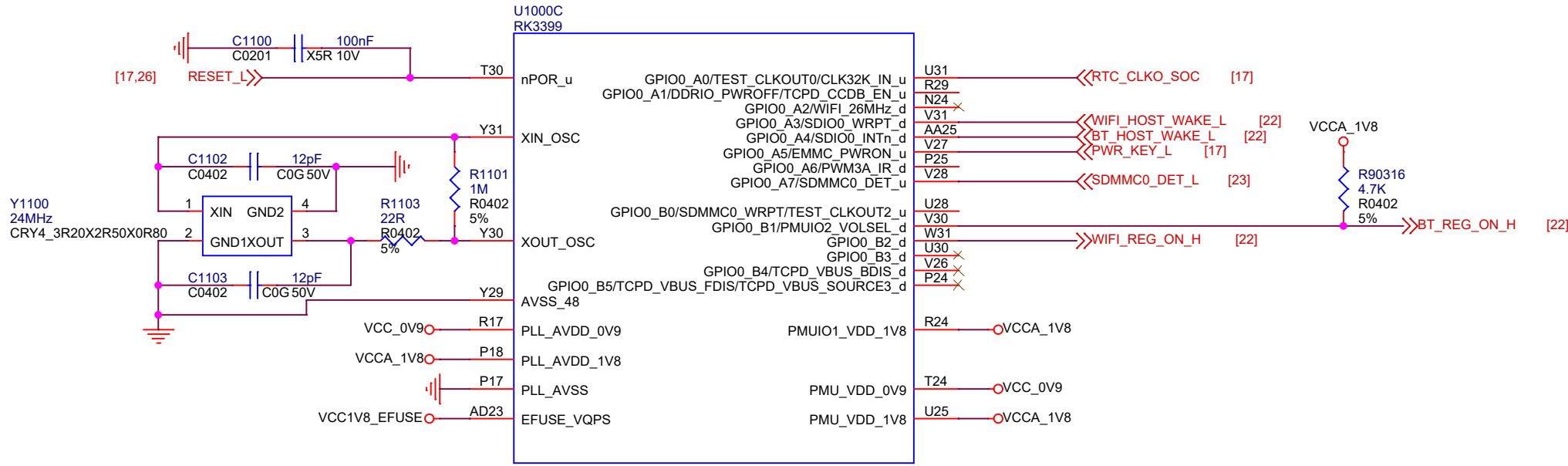


[12] PCIe\_PERST\_L  
[14] PCIe\_CLKREQ\_L



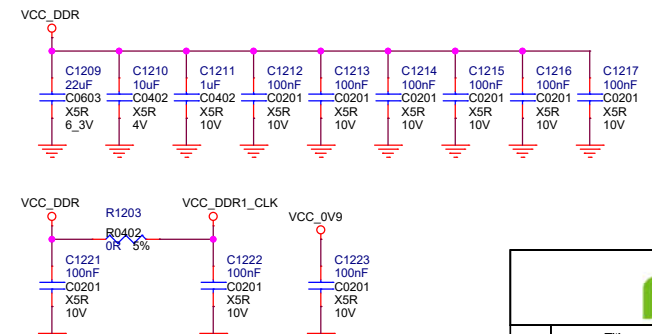
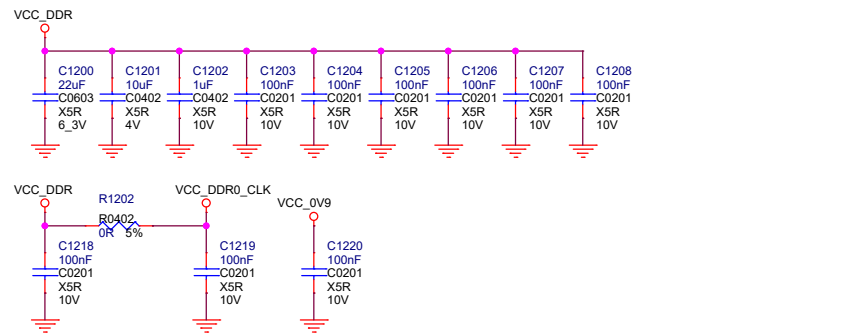
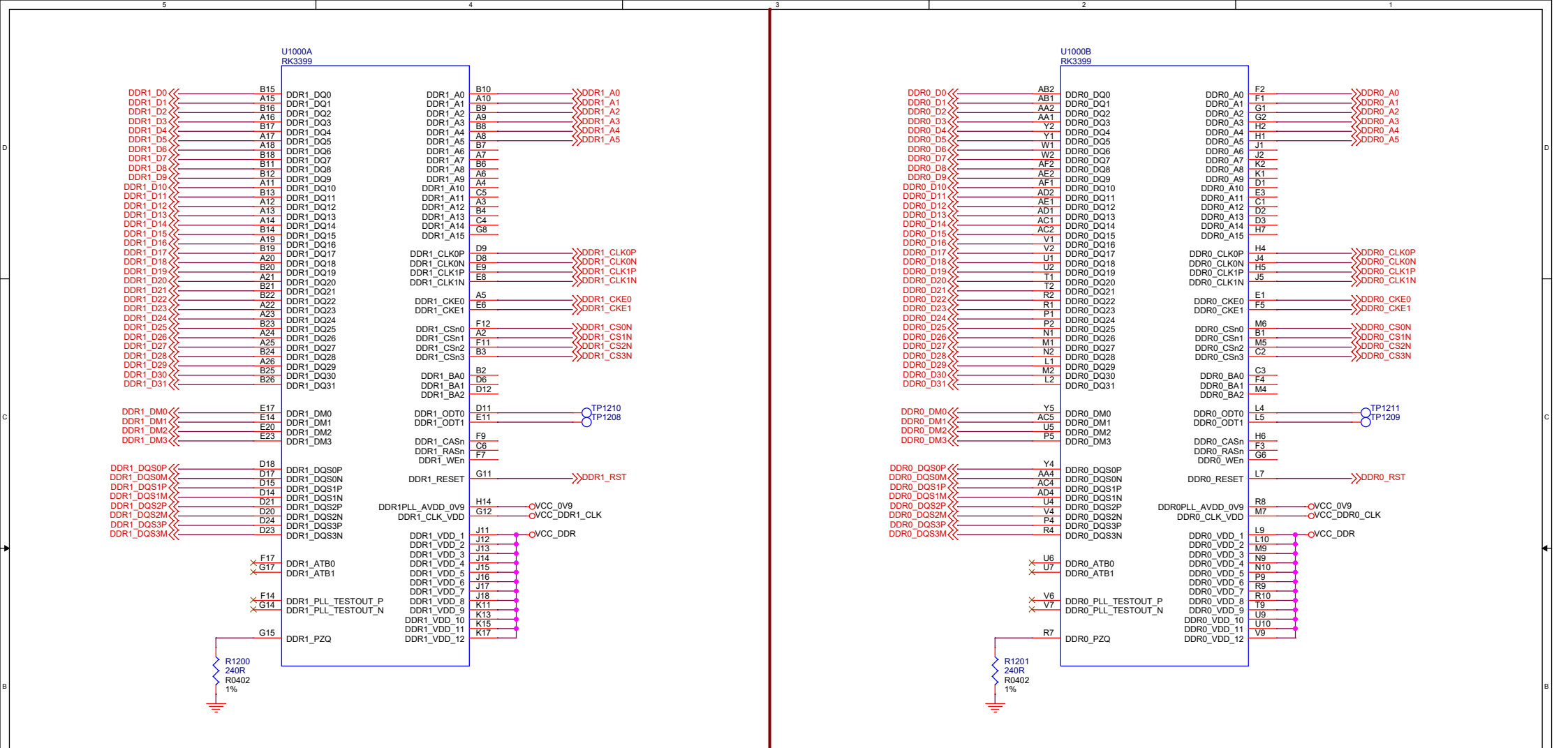
Size	Title: Radxa ROCK 4B+	REV
A4	Page Name: PCIe NGFF/M.2	1.73
Date: Wednesday, October 11, 2023 Sheet 5 of 24		







<b>Size</b>	<b>Title:</b> Radxa ROCK 4B+	<b>REV</b>
A4	<b>Page Name:</b> RK3399 PMU Controller	1.73
<b>Date:</b> Wednesday, October 11, 2023		<b>Sheet</b> 7 <b>of</b> 24

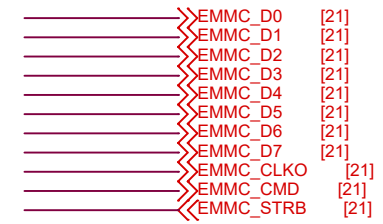
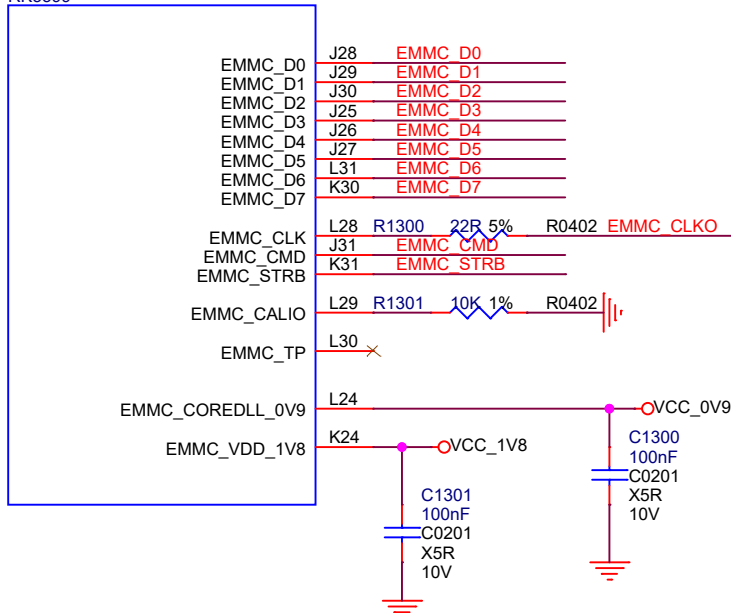


**radxa**

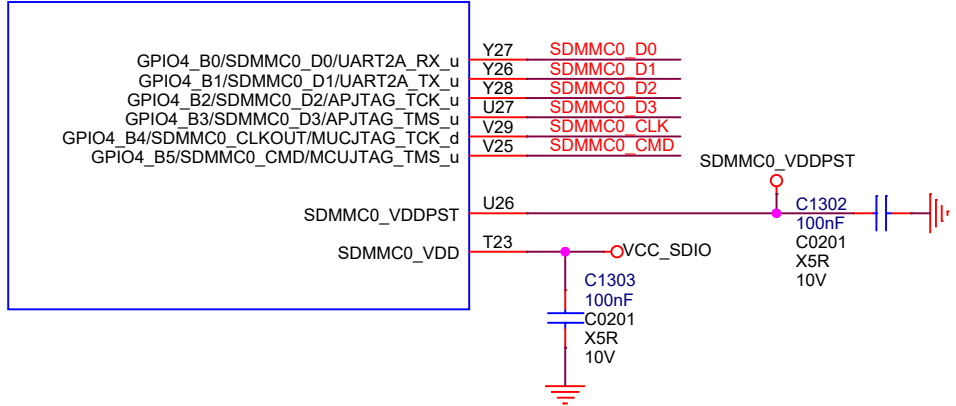
Size	Title: Radxa ROCK 4B+	REV
A3	Page Name: RK3399 DDR Controler	1.73
Date: Wednesday, October 11, 2023	Sheet 8	of 24



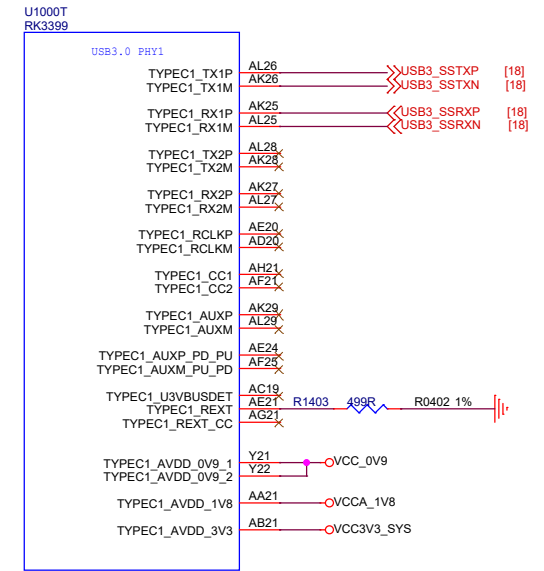
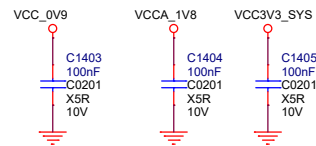
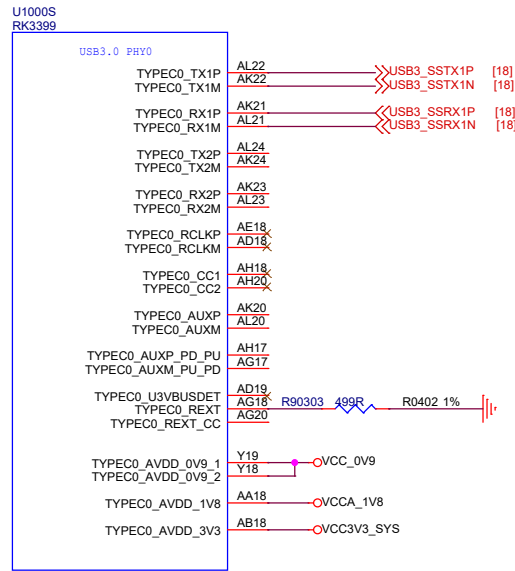
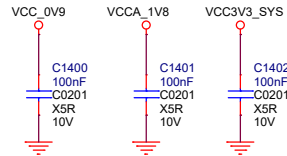
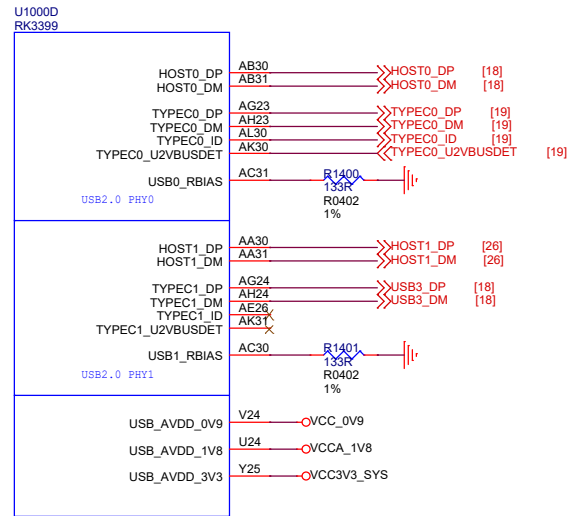
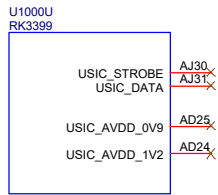
U1000H  
RK3399

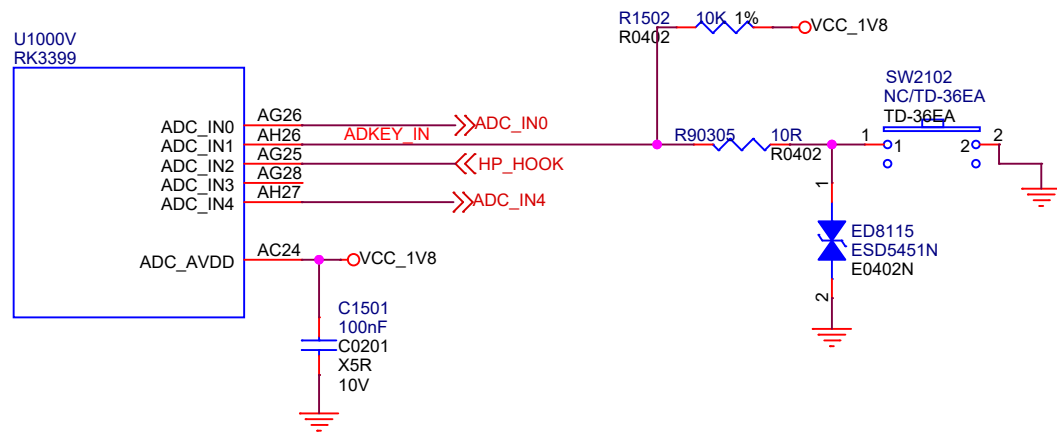


U1000F  
RK3399



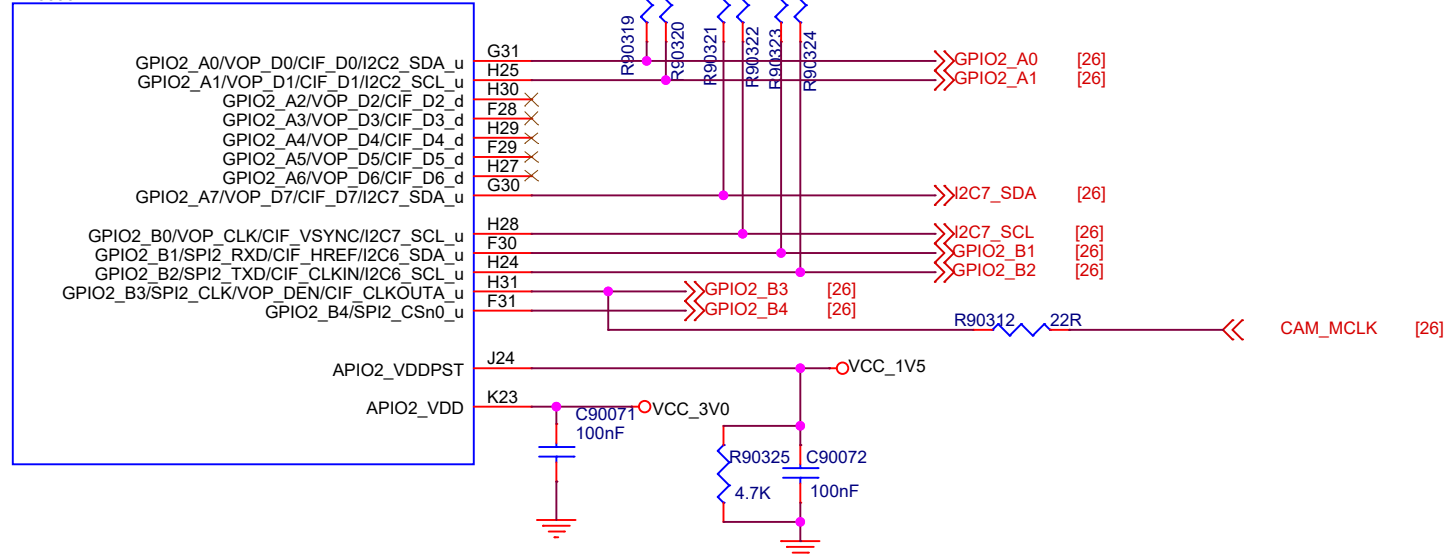
Size	Title: Radxa ROCK 4B+	REV
A4	Page Name: RK3399 Flash&SDMMC Controller	1.73
Date: Wednesday, October 11, 2023	Sheet 9 of 24	



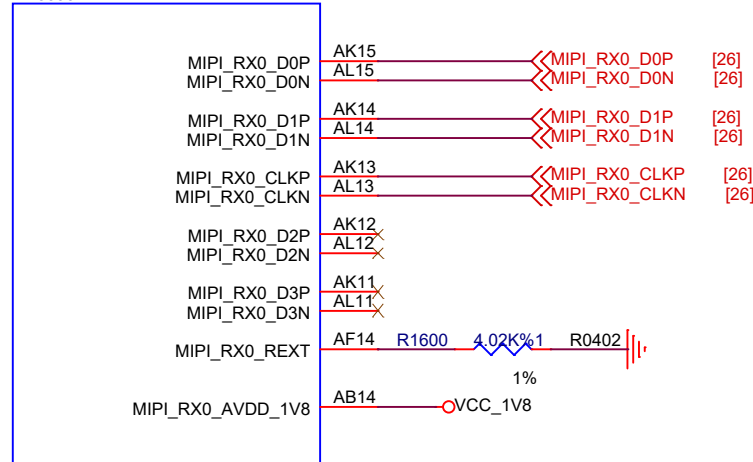


Size	Title: Radxa ROCK 4B+	REV
A4	Page Name: RK3399 SARADC/Key	1.73
Date: Wednesday, October 11, 2023	Sheet 11 of 24	

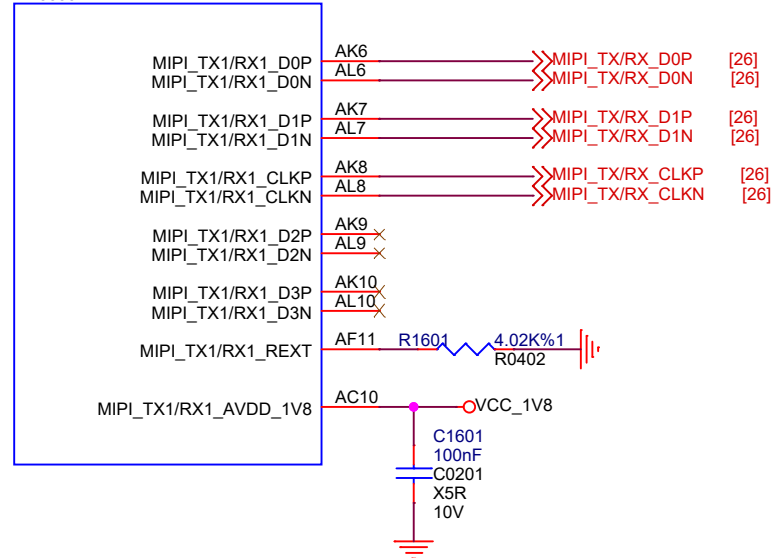
U1000L  
RK3399



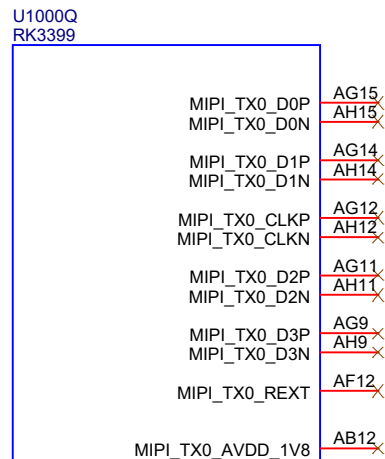
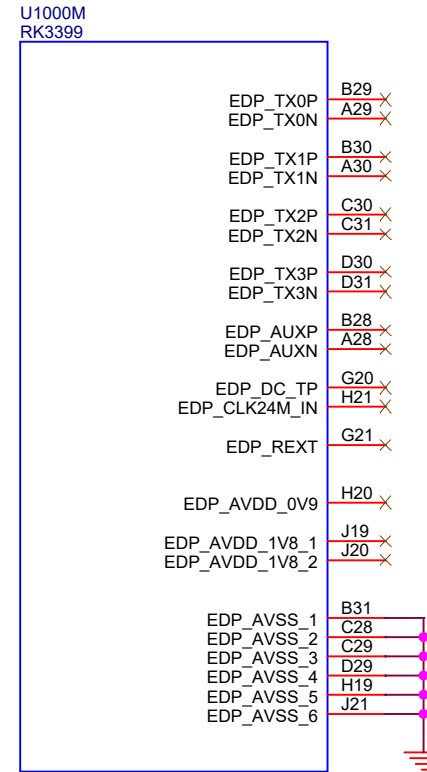
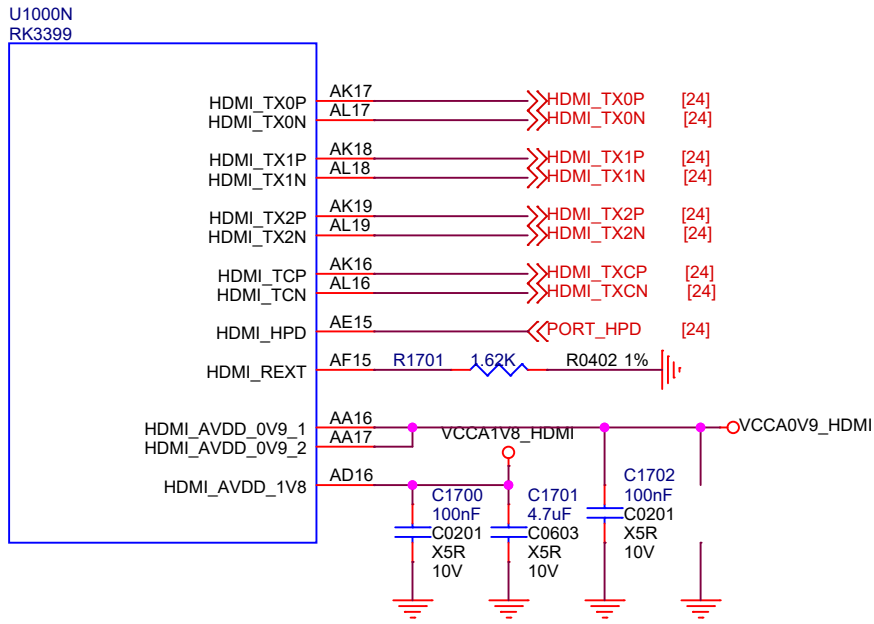
U1000R  
RK3399



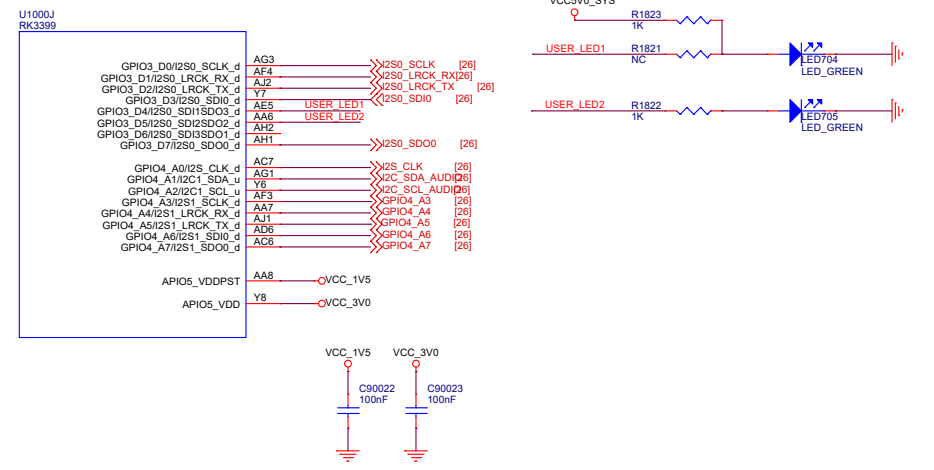
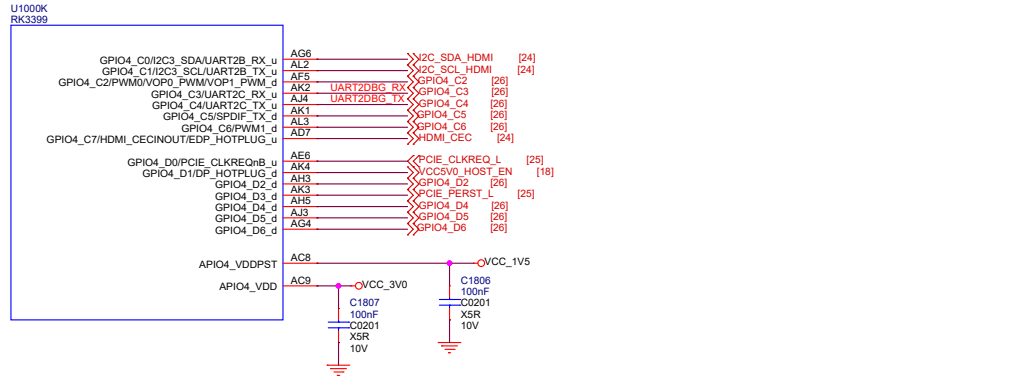
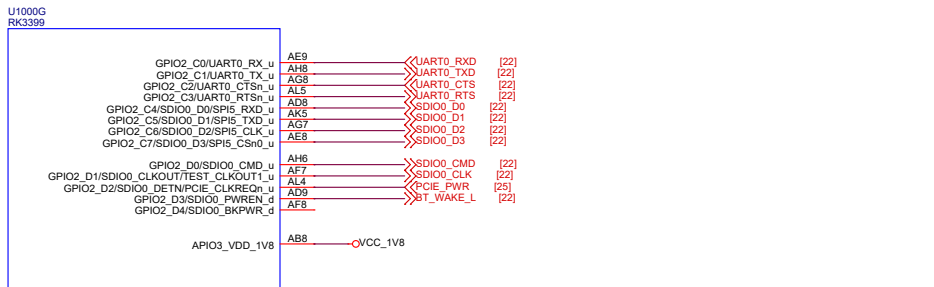
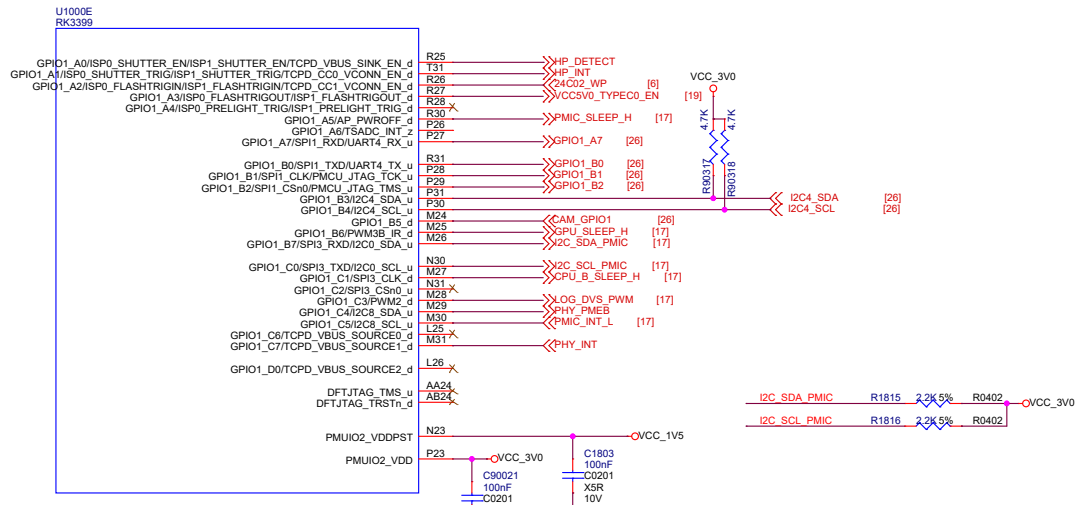
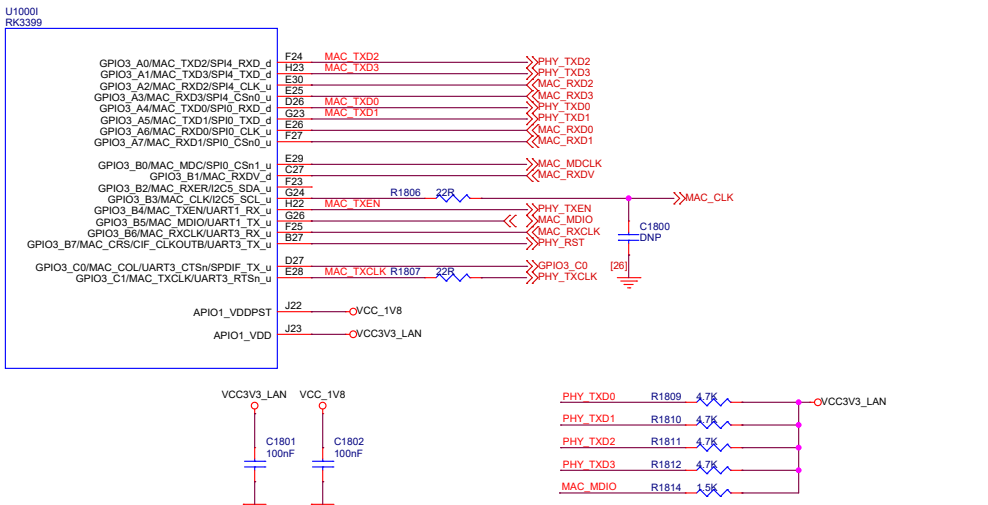
U1000P  
RK3399



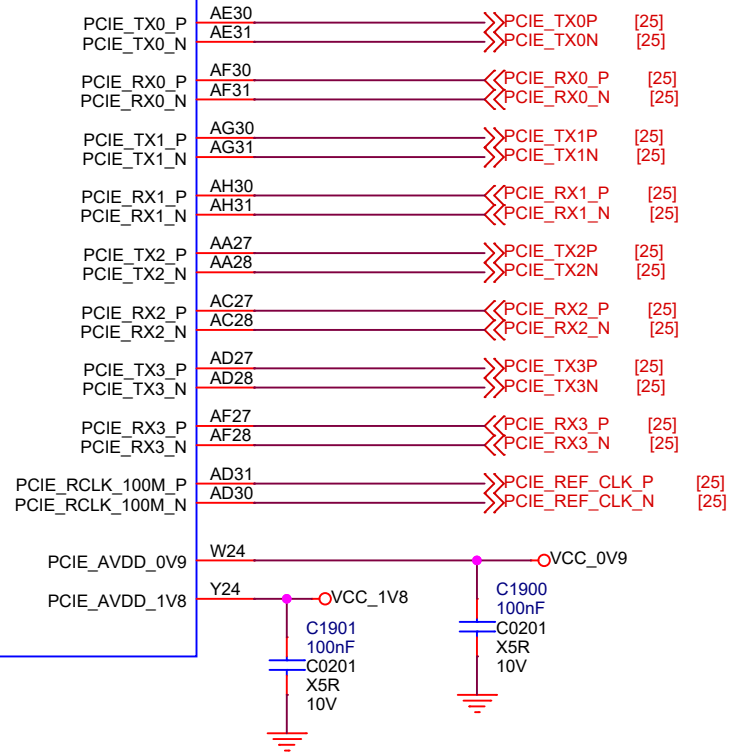
Size	Title: Radxa ROCK 4B+	REV
A4	Page Name: RK3399 DVP Interface	1.73
Date: Wednesday, October 11, 2023	Sheet 12 of 24	



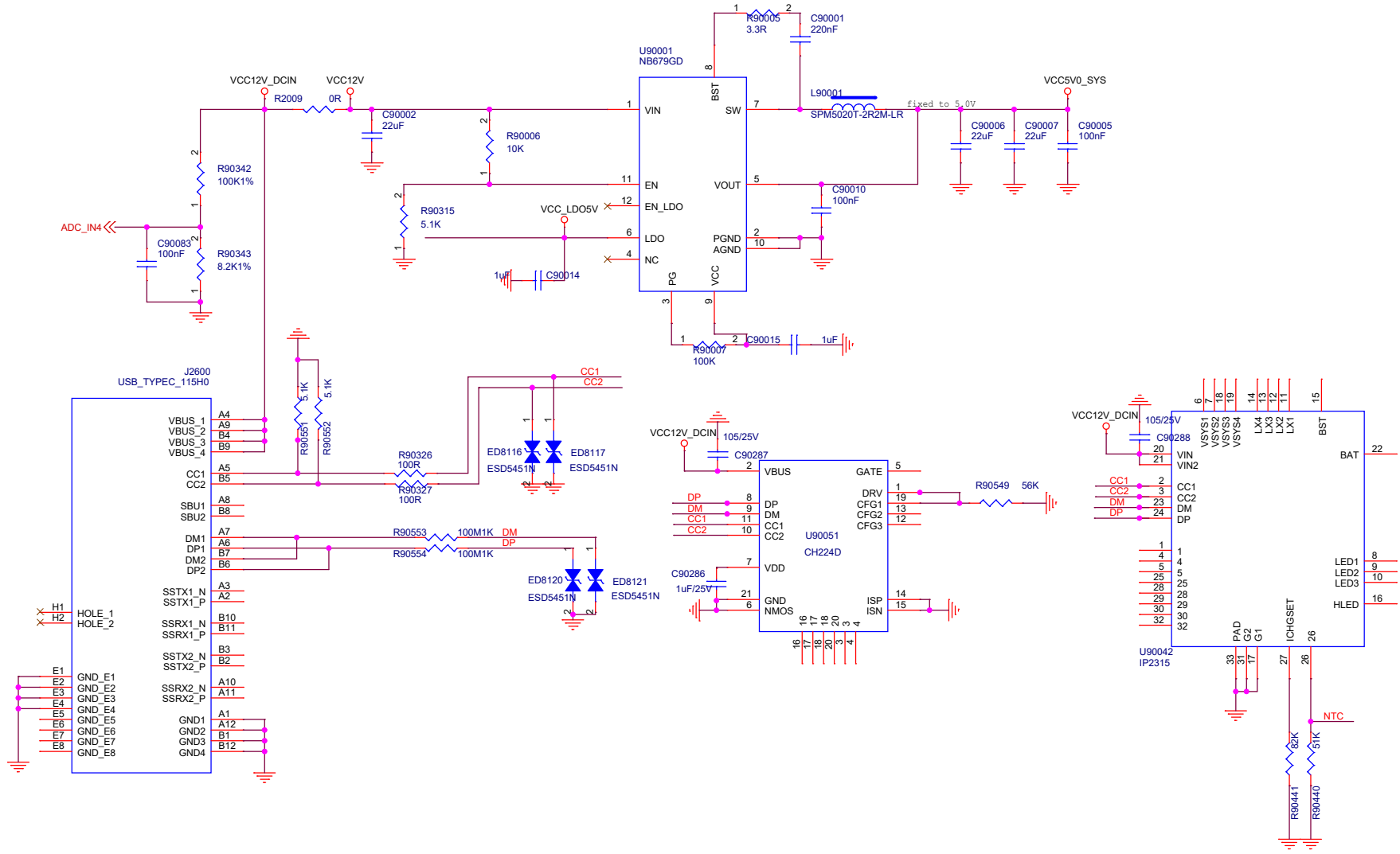
Size	Title: Radxa ROCK 4B+	REV
A4	Page Name: RK3399 Display Interface	1.73
Date: Wednesday, October 11, 2023	Sheet 13 of 24	



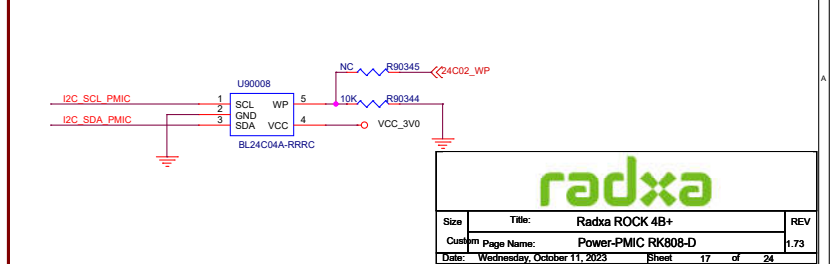
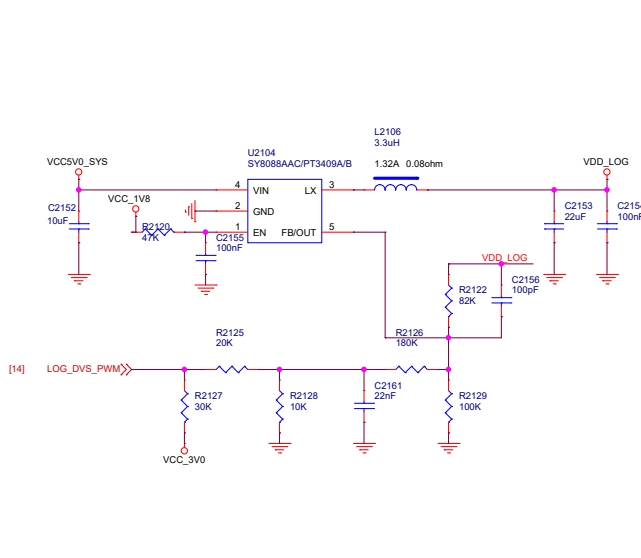
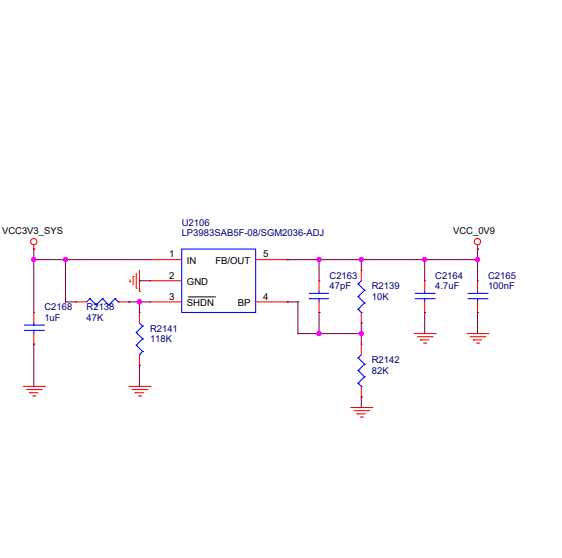
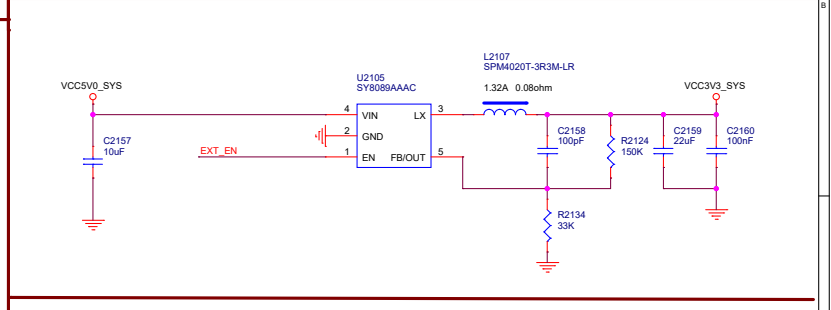
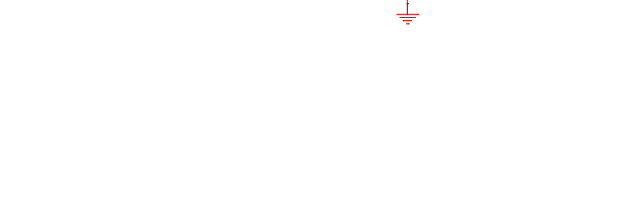
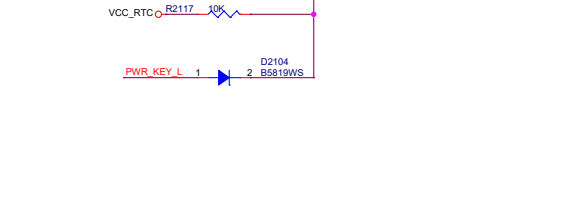
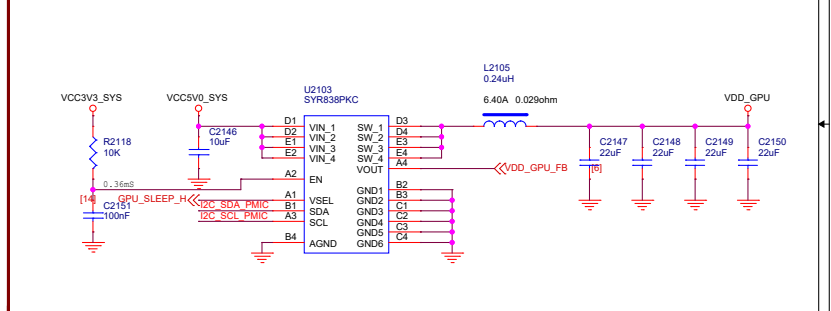
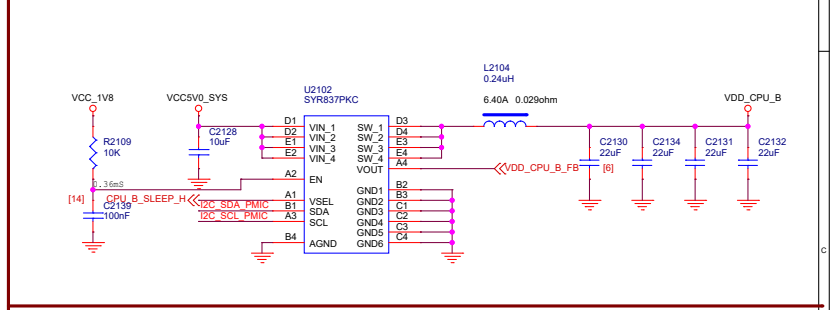
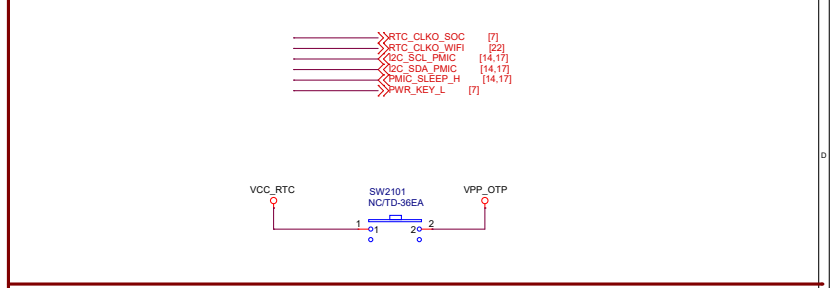
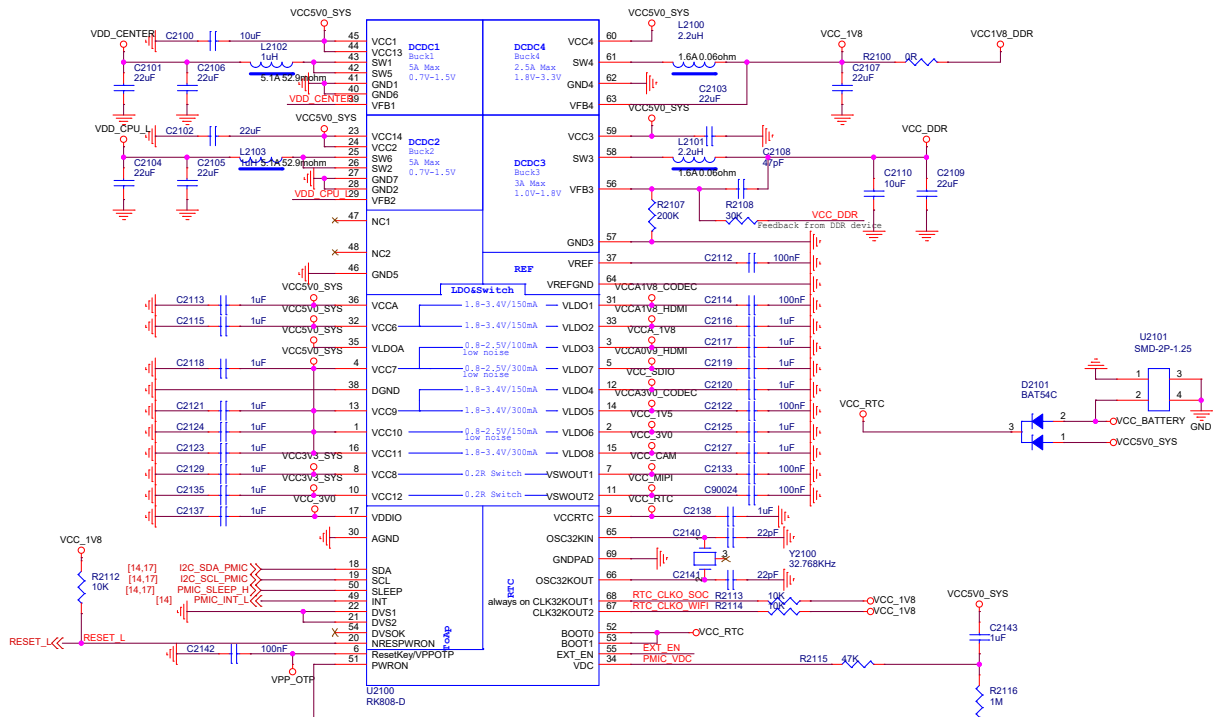
U10000  
RK3399

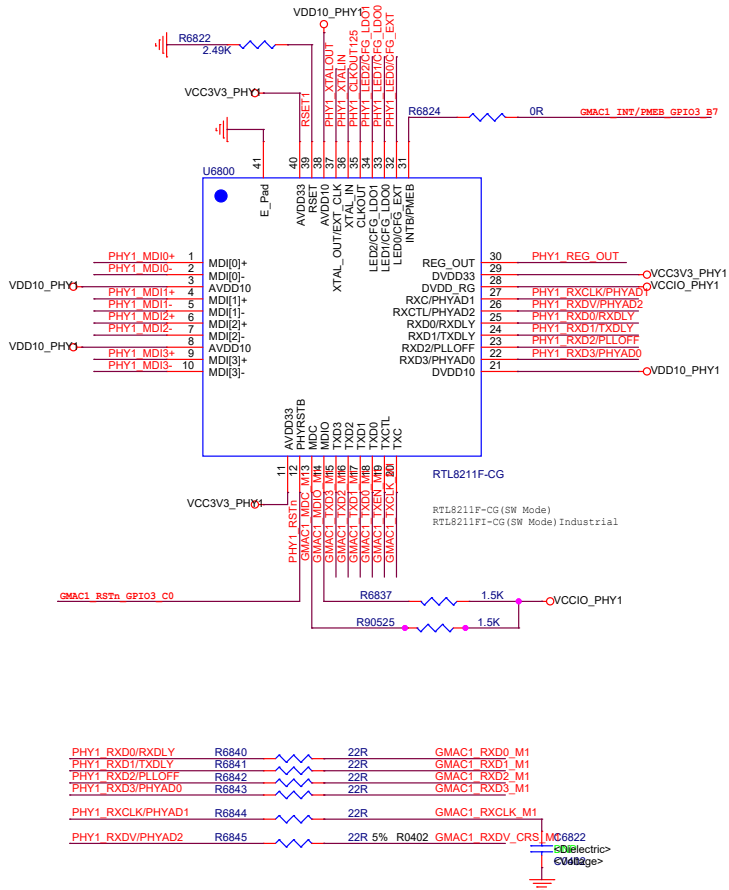
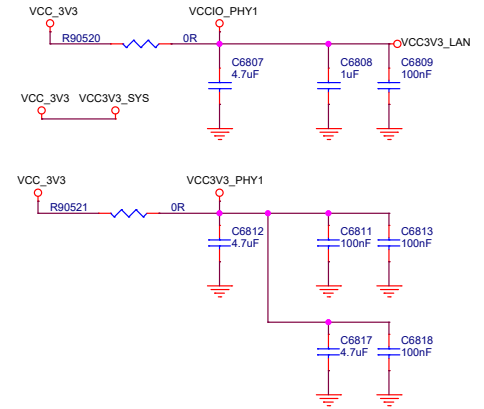
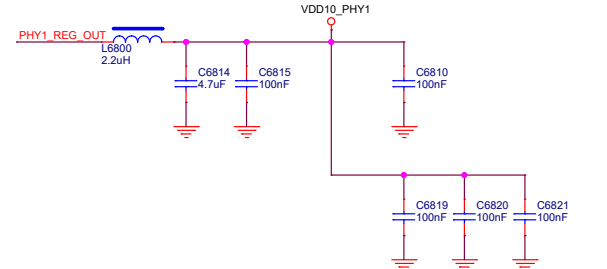
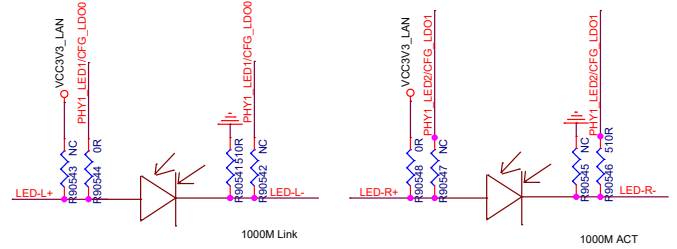
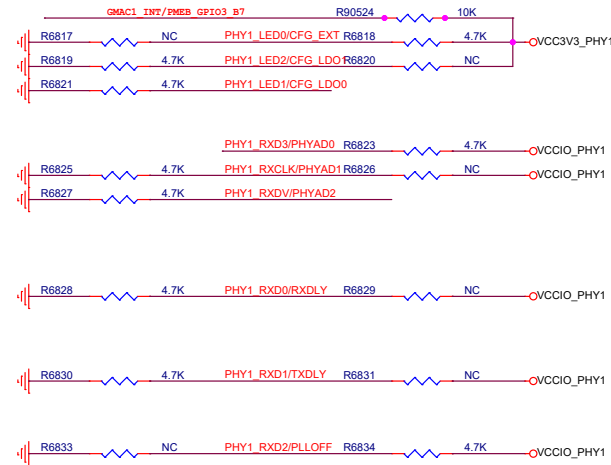
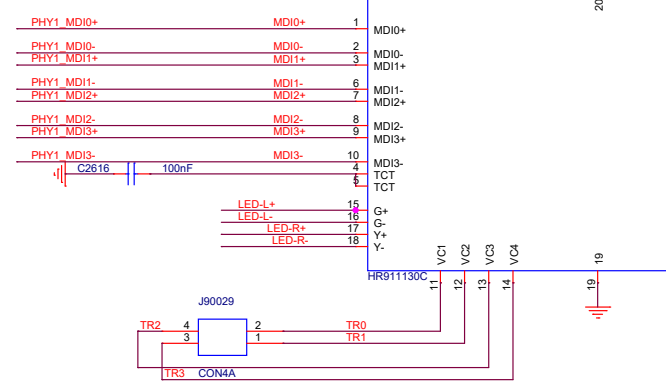
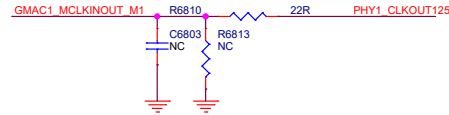
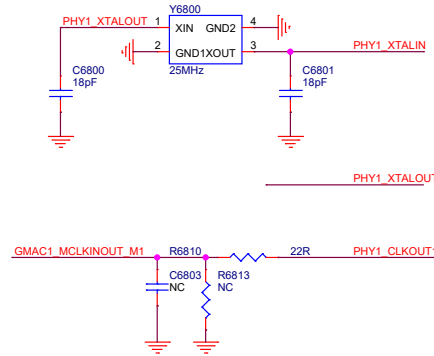
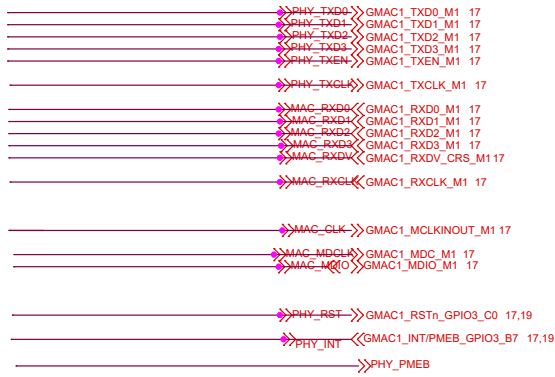


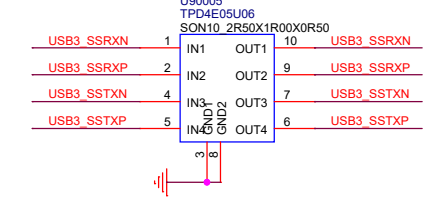
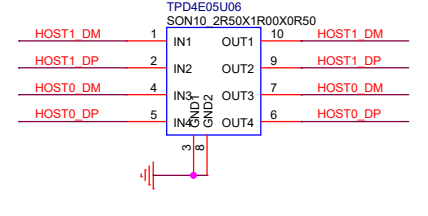
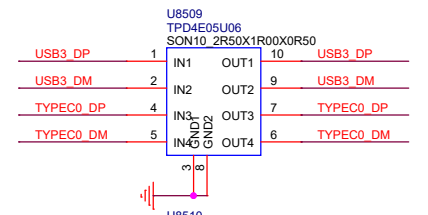
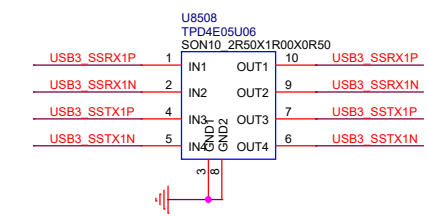
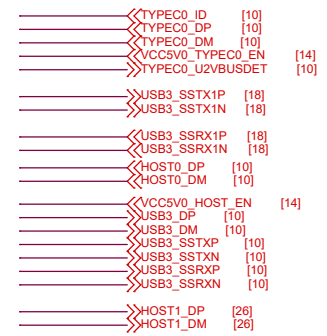
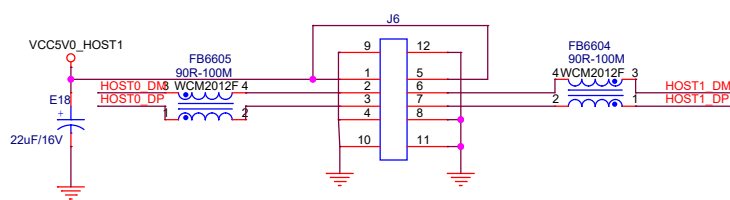
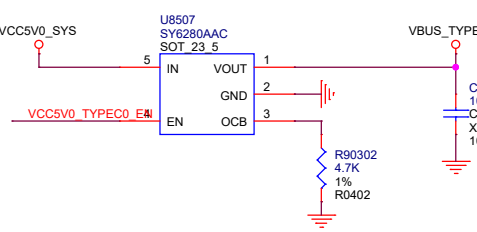
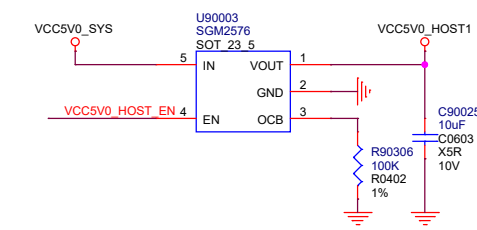
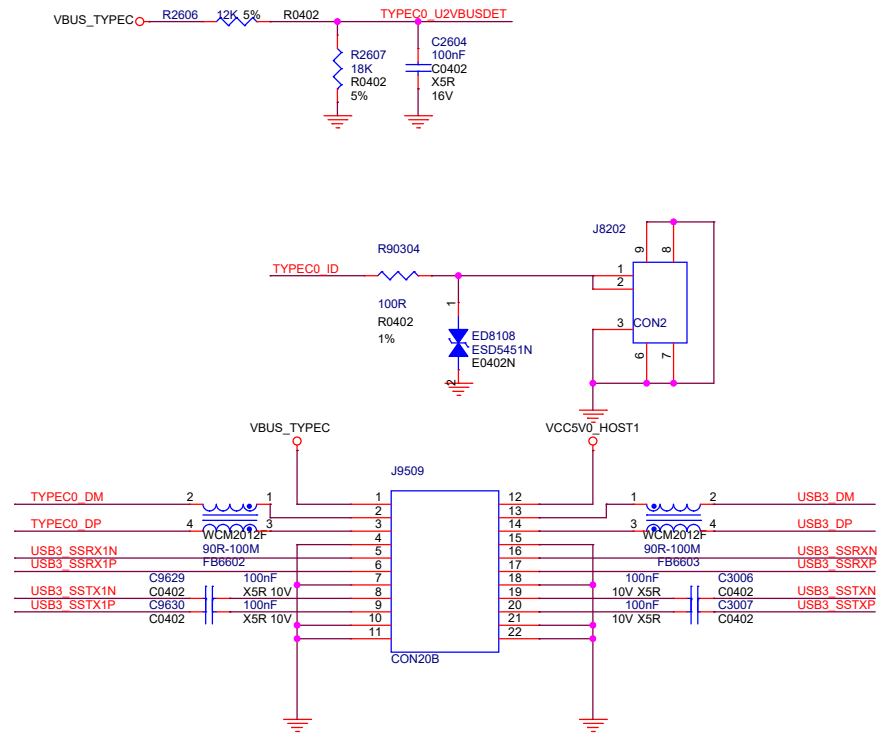
Size	Title: Radxa ROCK 4B+	REV
A4	Page Name: RK3399 PCIE	1.73
Date: Wednesday, October 11, 2023		Sheet 15 of 24

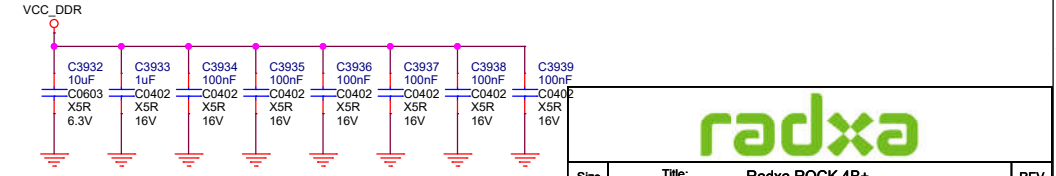
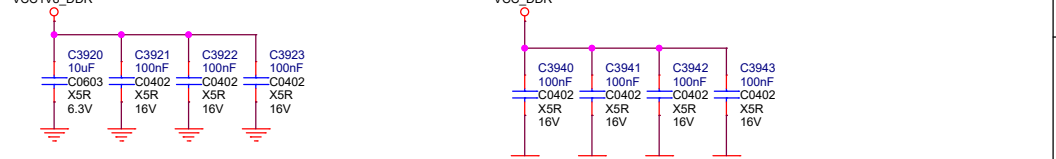
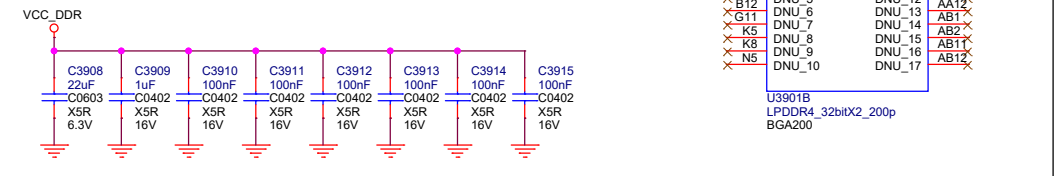
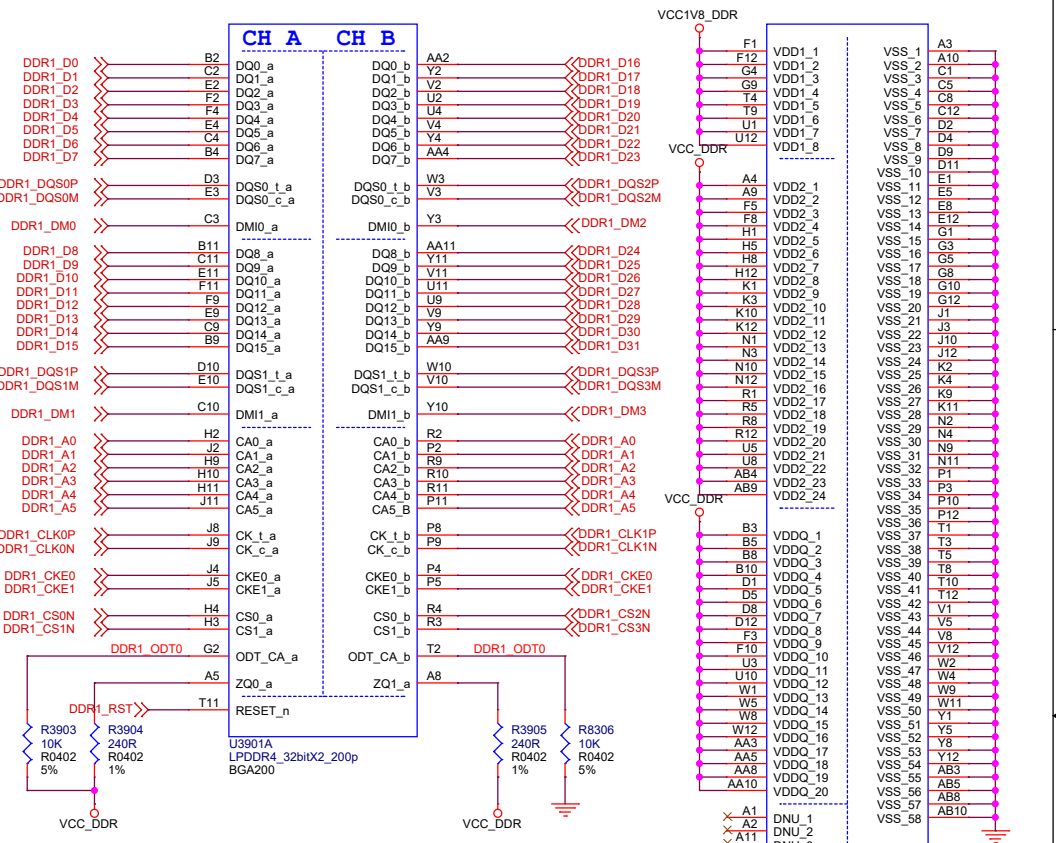
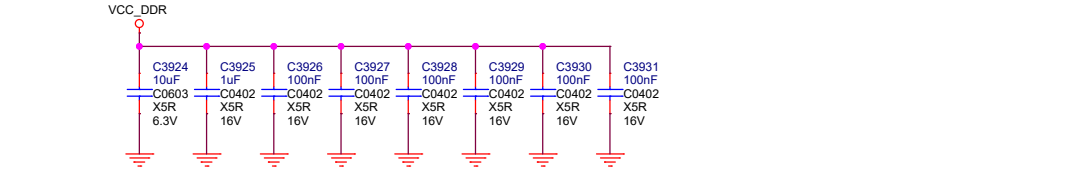
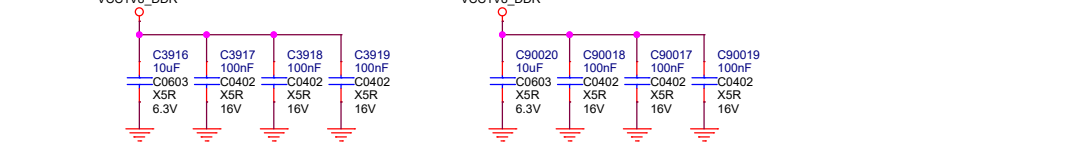
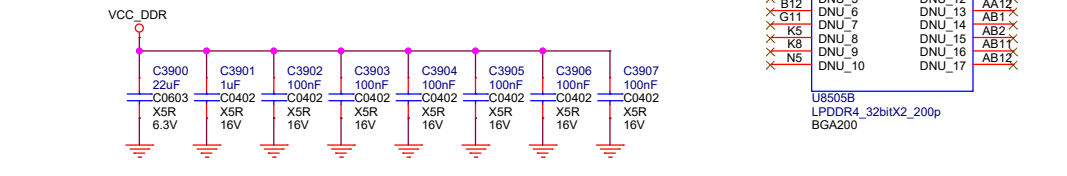
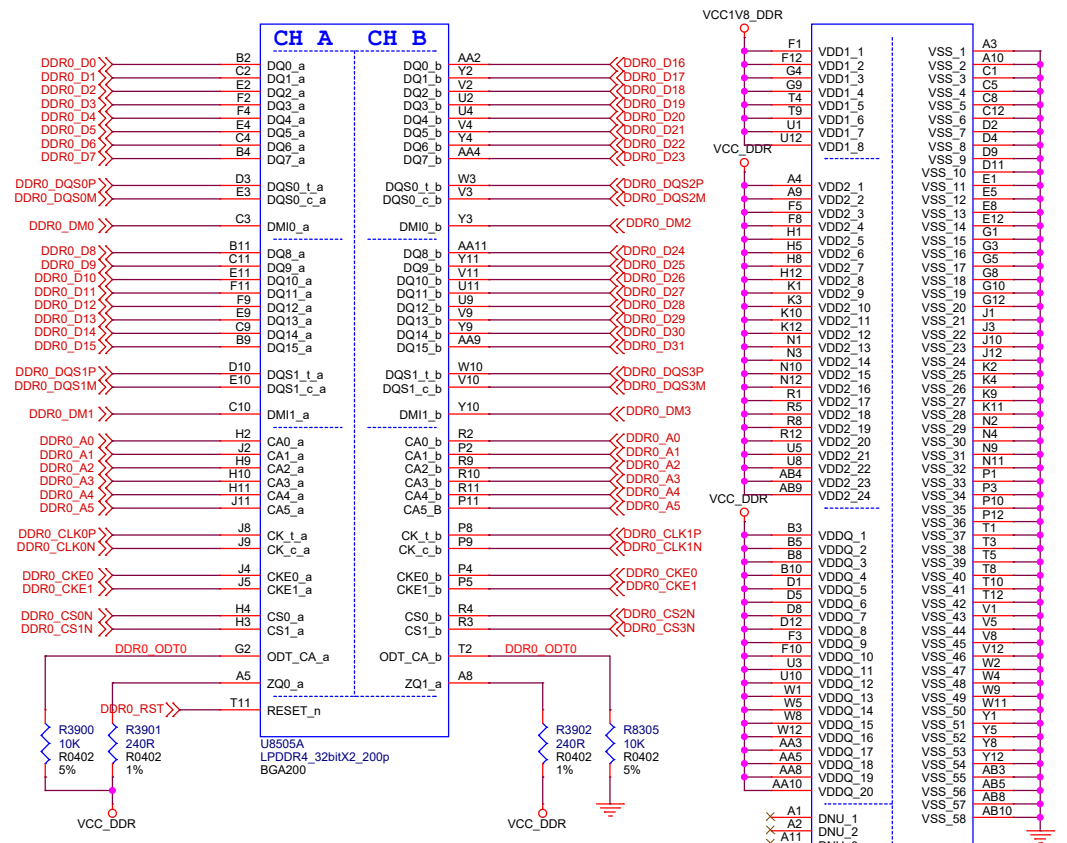


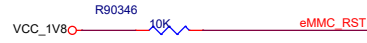
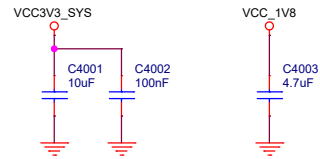




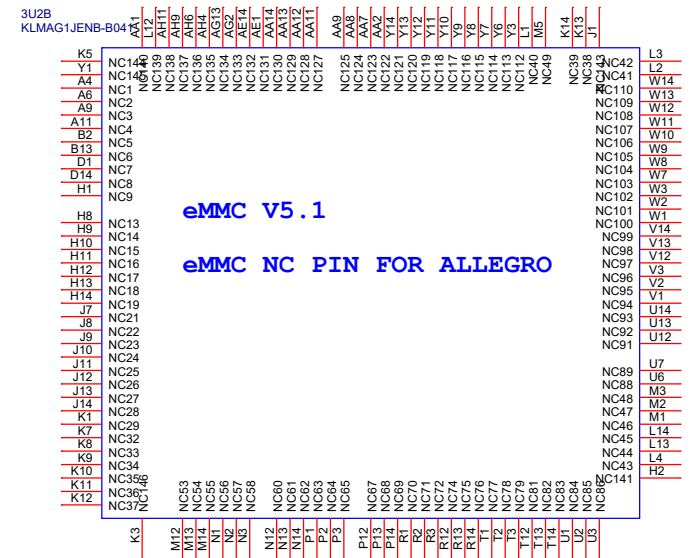
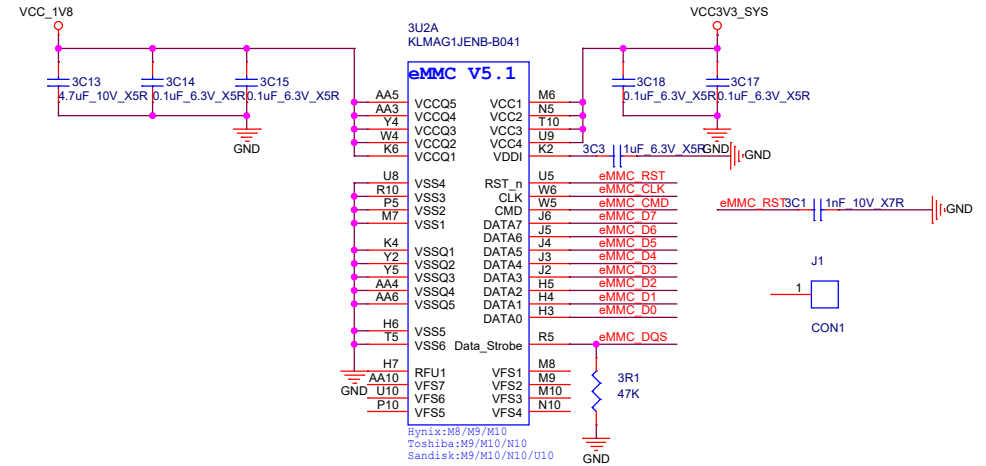
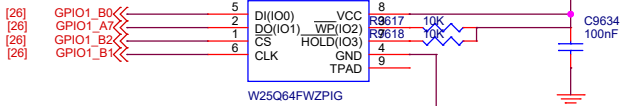
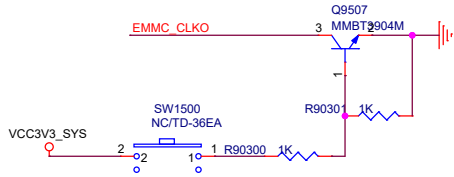




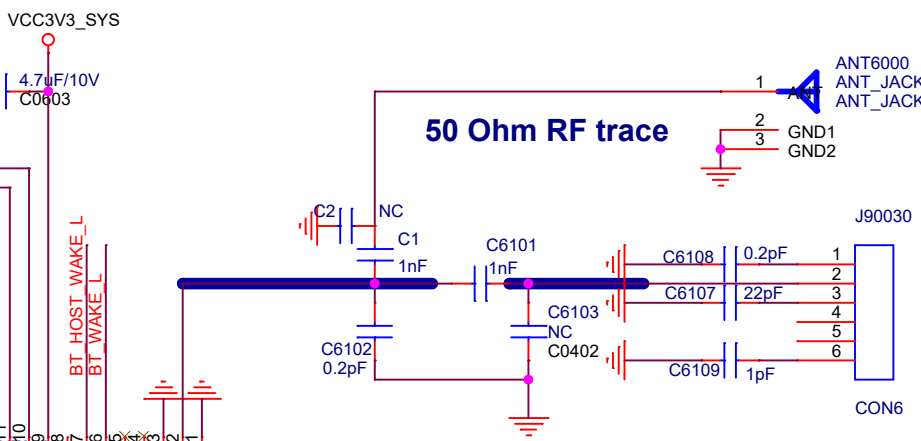
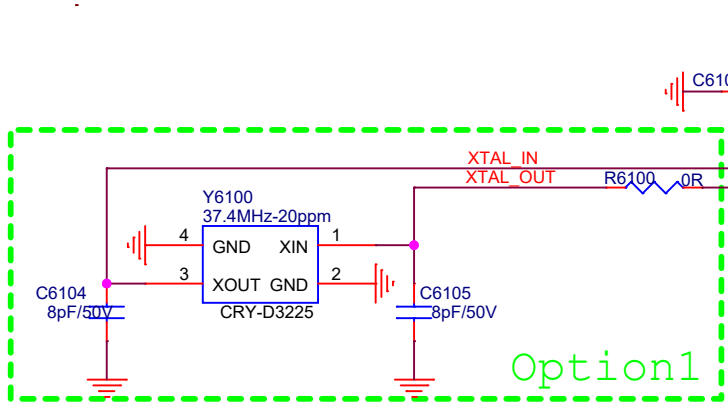




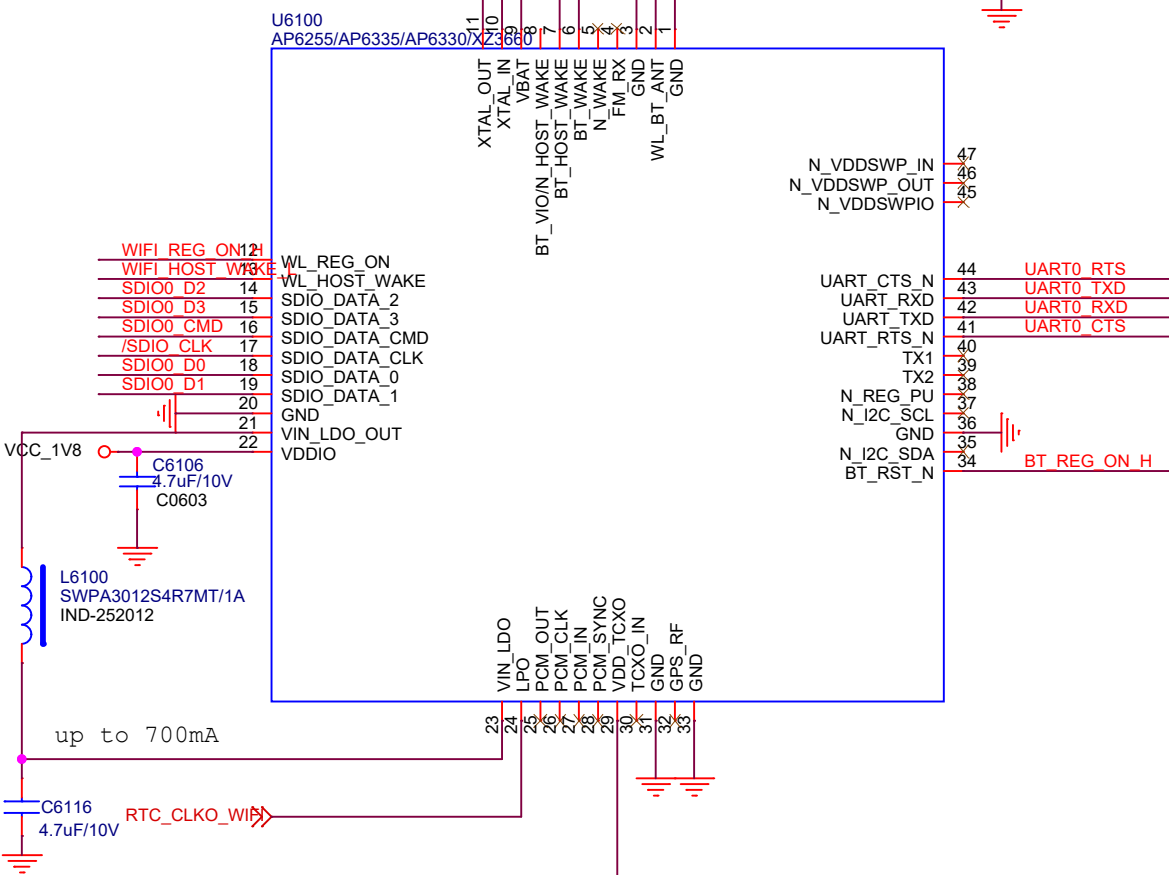
[9]	EMMC_D0	eMMC D0
[9]	EMMC_D1	eMMC D1
[9]	EMMC_D2	eMMC D2
[9]	EMMC_D3	eMMC D3
[9]	EMMC_D4	eMMC D4
[9]	EMMC_D5	eMMC D5
[9]	EMMC_D6	eMMC D6
[9]	EMMC_D7	eMMC D7
[9]	EMMC_CMD	eMMC CMD
[9]	EMMC_CLKO	eMMC CLK
[9]	EMMC_STRB	eMMC DQS



eMMC V5.1  
eMMC NC PIN FOR ALLEGRO

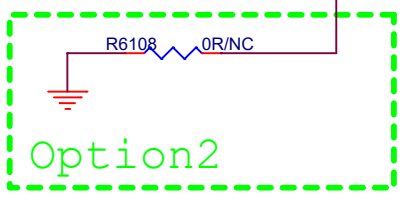
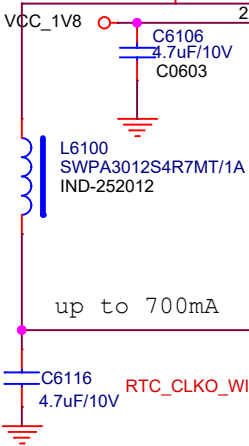


SDIO0_D0	[14]
SDIO0_D1	[14]
SDIO0_D2	[14]
SDIO0_D3	[14]
SDIO0_CMD	[14]
SDIO0_CLK	[14]
UART0_RTS	[14]
UART0_TXD	[14]
UART0_RXD	[14]
UART0_CTS	[14]
BT_HOST_WAKE_L	[7]
BT_WAKE_L	[14]
BT_REG_ON_H	[7]
WIFI_REG_ON_H	[7]
WIFI_HOST_WAKE_L	[7]
RTC_CLKO_WIFI	[17,22]



WIFI_REG_ON	12
WIFI_HOST_WAKE_L	13
SDIO0_D2	14
SDIO0_D3	15
SDIO0_CMD	16
/SDIO_CLK	17
SDIO0_D0	18
SDIO0_D1	19
GND	20
VIN_LDO_OUT	21
VDDIO	22

N_VDDSWP_IN	47
N_VDDSWP_OUT	46
N_VDDSWPIO	45
UART_CTS_N	44
UART_RXD	43
UART_TXD	42
UART_RTS_N	41
TX1	40
TX2	39
N_REG_PU	38
N_I2C_SCL	37
GND	36
N_I2C_SDA	35
BT_RST_N	34

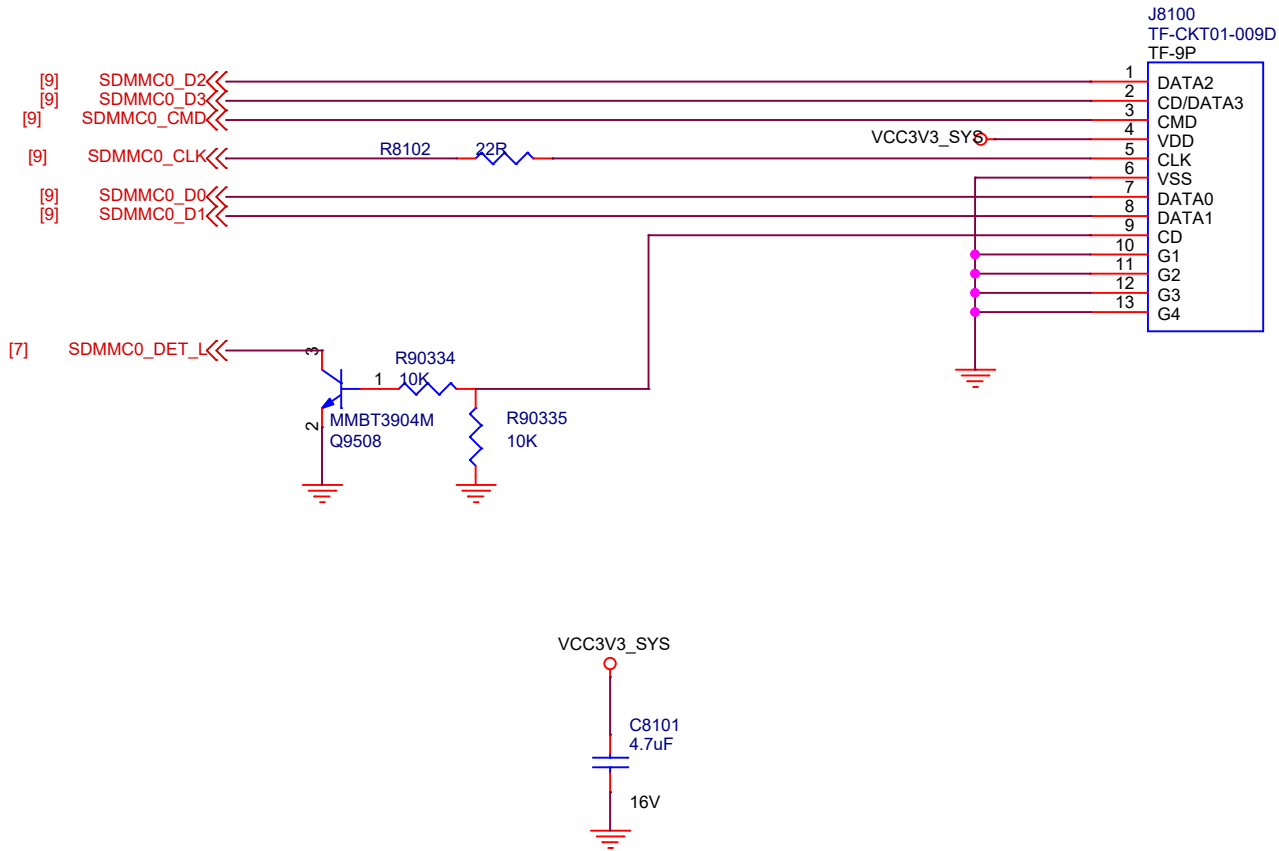


/SDIO\_CLK R6306 33R 5% R0402 SDIO0\_CLK

radxa

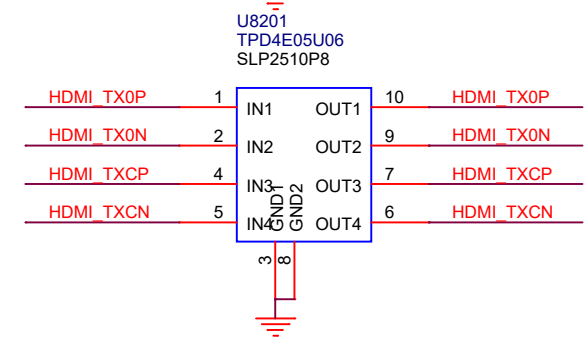
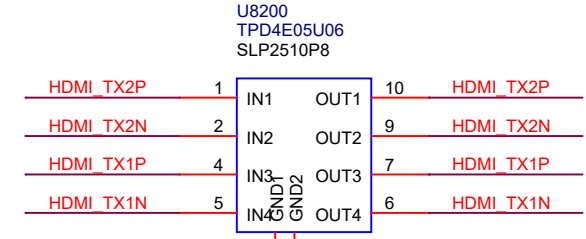
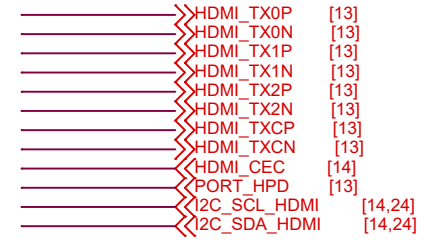
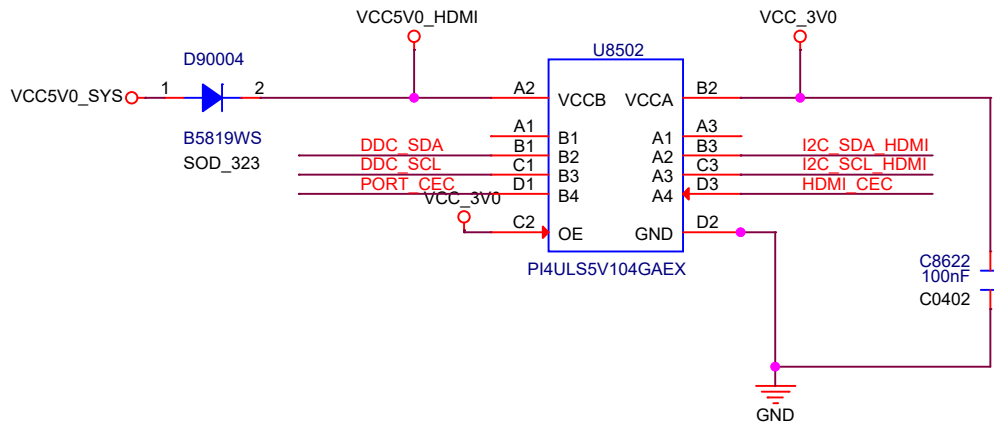
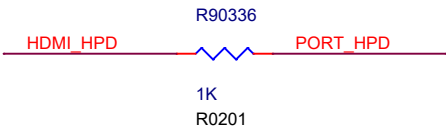
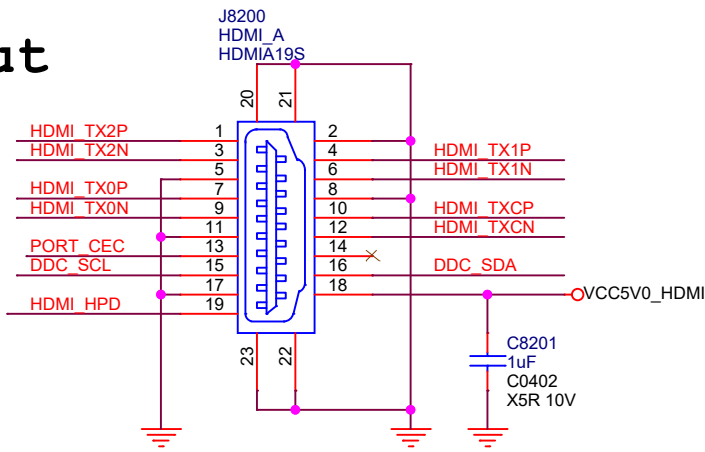
Size	Title: Radxa ROCK 4B+	REV
A4	Page Name: WIFI/BT/MIMO-AP6354	1.73
Date: Wednesday, October 11, 2023	Sheet 22	of 24


# TF CARD



Size	Title: Radxa ROCK 4B+	REV
A4	Page Name: TF Card	1.73
Date: Wednesday, October 11, 2023	Sheet 23 of 24	

# HDMI Output





Size	Title: Radxa ROCK 4B+	REV
A4	Page Name: HDMI Output	1.73
Date: Wednesday, October 11, 2023	Sheet 24 of 24	