



Radxa ROCK 4B+ schematic

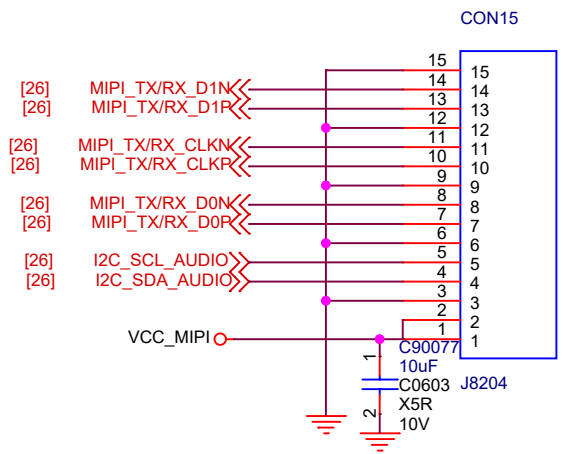
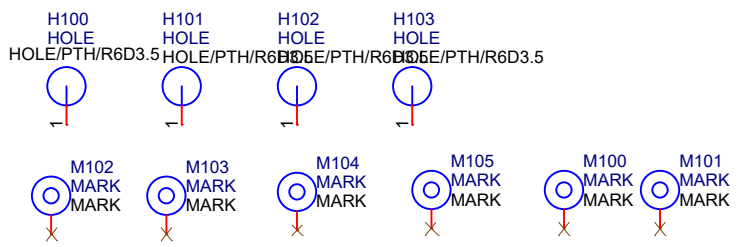
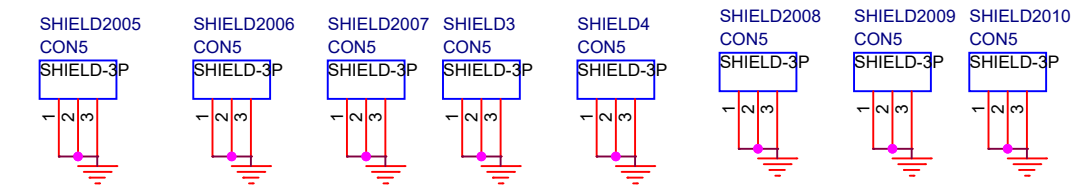
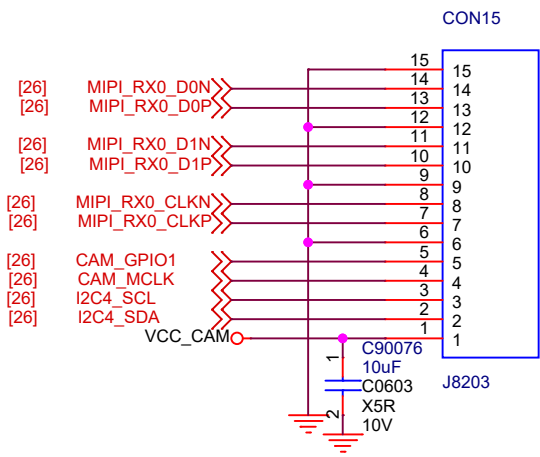
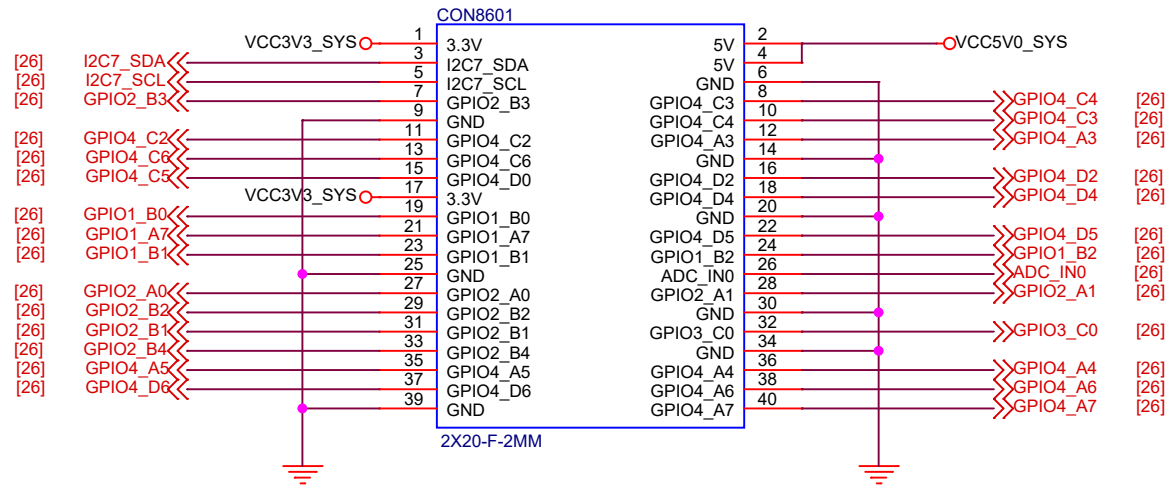
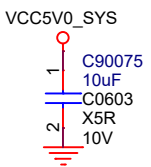
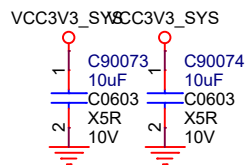
V1.6

CONTENT INDEXING

- 01.Cover
- 02.Content
- 03.CONNECTOR
- 04.ES8316
- 05.PCIE NGFF/M.2
- 06.RK3399 Power
- 07.RK3399 PMU Controler
- 08.RK3399 DDR Controler
- 09.RK3399 Flash&SDMMC Controler
- 10.RK3399 USB/USIC Controler
- 11.RK3399 SARADC/Key
- 12.RK3399 DVP Interface
- 13.RK3399 Display Interface
- 14.RK3399 GPIO
- 15.RK3399 PCIE
- 16.Power-DC IN
- 17.Power-PMIC RK808-D
- 18.RTL8211E
- 19.USB OTG/HOST Port
- 20.RAM-LPDDR3(178P)
- 21.Memory-eMMC
- 22.WIFI/BTMIMO-AP6354
- 23.TF Card
- 24.HDMI Output

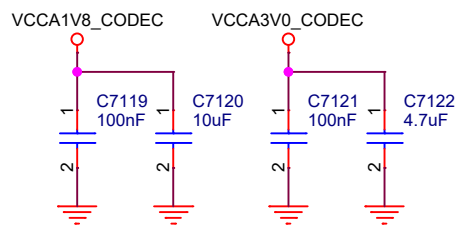
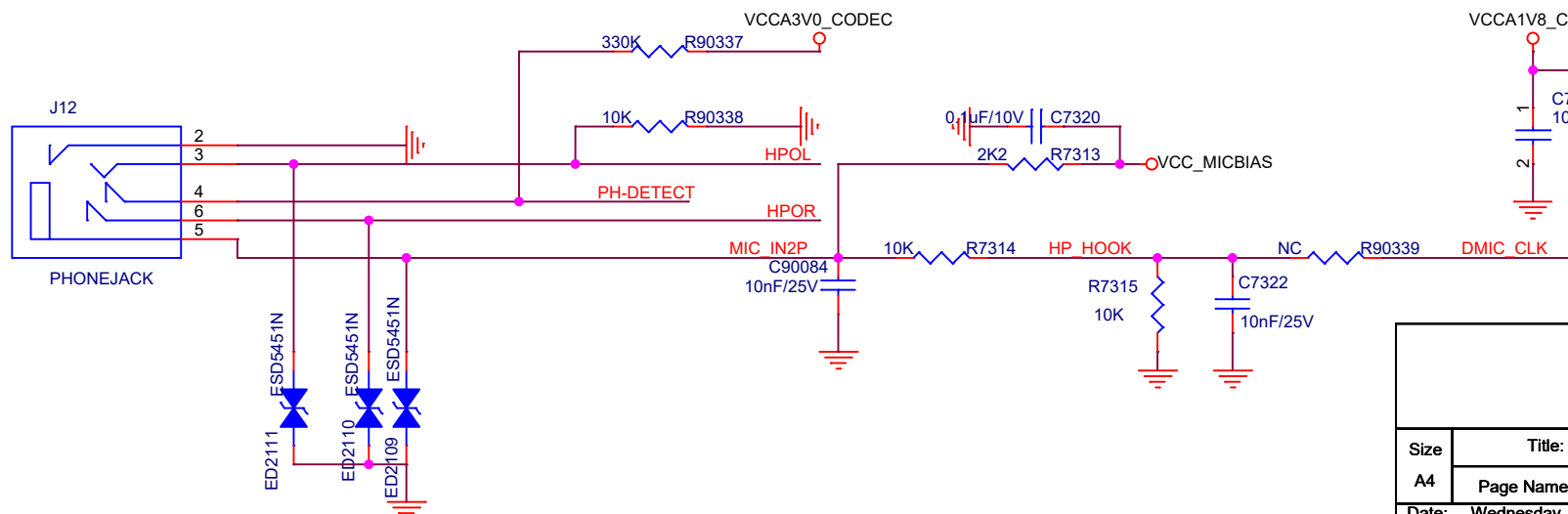
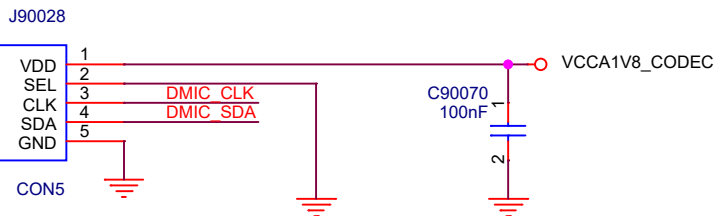
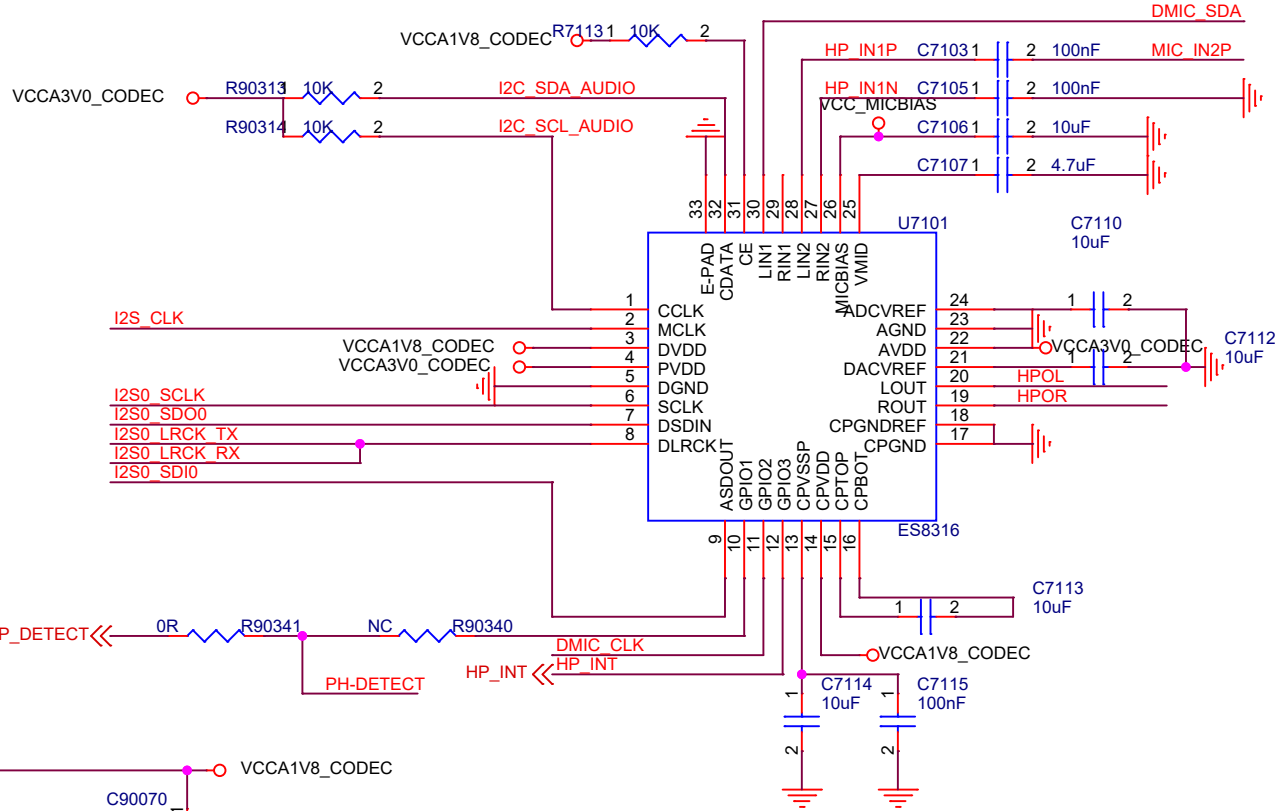


Size	Title: Radxa ROCK 4B+	REV
A4	Page Name: Content	1.6
Date: Wednesday, October 11, 2023	Sheet 2	of 24

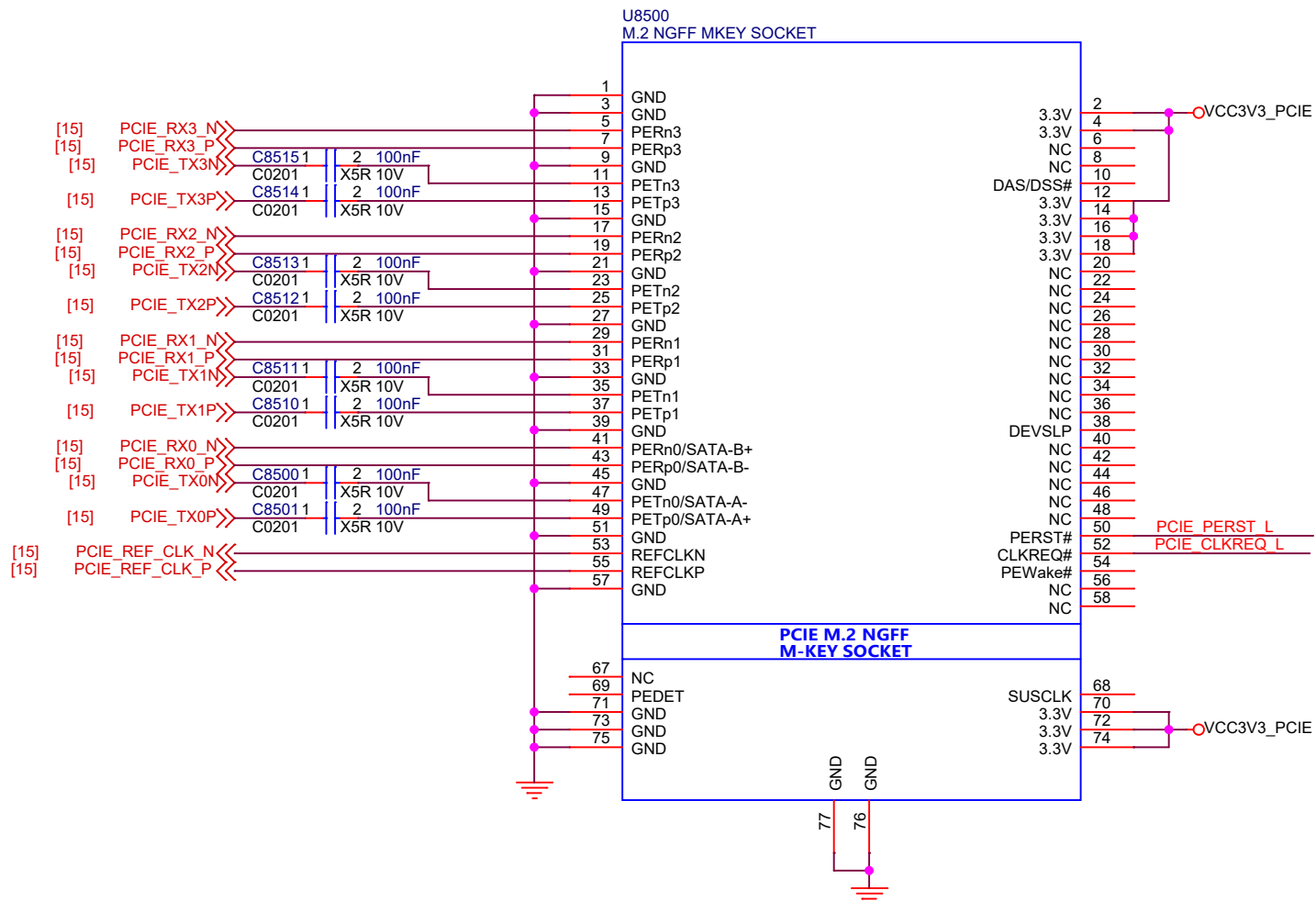


Size	Title: Radxa ROCK 4B+	REV
A4	Page Name: CONNECTOR	1.6
Date:	Wednesday, October 11, 2023	Sheet 3 of 24

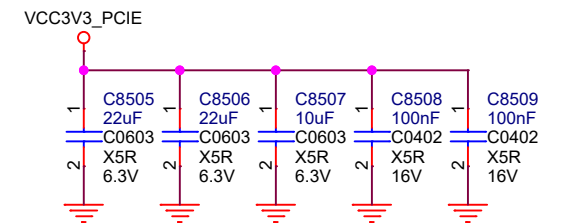
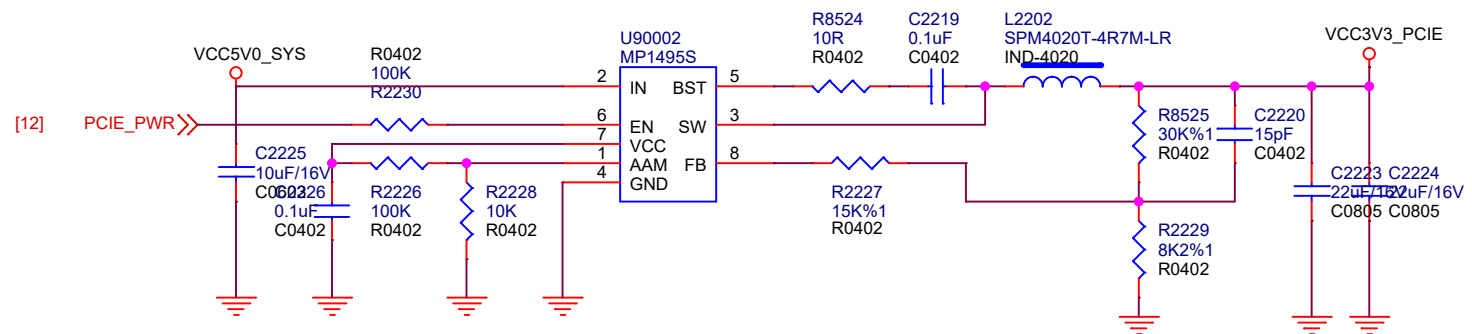
I2C_SCL_AUDIO
 I2C_SDA_AUDIO
 HP_HOOK
 I2S_CLK
 I2S0_SCLK
 I2S0_LRCK_RX
 I2S0_LRCK_TX
 I2S0_SDIO
 I2S0_SDO0




Size	Title: Radxa ROCK 4B+	REV
A4	Page Name: ES8316	1.6
Date: Wednesday, October 11, 2023	Sheet 4 of 24	

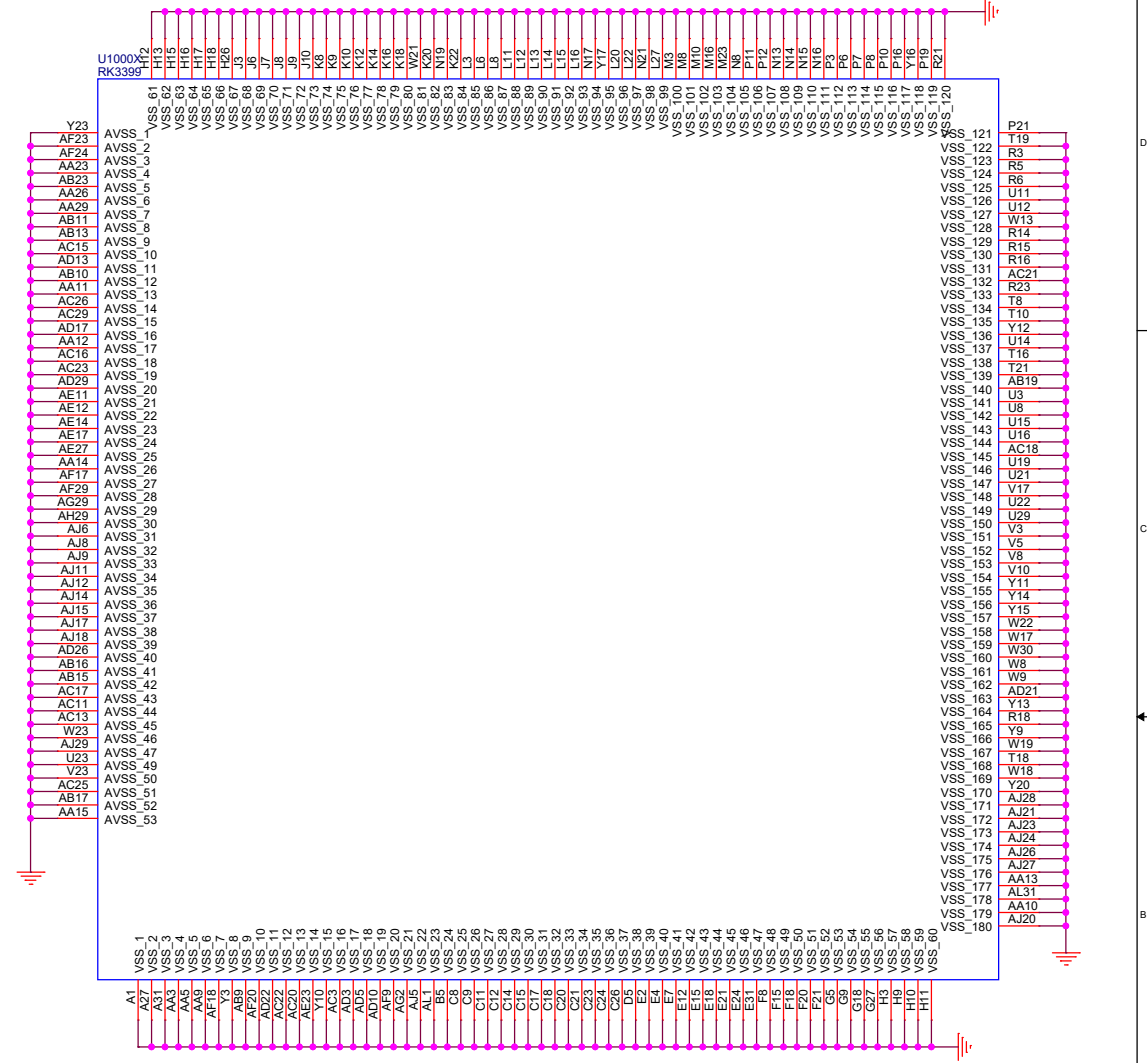
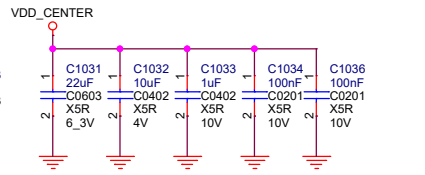
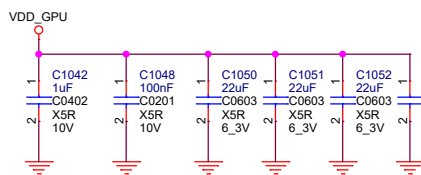
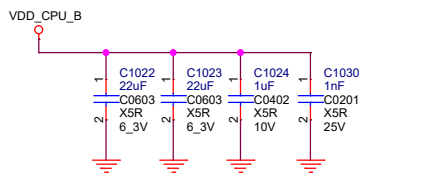
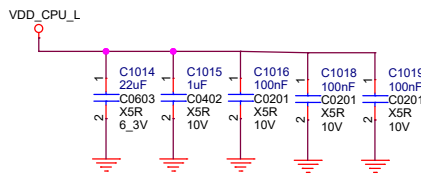
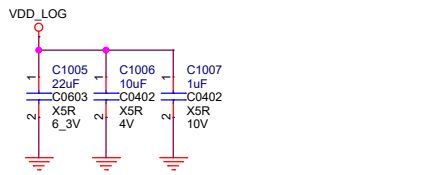
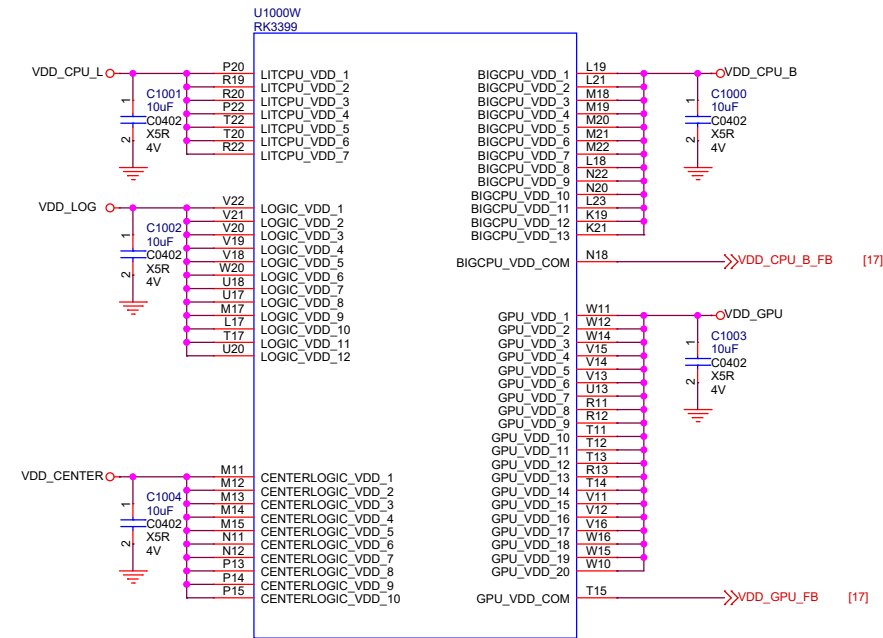


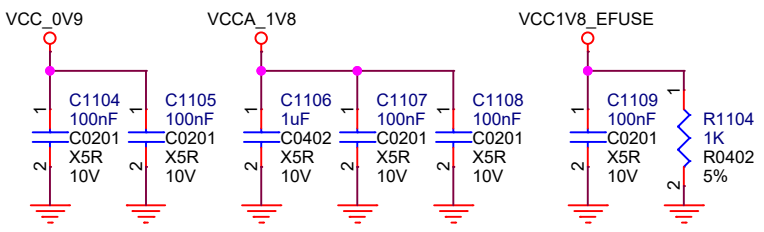
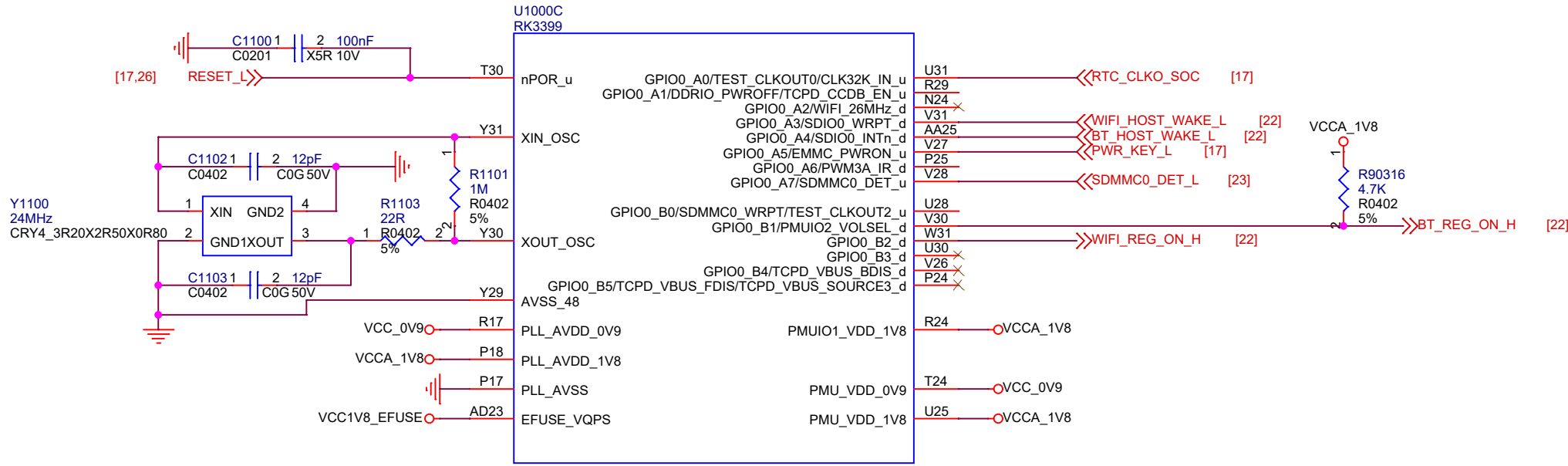
[12] PCIE_PERST_L
[14] PCIE_CLKREQ_L



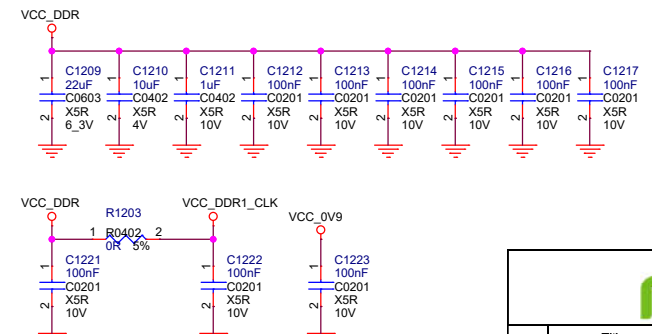
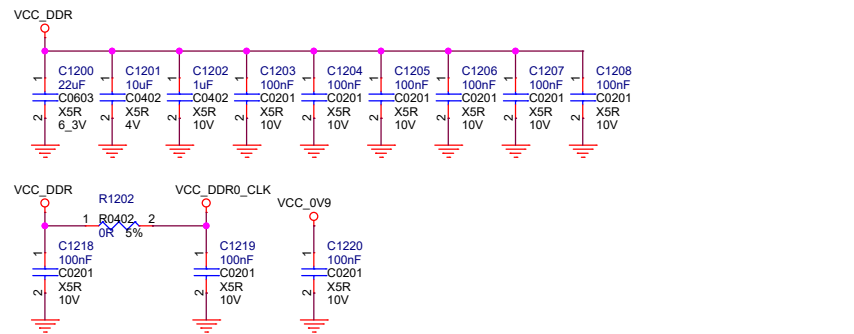
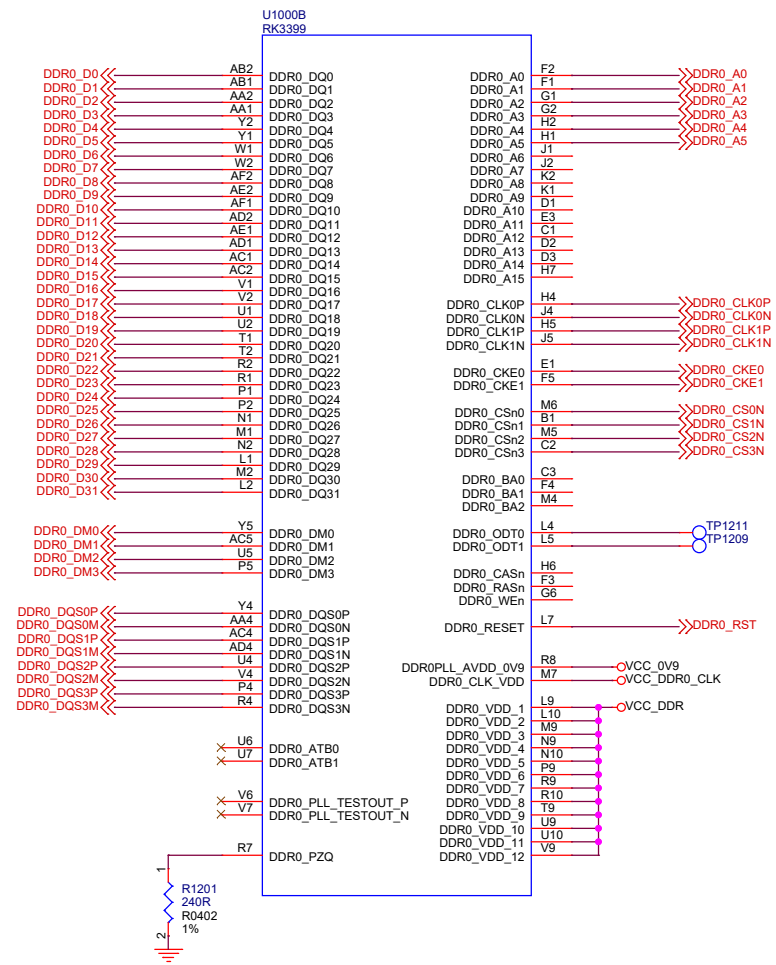
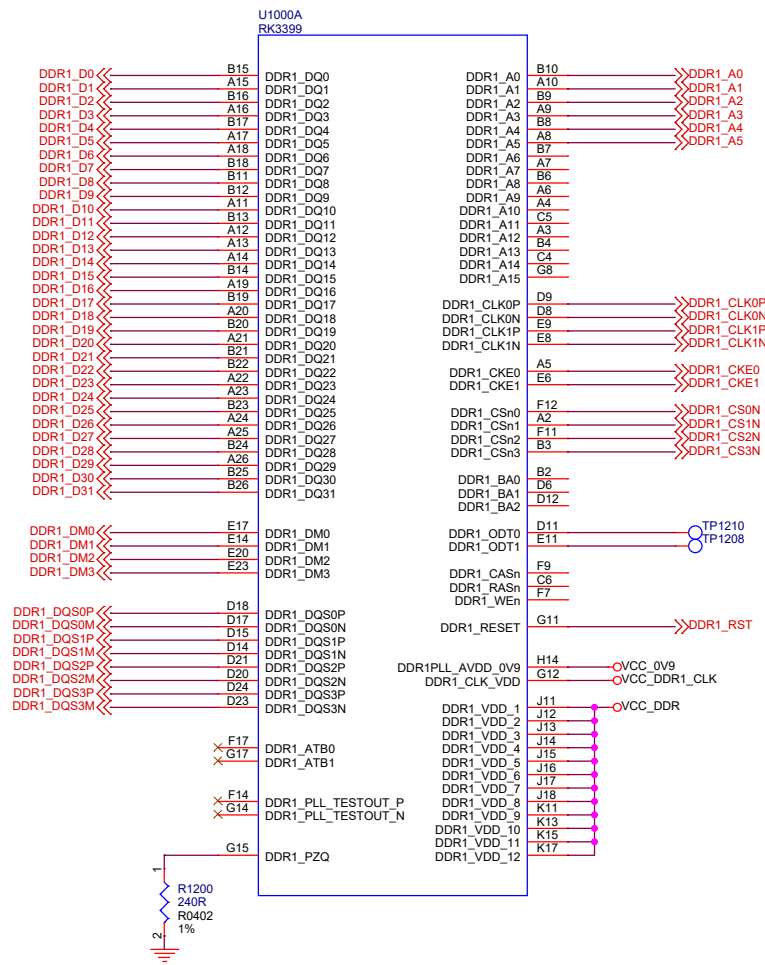


Size	Title: Radxa ROCK 4B+	REV
A4	Page Name: PCIe NGFF/M.2	1.6
Date: Wednesday, October 11, 2023 Sheet 5 of 24		





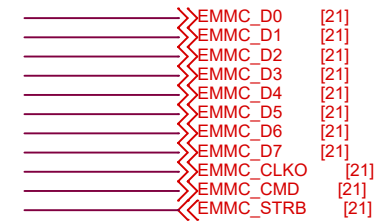
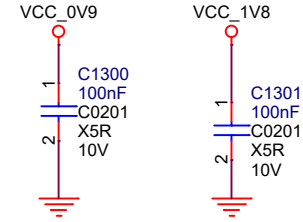
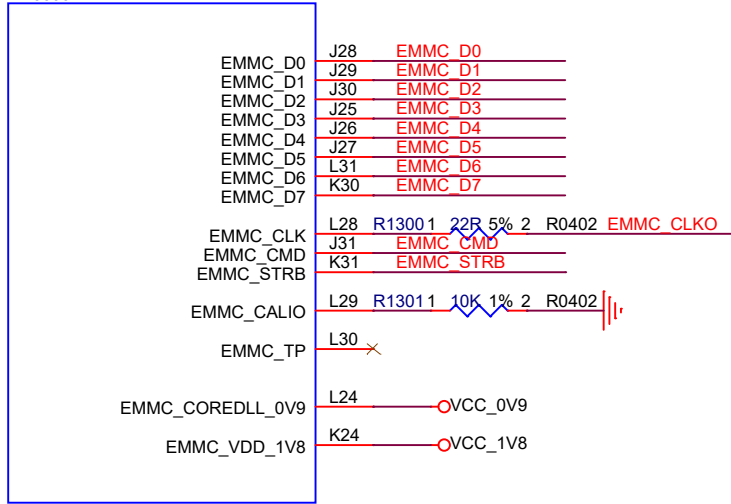
Size	Title: Radxa ROCK 4B+	REV
A4	Page Name: RK3399 PMU Controller	1.6
Date: Wednesday, October 11, 2023	Sheet 7 of 24	



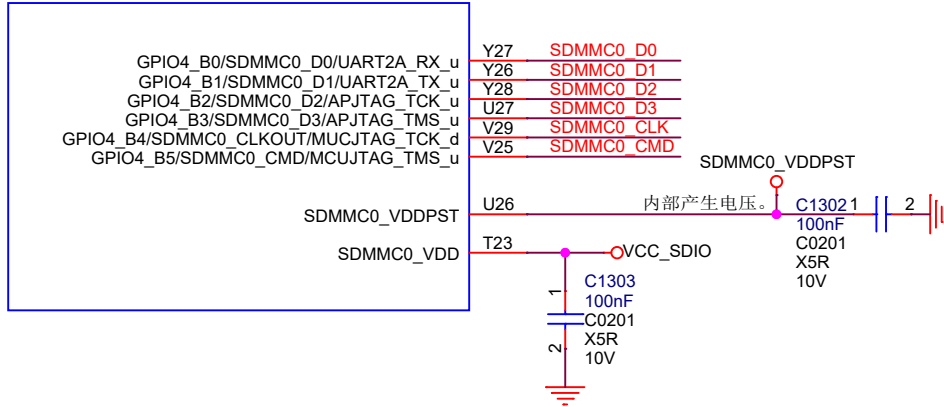
radxa

Size	Title: Radxa ROCK 4B+	REV
A3	Page Name: RK3399 DDR Controller	1.6
Date: Wednesday, October 11, 2023	Sheet 8 of 24	

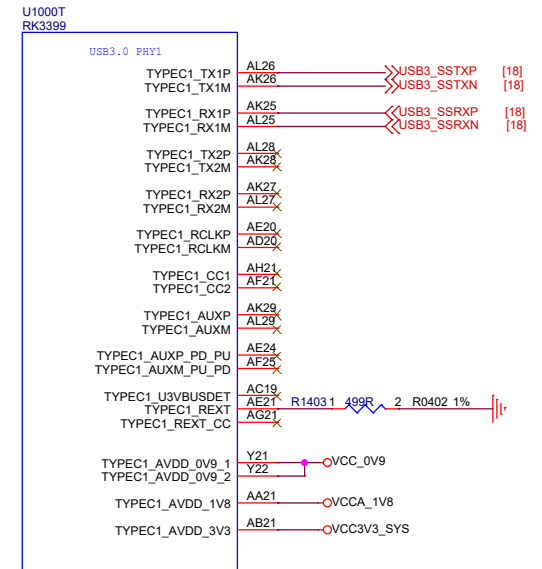
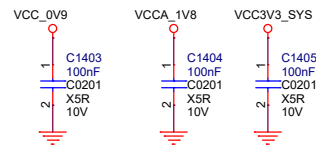
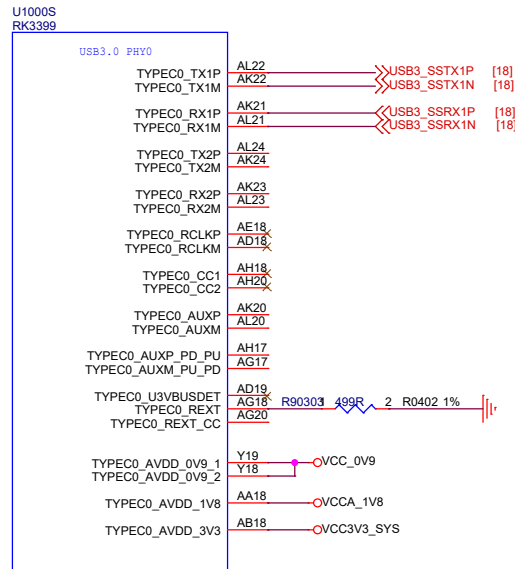
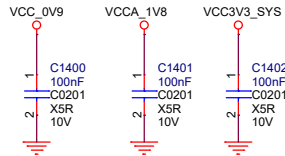
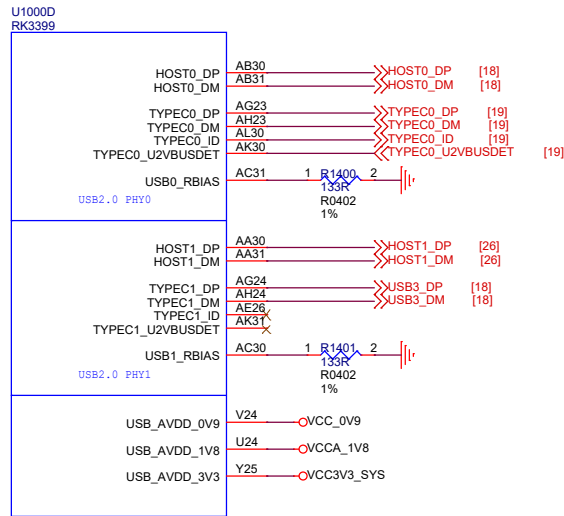
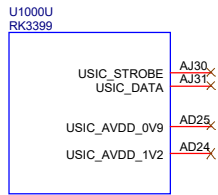
U1000H
RK3399



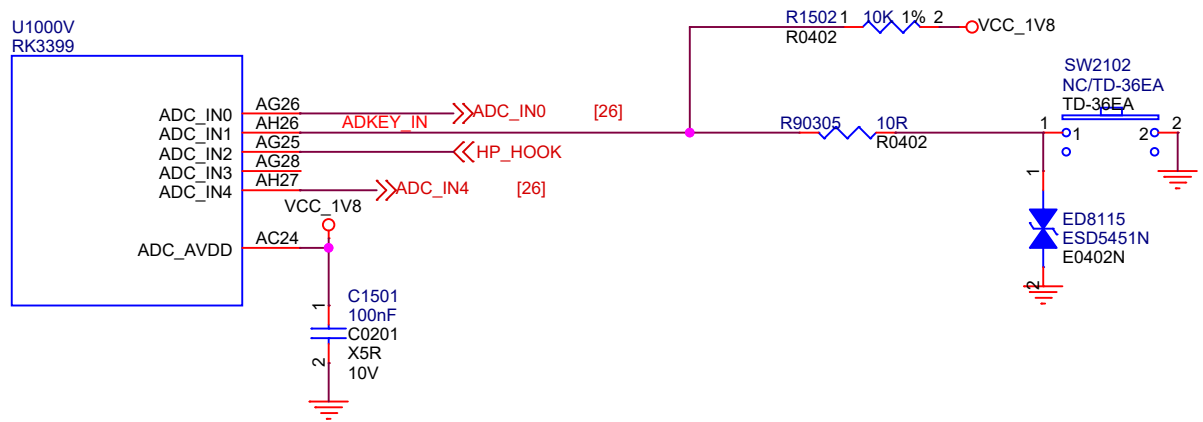
U1000F
RK3399



Size	Title: Radxa ROCK 4B+	REV
A4	Page Name: RK3399 Flash&SDMMC Controler	1.6
Date: Wednesday, October 11, 2023	Sheet 9 of 24	



KEY BAORD

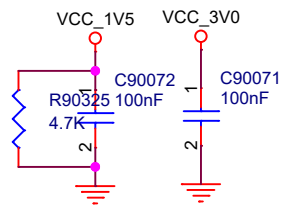
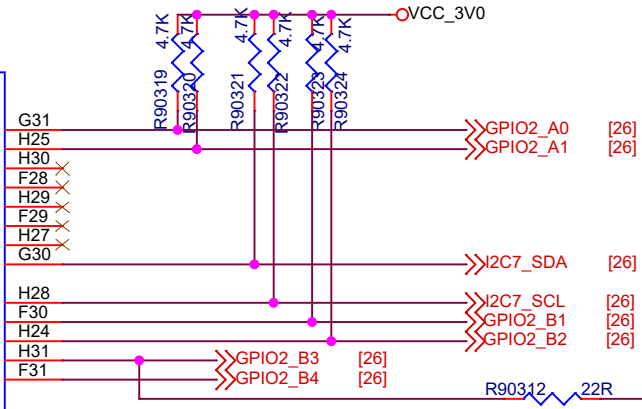


Size	Title: Radxa ROCK 4B+	REV
A4	Page Name: RK3399 SARADC/Key	1.6
Date: Wednesday, October 11, 2023	Sheet 11 of 24	

U1000L
RK3399

GPIO2_A0/VOP_D0/CIF_D0/I2C2_SDA_u G31
 GPIO2_A1/VOP_D1/CIF_D1/I2C2_SCL_u H25
 GPIO2_A2/VOP_D2/CIF_D2_d F28
 GPIO2_A3/VOP_D3/CIF_D3_d H29
 GPIO2_A4/VOP_D4/CIF_D4_d F29
 GPIO2_A5/VOP_D5/CIF_D5_d H27
 GPIO2_A6/VOP_D6/CIF_D6_d G30
 GPIO2_A7/VOP_D7/CIF_D7/I2C7_SDA_u H28
 GPIO2_B0/VOP_CLK/CIF_VSYNC/I2C7_SCL_u F30
 GPIO2_B1/SPI2_RXD/CIF_HREF/I2C6_SDA_u H24
 GPIO2_B2/SPI2_TXD/CIF_CLKIN/I2C6_SCL_u H31
 GPIO2_B3/SPI2_CLK/VOP_DEN/CIF_CLKOUTA_u F31
 GPIO2_B4/SPI2_CSn0_u

APIO2_VDDPST J24 VCC_1V5
 APPIO2_VDD K23 VCC_3V0



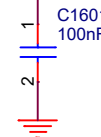
U1000R
RK3399

MIPI_RX0_D0P AK15
 MIPI_RX0_D0N AL15
 MIPI_RX0_D1P AK14
 MIPI_RX0_D1N AL14
 MIPI_RX0_CLKP AK13
 MIPI_RX0_CLKN AL13
 MIPI_RX0_D2P AK12
 MIPI_RX0_D2N AL12
 MIPI_RX0_D3P AK11
 MIPI_RX0_D3N AL11
 MIPI_RX0_REXT AF14
 MIPI_RX0_AVDD_1V8 AB14



U1000P
RK3399

MIPI_TX1/RX1_D0P AK6
 MIPI_TX1/RX1_D0N AL6
 MIPI_TX1/RX1_D1P AK7
 MIPI_TX1/RX1_D1N AL7
 MIPI_TX1/RX1_CLKP AK8
 MIPI_TX1/RX1_CLKN AL8
 MIPI_TX1/RX1_D2P AK9
 MIPI_TX1/RX1_D2N AL9
 MIPI_TX1/RX1_D3P AK10
 MIPI_TX1/RX1_D3N AL10
 MIPI_TX1/RX1_REXT AF11
 MIPI_TX1/RX1_AVDD_1V8 AC10

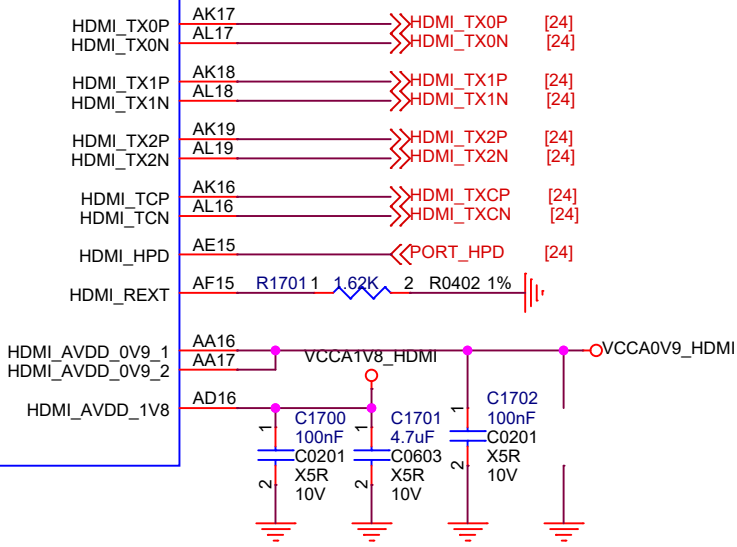


Dual
MIPI
Right

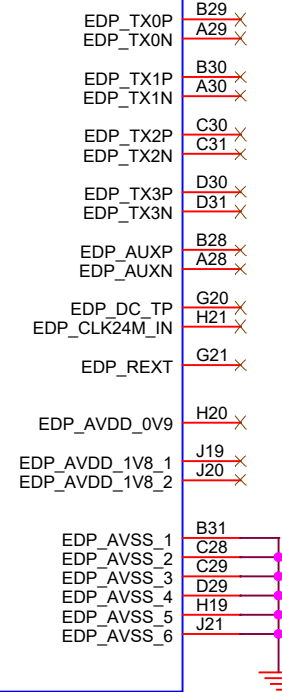


Size	Title: Radxa ROCK 4B+	REV
A4	Page Name: RK3399 DVP Interface	1.6
Date: Wednesday, October 11, 2023	Sheet 12 of 24	

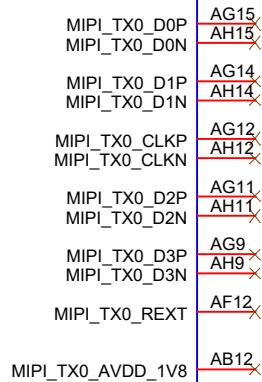
U1000N
RK3399



U1000M
RK3399

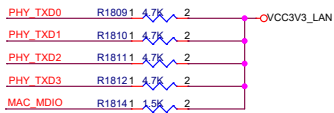
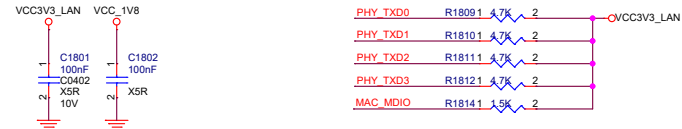
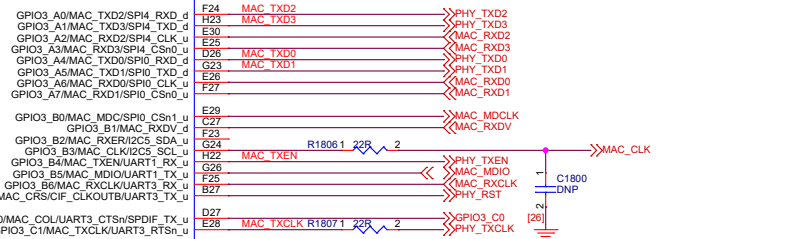


U1000Q
RK3399

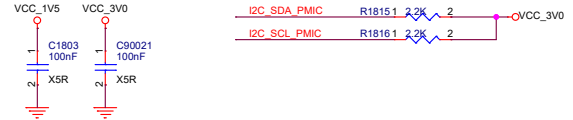
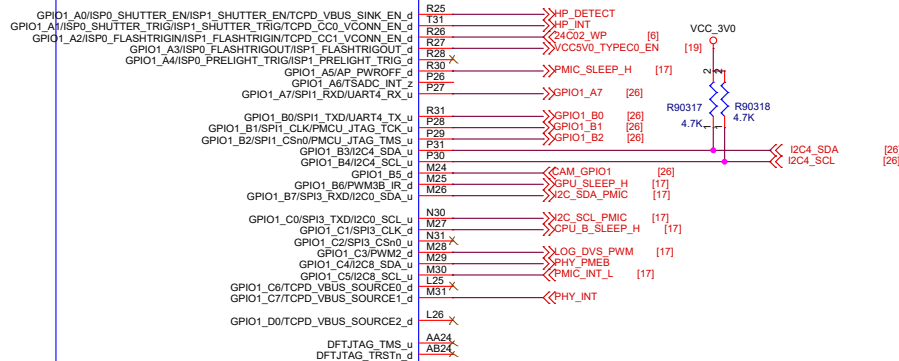


Size	Title: Radxa ROCK 4B+	REV
A4	Page Name: RK3399 Display Interface	1.6
Date: Wednesday, October 11, 2023	Sheet 13 of 24	

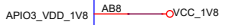
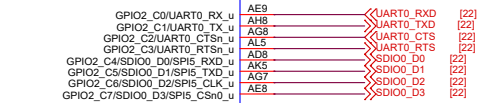
U1000I
RK3399 Note:RK3399 part I is 3.3V only



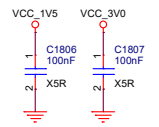
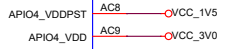
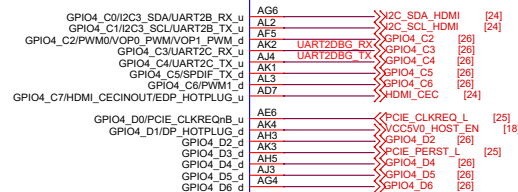
U1000E
RK3399



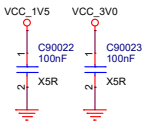
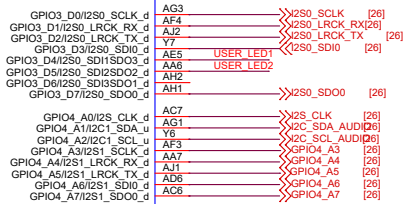
U1000G
RK3399



U1000K
RK3399

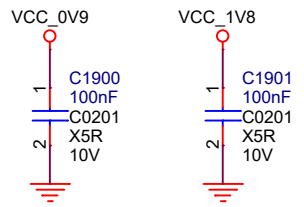
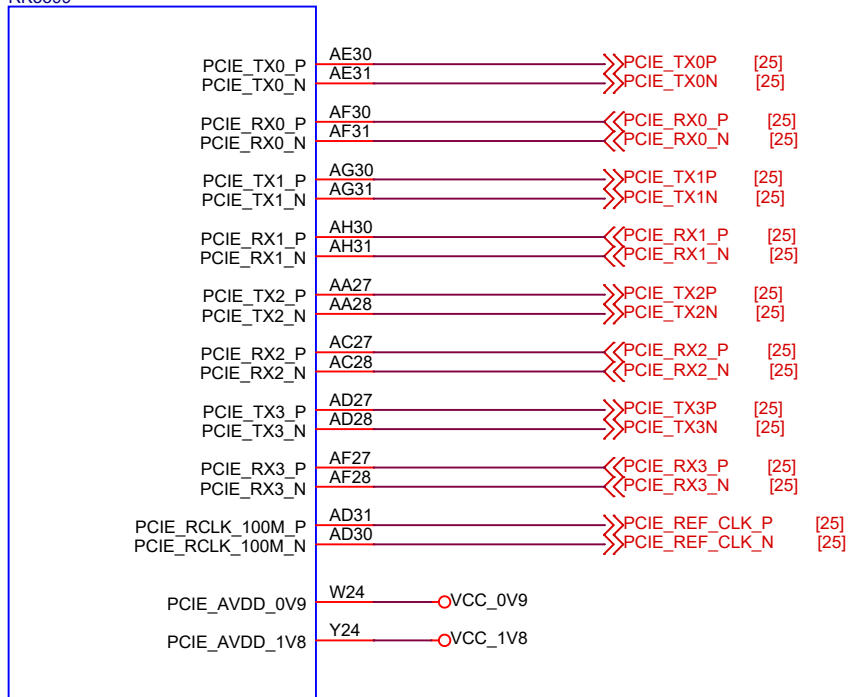



U1000J
RK3399



Size	Title: Radxa ROCK 4B+	REV
Customer Page Name:	RK3399 GPIO	1.6
Date:	Wednesday, October 11, 2023	Sheet 14 of 24

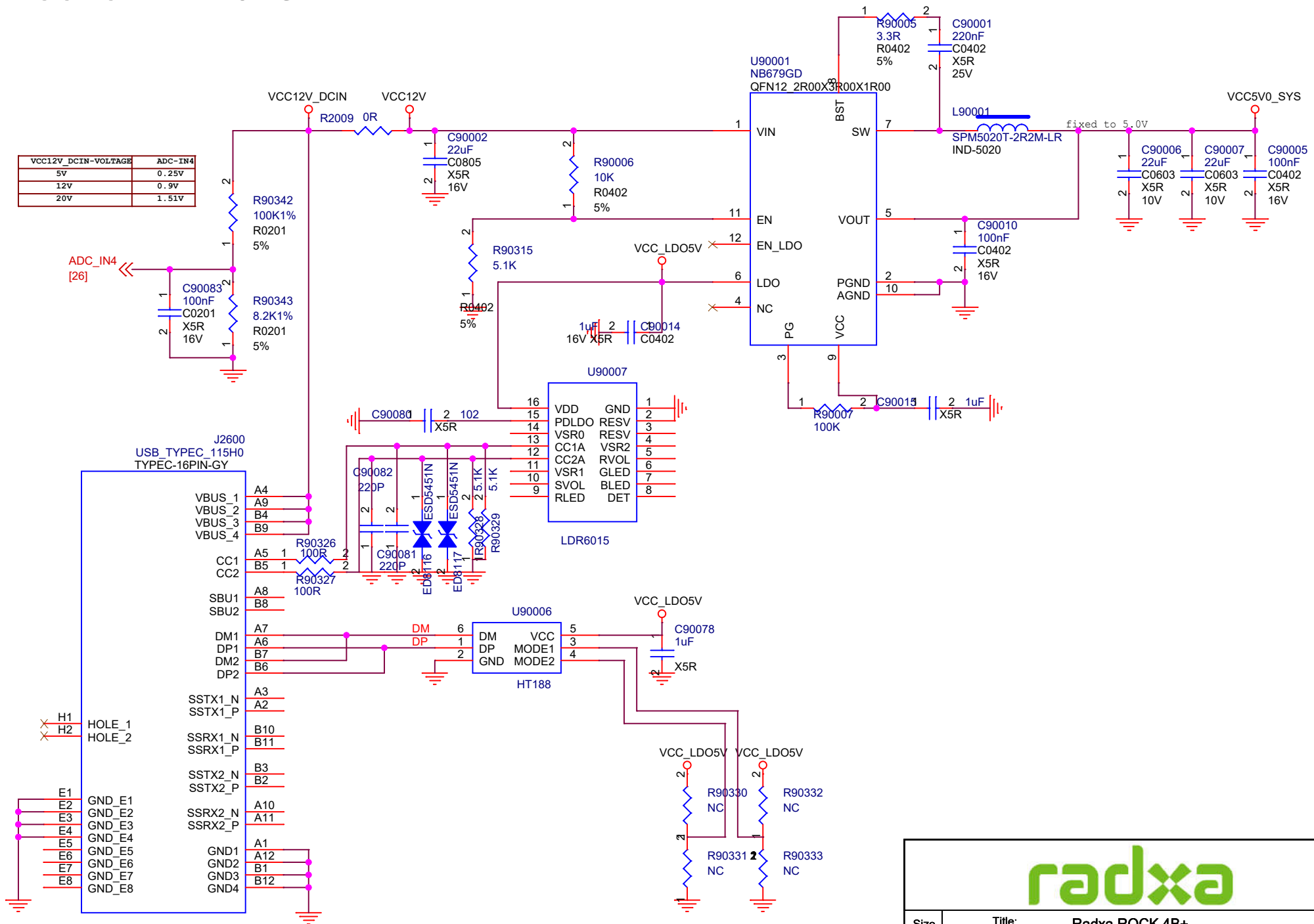
U10000
RK3399





Size	Title: Radxa ROCK 4B+	REV
A4	Page Name: RK3399 PCIE	1.6
Date: Wednesday, October 11, 2023		Sheet 15 of 24

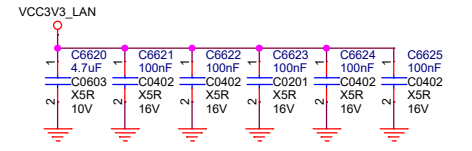
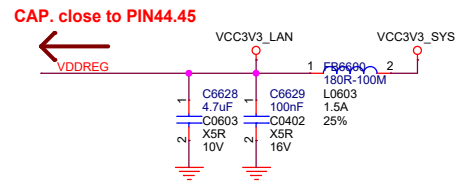
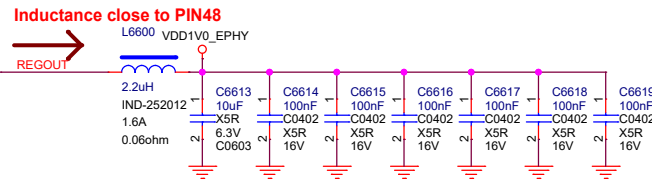
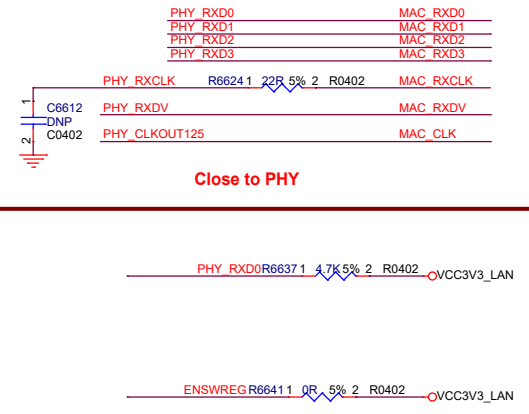
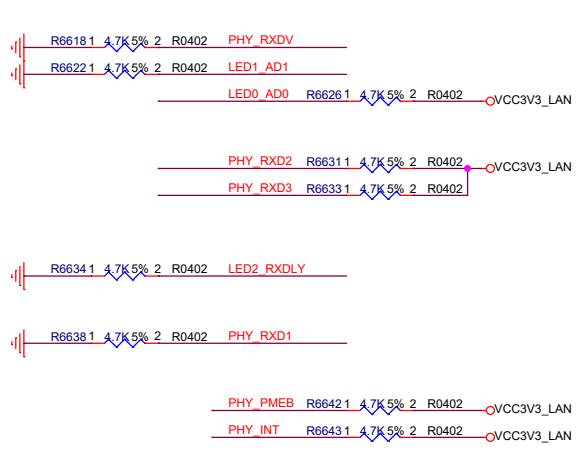
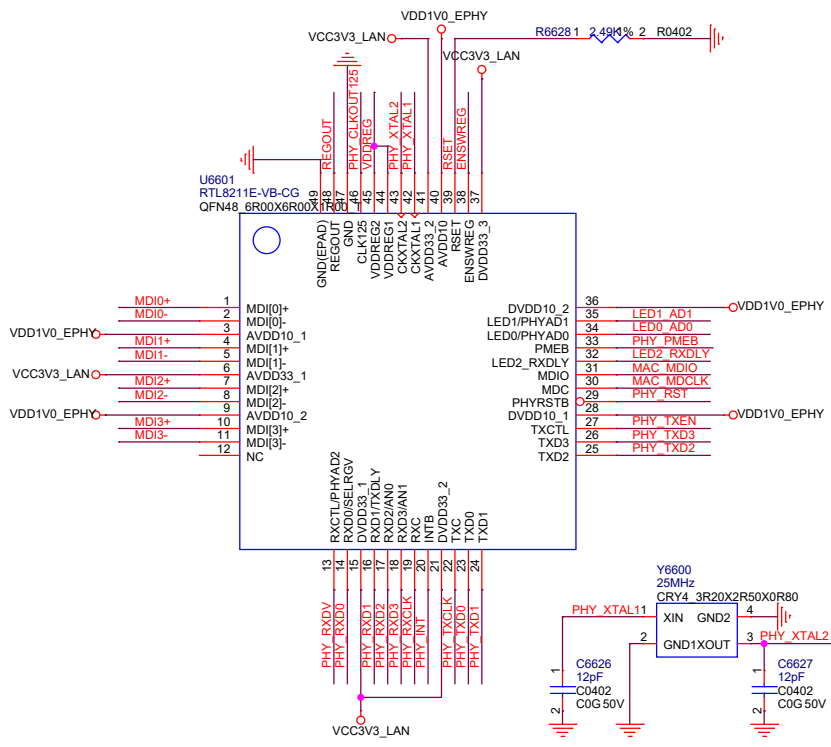
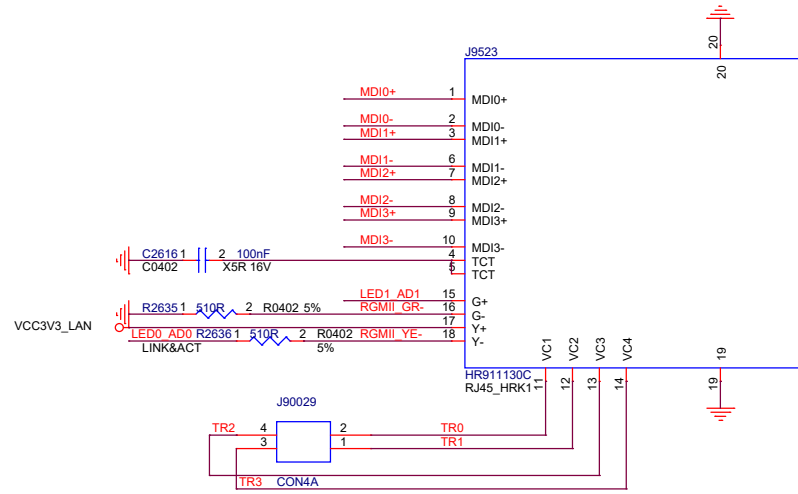
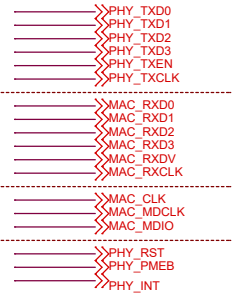
DC IN&SYSTEM Power



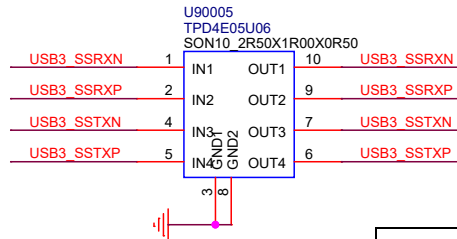
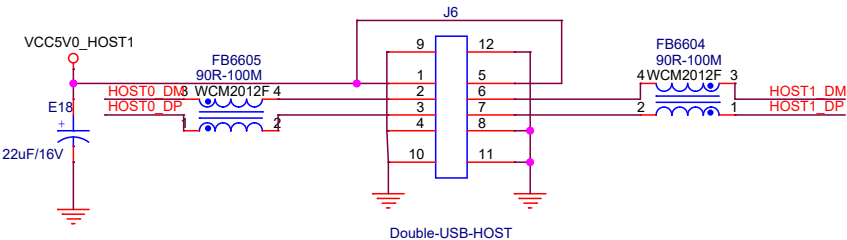
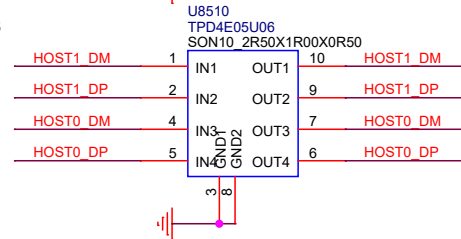
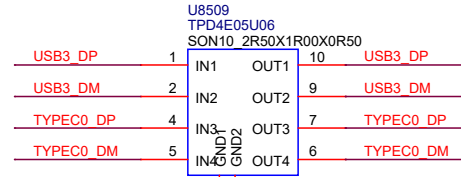
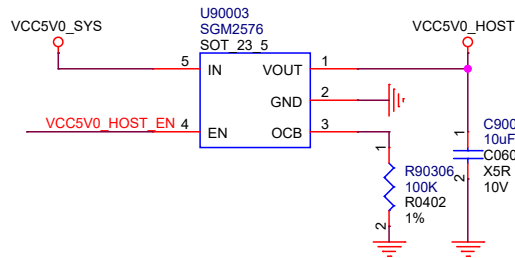
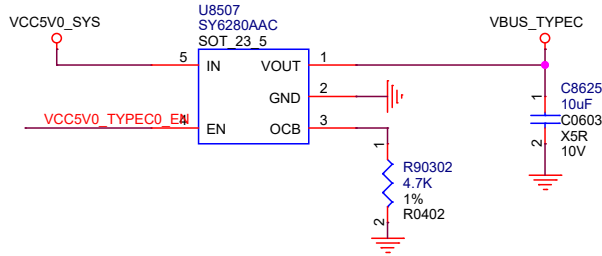
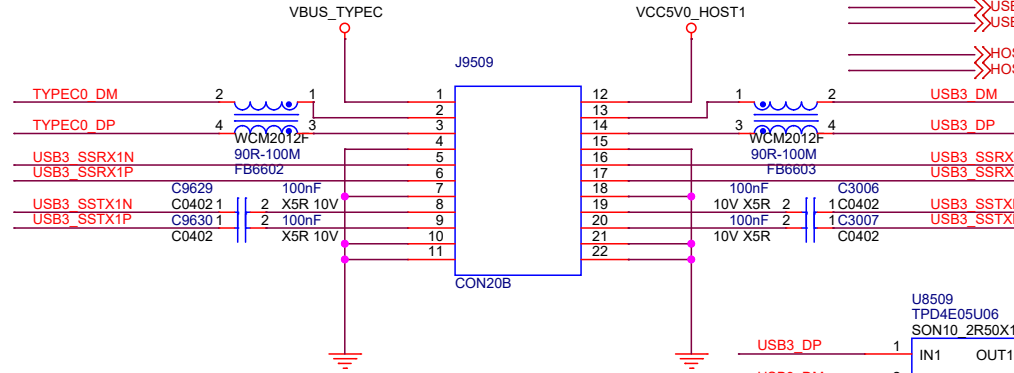
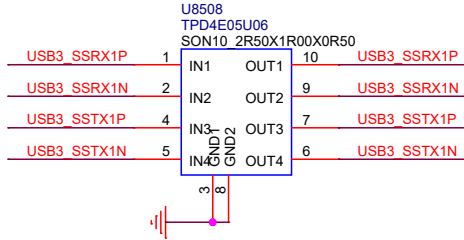
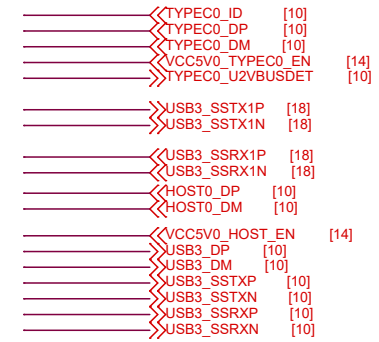
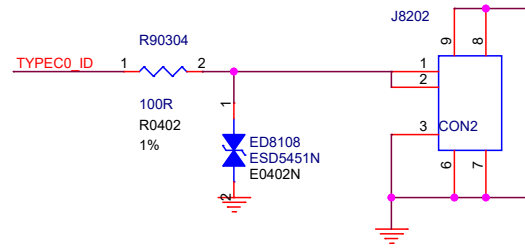
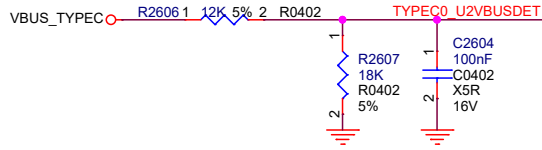
VCC12V_DCIN-VOLTAGE	ADC-IN4
5V	0.25V
12V	0.9V
20V	1.51V



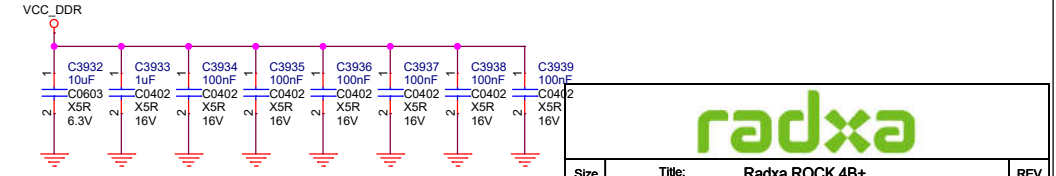
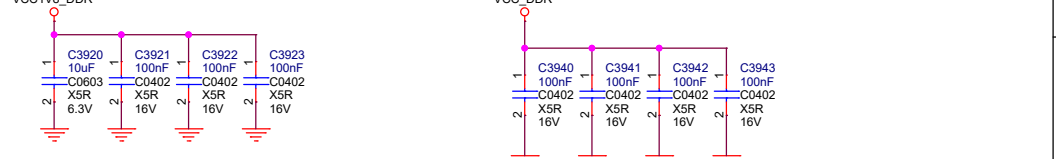
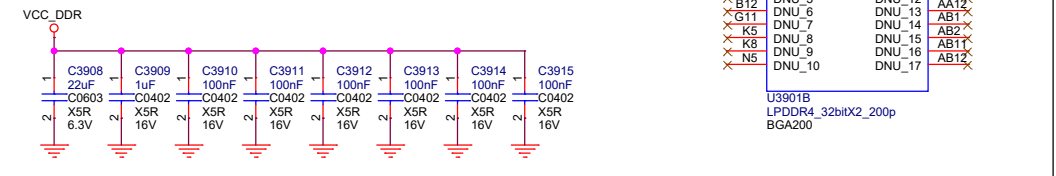
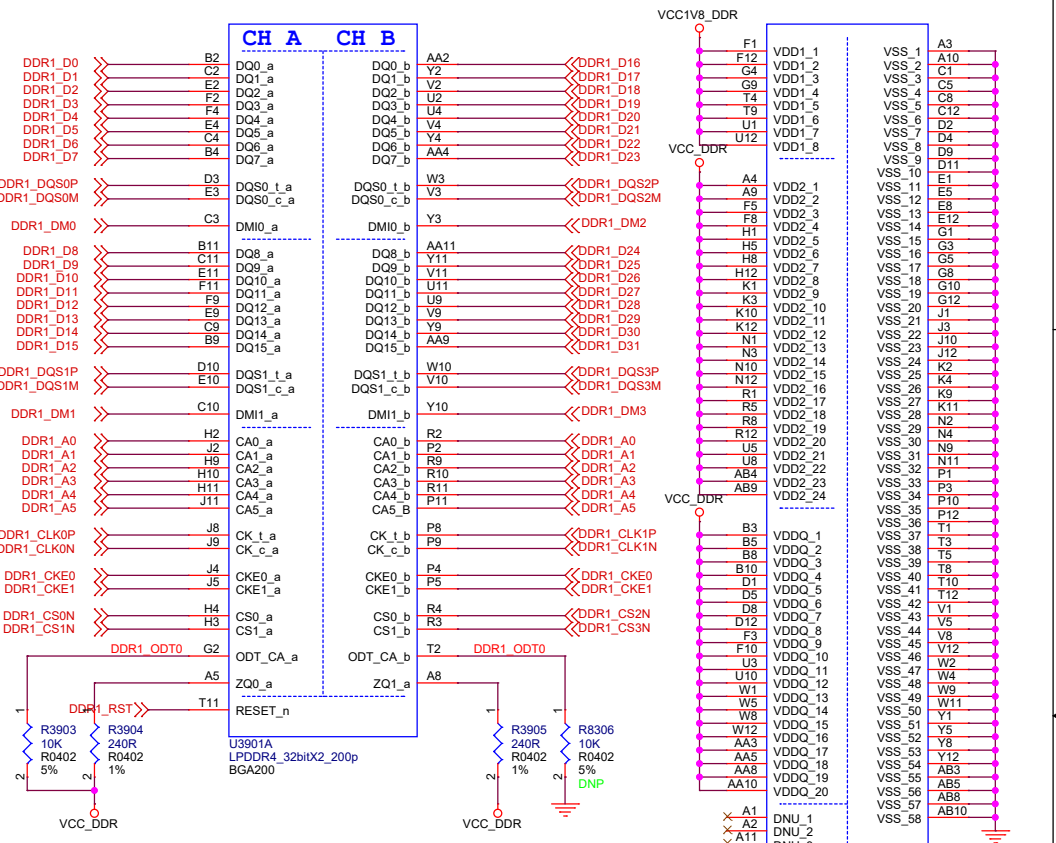
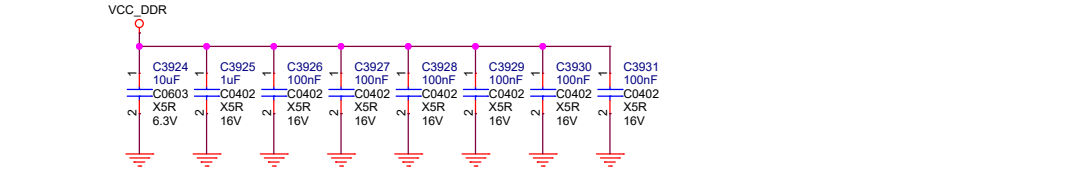
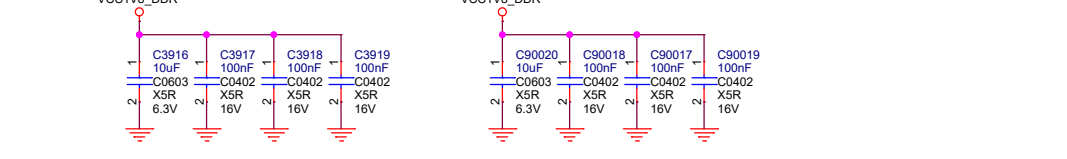
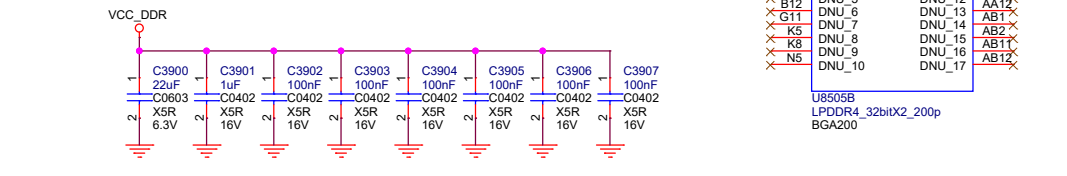
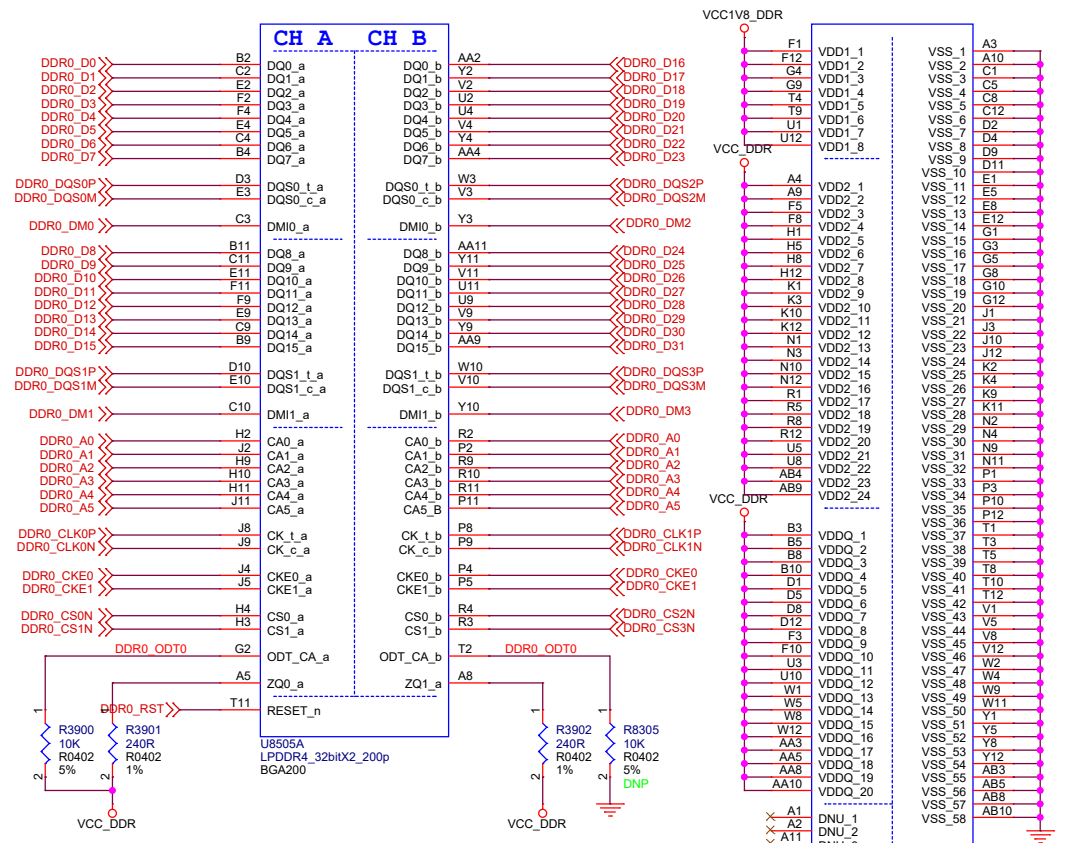
Size	Title: Radxa ROCK 4B+	REV
A4	Page Name: Power-DC IN	1.6
Date: Wednesday, October 11, 2023	Sheet 16 of 24	



USB3.0 OTG port

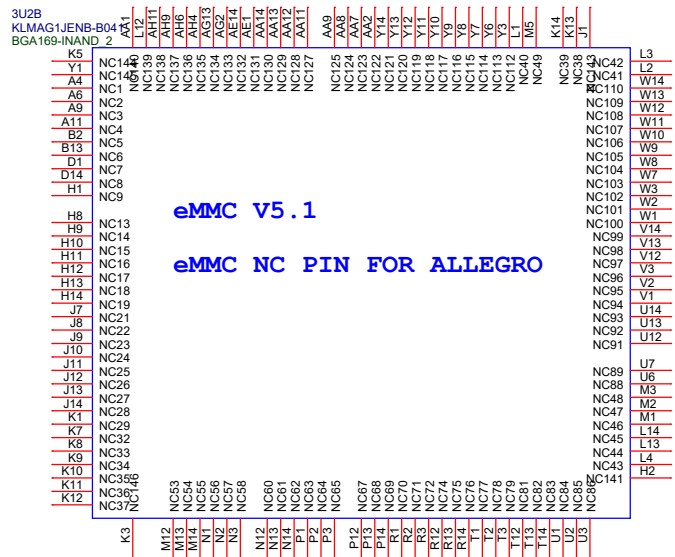
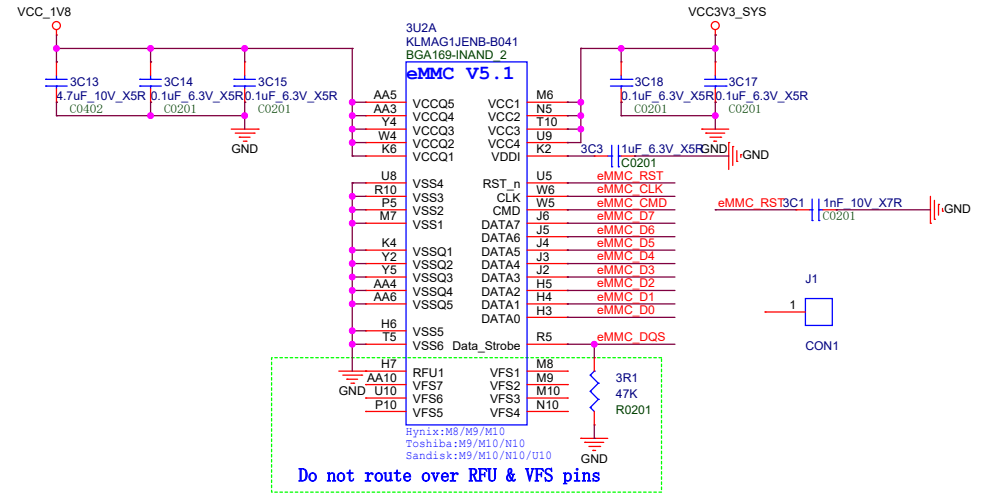
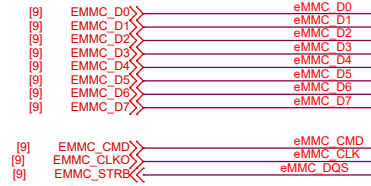
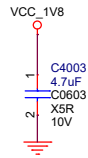
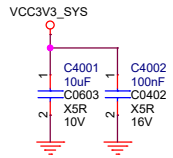
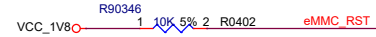


Size	Title: Radxa ROCK 4B+	REV
Custom Page Name:	USB OTG/HOST Port	1.6
Date: Wednesday, October 11, 2023	Sheet 19 of 24	

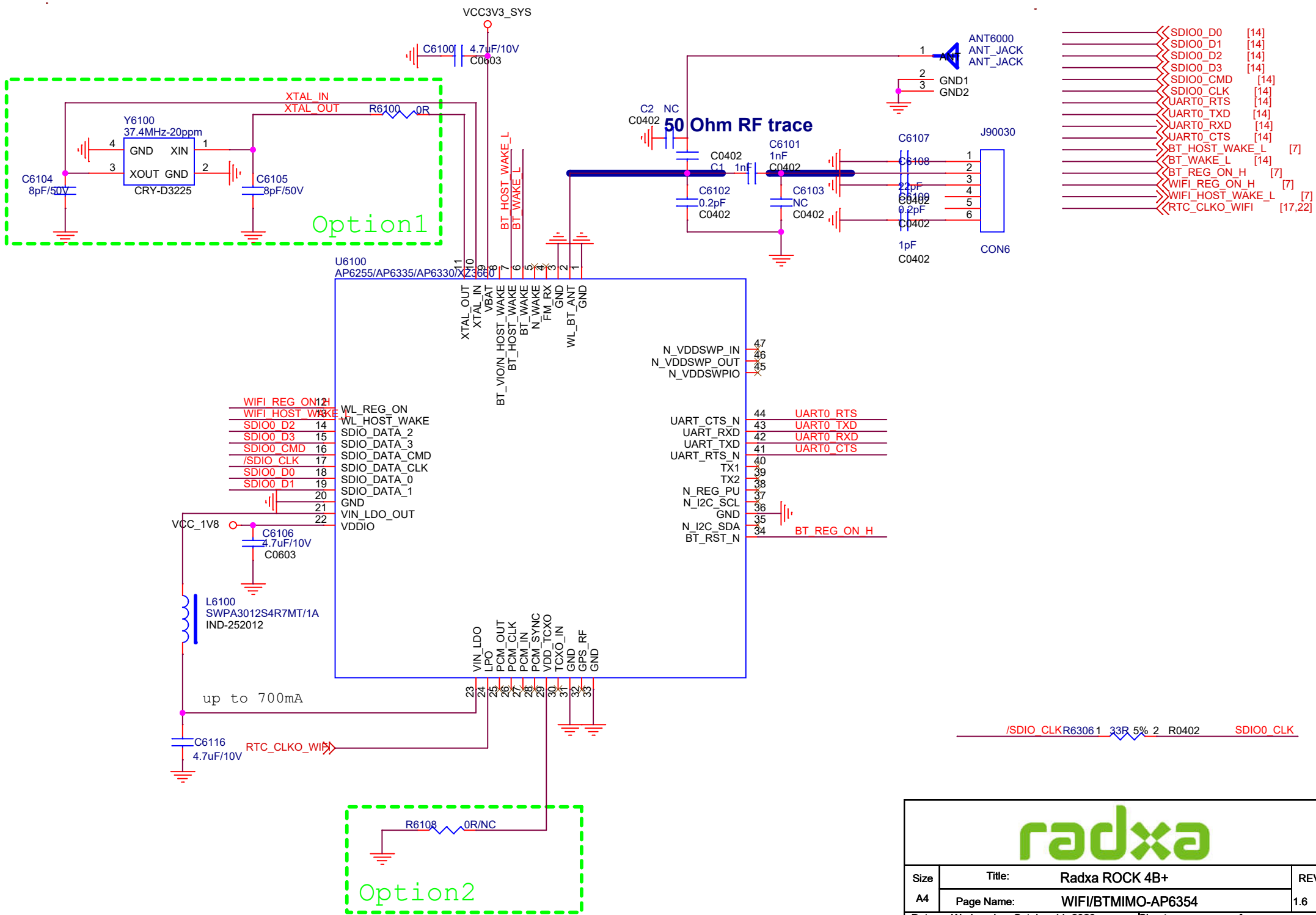


Size	Title:	Radxa ROCK 4B+	REV
A3	Page Name:	RAM-LPDDR3(178P)	1.6
Date:	Wednesday, October 11, 2023	Sheet	20 of 24

eMMC FLASH



Size	Title	Rev
A3	Radxa ROCK 4B+	1.6
Page Name: Memory-eMMC		
Date: Wednesday, October 11, 2023	Sheet	21 of 24



SDIO0_D0	[14]
SDIO0_D1	[14]
SDIO0_D2	[14]
SDIO0_D3	[14]
SDIO0_CMD	[14]
SDIO0_CLK	[14]
UART0_RTS	[14]
UART0_TXD	[14]
UART0_RXD	[14]
UART0_CTS	[14]
BT_HOST_WAKE_L	[7]
BT_WAKE_L	[14]
BT_REG_ON_H	[7]
WIFI_REG_ON_H	[7]
WIFI_HOST_WAKE_L	[7]
RTC_CLKO_WIFI	[17,22]

WIFI_REG_ON	12
WIFI_HOST_WAKE	13
SDIO0_D2	14
SDIO0_D3	15
SDIO0_CMD	16
/SDIO_CLK	17
SDIO0_D0	18
SDIO0_D1	19
WL_REG_ON	20
WIFI_HOST_WAKE	21
WIFI_REG_ON	22

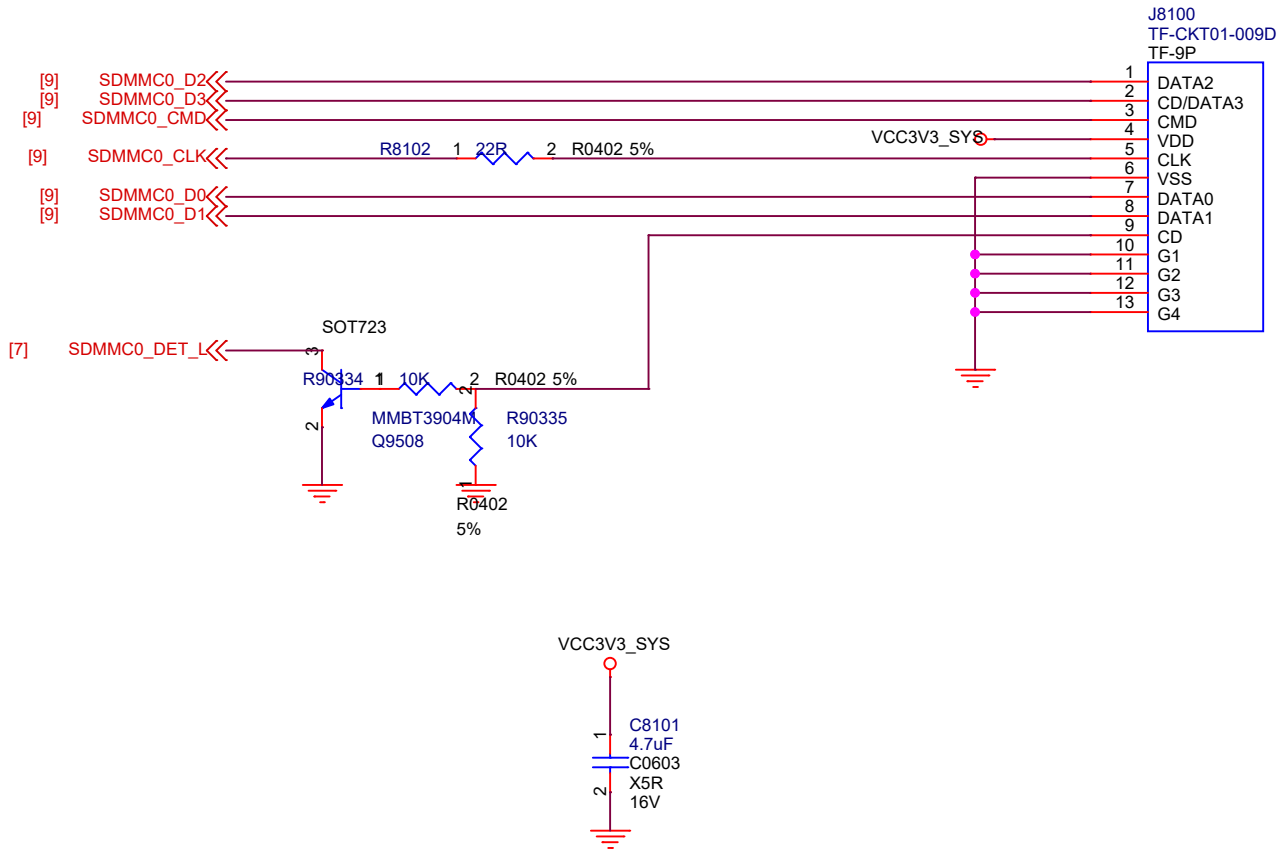
UART_CTS_N	44	UART0_RTS
UART_RXD	43	UART0_TXD
UART_TXD	42	UART0_RXD
UART_RTS_N	41	UART0_CTS
TX1	40	
TX2	39	
N_REG_PU	38	
N_I2C_SCL	37	
GND	36	
N_I2C_SDA	35	
BT_RST_N	34	BT_REG_ON_H

/SDIO_CLK R6306 1 33R 5% 2 R0402 SDIO0_CLK



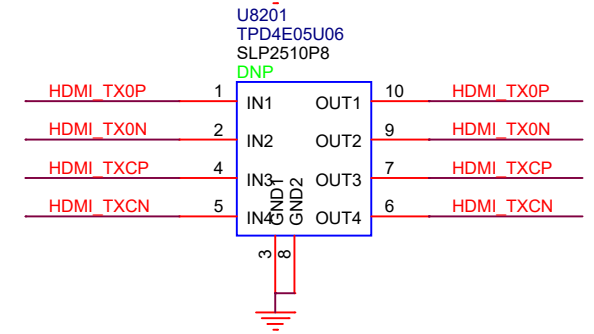
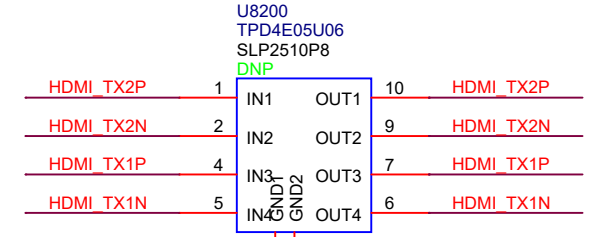
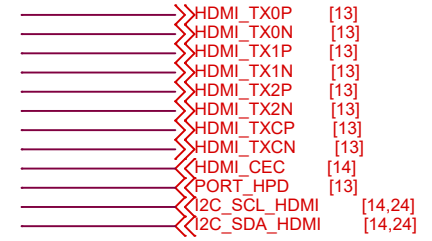
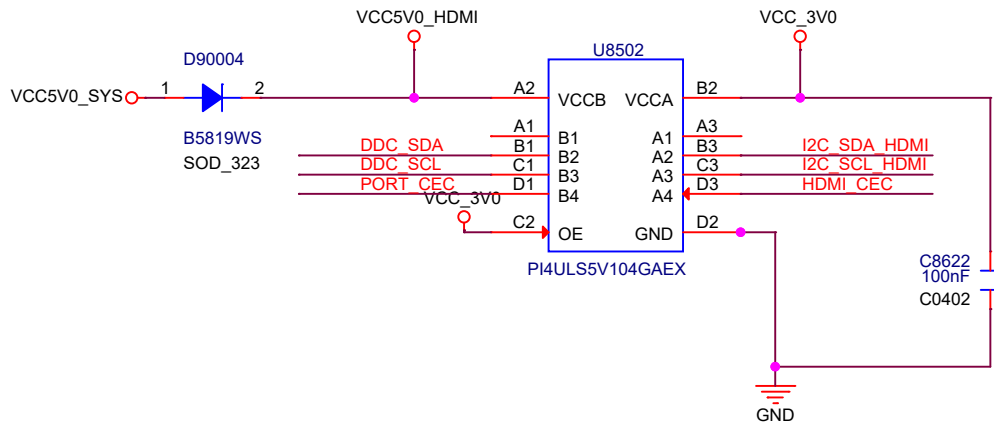
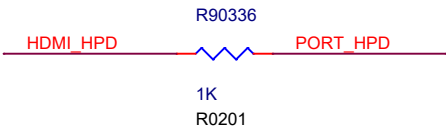
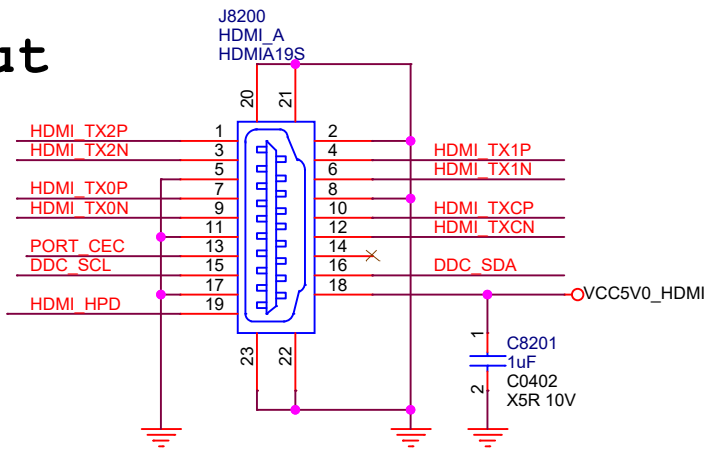
Size	Title: Radxa ROCK 4B+	REV
A4	Page Name: WIFI/BT/MIMO-AP6354	1.6
Date: Wednesday, October 11, 2023	Sheet 22	of 24

TF CARD



Size	Title: Radxa ROCK 4B+	REV
A4	Page Name: TF Card	1.6
Date: Wednesday, October 11, 2023	Sheet 23 of 24	

HDMI Output



Size	Title: Radxa ROCK 4B+	REV
A4	Page Name: HDMI Output	1.6
Date: Wednesday, October 11, 2023	Sheet 24 of 24	