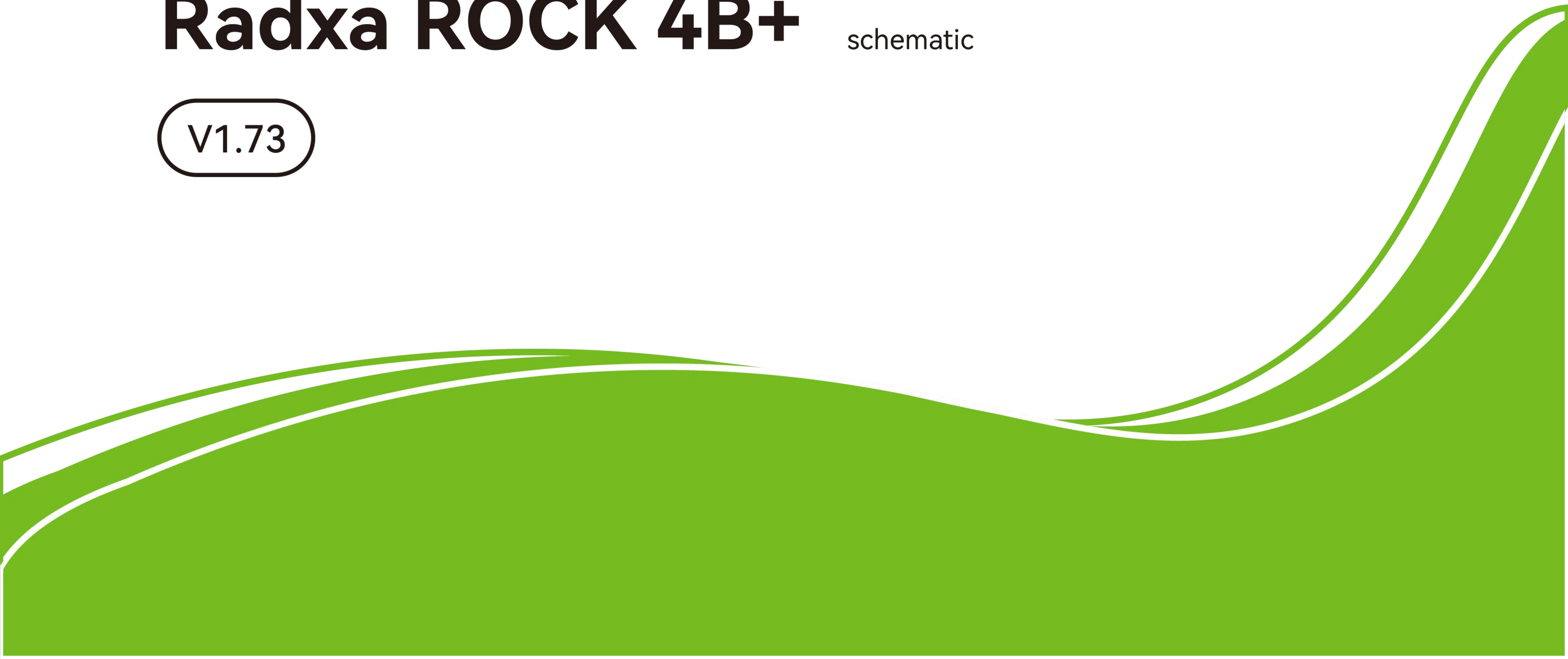


# Radxa ROCK 4B+ schematic

V1.73

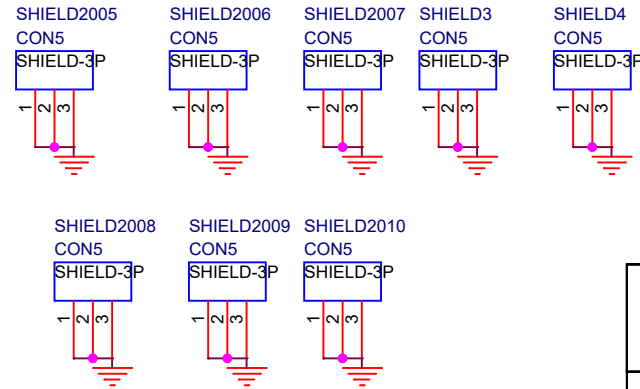
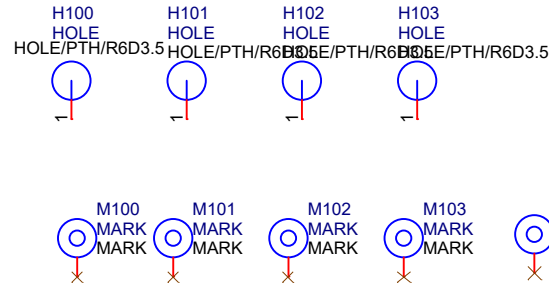
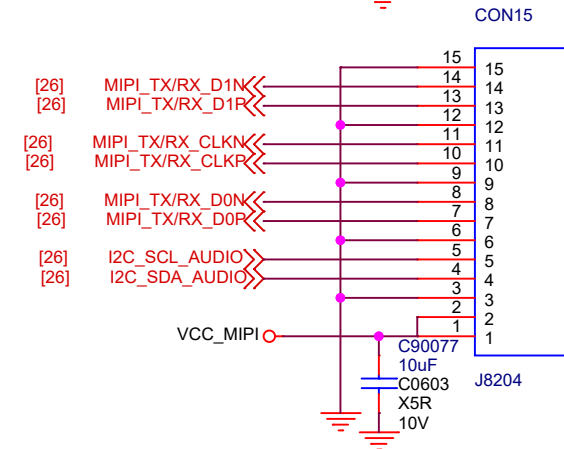
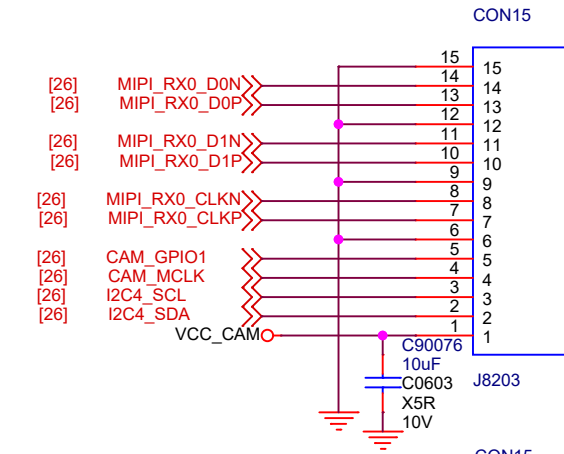
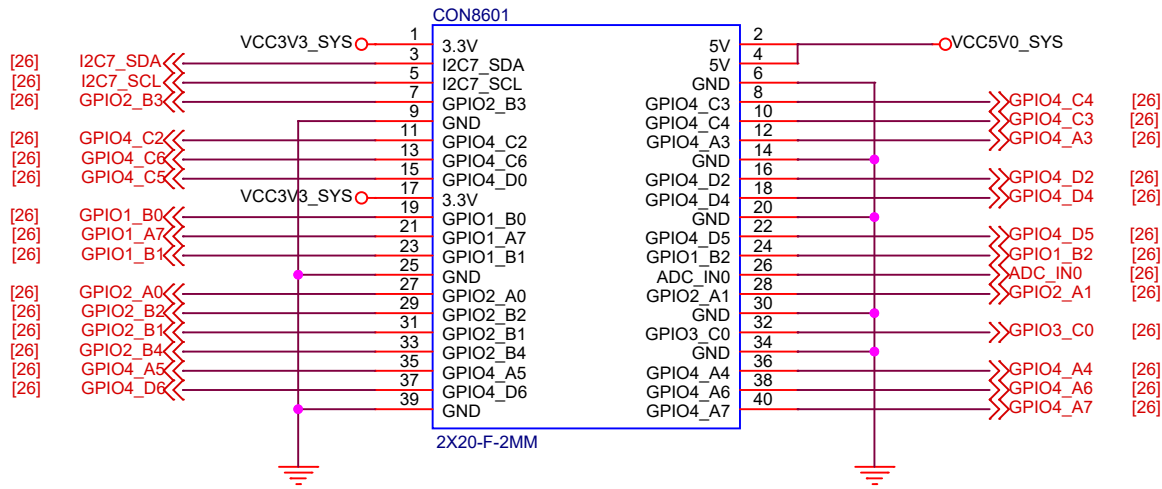


# CONTENT INDEXING

- 01.Cover
- 02.Content
- 03.CONNECTOR
- 04.ES8316
- 05.PCie NGFF/M.2
- 06.RK3399 Power
- 07.RK3399 PMU Controler
- 08.RK3399 DDR Controler
- 09.RK3399 Flash&SDMMC Controler
- 10.RK3399 USB/USIC Controler
- 11.RK3399 SARADC/Key
- 12.RK3399 DVP Interface
- 13.RK3399 Display Interface
- 14.RK3399 GPIO
- 15.RK3399 PCIE
- 16.Power-DC IN
- 17.Power-PMIC RK808-D
- 18.10/100/1000M Ethernet
- 19.USB Type-C Port
- 20.RAM-LPDDR3(178P)
- 21.Memory-eMMC
- 22.WIFI/BTMIMO-AP6354
- 23.TF Card
- 24.HDMI Output

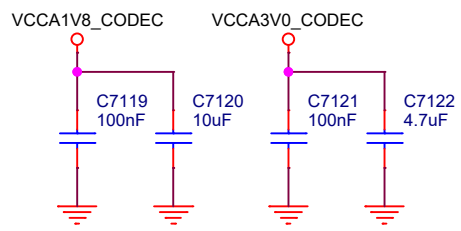
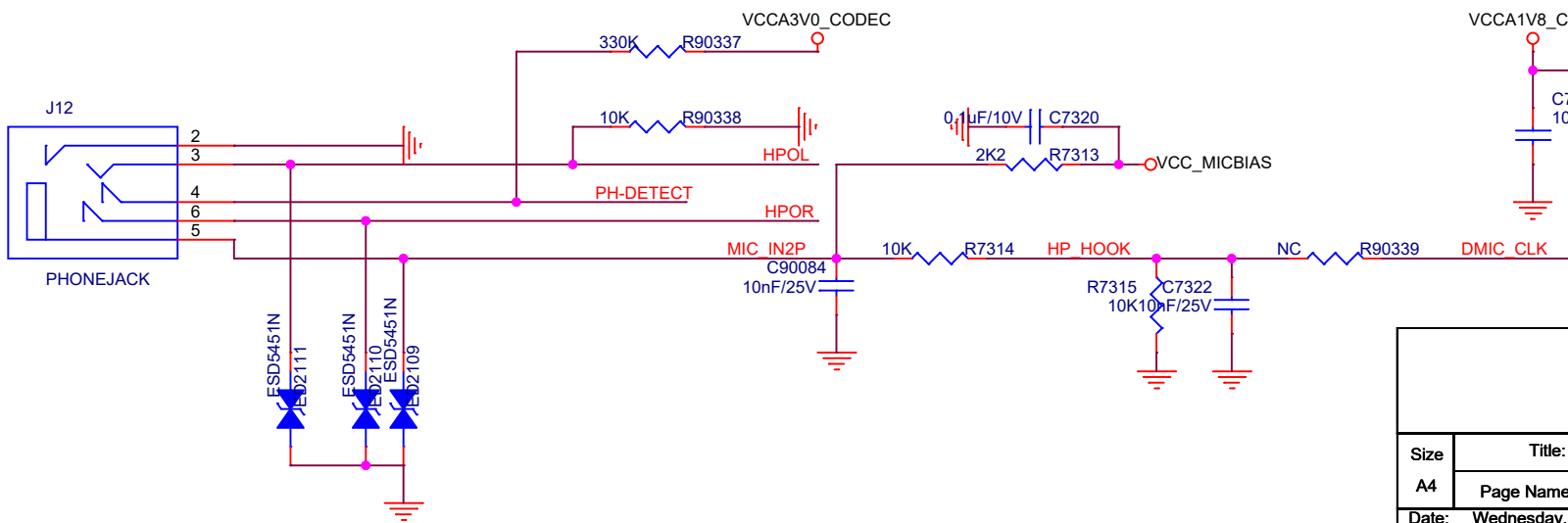
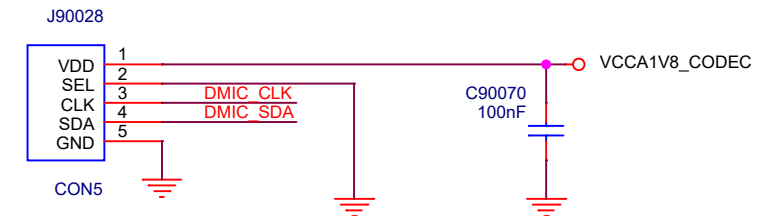
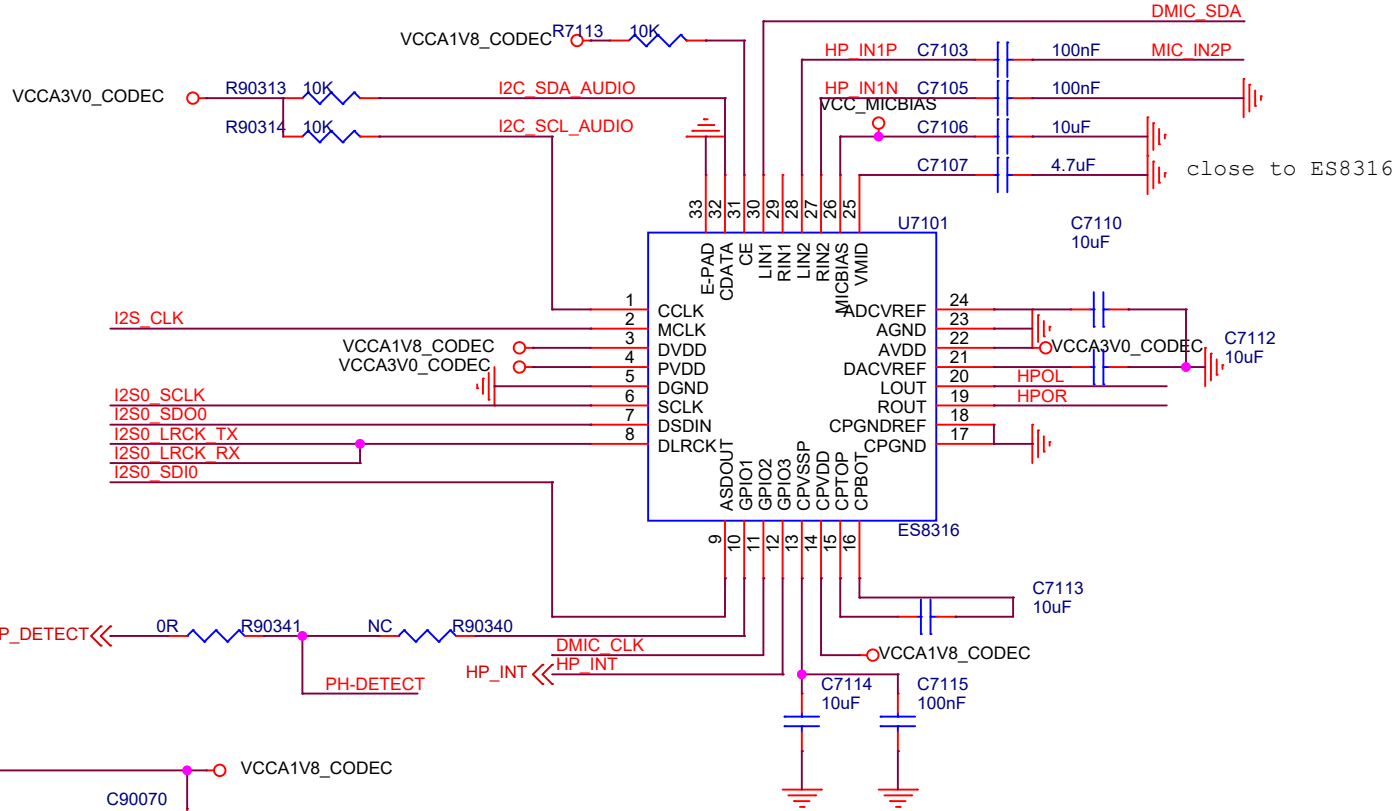


Size	Title: Radxa ROCK 4B+	REV
A4	Page Name: Content	1.73
Date: Wednesday, October 11, 2023		Sheet 2 of 24



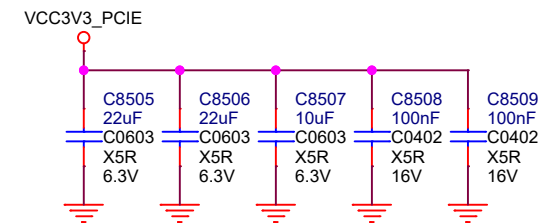
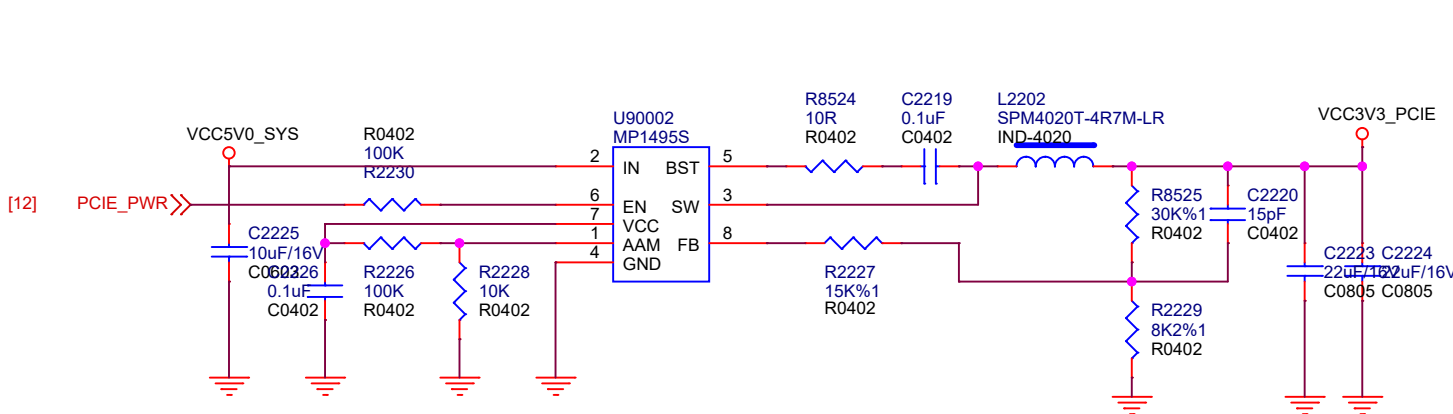
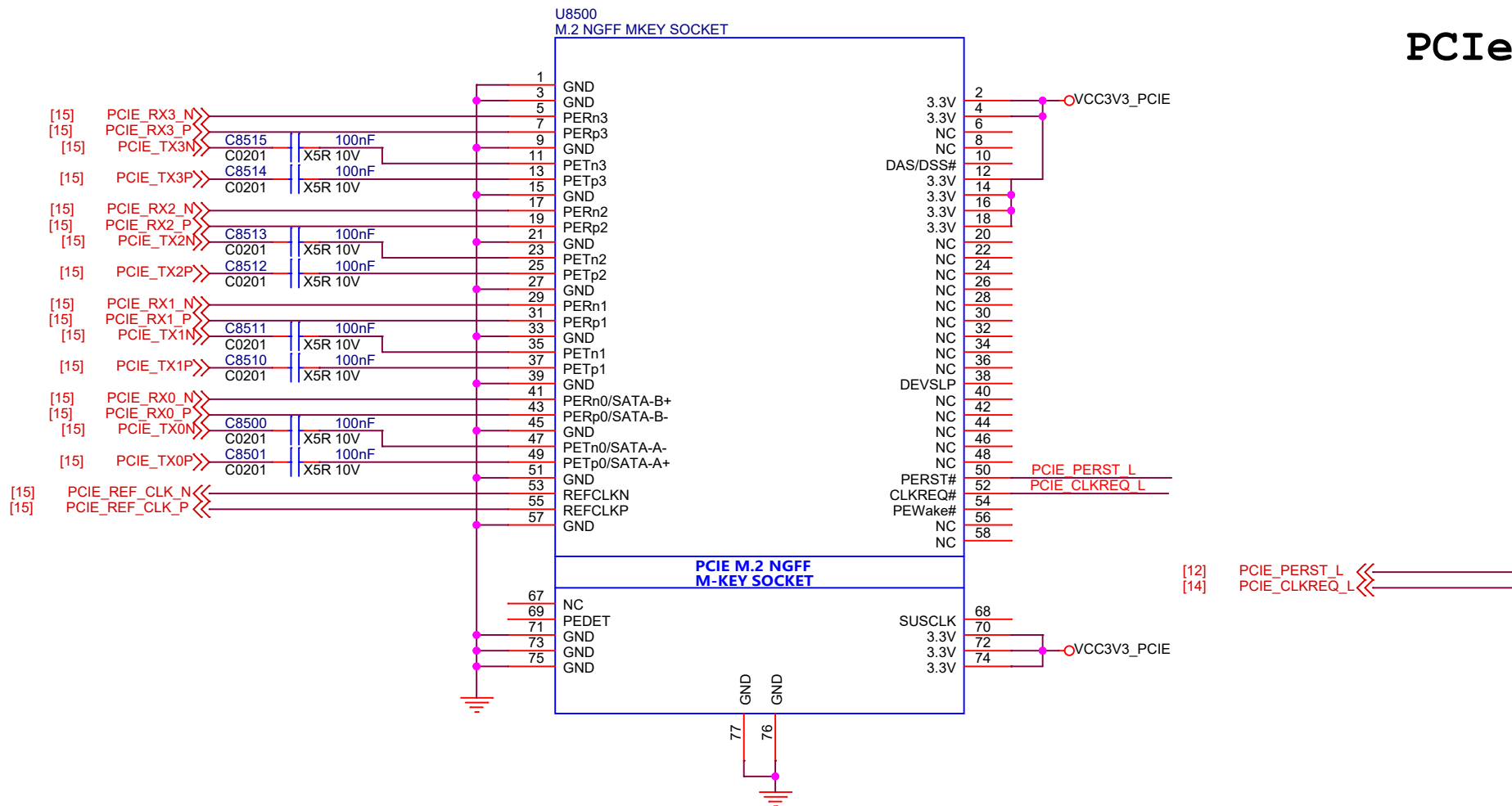
Size	Title: Radxa ROCK 4B+	REV
A4	Page Name: CONNECTOR	1.73
Date:	Wednesday, October 11, 2023	Sheet 3 of 24

I2C\_SCL\_AUDIO  
 I2C\_SDA\_AUDIO  
 HP\_HOOK  
 I2S\_CLK  
 I2S0\_SCLK  
 I2S0\_LRCK\_RX  
 I2S0\_LRCK\_TX  
 I2S0\_SDIO  
 I2S0\_SDO0



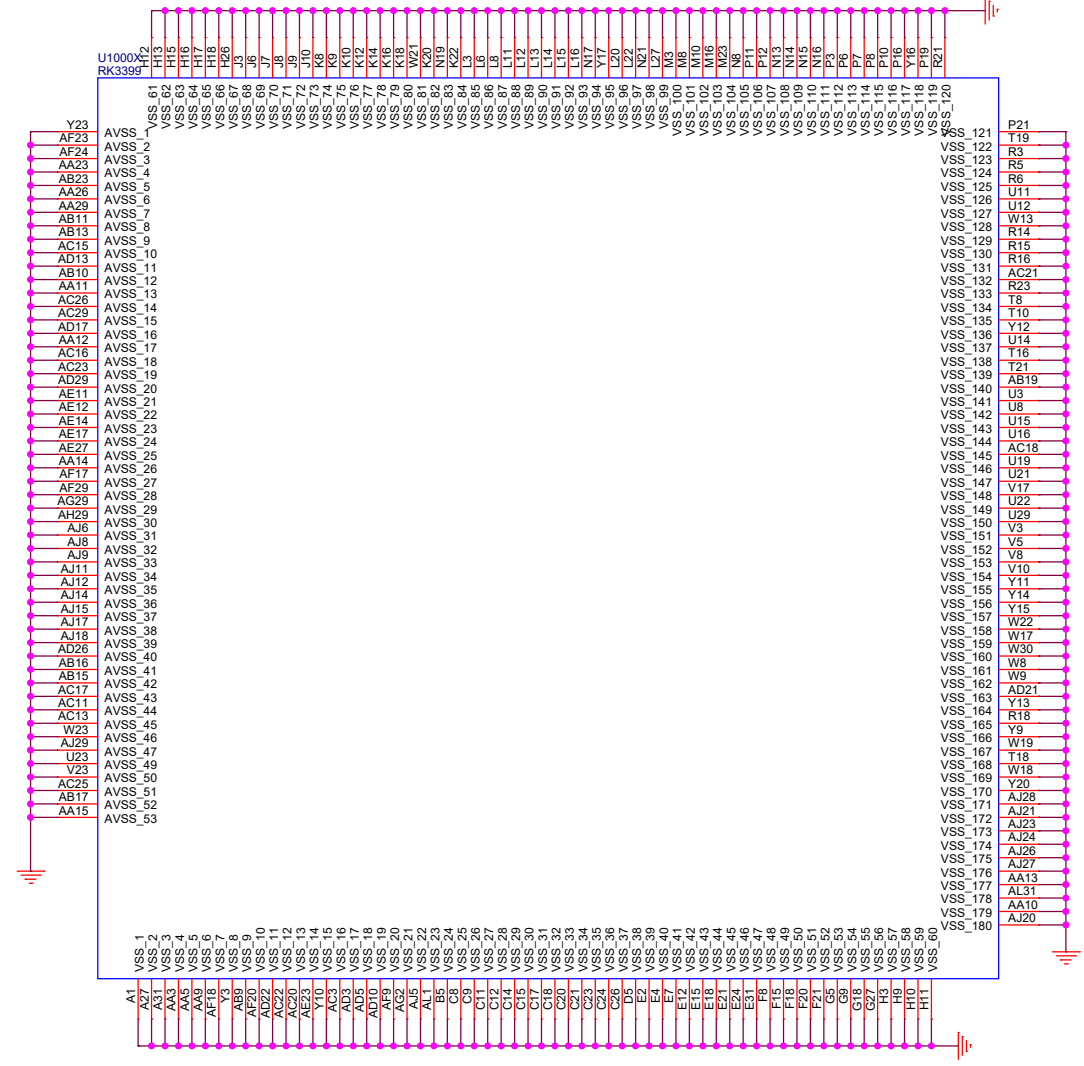
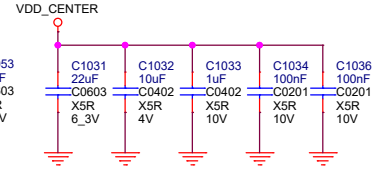
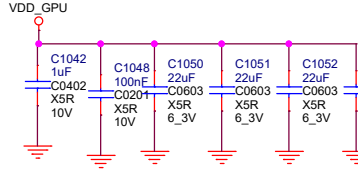
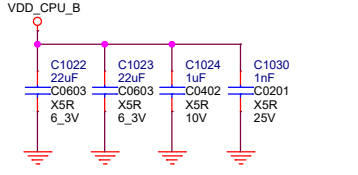
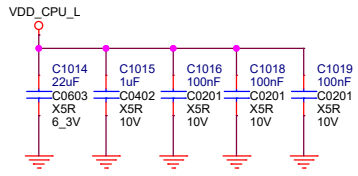
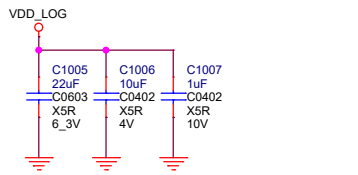
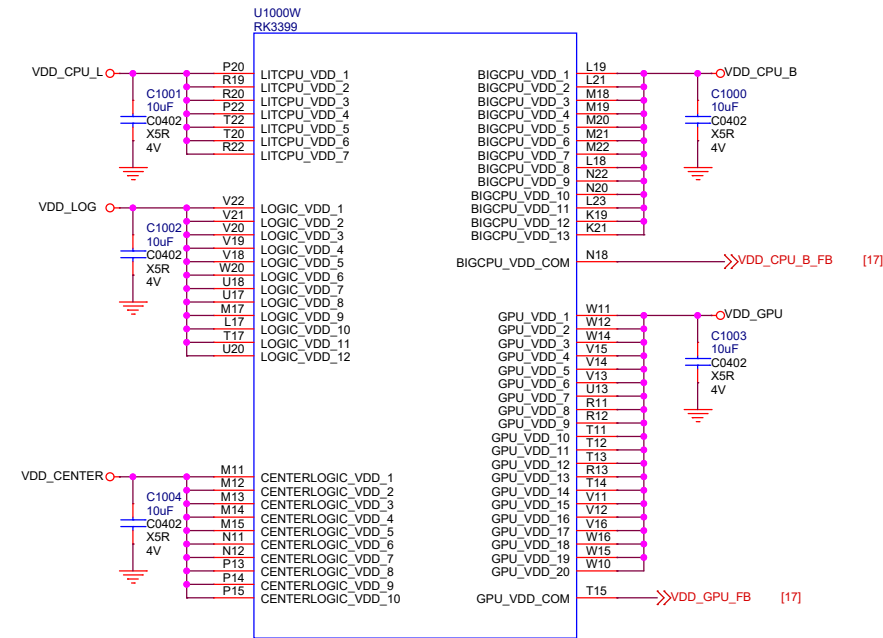
Size	Title: Radxa ROCK 4B+	REV
A4	Page Name: ES8316	1.73
Date: Wednesday, October 11, 2023	Sheet 4 of 24	

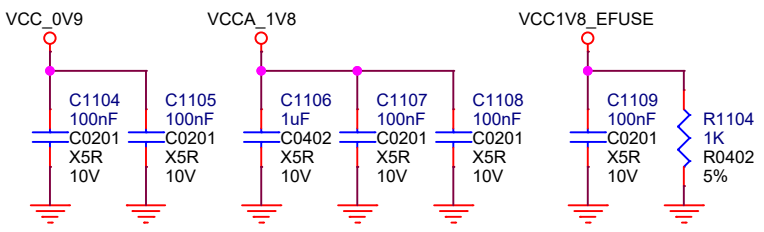
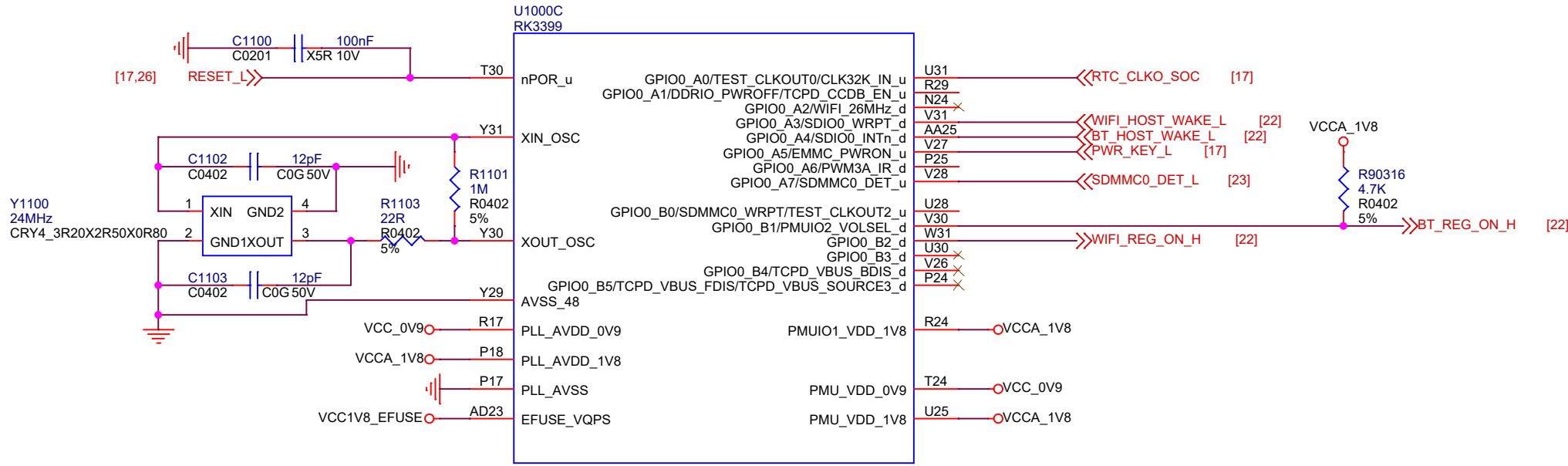
# PCIe NGFF/M.2



**radxa**

Size	Title: Radxa ROCK 4B+	REV
A4	Page Name: PCIe NGFF/M.2	1.73
Date: Wednesday, October 11, 2023		
Sheet		5 of 24

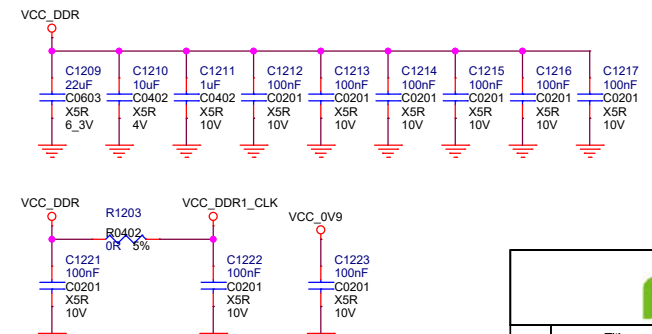
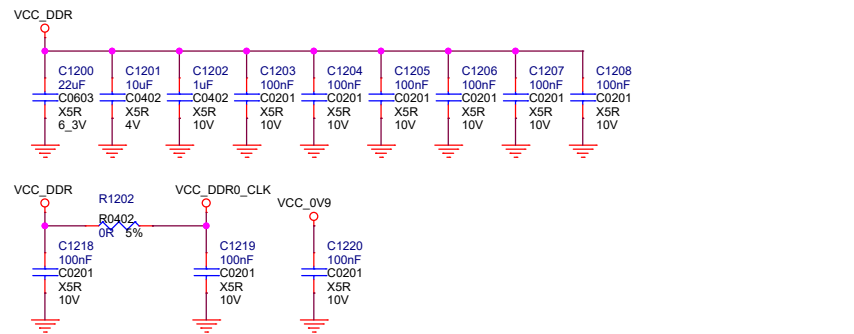
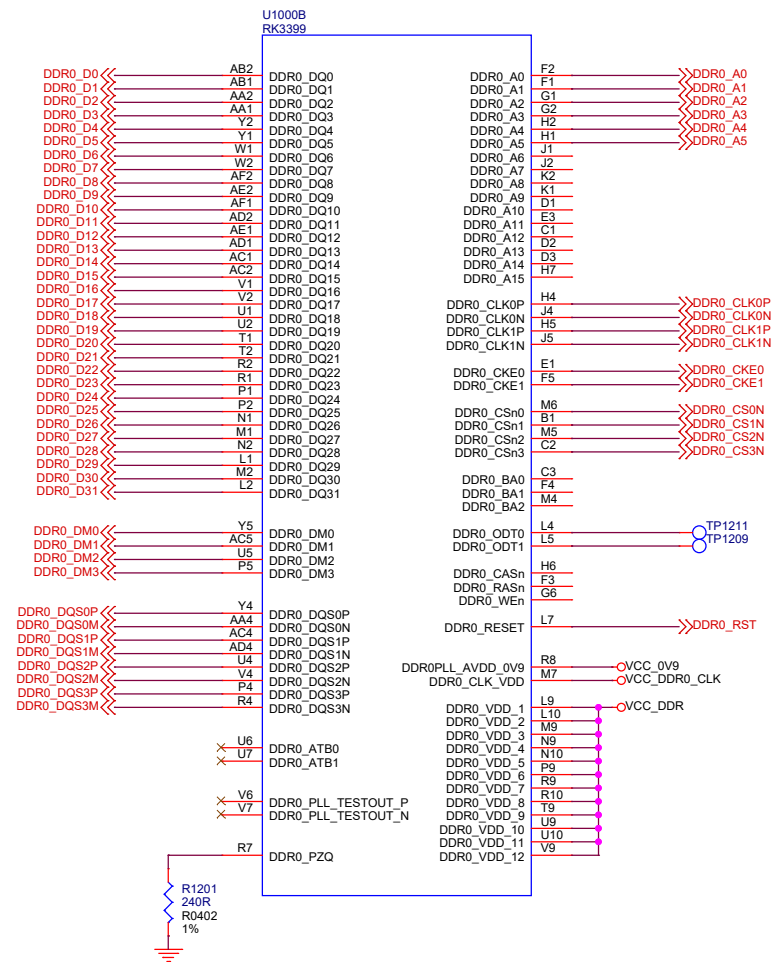
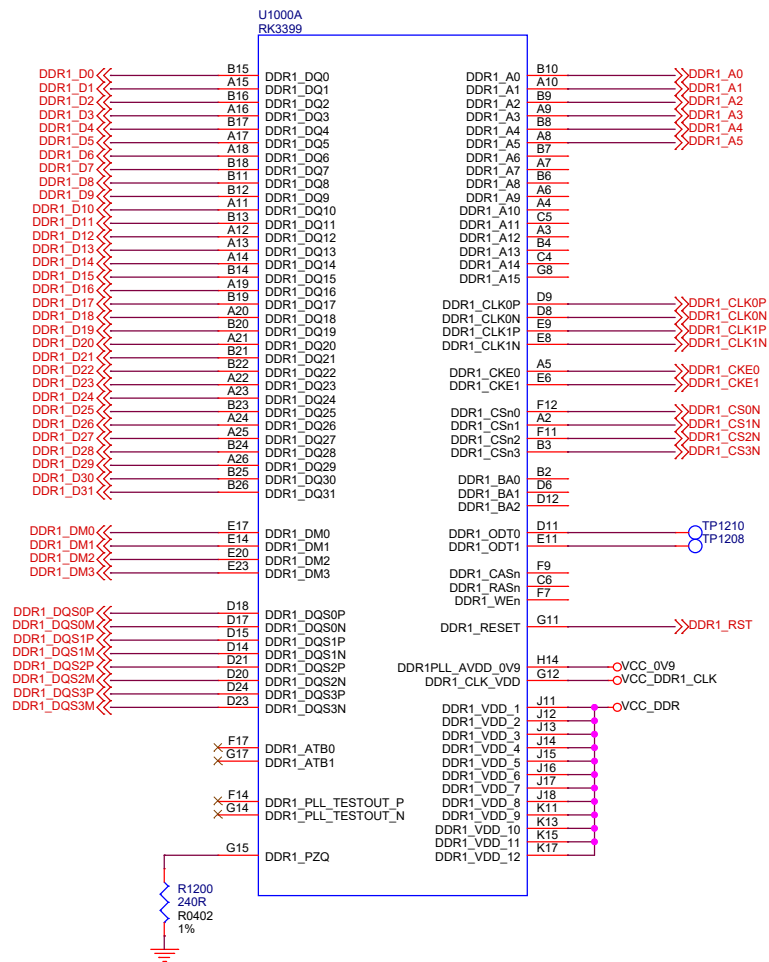






Size	Title: Radxa ROCK 4B+	REV
A4	Page Name: RK3399 PMU Controller	1.73
Date: Wednesday, October 11, 2023	Sheet 7 of 24	



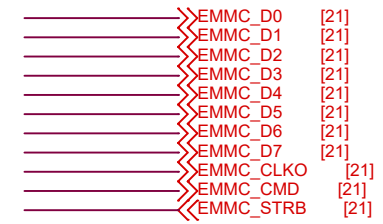
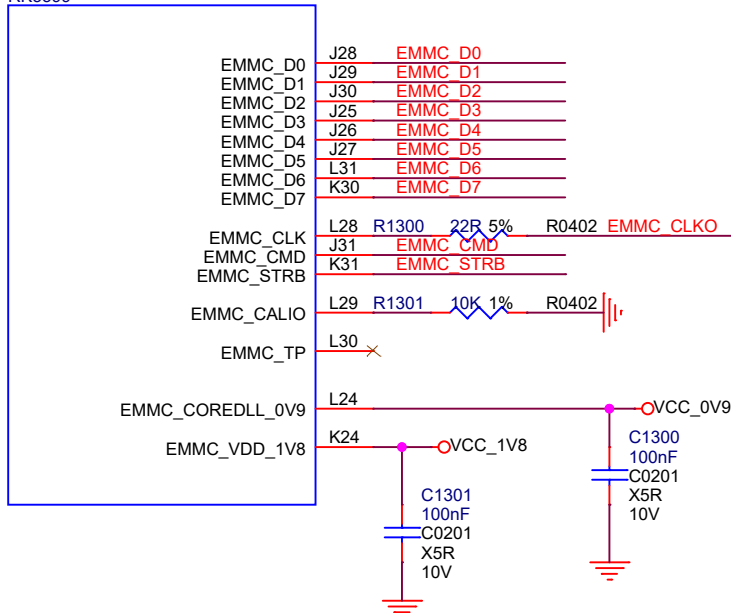


**radxa**

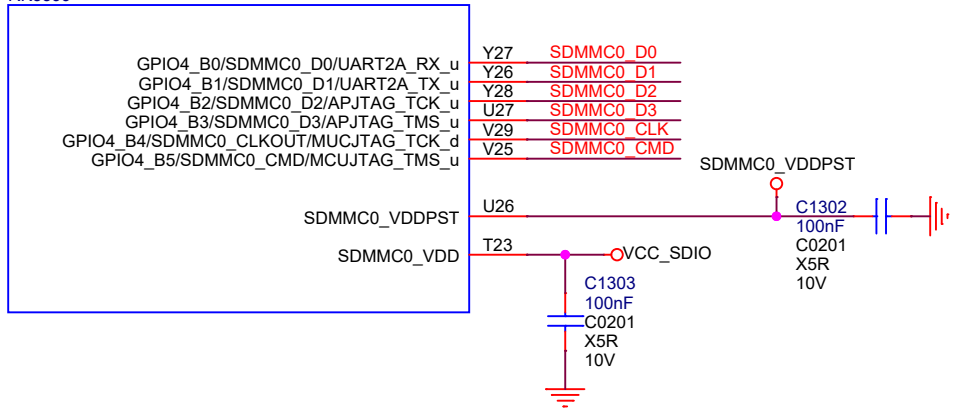
Size	Title: Radxa ROCK 4B+	REV
A3	Page Name: RK3399 DDR Controler	1.73
Date: Wednesday, October 11, 2023	Sheet 8	of 24



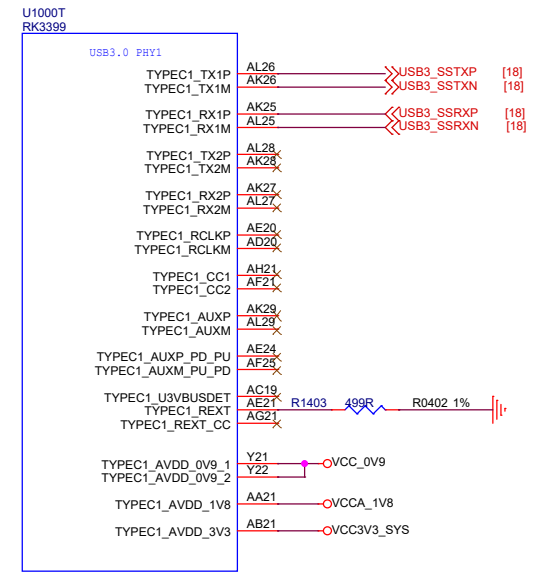
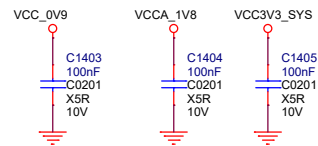
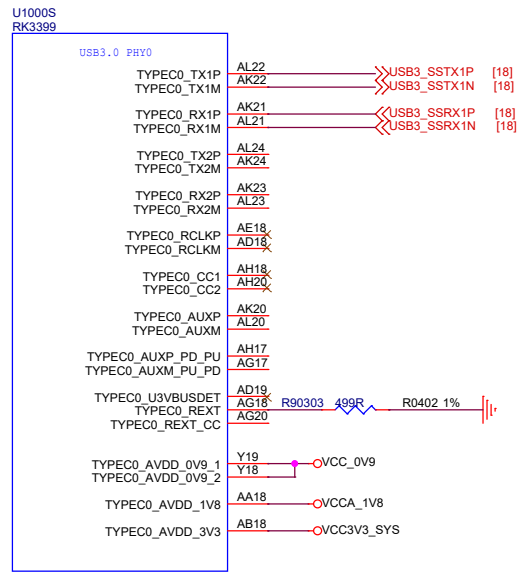
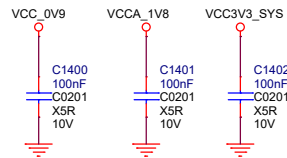
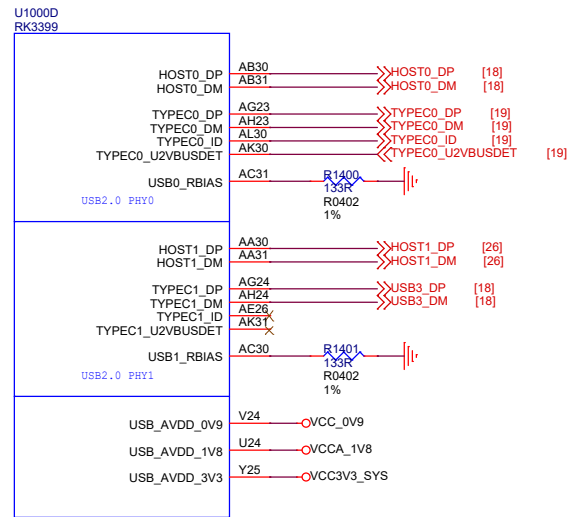
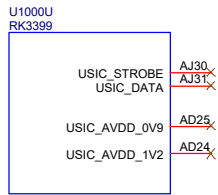
U1000H  
RK3399

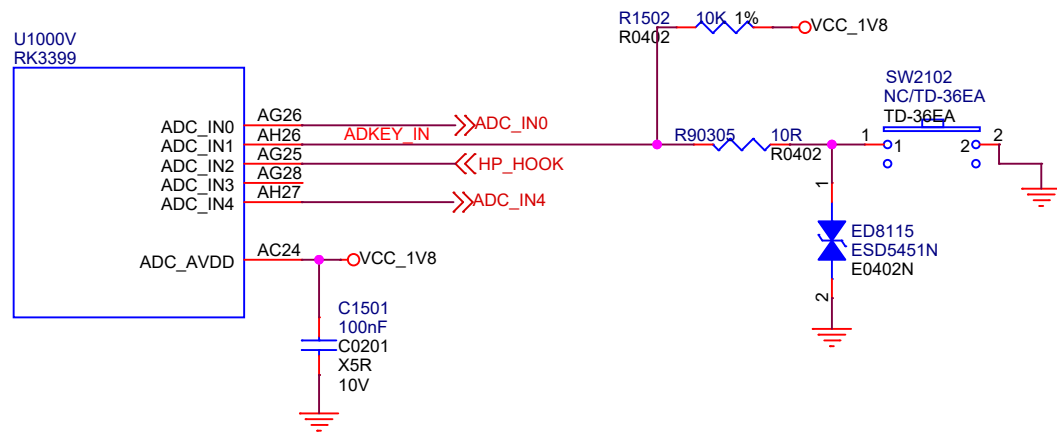


U1000F  
RK3399



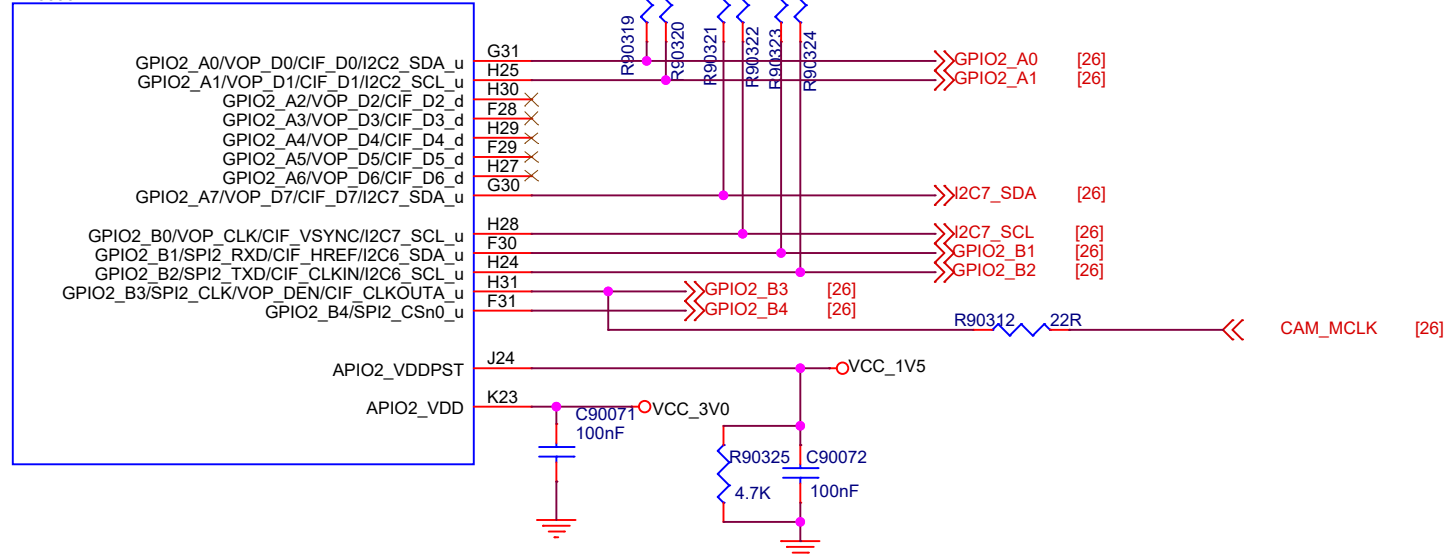
Size	Title: Radxa ROCK 4B+	REV
A4	Page Name: RK3399 Flash&SDMMC Controller	1.73
Date: Wednesday, October 11, 2023	Sheet 9 of 24	



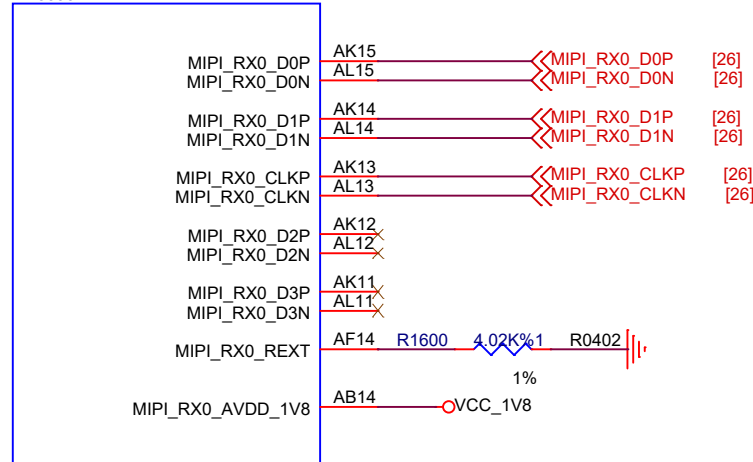


Size	Title: Radxa ROCK 4B+	REV
A4	Page Name: RK3399 SARADC/Key	1.73
Date: Wednesday, October 11, 2023	Sheet 11 of 24	

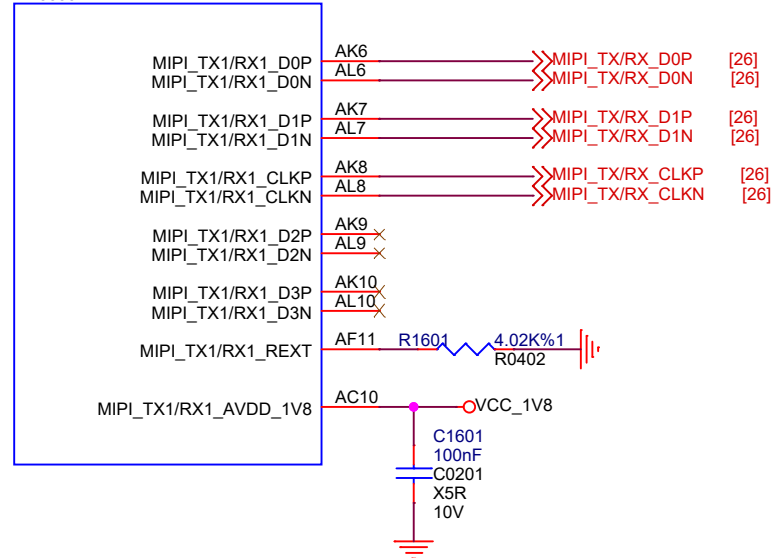
U1000L  
RK3399



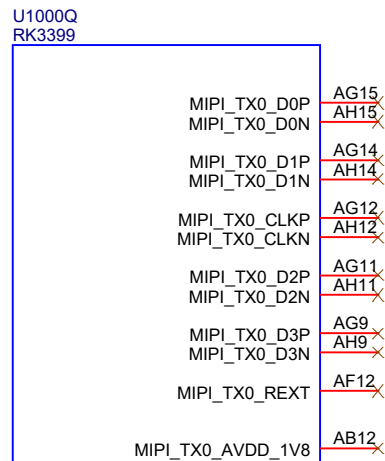
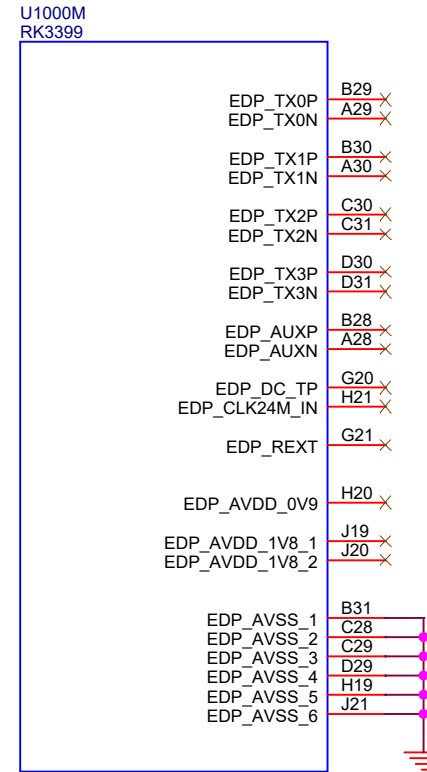
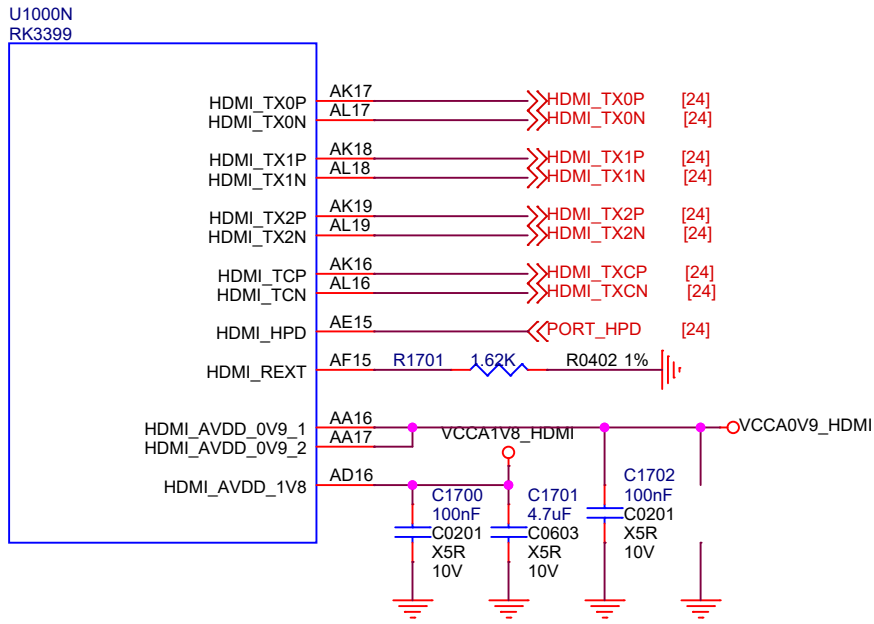
U1000R  
RK3399



U1000P  
RK3399



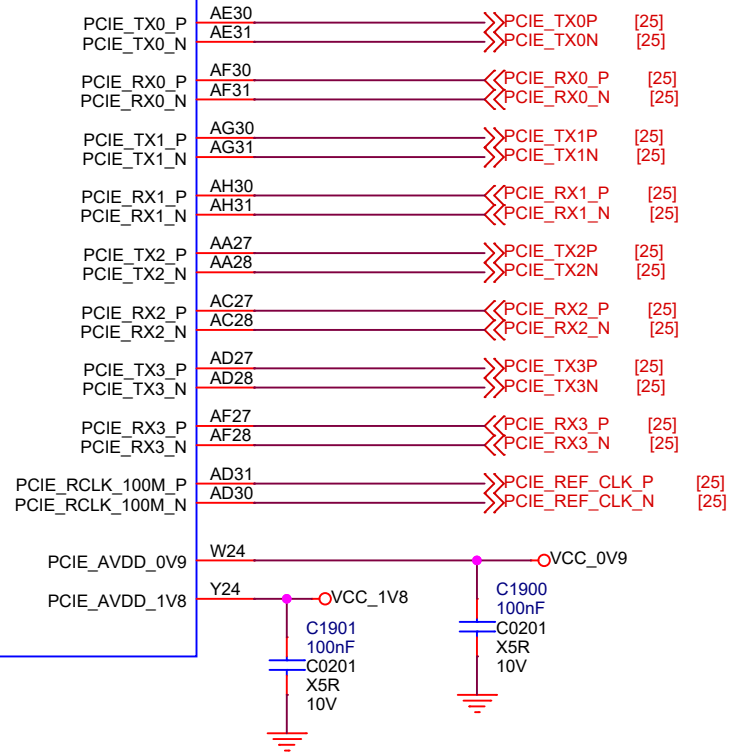
Size	Title: Radxa ROCK 4B+	REV
A4	Page Name: RK3399 DVP Interface	1.73
Date: Wednesday, October 11, 2023	Sheet 12 of 24	



Size	Title: Radxa ROCK 4B+	REV
A4	Page Name: RK3399 Display Interface	1.73
Date: Wednesday, October 11, 2023	Sheet 13 of 24	



U10000  
RK3399



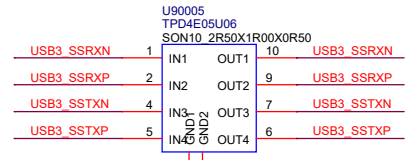
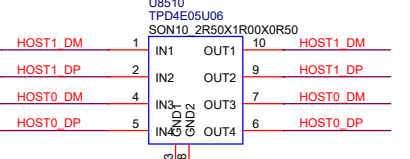
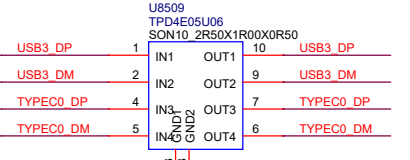
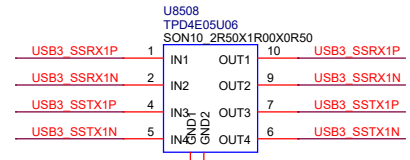
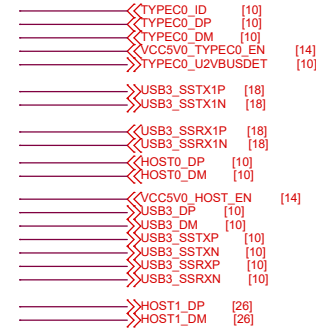
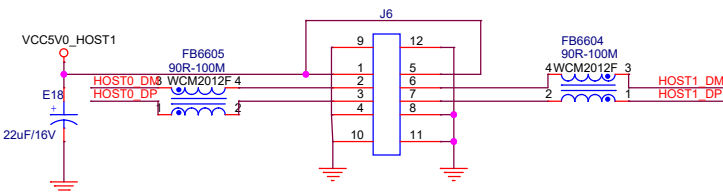
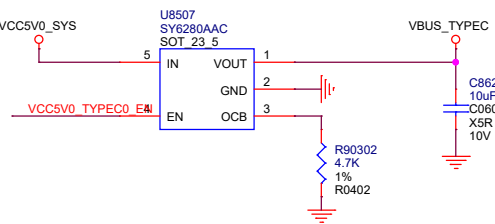
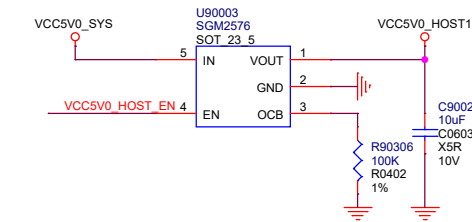
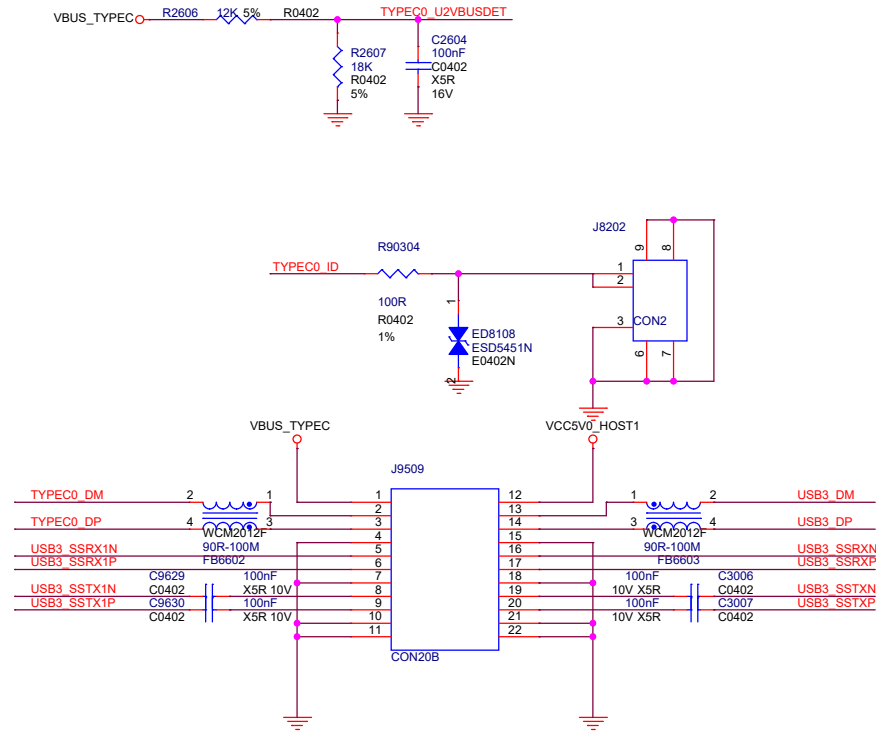
Size	Title: Radxa ROCK 4B+	REV
A4	Page Name: RK3399 PCIE	1.73
Date: Wednesday, October 11, 2023		Sheet 15 of 24

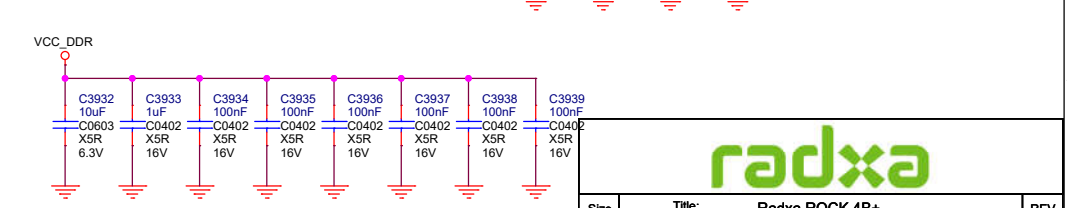
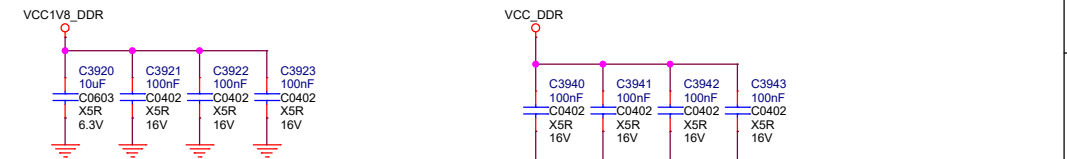
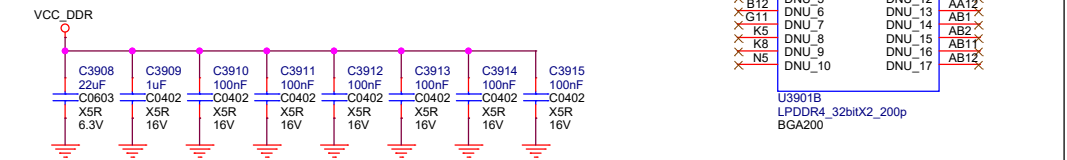
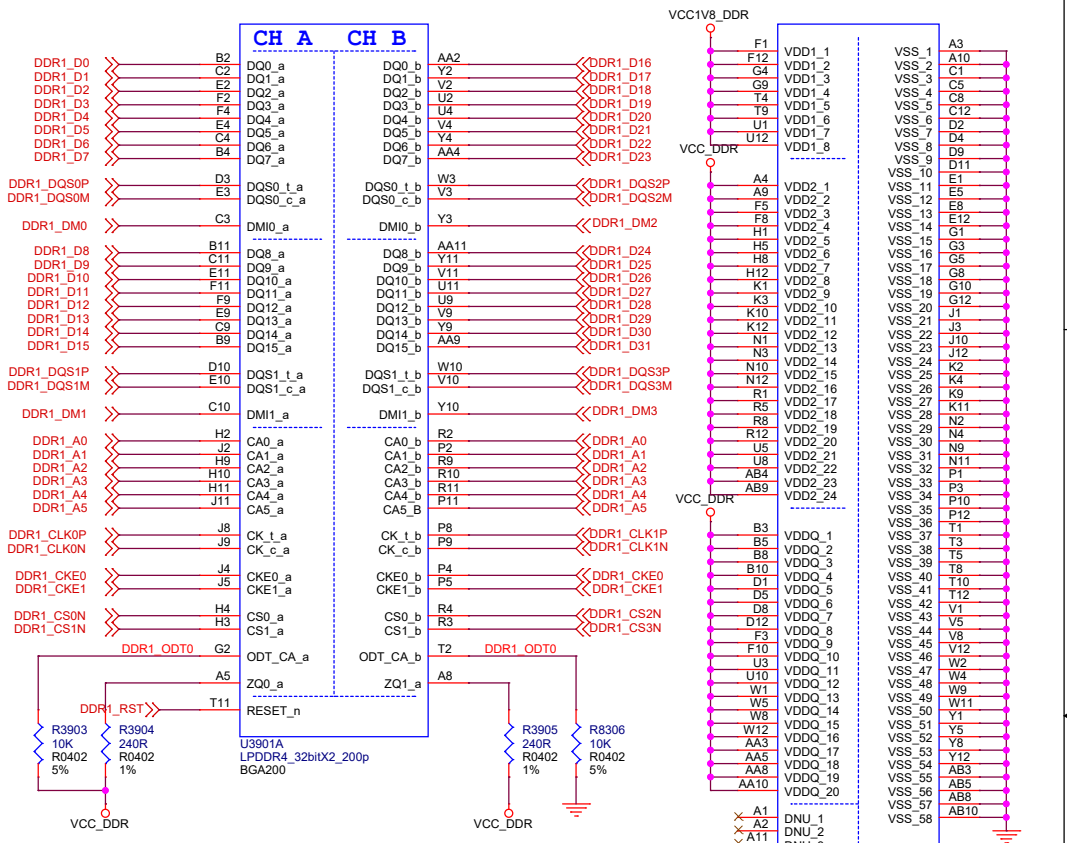
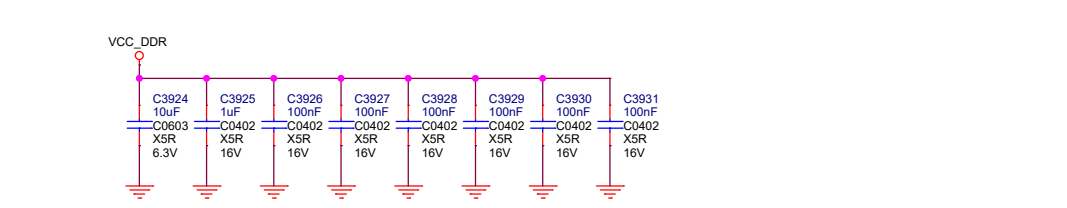
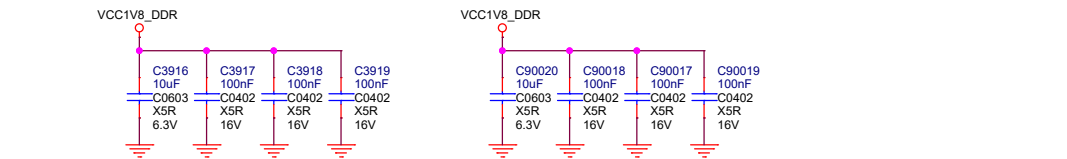
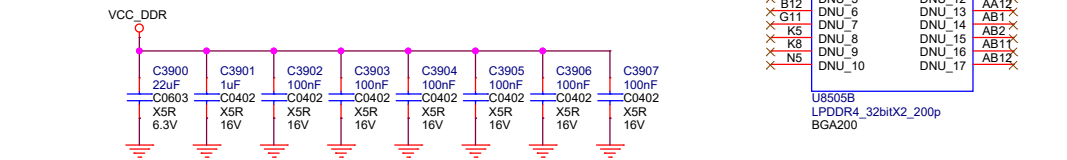
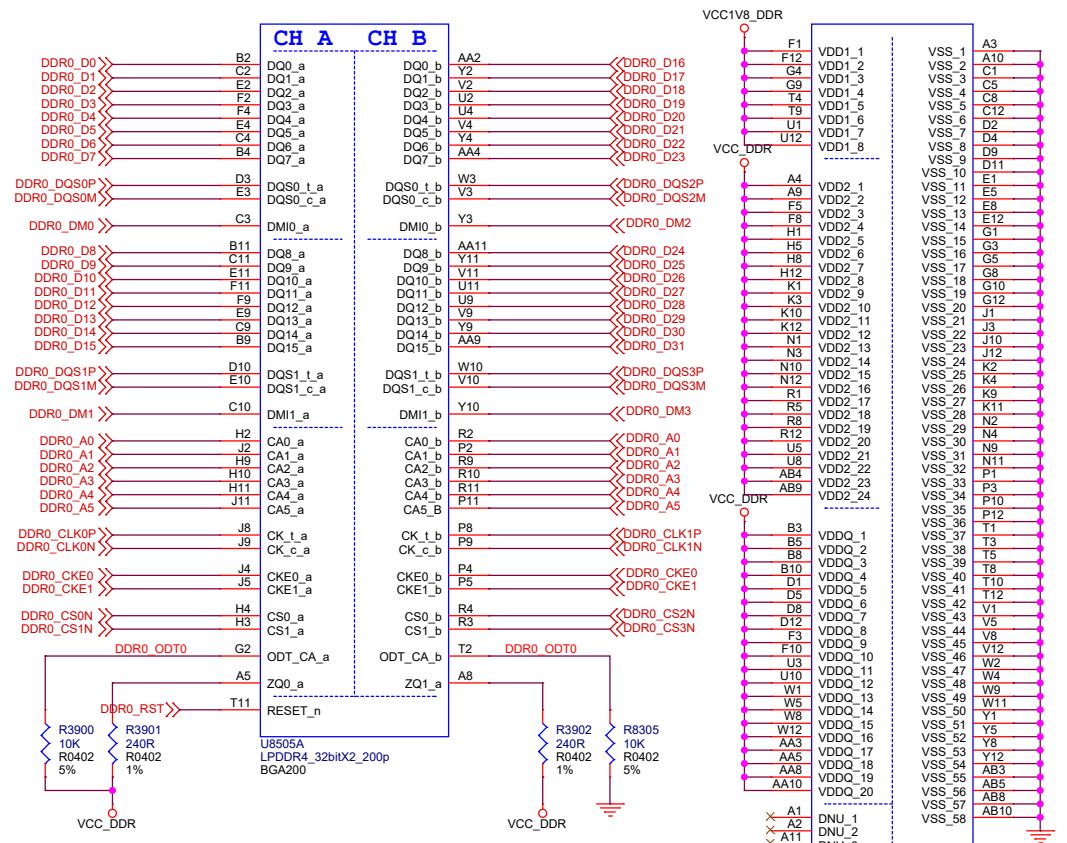


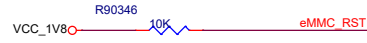
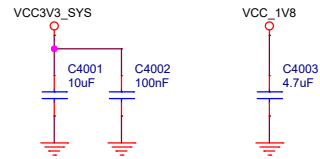




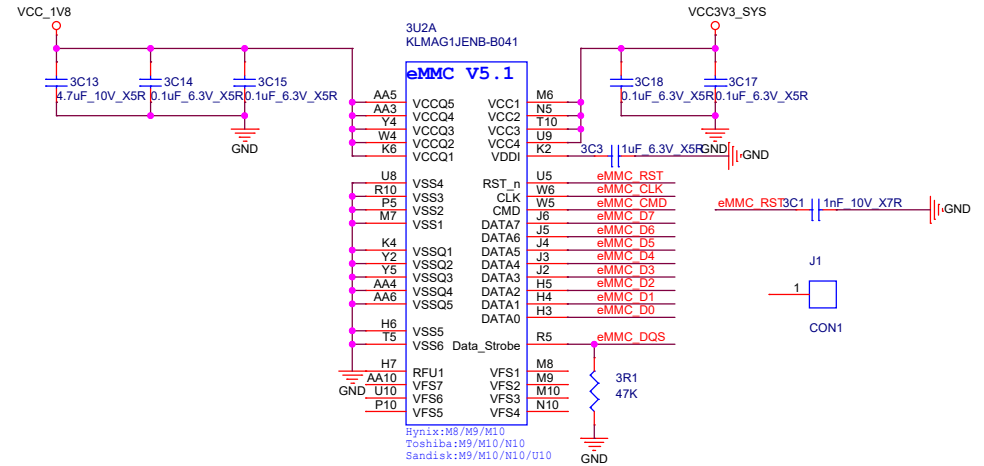
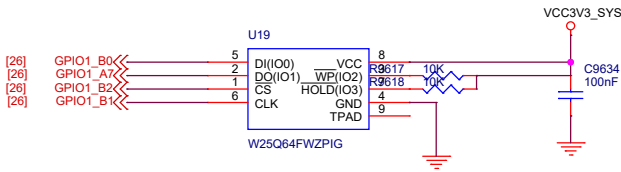
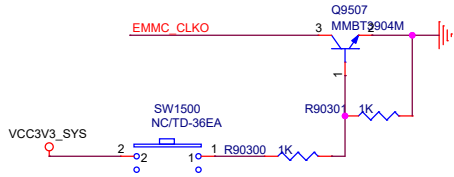








[9]	EMMC_D0	eMMC D0
[9]	EMMC_D1	eMMC D1
[9]	EMMC_D2	eMMC D2
[9]	EMMC_D3	eMMC D3
[9]	EMMC_D4	eMMC D4
[9]	EMMC_D5	eMMC D5
[9]	EMMC_D6	eMMC D6
[9]	EMMC_D7	eMMC D7
[9]	EMMC_CMD	eMMC CMD
[9]	EMMC_CLKO	eMMC CLK
[9]	EMMC_STRB	eMMC DQS



3U2B KLMAG1JENB-B041

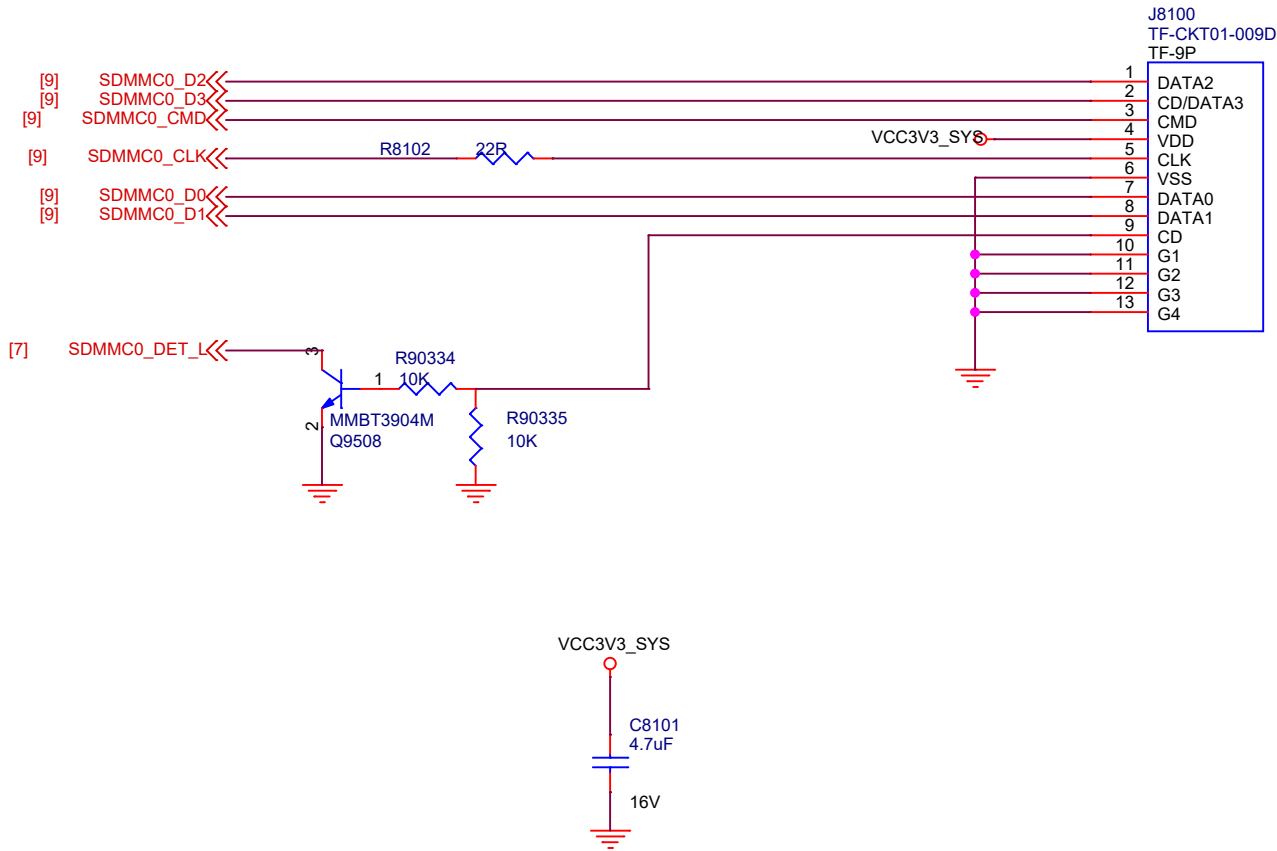
K5	NC140	L3
Y1	NC141	L2
A4	NC108	W14
A8	NC110	W13
A9	NC109	W12
A11	NC108	W11
B2	NC107	W10
D1	NC106	W9
D14	NC104	W8
H1	NC107	W7
H8	NC103	W3
H9	NC102	W2
H10	NC101	W1
H11	NC100	V14
H12	NC98	V13
H13	NC97	V12
H14	NC96	V3
J7	NC95	V2
J8	NC94	V1
J9	NC93	U14
J10	NC92	U13
J11	NC91	U12
J12	NC89	U7
J13	NC88	U6
J14	NC48	M3
K1	NC28	M2
K7	NC29	M1
K8	NC32	L14
K9	NC33	L13
K10	NC34	L4
K11	NC35	L3
K12	NC36	H2
M12	NC53	
M13	NC54	
M14	NC55	
N1	NC56	
N2	NC57	
N3	NC58	
N12	NC60	
N13	NC61	
N14	NC62	
P1	NC63	
P2	NC64	
P3	NC65	
P12	NC67	
P13	NC68	
P14	NC69	
R1	NC70	
R2	NC71	
R3	NC72	
R12	NC74	
R14	NC76	
R15	NC77	
T1	NC78	
T2	NC79	
T3	NC80	
T12	NC81	
T14	NC82	
U1	NC83	
U2	NC84	
U3	NC85	
U4	NC86	
U5	NC87	
NC42		
NC41		
NC110		
NC109		
NC108		
NC107		
NC106		
NC105		
NC104		
NC103		
NC102		
NC101		
NC100		
NC99		
NC98		
NC97		
NC96		
NC95		
NC94		
NC93		
NC92		
NC91		
NC89		
NC88		
NC48		
NC28		
NC29		
NC32		
NC33		
NC34		
NC35		
NC36		
NC37		

eMMC V5.1  
eMMC NC PIN FOR ALLEGRO



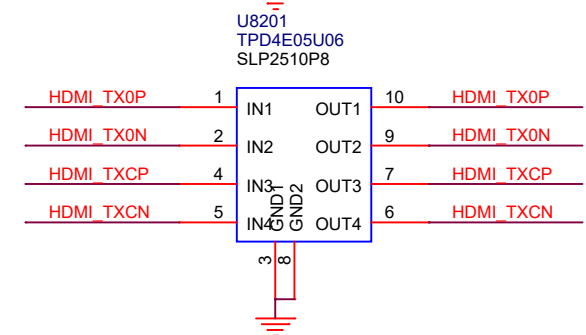
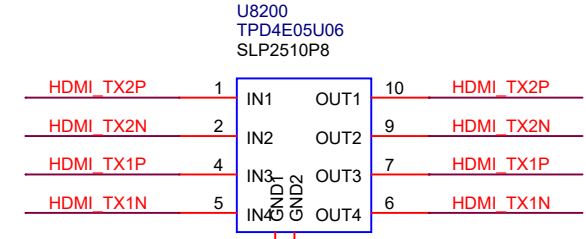
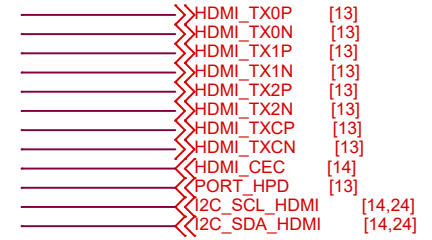
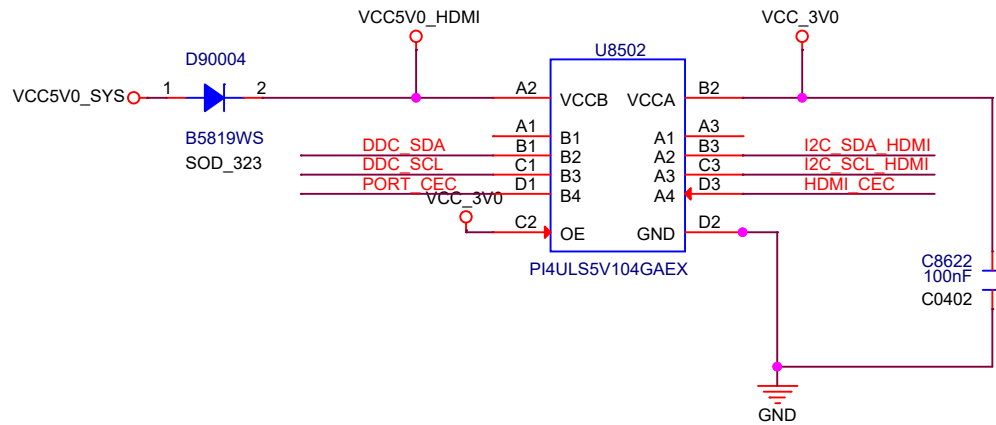
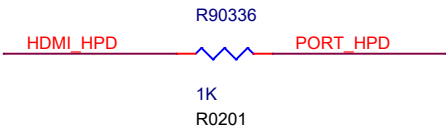
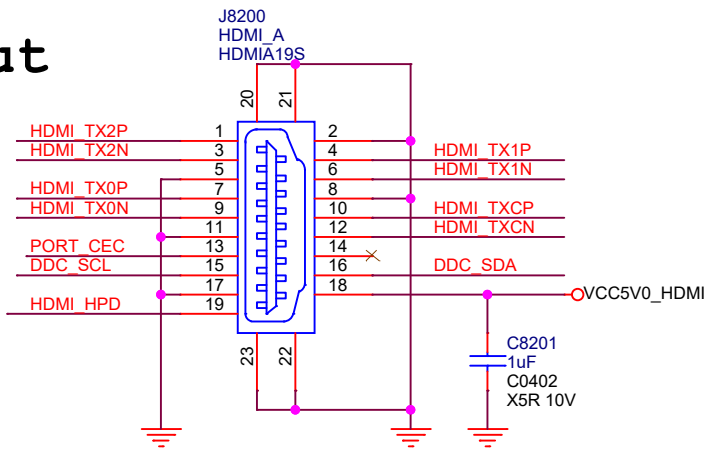


# TF CARD



Size	Title: Radxa ROCK 4B+	REV
A4	Page Name: TF Card	1.73
Date: Wednesday, October 11, 2023	Sheet 23 of 24	

# HDMI Output



**radxa**

Size	Title: Radxa ROCK 4B+	REV
A4	Page Name: HDMI Output	1.73
Date: Wednesday, October 11, 2023	Sheet 24 of 24	