



# Radxa ROCK 4A

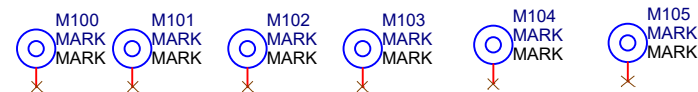
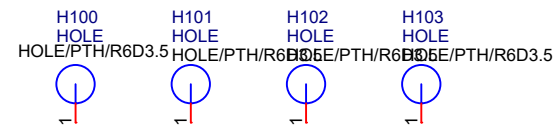
schematic

V1.52

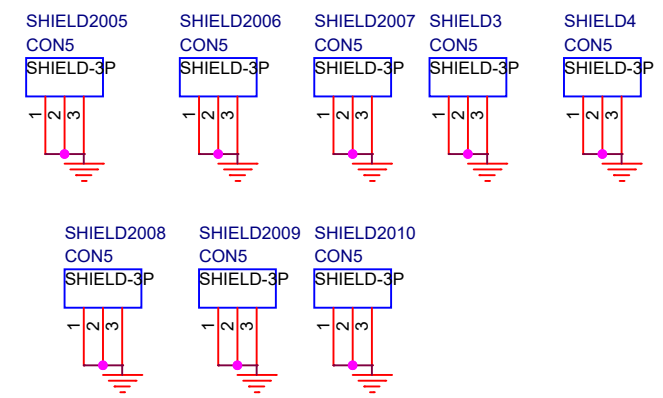
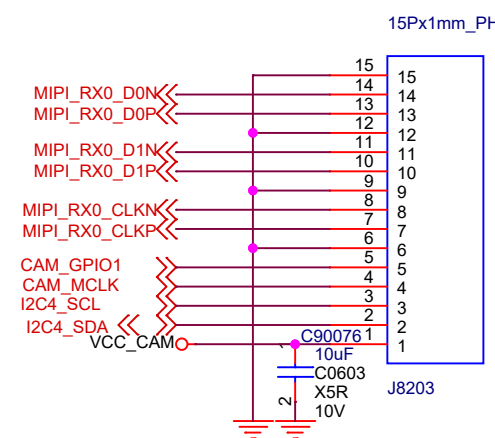
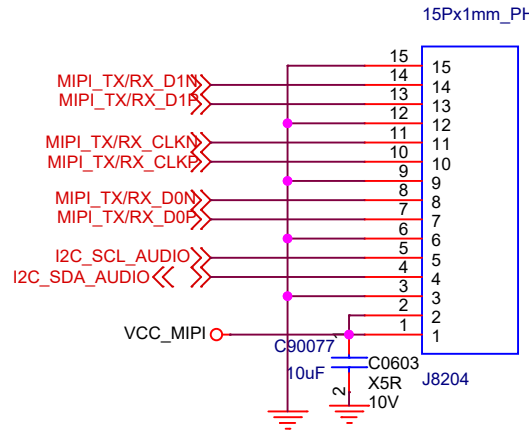
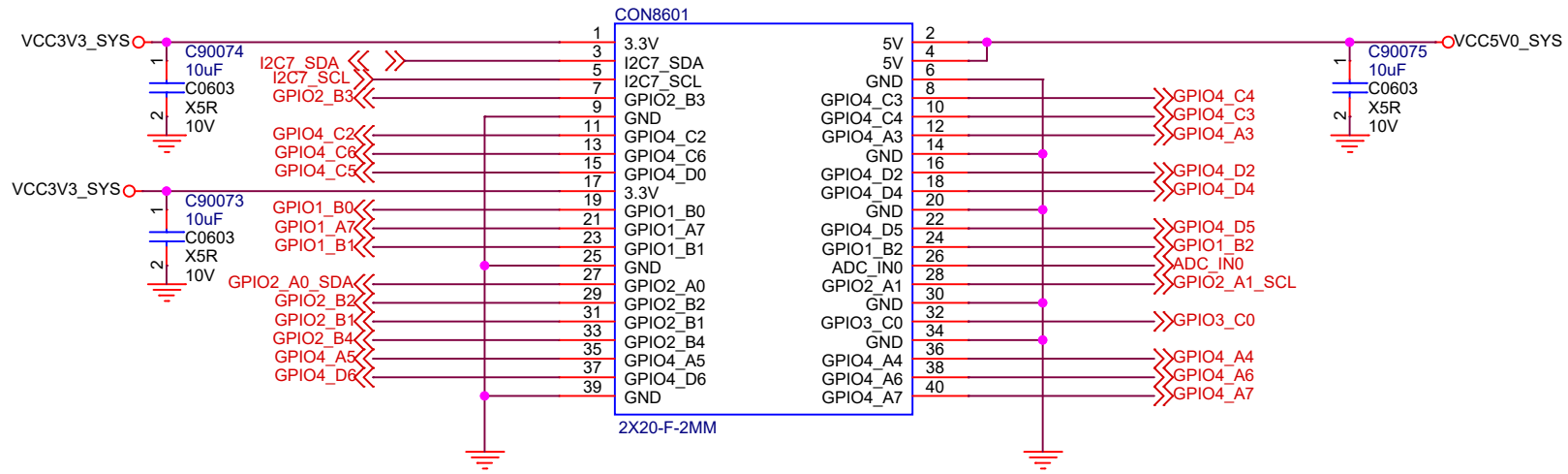



# CONTENT INDEXING

- 01.Cover
- 02.Index
- 03.Connector
- 04.ES8316
- 05.PCie NGFF/M.2
- 06.RK3399 Power
- 07.RK3399 PMU Controler
- 08.RK3399 DDR Controler
- 09.RK3399 Flash&SDMMC Controler
- 10.RK3399 USB/USIC Controler
- 11.RK3399 SARADC/Key
- 12.RK3399 DVP Interface
- 13.RK3399 Display Interface
- 14.RK3399 GPIO
- 15.RK3399 PCIE
- 16.Power-DC IN
- 17.Power-PMIC RK808-D
- 18.RTL8211F
- 19.USB3.0 OTG Port
- 20.RAM-LPDDR4(200P)
- 21.Memory-EMMC
- 22.WIFI/BT AP6255
- 23.TF Card
- 24.HDMI Output

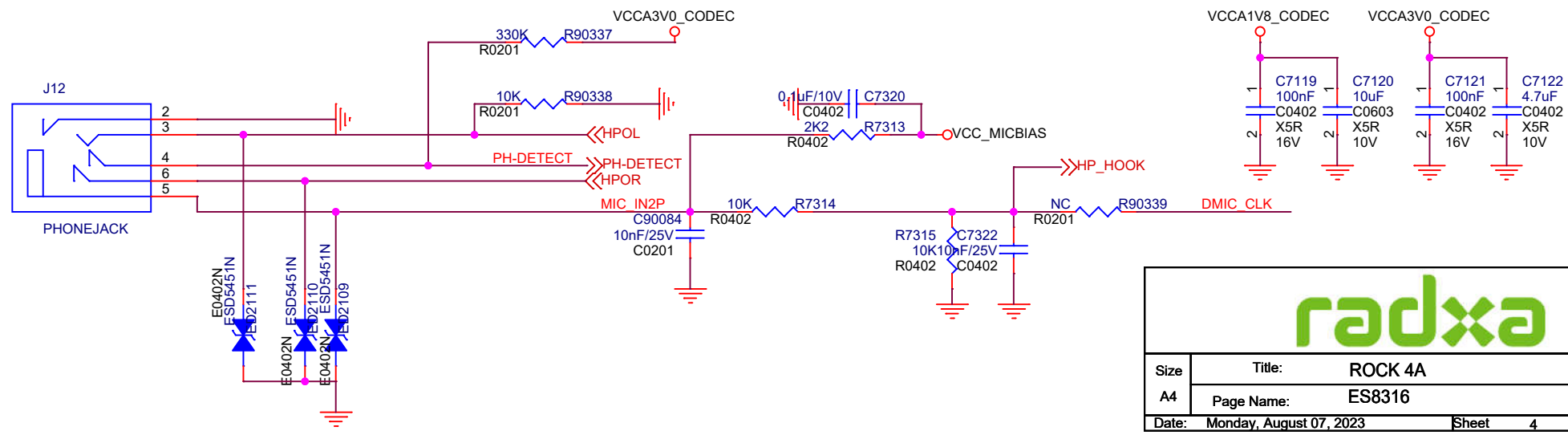
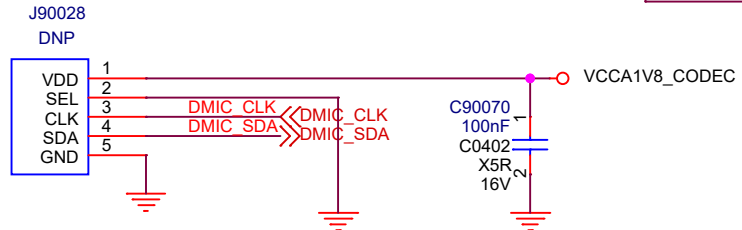
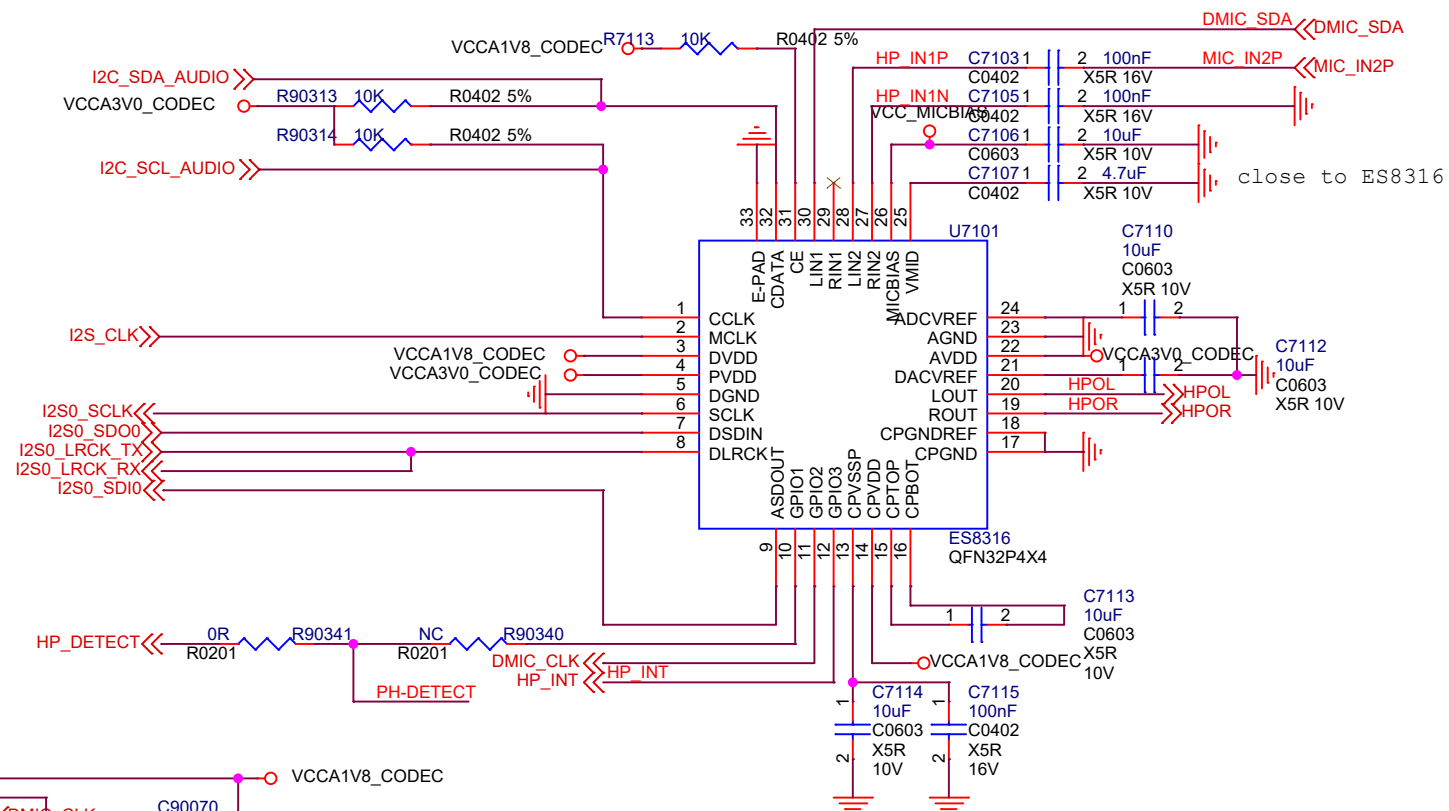


Size	Title: ROCK 4A	REV
A4	Page Name: Index	1.52
Date: Monday, August 07, 2023	Sheet 2 of 24	





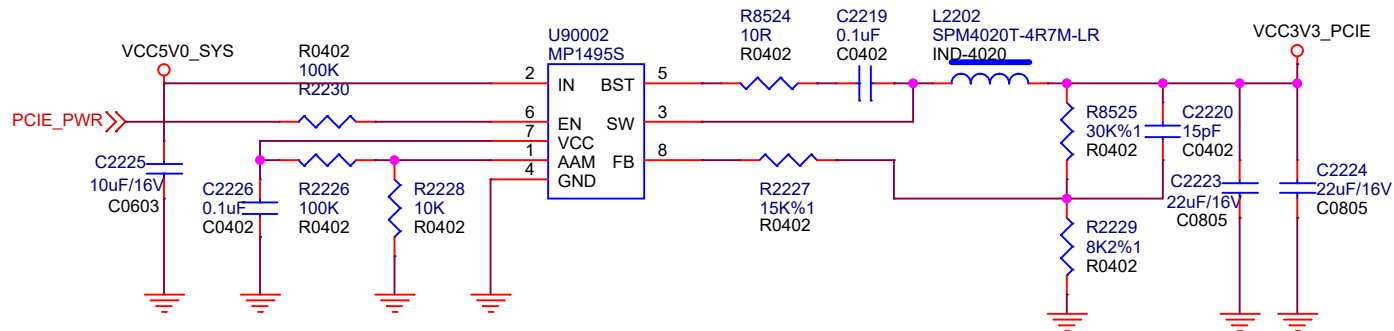
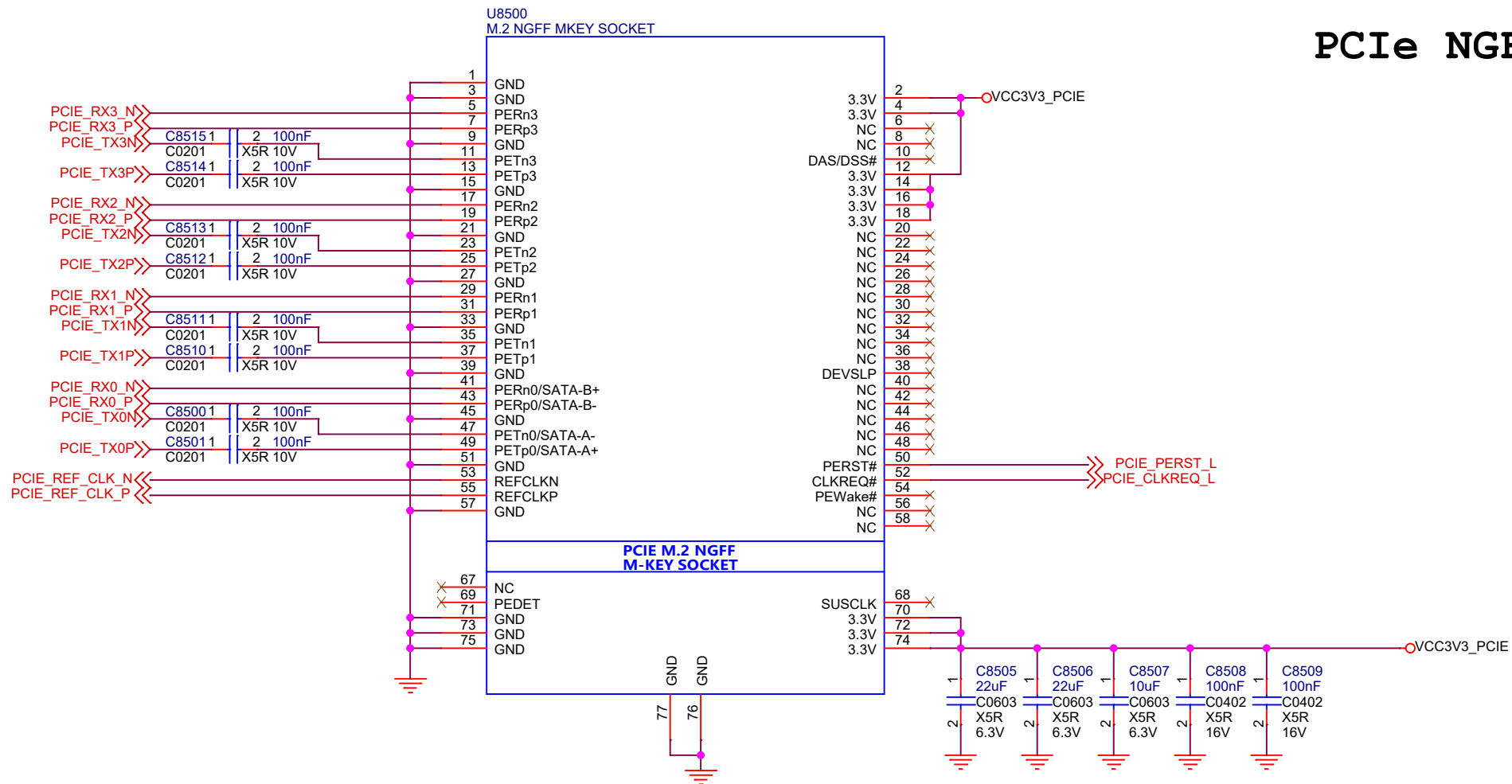
Size	Title: <b>ROCK 4A</b>	REV
A4	Page Name: <b>CONNECTOR</b>	1.52
Date: Monday, August 07, 2023	Sheet 3 of 24	



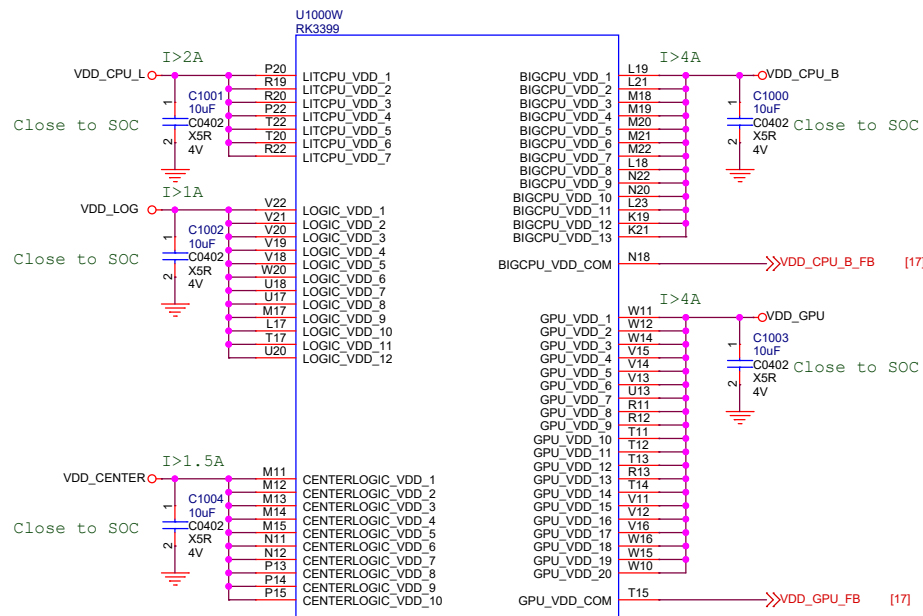
**radxa**

Size	Title: <b>ROCK 4A</b>	REV
A4	Page Name: <b>ES8316</b>	1.52
Date: <b>Monday, August 07, 2023</b>	Sheet <b>4</b> of <b>24</b>	

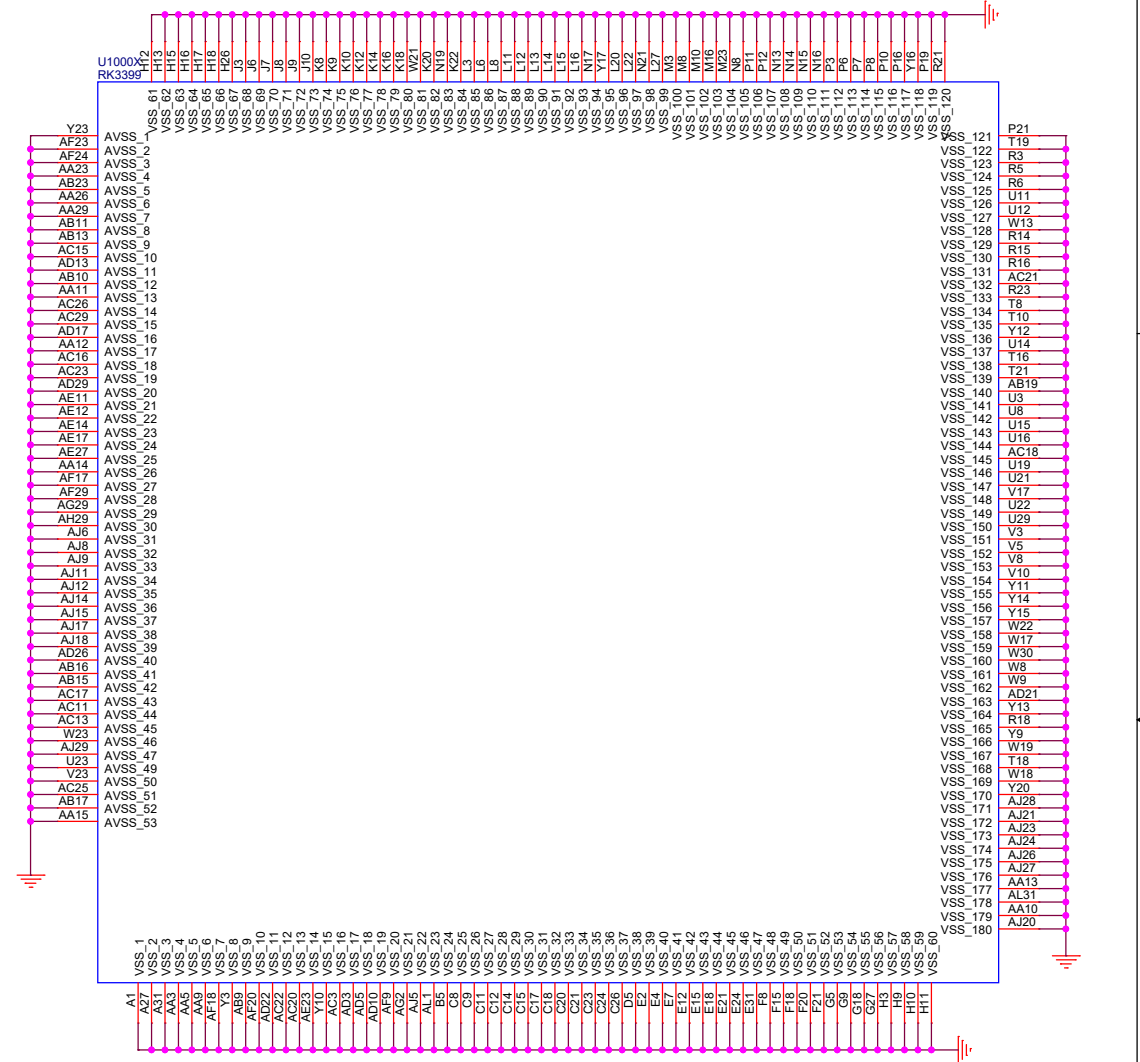
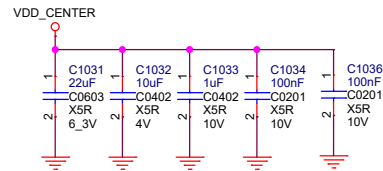
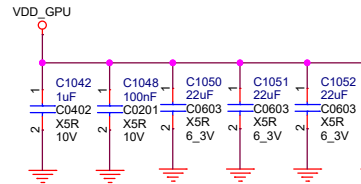
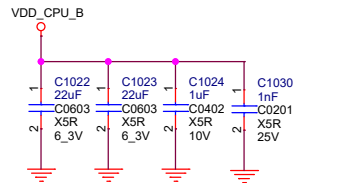
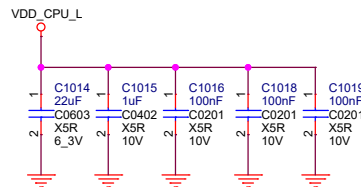
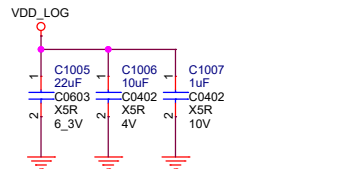
# PCIe NGFF/M.2



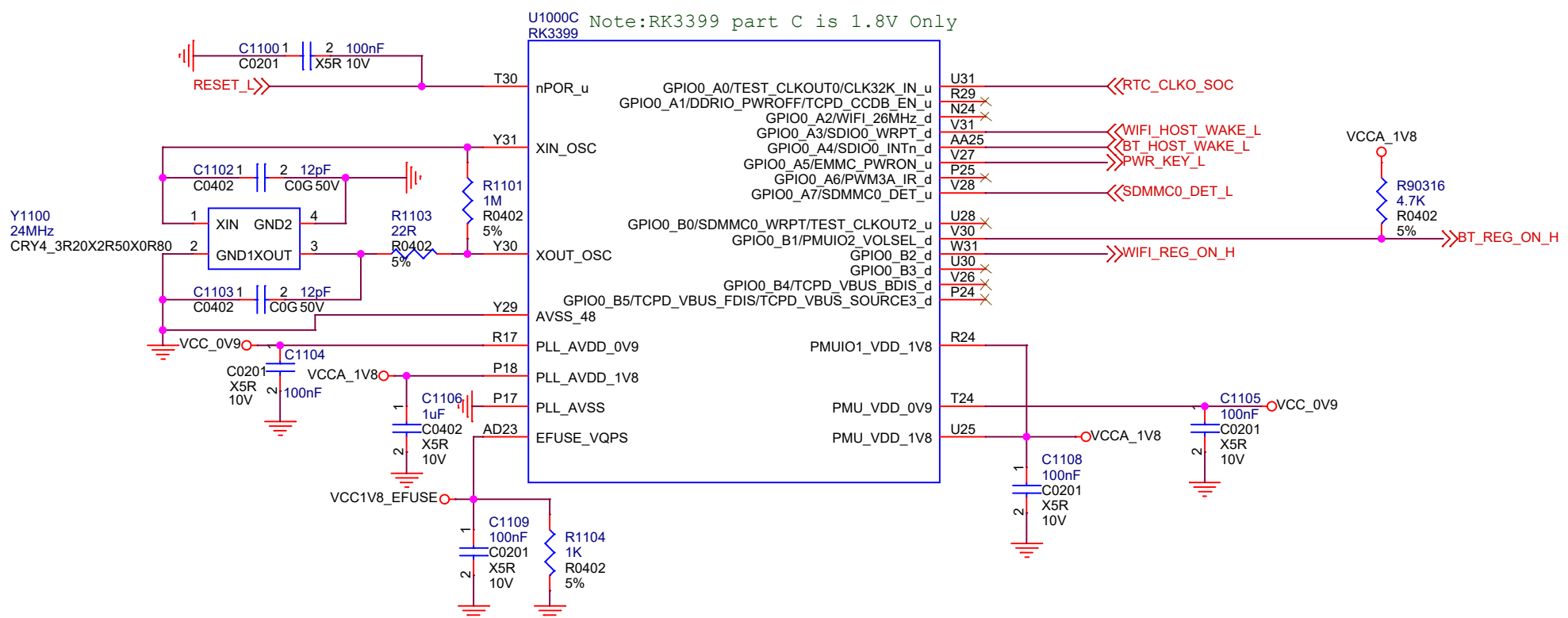
Size	Title: ROCK 4A	REV
A4	Page Name: PCIe NGFF/M.2	1.52
Date: Monday, August 07, 2023	Sheet 5 of 24	



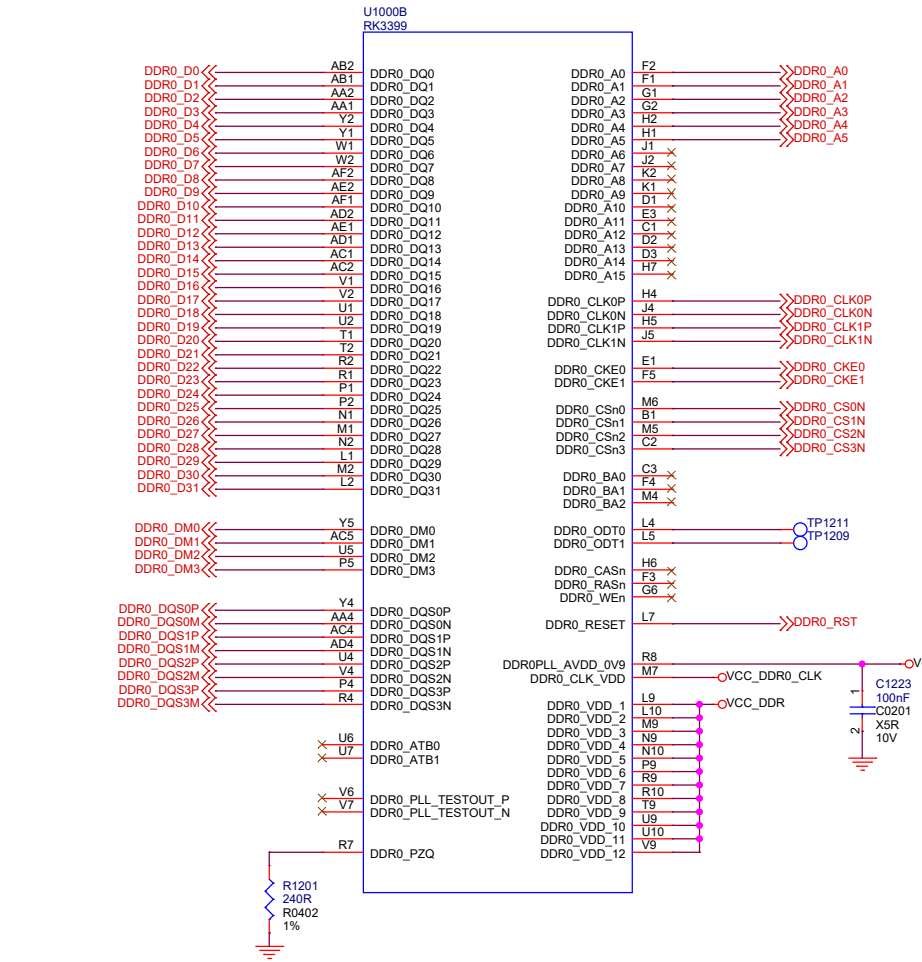
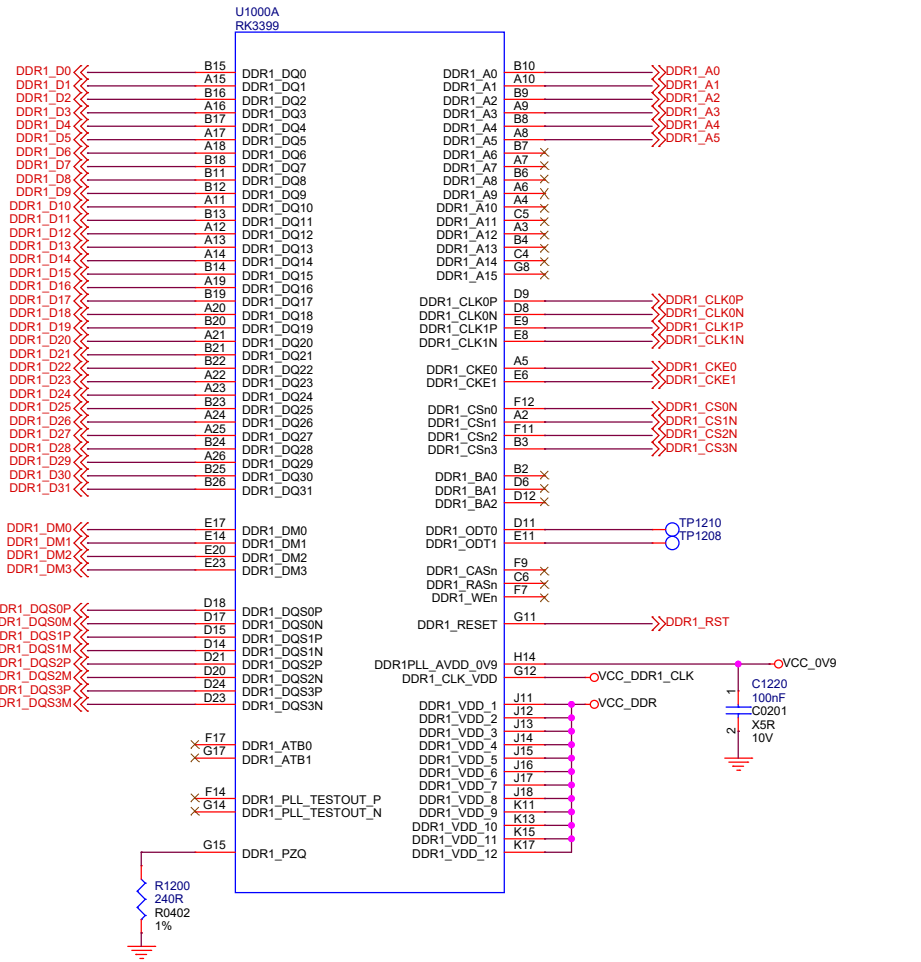
Note: Power filter CAP please place back of SOC or close to SOC



Size	Title:	ROCK 4A	REV
A3	Page Name:	RK3399 Power	1.52
Date:	Monday, August 07, 2023	Sheet	6 of 24

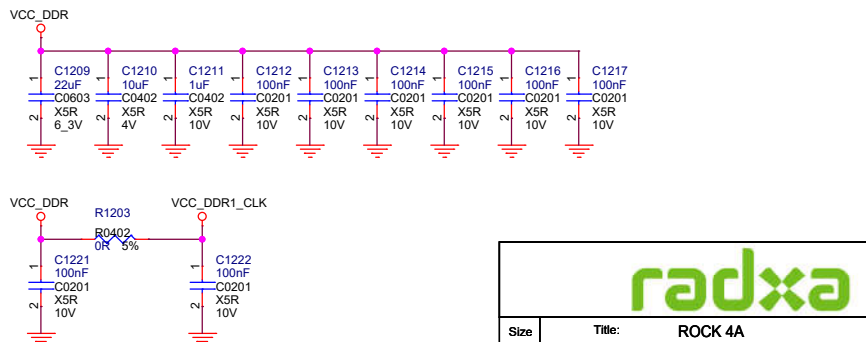
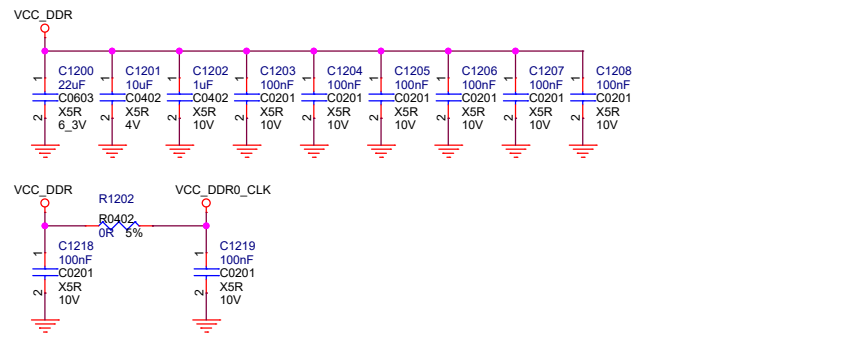


Size	Title: ROCK 4A	REV
A4	Page Name: RK3399 PMU Controller	1.52
Date: Monday, August 07, 2023	Sheet 7 of 24	



DDR FILTER Note:R1202 cannot be deleted

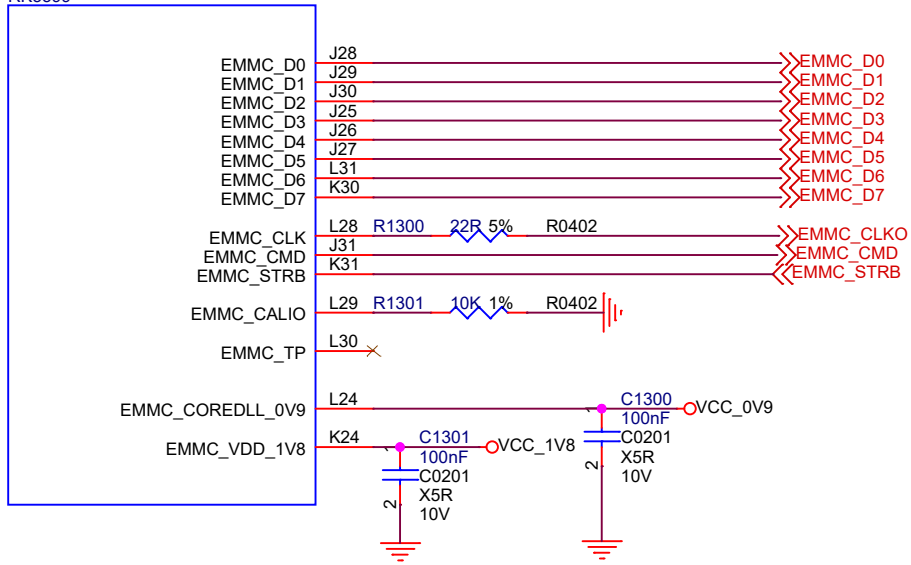
DDR FILTER Note:R1203 cannot be deleted



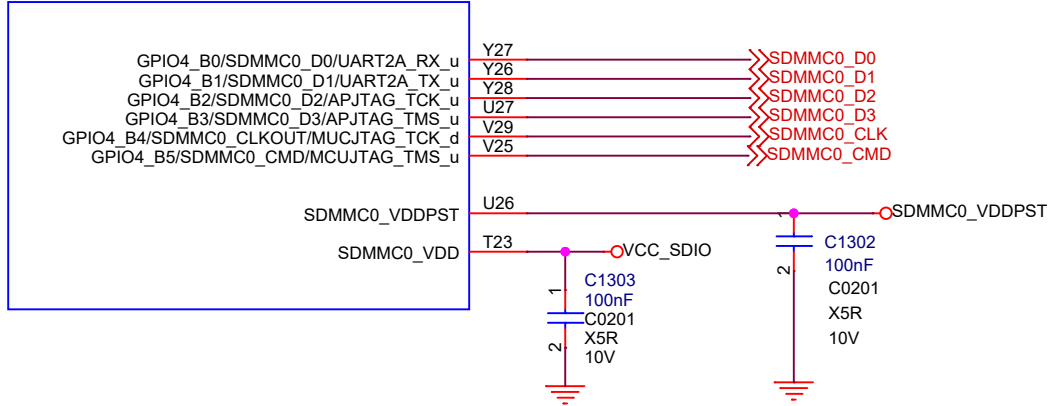
Size	Title: ROCK 4A	REV
A3	Page Name: RK3399 DDR Controller	1.52
Date: Monday, August 07, 2023	Sheet 8 of 24	



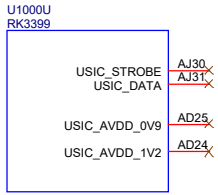
U1000H  
RK3399



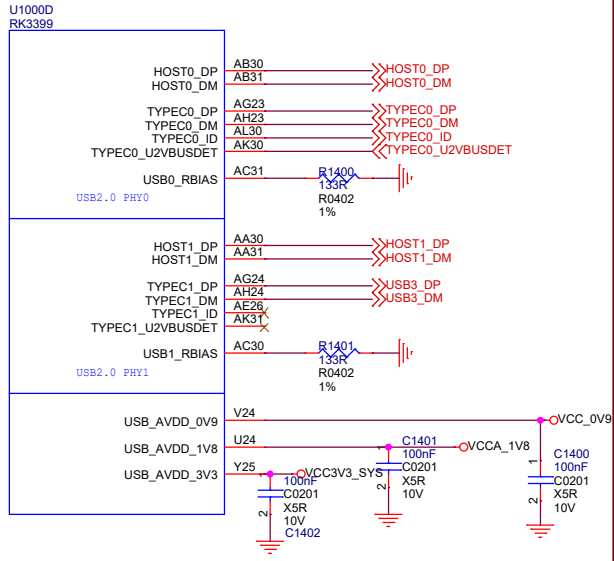
U1000F  
RK3399



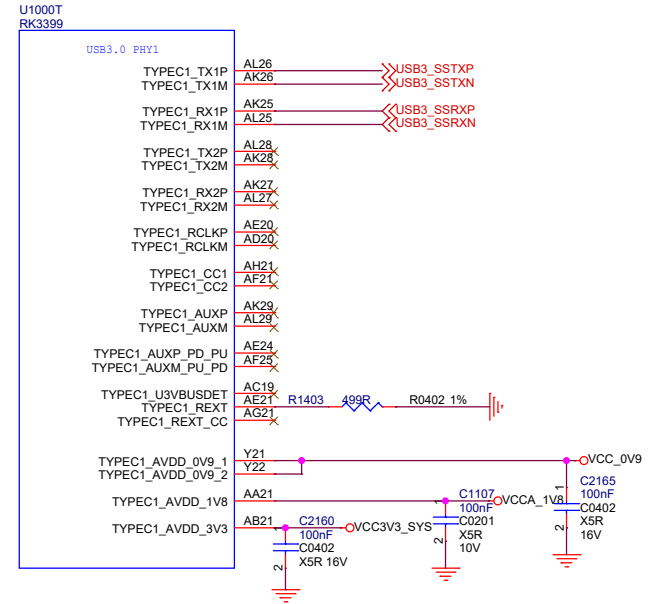
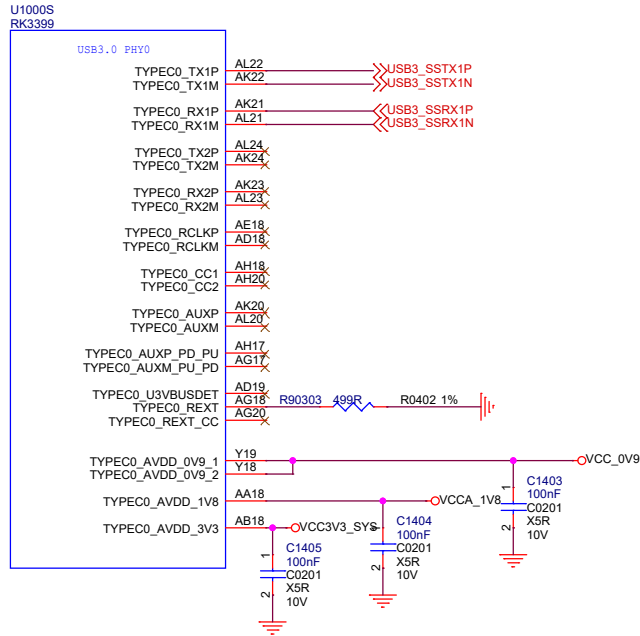
Size	Title: ROCK 4A	REV
A4	Page Name: RK3399 Flash&SDMMC Controller	1.52
Date:	Monday, August 07, 2023	Sheet 9 of 24



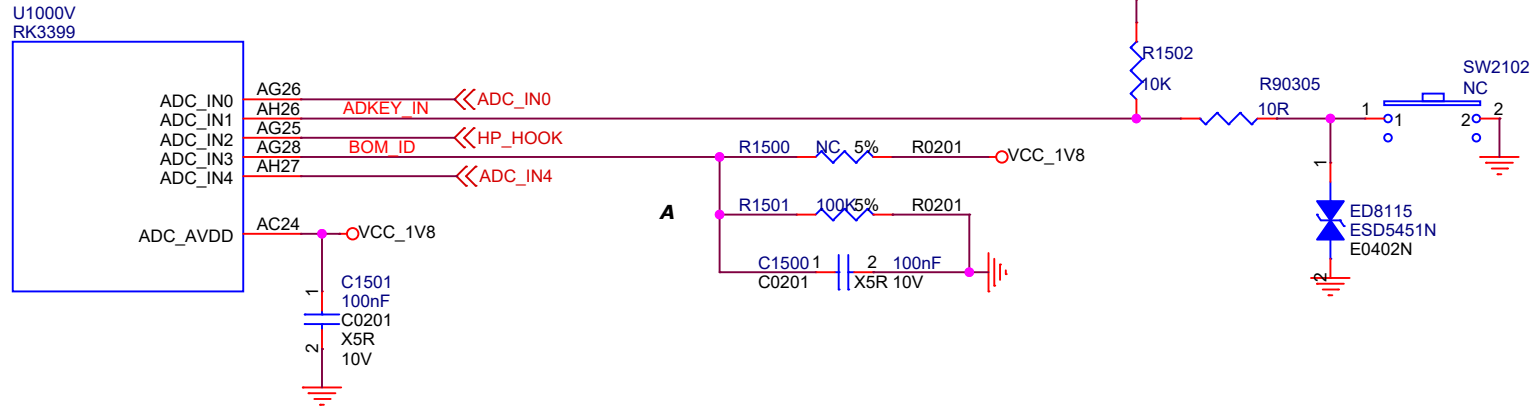
### USB2.0



### USB3.0



Size	Title: ROCK 4A	REV
A3	Page Name: RK3399 USB/USIC Controller	1.52
Date: Monday, August 07, 2023	Sheet 10 of 24	



# KEY BAORD

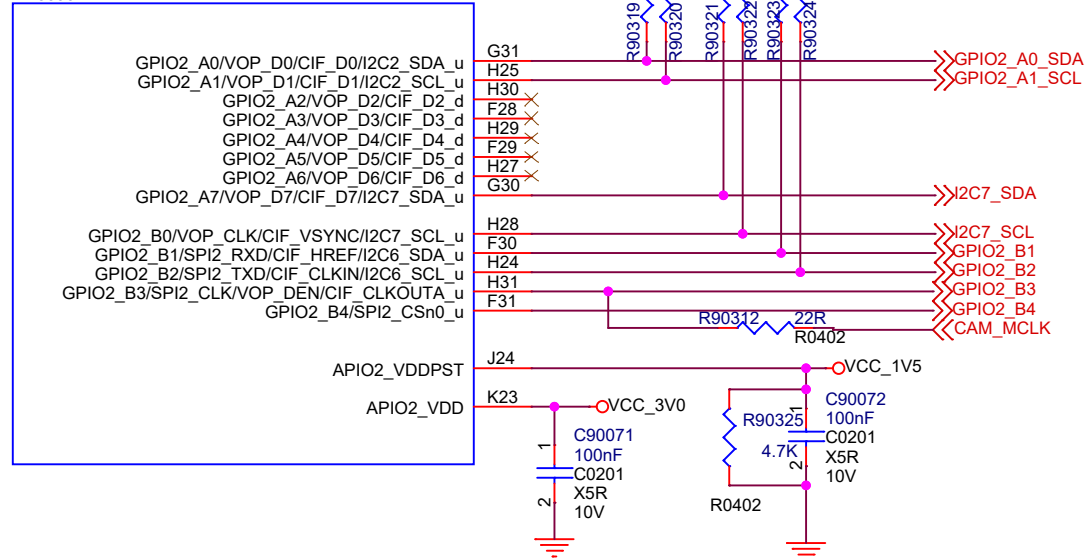
## BOM ID

Item	Rup	Rdown		VOL	VERSION
LEVEL1	DNP	100K		0V	A
LEVEL2	100K	20K		0.3V	B
LEVEL3	100K	51K		0.6V	C
LEVEL4	100K	100K		0.9V	D
LEVEL5	100K	200K		1.2V	E
LEVEL6	100K	499K		1.5V	F
LEVEL7	100K	DNP		1.8V	G

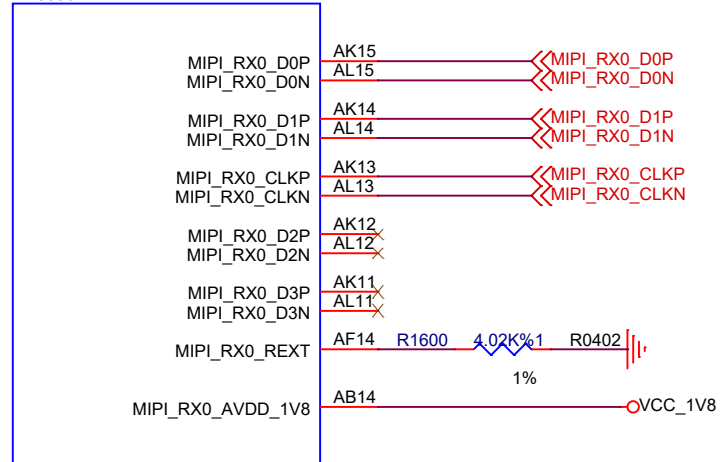


Size	Title: ROCK 4A	REV
A4	Page Name: RK3399 SARADC/Key	1.52
Date: Monday, August 07, 2023	Sheet 11 of 24	

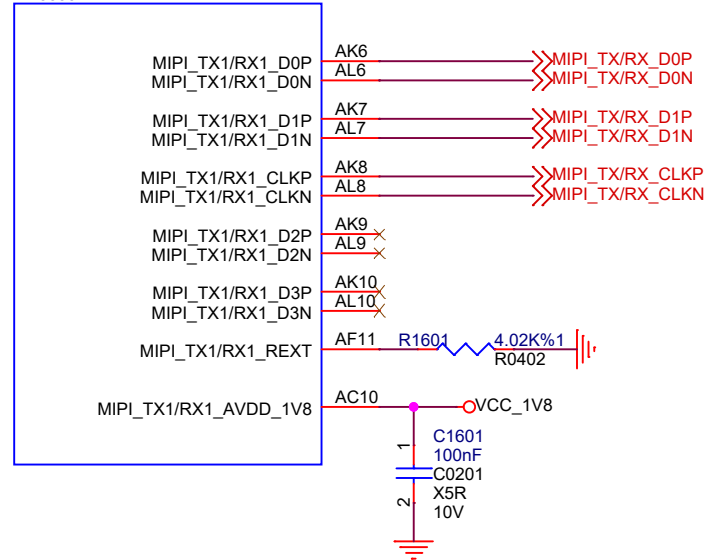
U1000L  
RK3399



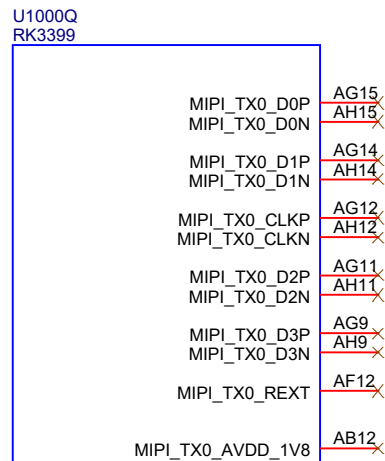
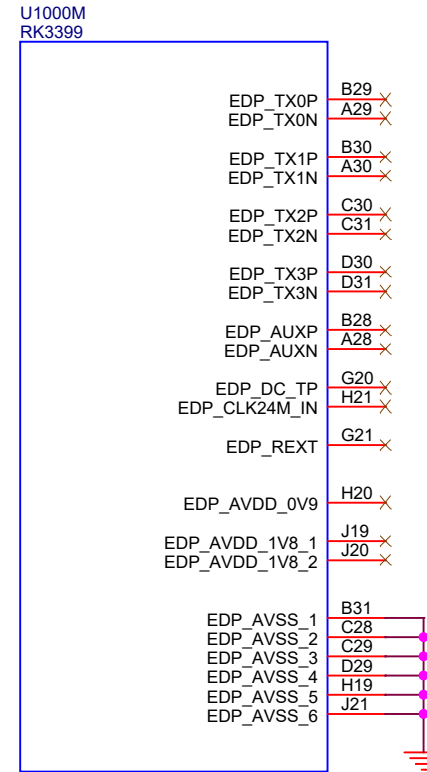
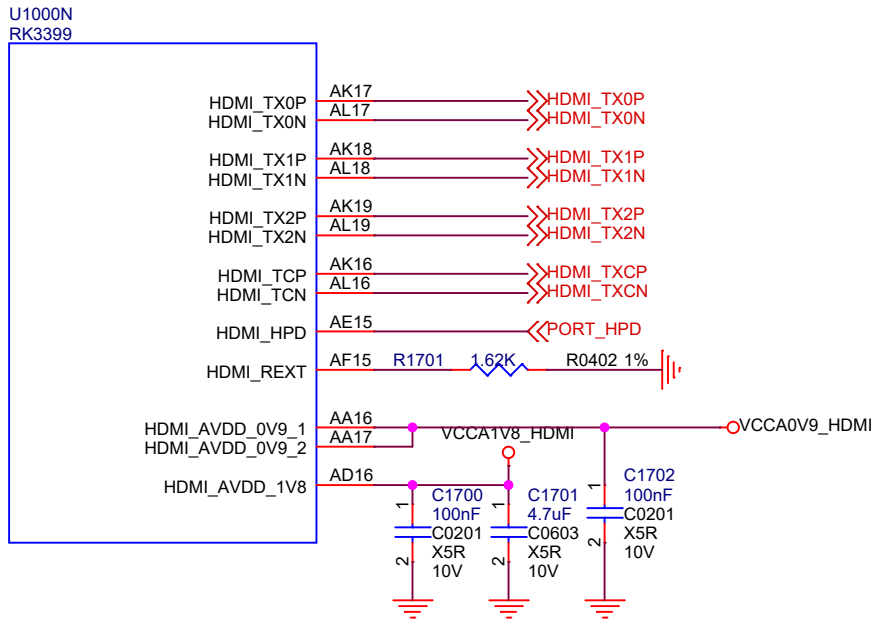
U1000R  
RK3399



U1000P  
RK3399

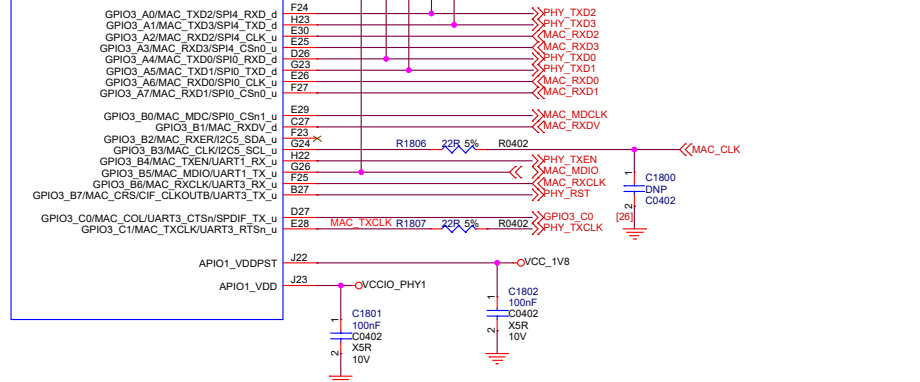


Size	Title: ROCK 4A	REV
A4	Page Name: RK3399 DVP Interface	1.52
Date: Monday, August 07, 2023	Sheet 12 of 24	

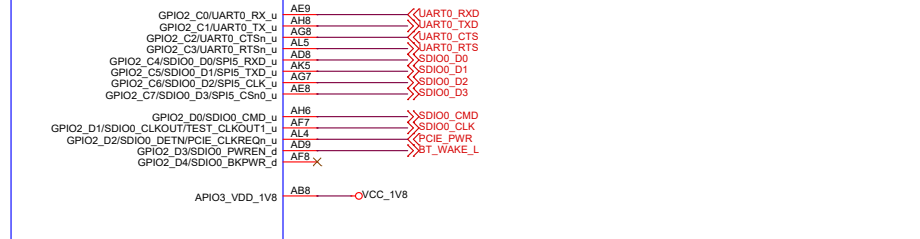


Size	Title: ROCK 4A	REV
A4	Page Name: RK3399 Display Interface	1.52
Date: Monday, August 07, 2023	Sheet 13 of 24	

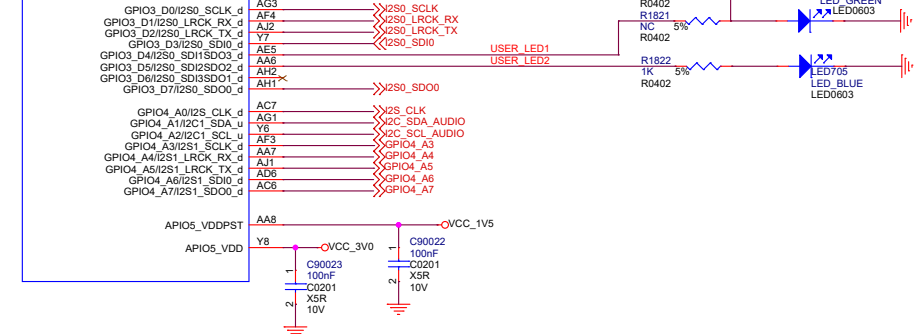
U1000I Note:RK3399 part I is 3.3V only



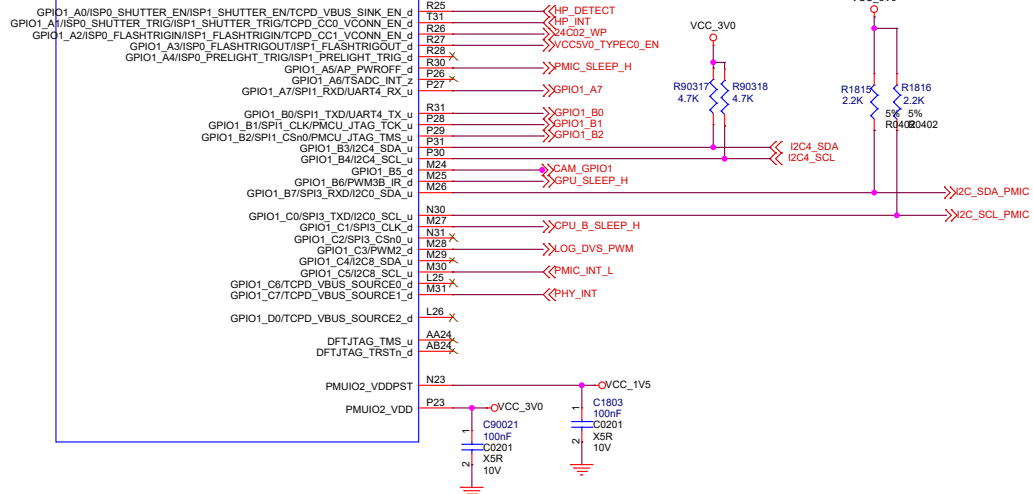
U1000G Note:RK3399 part G is 1.8V only



U1000J Note:RK3399 part J is 1.8V/3.0V mode

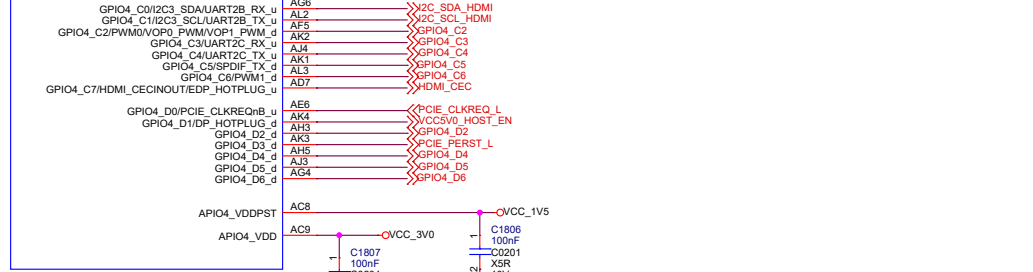


U1000E Note:RK3399 part E is 1.8V/3.0V mode

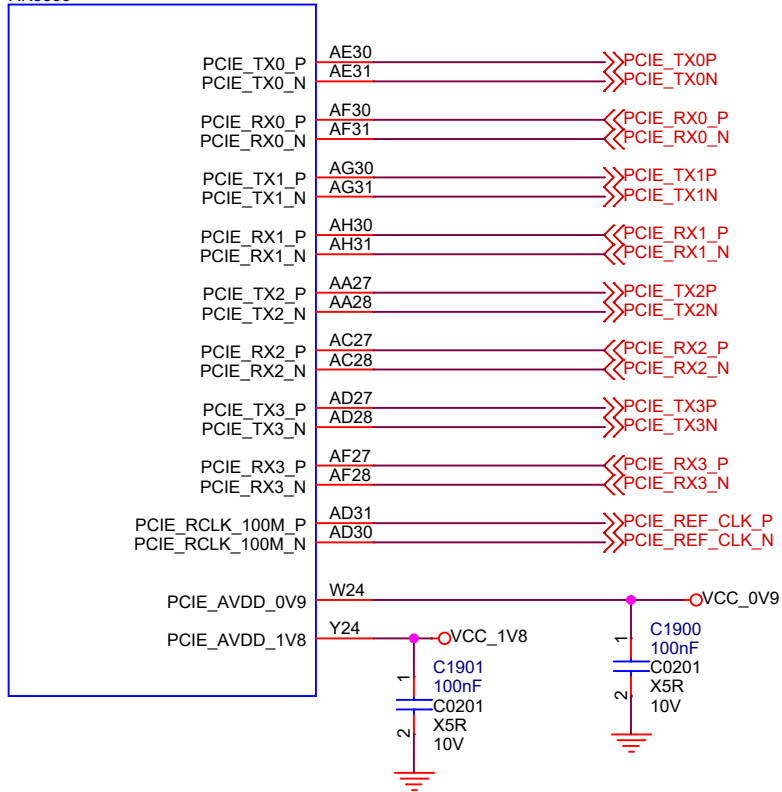


1.8V Only	VDDPST=VDDIO=1.8V
3.3V Only	VDDPST=1.8V, VDDIO=3.3V
other	3.0V mode: VDDPST=1.5V, VDDIO=3.0V 1.8V mode: VDDPST=1.8V, VDDIO=1.8V

U1000K Note:RK3399 part k is 1.8V/3.0V mode

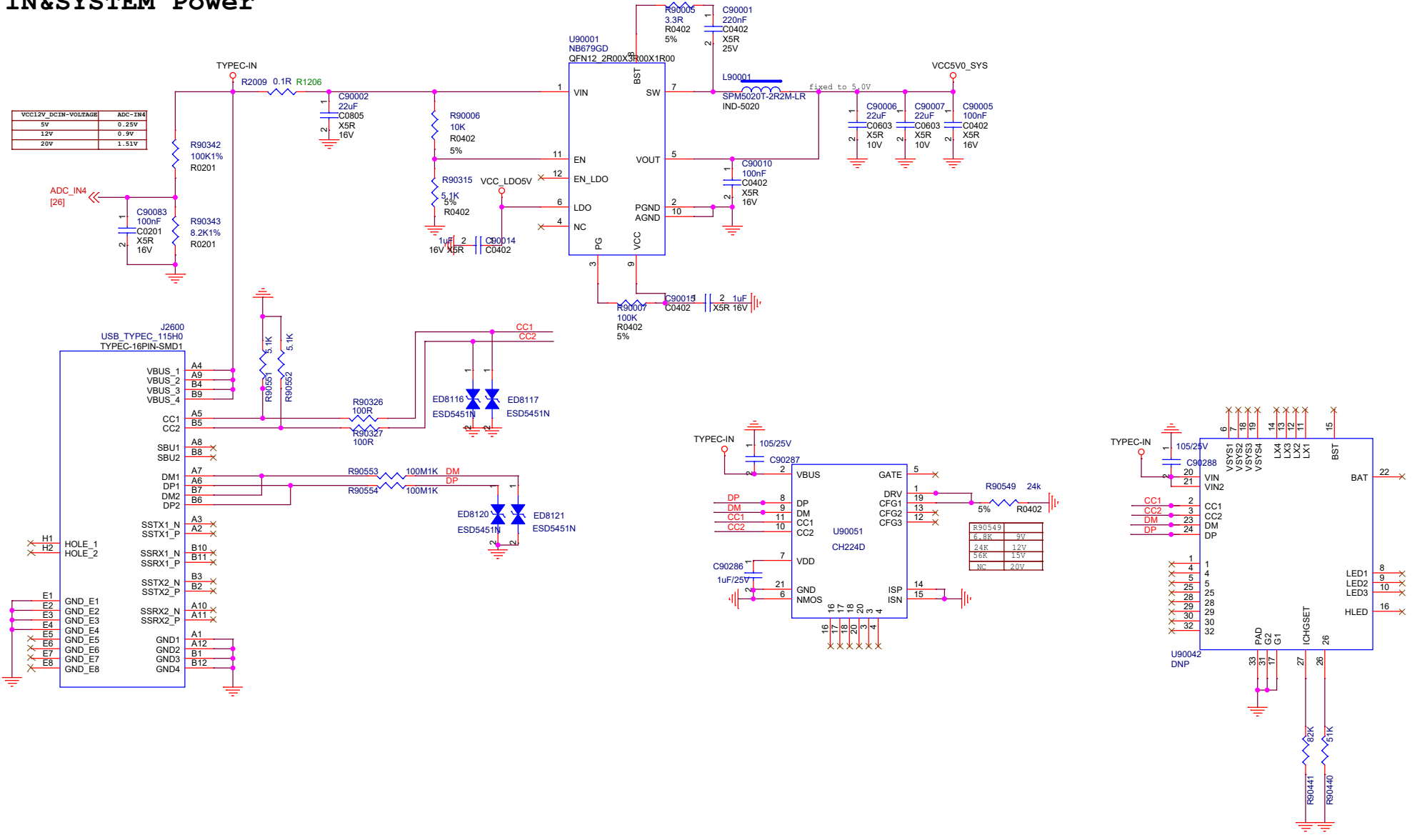


U10000  
RK3399




Size	Title: ROCK 4A	REV
A4	Page Name: RK3399 PCIE	1.52
Date: Monday, August 07, 2023	Sheet 15 of 24	

# DC IN&SYSTEM Power



VCC12V_DCIN-VOLTAGE	ADC_IN4
5V	0.25V
12V	0.9V
20V	1.51V

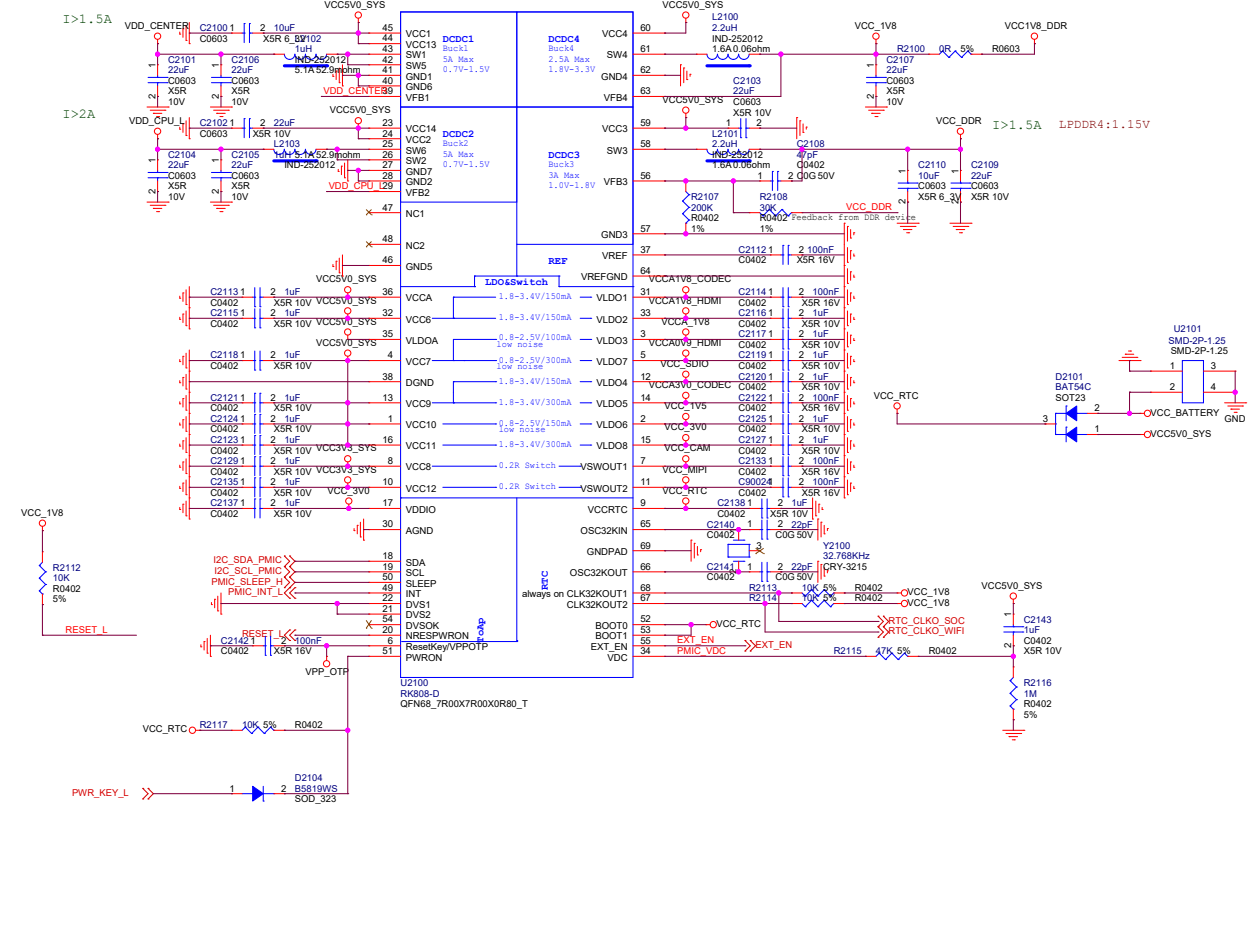
R90549	9V
4.8K	9V
24K	12V
56K	15V
NC	20V



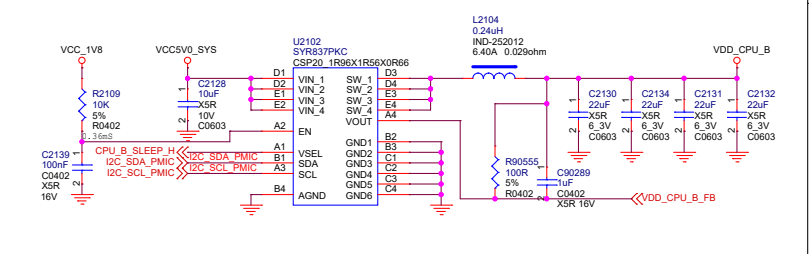
Size	Title: <b>ROCK 4A</b>	REV
A3	Page Name: <b>Power-DC IN</b>	1.52
Date: <b>Monday, August 07, 2023</b>	Sheet <b>16</b> of <b>24</b>	



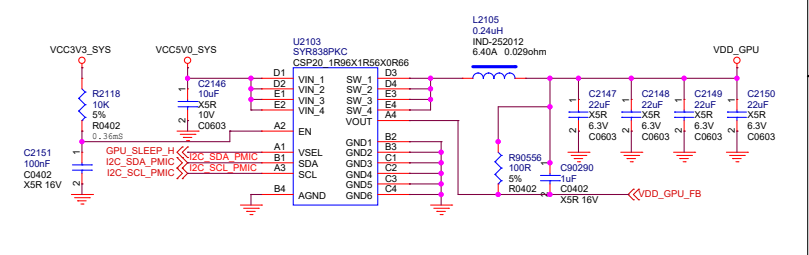
# PMIC



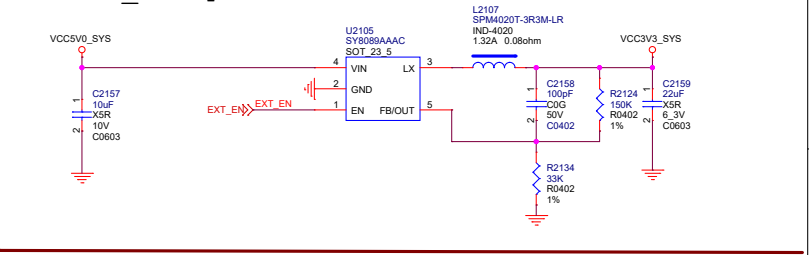
## VDD\_CPU\_B power



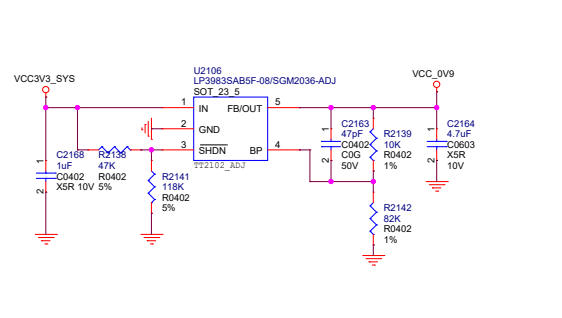
## VDD\_GPU power



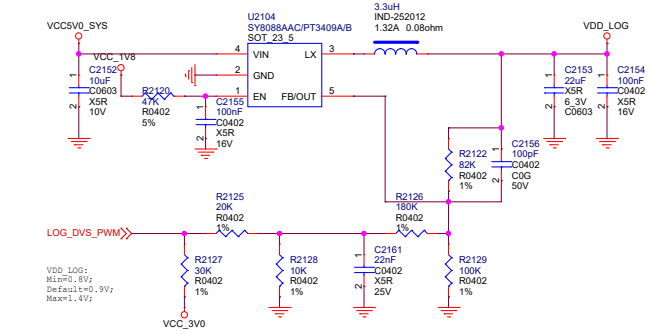
## VCC3V3\_SYS power



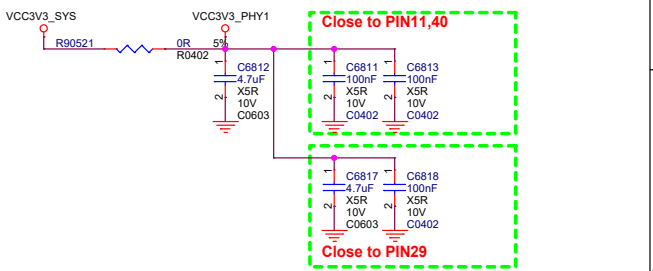
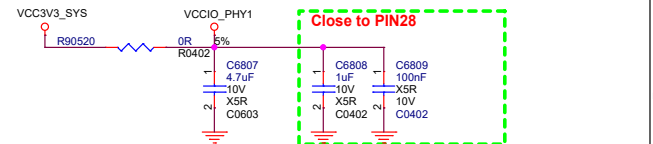
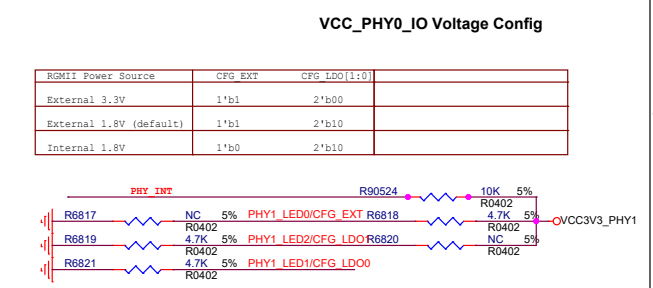
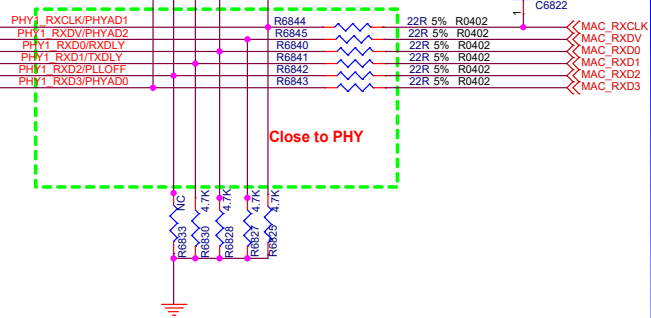
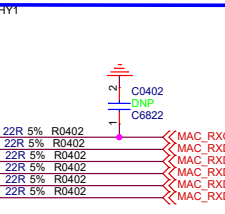
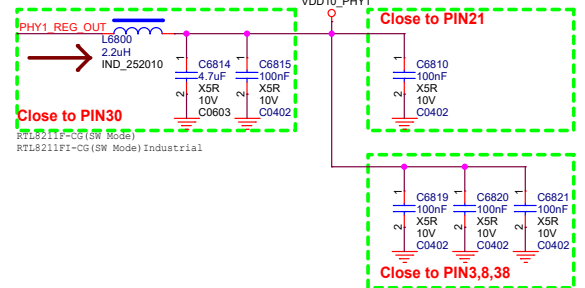
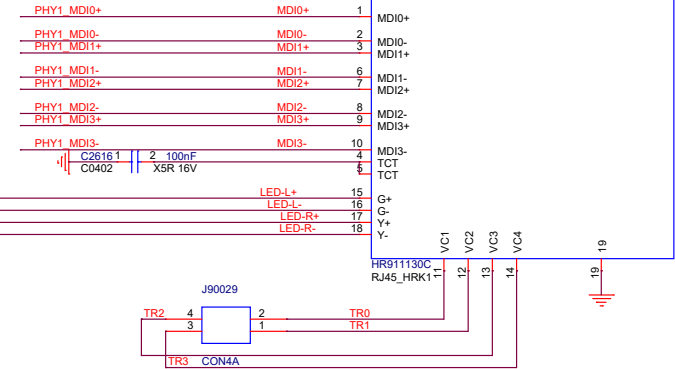
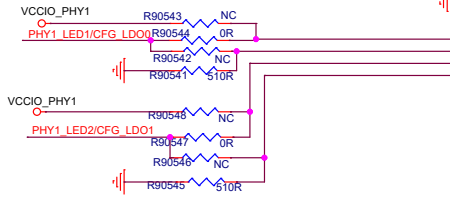
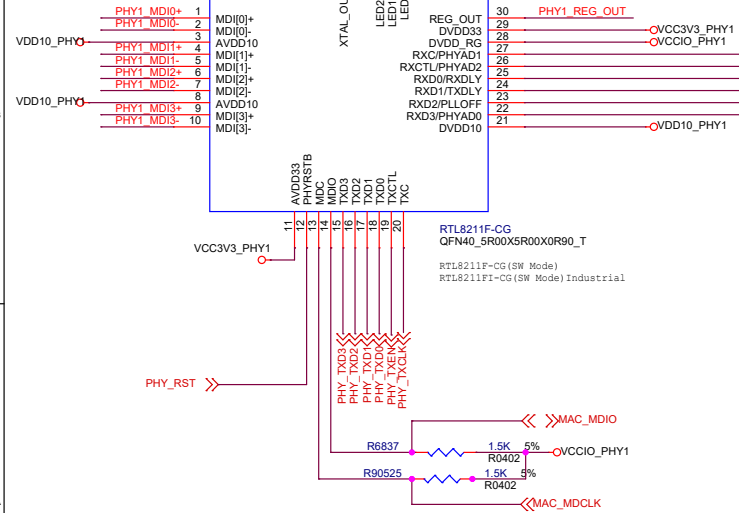
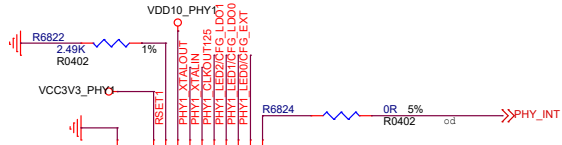
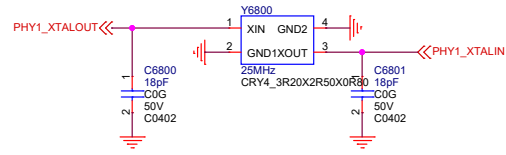
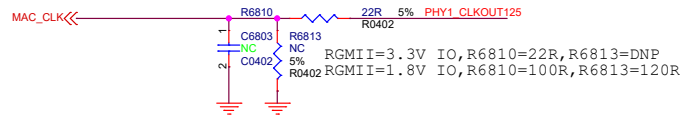
## VCC0V9 power

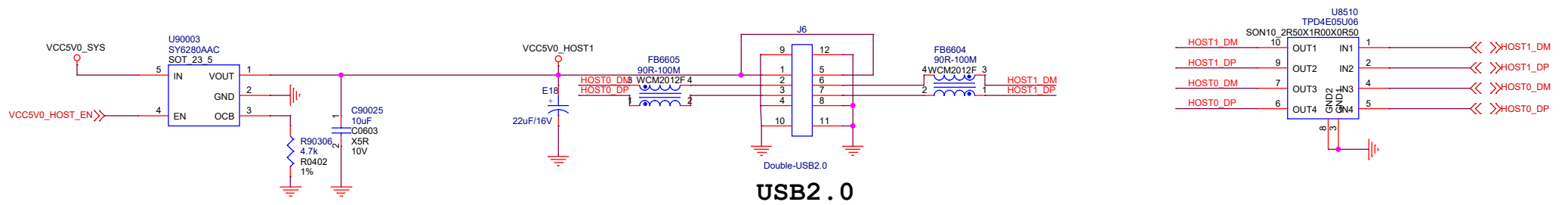
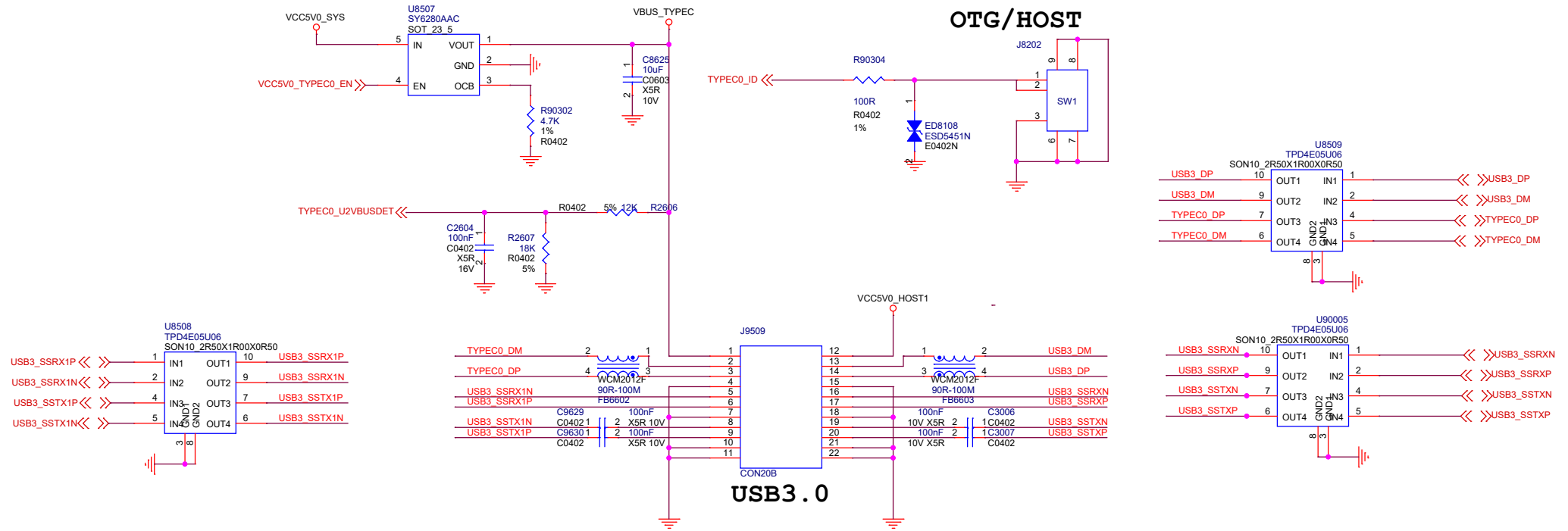


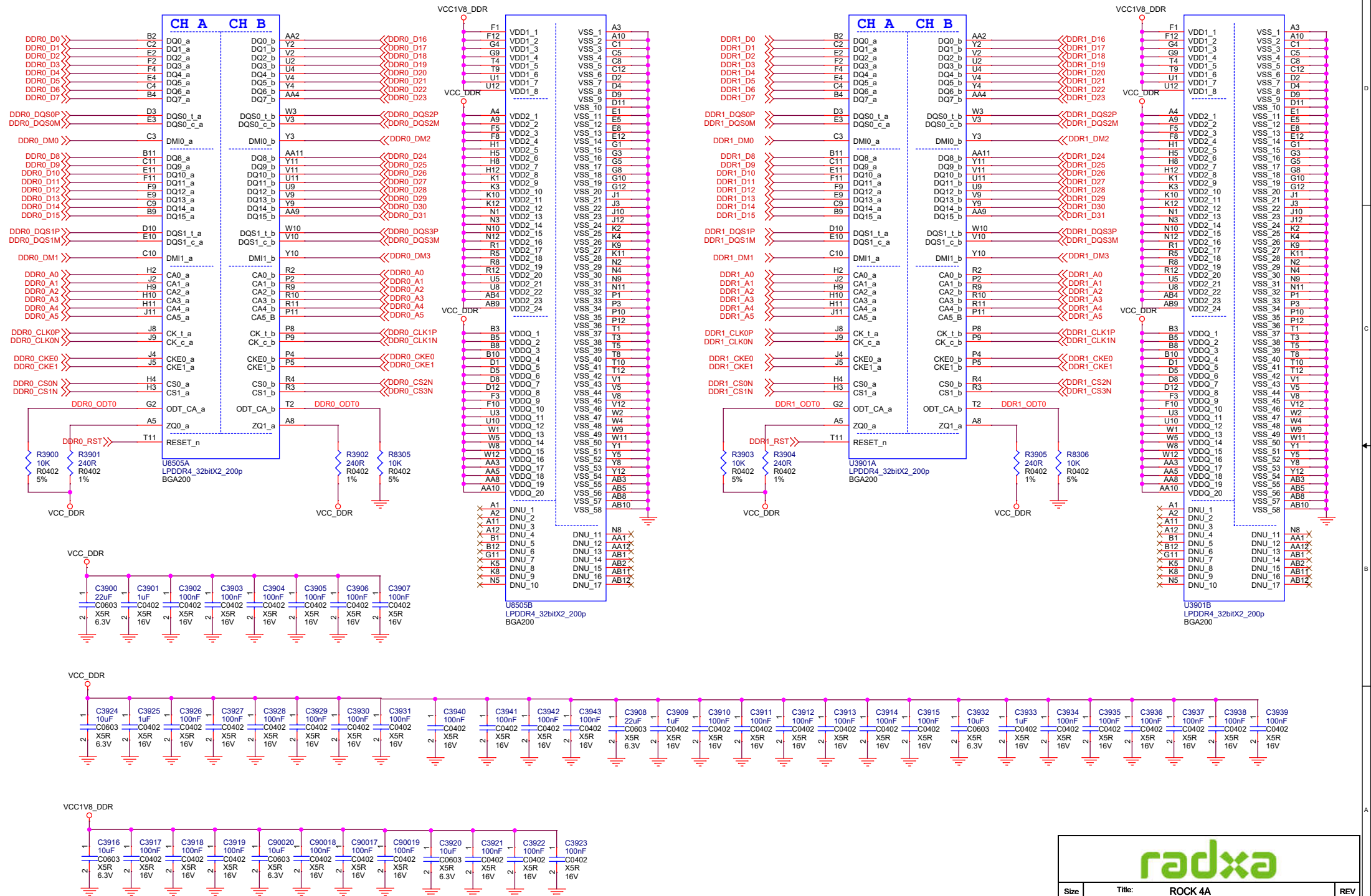
## VDD\_LOG power



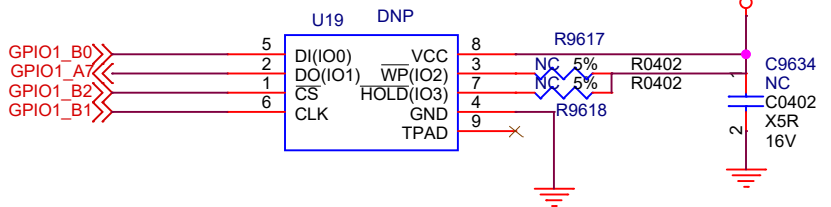
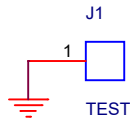
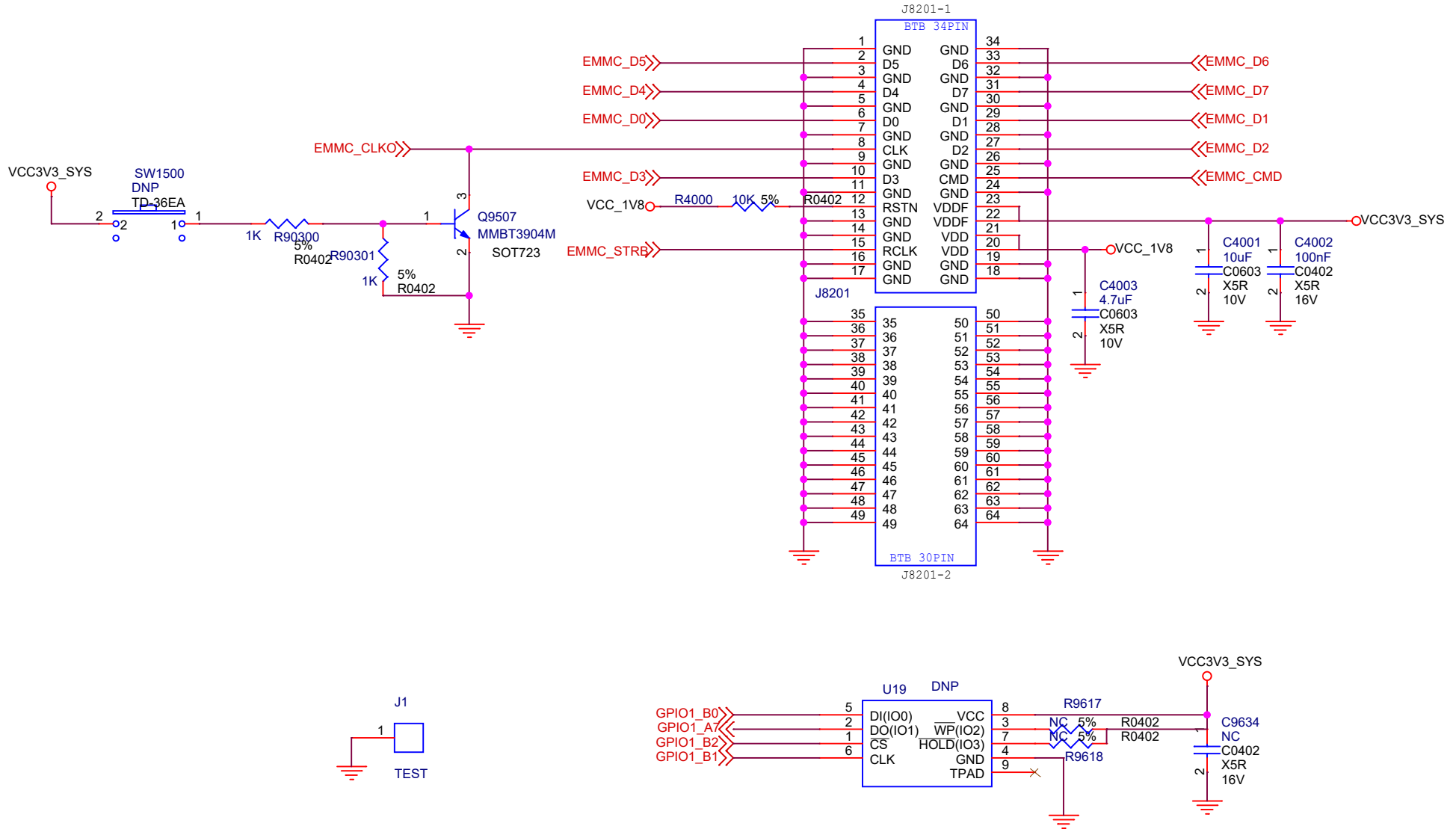
Size	Title:	ROCK 4A	REV
Customer	Page Name:	Power-PMIC RK808-D	1.52
Date:	Monday, August 07, 2023	Sheet	17 of 24



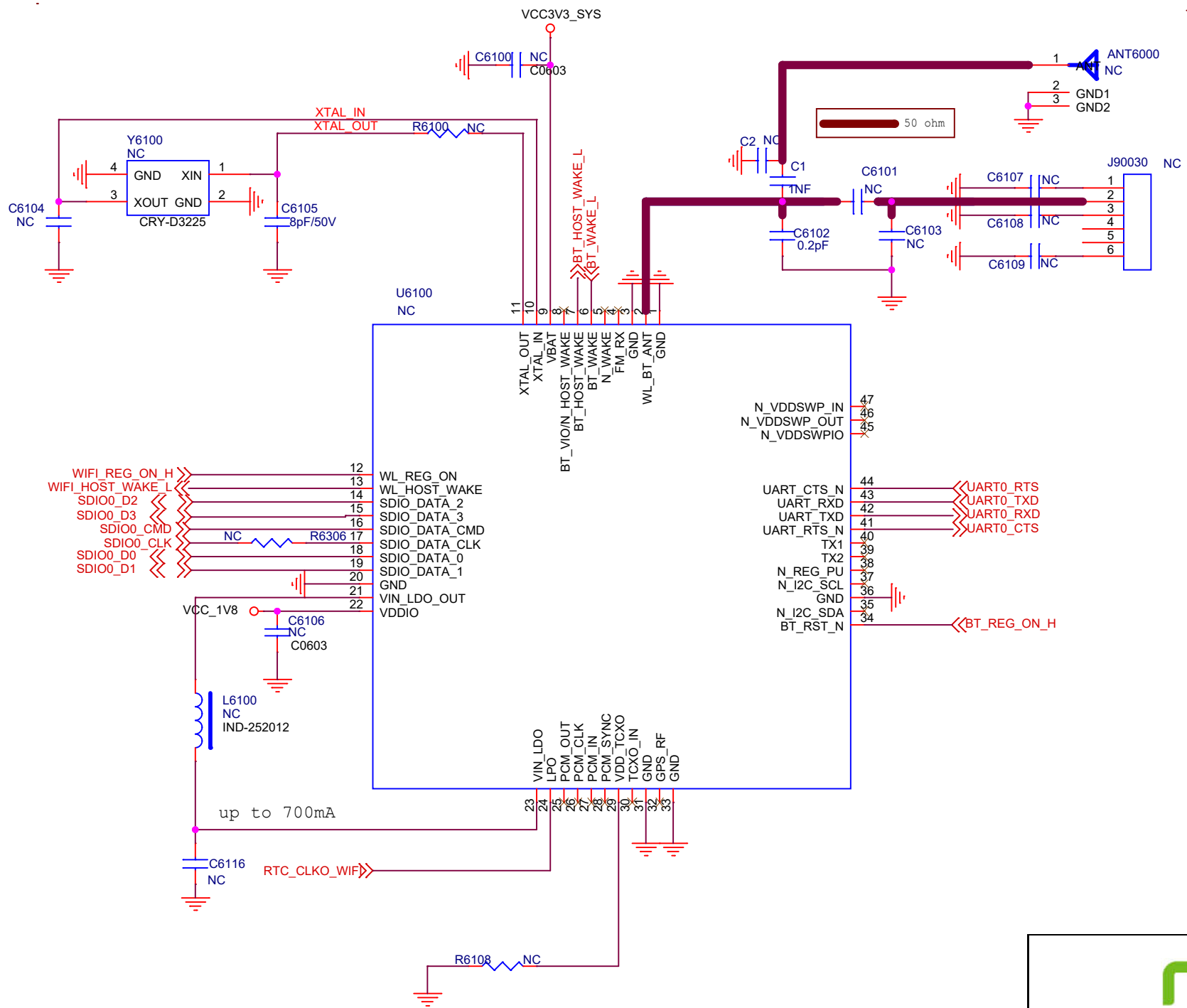




# eMMC

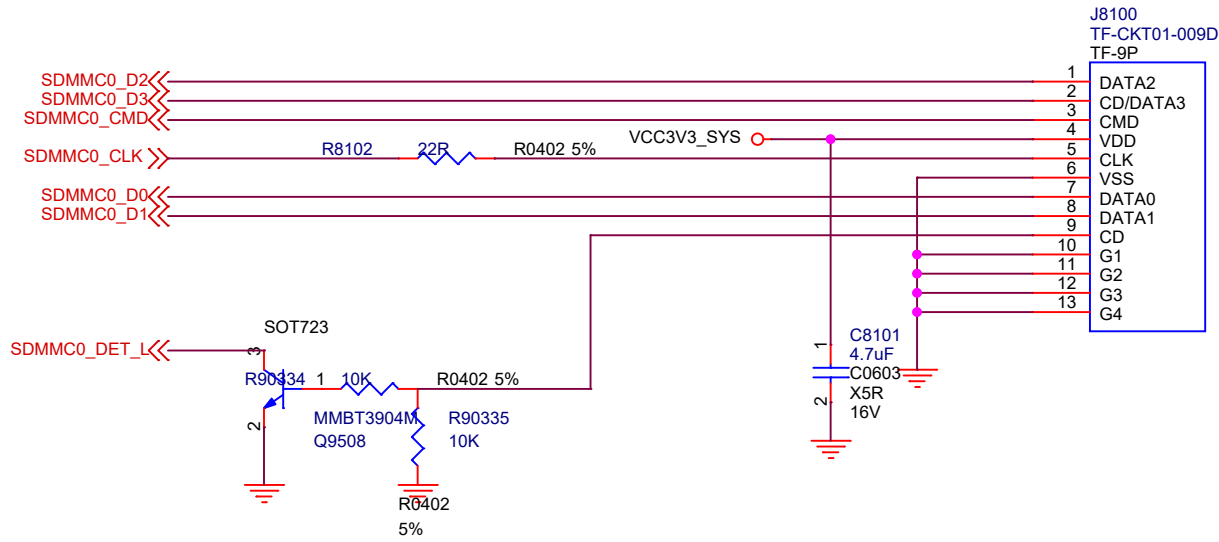


Size	Title: ROCK 4A	REV
A4	Page Name: Memory-eMMC	1.52
Date: Monday, August 07, 2023	Sheet 21 of 24	



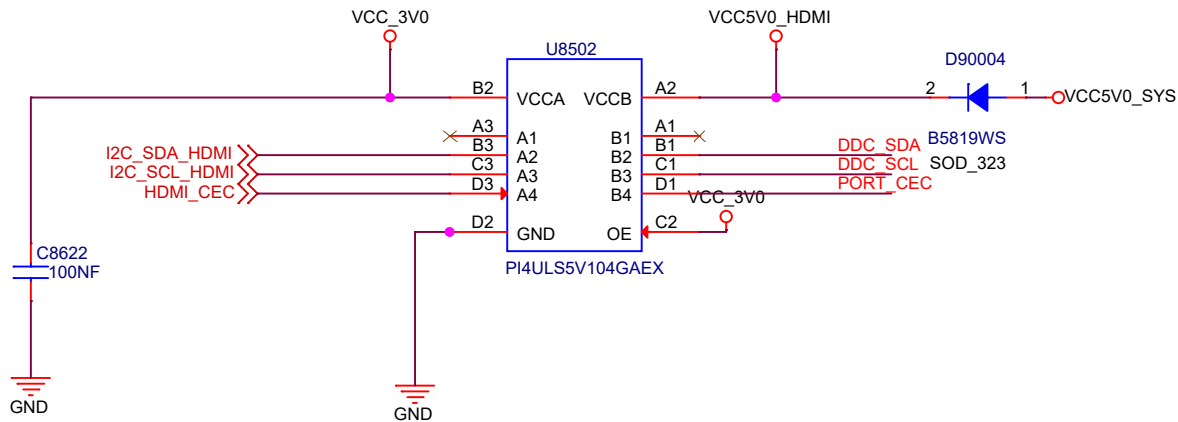
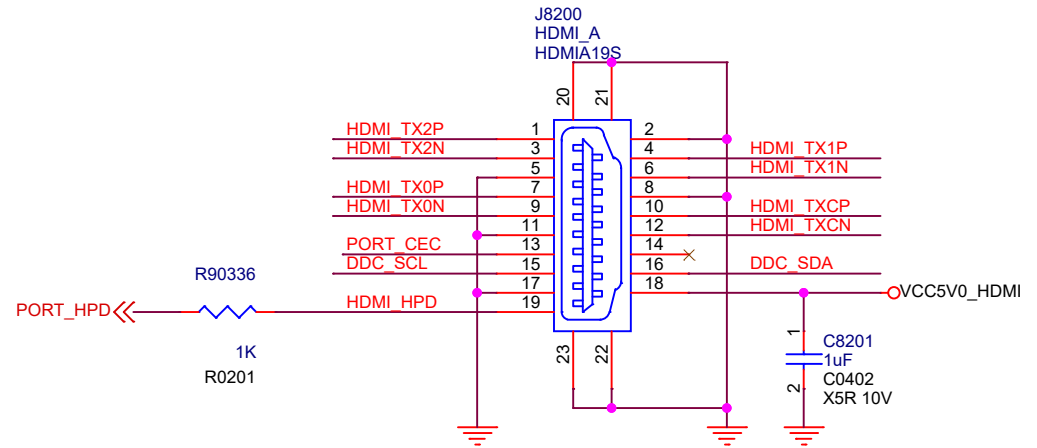
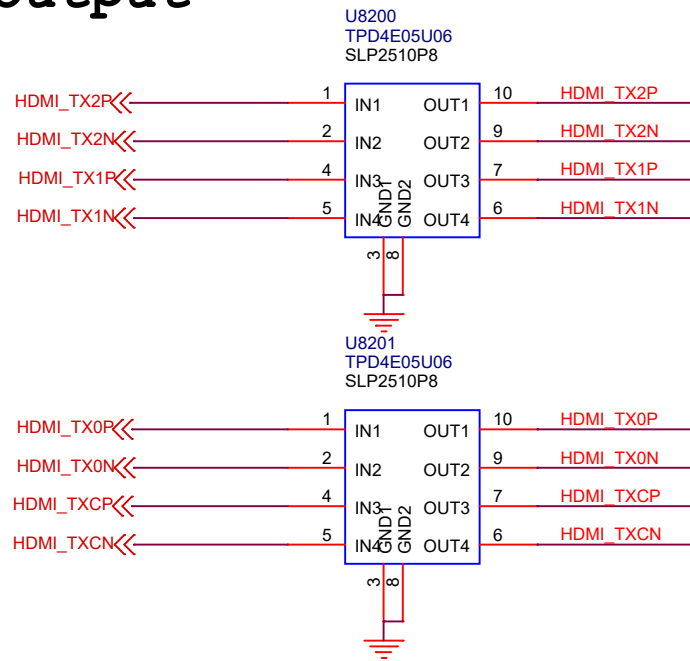
Size	Title: ROCK 4A	REV
A4	Page Name: WIFI/BT AP6255	1.52
Date: Monday, August 07, 2023	Sheet 22 of 24	

# TF CARD



Size	Title: ROCK 4A	REV
A4	Page Name: TF Card	1.52
Date: Monday, August 07, 2023	Sheet 23 of 24	

# HDMI Output



Size	Title: ROCK 4A	REV
A4	Page Name: HDMI Output	1.52
Date: Monday, August 07, 2023		Sheet 24 of 24