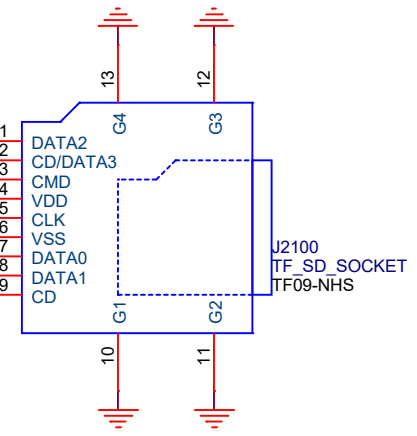
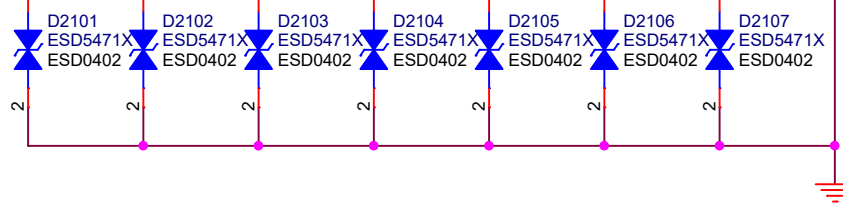
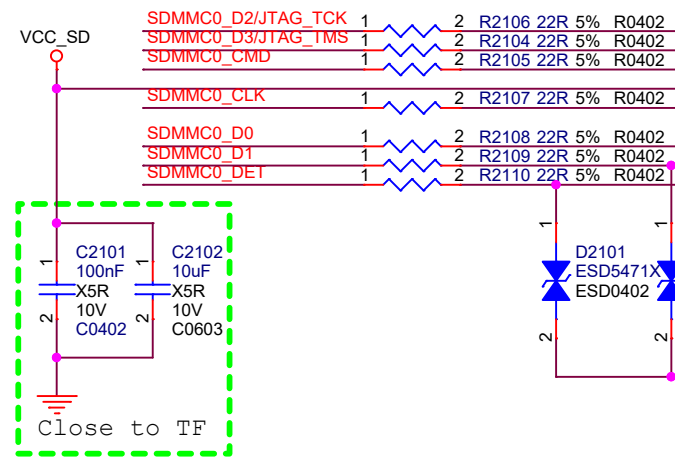
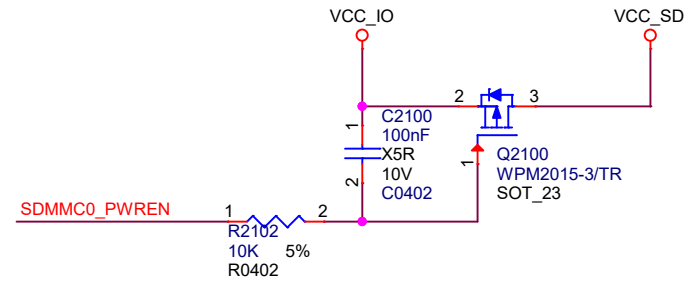


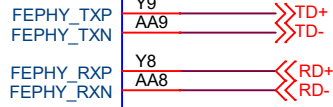
- >>SDMMC0\_D0
- >>SDMMC0\_D1
- >>SDMMC0\_D2/JTAG\_TCK
- >>SDMMC0\_D3/JTAG\_TMS
- >>SDMMC0\_CMD
- >>SDMMC0\_CLK
- <<SDMMC0\_DET
- >>SDMMC0\_PWREN



TF Card

U800J

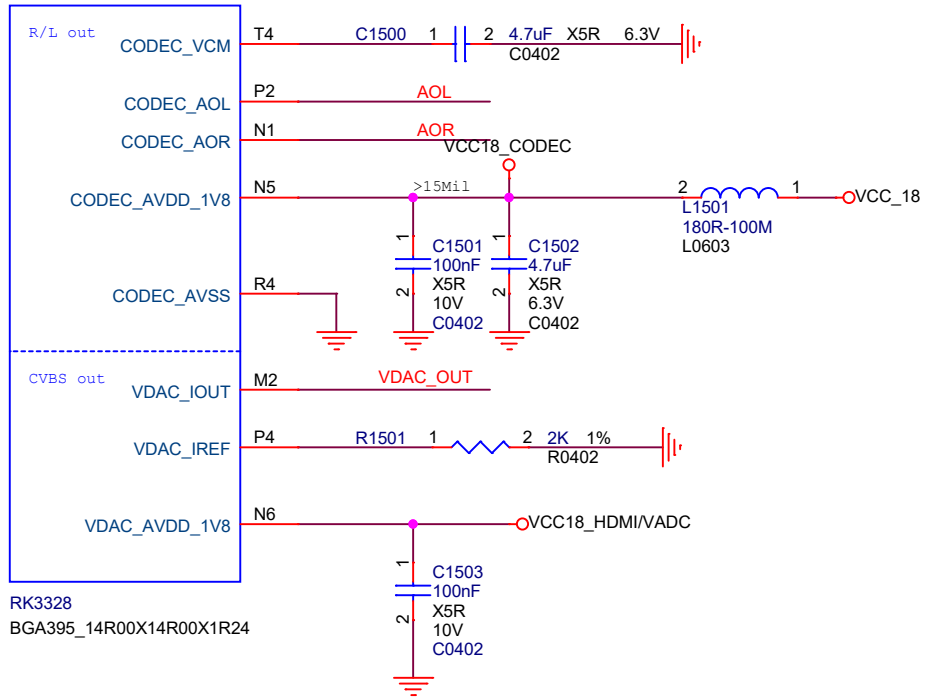
10/100M Ethernet PHY



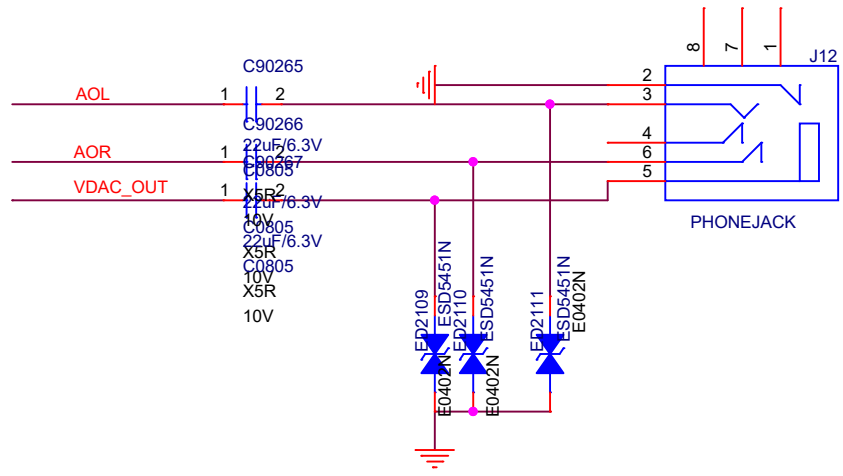
RK3328  
BGA395\_14R00X14R00X1R24

Embed FEPHY

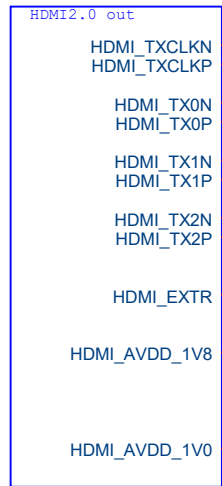
U800H



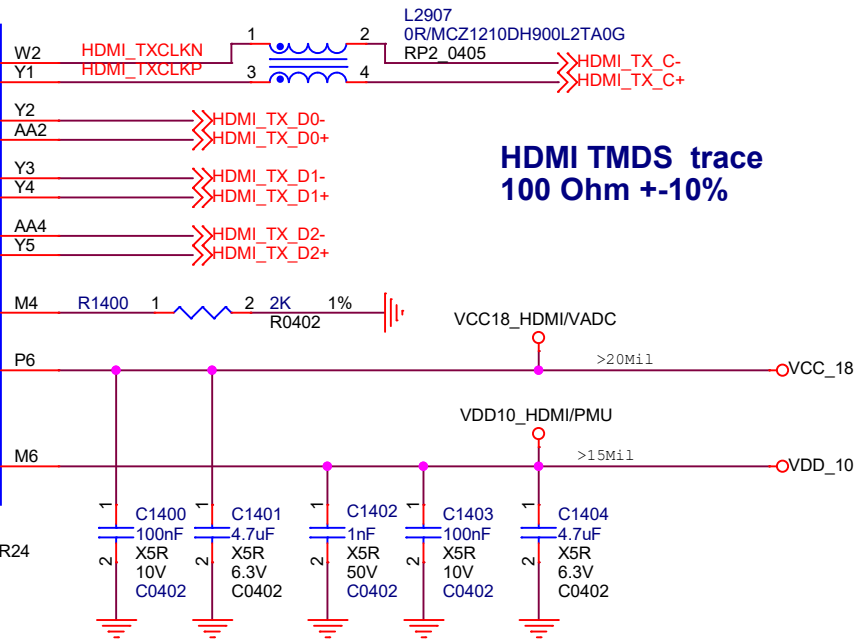
RK3328  
BGA395\_14R00X14R00X1R24

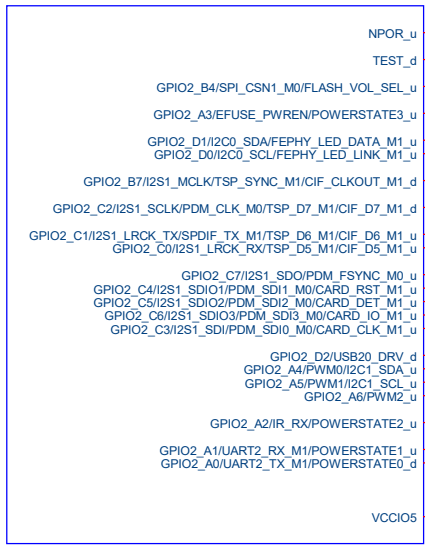


U8001

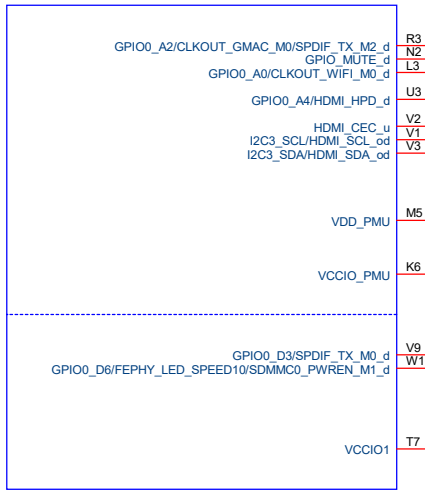


RK3328  
BGA395\_14R00X14R00X1R24

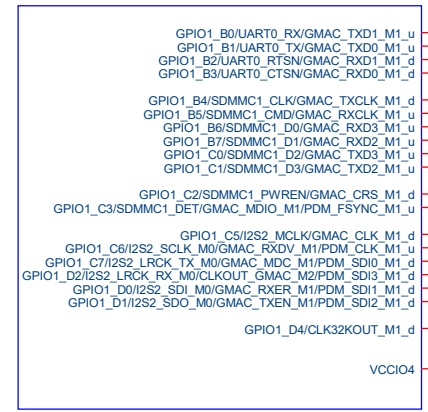
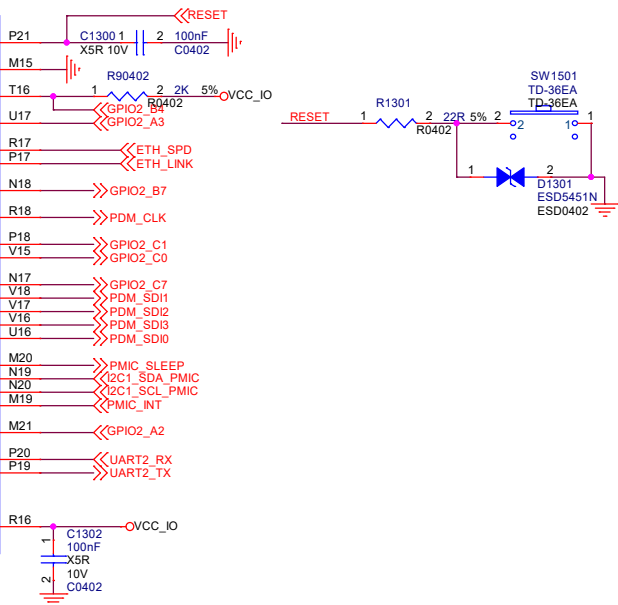




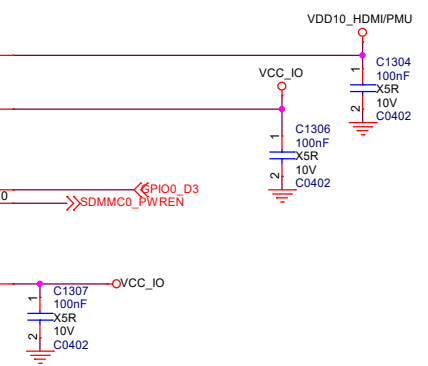
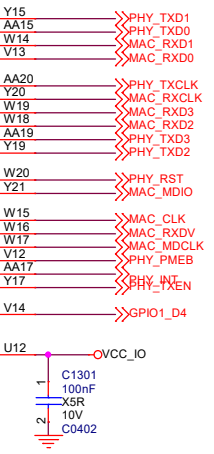
RK3328  
BGA395\_14R00X14R00X1R24



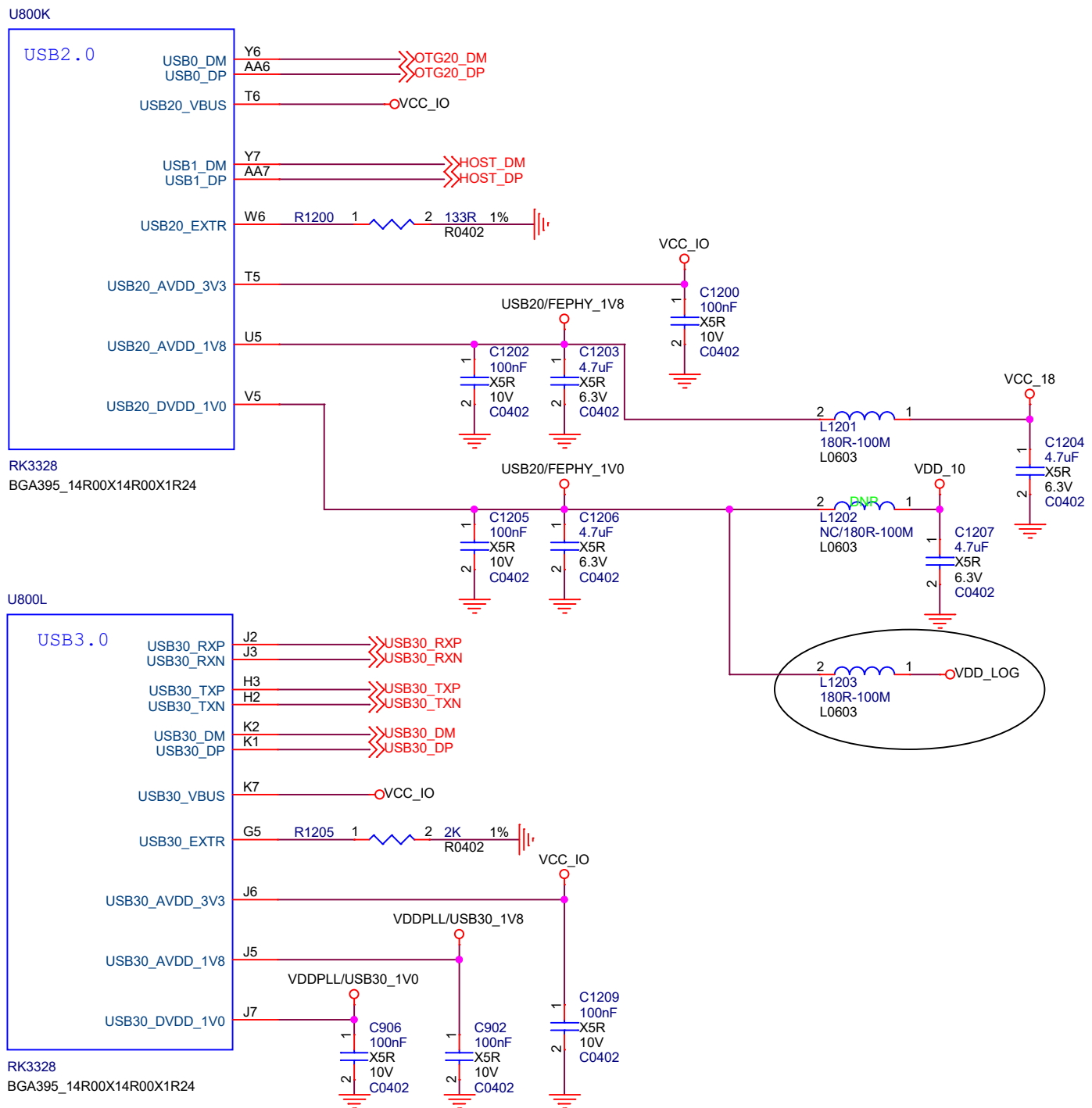
RK3328  
BGA395\_14R00X14R00X1R24

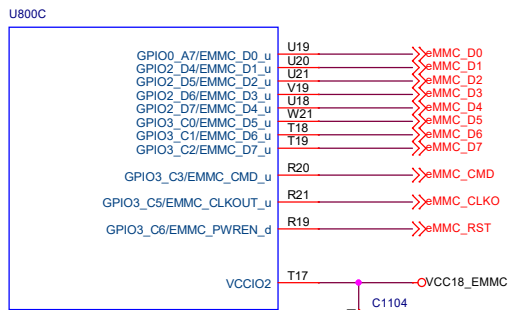


RK3328  
BGA395\_14R00X14R00X1R24

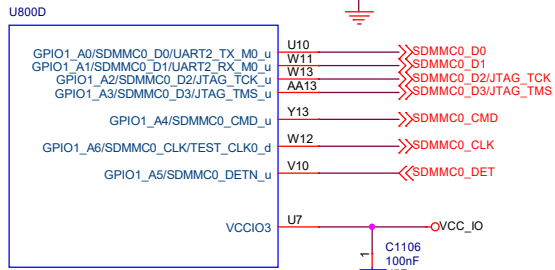
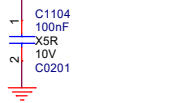




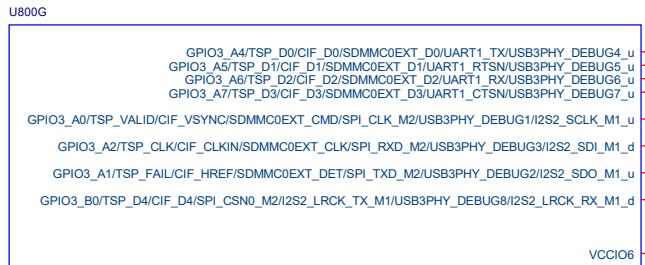
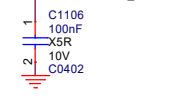




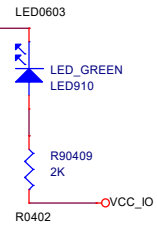
RK3328  
BGA395\_14R00X14R00X1R24

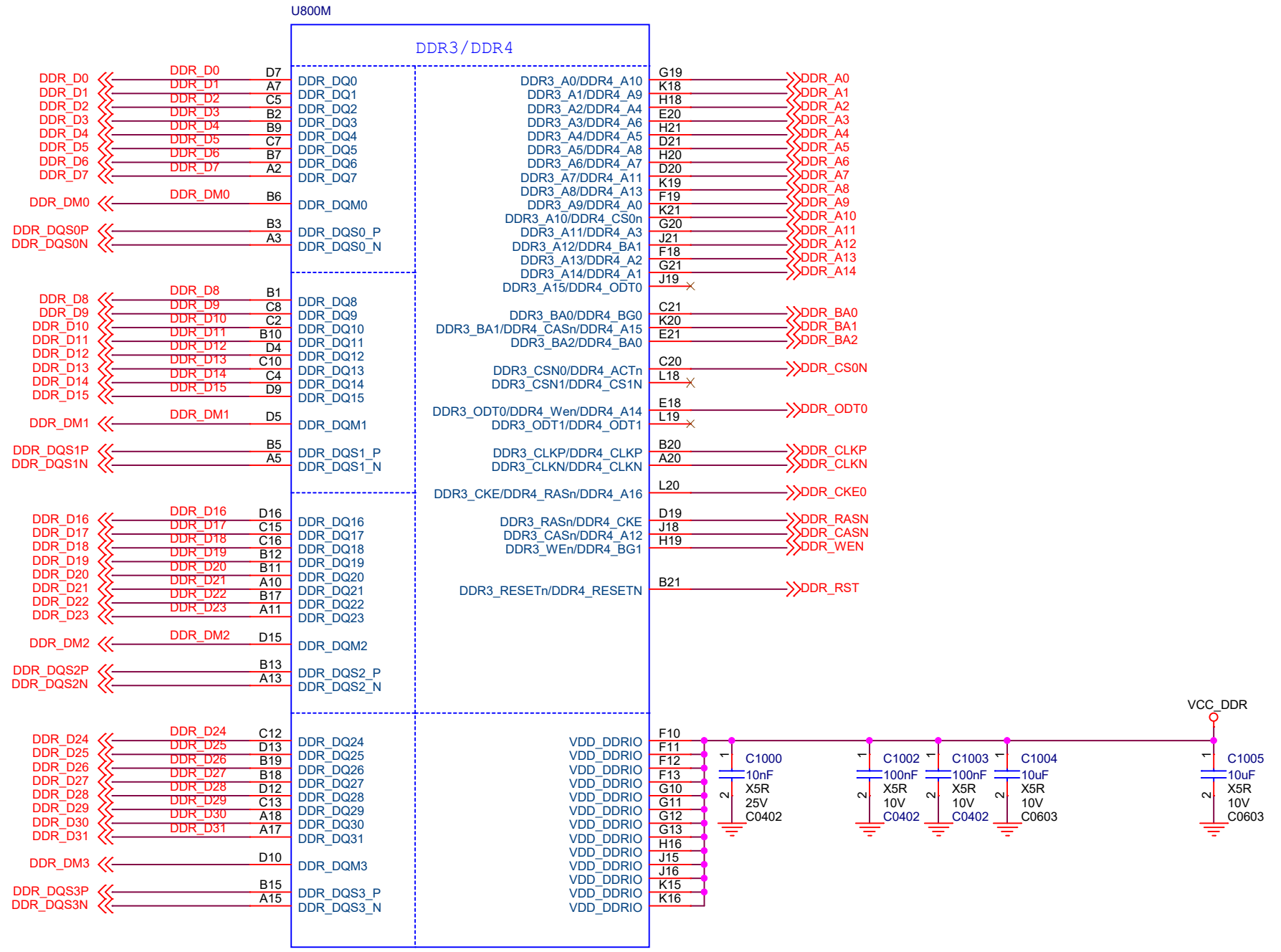


RK3328  
BGA395\_14R00X14R00X1R24

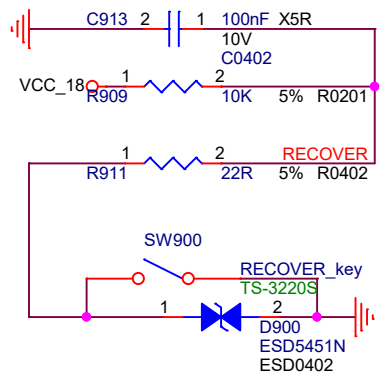
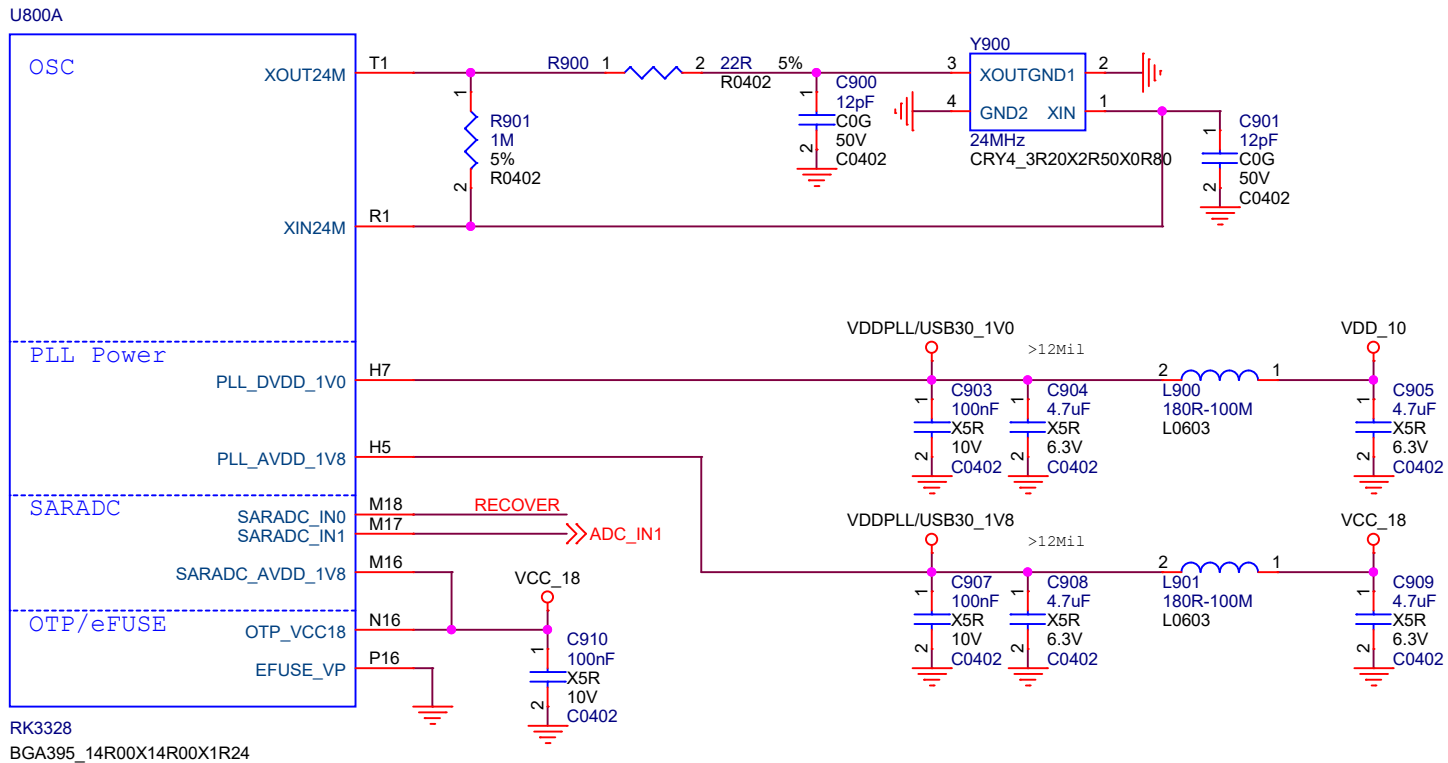


RK3328  
BGA395\_14R00X14R00X1R24





RK3328  
BGA395\_14R00X14R00X1R24

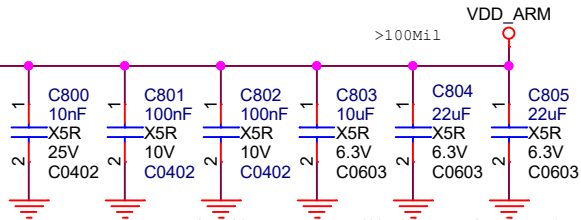


U800N

ARM

VDD\_CORE  
 VDD\_CORE  
 VDD\_CORE  
 VDD\_CORE  
 VDD\_CORE  
 VDD\_CORE  
 VDD\_CORE

P13  
 P14  
 R13  
 R14  
 T13  
 T14  
 T15

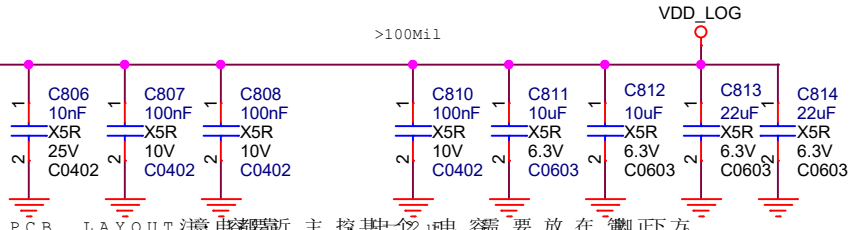


PCB LAYOUT 注意电容要近主控中心位 电容需要放在引脚正下方

GPU/Logic

VDD\_LOGIC  
 VDD\_LOGIC  
 VDD\_LOGIC  
 VDD\_LOGIC  
 VDD\_LOGIC  
 VDD\_LOGIC  
 VDD\_LOGIC  
 VDD\_LOGIC  
 VDD\_LOGIC  
 VDD\_LOGIC

N9  
 N10  
 N11  
 P9  
 P10  
 P11  
 R9  
 R10  
 R11

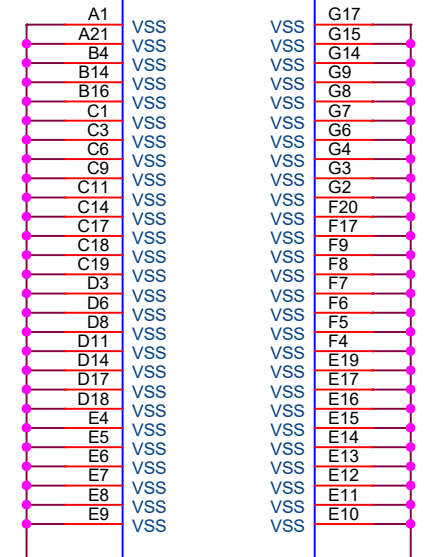


PCB LAYOUT 注意电容要近主控中心位 电容需要放在引脚正下方

RK3328

BGA395\_14R00X14R00X1R24

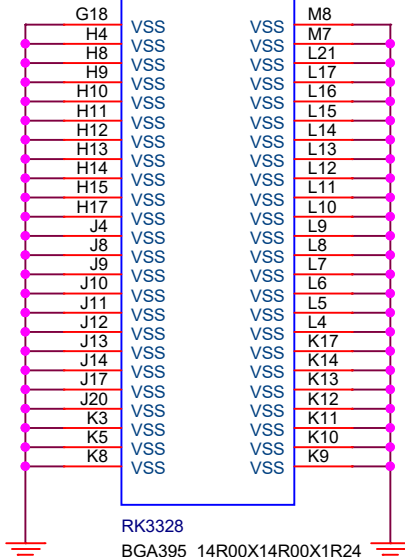
U800O



RK3328

BGA395\_14R00X14R00X1R24

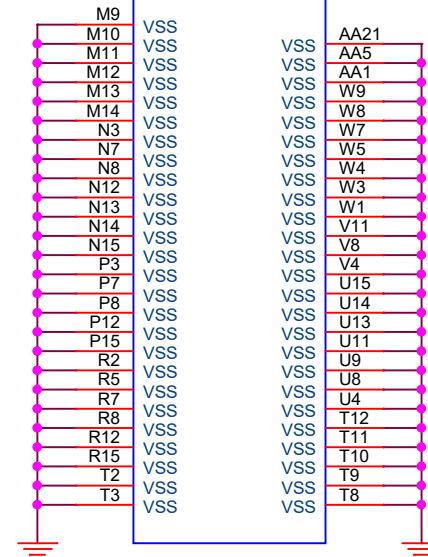
U800P



RK3328

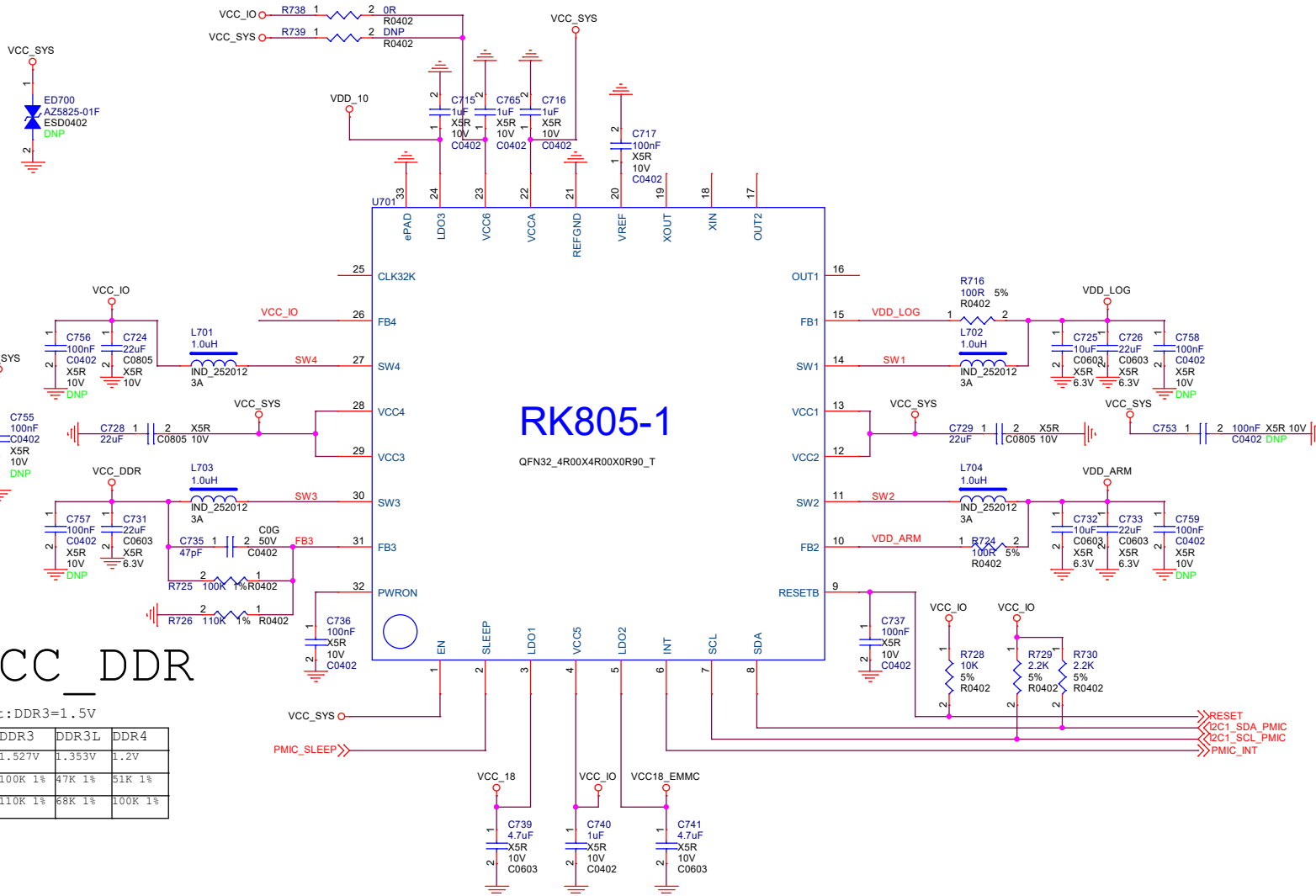
BGA395\_14R00X14R00X1R24

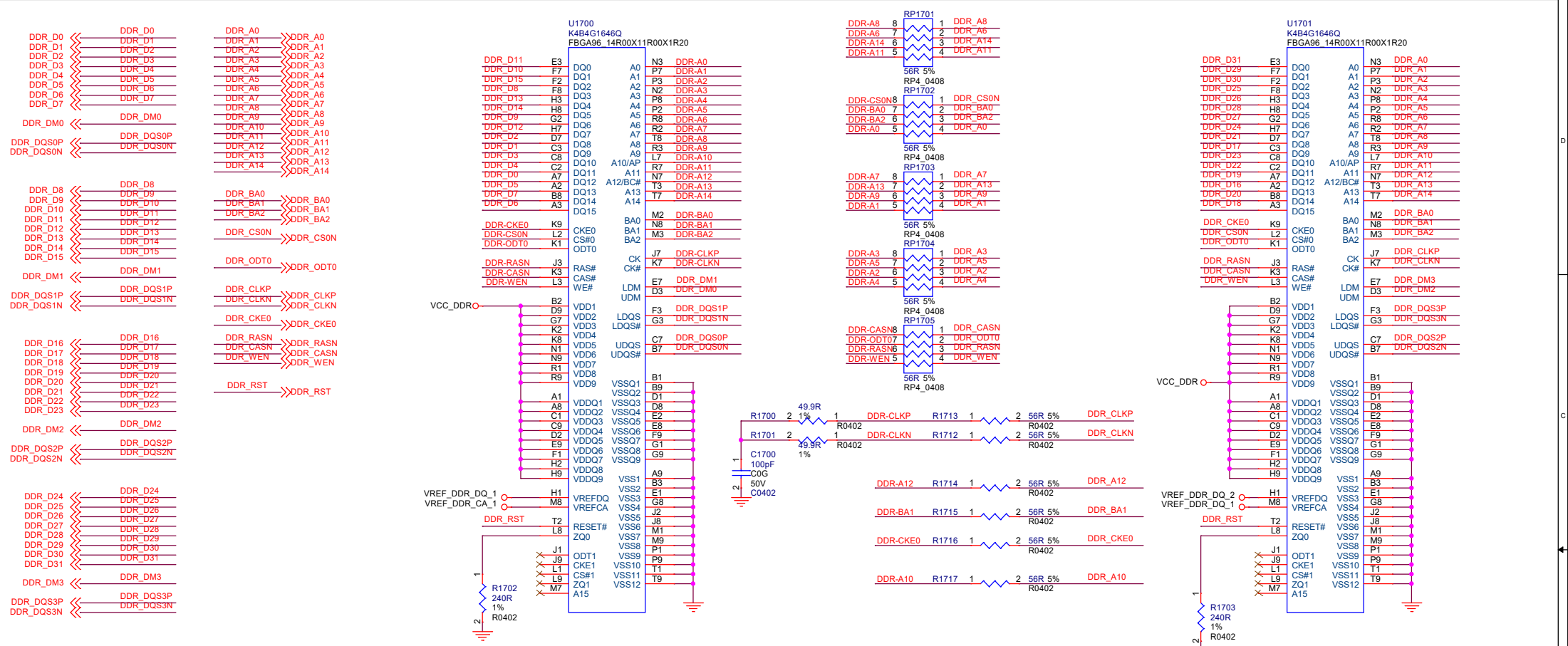
U800Q



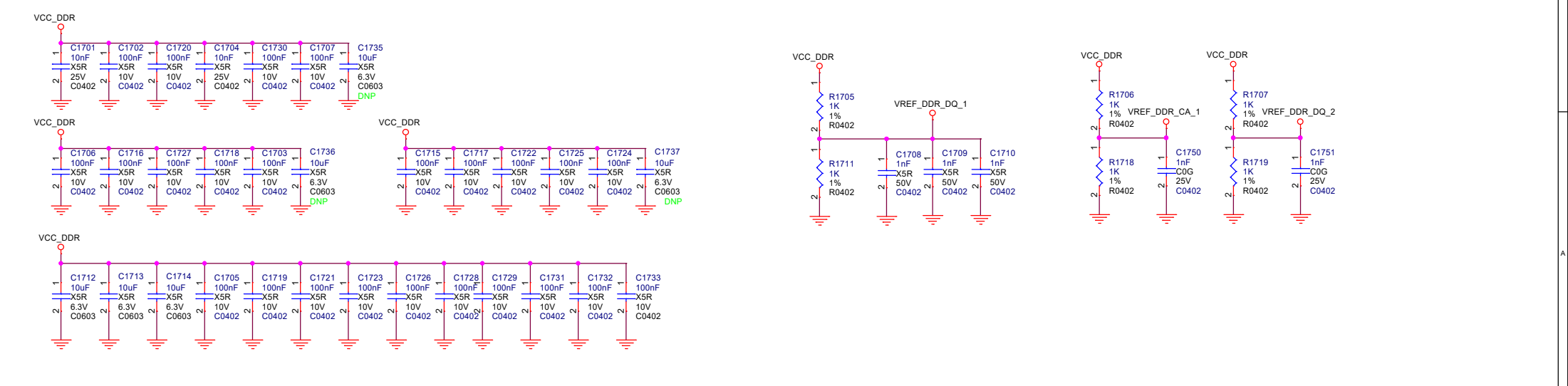
RK3328

BGA395\_14R00X14R00X1R24

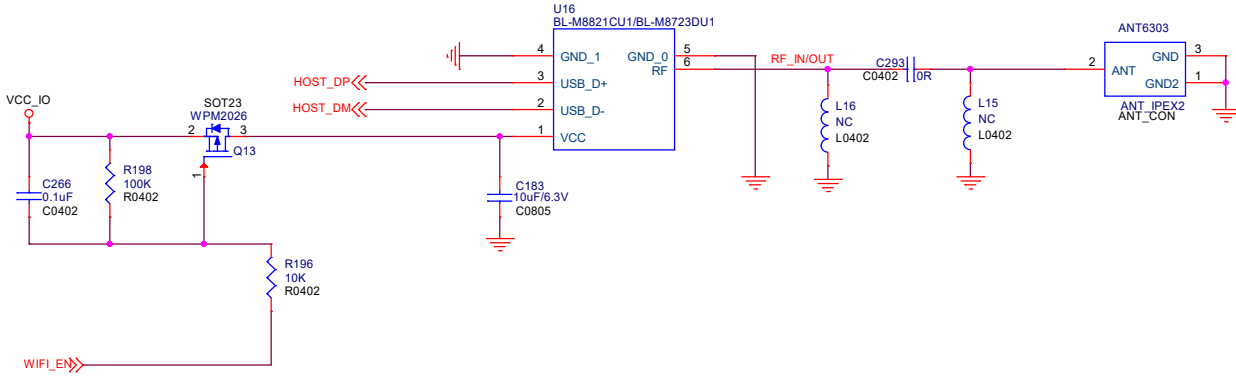




## 2X16bit DDR3

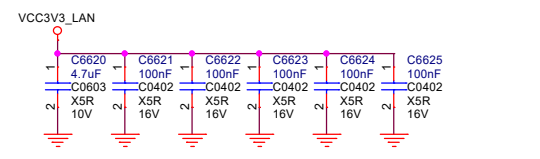
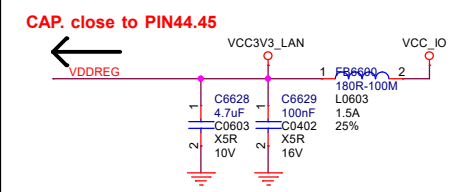
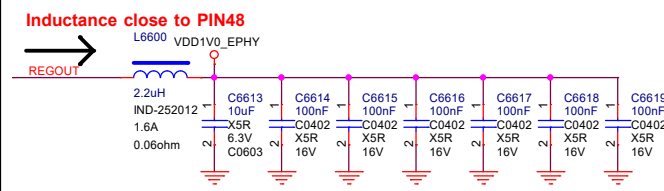
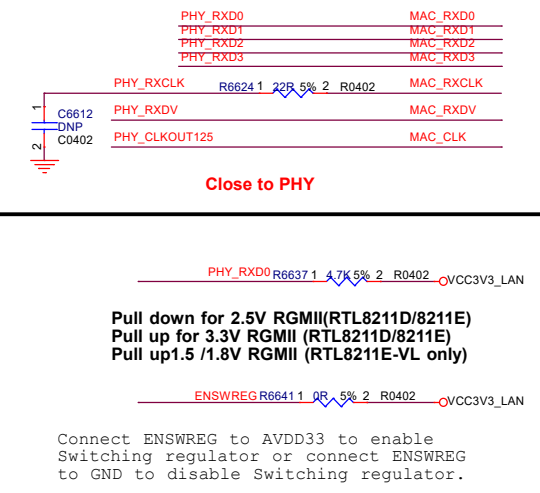
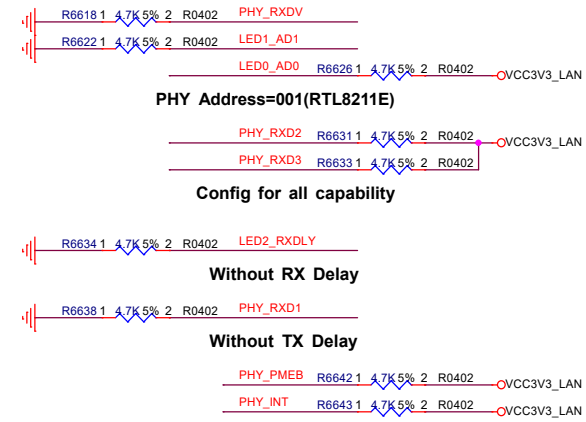
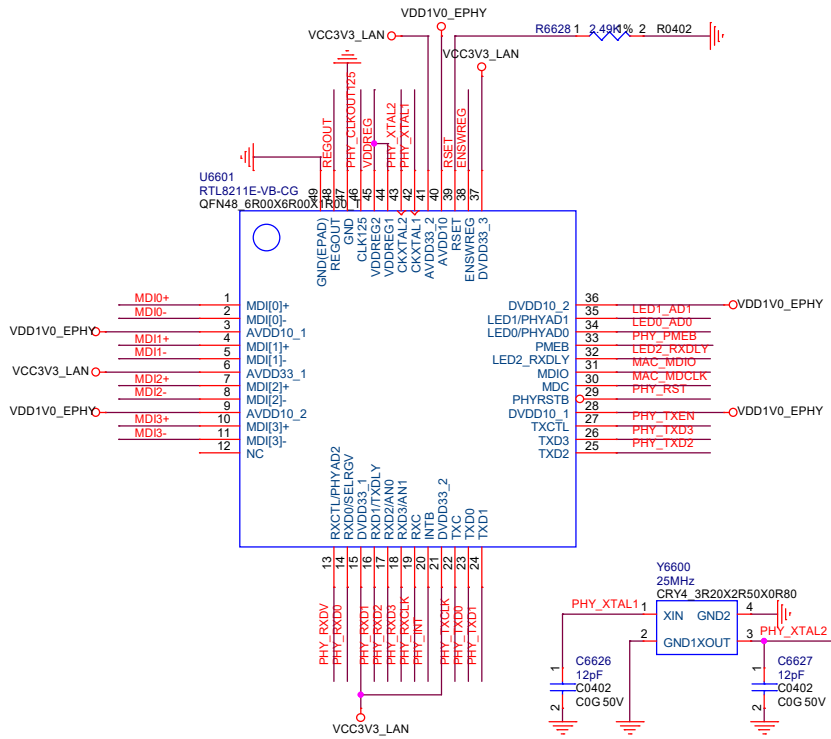
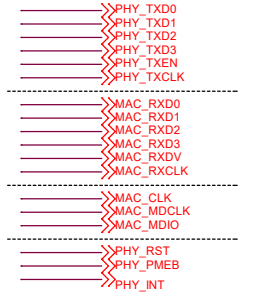
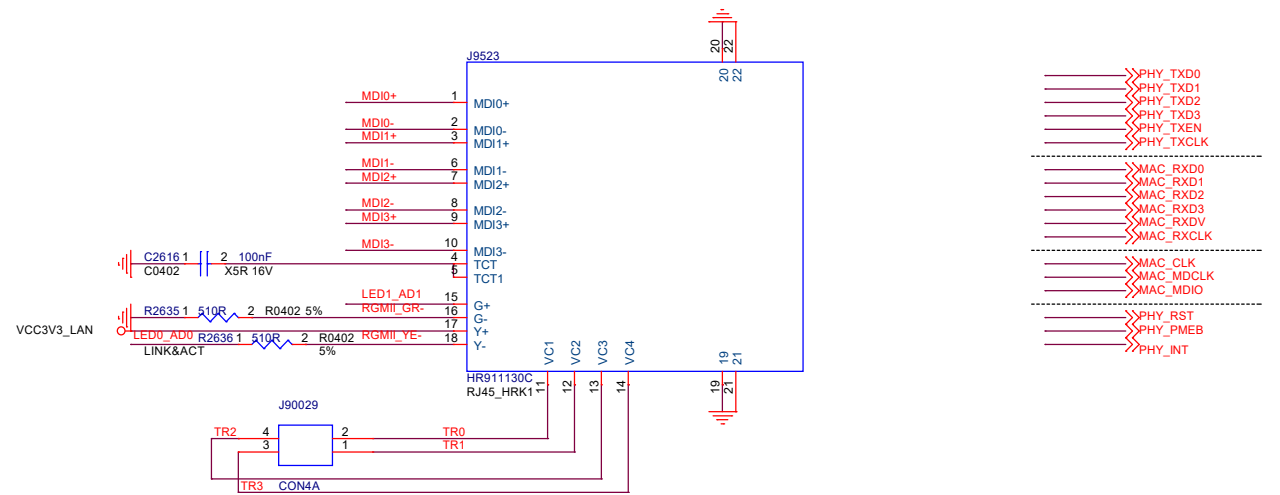


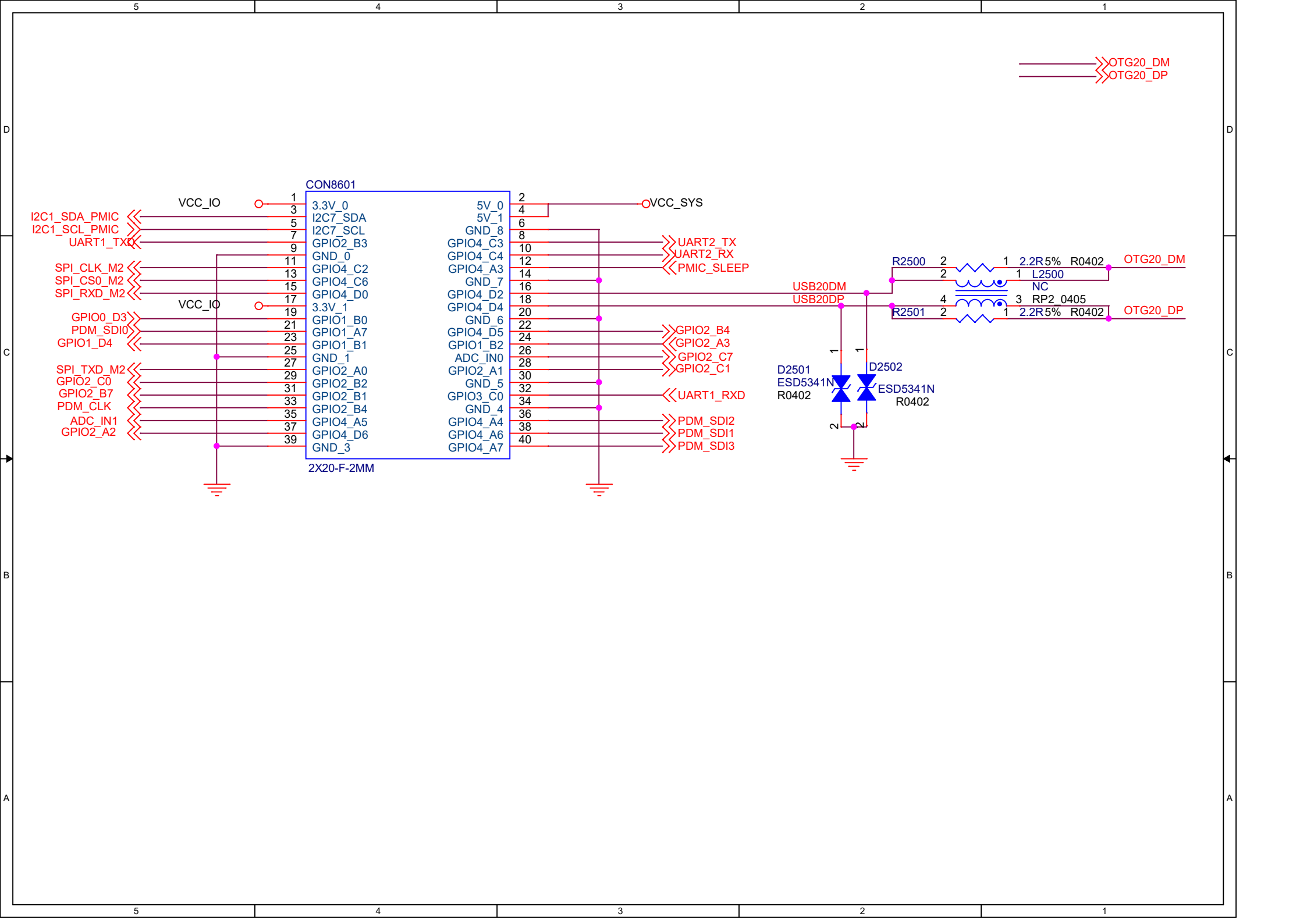
# 8821 or 8723

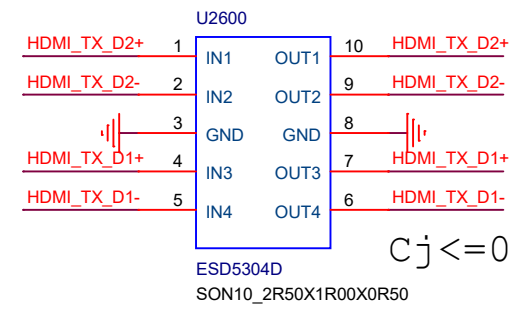
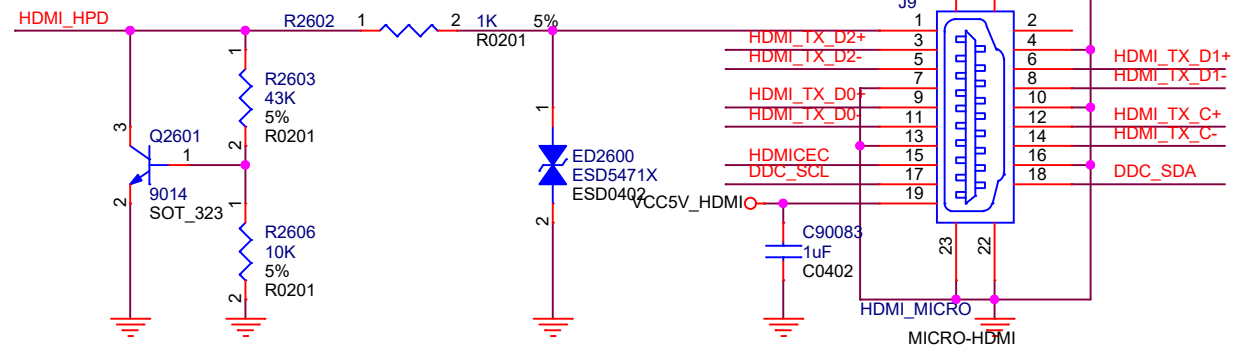
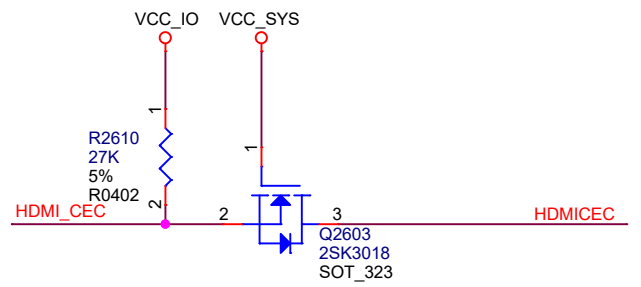
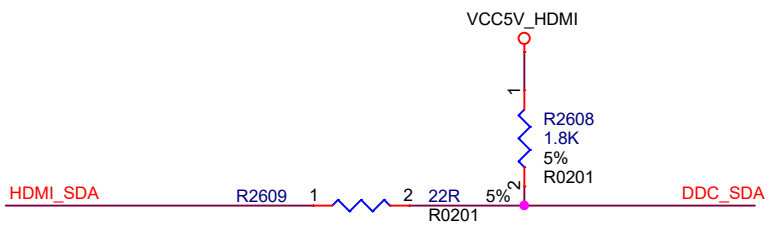
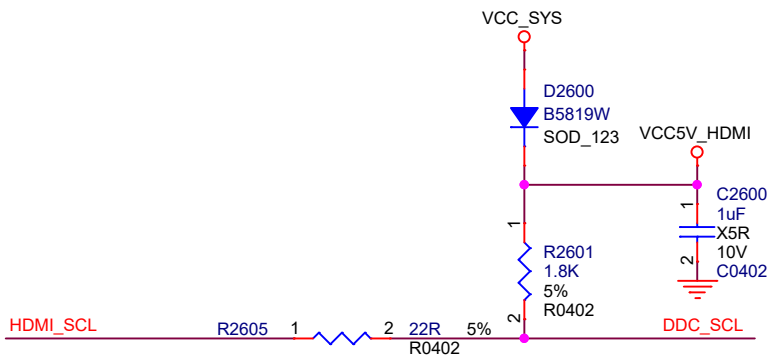




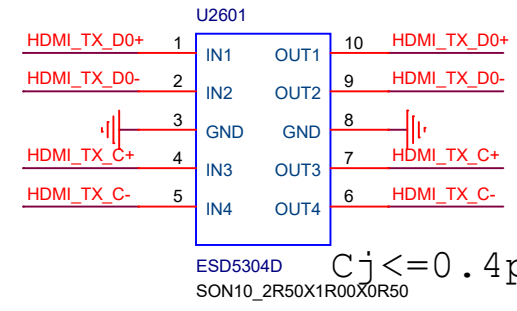
# GMAC 10/100/1000 RGMII Ethernet PHY







$C_j \leq 0.4 \text{ pF}$



$C_j \leq 0.4 \text{ pF}$

