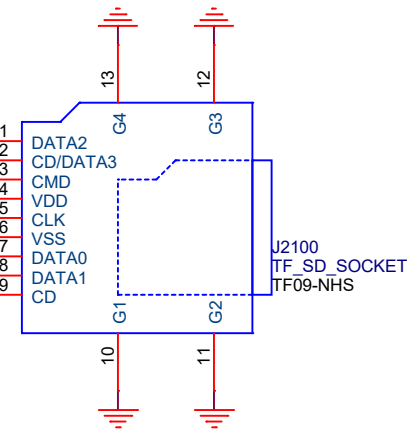
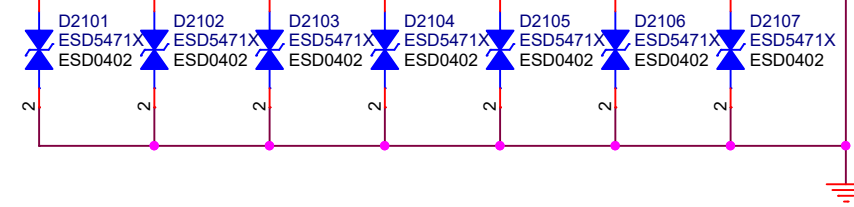
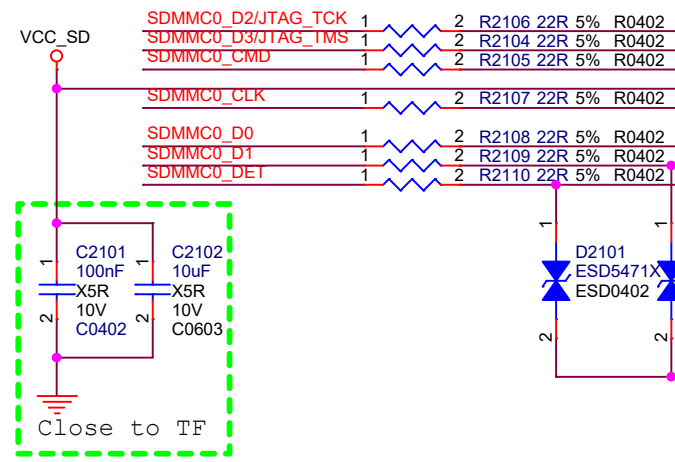
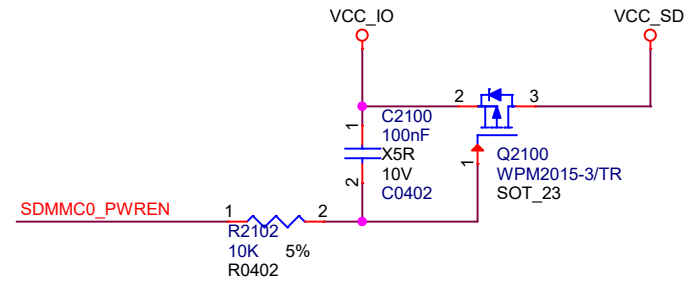


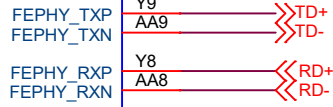
- >>SDMMC0_D0
- >>SDMMC0_D1
- >>SDMMC0_D2/JTAG_TCK
- >>SDMMC0_D3/JTAG_TMS
- >>SDMMC0_CMD
- >>SDMMC0_CLK
- <<SDMMC0_DET
- >>SDMMC0_PWREN



TF Card

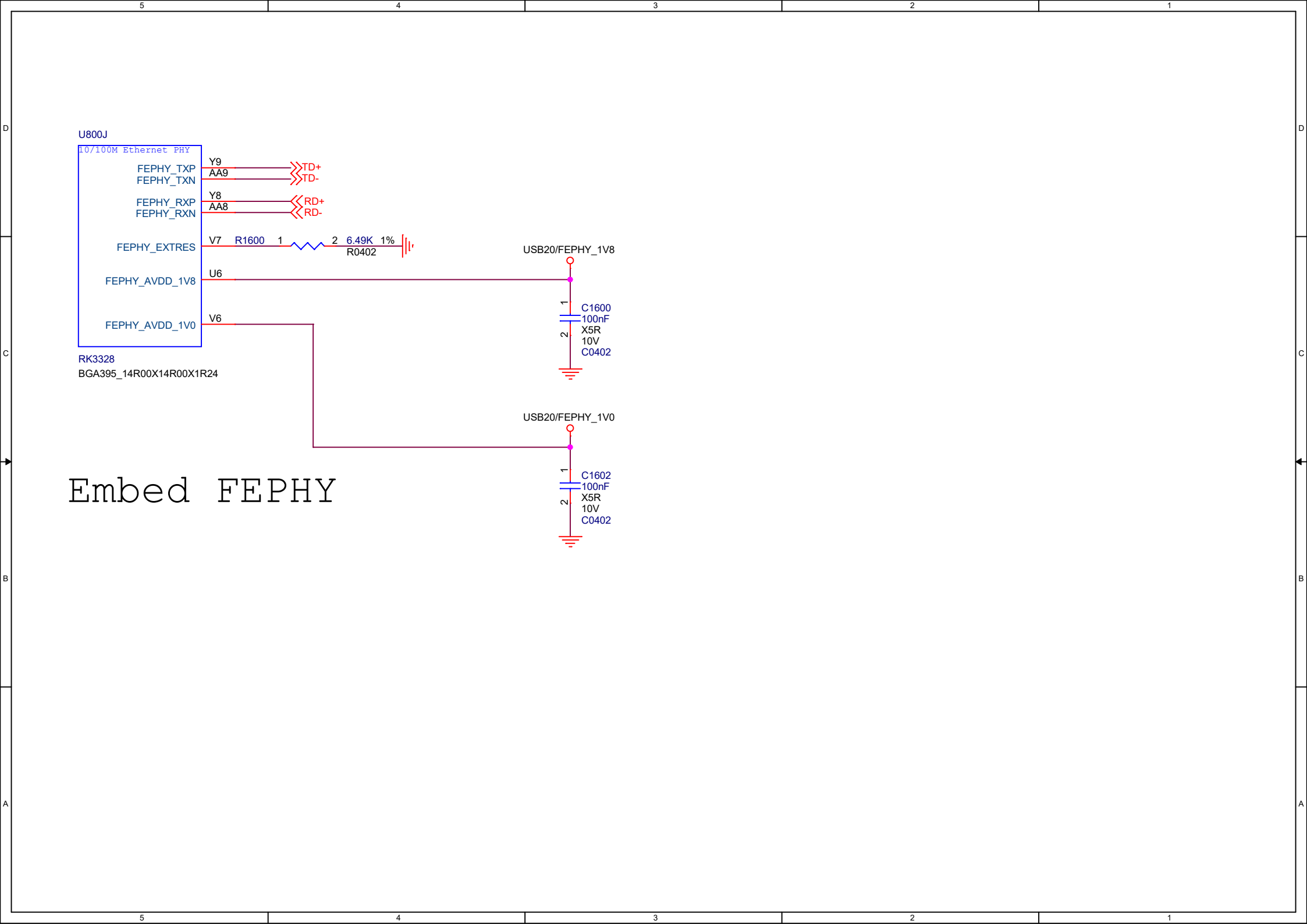
U800J

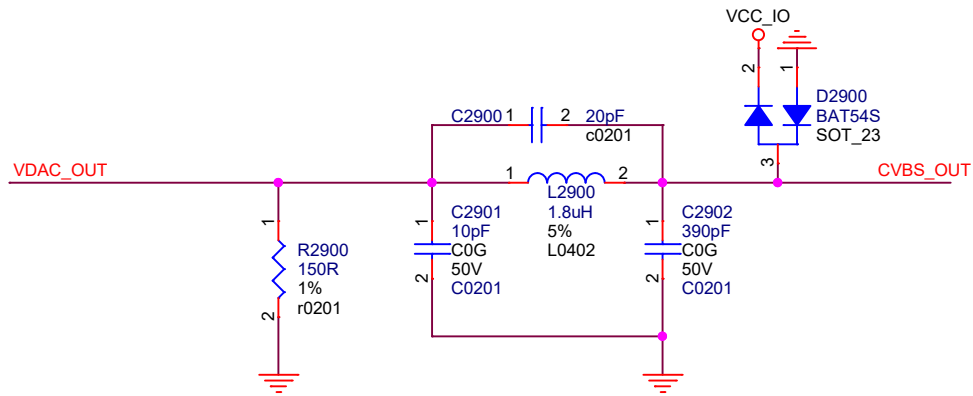
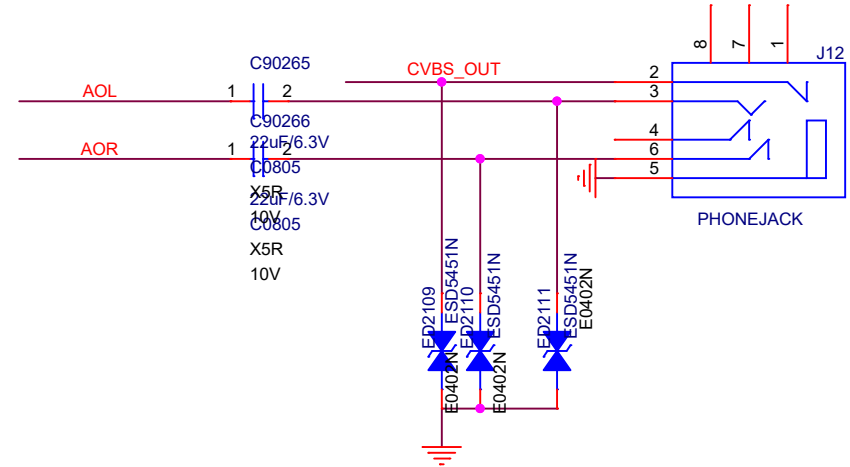
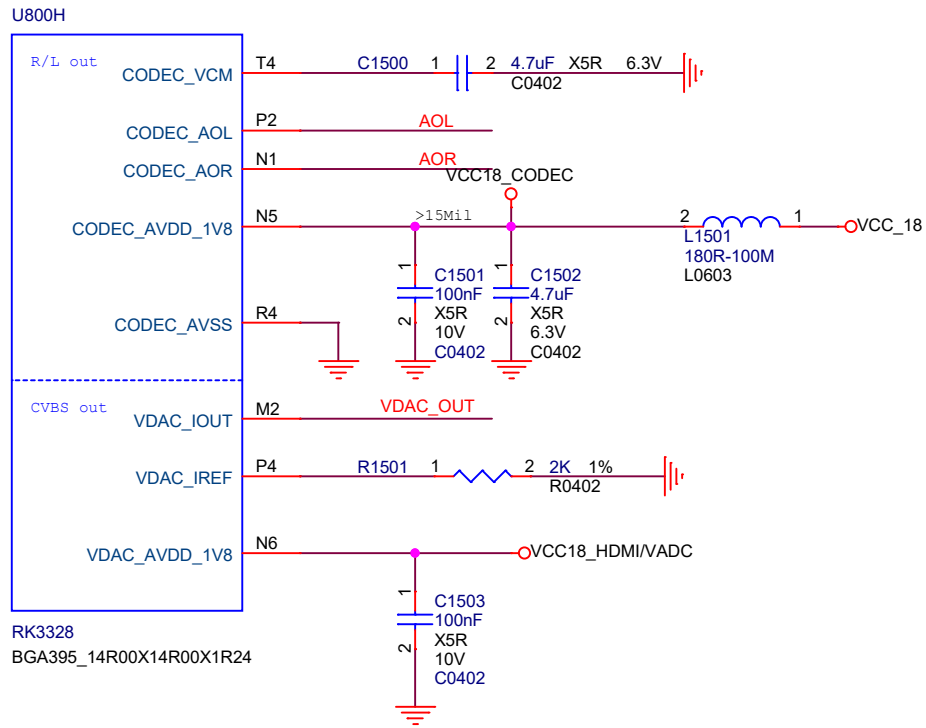
10/100M Ethernet PHY



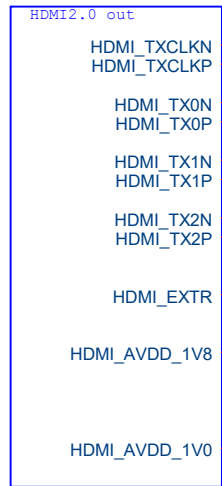
RK3328
BGA395_14R00X14R00X1R24

Embed FEPHY

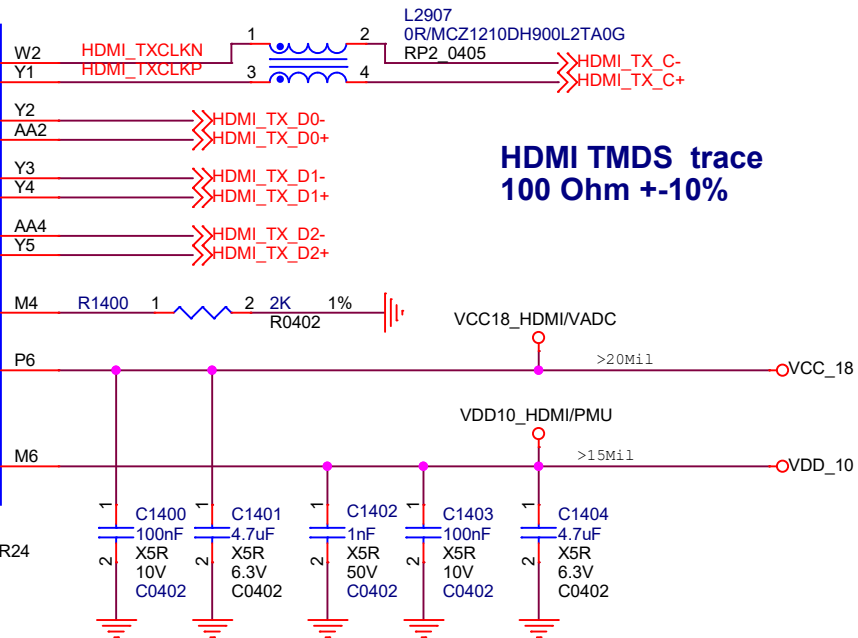


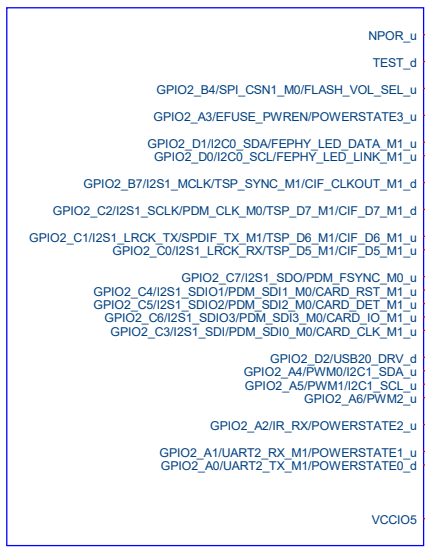


U8001

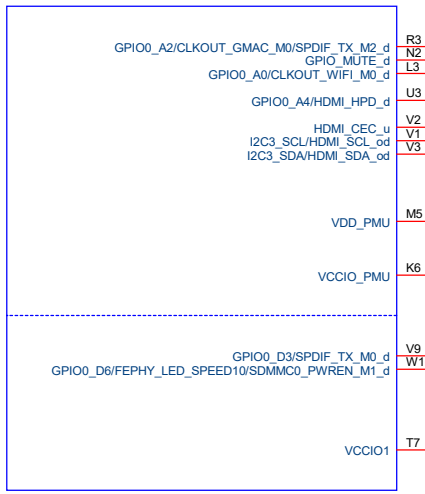


RK3328
BGA395_14R00X14R00X1R24

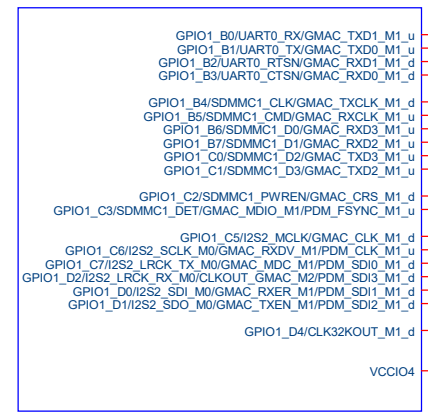
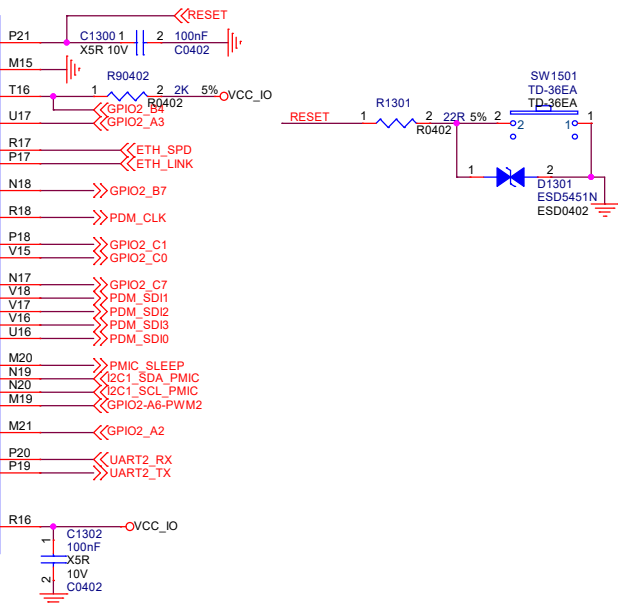




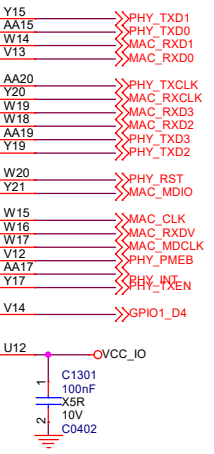
RK3328
BGA395_14R00X14R00X1R24

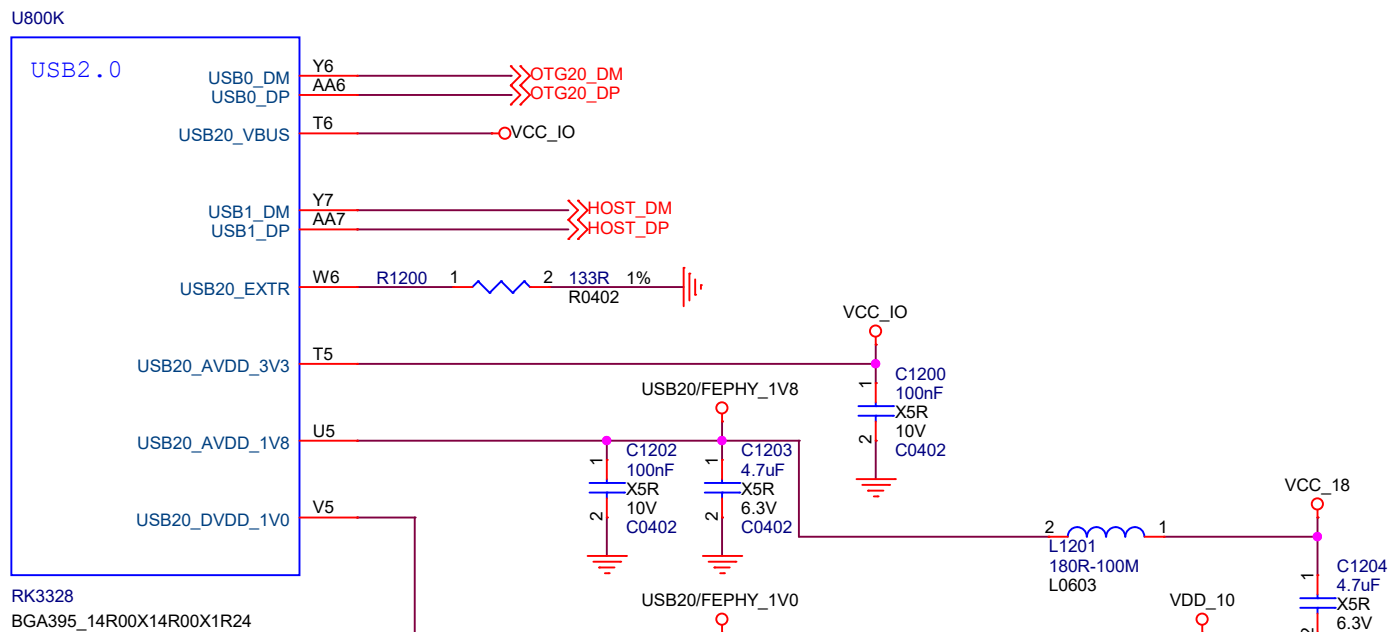


RK3328
BGA395_14R00X14R00X1R24

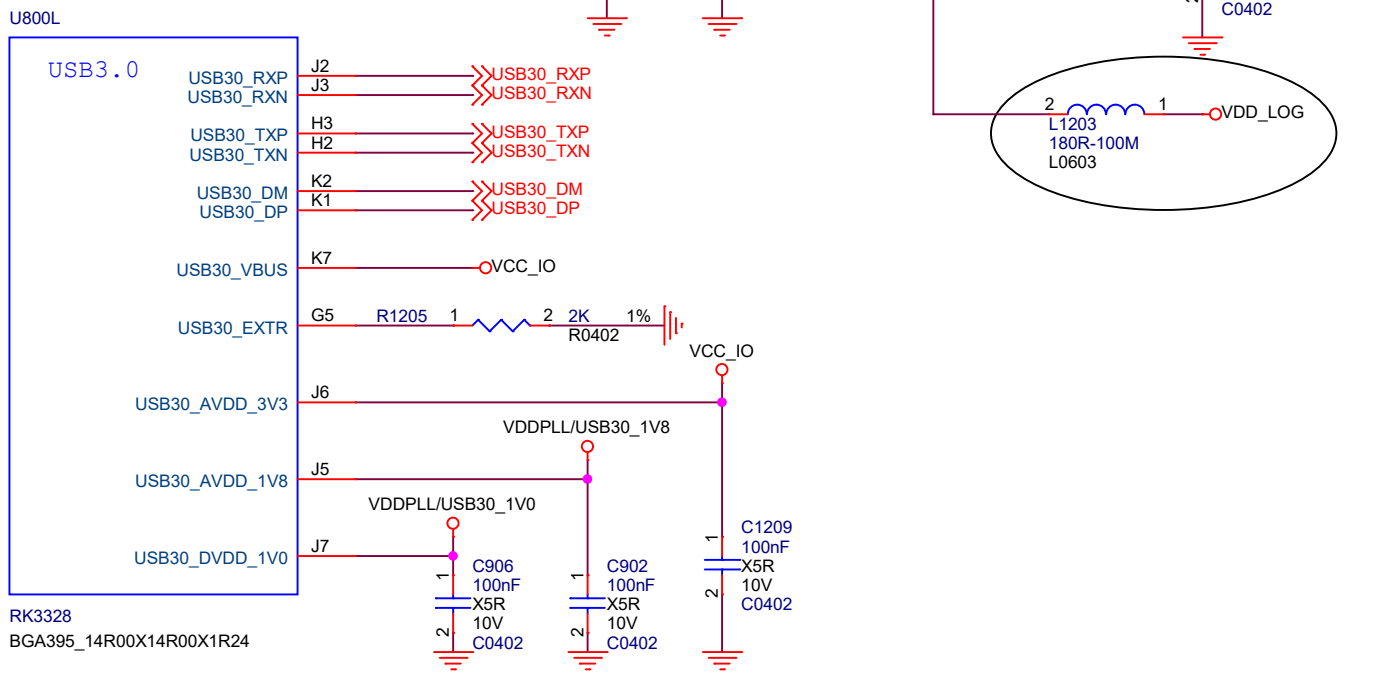


RK3328
BGA395_14R00X14R00X1R24

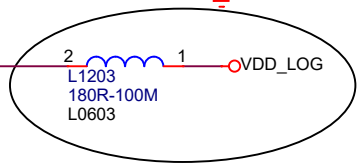


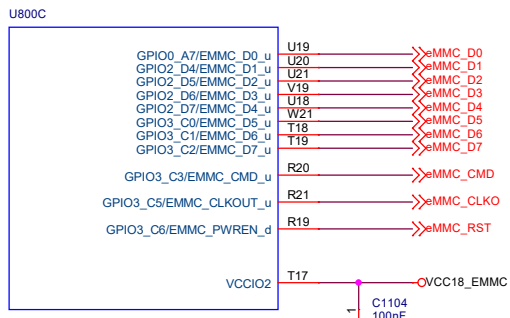


RK3328
 BGA395_14R00X14R00X1R24

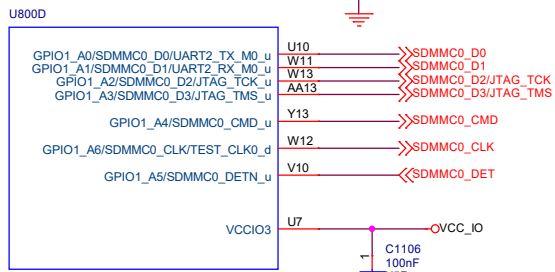
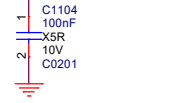


RK3328
 BGA395_14R00X14R00X1R24

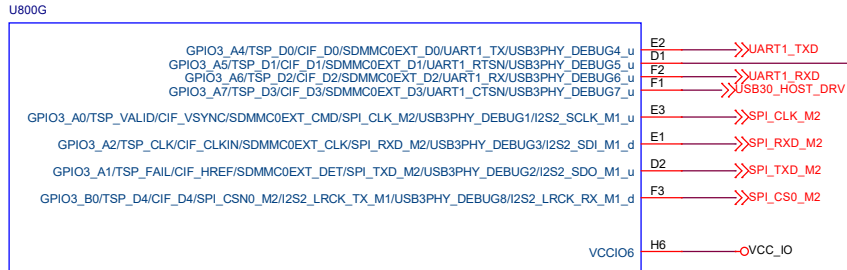
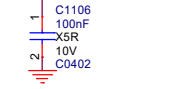




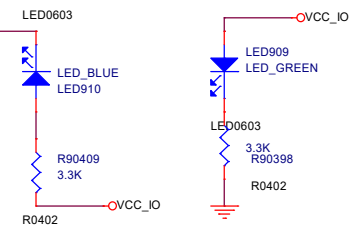
RK3328
BGA395_14R00X14R00X1R24

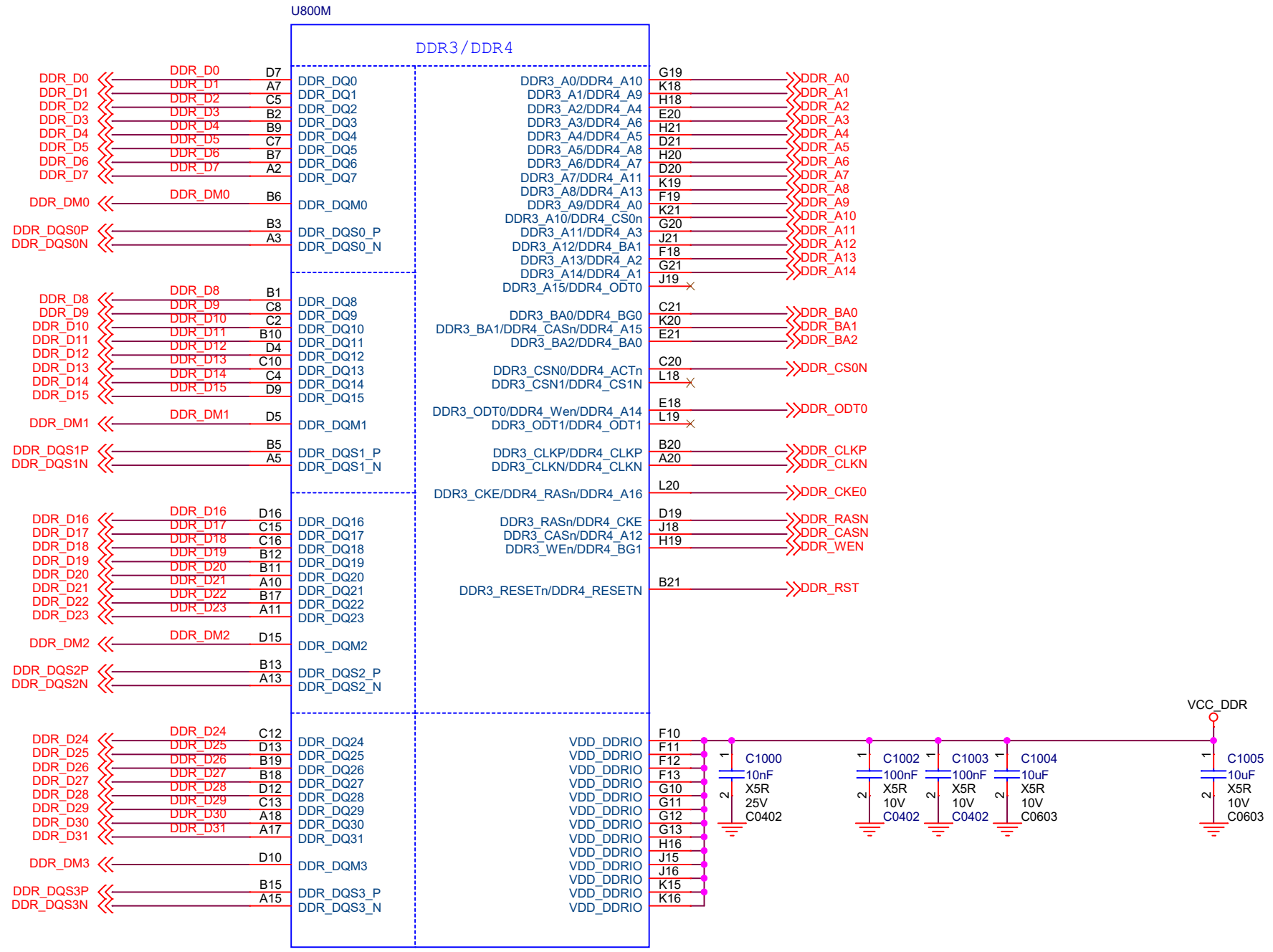


RK3328
BGA395_14R00X14R00X1R24

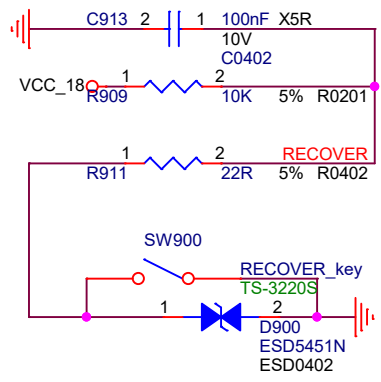
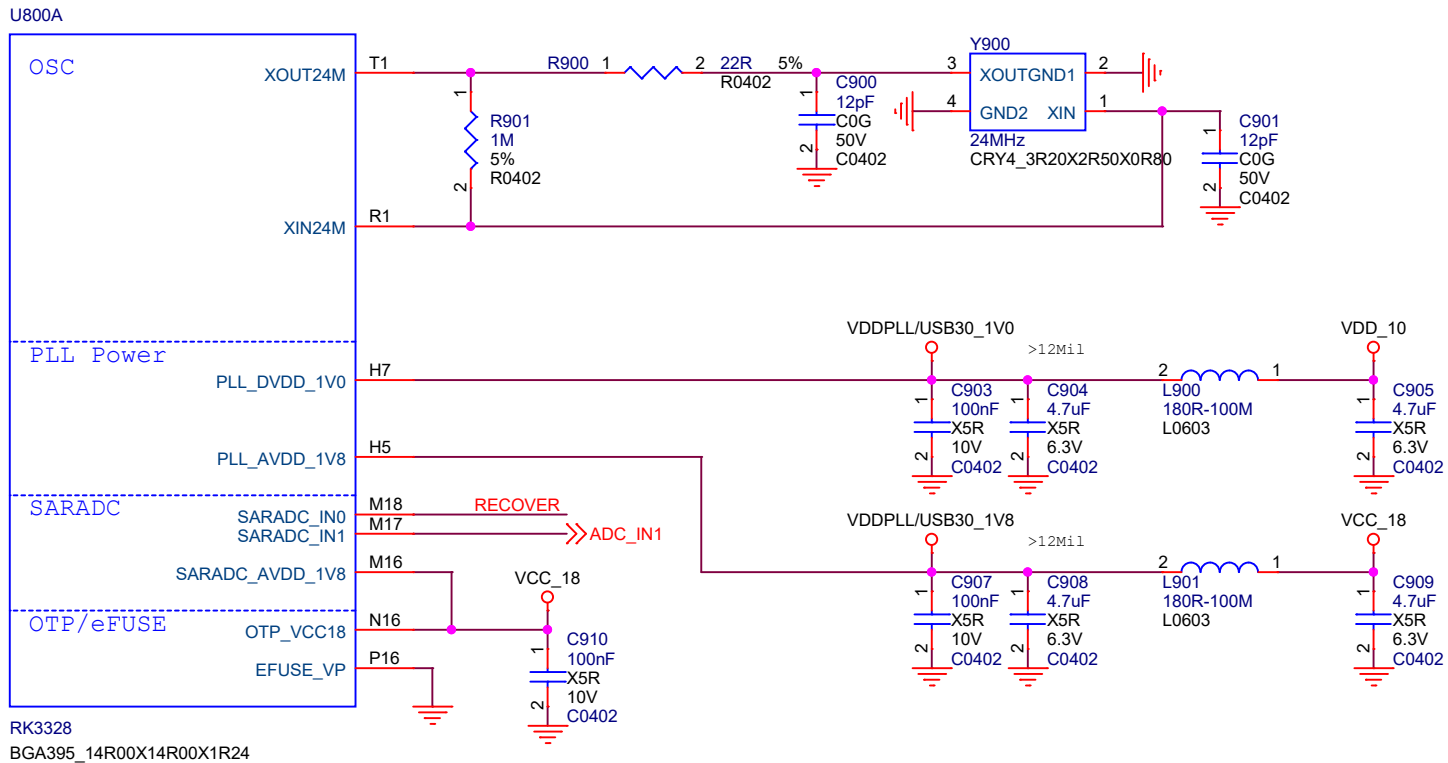


RK3328
BGA395_14R00X14R00X1R24





RK3328
BGA395_14R00X14R00X1R24

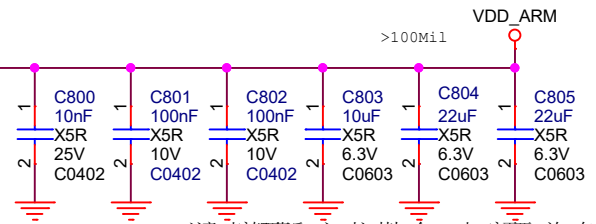


U800N

ARM

VDD_CORE
 VDD_CORE
 VDD_CORE
 VDD_CORE
 VDD_CORE
 VDD_CORE
 VDD_CORE

P13
 P14
 R13
 R14
 T13
 T14
 T15

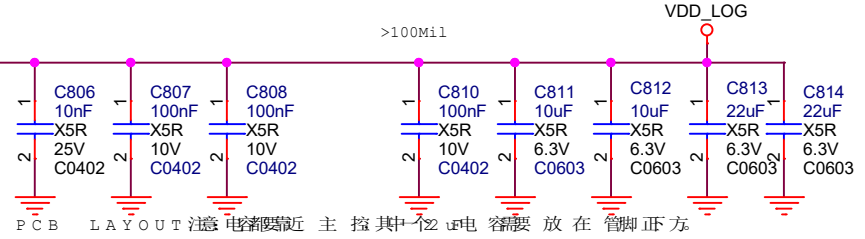


PCB LAYOUT 注意电容都要近主控其中2个电容要放在引脚正下方

GPU/Logic

VDD_LOGIC
 VDD_LOGIC
 VDD_LOGIC
 VDD_LOGIC
 VDD_LOGIC
 VDD_LOGIC
 VDD_LOGIC
 VDD_LOGIC
 VDD_LOGIC
 VDD_LOGIC

N9
 N10
 N11
 P9
 P10
 P11
 R9
 R10
 R11

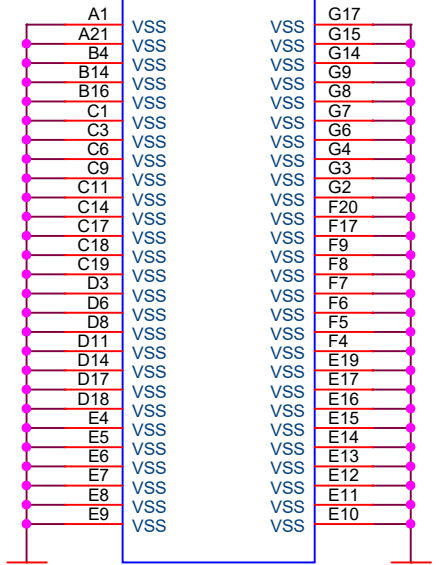


PCB LAYOUT 注意电容都要近主控其中2个电容要放在引脚正下方

RK3328

BGA395_14R00X14R00X1R24

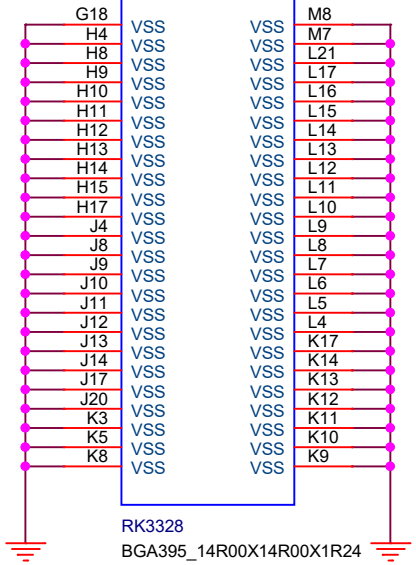
U800O



RK3328

BGA395_14R00X14R00X1R24

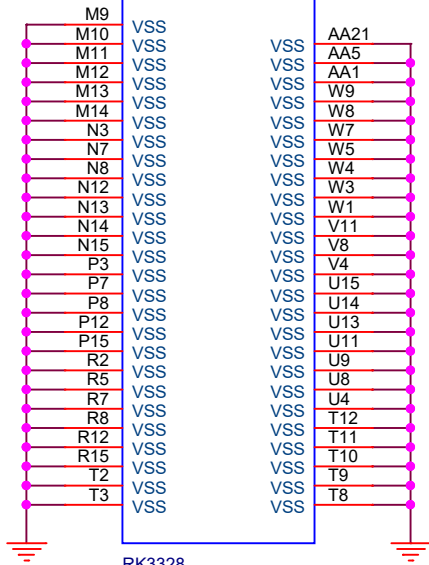
U800P



RK3328

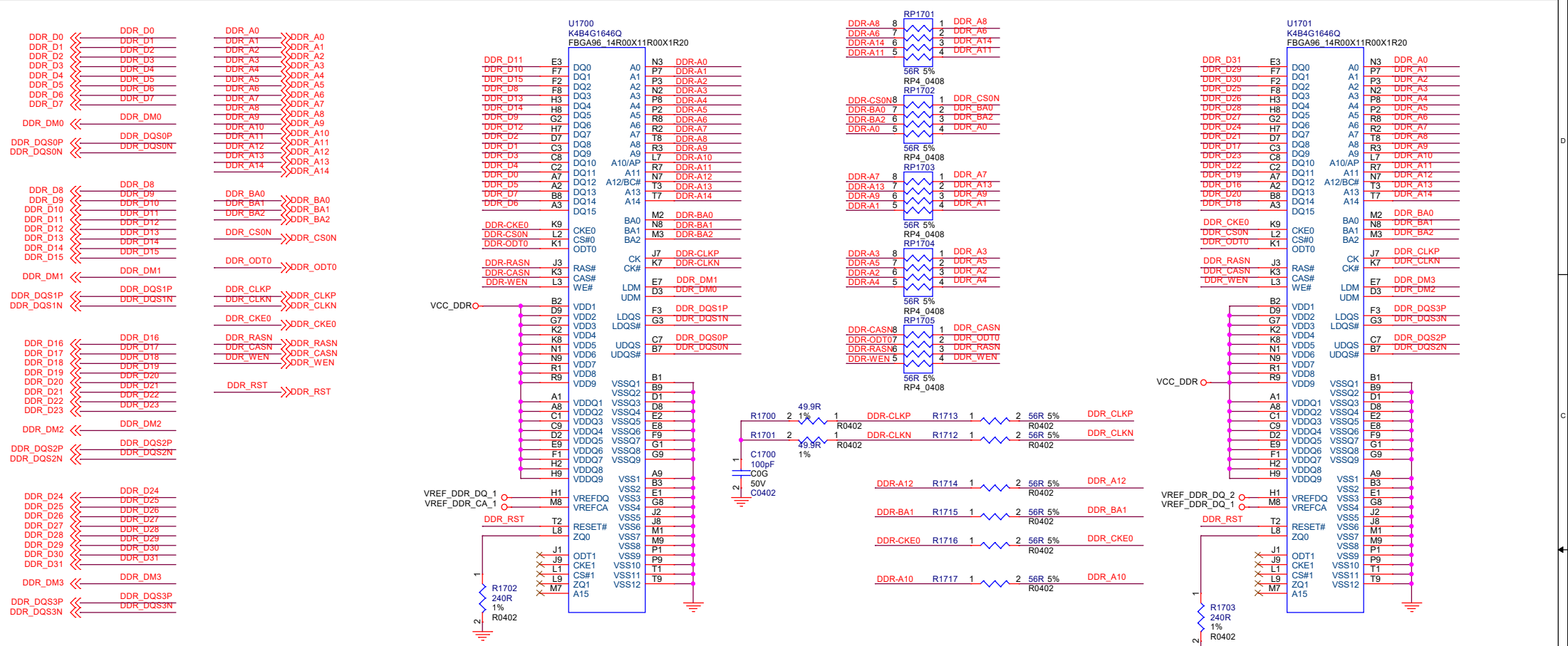
BGA395_14R00X14R00X1R24

U800Q

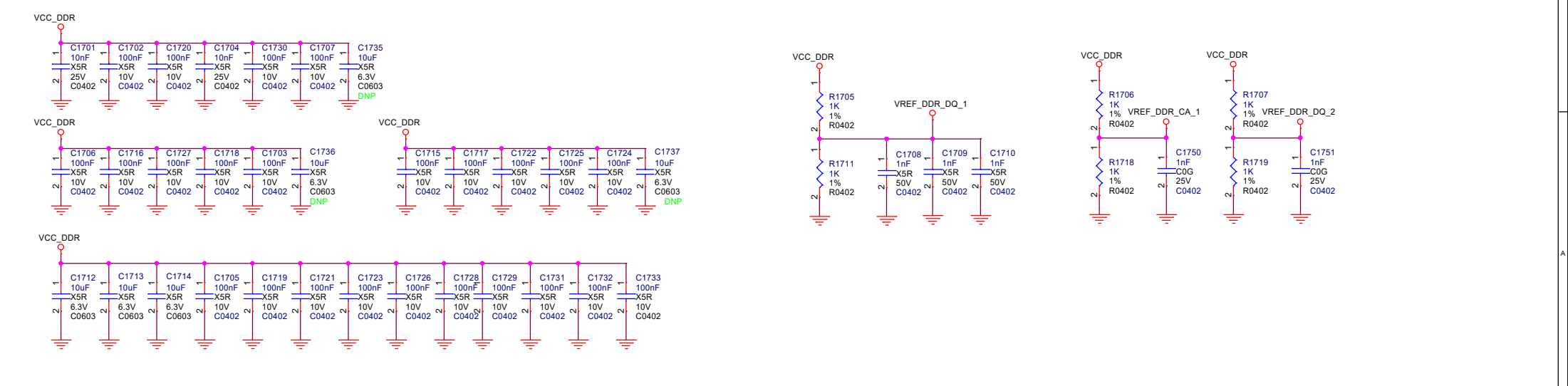


RK3328

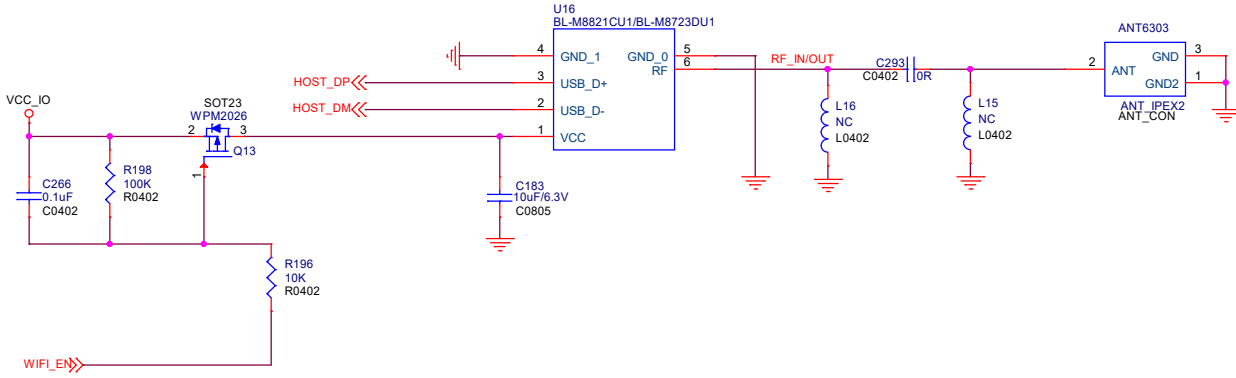
BGA395_14R00X14R00X1R24



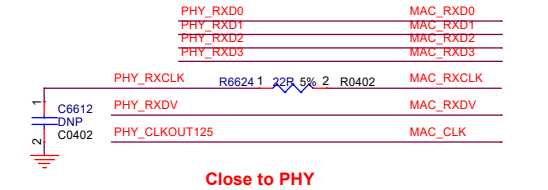
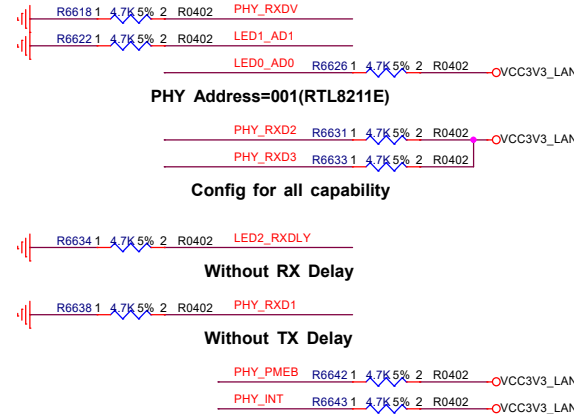
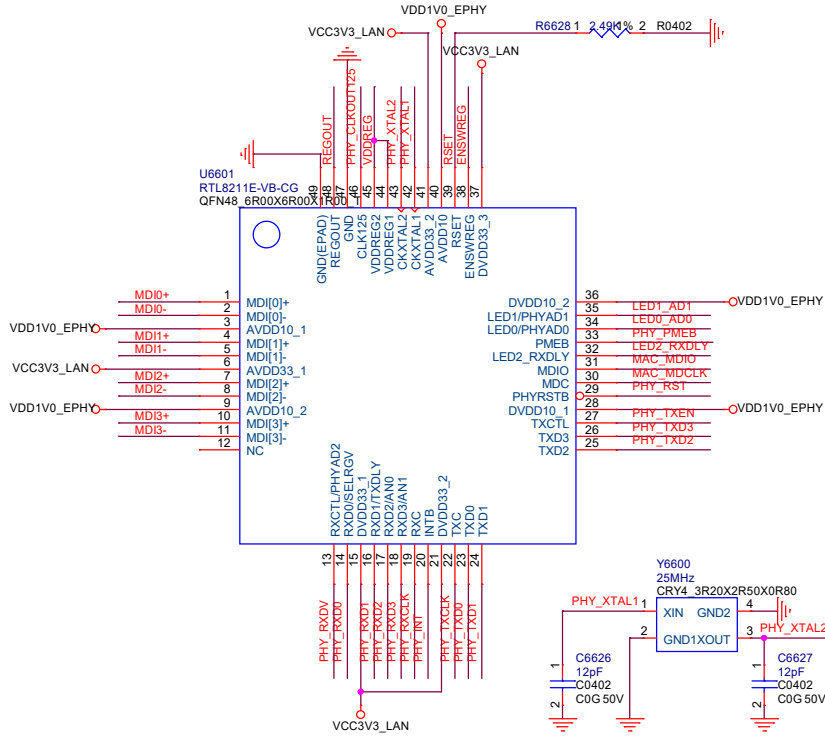
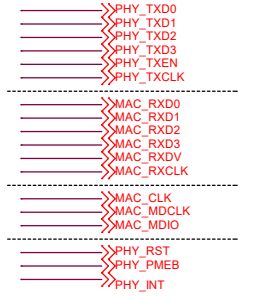
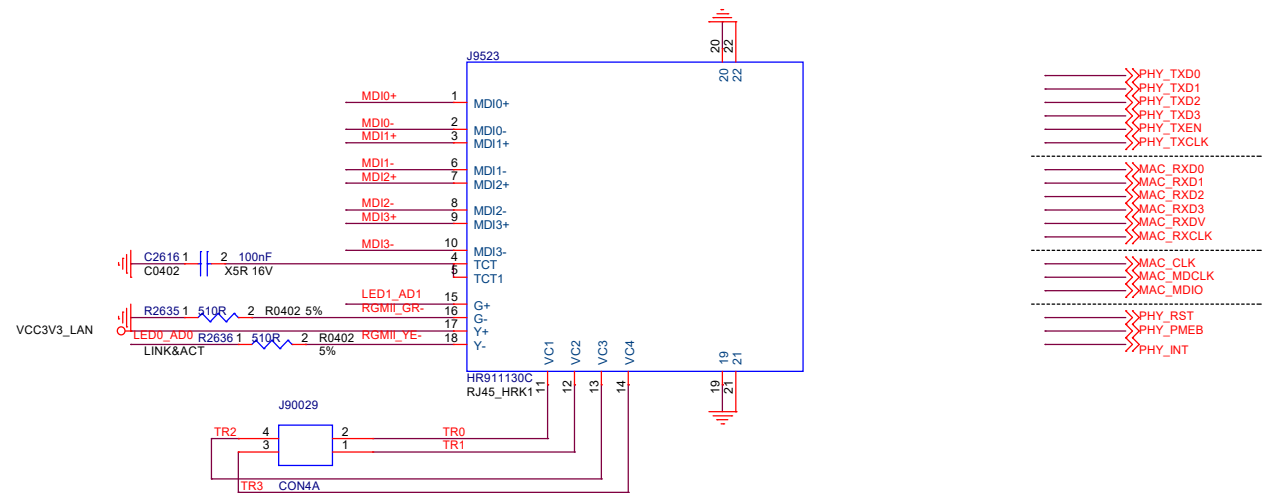
2X16bit DDR3



8821 or 8723

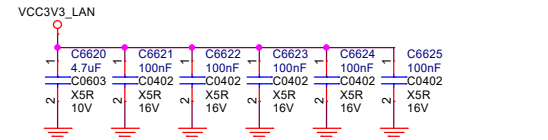
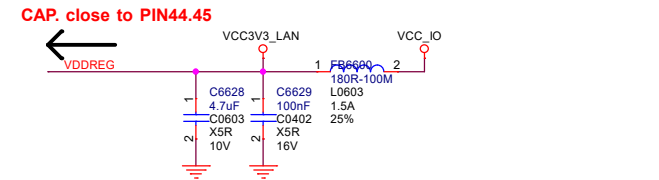
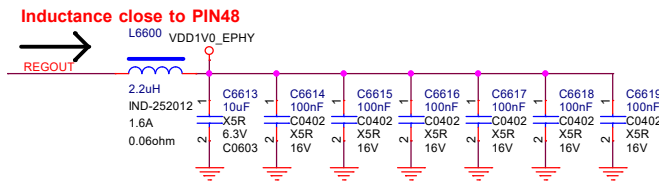


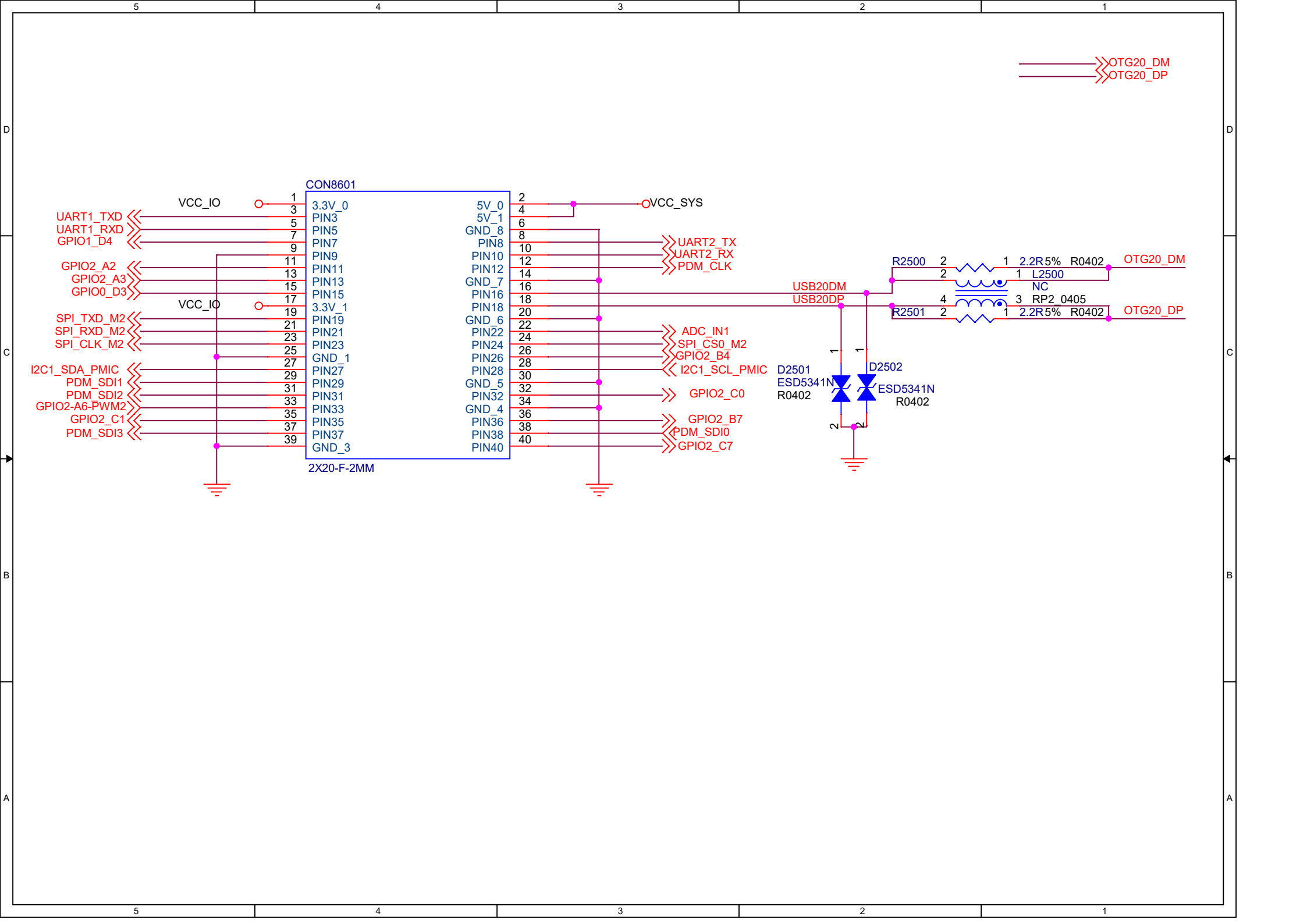
GMAC 10/100/1000 RGMII Ethernet PHY

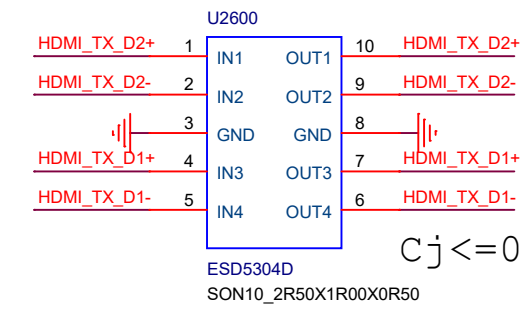
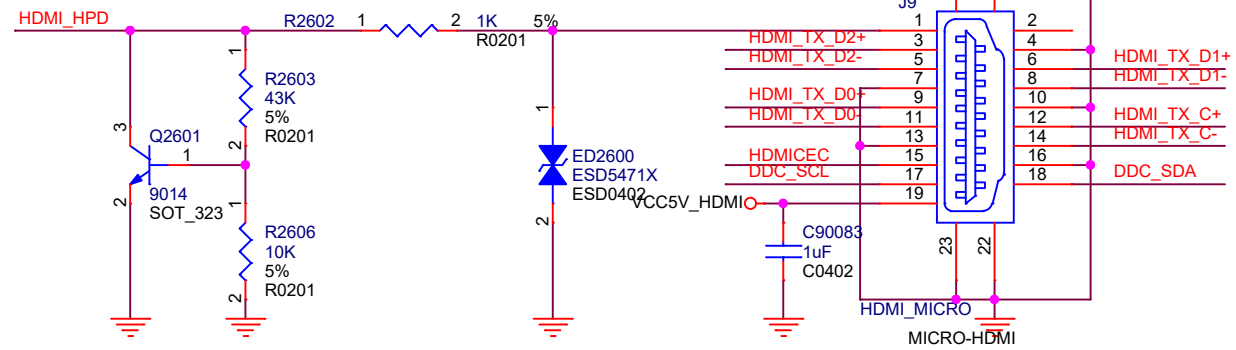
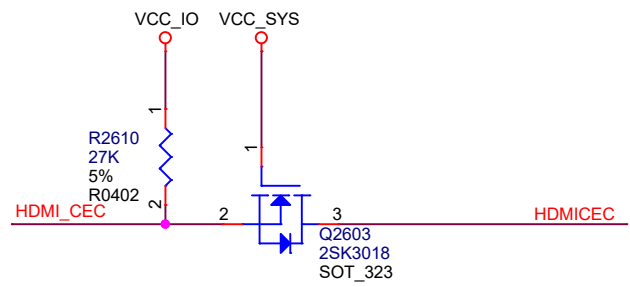
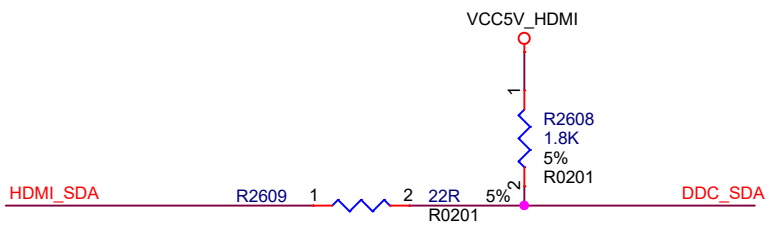
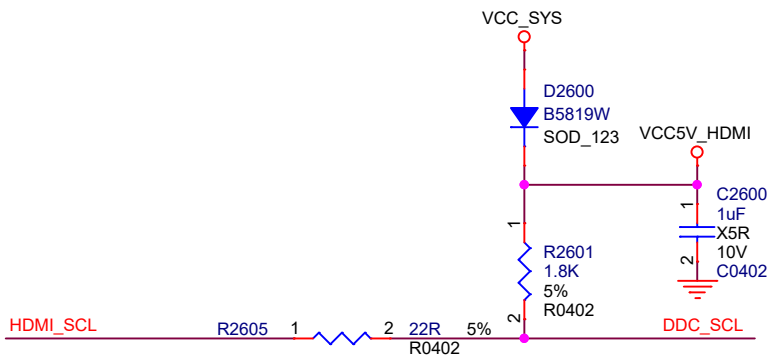


Pull down for 2.5V RGMII(RTL8211D/8211E)
Pull up for 3.3V RGMII (RTL8211D/8211E)
Pull up1.5 /1.8V RGMII (RTL8211E-VL only)

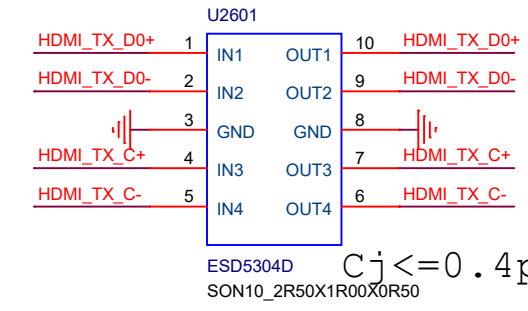
Connect ENSWREG to AVDD33 to enable Switching regulator or connect ENSWREG to GND to disable Switching regulator.







$C_j \leq 0.4 \text{ pF}$



$C_j \leq 0.4 \text{ pF}$

