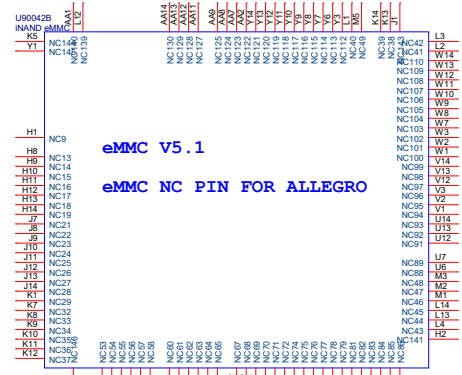
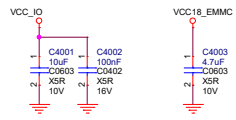
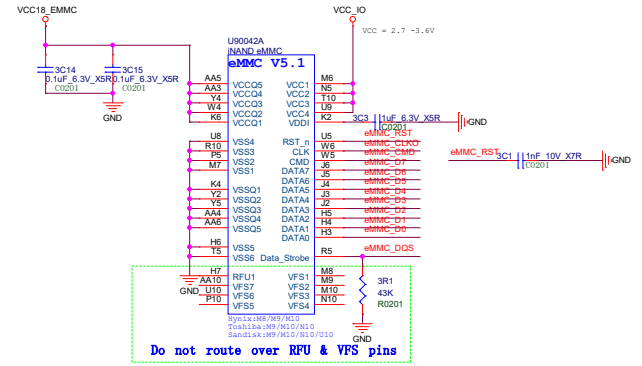
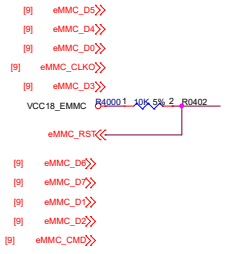
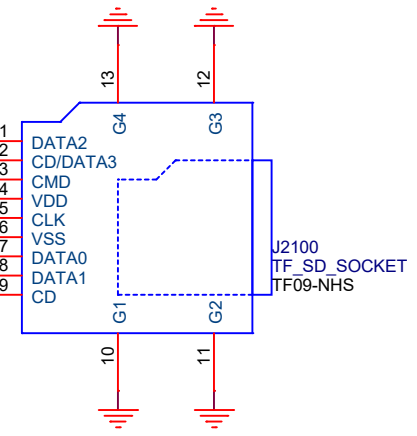
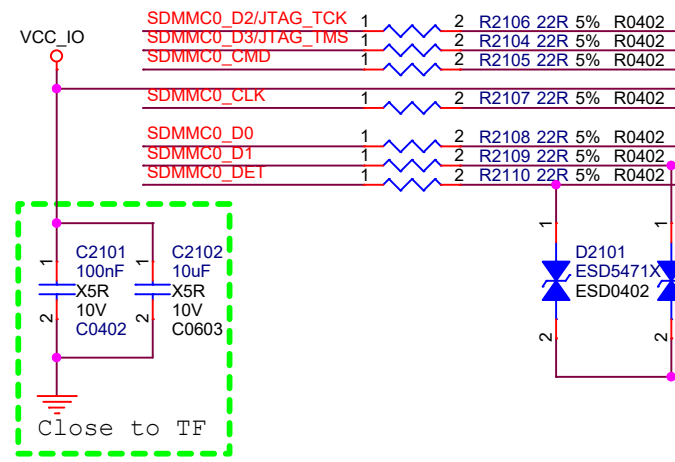
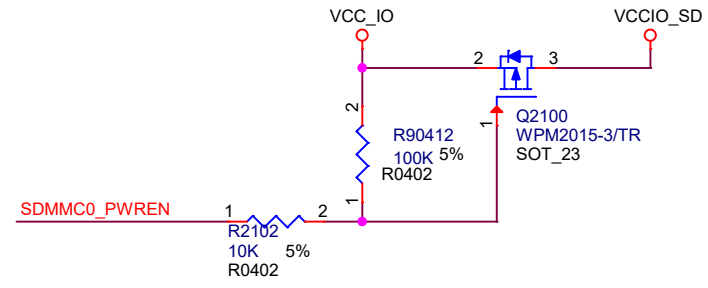


**eMMC**  
PCB Decal:169pin balls Type(BGA)

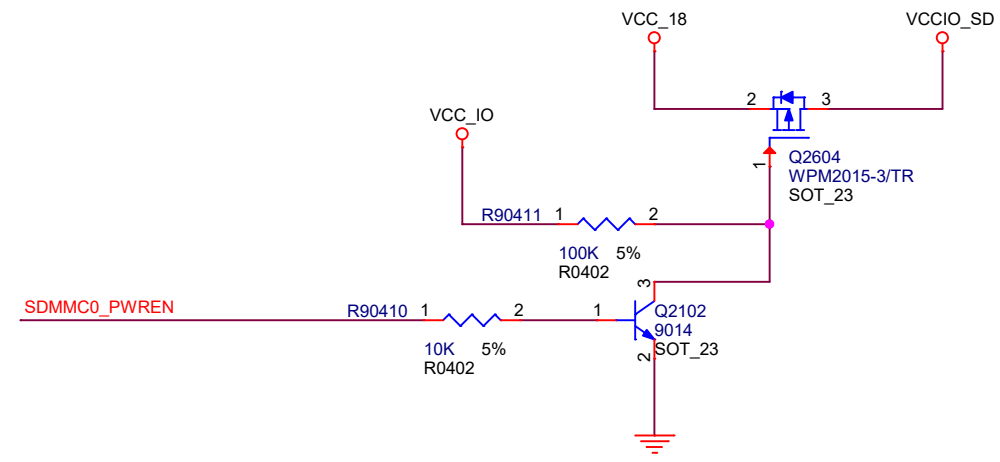


BOOT\_5[NAND\_D5]: 0= USB Boot First

- >>SDMMC0\_D0
- >>SDMMC0\_D1
- >>SDMMC0\_D2/JTAG\_TCK
- >>SDMMC0\_D3/JTAG\_TMS
- >>SDMMC0\_CMD
- >>SDMMC0\_CLK
- <<SDMMC0\_DET
- >>SDMMC0\_PWREN

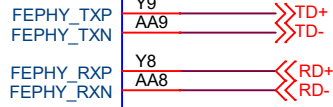


TF Card



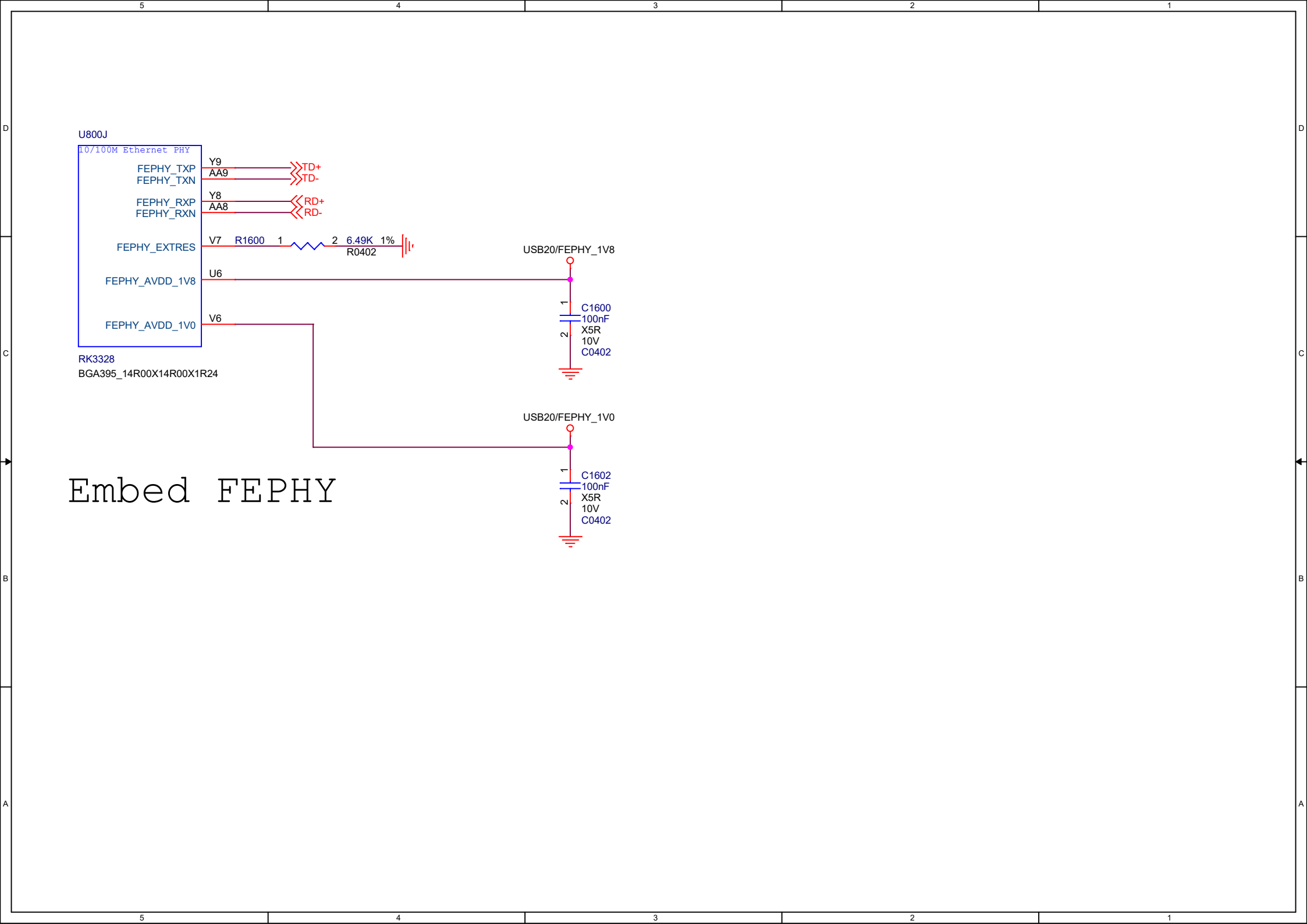
U800J

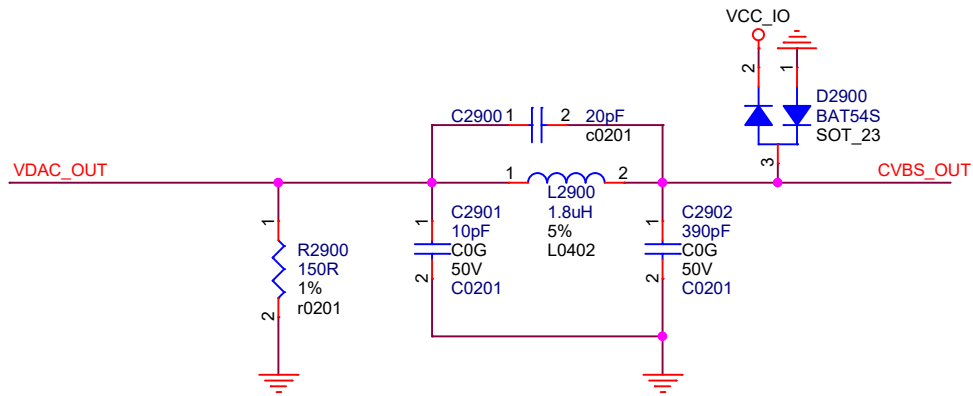
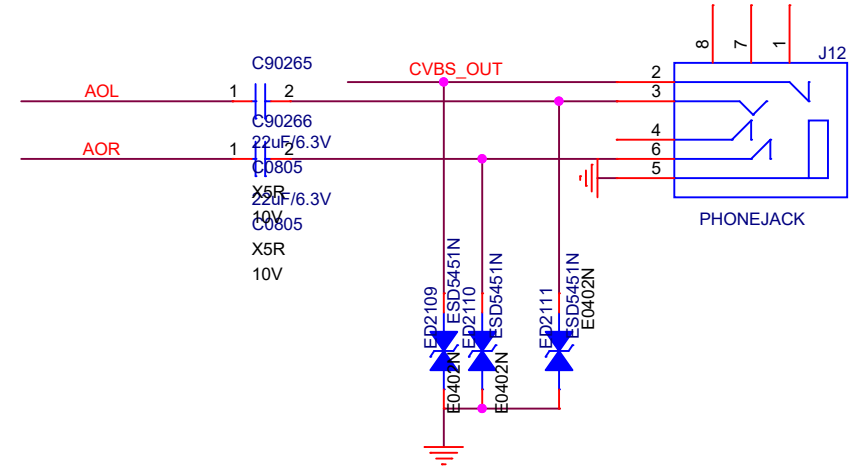
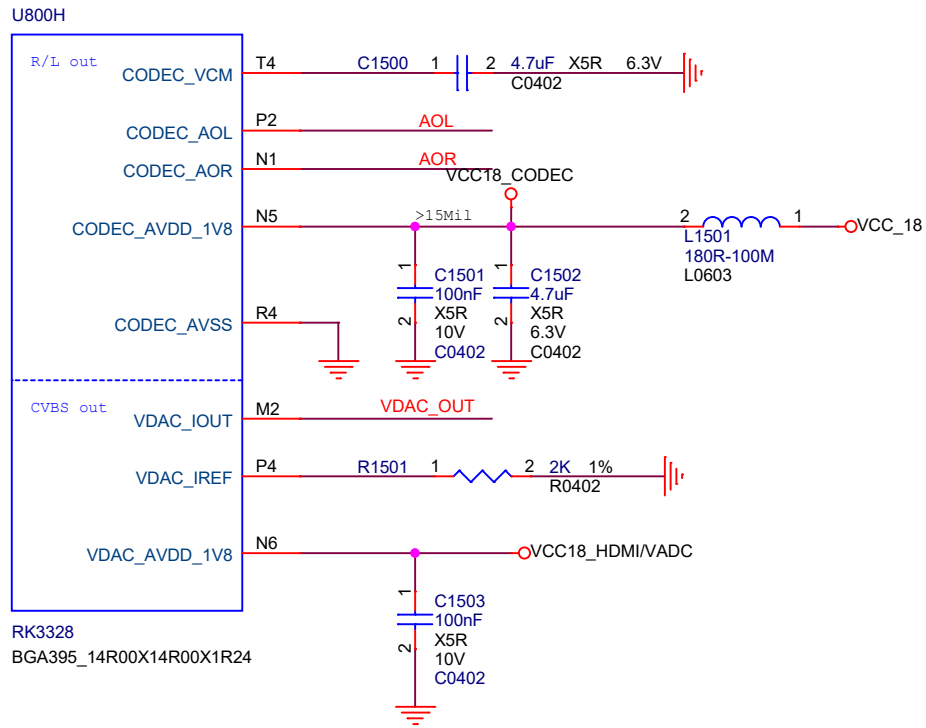
10/100M Ethernet PHY



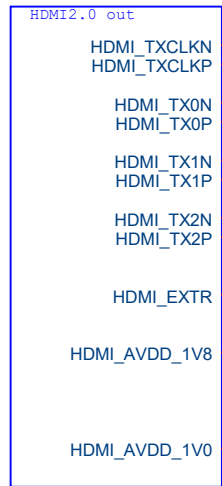
RK3328  
BGA395\_14R00X14R00X1R24

Embed FEPHY

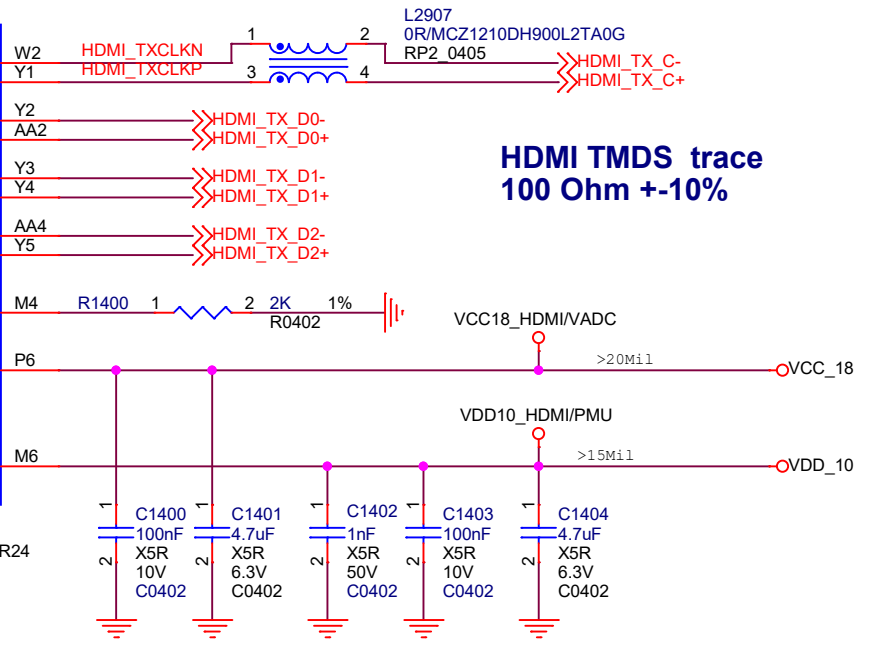


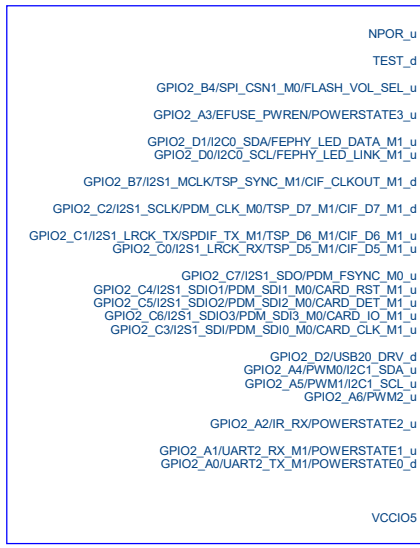


U8001

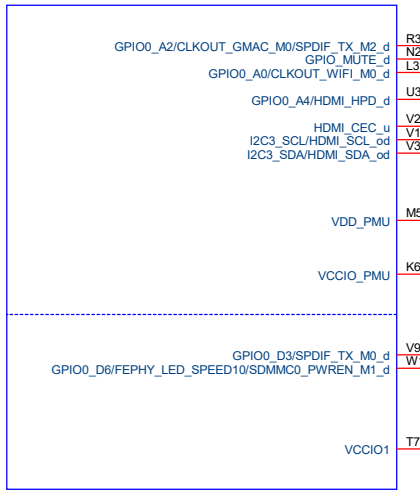


RK3328  
BGA395\_14R00X14R00X1R24

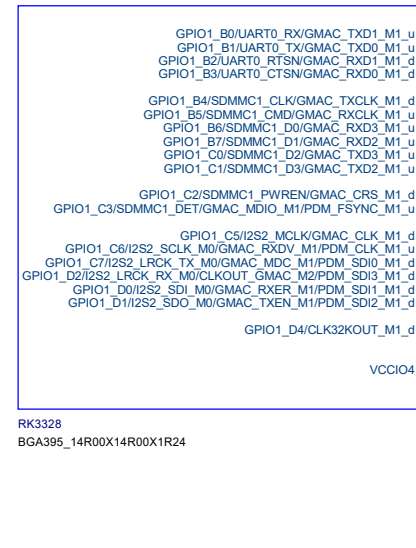




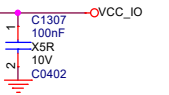
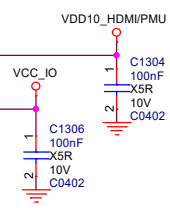
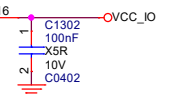
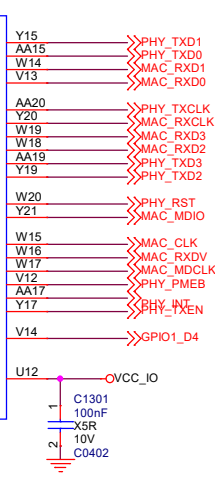
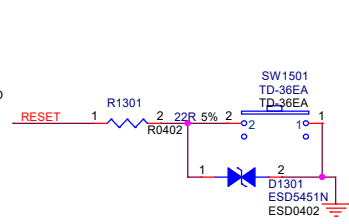
RK3328 BGA395\_14R00X14R00X1R24



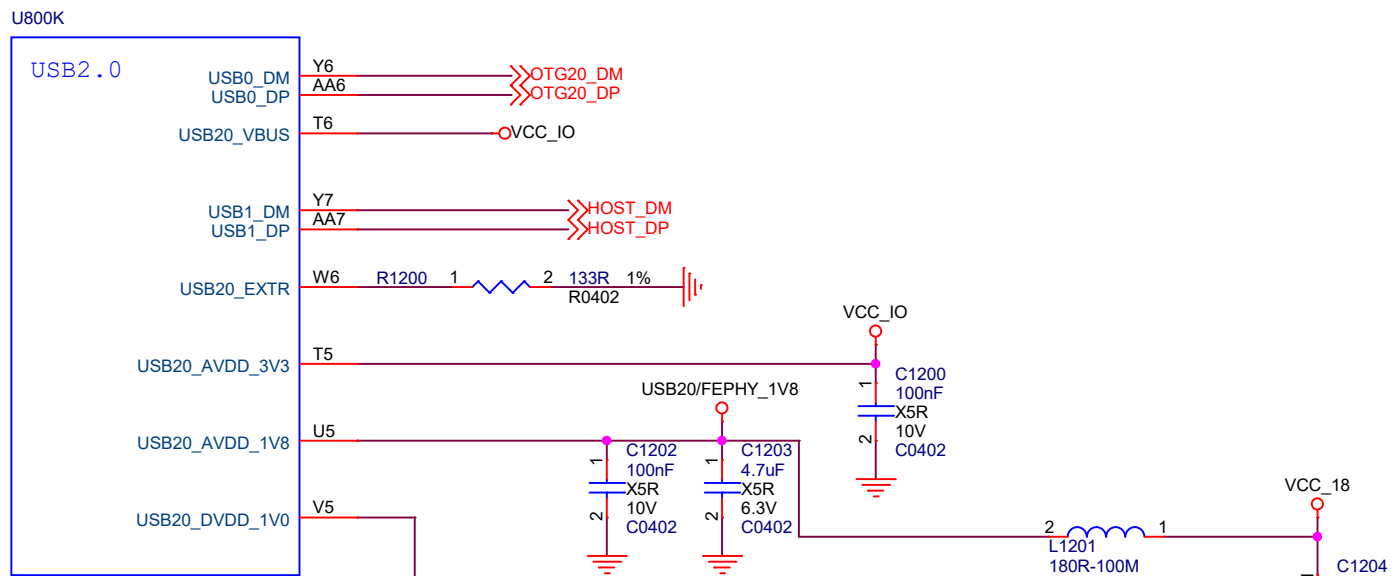
RK3328 BGA395\_14R00X14R00X1R24



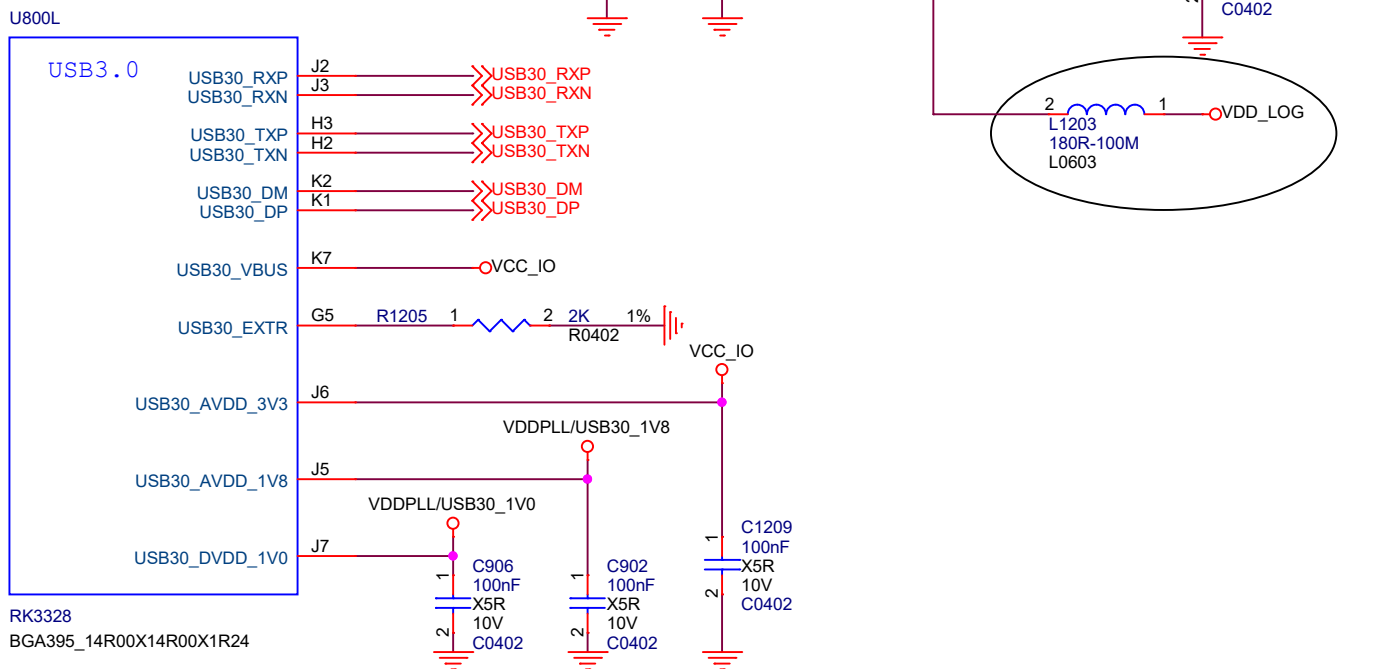
RK3328 BGA395\_14R00X14R00X1R24



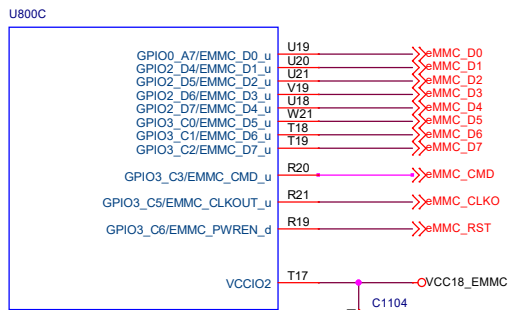




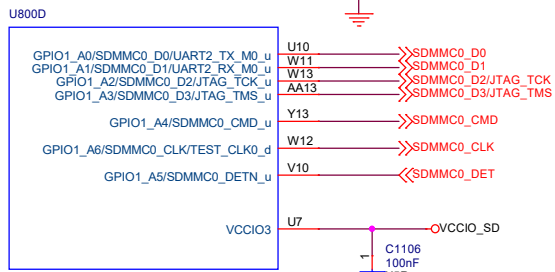
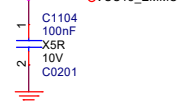
RK3328  
BGA395\_14R00X14R00X1R24



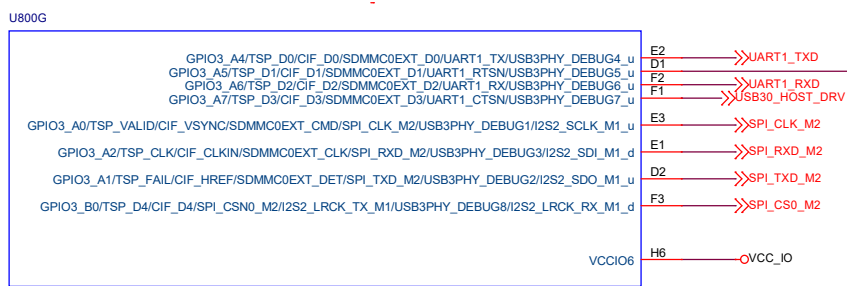
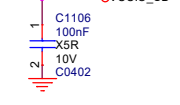
RK3328  
BGA395\_14R00X14R00X1R24



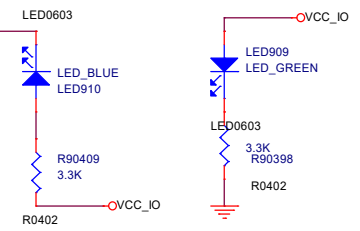
RK3328  
BGA395\_14R00X14R00X1R24

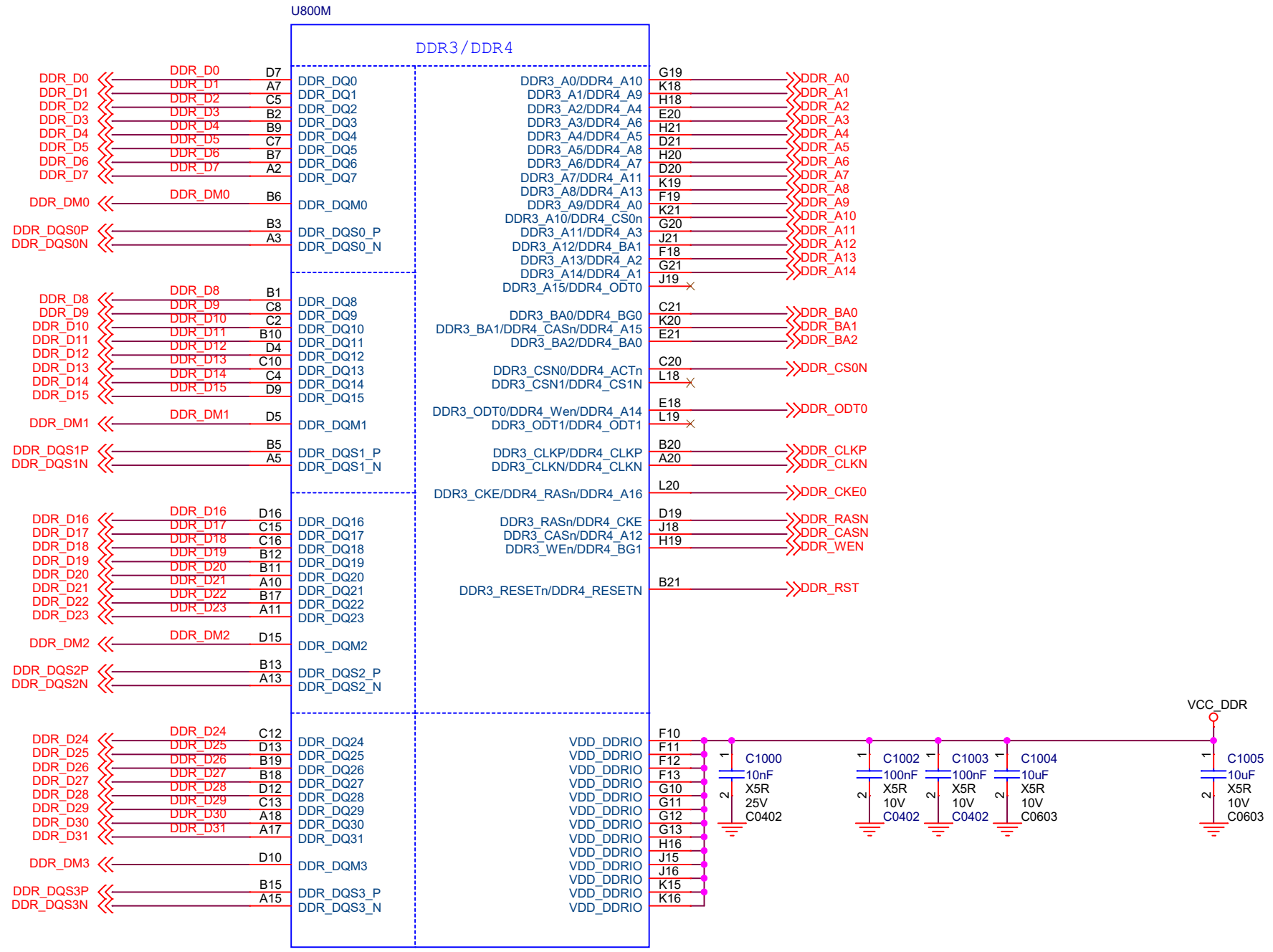


RK3328  
BGA395\_14R00X14R00X1R24

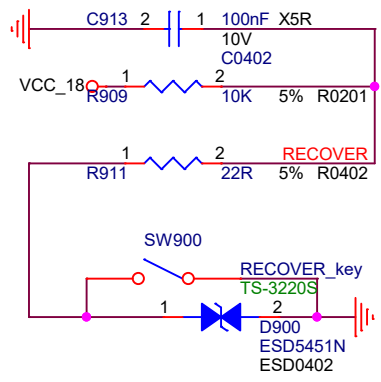
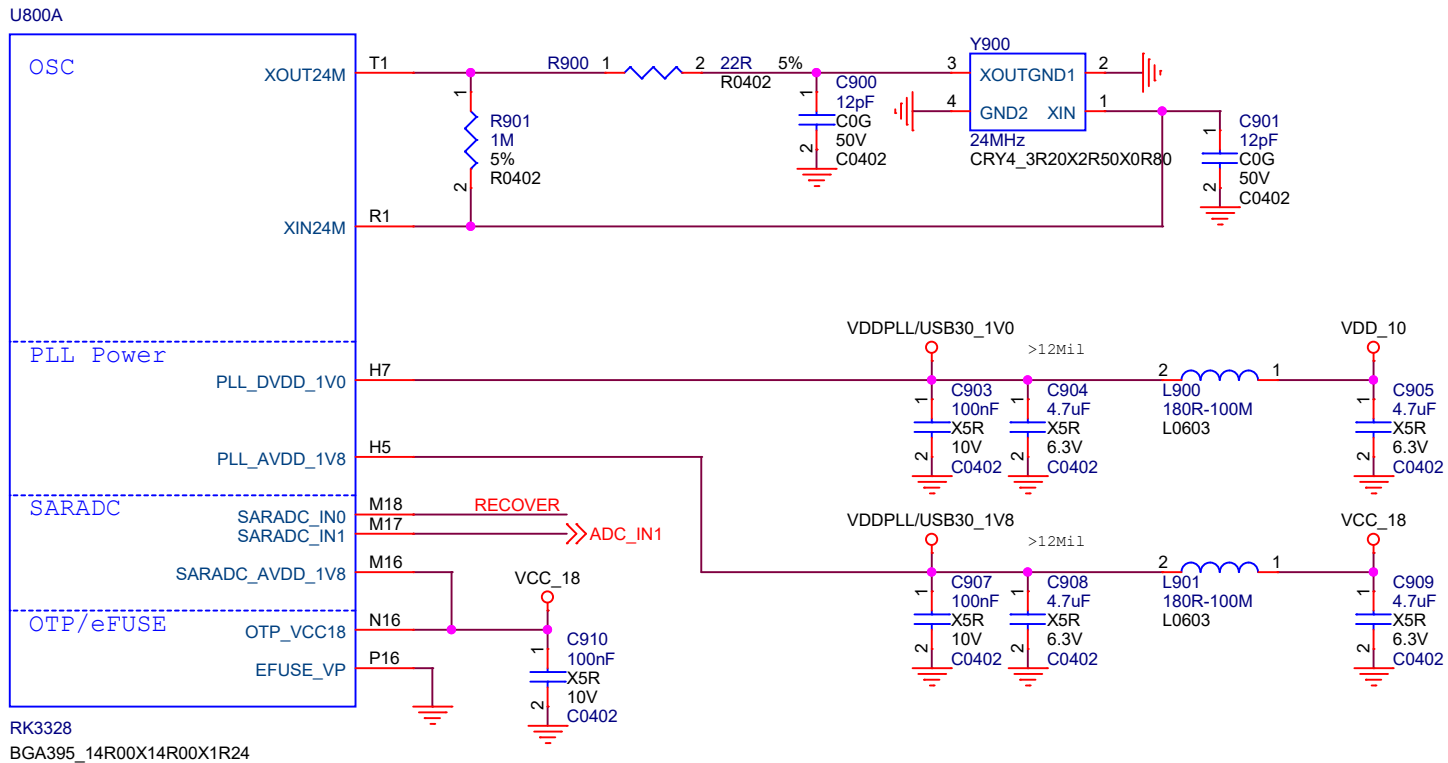


RK3328  
BGA395\_14R00X14R00X1R24

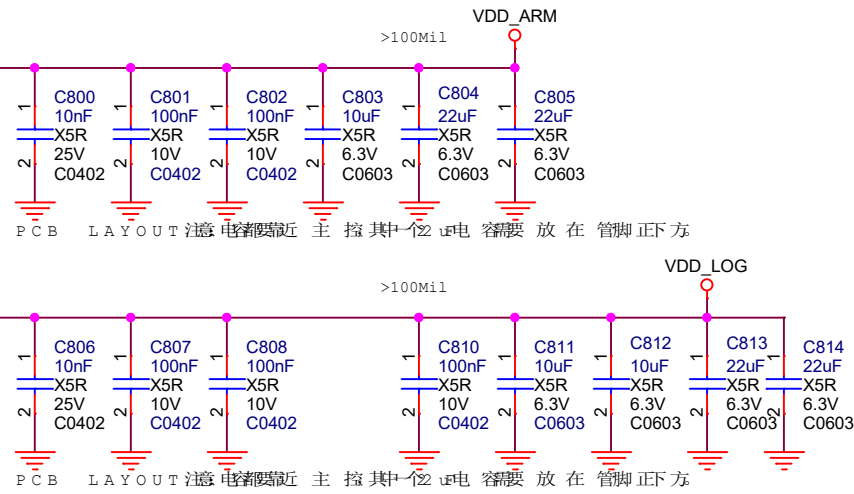
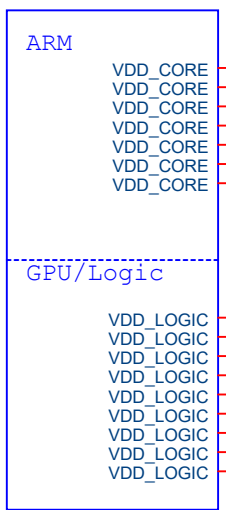




RK3328  
BGA395\_14R00X14R00X1R24

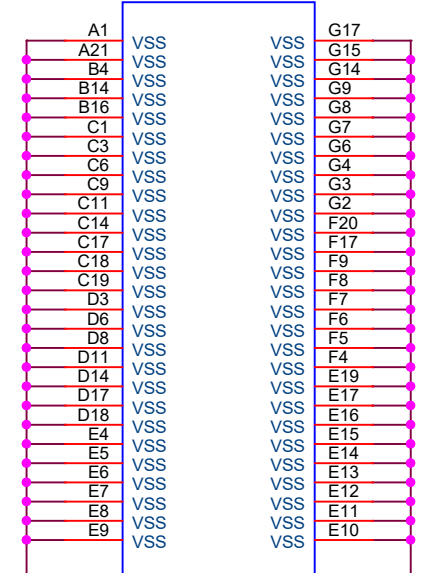


U800N



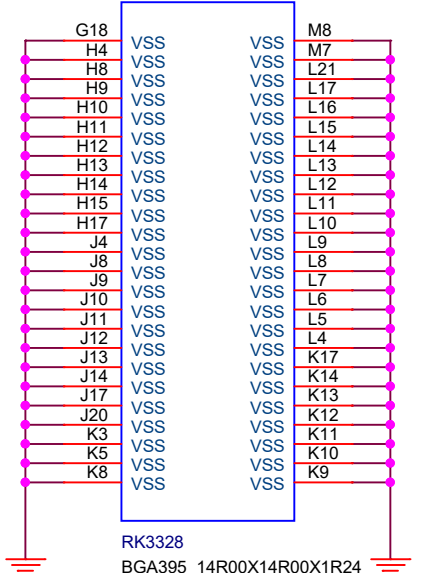
RK3328  
BGA395\_14R00X14R00X1R24

U800O



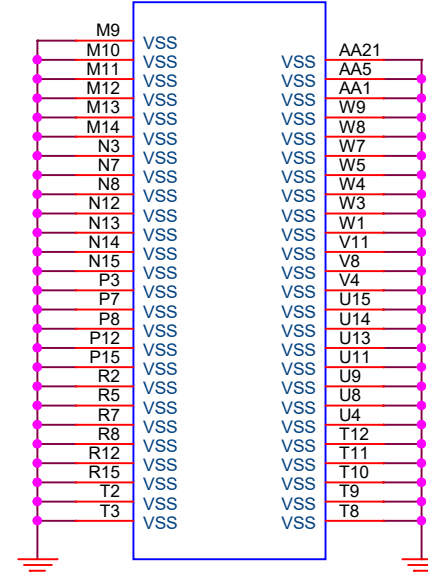
RK3328  
BGA395\_14R00X14R00X1R24

U800P

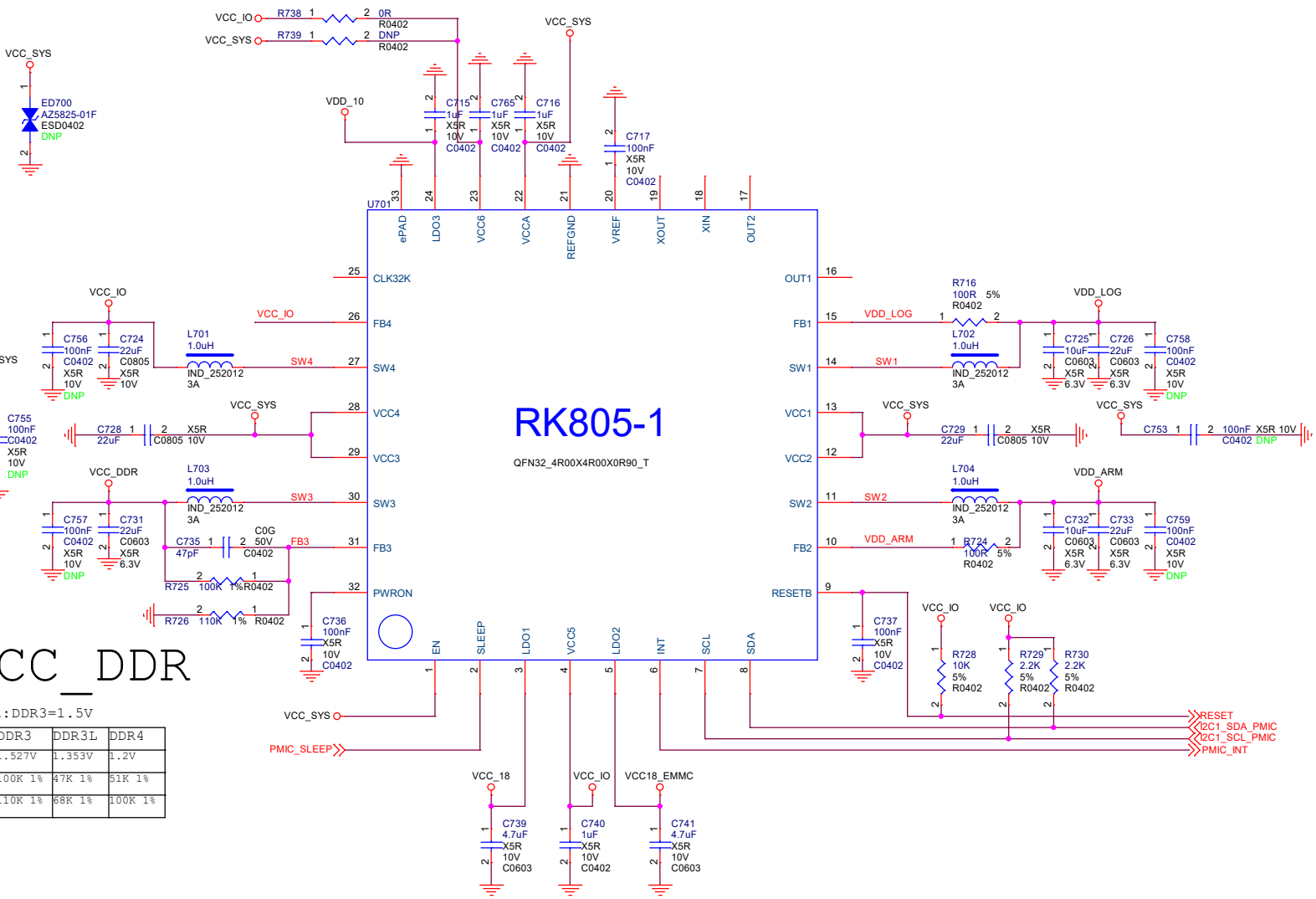


RK3328  
BGA395\_14R00X14R00X1R24

U800Q



RK3328  
BGA395\_14R00X14R00X1R24

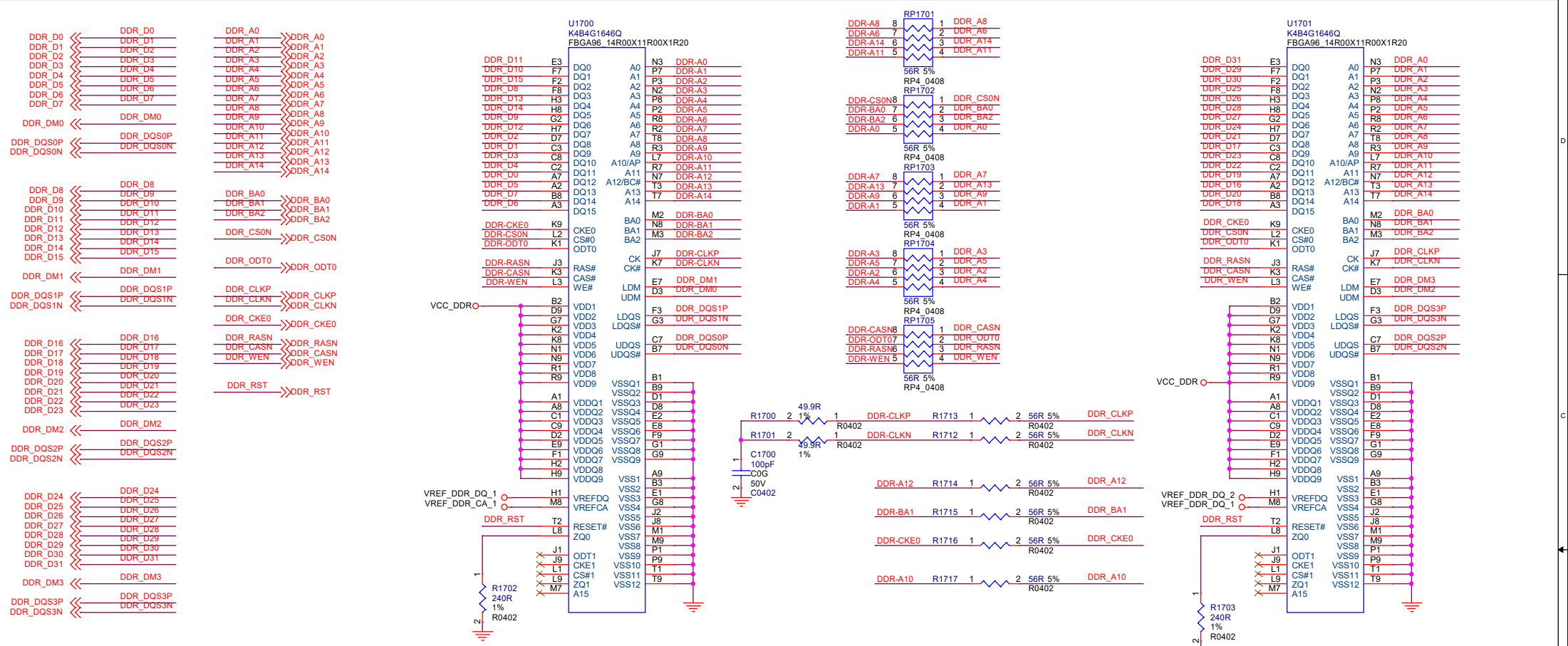


# VCC\_DDR

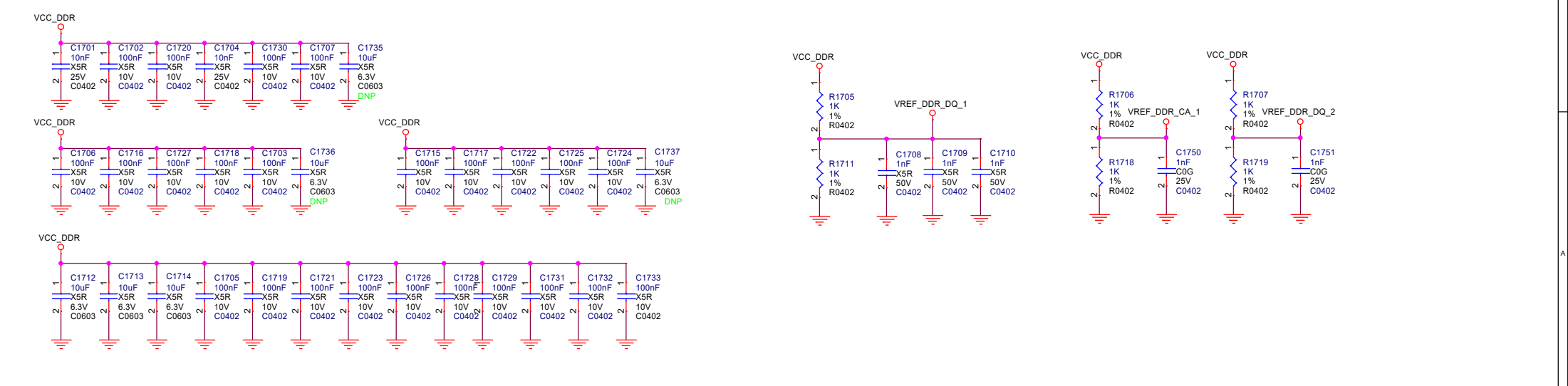
Default:DDR3=1.5V

	DDR3	DDR3L	DDR4
VCC_DDR	1.527V	1.353V	1.2V
R725	100K 1%	47K 1%	51K 1%
R726	110K 1%	68K 1%	100K 1%

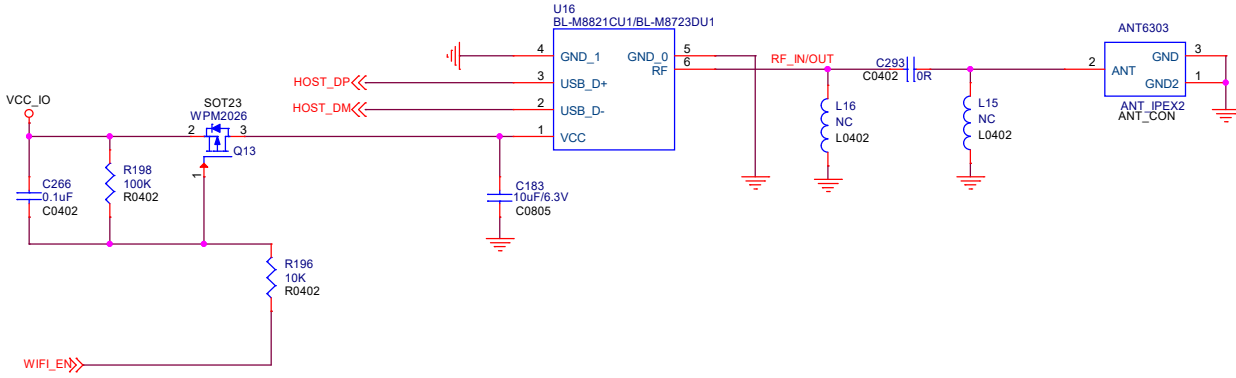
- M700 MARK X
- M701 MARK X
- M702 MARK X
- M703 MARK X
- M704 MARK X
- M705 MARK X



## 2X16bit DDR3

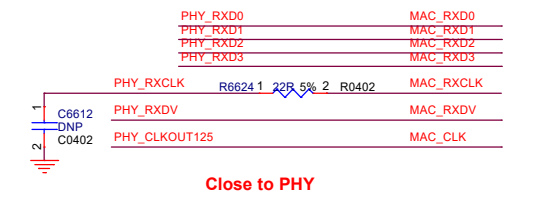
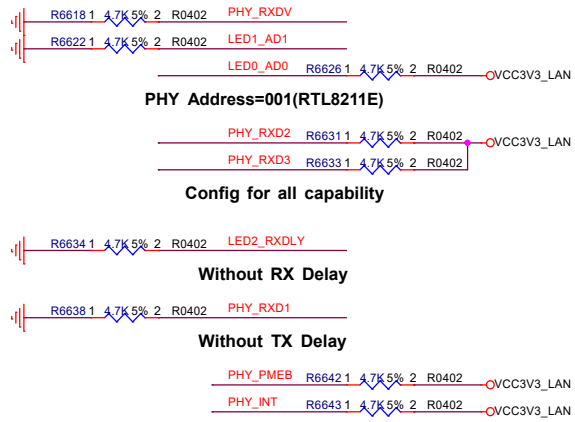
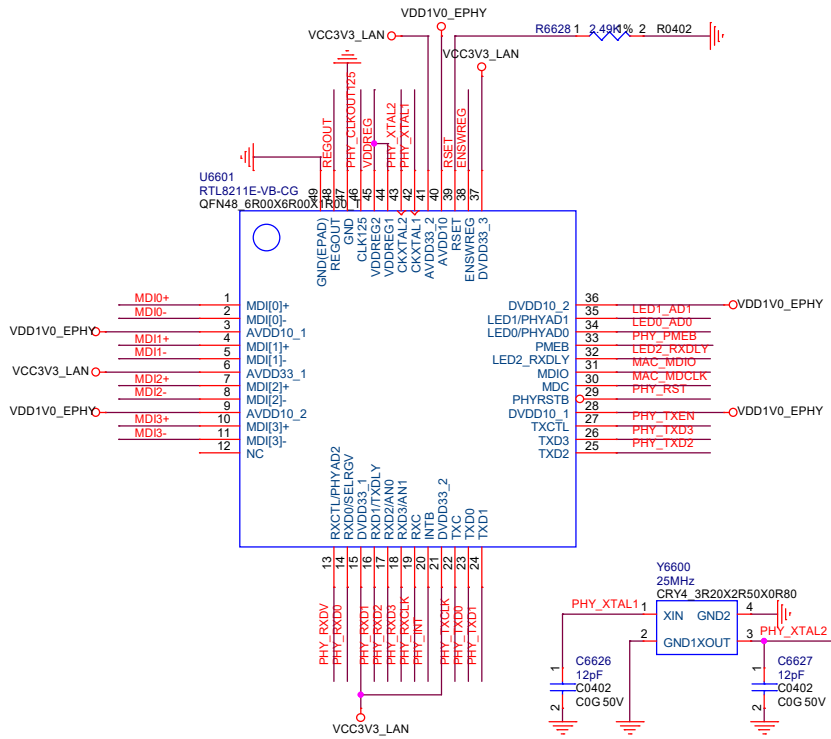
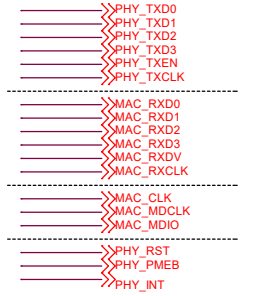
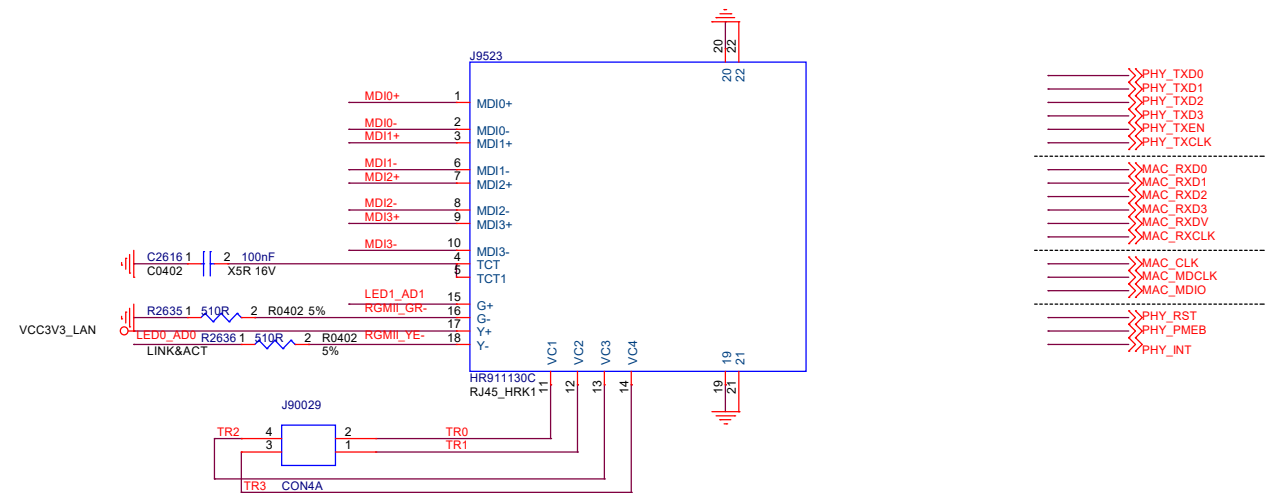


# 8821 or 8723





# GMAC 10/100/1000 RGMII Ethernet PHY



PHY\_RXD0 R6637 1 4.7K 5% 2 R0402 VCC3V3\_LAN

**Close to PHY**

PHY\_RXD0 R6637 1 4.7K 5% 2 R0402 VCC3V3\_LAN

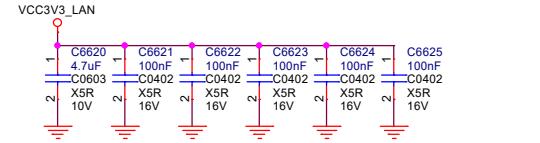
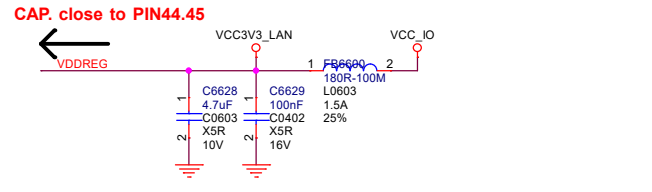
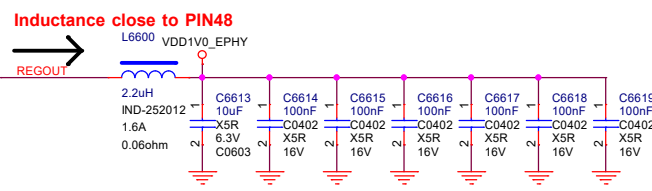
**Pull down for 2.5V RGMII(RTL8211D/8211E)**

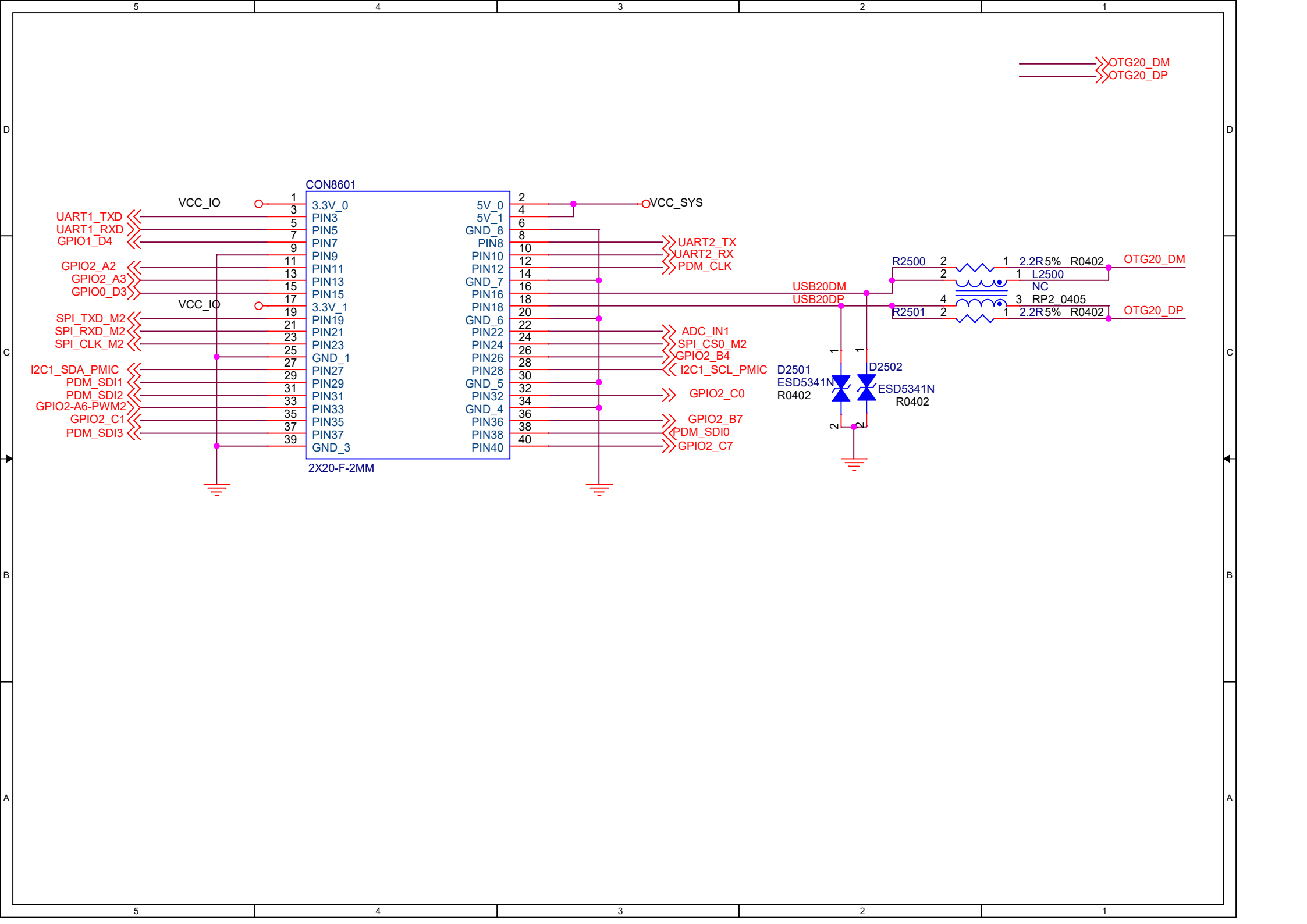
**Pull up for 3.3V RGMII (RTL8211D/8211E)**

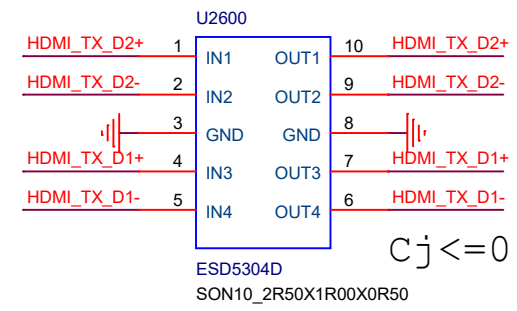
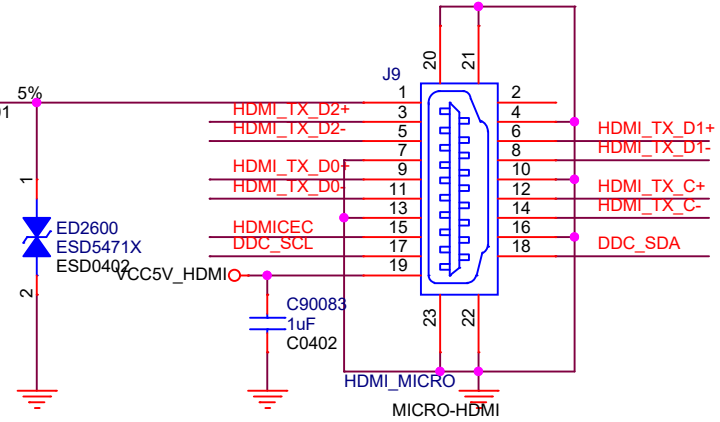
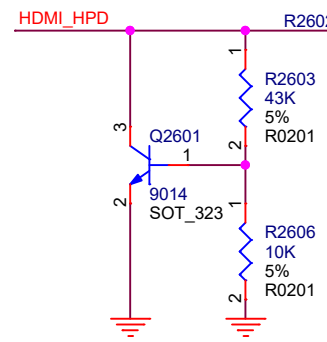
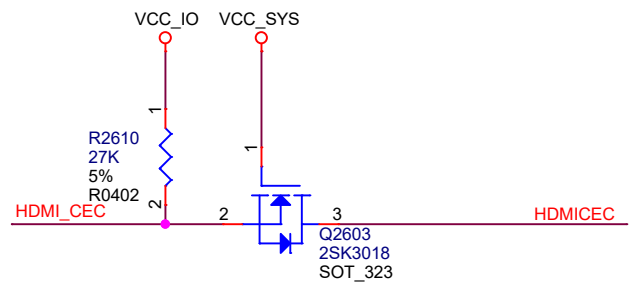
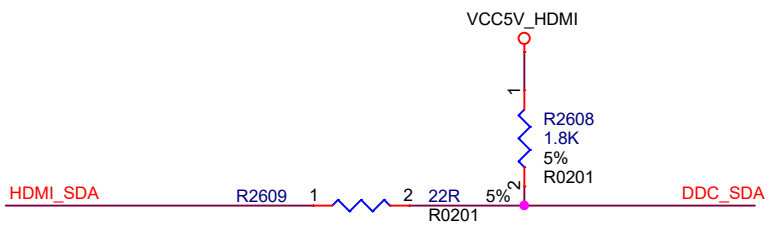
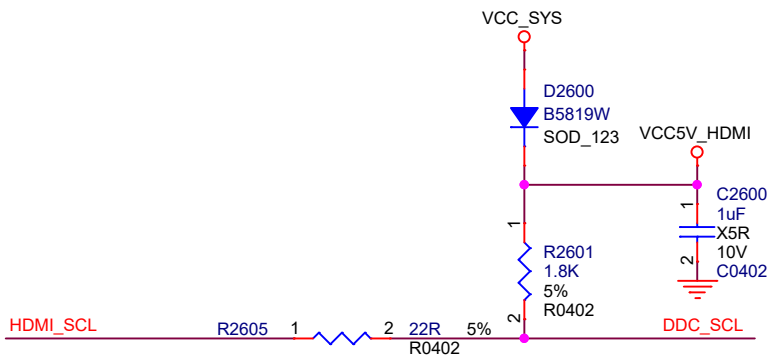
**Pull up 1.5 /1.8V RGMII (RTL8211E-VL only)**

ENSWREG R6641 1 0R 5% 2 R0402 VCC3V3\_LAN

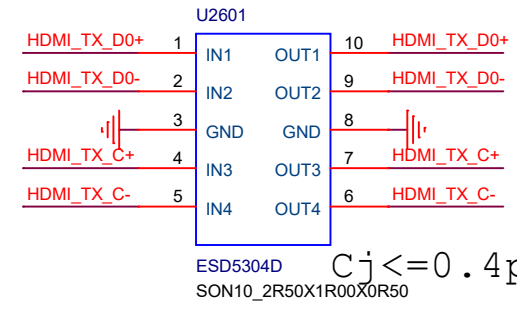
Connect ENSWREG to AVDD33 to enable Switching regulator or connect ENSWREG to GND to disable Switching regulator.







$C_j \leq 0.4 \text{ pF}$



$C_j \leq 0.4 \text{ pF}$

