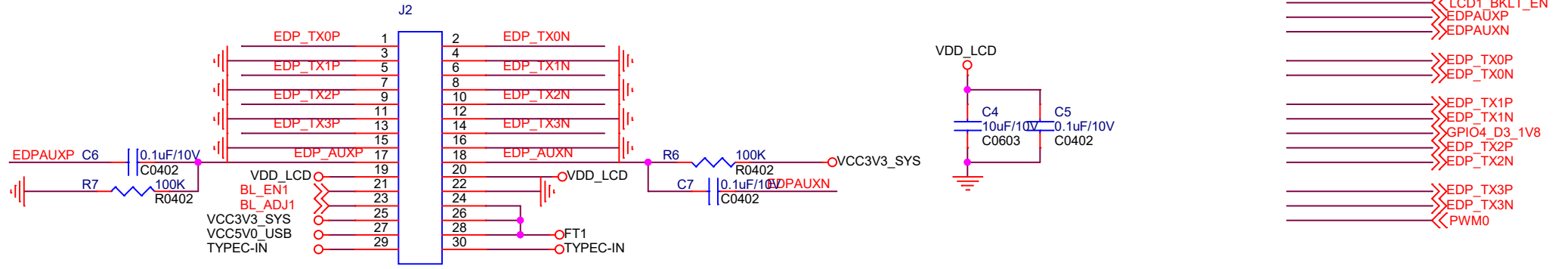
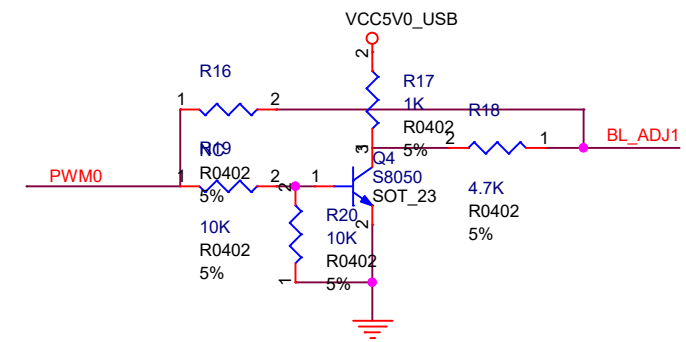
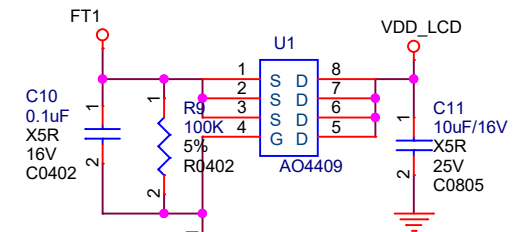
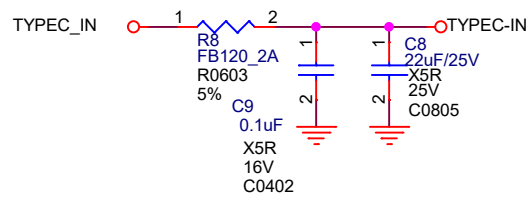
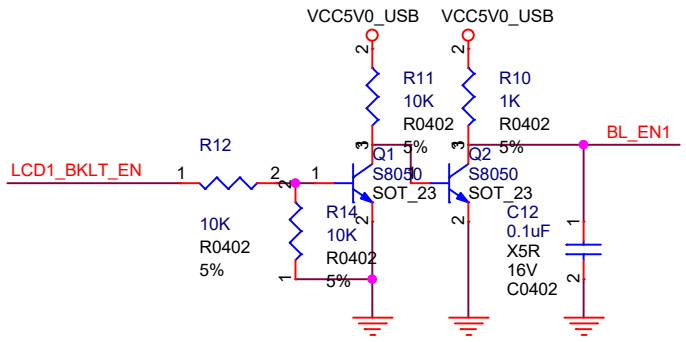


File	<Title>
Rev	Document Number
Client+Doc#	
Date	Monday, September 16, 2019
Sheet	1 of 12

eDP Panel

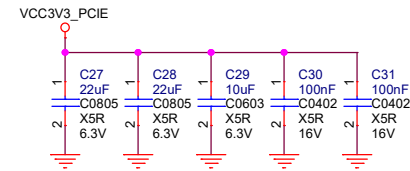
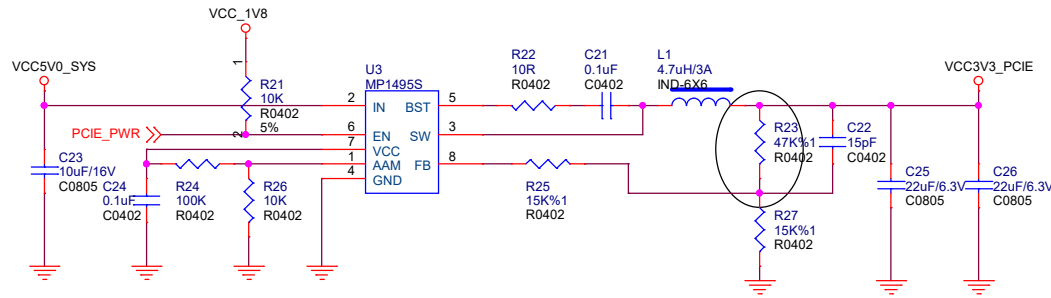
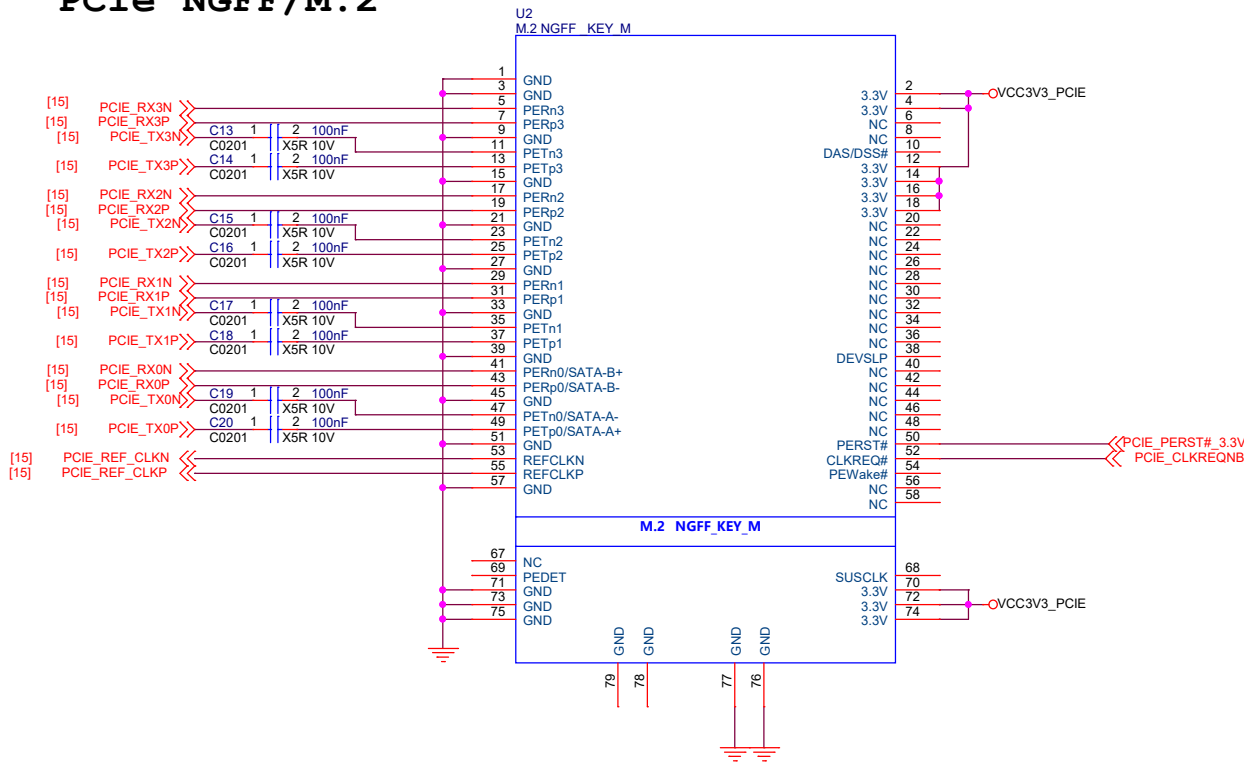


PH2P0-2X15-S30P



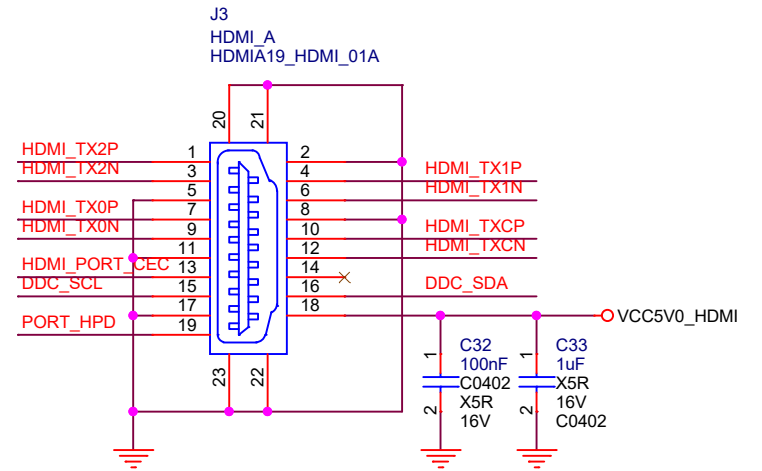
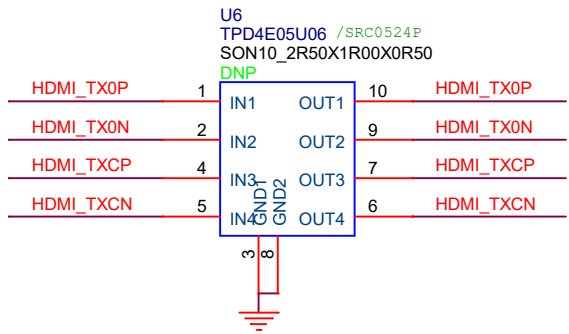
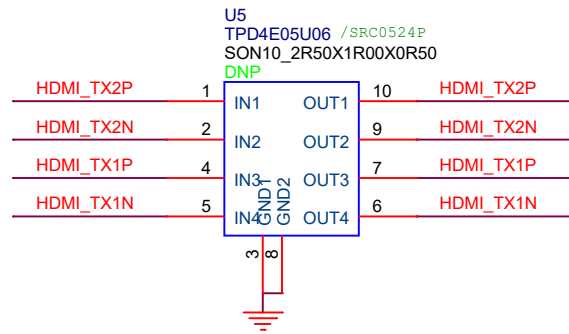
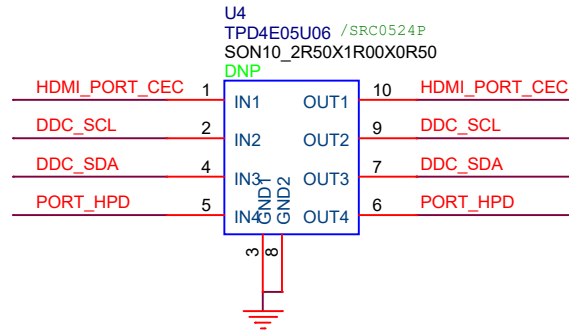
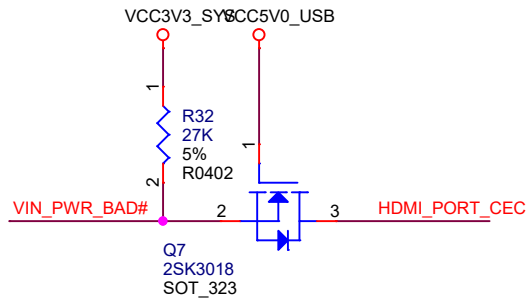
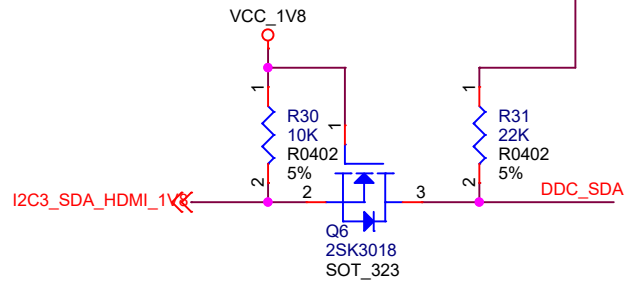
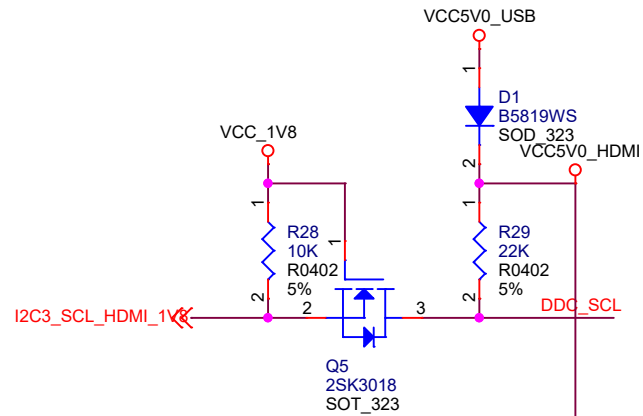
Title			<Title>
Size	Document Number	Rev	
A4	<Doc>	<RevC>	
Date:	Monday, September 09, 2019	Sheet	2 of 12

PCIe NGFF/M.2



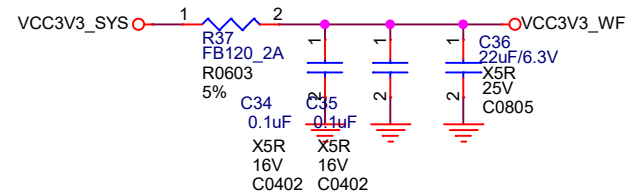
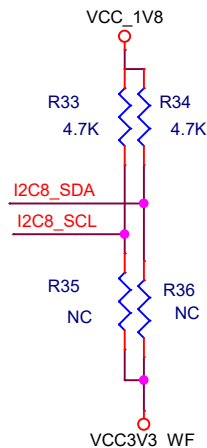
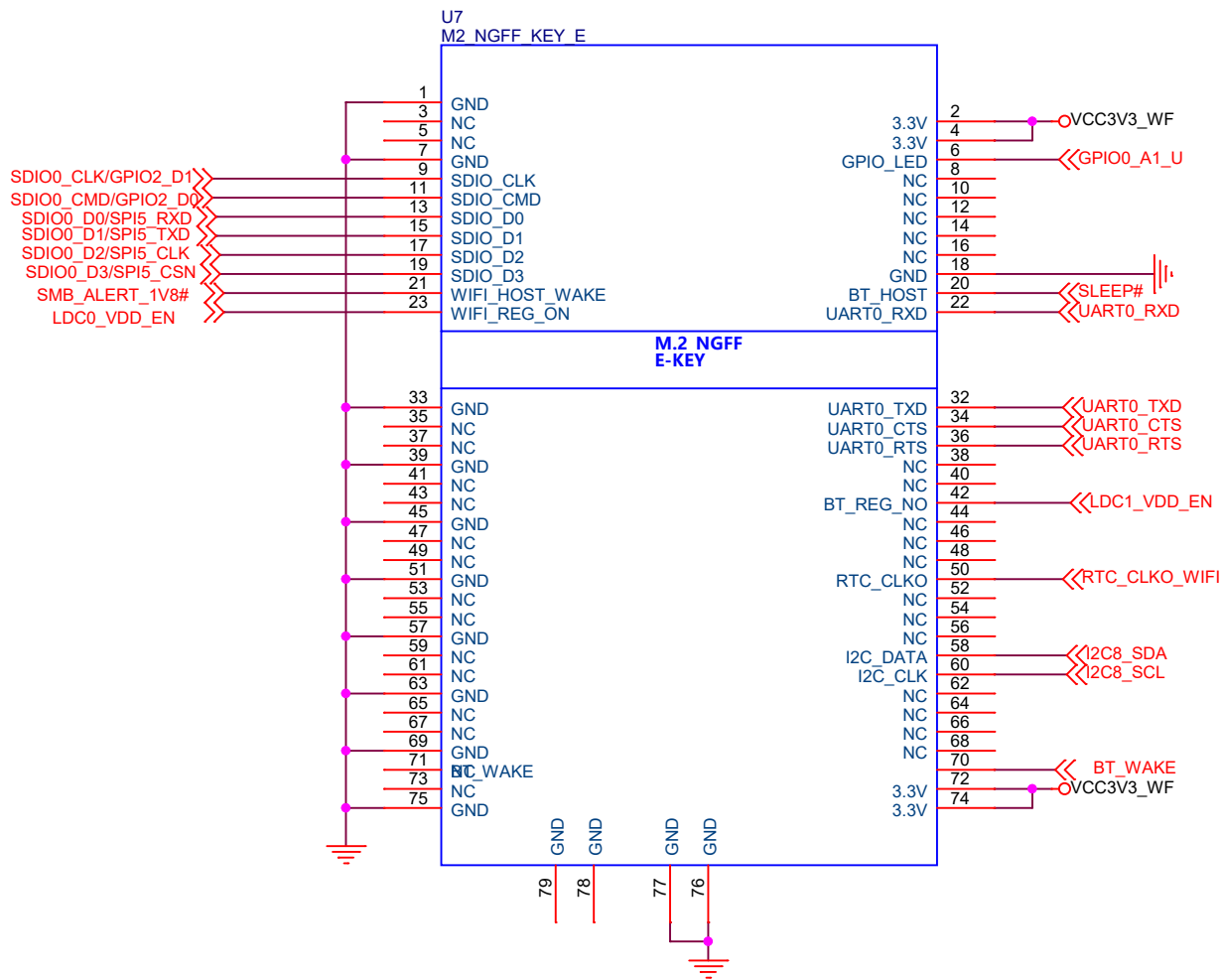
Title		
<Title>		
Size	Document Number	Rev
B	<Doc>	<RevCode>
Date:	Monday, September 09, 2019	Sheet 3 of 12

HDMI Port

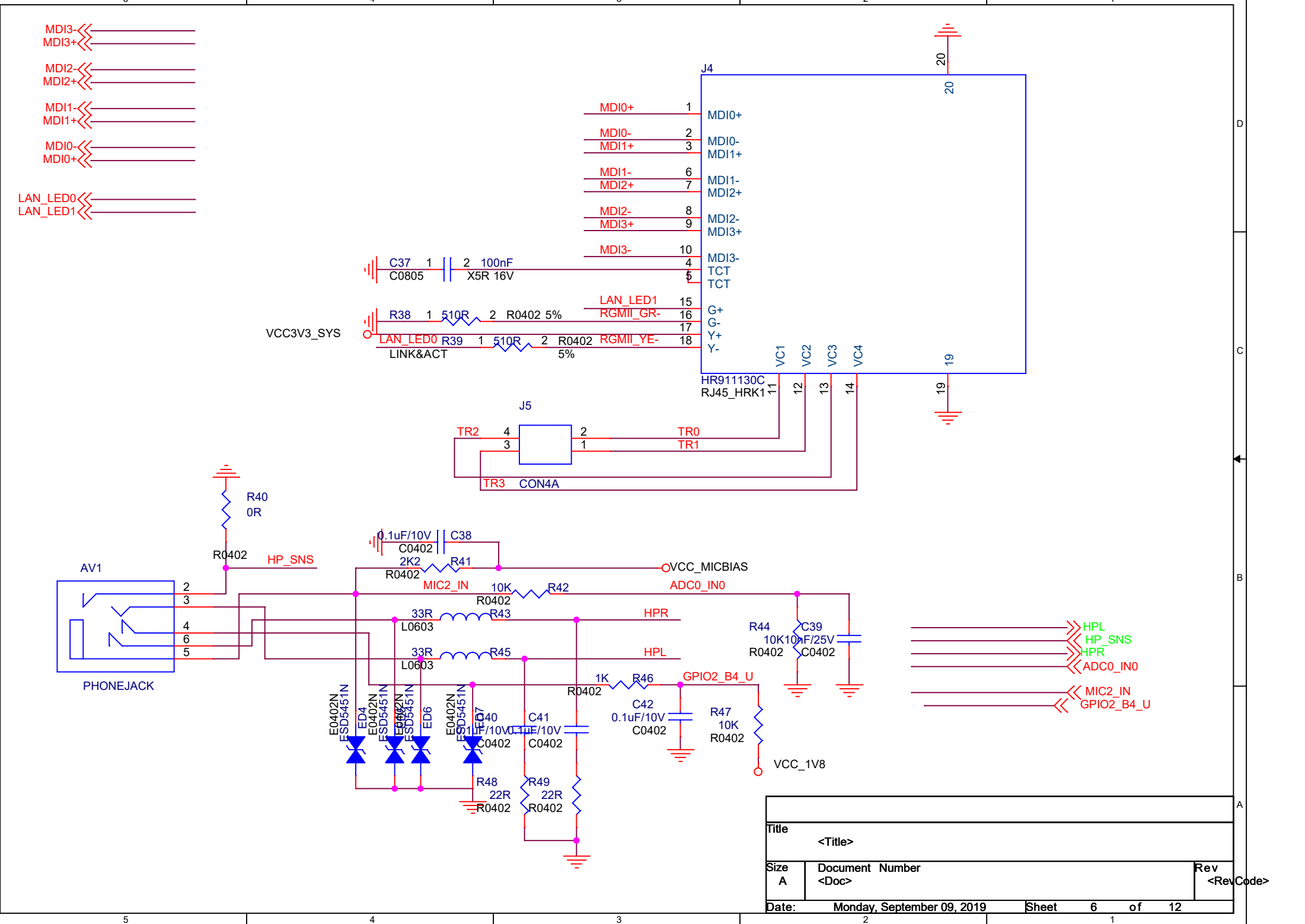


Title			<Title>
Size	Document Number	Rev	
A4	<Doc>	<RevC>	
Date:	Monday, September 09, 2019	Sheet	4 of 12

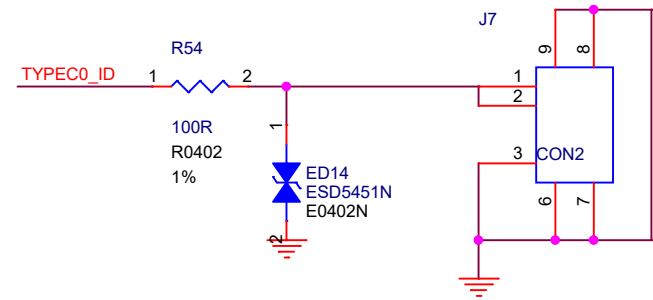
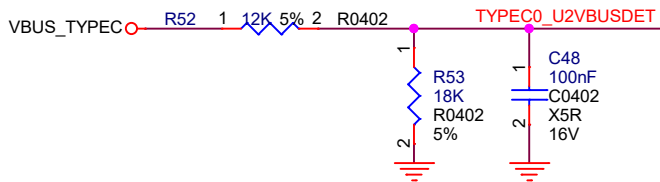
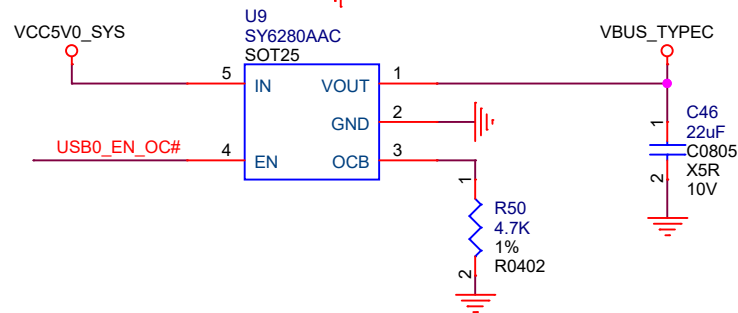
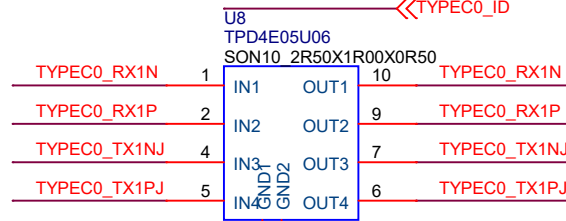
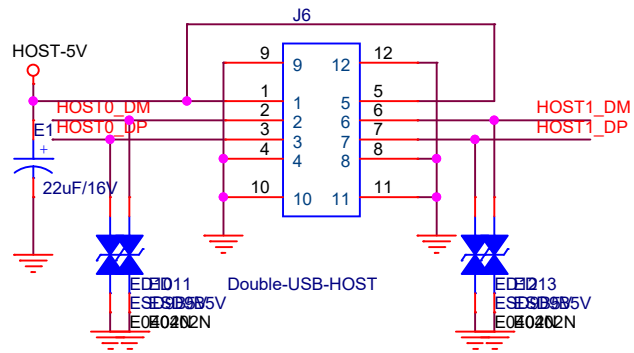
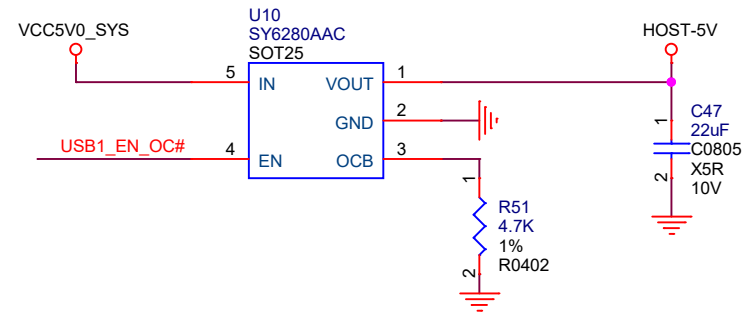
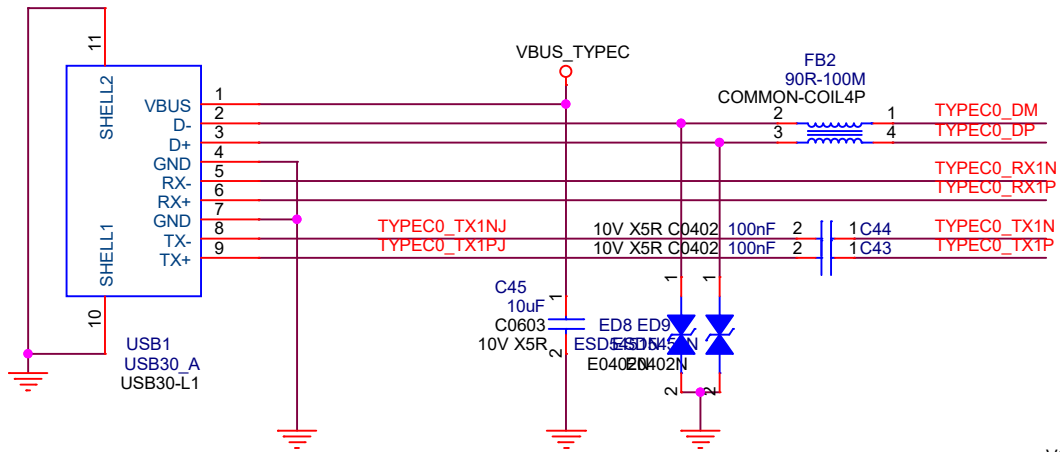
WIFI NGFF/M.2



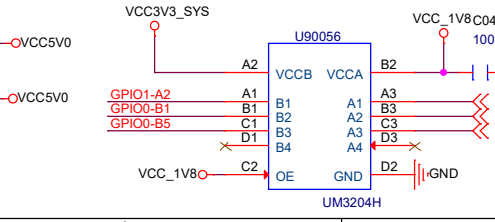
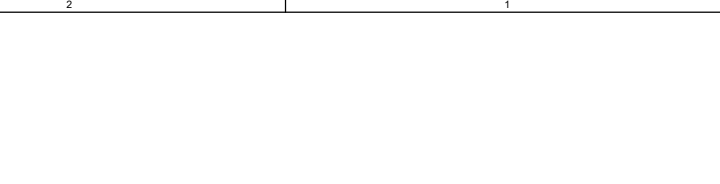
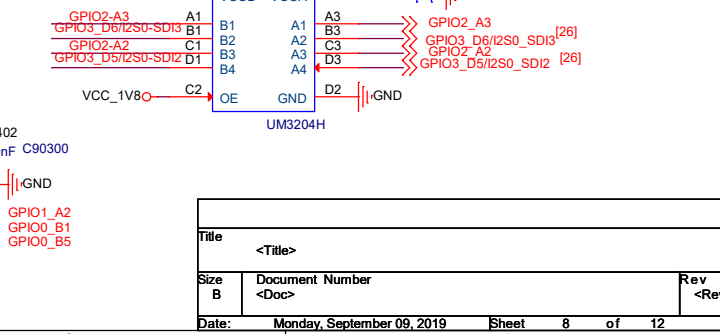
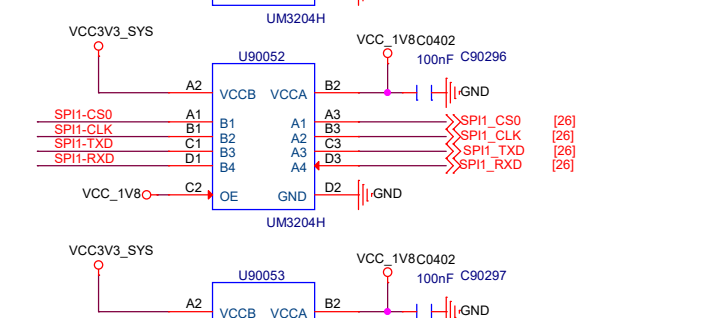
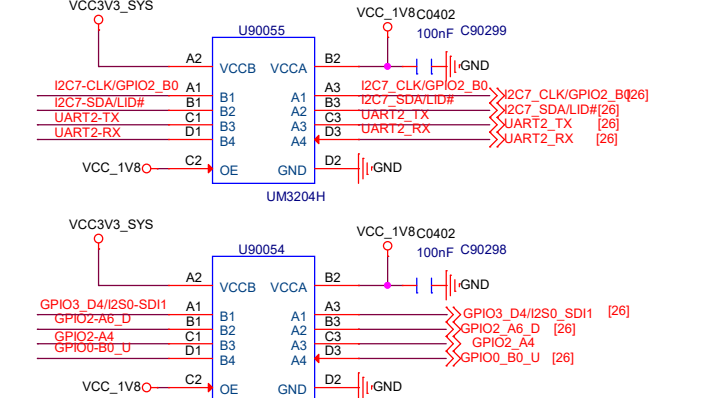
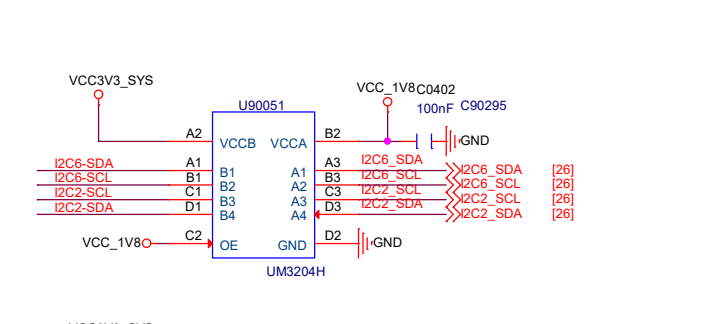
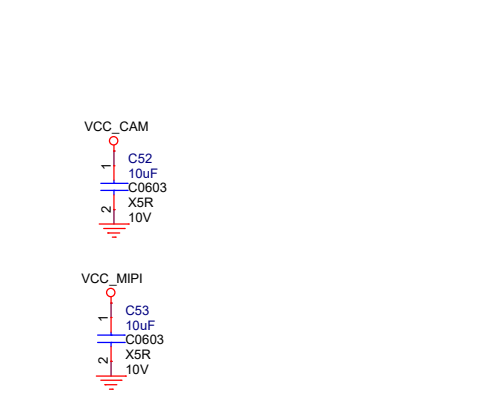
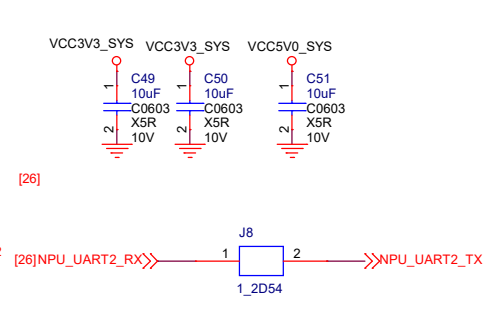
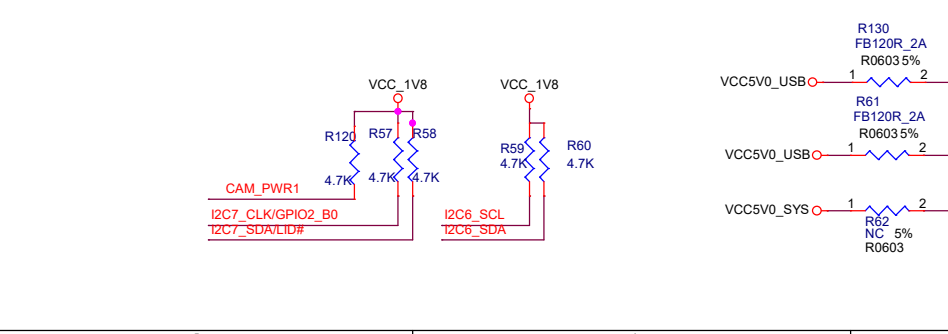
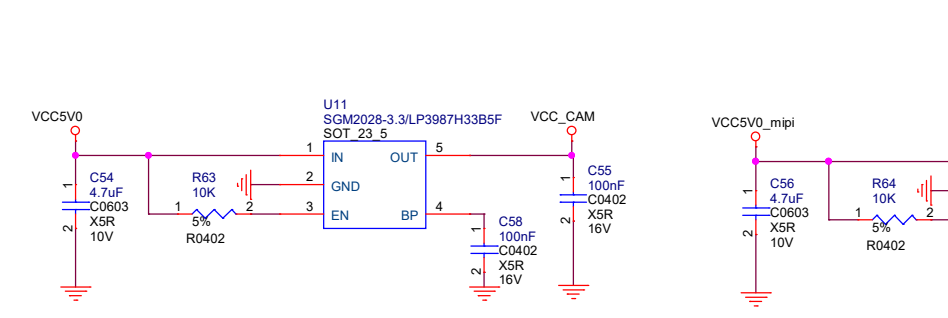
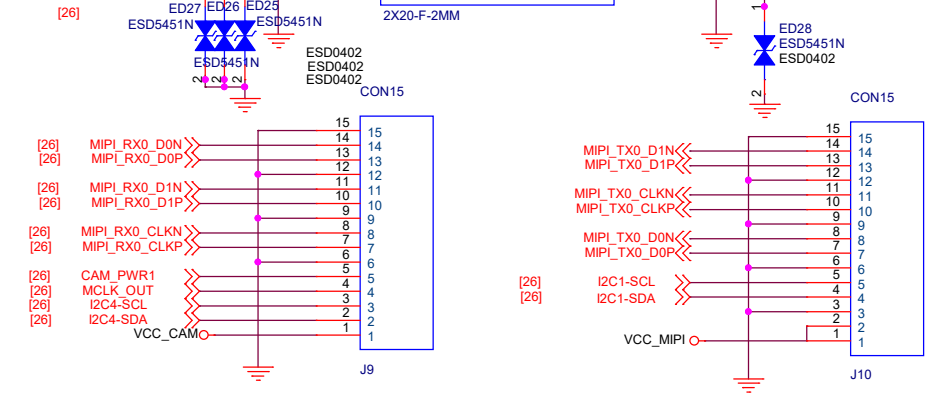
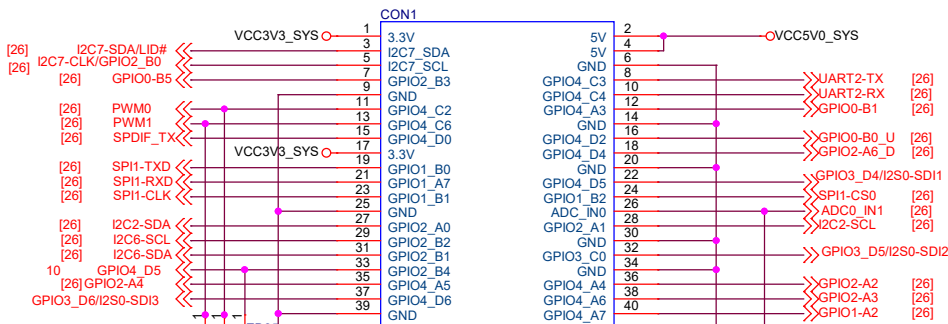
Title		
<Title>		
Size	Document Number	Rev
A4	<Doc>	<RevC>
Date:	Monday, September 09, 2019	Sheet 5 of 12



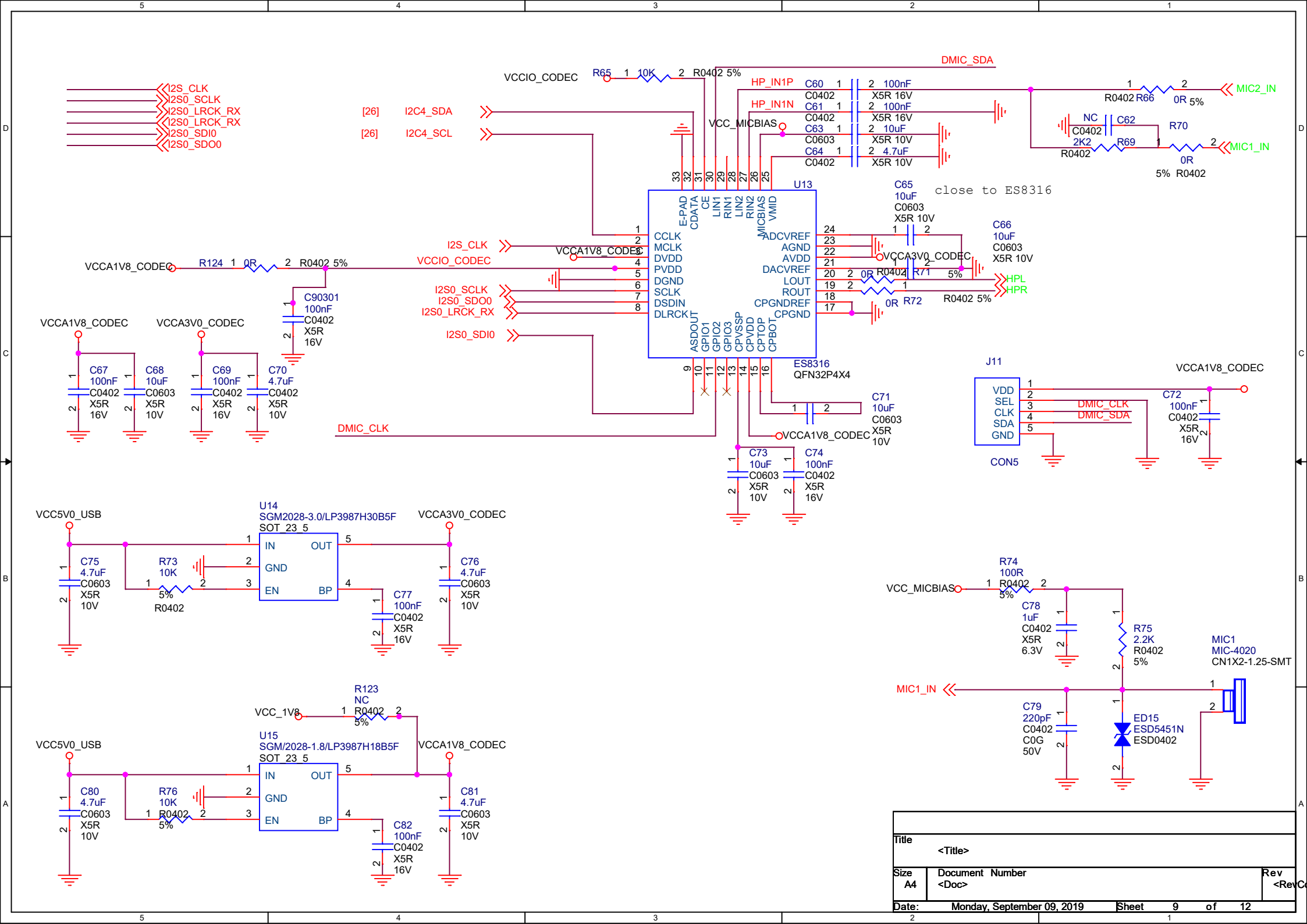
Title		
<Title>		
Size	Document Number	Rev
A	<Doc>	<RevCode>
Date:	Monday, September 09, 2019	Sheet 6 of 12



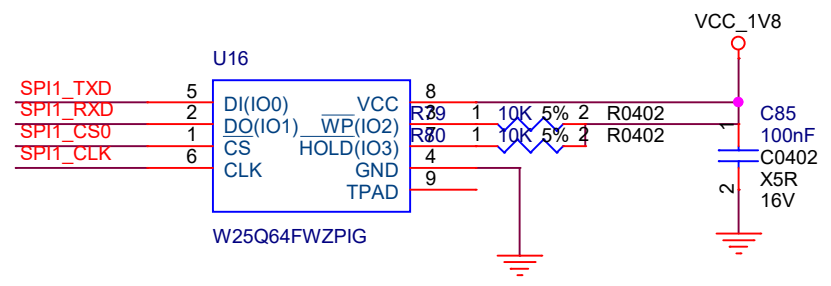
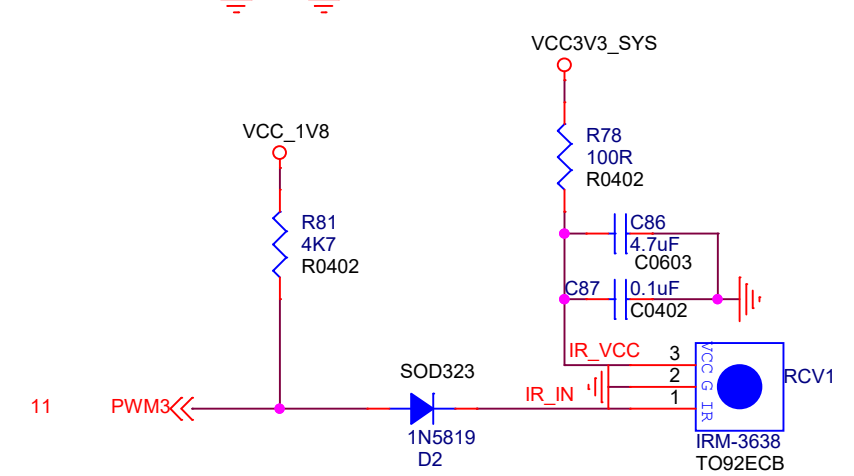
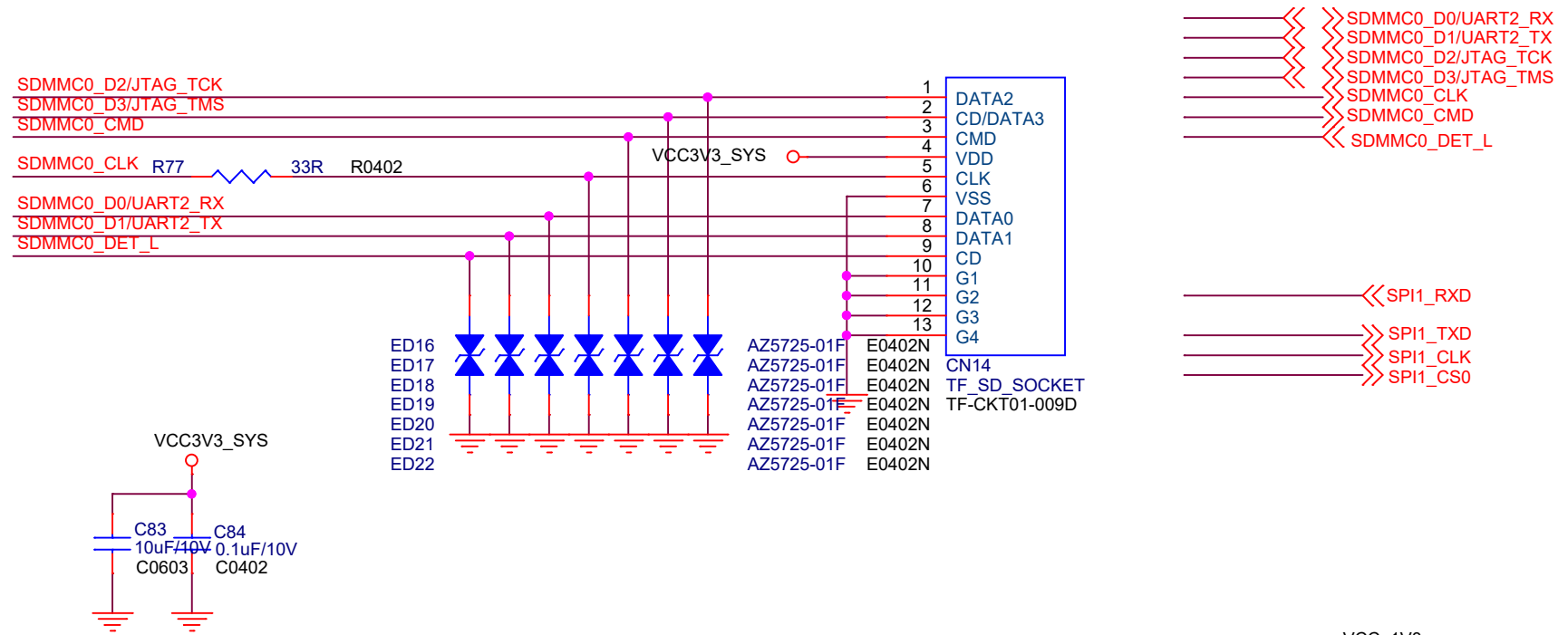
Title			<Title>
Size	Document Number	Rev	
A4	<Doc>	<RevC>	
Date:	Monday, September 09, 2019	Sheet	7 of 12



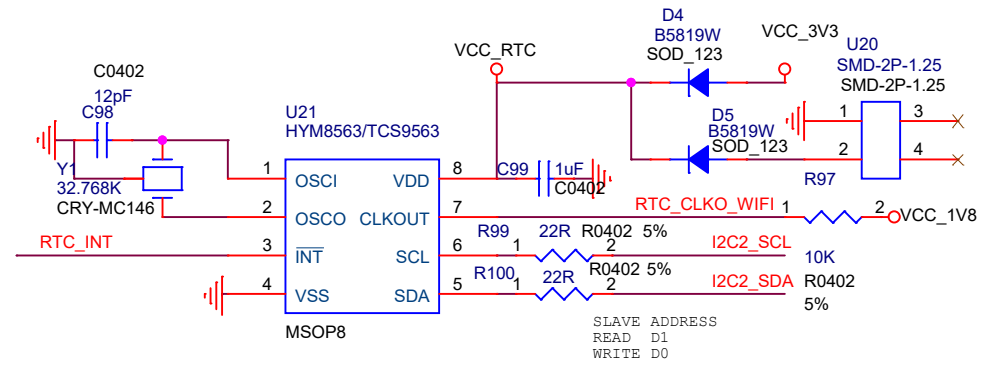
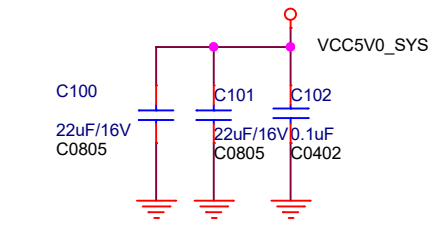
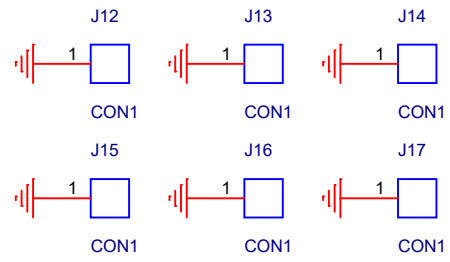
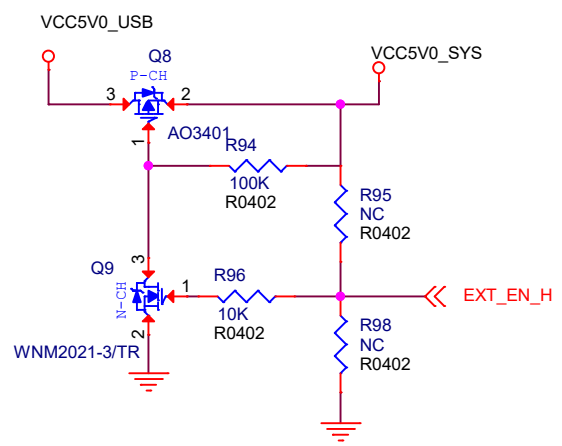
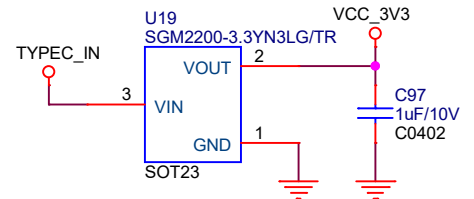
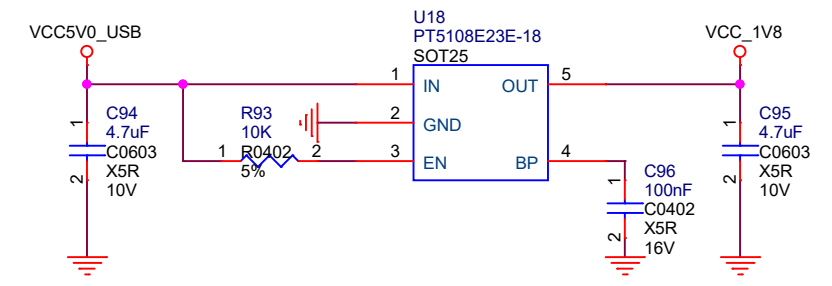
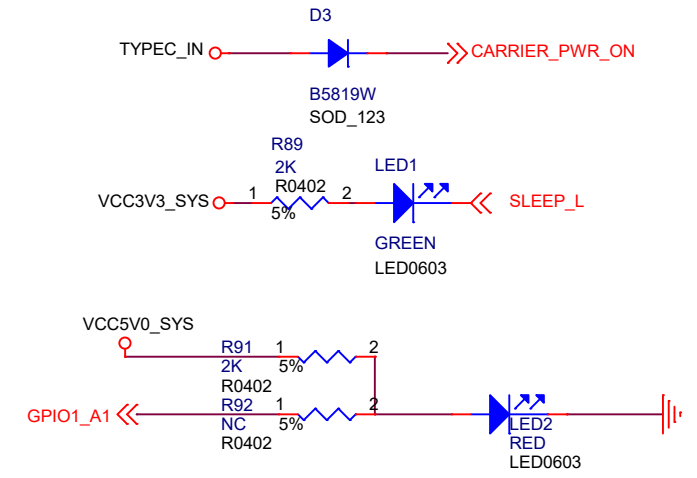
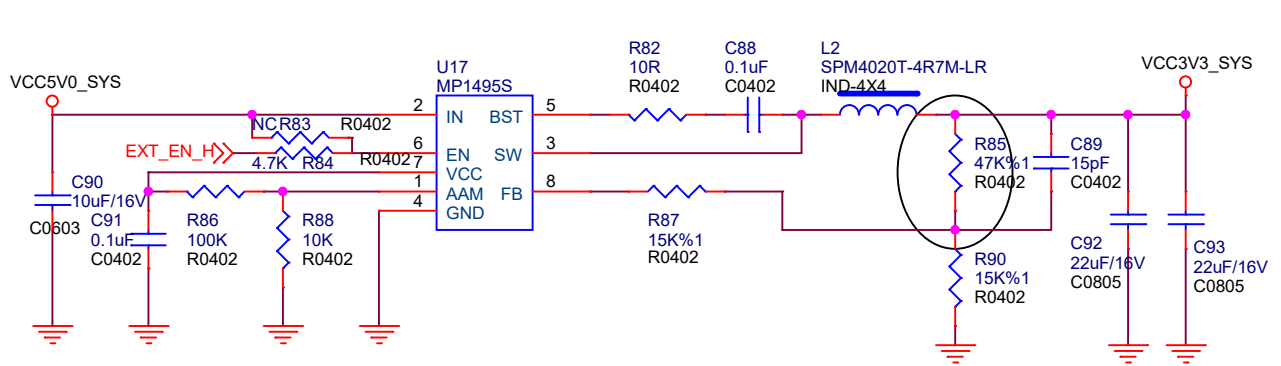
Title	<Title>		Rev	<RevCode>
Size	Document Number			
B	<Doc>			
Date:	Monday, September 09, 2019	Sheet	8	of 12



Title			<Title>
Size	Document Number		Rev
A4	<Doc>		<RevC>
Date:	Monday, September 09, 2019	Sheet	9 of 12

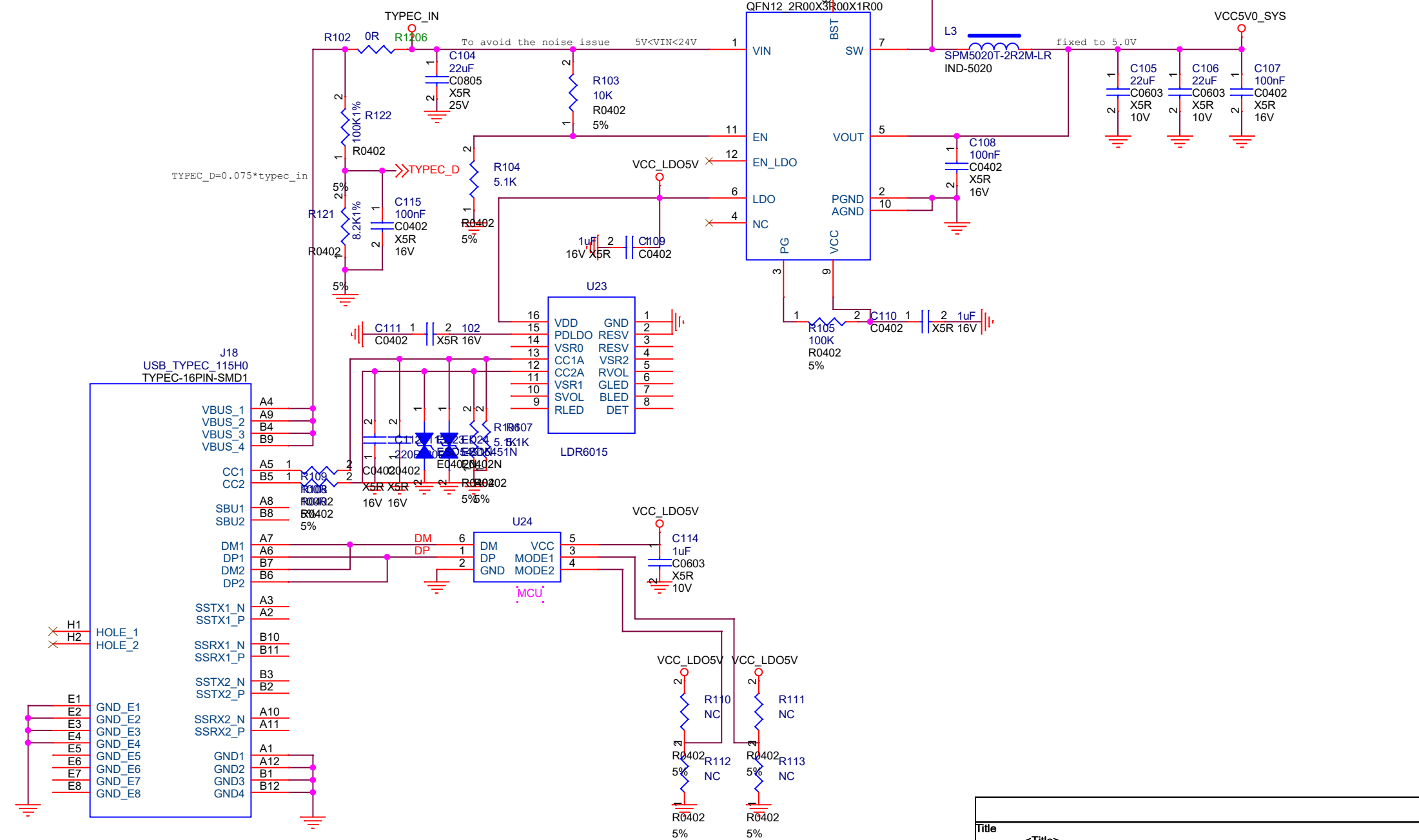


Title		
<Title>		
Size	Document Number	Rev
A	<Doc>	<RevCode>
Date:	Monday, September 09, 2019	Sheet 10 of 12



Title			<Title>
Size	Document Number	Rev	
A4	<Doc>	<RevC>	
Date:	Monday, September 09, 2019	Sheet	11 of 12

DC IN&SYSTEM Power



Title		<Title>
Size	Document Number	Rev
A4	<Doc>	<RevC>
Date:	Monday, September 09, 2019	Sheet 12 of 12