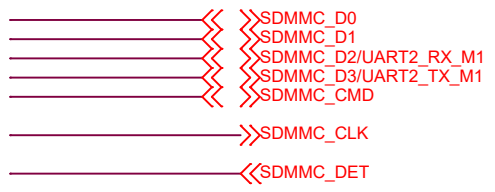
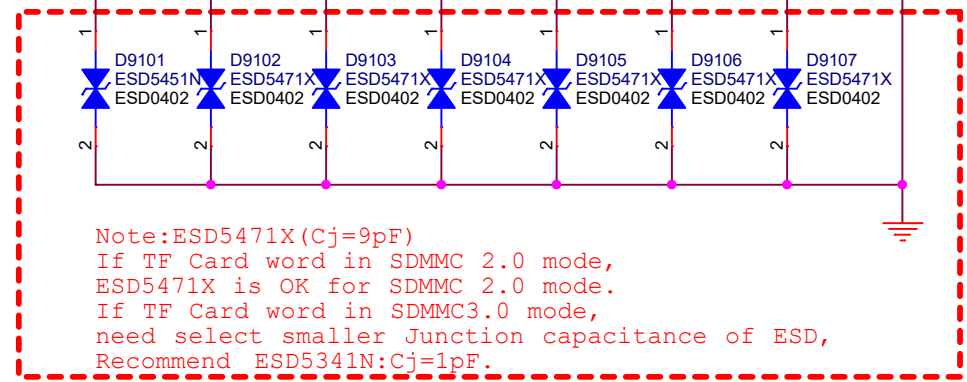
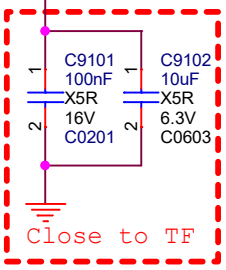


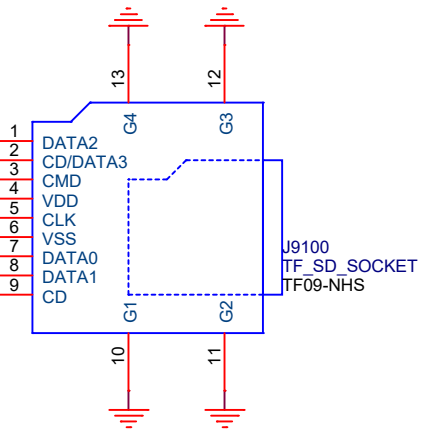
# TF Card



VCC_IO	SDMMC_D2/UART2_RX_M1	R9103	1	22R	2	5%	R0201
	SDMMC_D3/UART2_TX_M1	R9104	1	22R	2	5%	R0201
	SDMMC_CMD	R9105	1	22R	2	5%	R0201
	SDMMC_CLK						
	SDMMC_D0	R9106	1	22R	2	5%	R0201
	SDMMC_D1	R9107	1	22R	2	5%	R0201
	SDMMC_DET	R9102	1	22R	2	5%	R0201

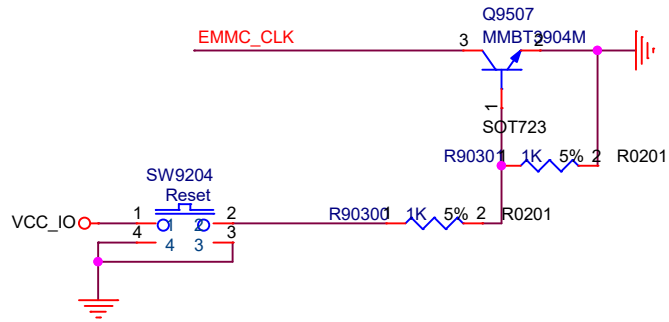
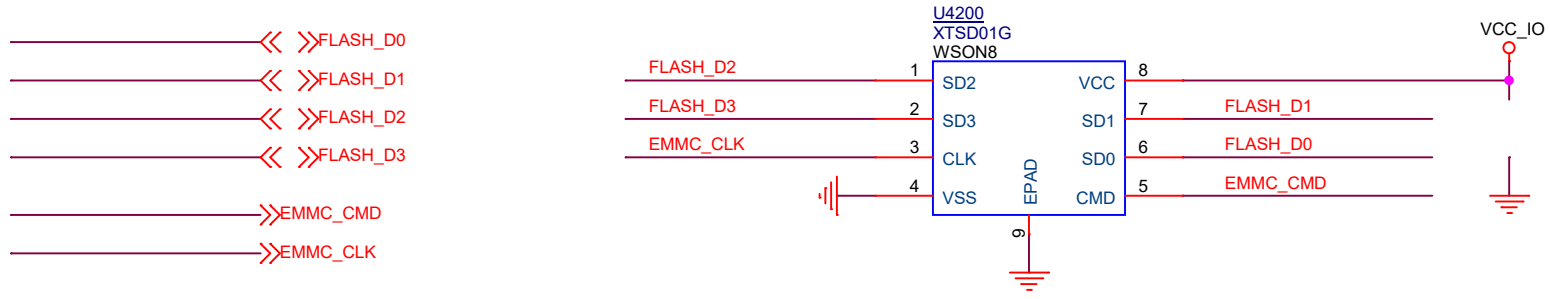


Note:ESD5471X(Cj=9pF)  
 If TF Card word in SDMMC 2.0 mode,  
 ESD5471X is OK for SDMMC 2.0 mode.  
 If TF Card word in SDMMC3.0 mode,  
 need select smaller Junction capacitance of ESD,  
 Recommend ESD5341N:Cj=1pF.



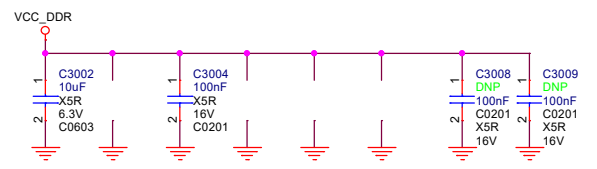
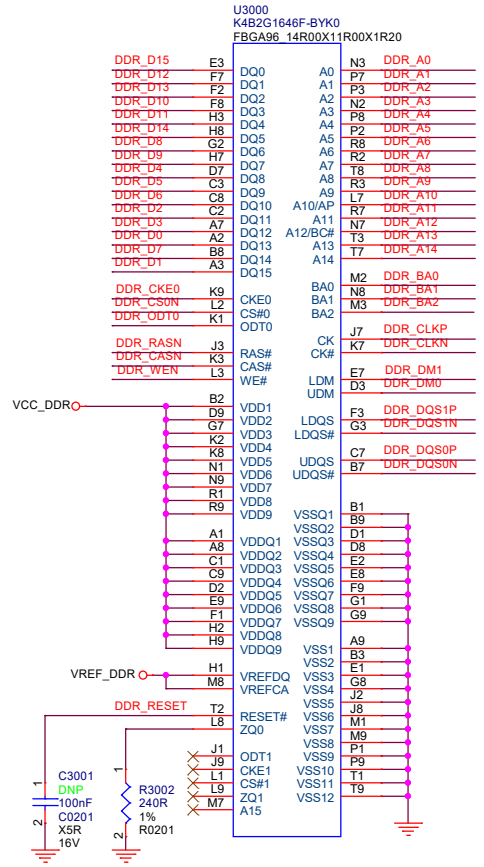
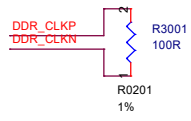
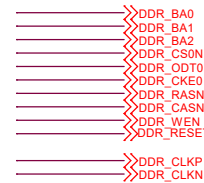
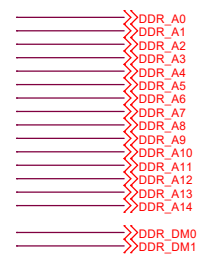
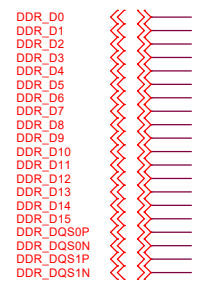
# SPI Flash

Remind: Refer to the latest AVL for parts selection.

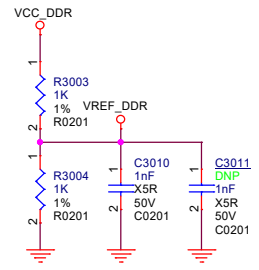


# DDR3 1x16bit

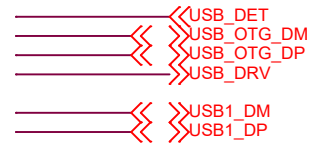
Remind: Refer to the latest AVL for parts selection.



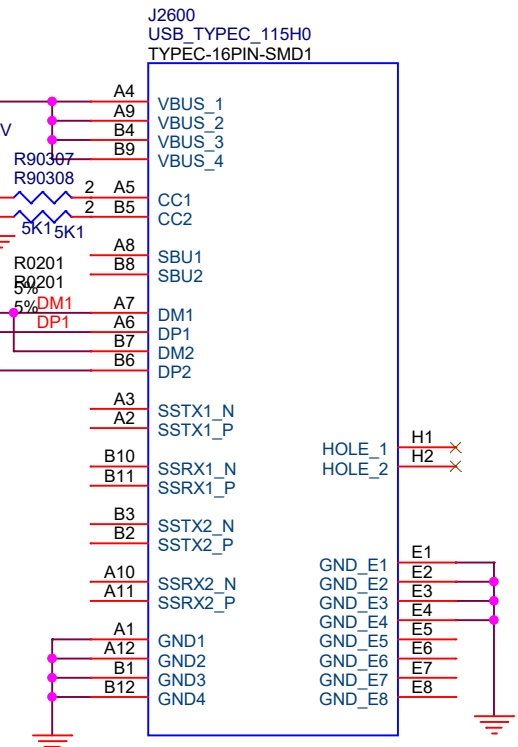
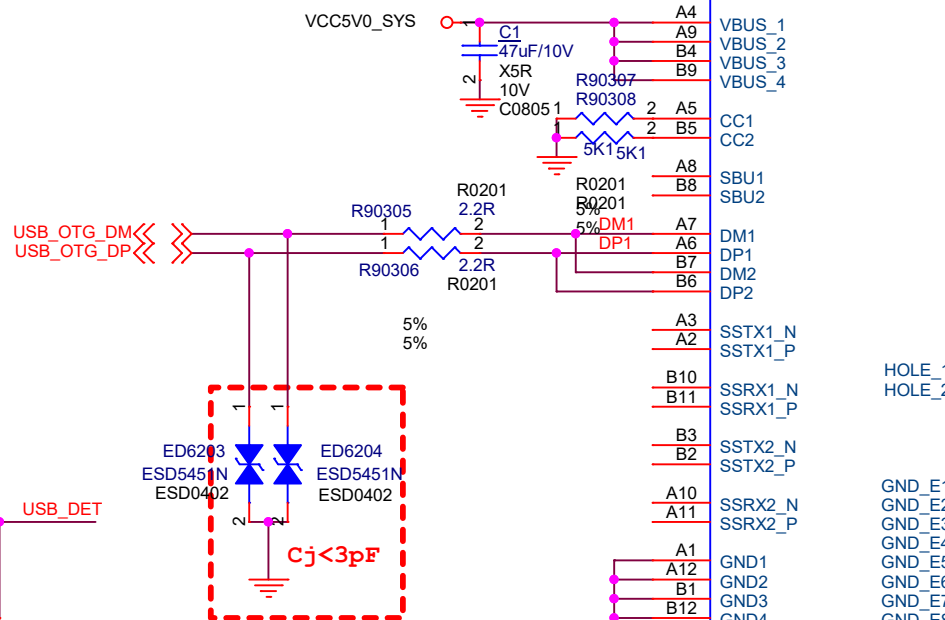
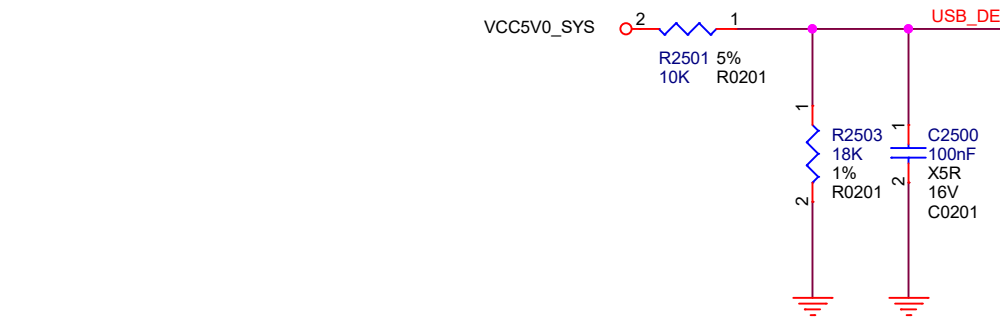
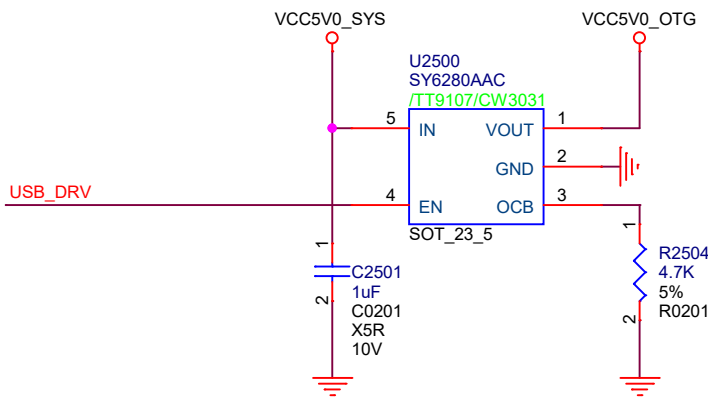
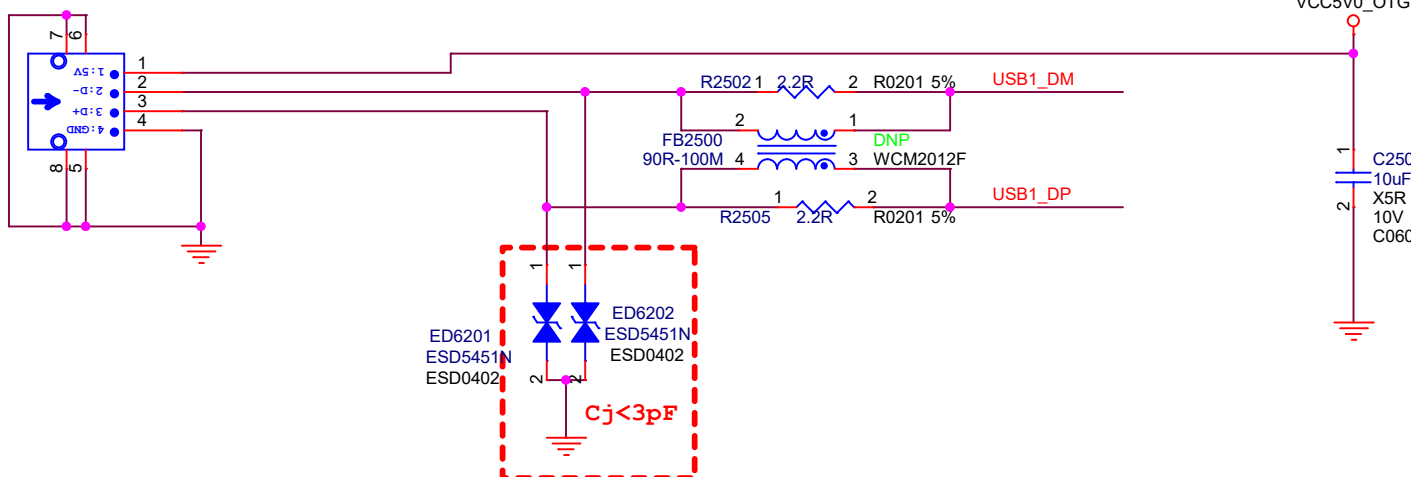
Note: All the Power filter capacitors should be placed close to the power pins of DDR3



# USB OTG

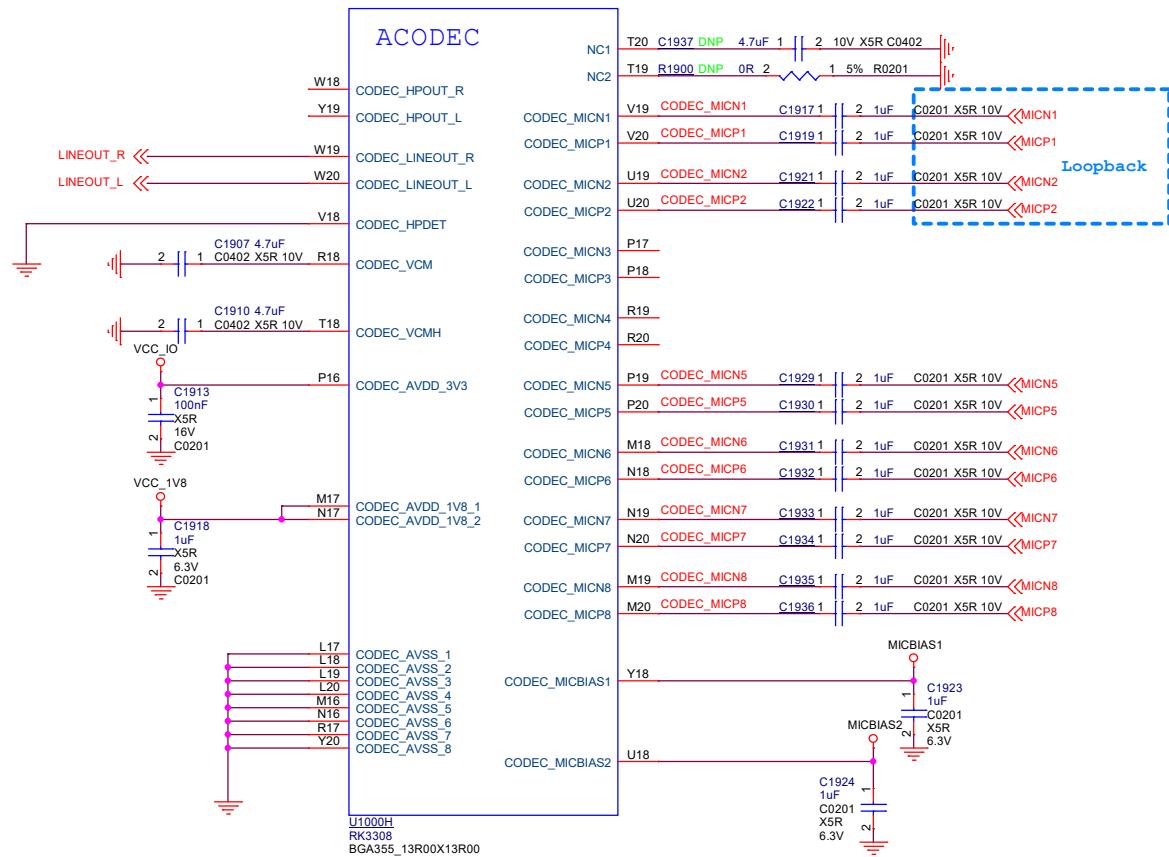


USB-HUB\_PORTBA  
USB2500  
USB\_L



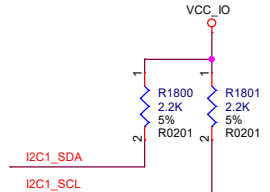
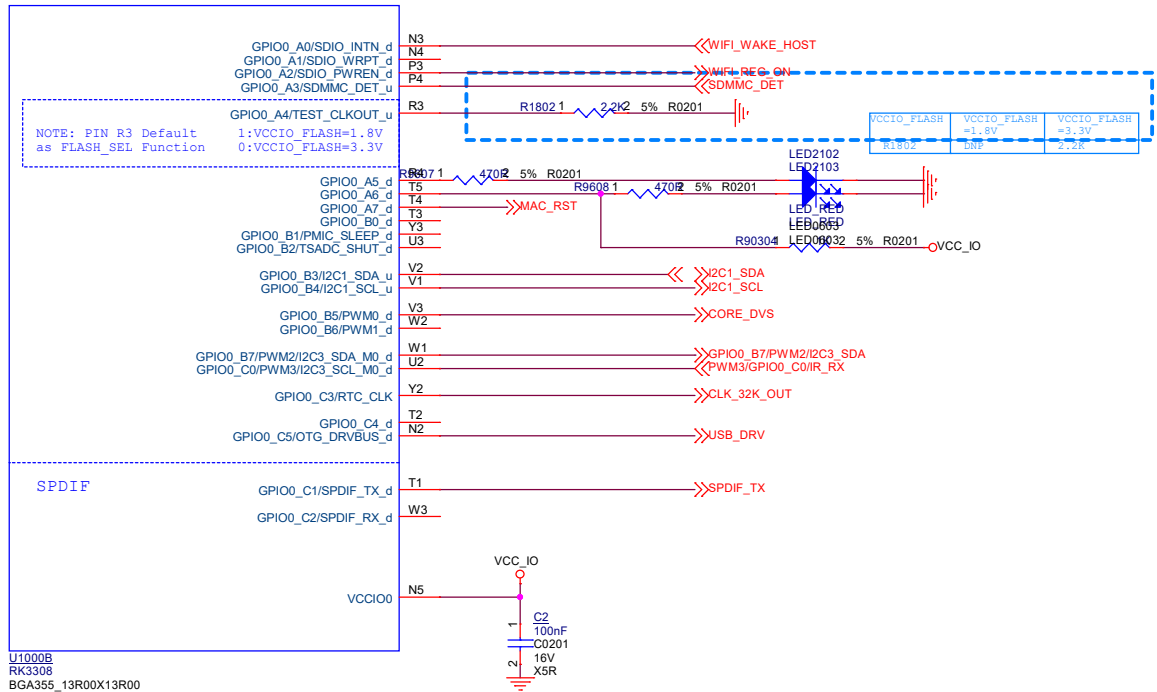


# RK3308 Part-H

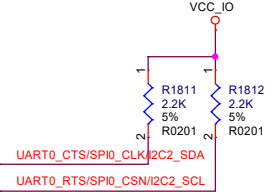
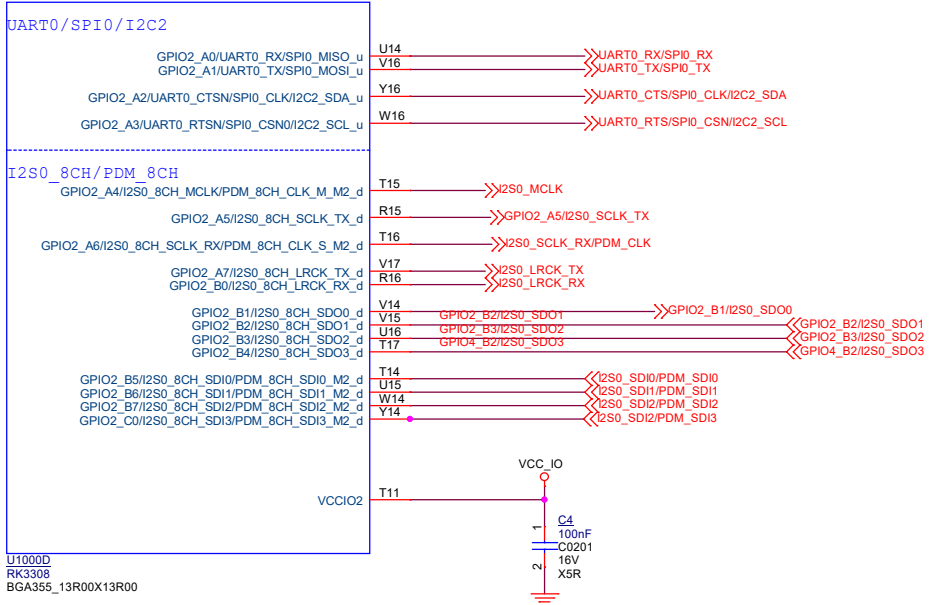


Application scene	MIC IN Channel	Loopback Channel
6MIC IN+ 2Speaker OUT	MIC3~MIC8	MIC1~MIC2
6MIC IN+ 1Speaker OUT	MIC3~MIC8	
5MIC IN+ 2Speaker OUT	MIC4~MIC8	
5MIC IN+ 1Speaker OUT	MIC4~MIC8	
4MIC IN+ 2Speaker OUT	MIC5~MIC8	
4MIC IN+ 1Speaker OUT	MIC5~MIC8	
3MIC IN+ 1Speaker OUT	MIC6~MIC8	
2MIC IN+ 1Speaker OUT	MIC7~MIC8	

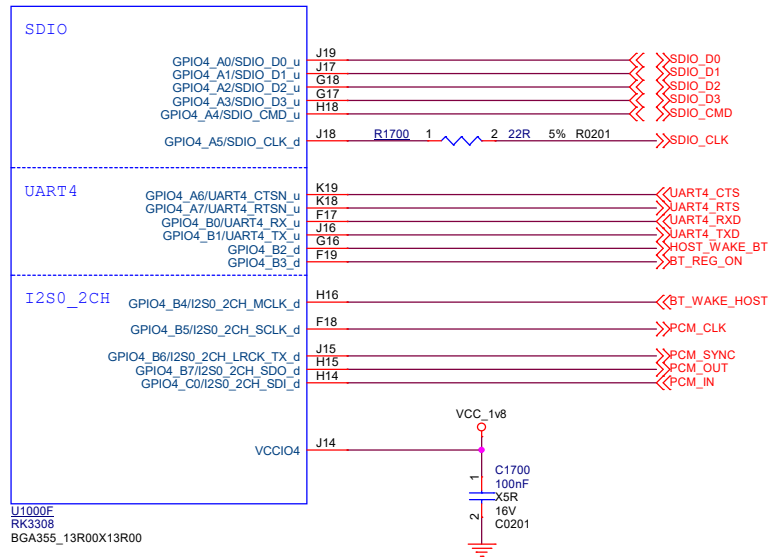
# RK3308 Part-B



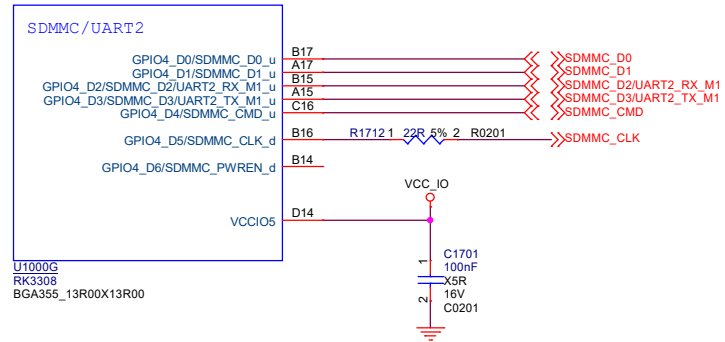
# RK3308 Part-D



# RK3308 Part-F

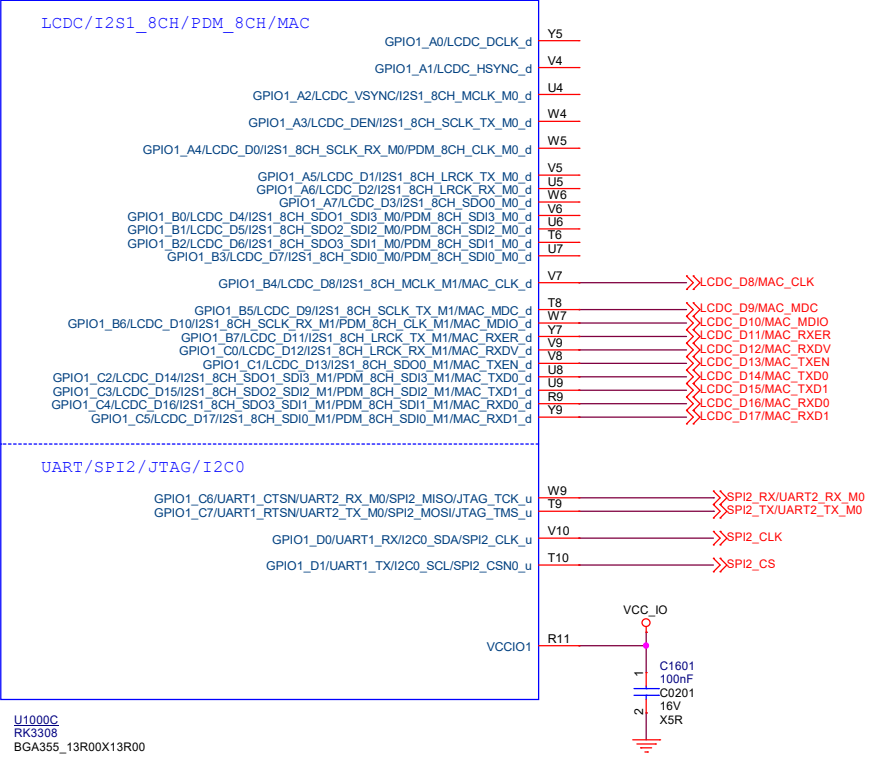


# RK3308 Part-G





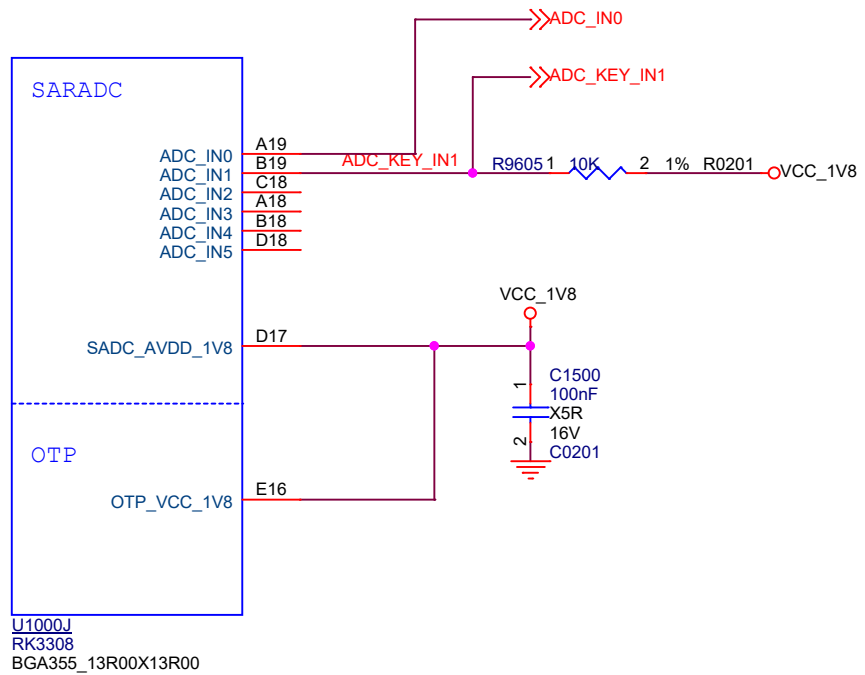
# RK3308 Part-C



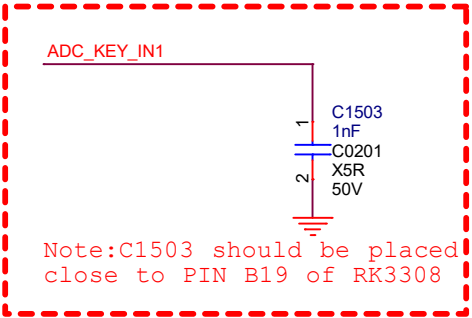
U1000C  
RK3308  
BGA355\_13R00X13R00



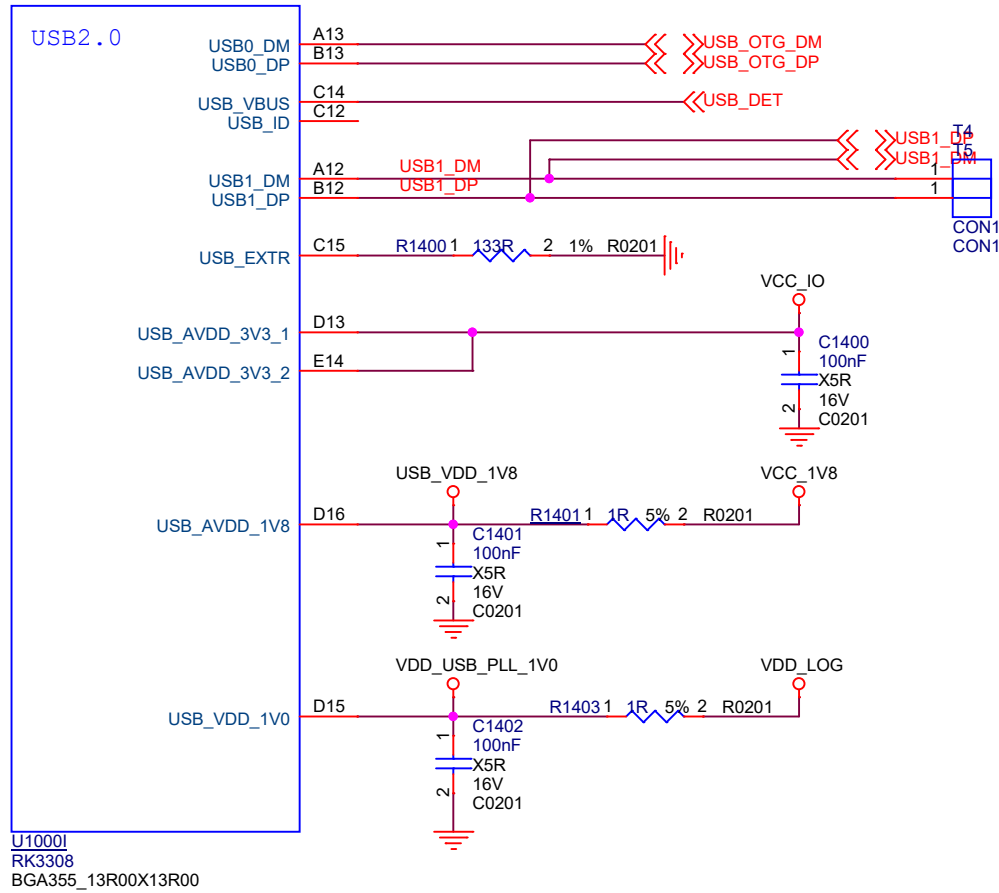
# RK3308 Part-J



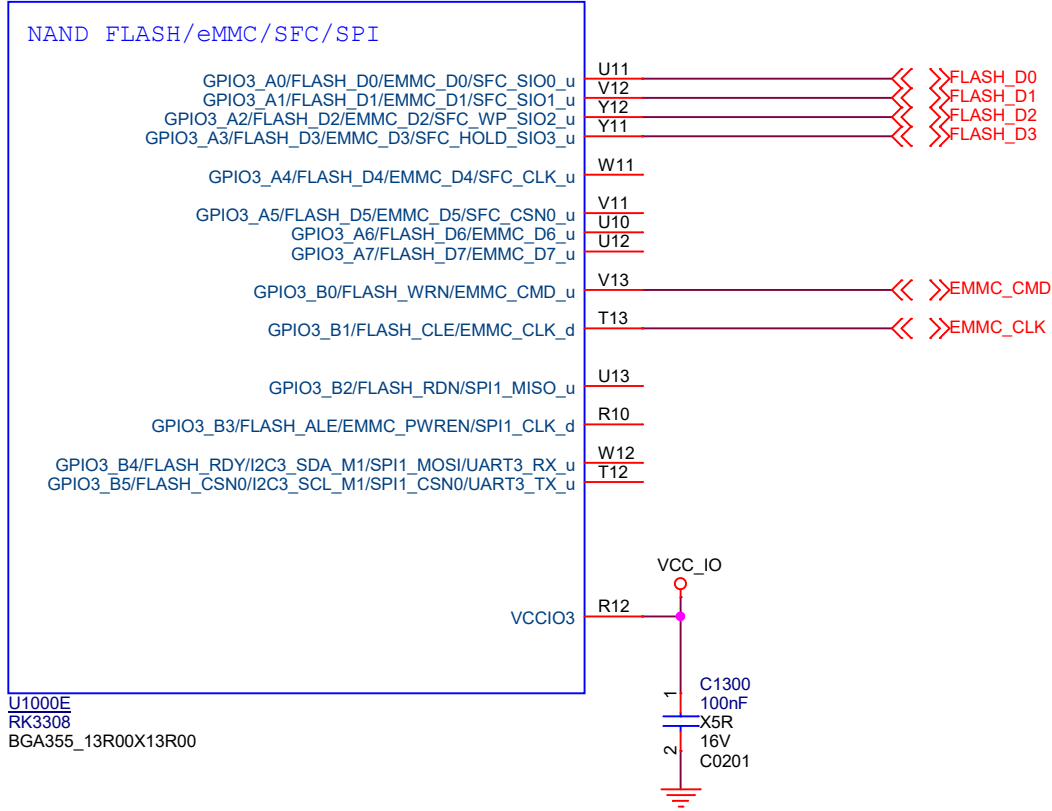
U1000J  
RK3308  
BGA355\_13R00X13R00



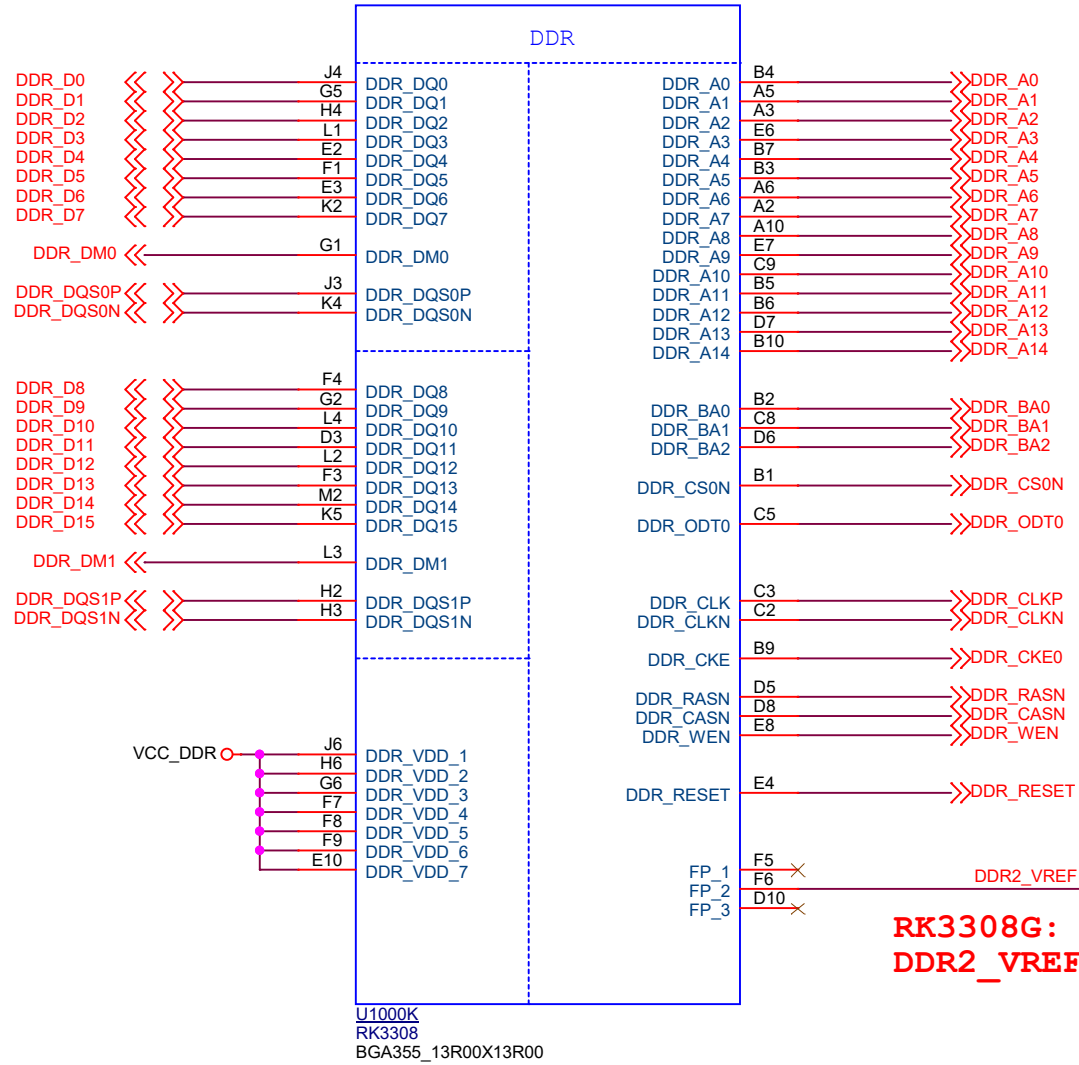
# RK3308 Part-I



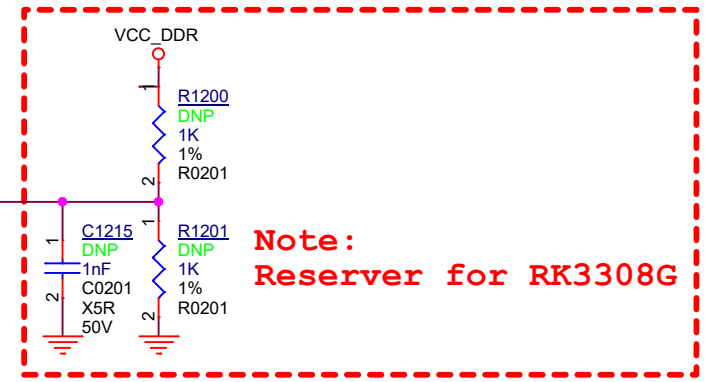
# RK3308 Part-E



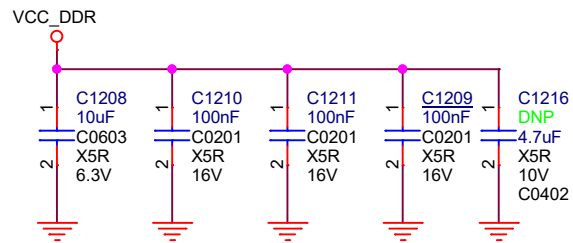
# RK3308 Part-K



**RK3308G:  
DDR2\_VREF**

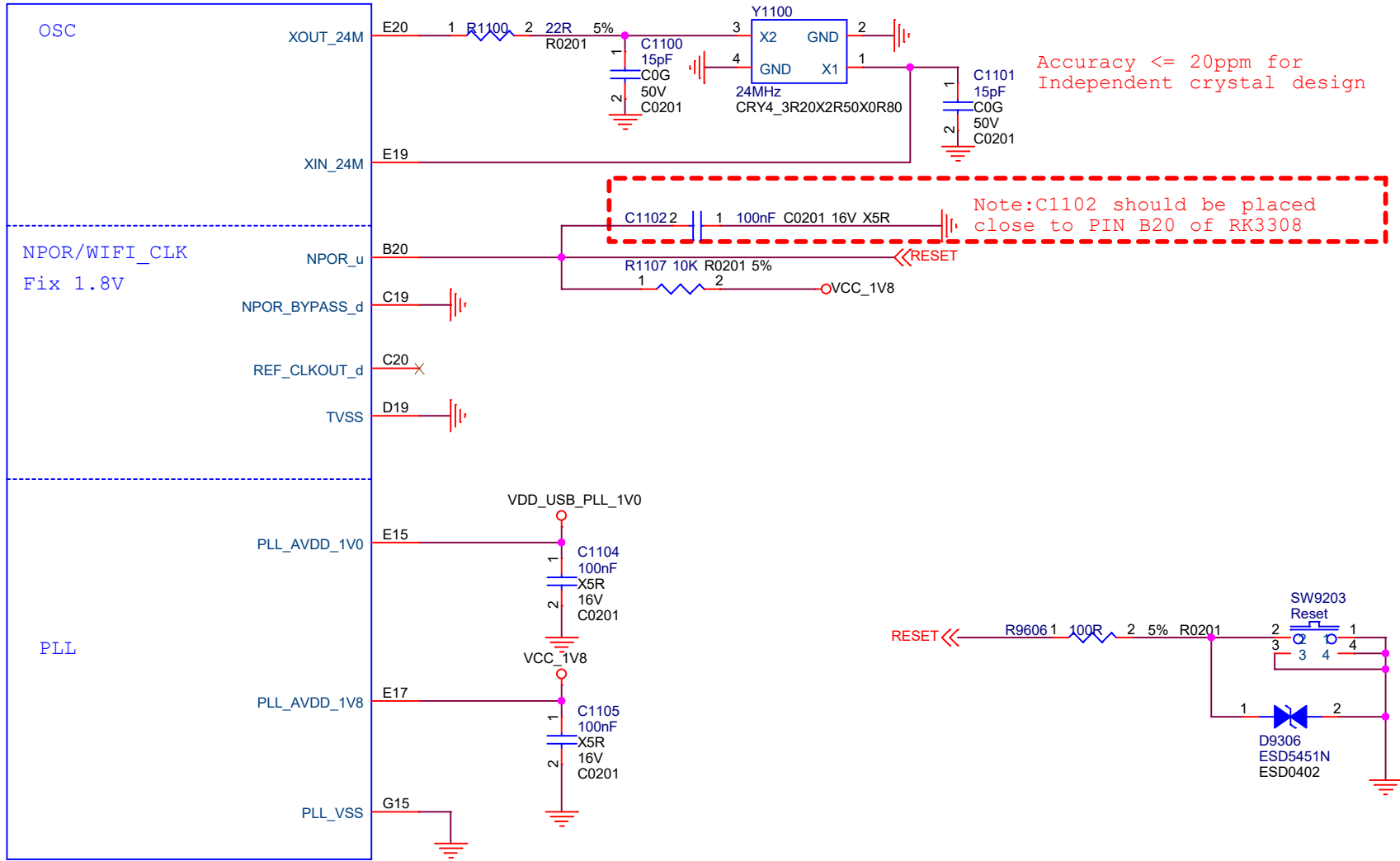


## Power Filter



Note: All the Power filter capacitors should be placed close to the power pins of RK3308

# RK3308 Part-A

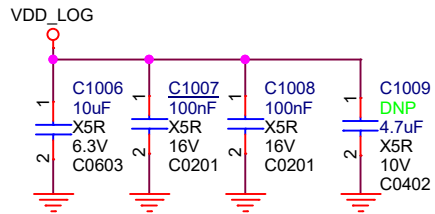
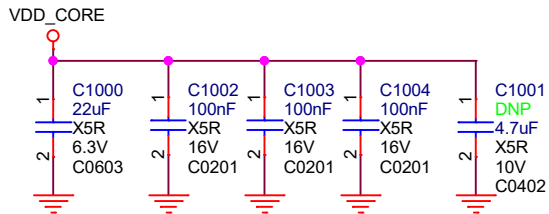
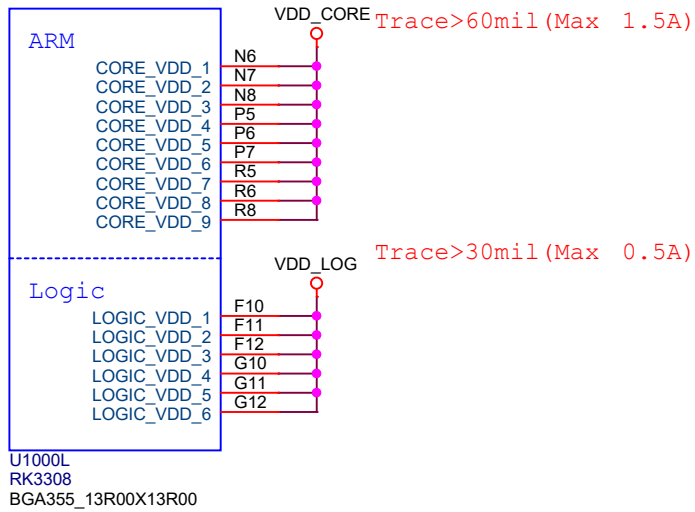


Accuracy <= 20ppm for Independent crystal design

Note: C1102 should be placed close to PIN B20 of RK3308

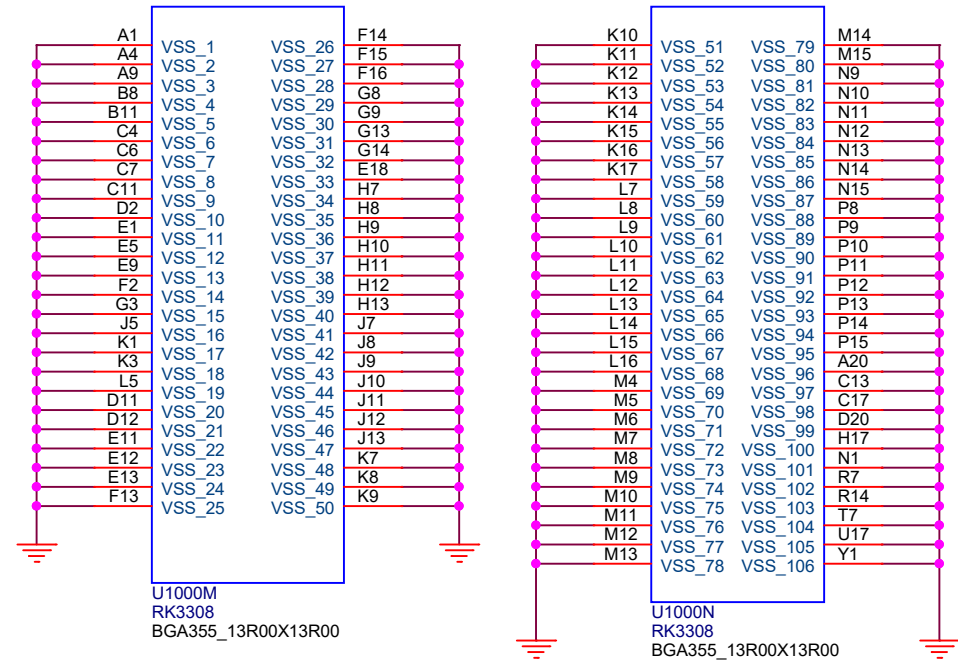
U1000A  
RK3308  
BGA355\_13R00X13R00

# RK3308 Part-L

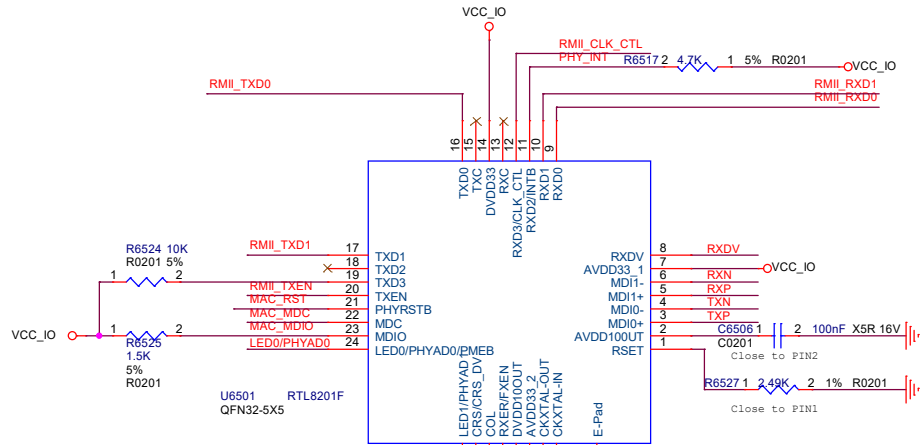
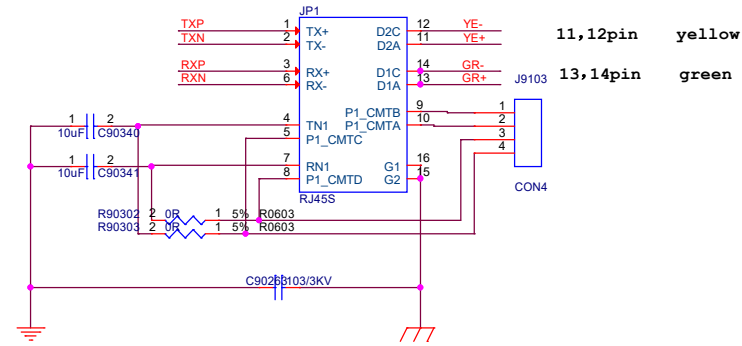
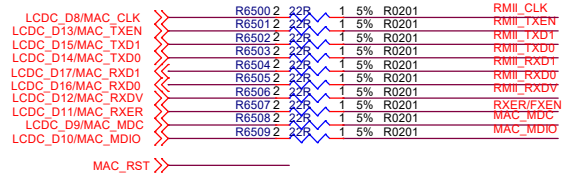


Note: All the Power filter capacitors should be placed close to the power pins of RK3308

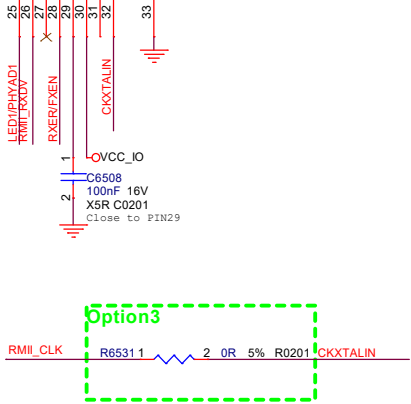
# RK3308 Part-N



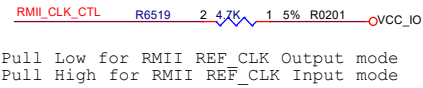
# 10/100M PHY-RTL8201F



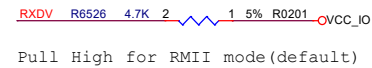
	25MHz Crystal	NO 25MHz Crystal (Default)
Option1	0R	DNP
Option2	DNP	10K
Option3	DNP	0R
Option4	Be mounted	Not be mounted
Option5	R6518=4.7K R6519=DNP	R6518=DNP R6519=4.7K



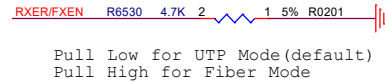
## RMII REF\_CLK direction



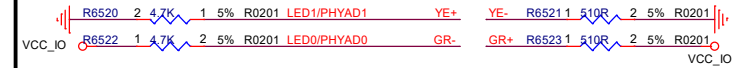
## MII/RMII Selection



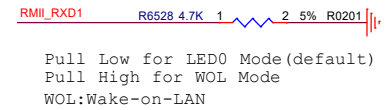
## UTP / Fiber Selection



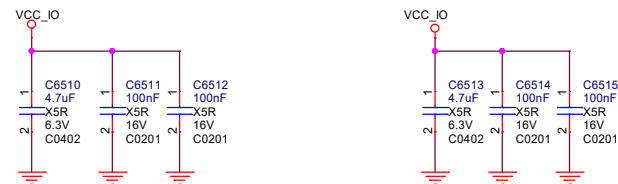
## PHY Address/LED



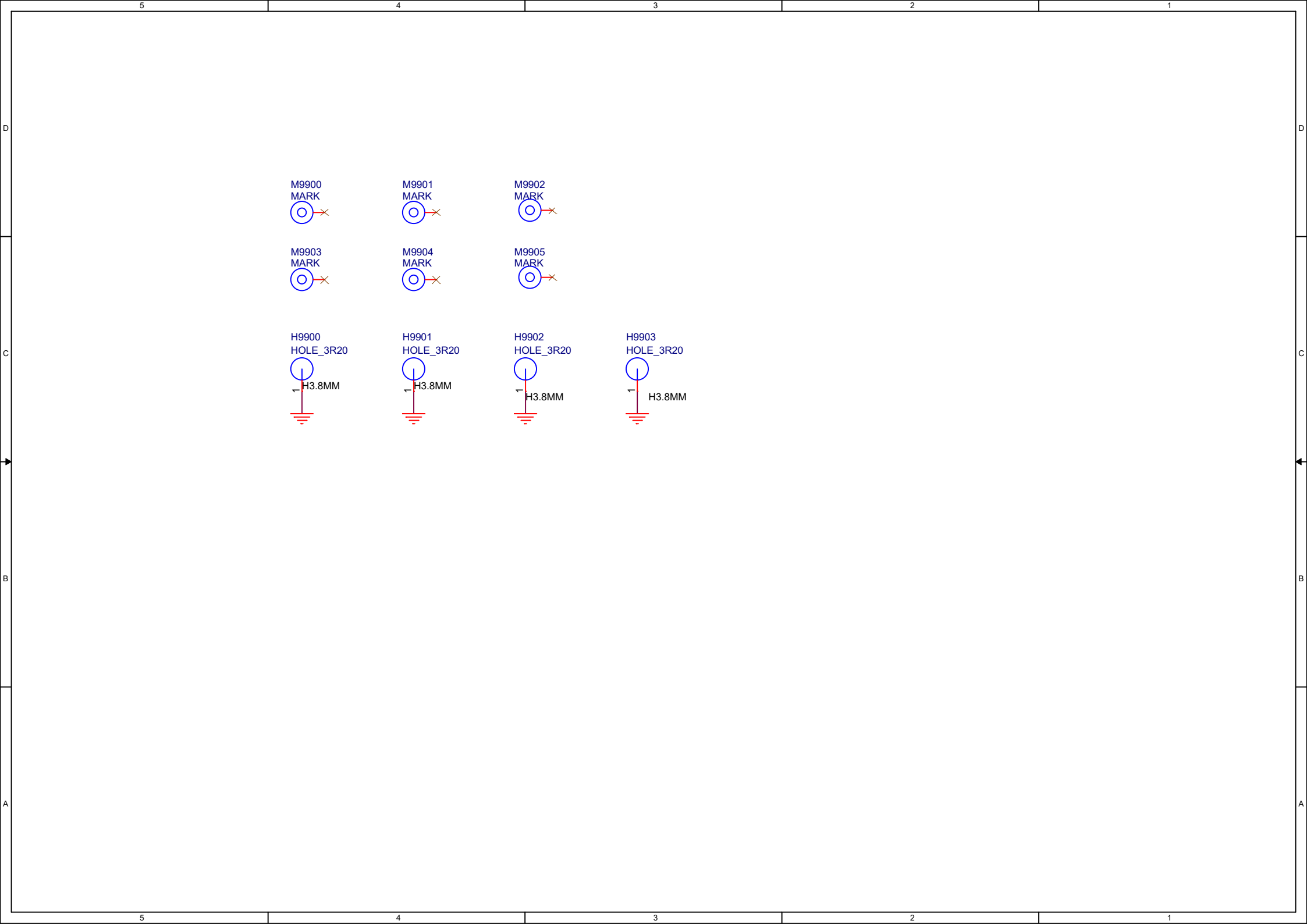
## WOL/LED0 Selection

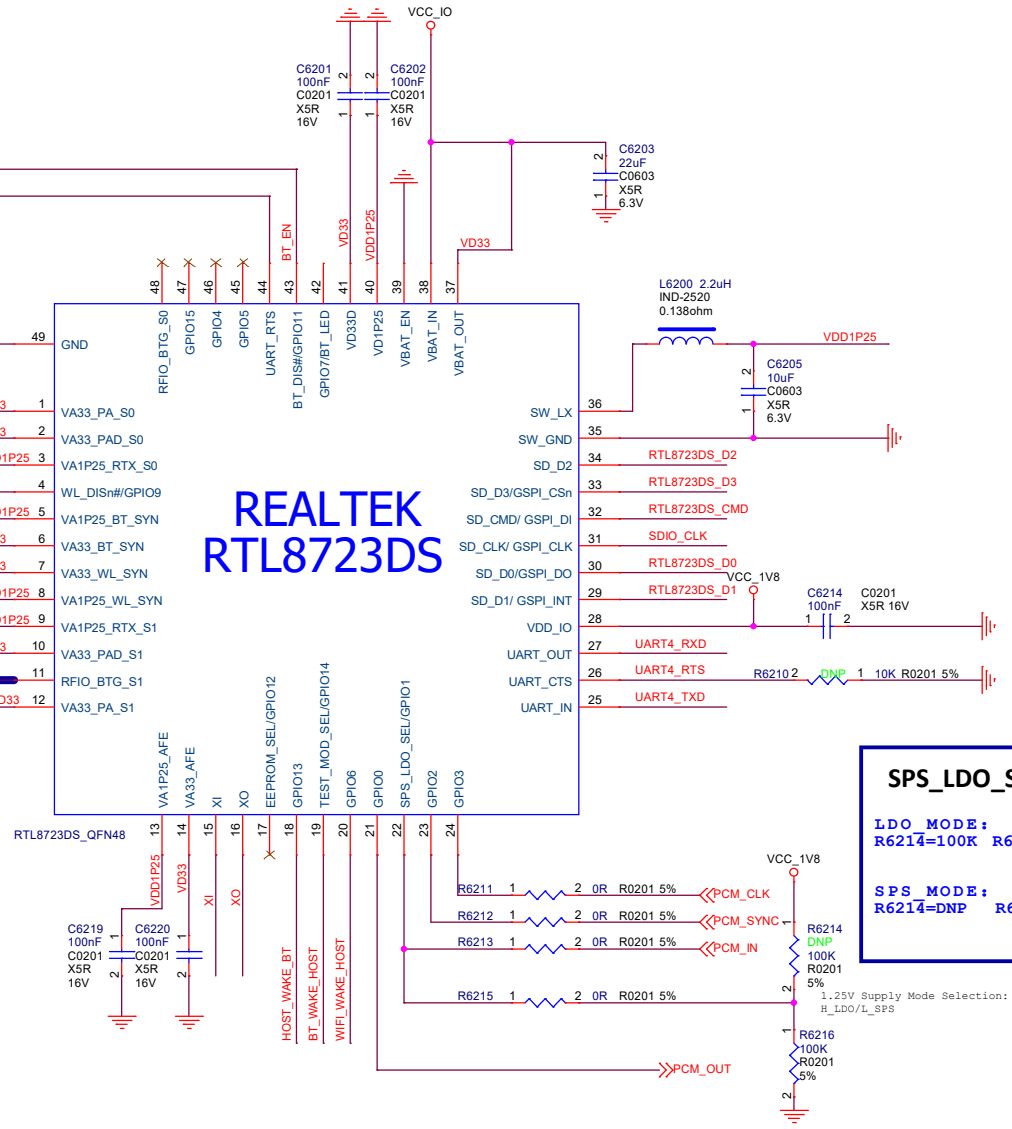
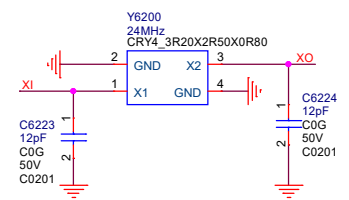
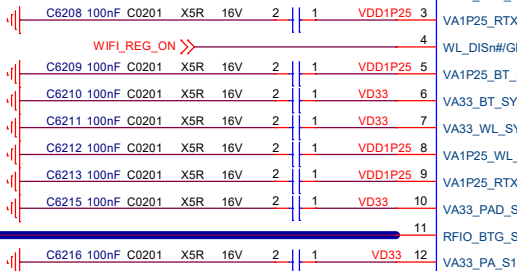
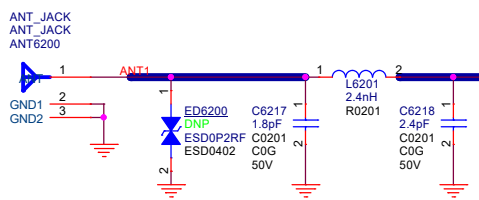
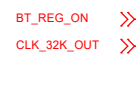
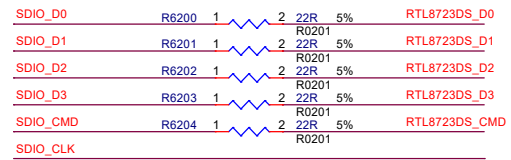
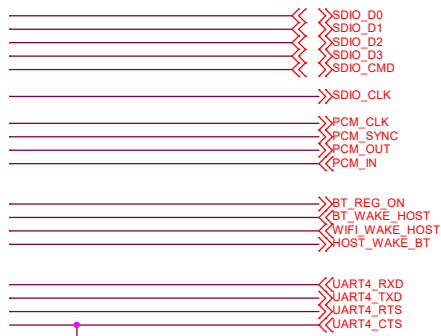


## POWER







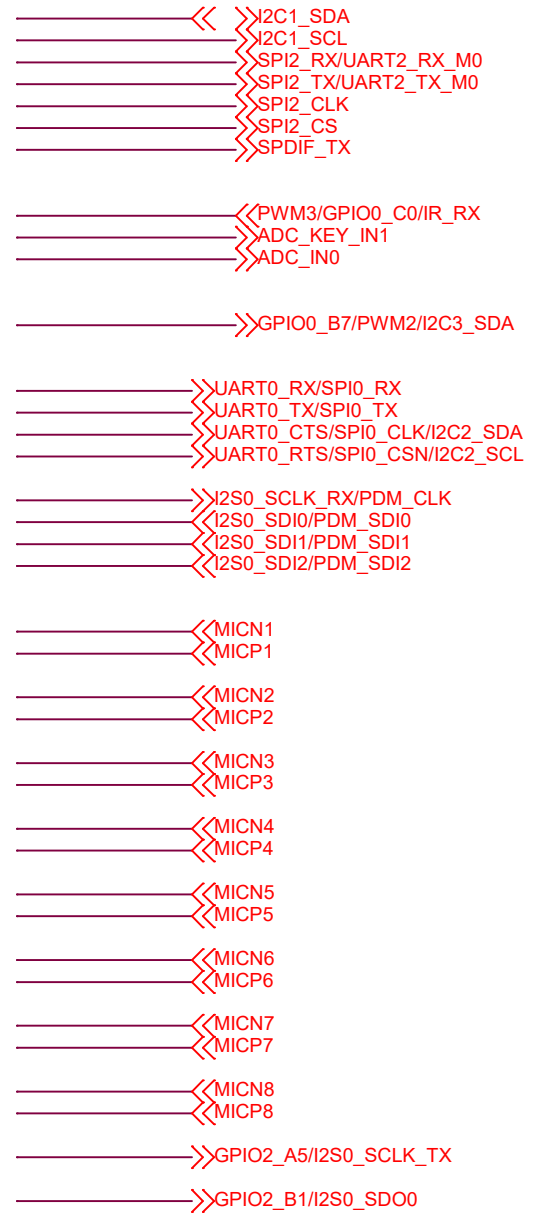
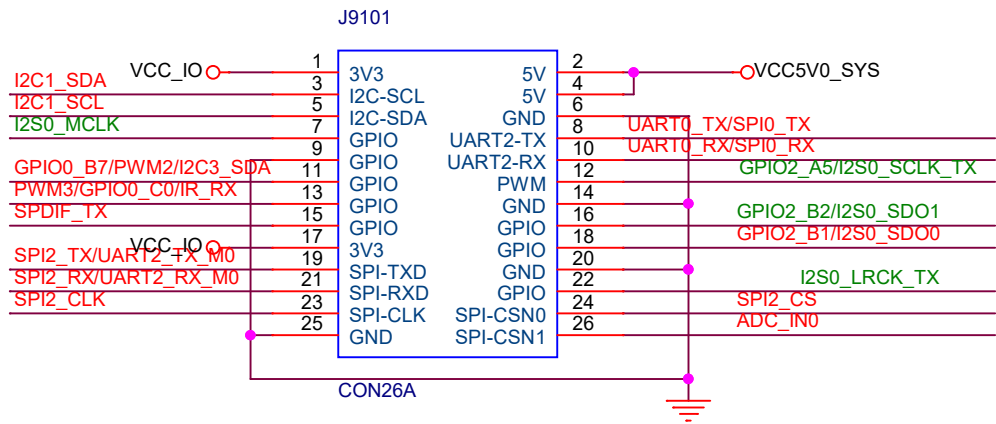


**SPS\_LDO\_SEL**

LDO MODE:  
R6214=100K R6216=DNP L6200=0R

SPS MODE:  
R6214=DNP R6216=100K L6200=2.2uH

1.25V Supply Mode Selection:  
H\_LDO/I\_SPS



GPIO2\_A5/I2S0\_SCLK\_TX

