



Radxa rCore-RK3308

Schematic

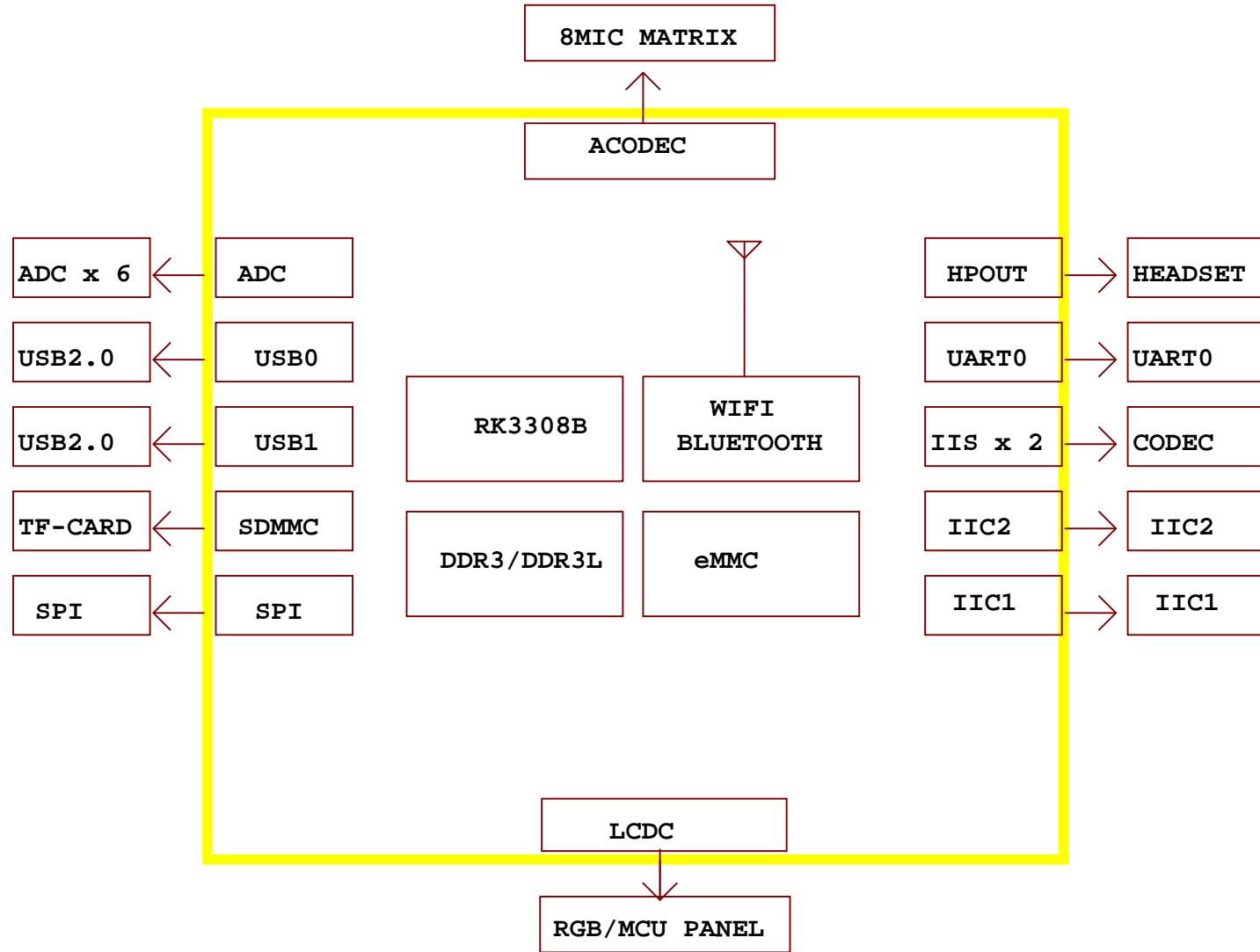
V2.2

Context

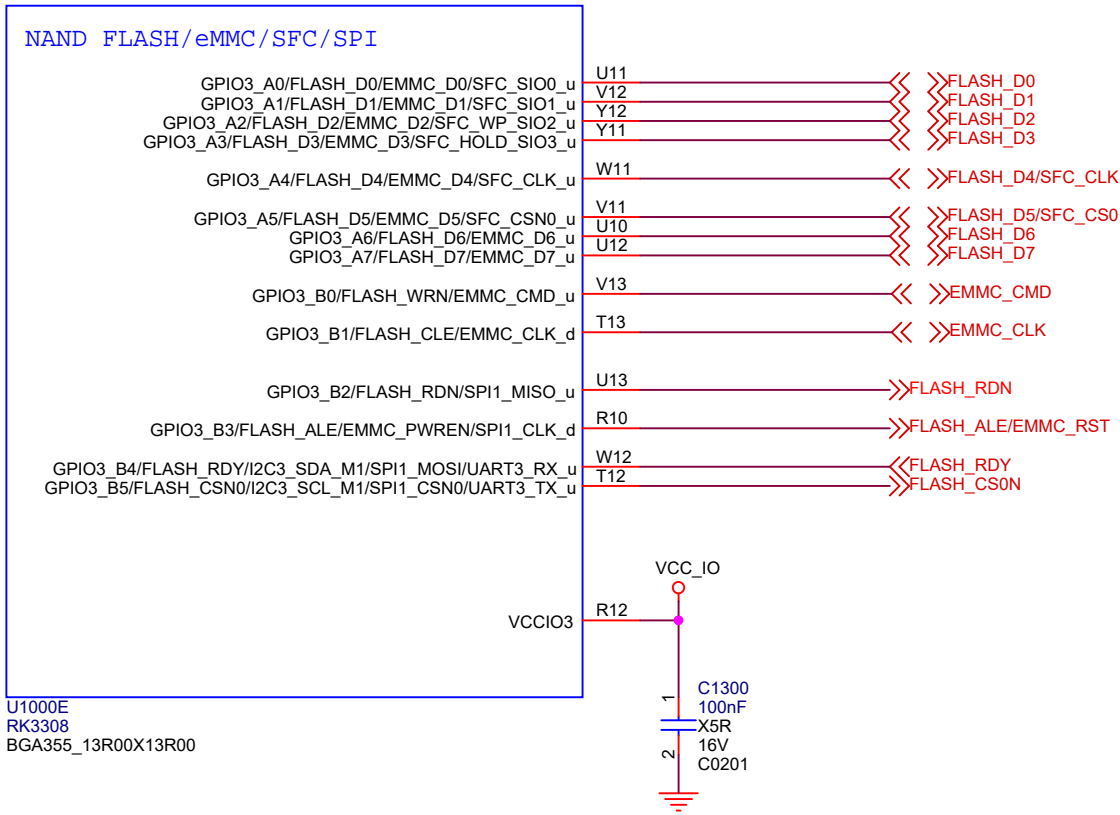
- 01.Cover
- 02.Context
- 03.Framework
- 04.RK3308 FLASH Controller
- 05.RK3308 USB Controller
- 06.RK3308 SARADC/OTP
- 07.RK3308 LCDC/MAC/I2S1/JTAG
- 08.RK3308 SDIO/SDMMC
- 09.RK3308 GPIO/I2S0/PDM/SPDIF
- 10.RK3308 ACODEC
- 11.RK3308 Power
- 12.RK3308 DDR Controller
- 13.RAM-DDR3 1x16bit
- 14.RK3308 OSC/PLL
- 15.Discrete Power
- 16.WIFI/BT COB-RTL8723DS
- 17.USB Port
- 18.Connect
- 19.Emmc



Size	Title: rCore-RK3308	REV
A4	Page Name: 02.Context	2.2
Date: Friday, November 29, 2024	Sheet 2	of 19

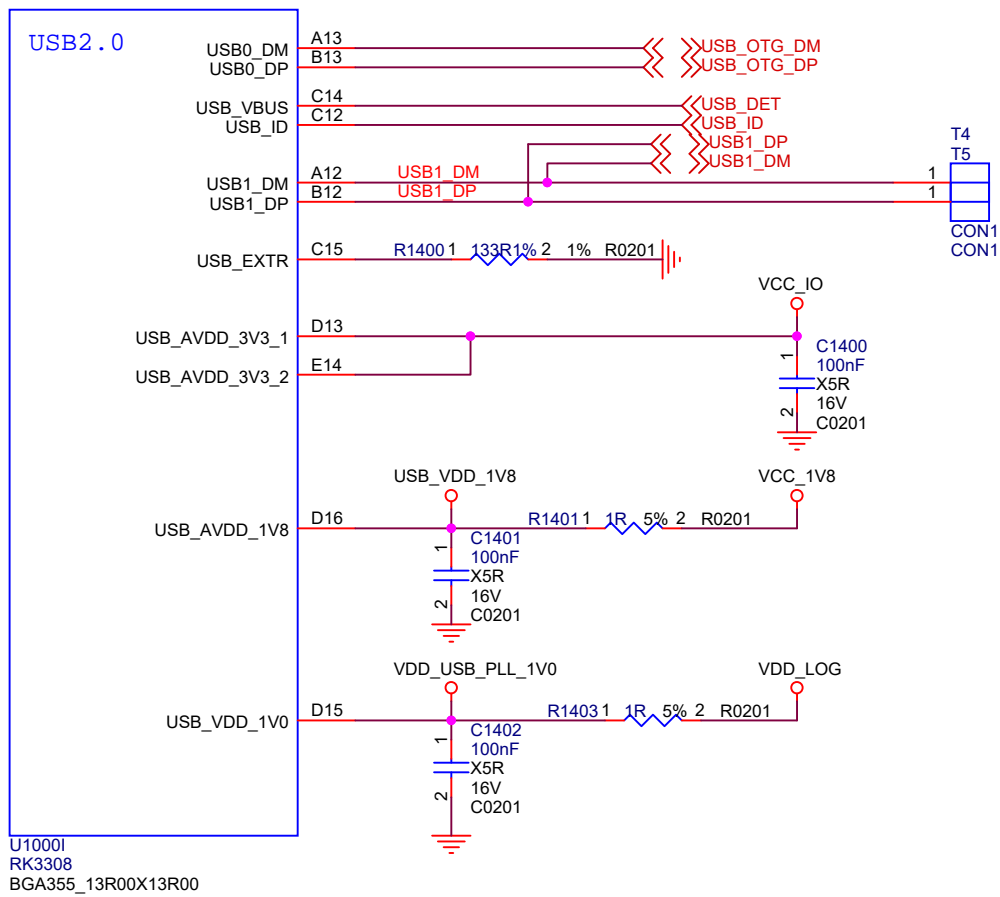


RK3308 Part-E



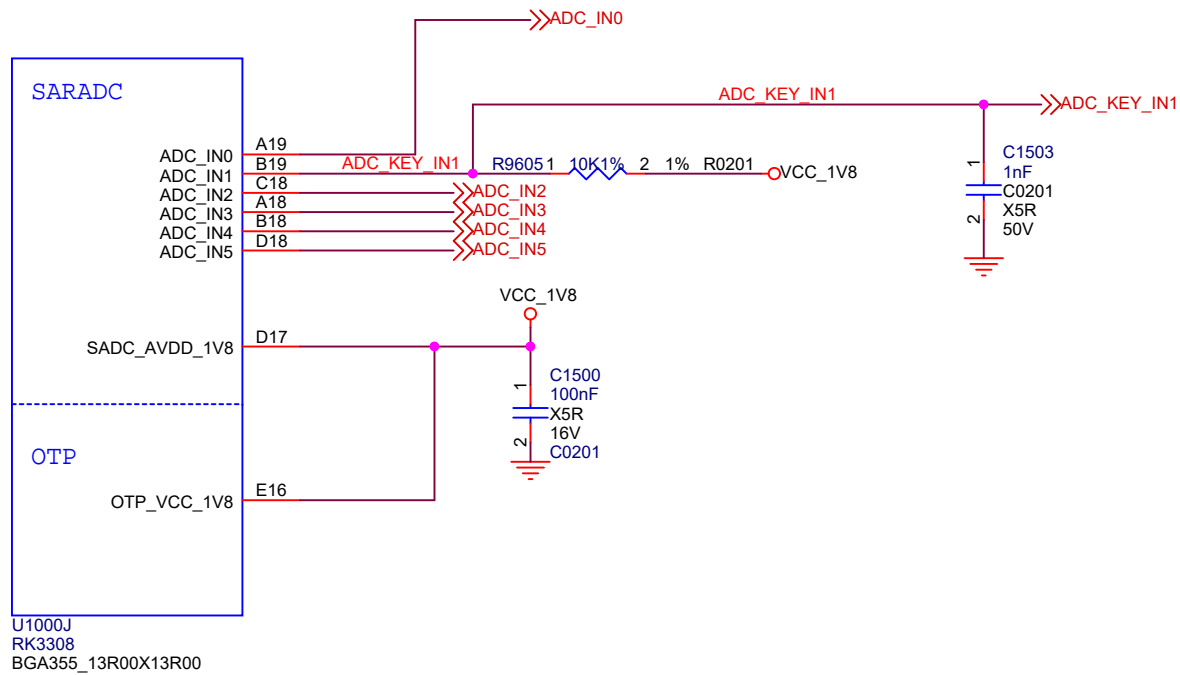
Size	Title: rCore-RK3308	REV
A4	Page Name: 04.RK3308 FLASH Controller	2.2
Date:	Friday, November 29, 2024	Sheet 4 of 19

RK3308 Part-I



Size	Title: rCore-RK3308	REV
A4	Page Name: 05.RK3308 USB Controller	2.2
Date: Friday, November 29, 2024	Sheet 5 of 19	

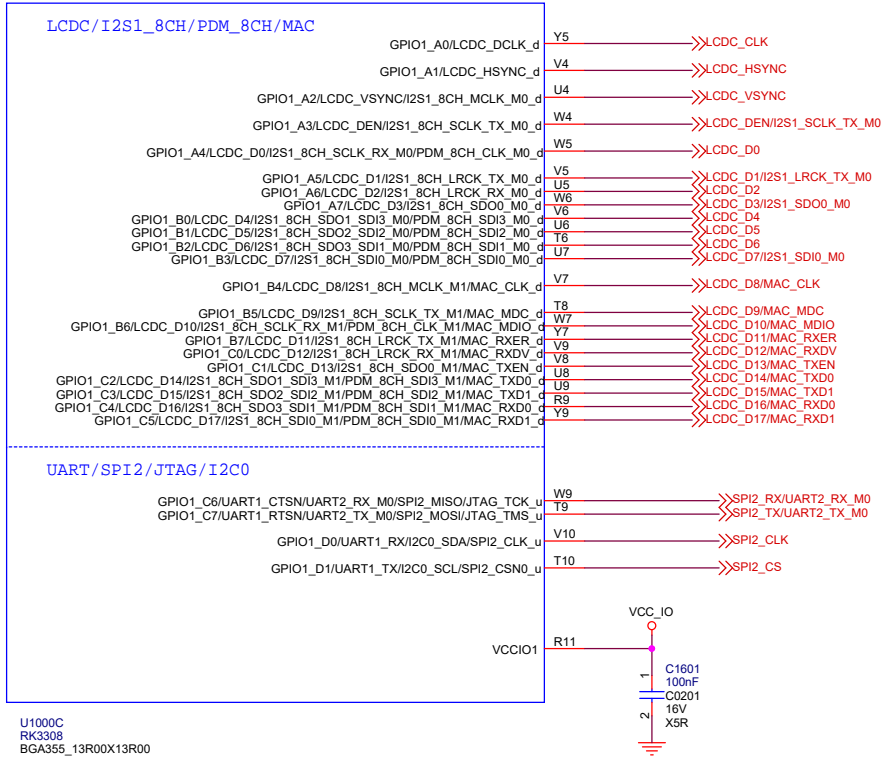
RK3308 Part-J



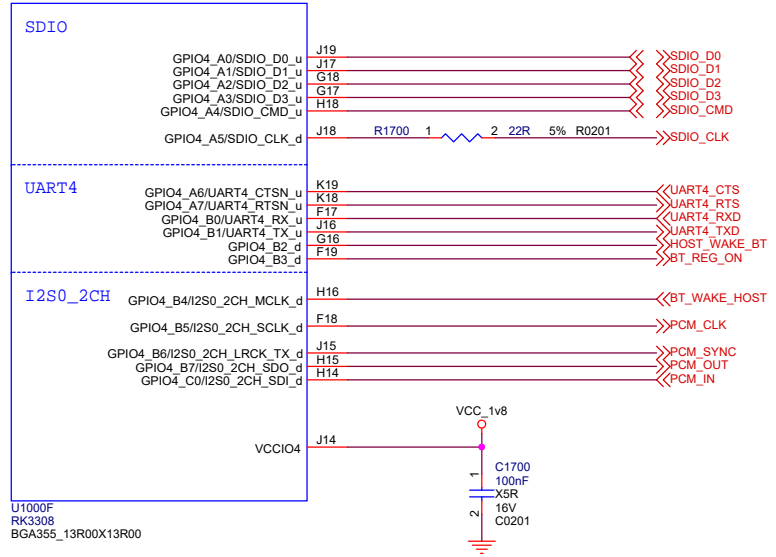
U1000J
RK3308
BGA355_13R00X13R00



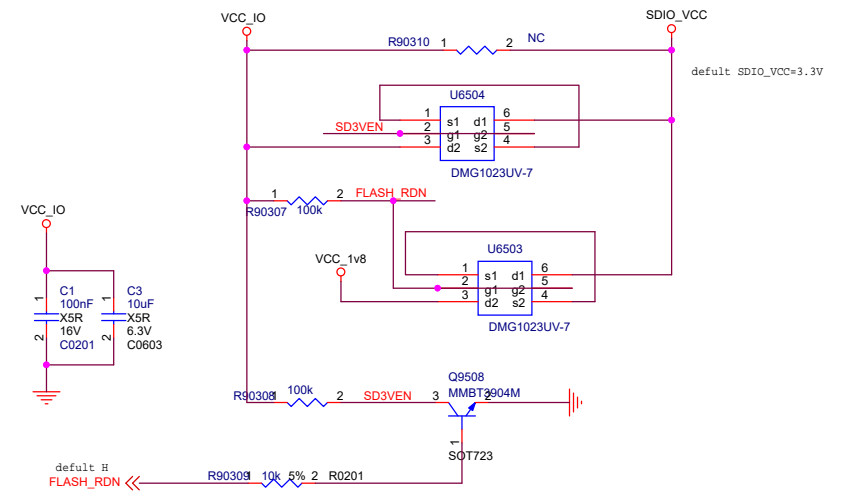
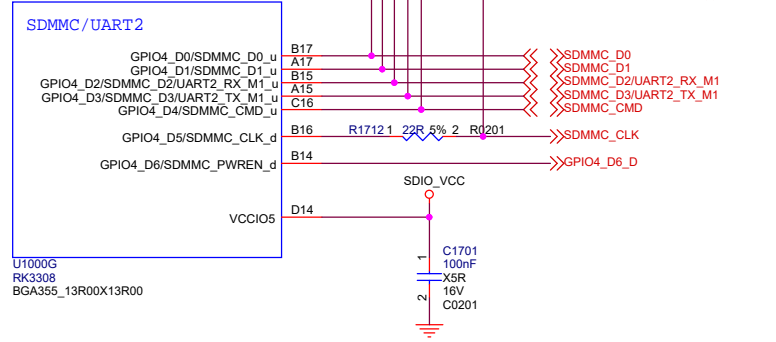
Size	Title: rCore-RK3308	REV
A4	Page Name: 06.RK3308 SARADC/OTP	2.2
Date: Friday, November 29, 2024	Sheet 6 of 19	



RK3308 Part-F

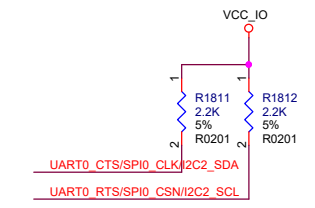
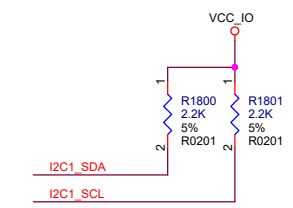
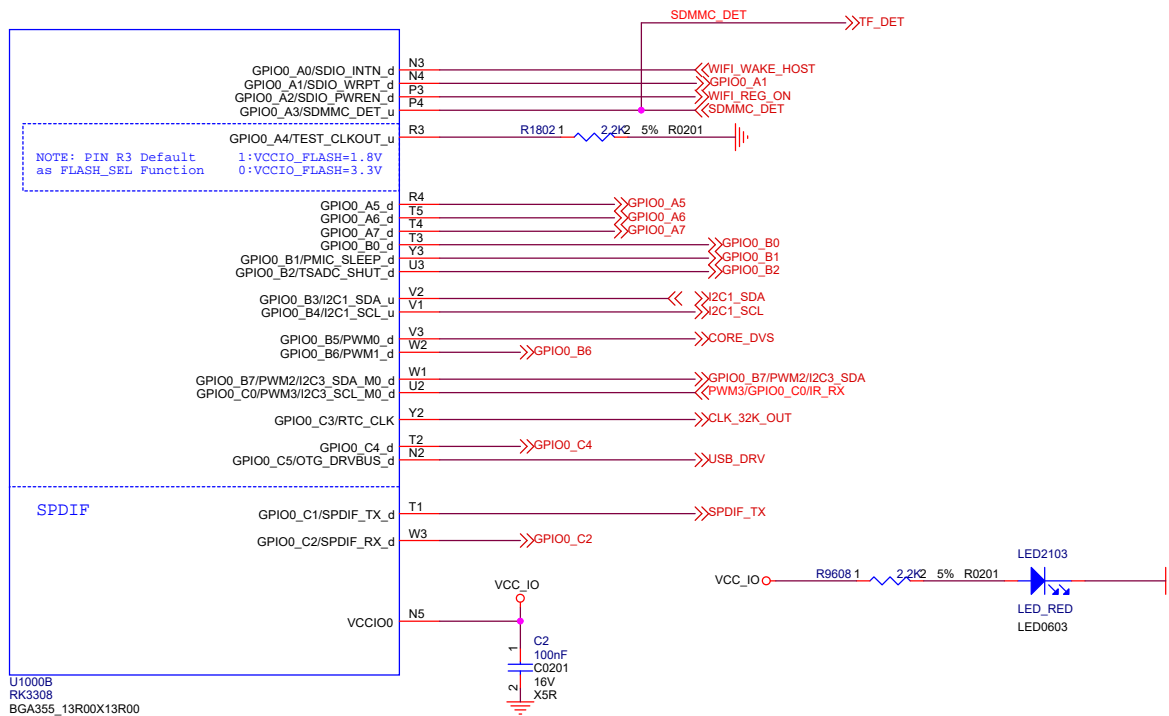


RK3308 Part-G

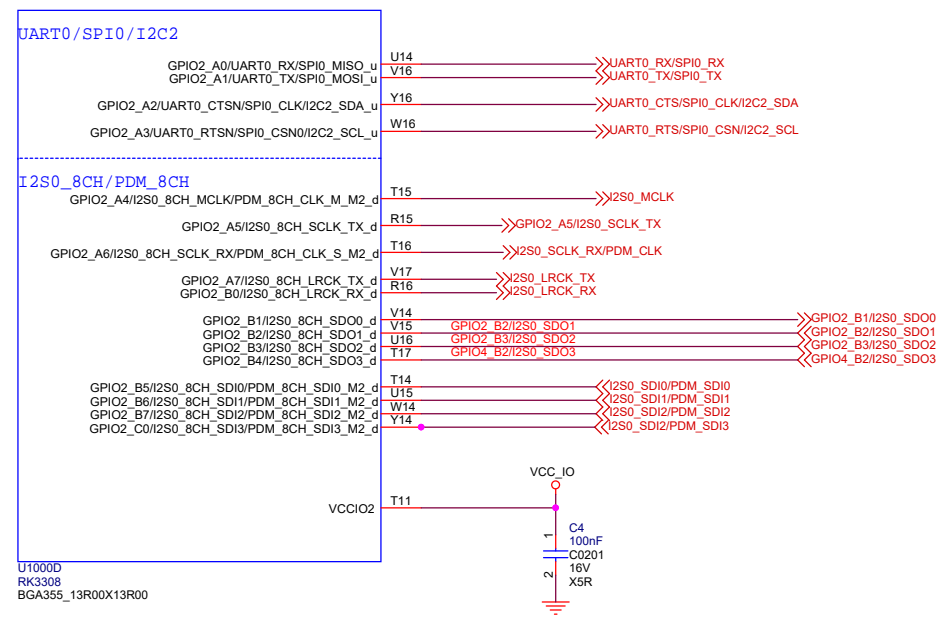



Size	Title: rCore-RK3308	REV
A3	Page Name: 08.RK3308 SDIO/SDMMC	2.2
Date: Friday, November 29, 2024	Sheet 8 of 19	

RK3308 Part-B

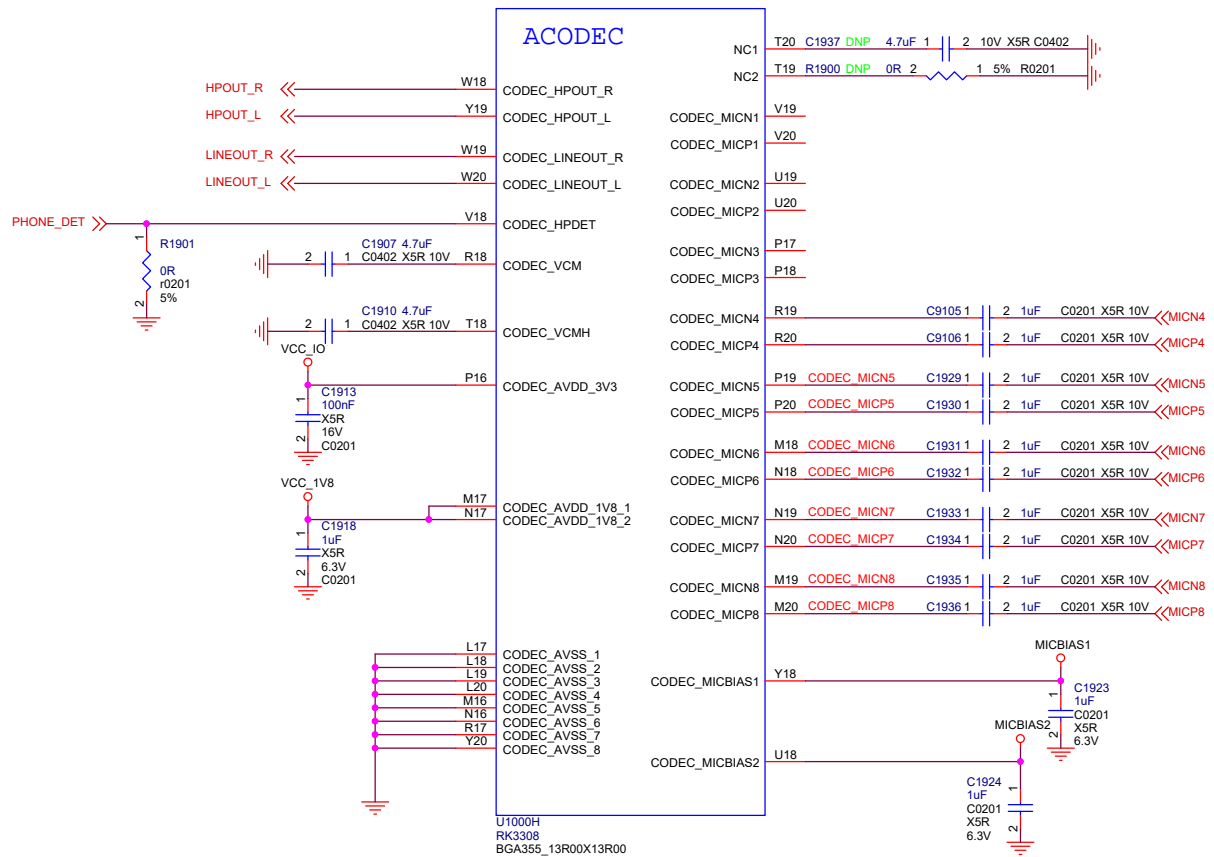


RK3308 Part-D



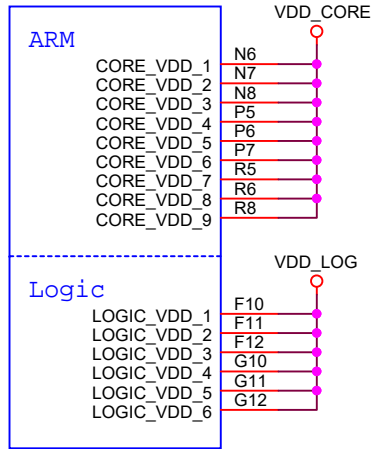


Size	Title: rCore-RK3308	REV
A3	Page Name: 09_RK3308 GPIO/I2S0/PDM/SPDIF	2.2
Date: Friday, November 29, 2024	Sheet	g of 19

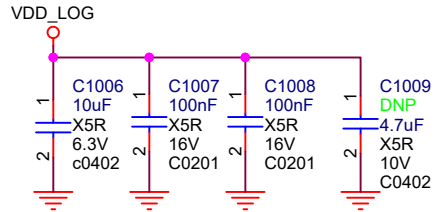
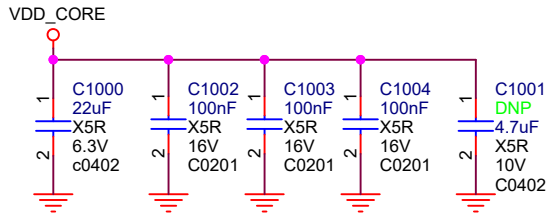


Application scene	MIC IN Channel	Loopback Channel
6MIC IN+ 2Speaker OUT	MIC3~MIC8	MIC1~MIC2
6MIC IN+ 1Speaker OUT	MIC3~MIC8	
5MIC IN+ 2Speaker OUT	MIC4~MIC8	
5MIC IN+ 1Speaker OUT	MIC4~MIC8	
4MIC IN+ 2Speaker OUT	MIC5~MIC8	
4MIC IN+ 1Speaker OUT	MIC5~MIC8	
3MIC IN+ 1Speaker OUT	MIC6~MIC8	
2MIC IN+ 1Speaker OUT	MIC7~MIC8	

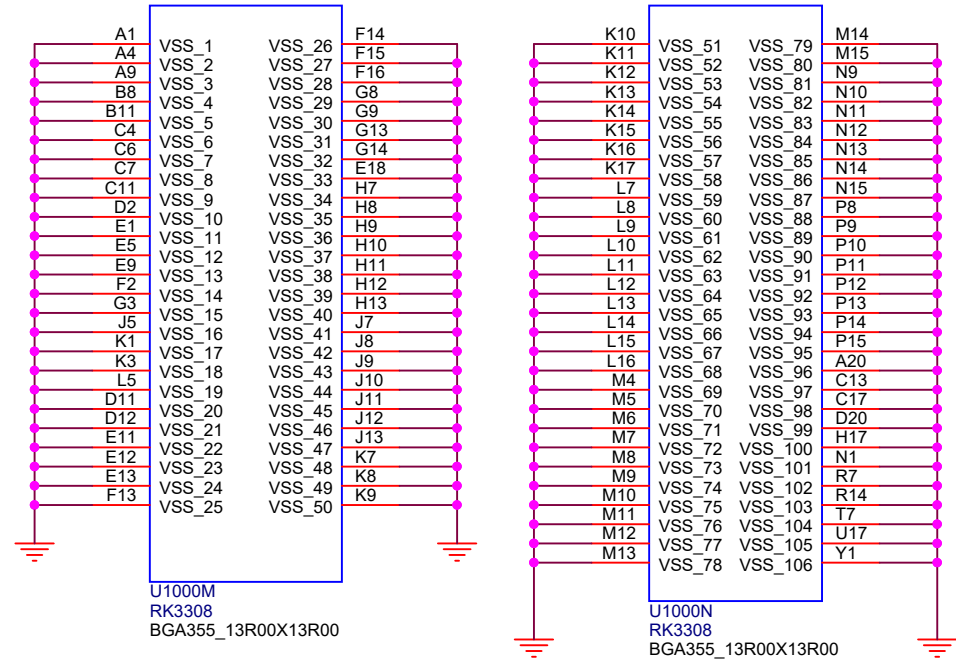
RK3308 Part-L



U1000L
RK3308
BGA355_13R00X13R00

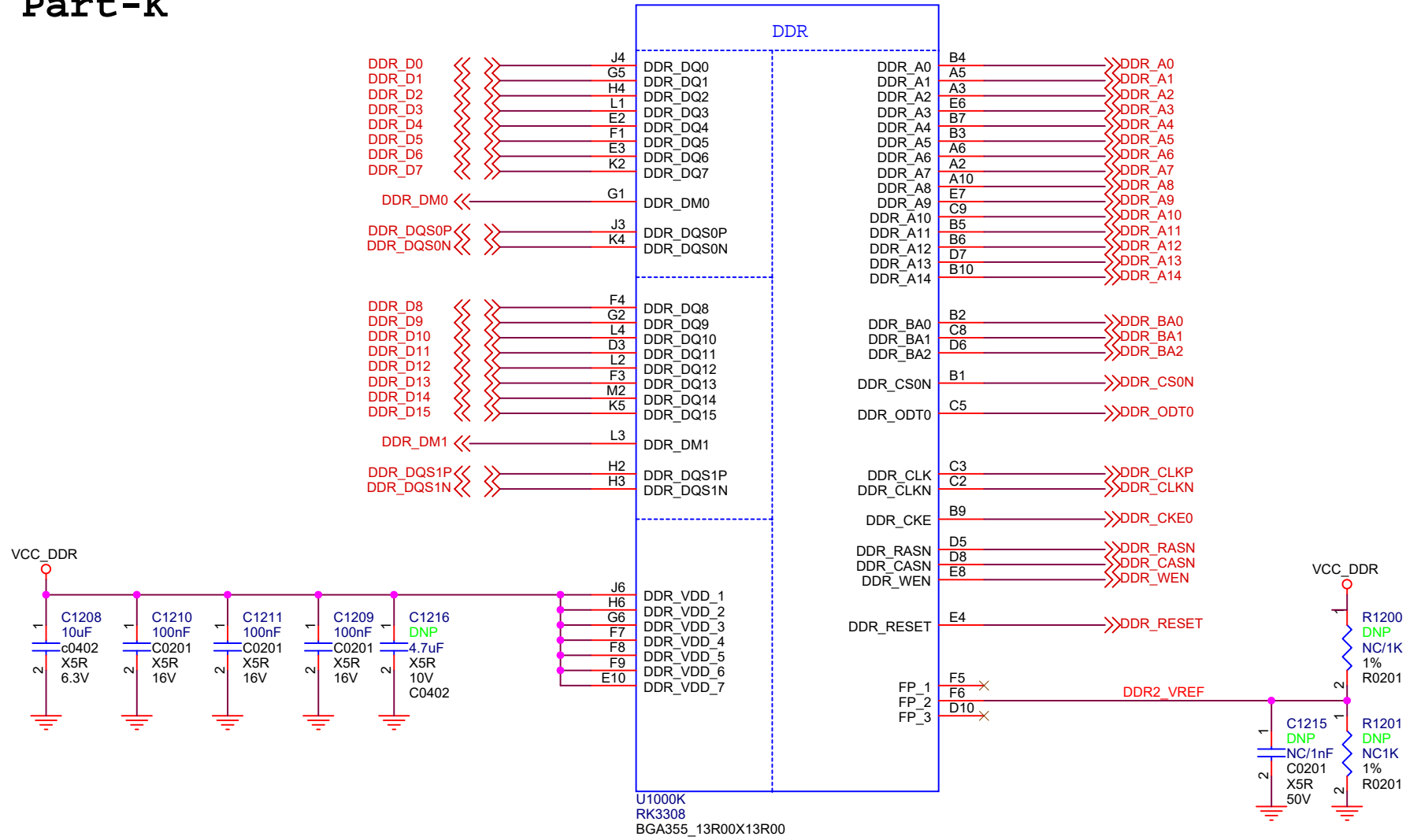


RK3308 Part-N



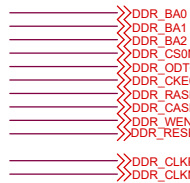
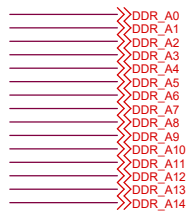
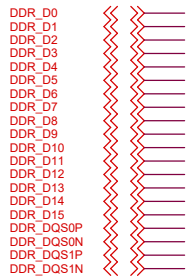
Size	Title: rCore-RK3308	REV
A4	Page Name: 11.RK3308 Power	2.2
Date: Friday, November 29, 2024	Sheet 11 of 19	

RK3308 Part-K

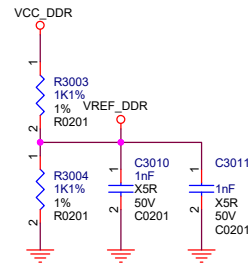
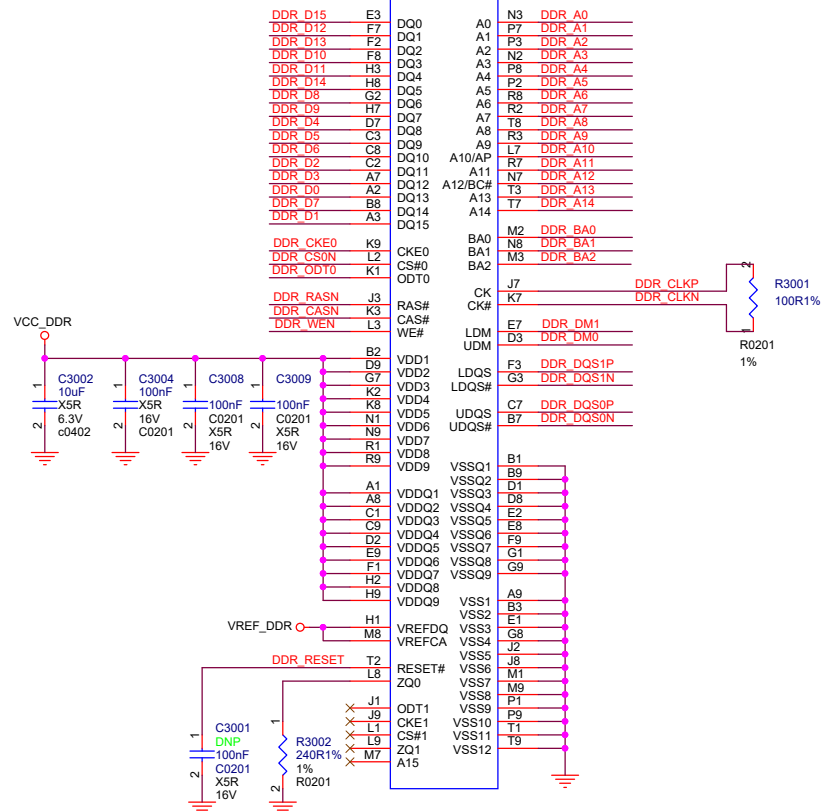


Size	Title: rCore-RK3308	REV
A4	Page Name: 12.RK3308 DDR Controller	2.2
Date: Friday, November 29, 2024	Sheet 12 of 19	

DDR3 1x16bit

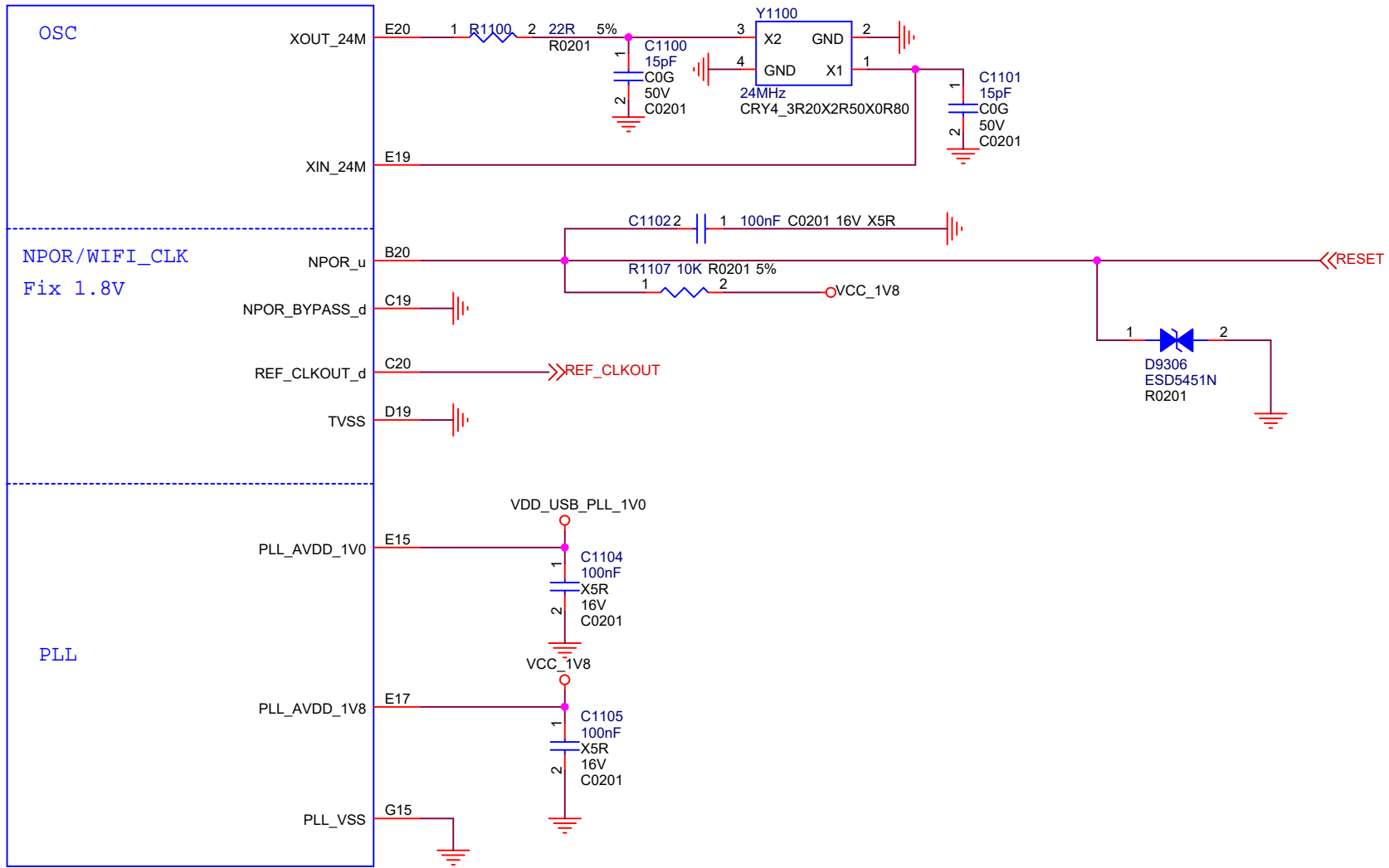


U3000
K4B2G1646F-BYK0
FBGA96 14R00X11R00X1R20



Size		Title: rCore-RK3308	REV
A3	Page Name:	13.RAM-DDR3 1x16bit	2.2
Date:	Friday, November 29, 2024	Sheet	13 of 19

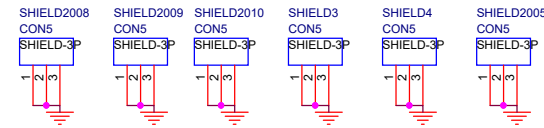
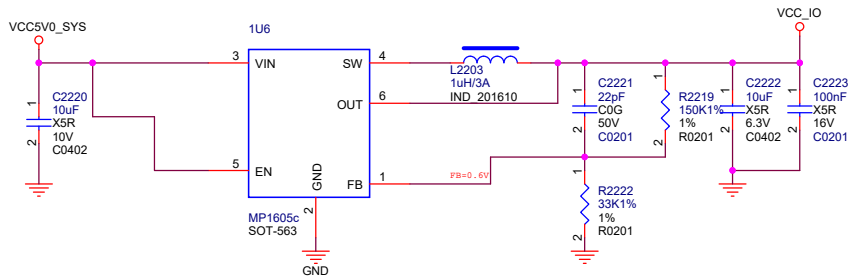
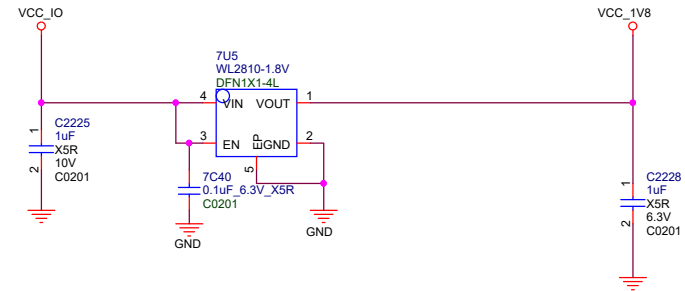
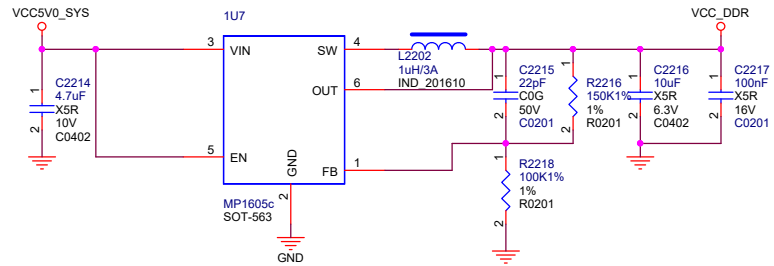
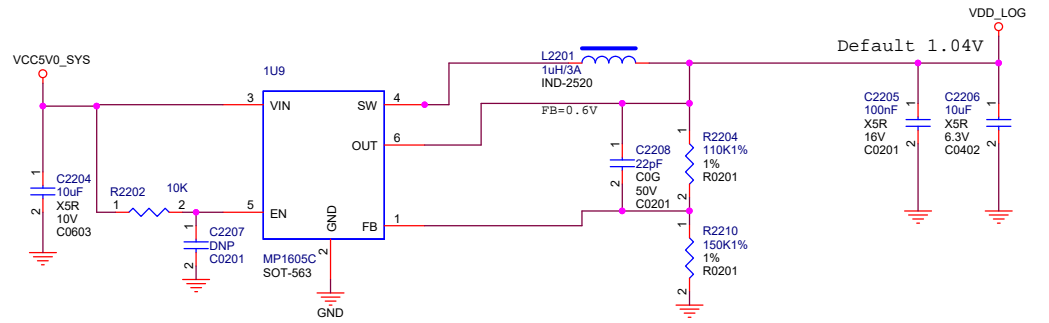
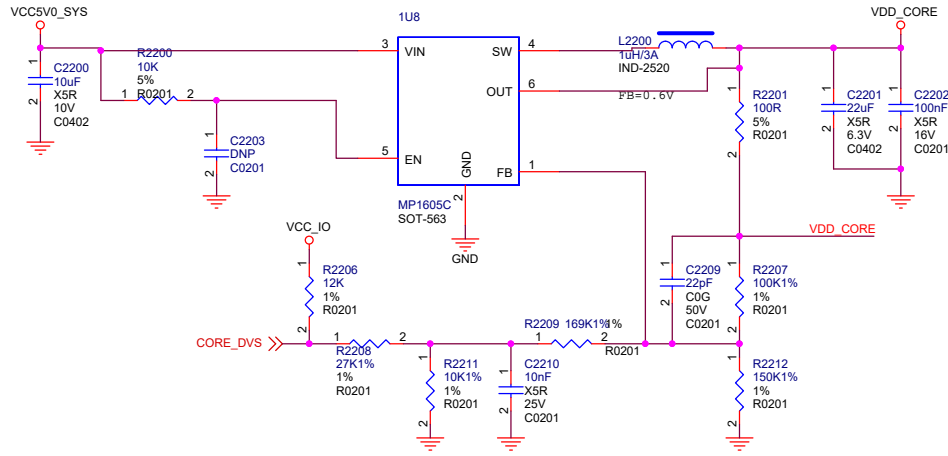
RK3308 Part-A



U1000A
RK3308
BGA355_13R00X13R00

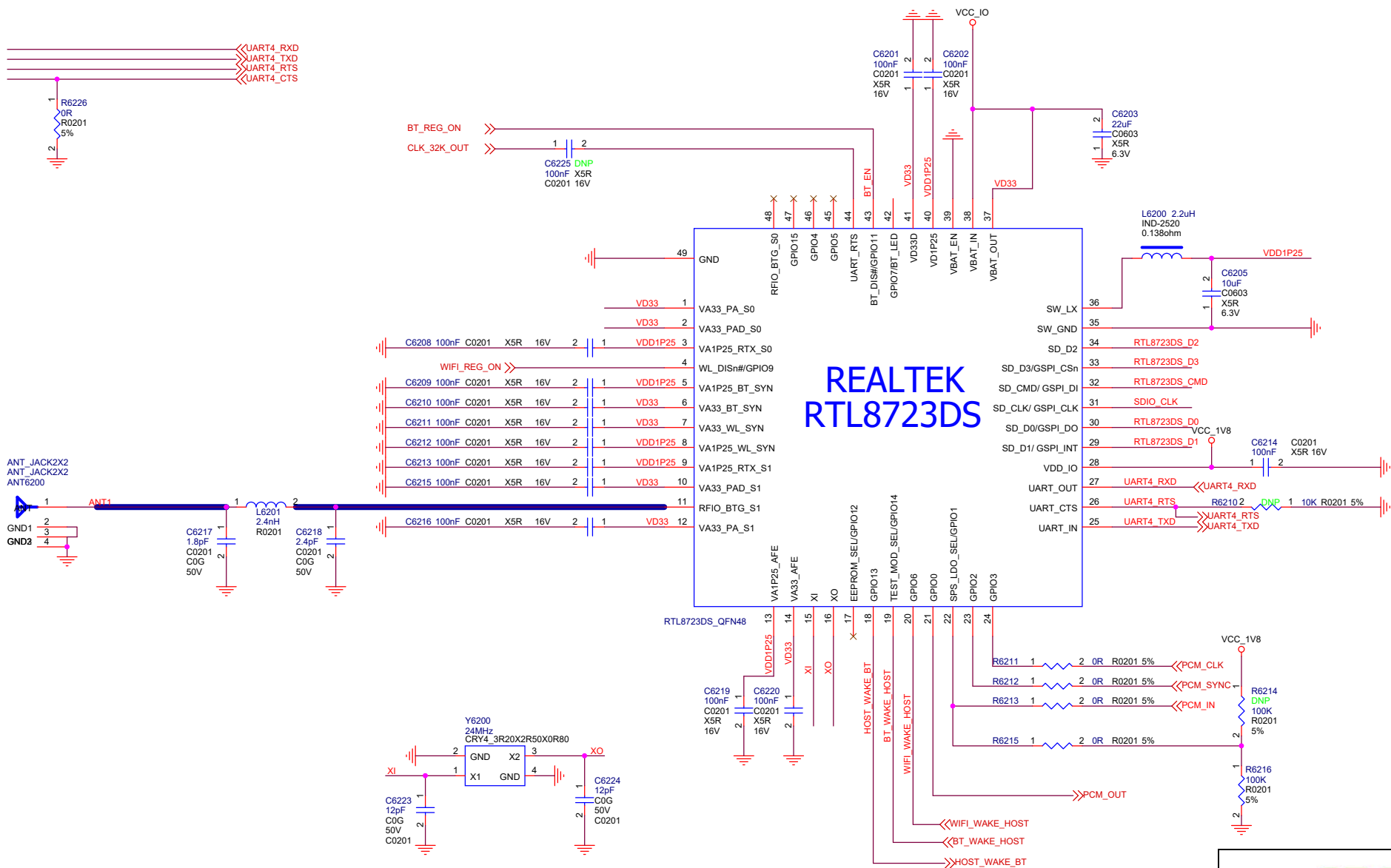


Size	Title: rCore-RK3308	REV
A4	Page Name: 14.RK3308 OSC/PLL	2.2
Date: Friday, November 29, 2024	Sheet 14 of 19	



Size	Title	rCore-RK3308	REV
A3	Page Name:	15.Discrete Power	2.2
Date:	Friday, November 29, 2024	Sheet	15 of 19

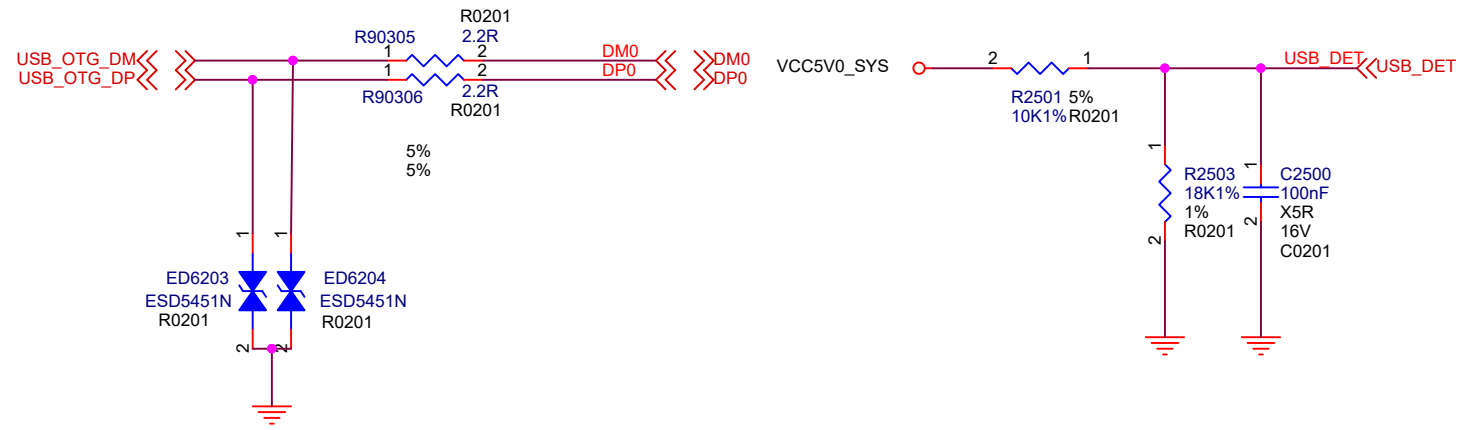
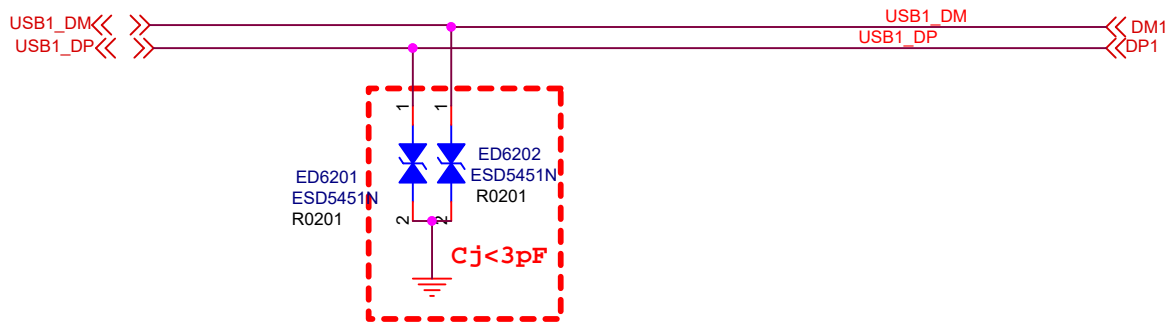
SDIO_D0 << SDIO_D0 R6200 1 2 22R 5% RTL8723DS_D0
 SDIO_D1 << SDIO_D1 R6201 1 2 22R 5% RTL8723DS_D1
 SDIO_D2 << SDIO_D2 R6202 1 2 22R 5% RTL8723DS_D2
 SDIO_D3 << SDIO_D3 R6203 1 2 22R 5% RTL8723DS_D3
 SDIO_CMD << SDIO_CMD R6204 1 2 22R 5% RTL8723DS_CMD
 SDIO_CLK << SDIO_CLK R0201



REALTEK RTL8723DS



Size	Title:	rCore-RK3308	REV
A3	Page Name:	16.WIFI/BT COB-RTL8723DS	2.2
Date:	Friday, November 29, 2024	Sheet	16 of 19



Size	Title: rCore-RK3308	REV
A4	Page Name: 17.USB Port	2.2
Date: Friday, November 29, 2024	Sheet 17 of 19	

