

ROCK_PI_X_V1 Block Diagram

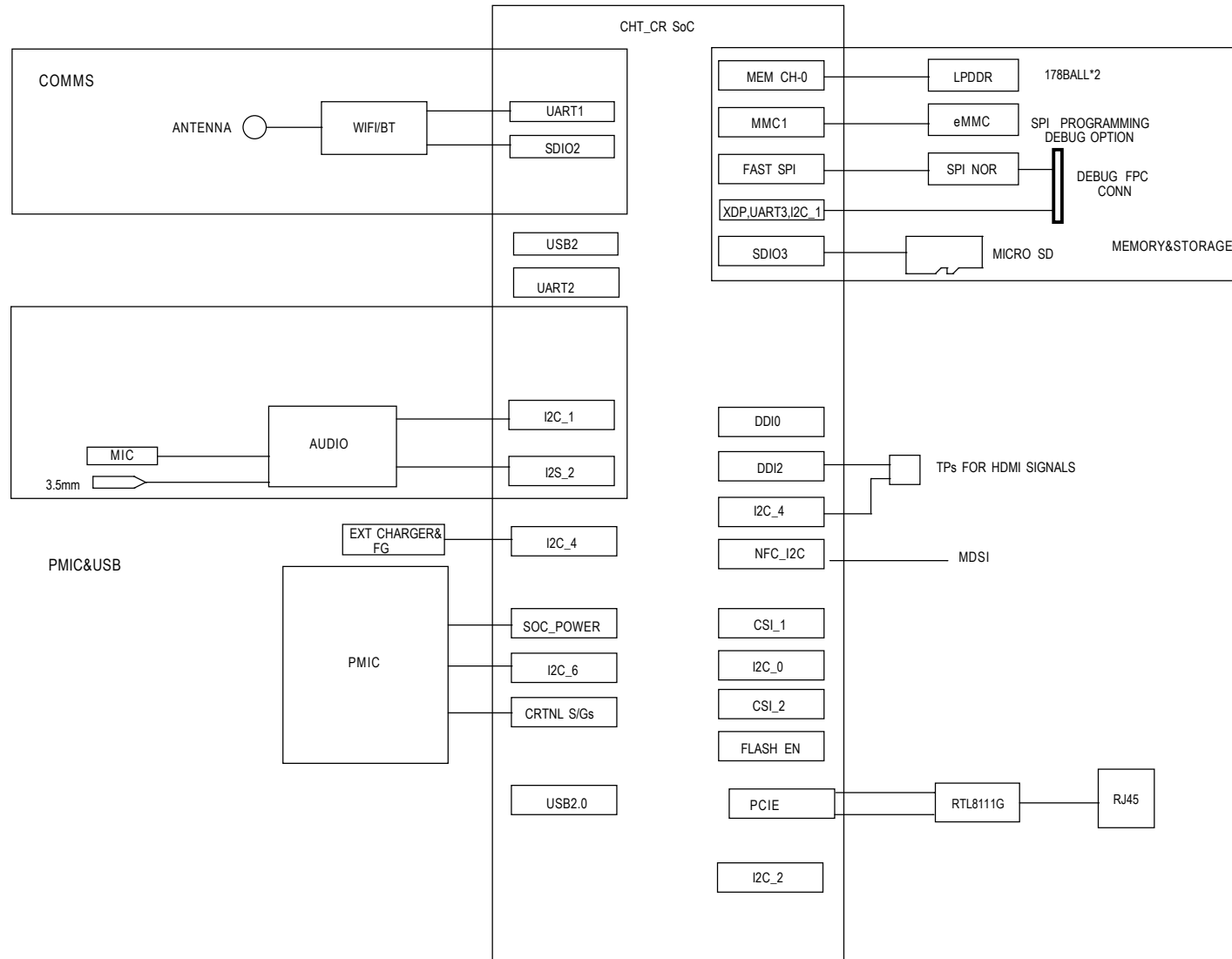
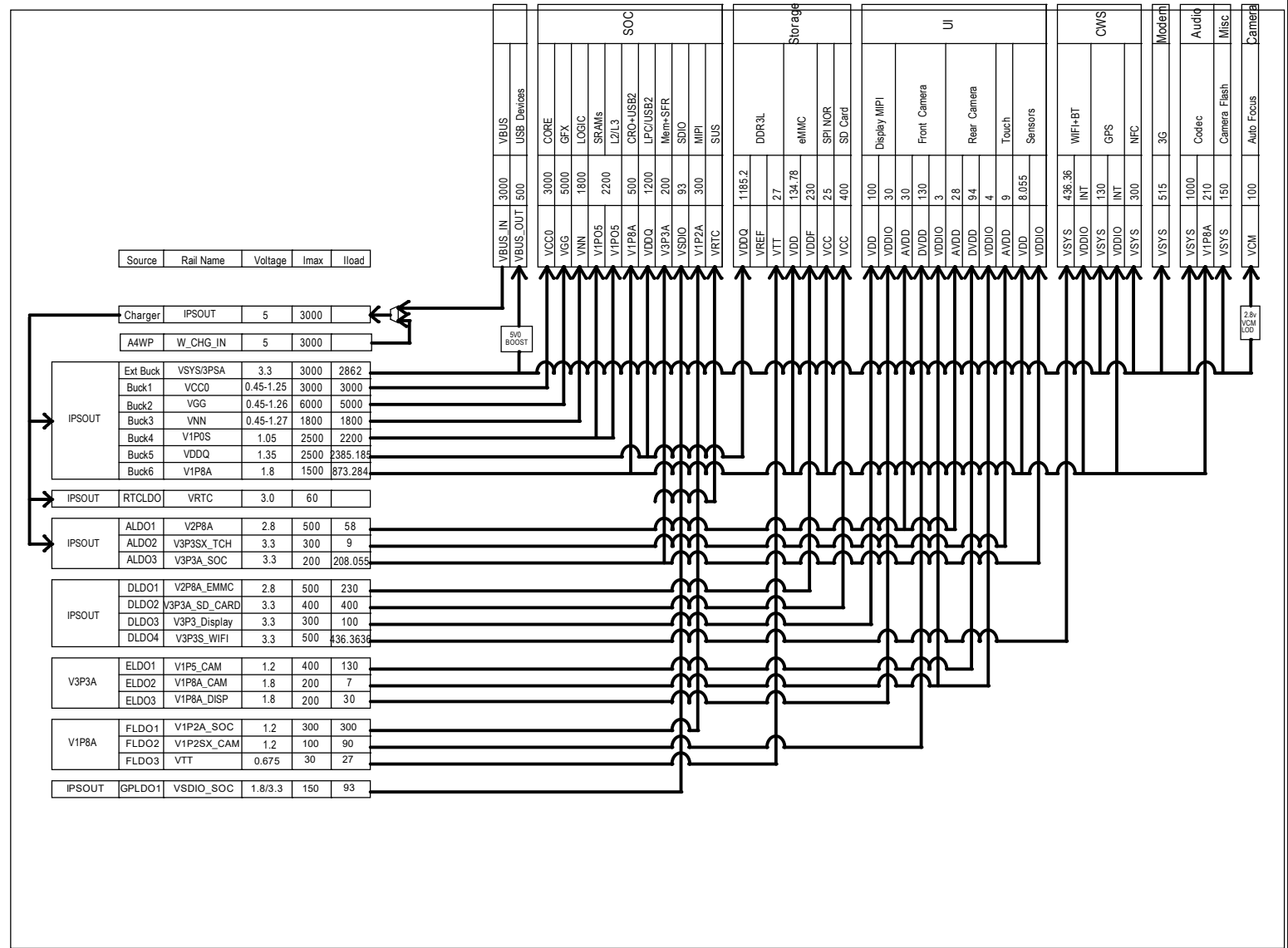


TABLE OF CONTENTS

SHEET NO.	SHEET NAME
1	BLOCK DIAGRAM
2	TABLE OF CONTENT & NOTES
3	SOC: MEMORY
4	SOC: DISPLAY & CAMERA
5	SOC: STORAGE & I2S
6	SOC: USB & I2C
7	SOC: PMU/DFX/CLK/UART/SUS
8	SOC: POWER 1
9	SOC: POWER 2
10	SOC: GND
11	SOC: DECOUPLING
12	PMIC: SWITCHING REGULATORS
13	PMIC: LDOS
14	PMIC: HOST & MISC INTERFACES
15	USB CONNECTOR
16	MEMORY DEVICE 0 & 1
17	MEMORY DEVICE 2 & 3
18	GPIO CONNECT
19	SPI NOR FLASH
20	EMMC
21	GBE LAN
22	LCD CON
23	DISPLAY: MCS1
24	AUDIO CODE
25	DC_IN
26	BLANK
27	HDMI LEVEL SHIFTERS
28	MICRO-SIM CONNECTOR
29	WIFI-BT

POWER MAP



16,17 LPDDR3_M0_CA0
 16,17 LPDDR3_M0_CA1
 16,17 LPDDR3_M0_CA2
 16,17 LPDDR3_M0_CA3
 16,17 LPDDR3_M0_CA4
 16,17 LPDDR3_M0_CA5
 16,17 LPDDR3_M0_CA6
 16,17 LPDDR3_M0_CA7
 16,17 LPDDR3_M0_CA8
 16,17 LPDDR3_M0_CA9

16 LPDDR3_M0_DM0_A
 16 LPDDR3_M0_DM2_A
 16 LPDDR3_M0_DM3_A
 16 LPDDR3_M0_DM1_A
 17 LPDDR3_M0_DM2_B
 17 LPDDR3_M0_DM0_B
 17 LPDDR3_M0_DM1_B
 17 LPDDR3_M0_DM3_B

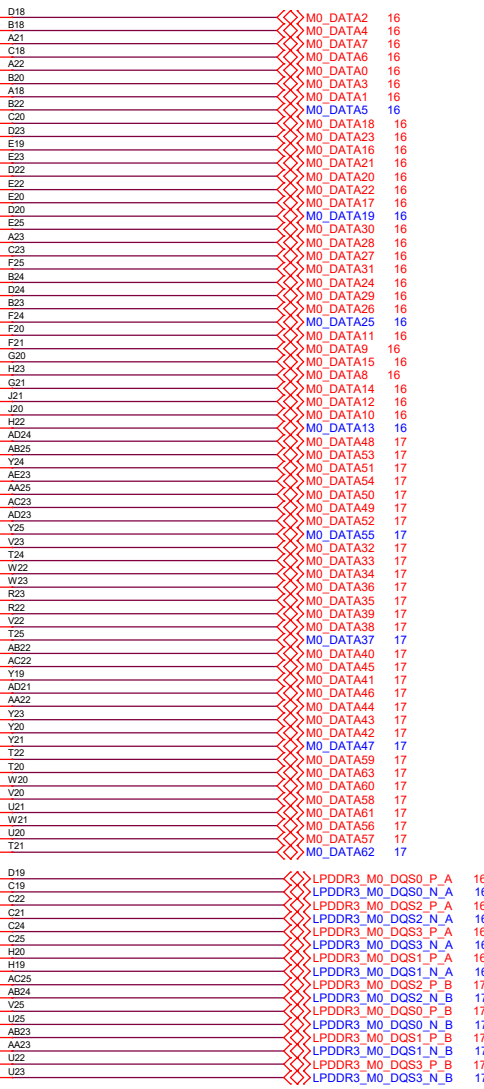
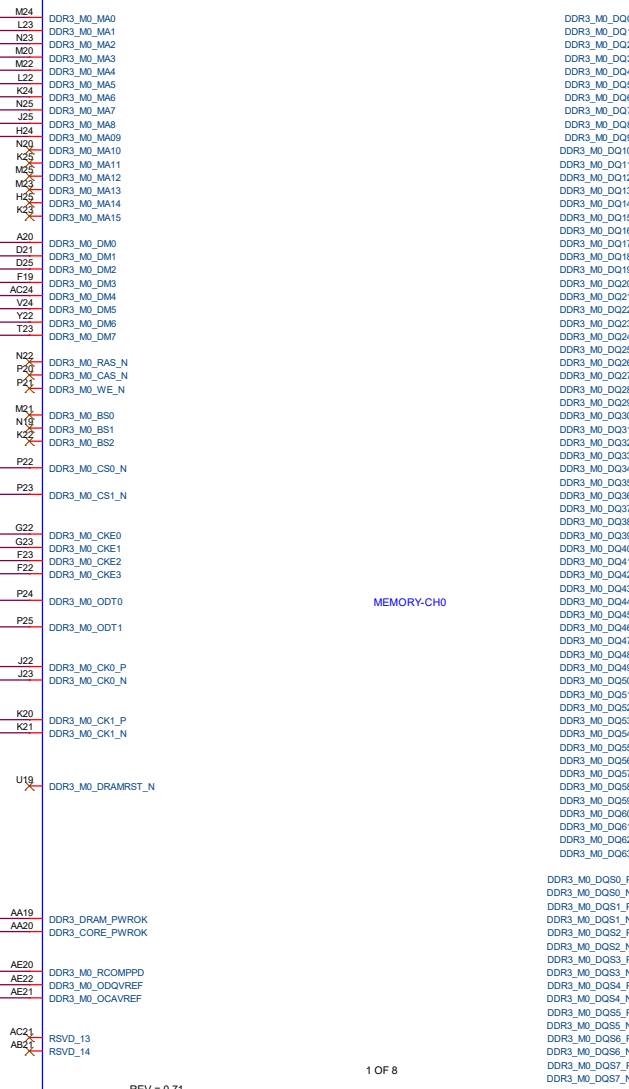
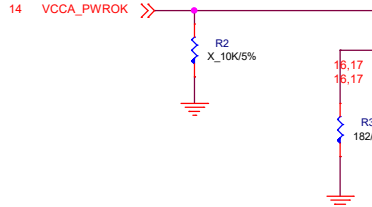
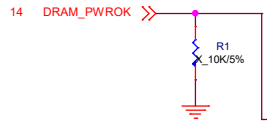
16,17 LPDDR3_M0_CS0_N
 16,17 LPDDR3_M0_CS1_N

16 LPDDR3_M0_CKE0_A
 16 LPDDR3_M0_CKE1_A
 17 LPDDR3_M0_CKE0_B
 17 LPDDR3_M0_CKE1_B

16 LPDDR3_M0_ODT_A
 17 LPDDR3_M0_ODT_B

16 LPDDR3_M0_CLK_DP_A
 16 LPDDR3_M0_CLK_DN_A

17 LPDDR3_M0_CLK_DP_B
 17 LPDDR3_M0_CLK_DN_B



MEMORY-CH0

REV = 0.71

1 OF 8

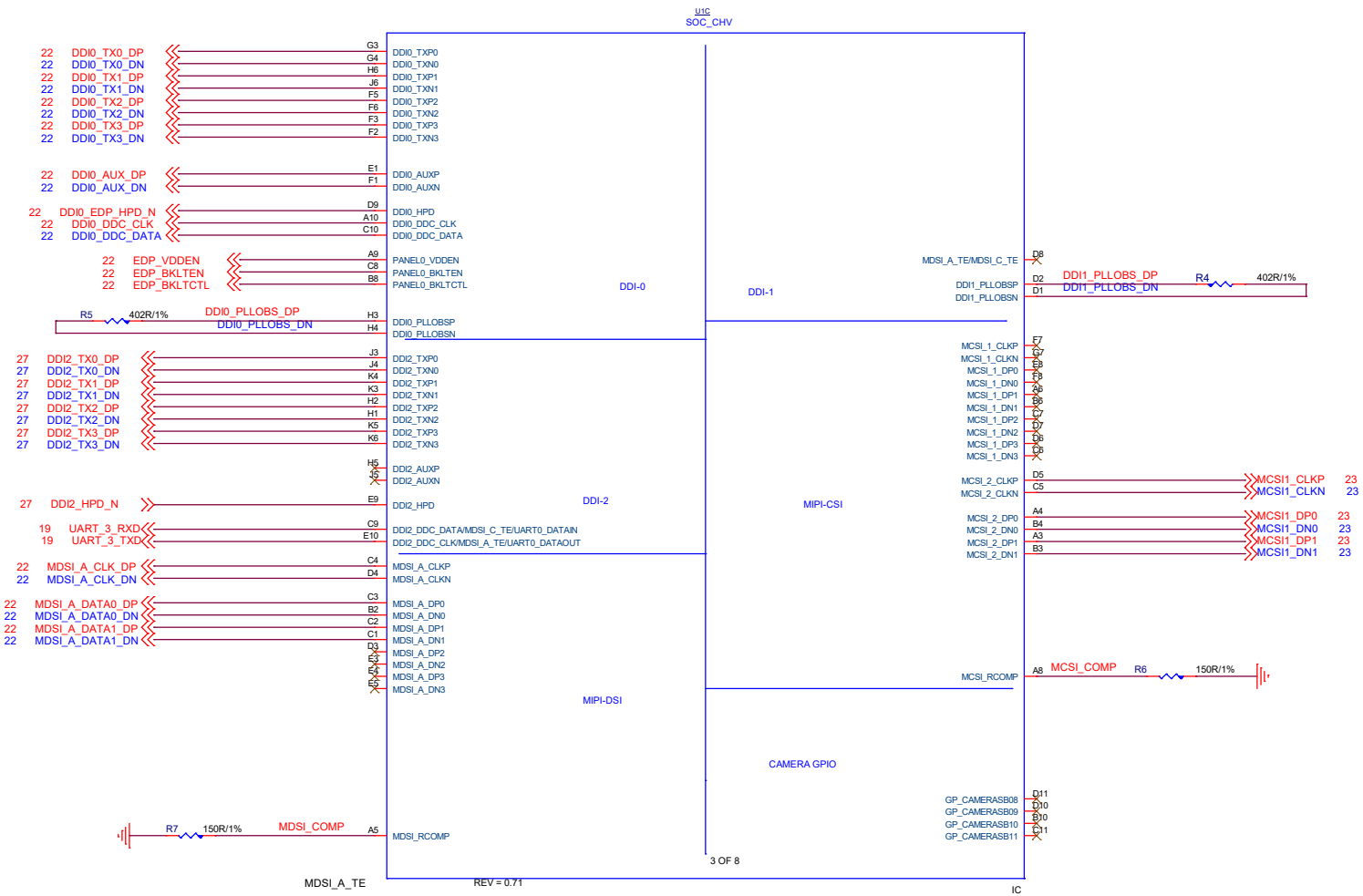


Size	Title		Rev
Custom	ROCK_PI_X		
	Document Number	SOC_MEMORY	V1.3
Date:	Friday, August 14, 2020	Sheet 3 of 27	

DP

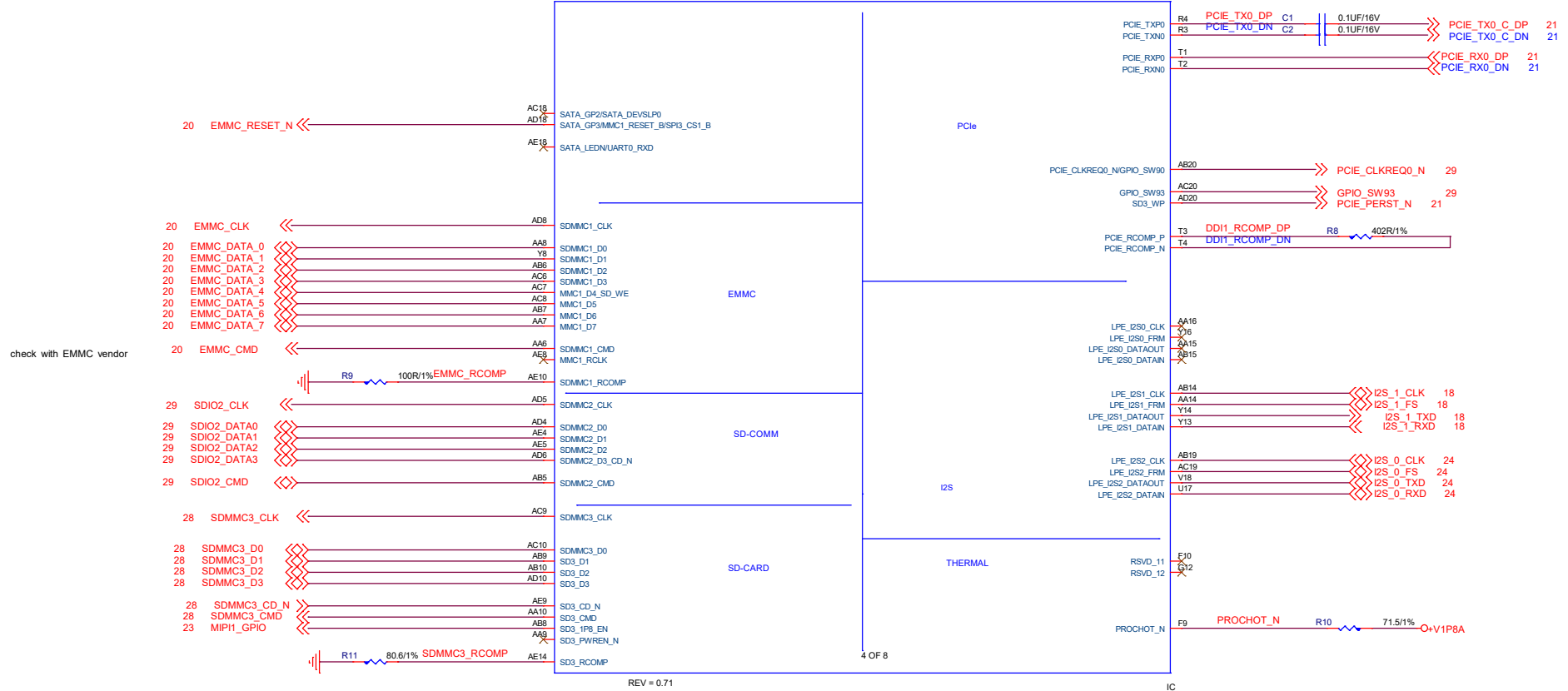
HDMI

LCD



Size	Title	ROCK_PI_X	Rev
Custom	Document Number	SOC_DISPLAY & CAMERA	V1.3
Date:	Friday, August 14, 2020	Sheet	4 of 27

UID
SOC_CHV

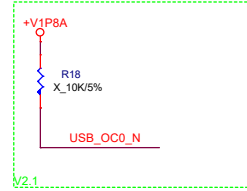
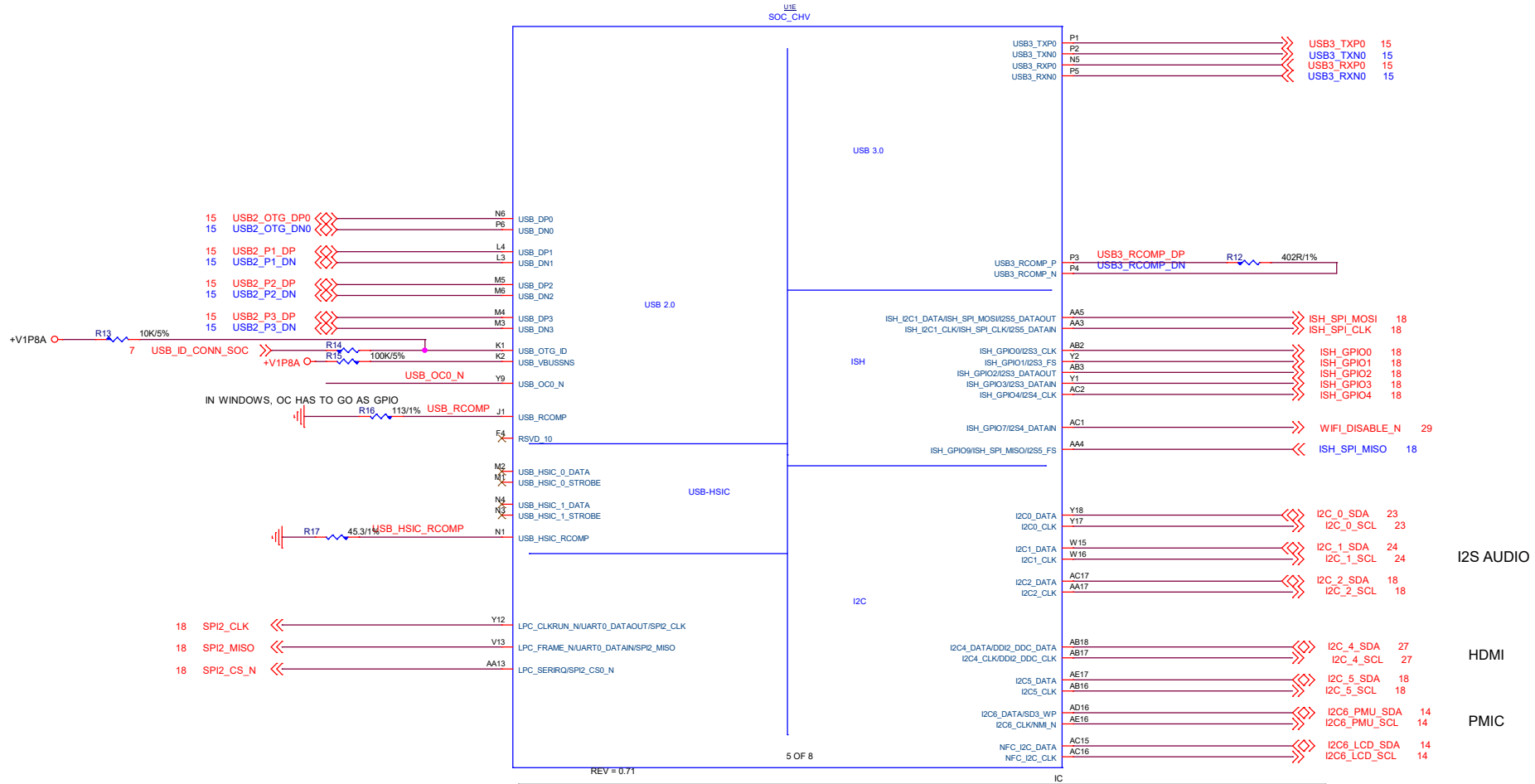


REV = 0.71

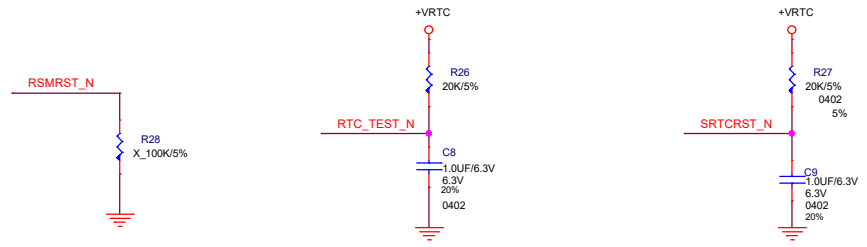
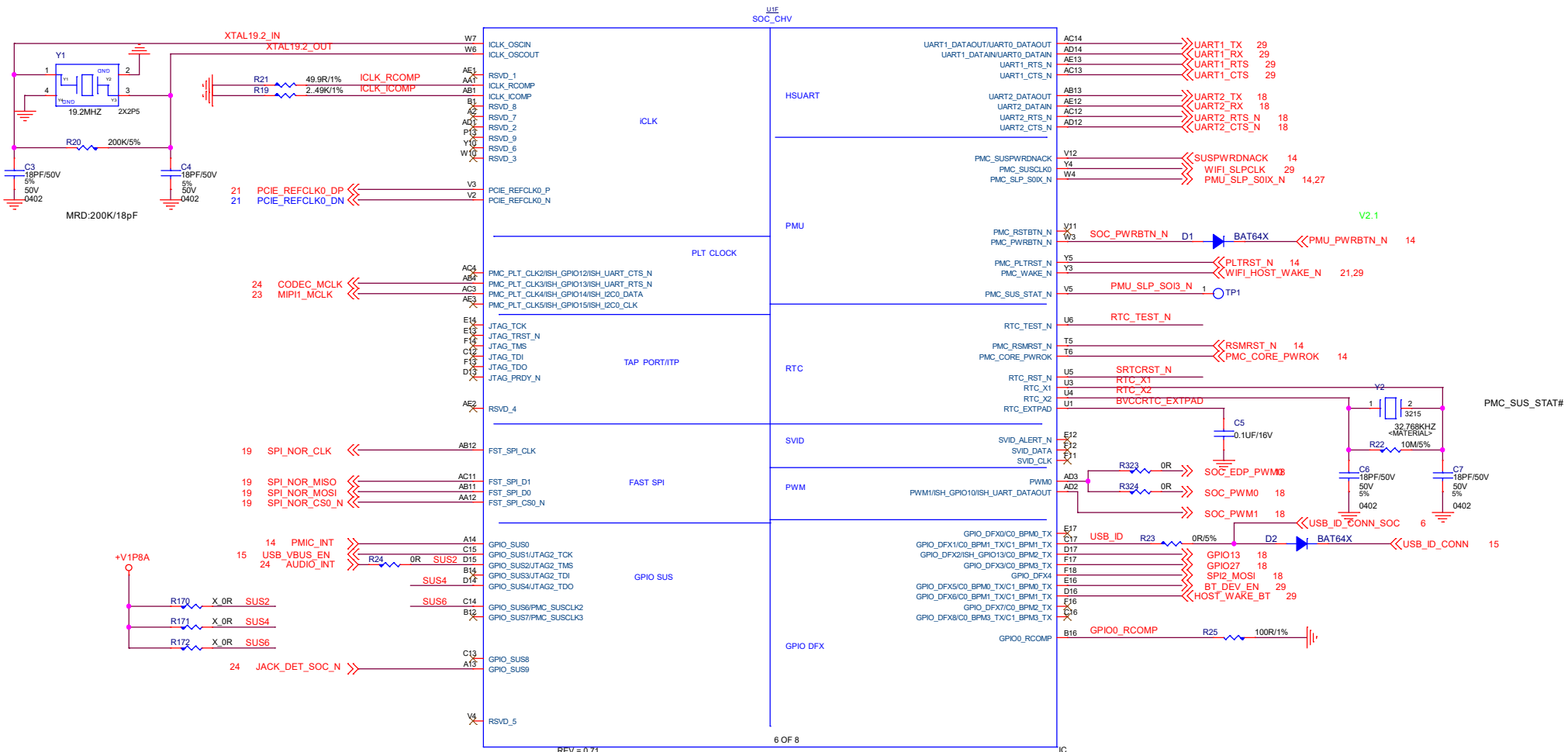
4 OF 8

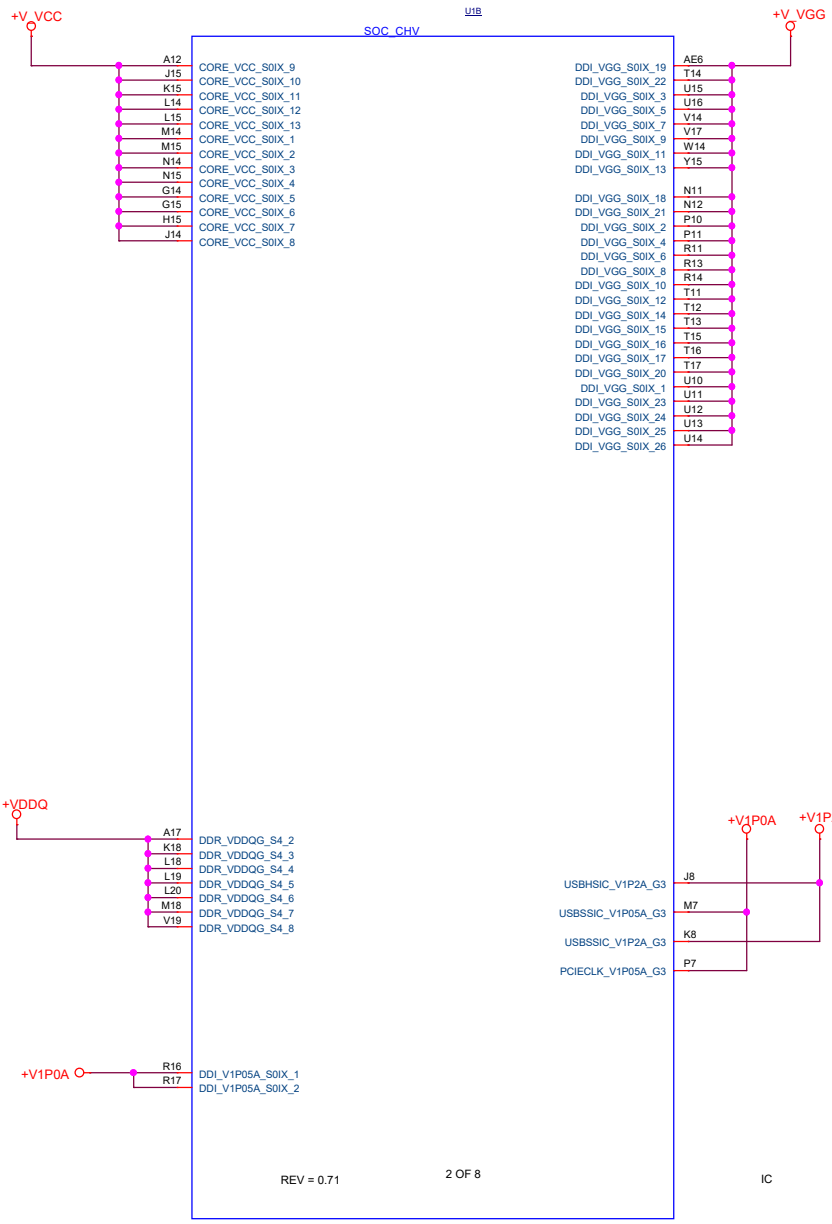


Size	Title	Rev
Custom	ROCK_PI_X SOC_STORAGE & I2S	V1.3
Date:	Friday, August 14, 2020	Sheet 5 of 27



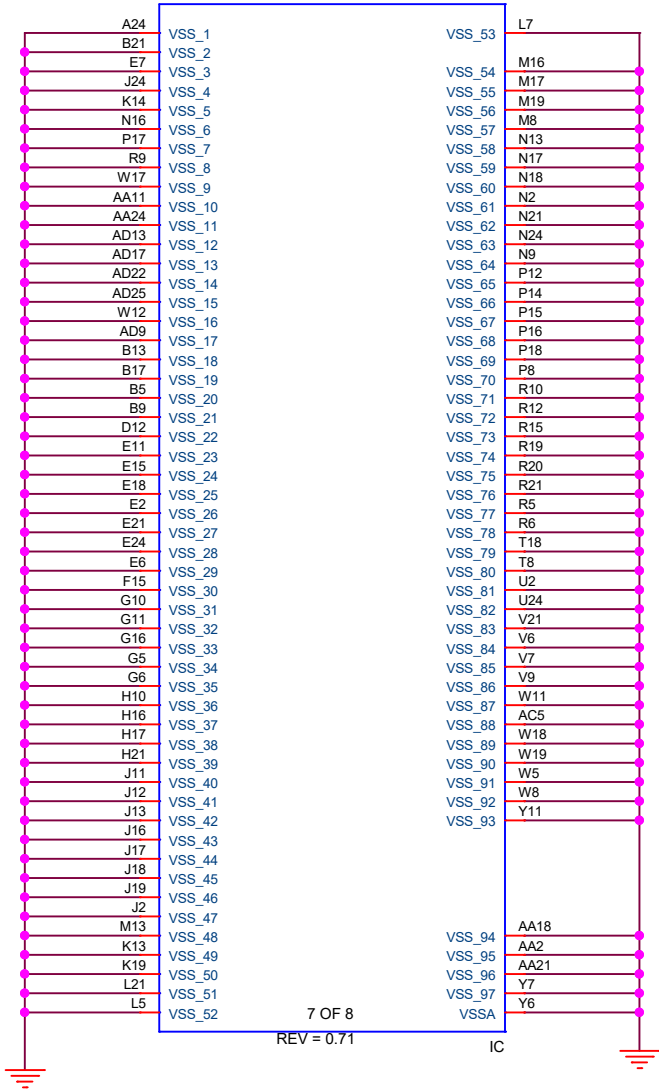
		Size	Title	ROCK_PI_X	Rev
		Custom	Document Number	SOC_USB & I2C	V1.3
Date:	Friday, August 14, 2020	Sheet	6	of	27




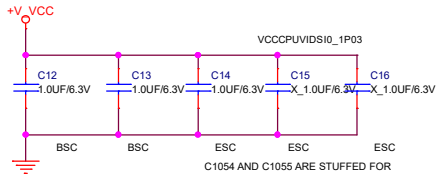


Size	Title	ROCK_PI_X	Rev
B	Document Number	SOC_POWER 1	V1.3
Date:	Friday, August 14, 2020	Sheet	8 of 27

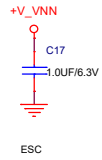
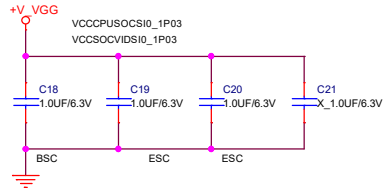
U16
SOC_CHV



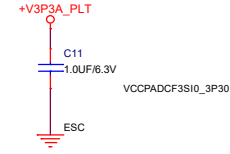
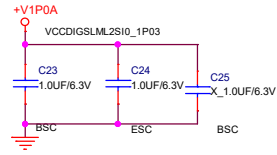
		
Size	Title	Rev
A4	ROCK_PI_X	V1.3
	Document Number	SOC_GND
Date:	Friday, August 14, 2020	Sheet 10 of 27



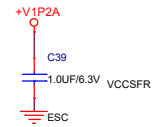
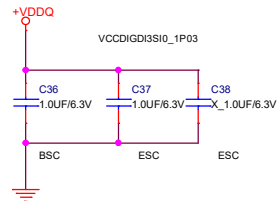
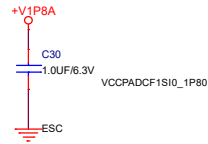
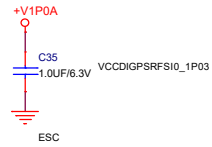
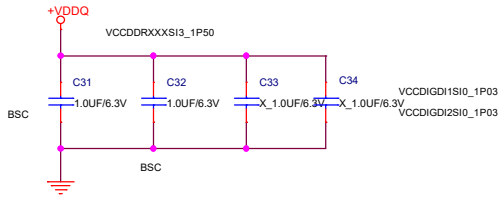
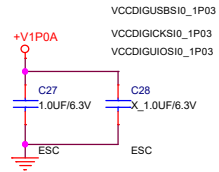
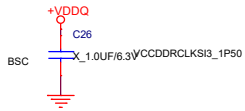
C1054 AND C1055 ARE STUFFED FOR VALIDATION WHEN BSC'S ARE UNSTUFFED



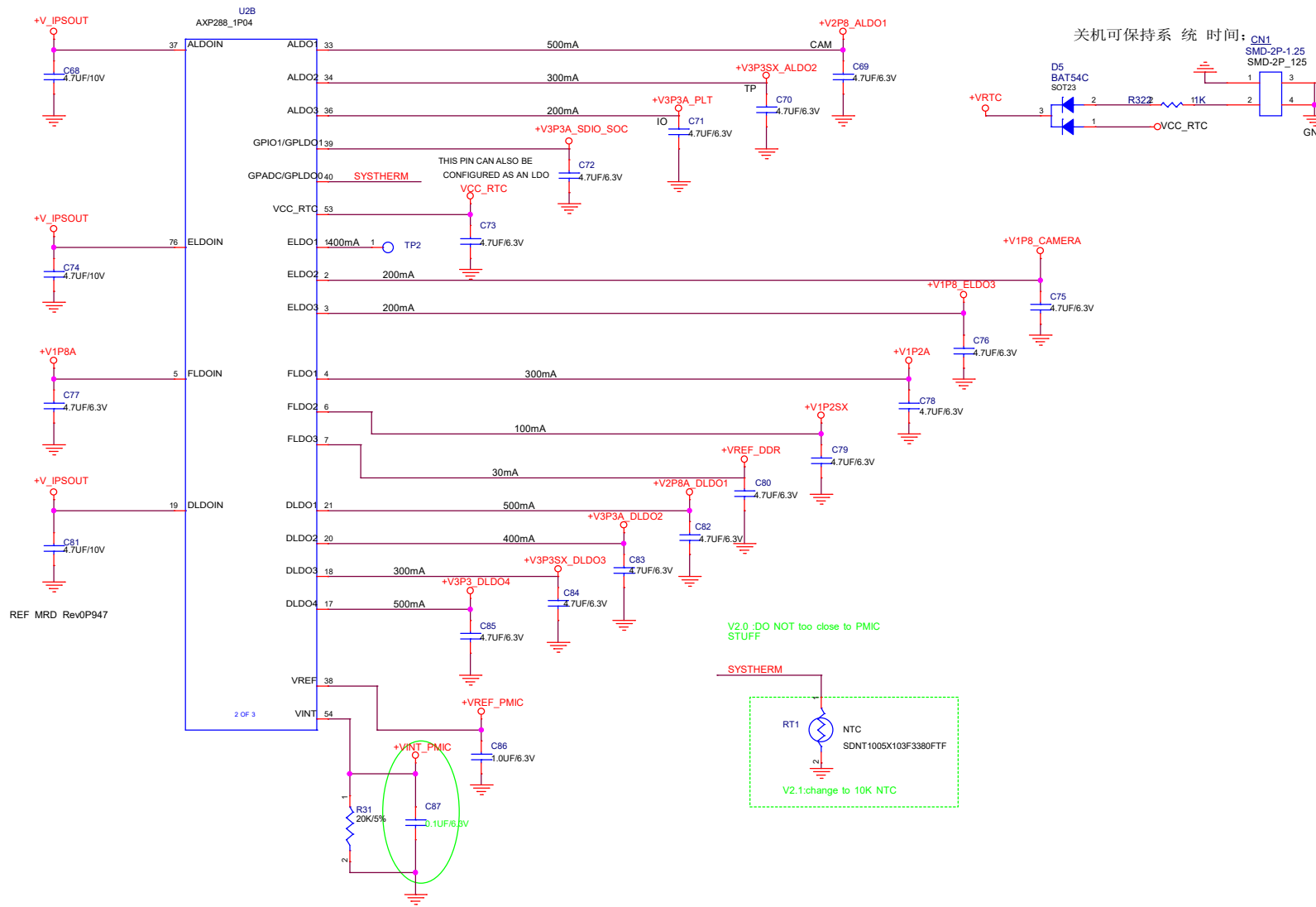
VCCDIGGENSI0_1P03



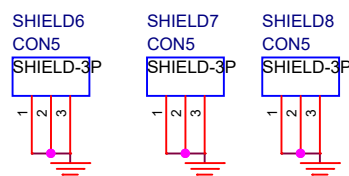
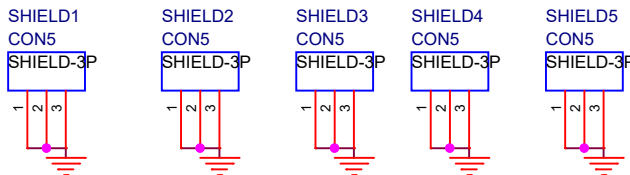
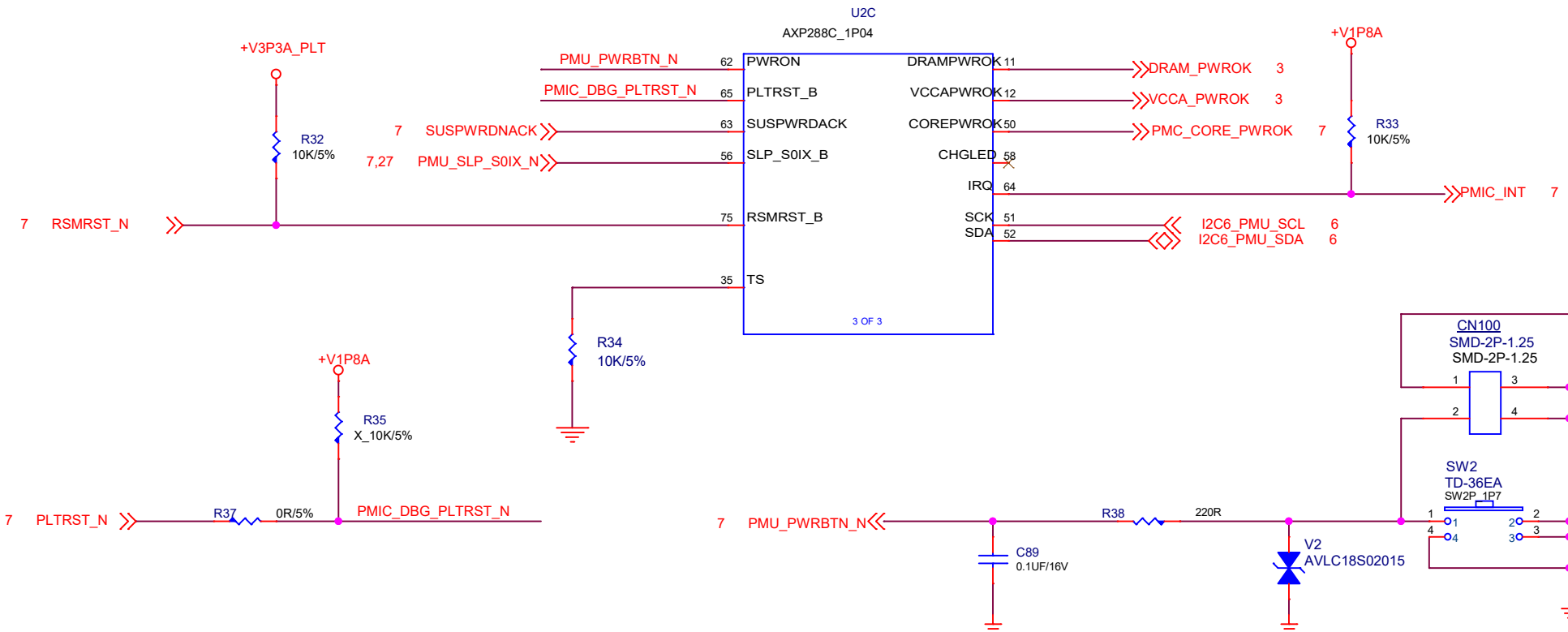
+V3P3A_SDIO_SOC

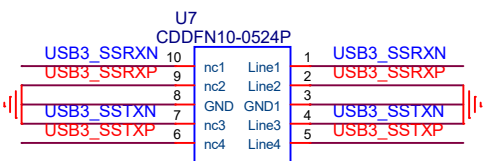
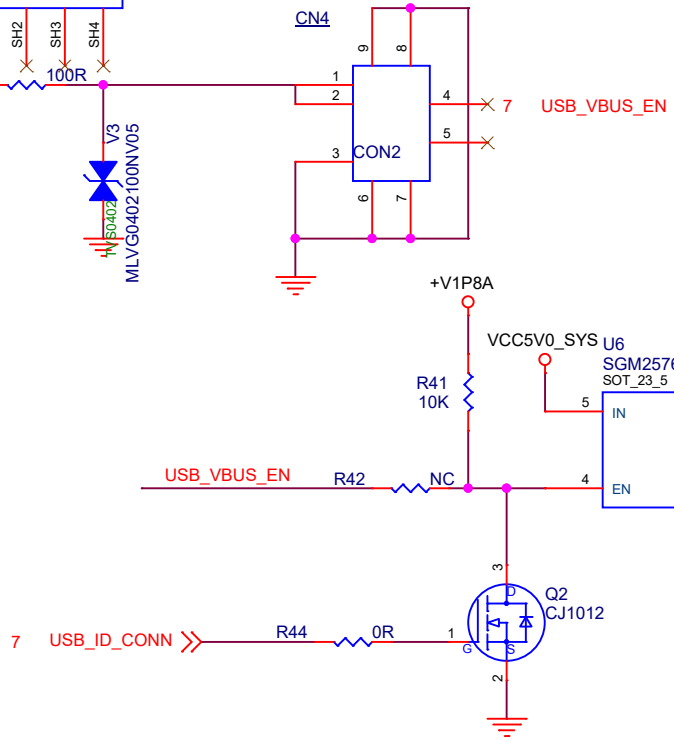
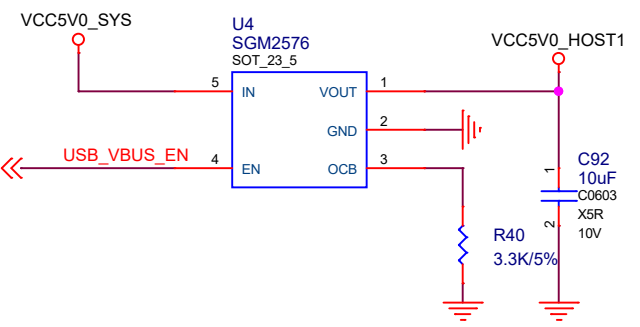
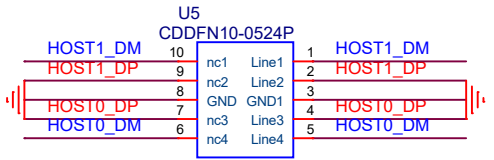
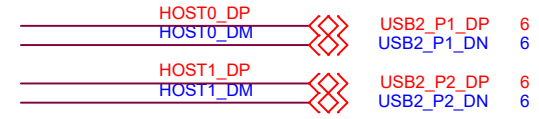
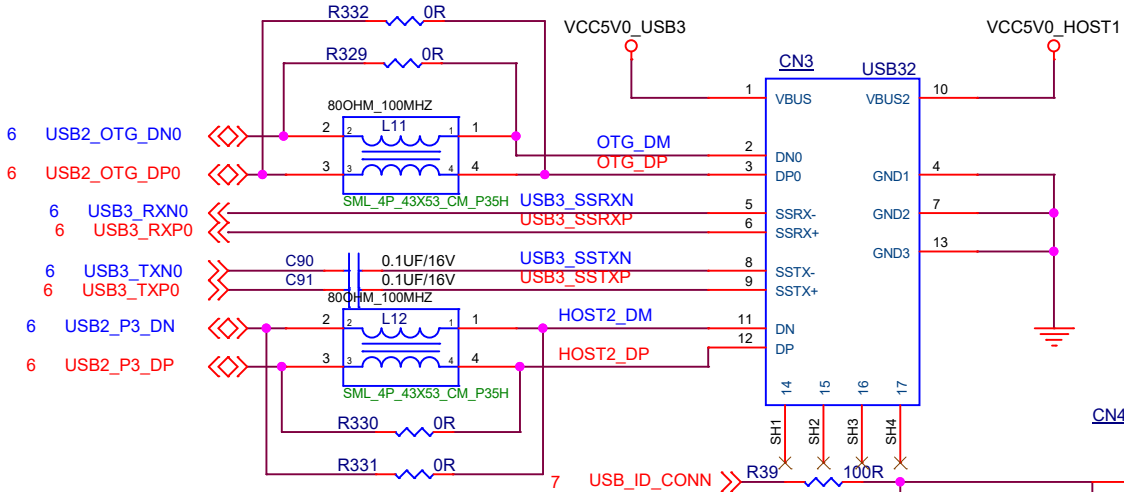
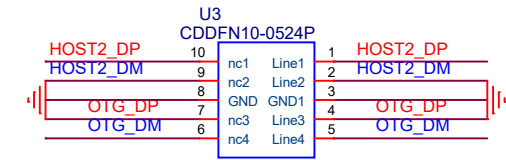
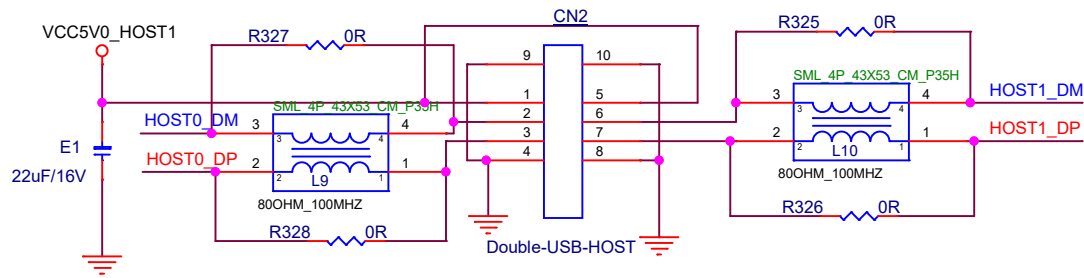


Size	Title	ROCK_PI_X	Rev
Custom	Document Number	SOC_DECOUPLING	V1.3
Date:	Friday, August 14, 2020	Sheet	11 of 27

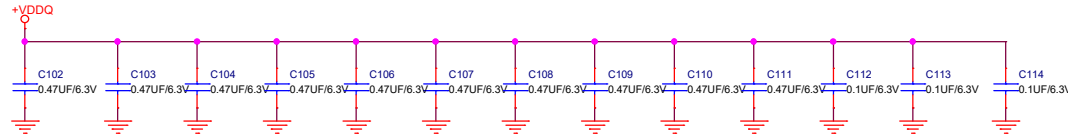
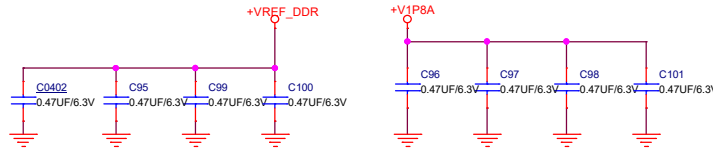
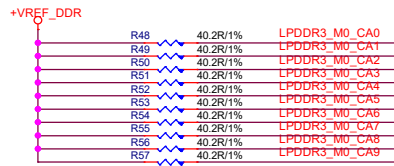
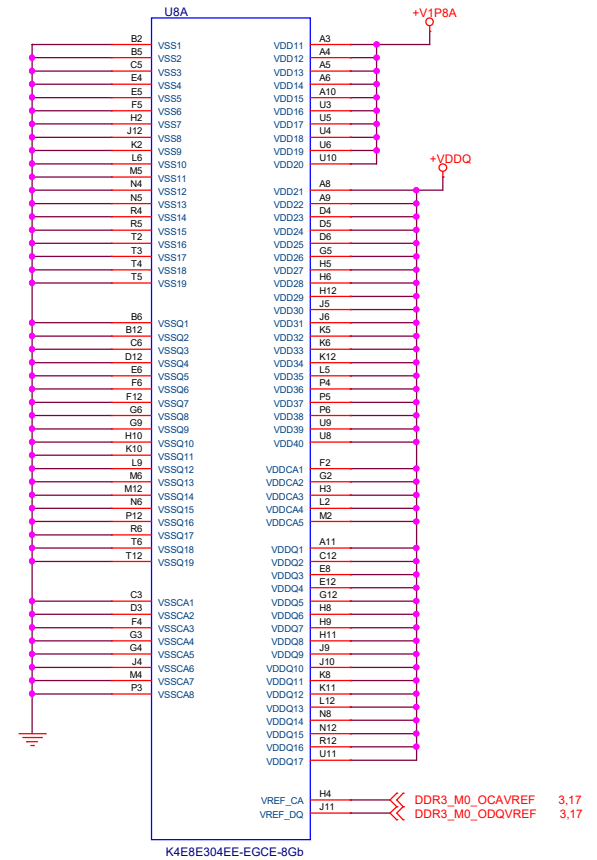
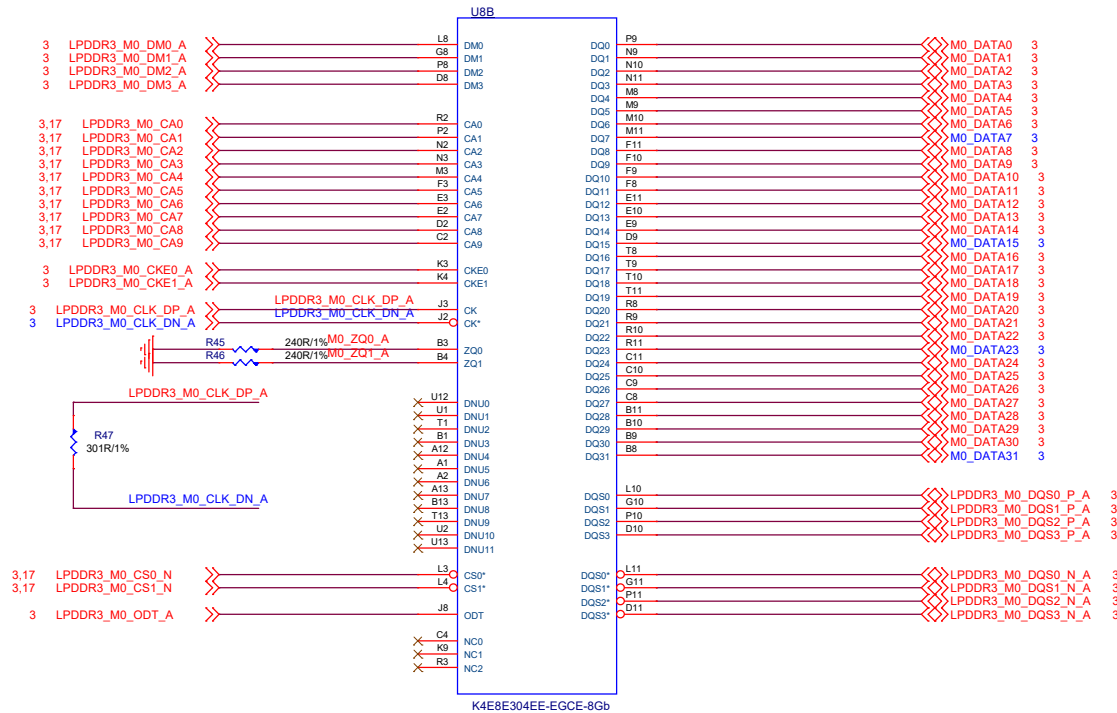



Size	Title	ROCK_PI_X	Rev
Custom	Document Number	PMIC_LDOS	V1.3
Date:	Friday, August 14, 2020	Sheet	13 of 27



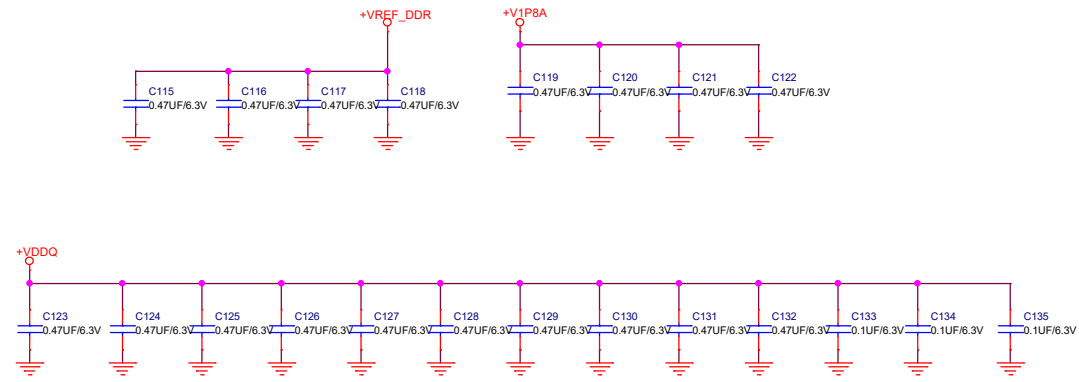
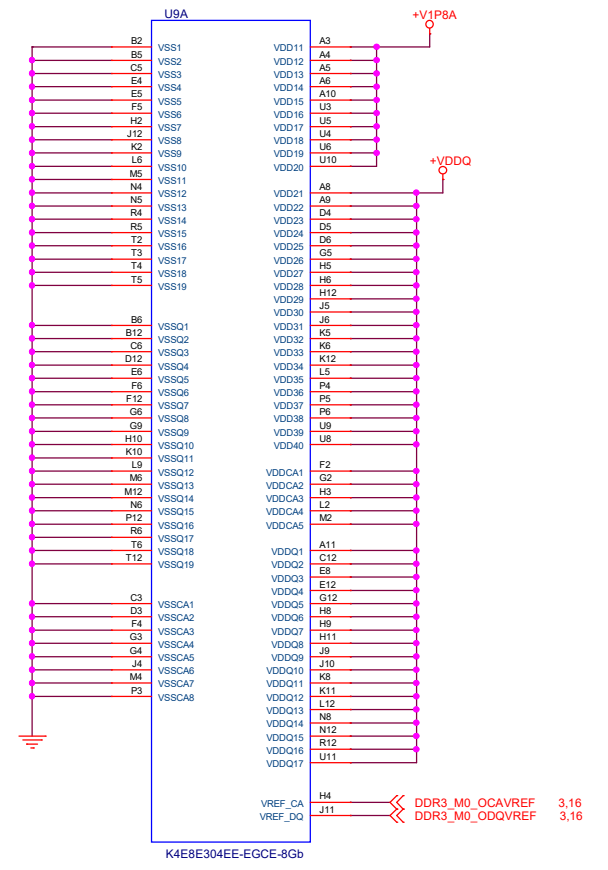
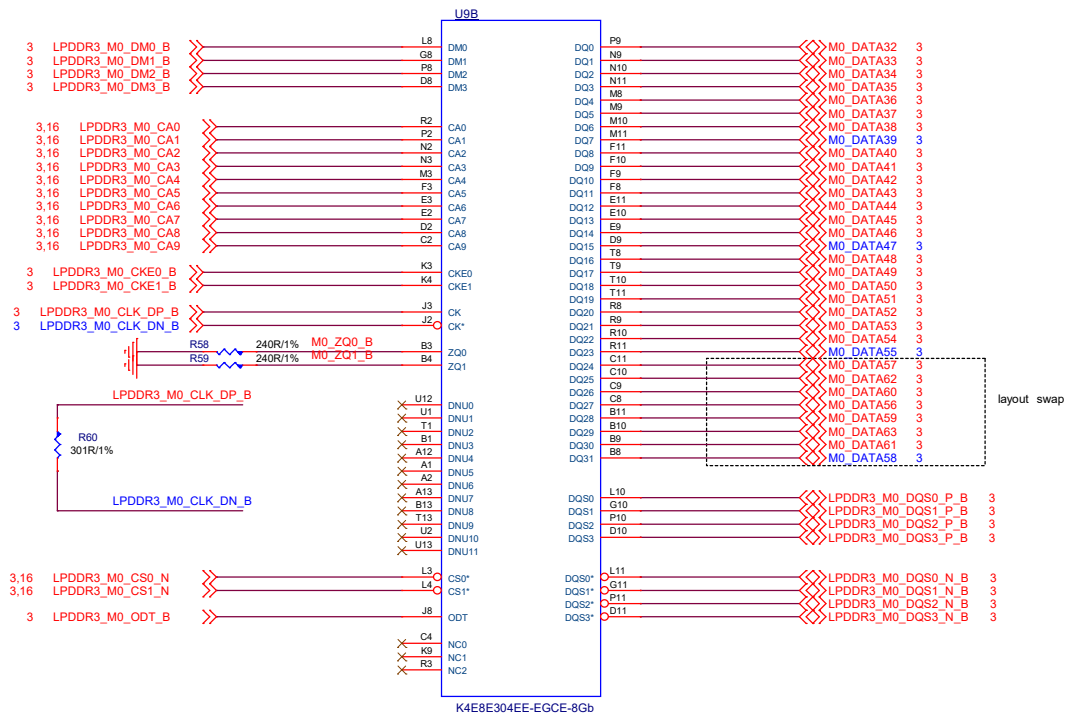


Size	Title	ROCK_PI_X	Rev
A4	Document Number	USB_CN	V1.3
Date:	Friday, August 14, 2020	Sheet	15 of 27



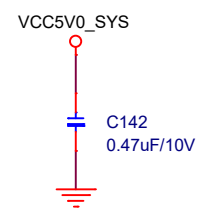
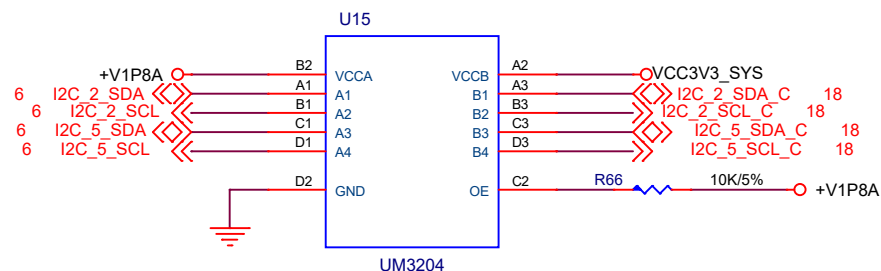
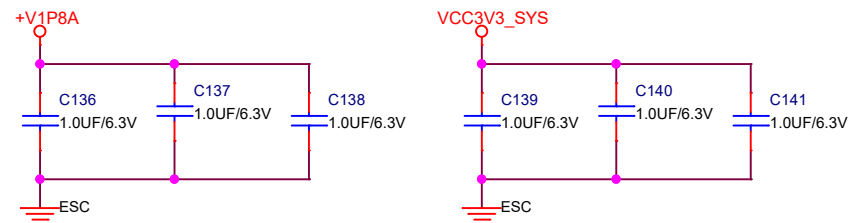
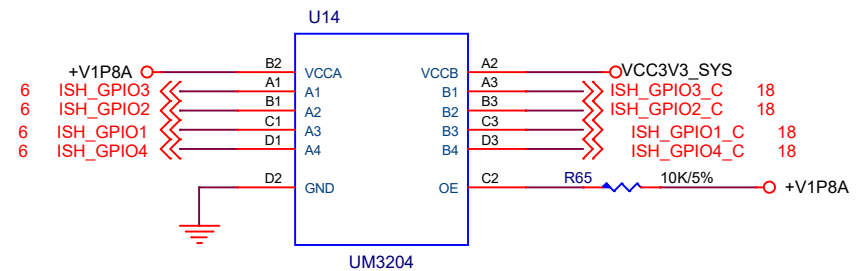
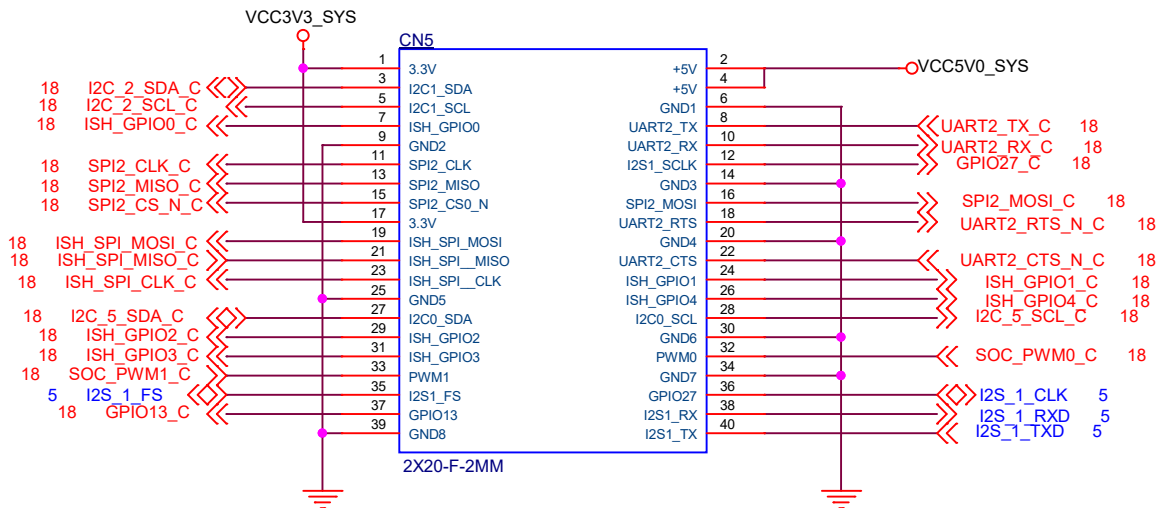
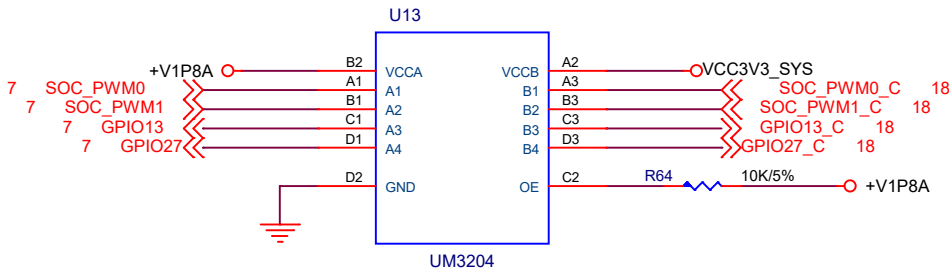
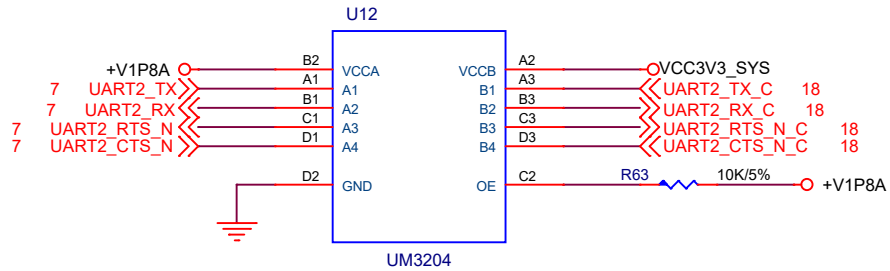
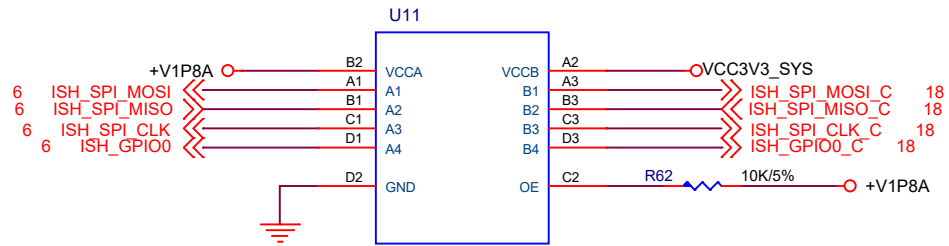
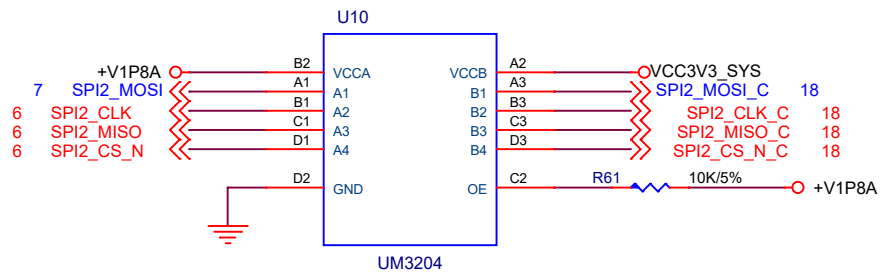


Size	Title	Rev
Custom	ROCK_PI_X	V1.3
	Document Number	MEMORY DEVICE 0 & 1
Date:	Friday, August 14, 2020	Sheet 16 of 27



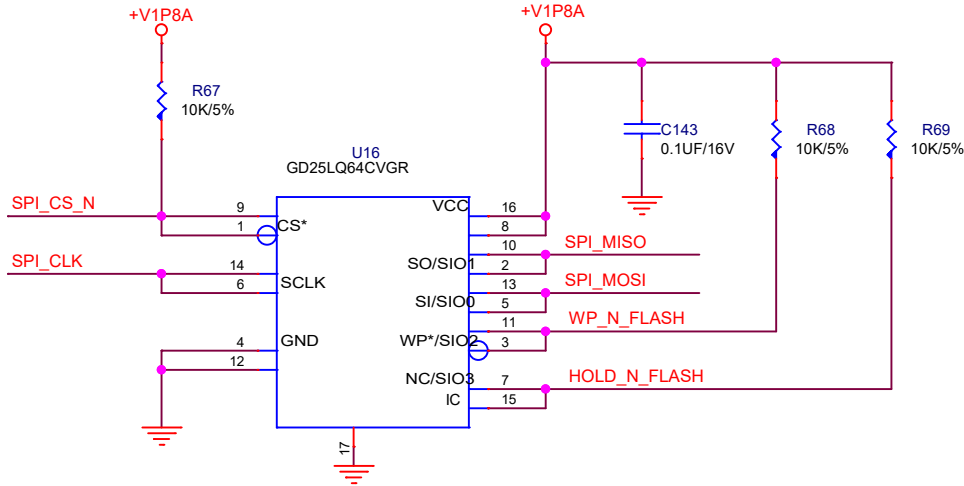
ROCKPI

Size	Title	ROCK_PI_X	Rev
Custom	Document Number	MEMORY DEVICE 2 & 3	V1.3
Date:	Friday, August 14, 2020	Sheet	17 of 27

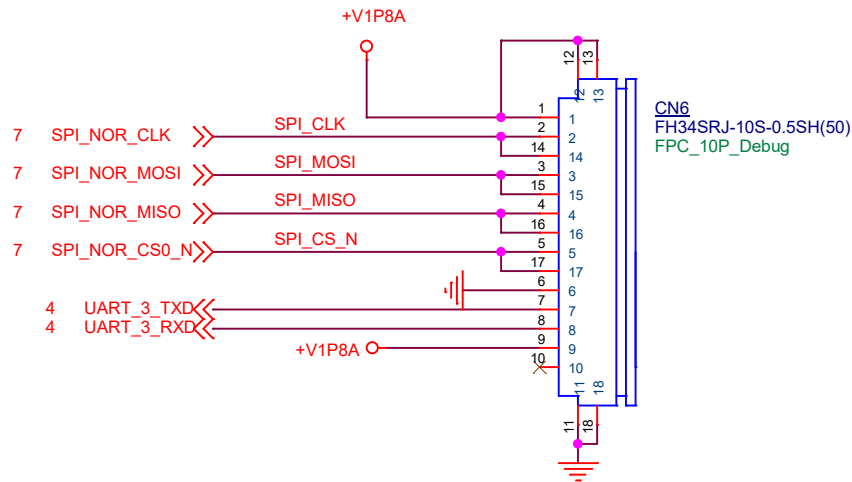


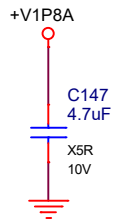
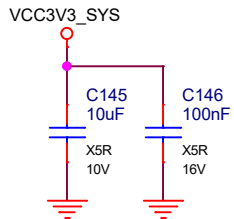
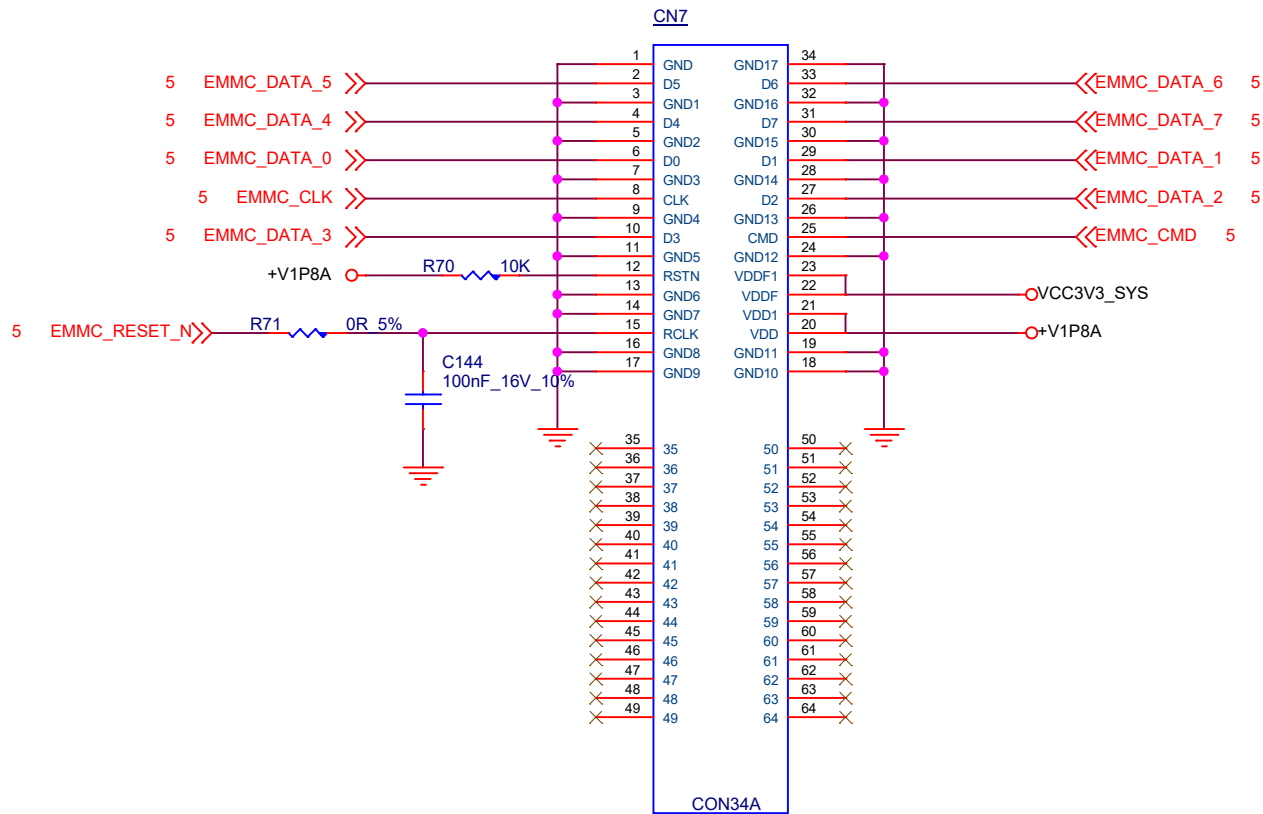
Size		Title	ROCK_PI_X	Rev
A4		Document Number	CONNECT	V1.3
Date:	Friday, August 14, 2020	Sheet	18 of 27	

SPI NOR FLASH

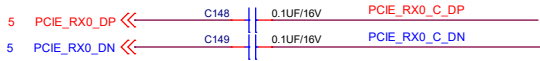


DEBUG CNN

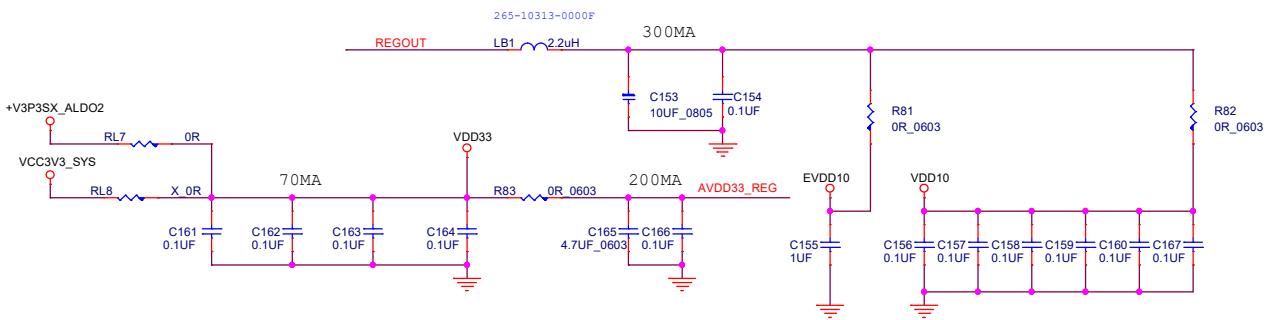
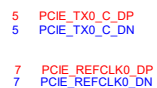
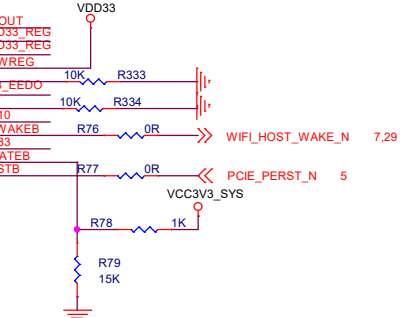
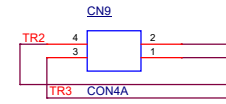
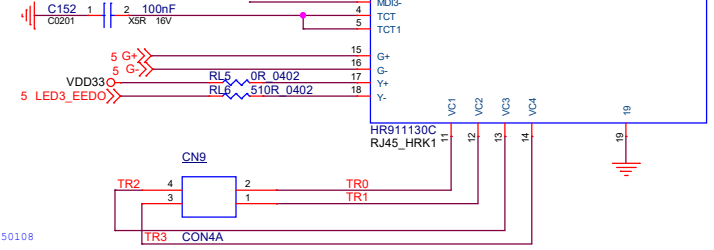
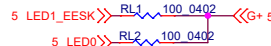
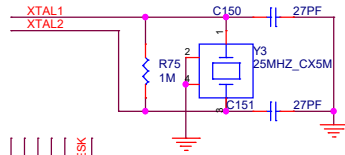
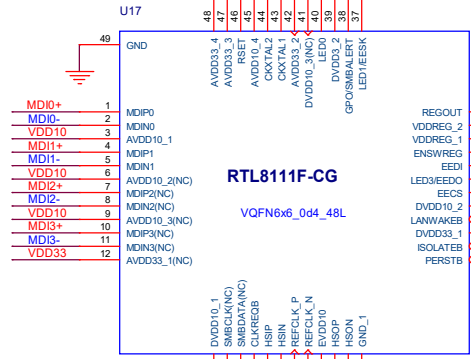




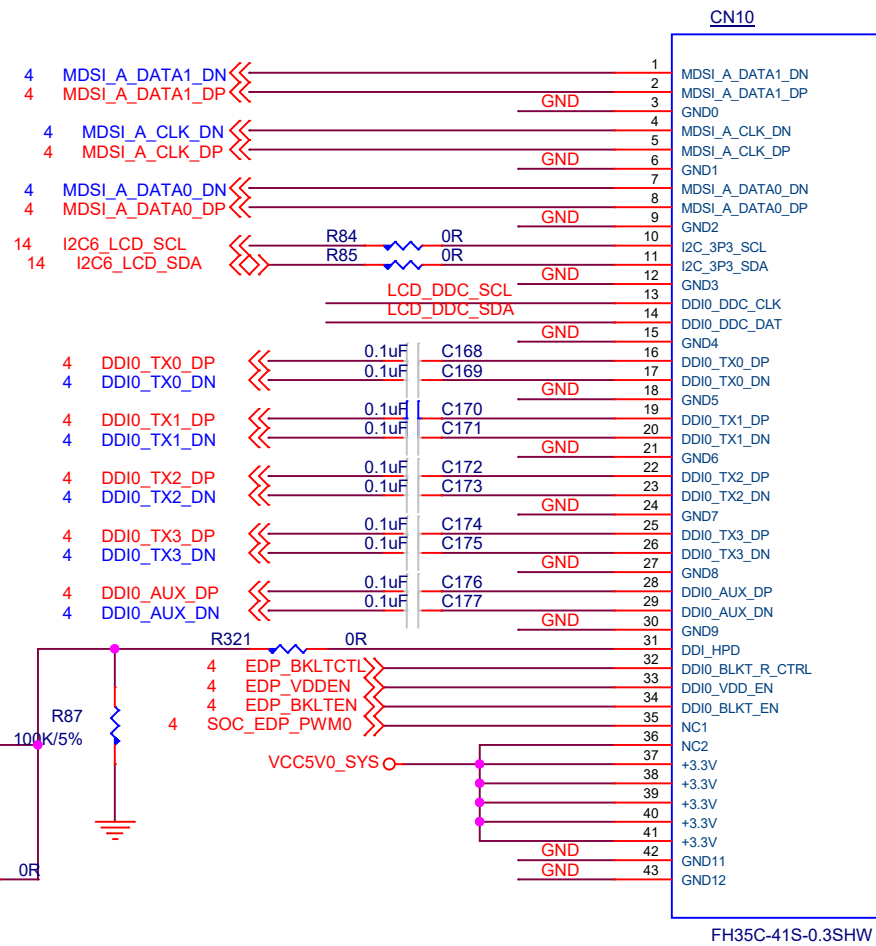
PLACE THESE CAPS CLOSE TO STP1216



R15 value should be 2.49K (1%) for all application.

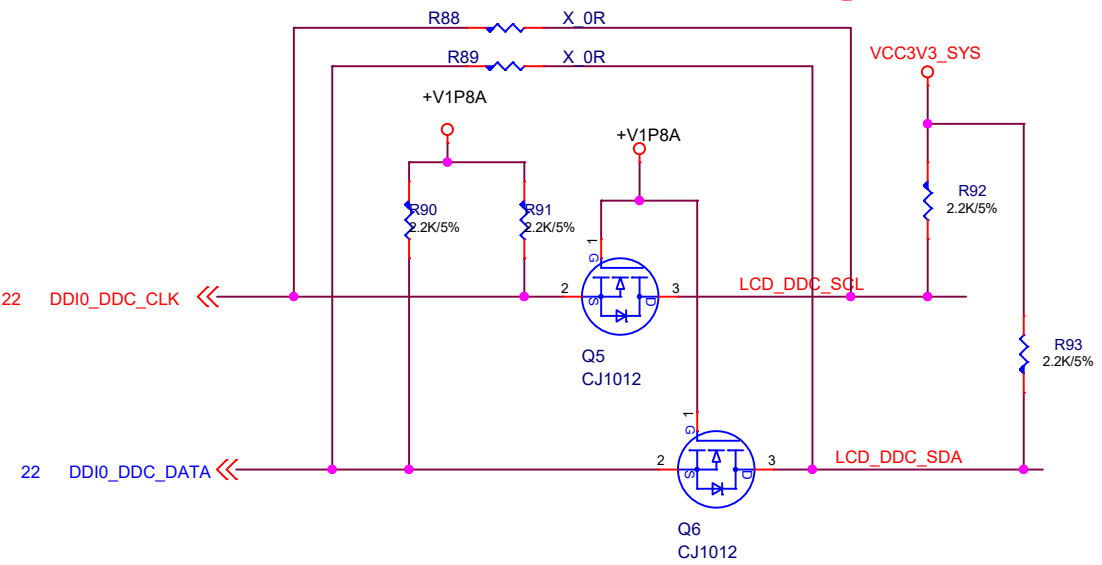
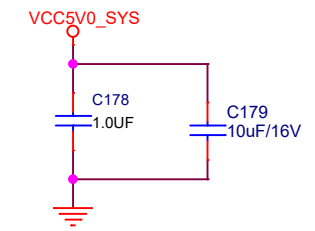
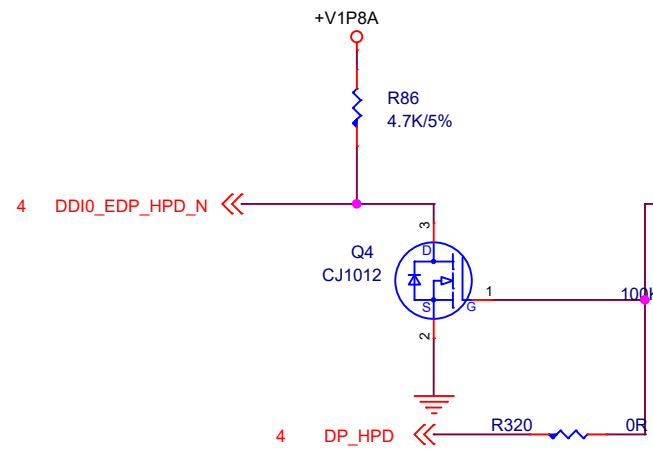


Size	Title	ROCK_PI_X	Rev
Custom	Document Number	GbE LAN	V1.3
Date:	Friday, August 14, 2020	Sheet	21 of 27

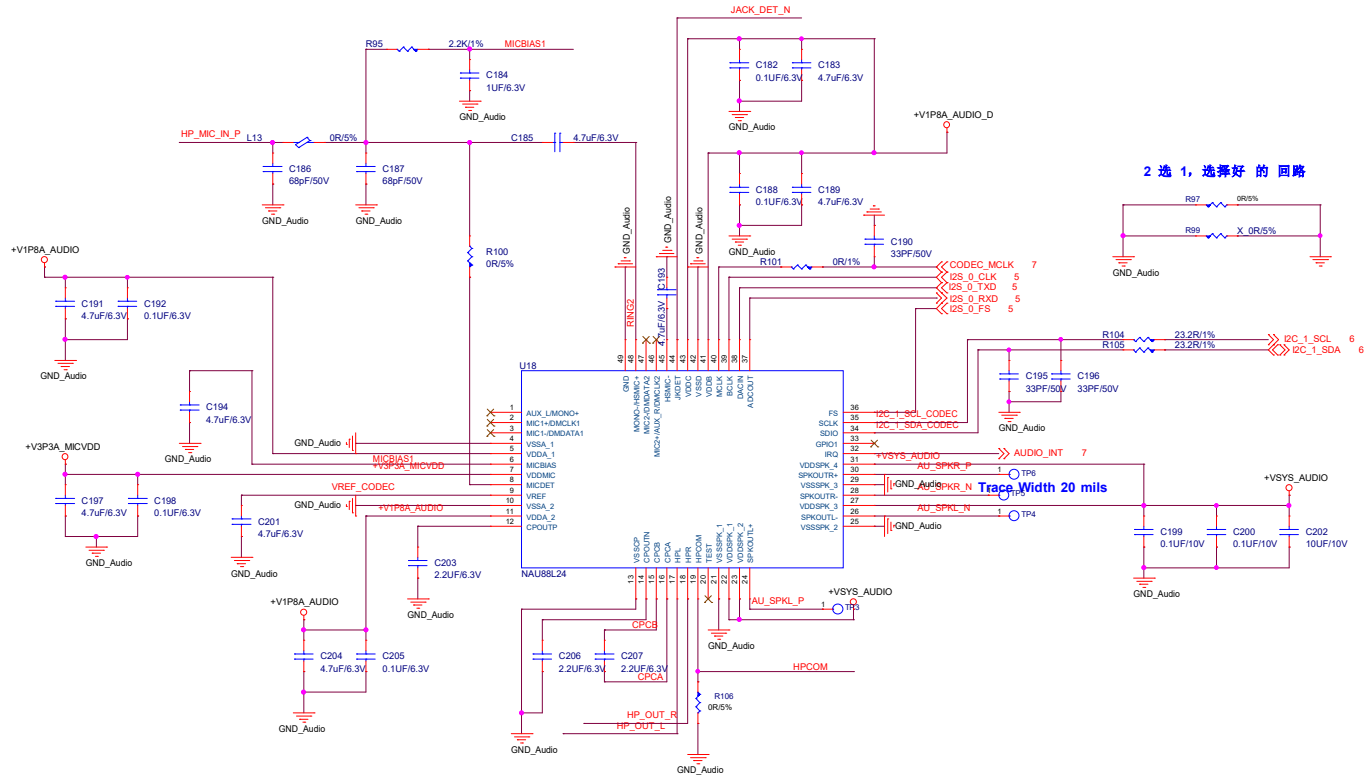


CN10

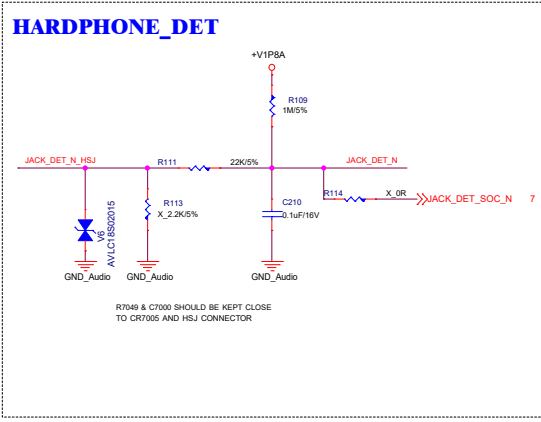
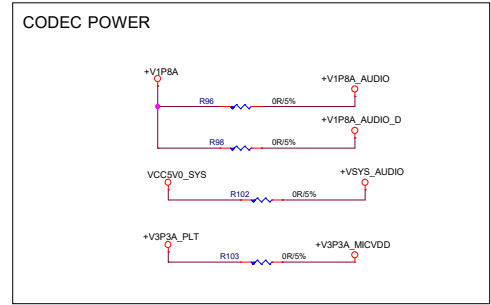
FH35C-41S-0.3SHW



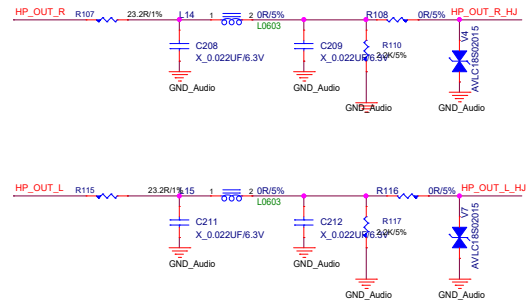
Size	Title	ROCK_PI_X	Rev
A4	Document Number	LCD CONN	V1.3
Date: Friday, August 14, 2020		Sheet 22 of 27	



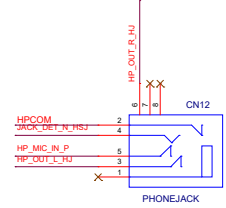
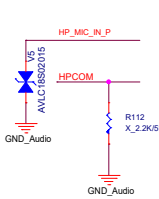
2 选 1, 选择好的回路

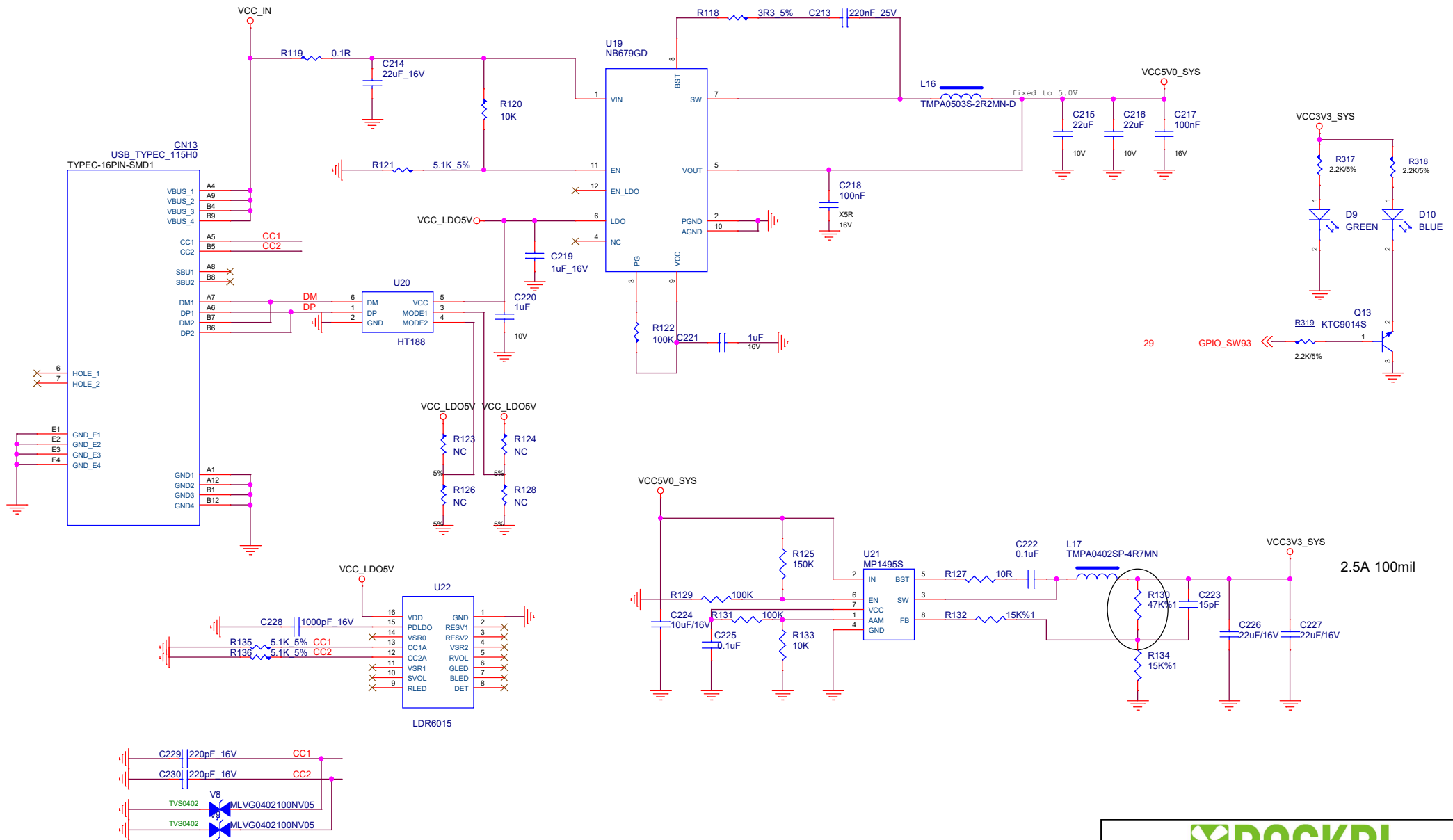


HARDPHONE

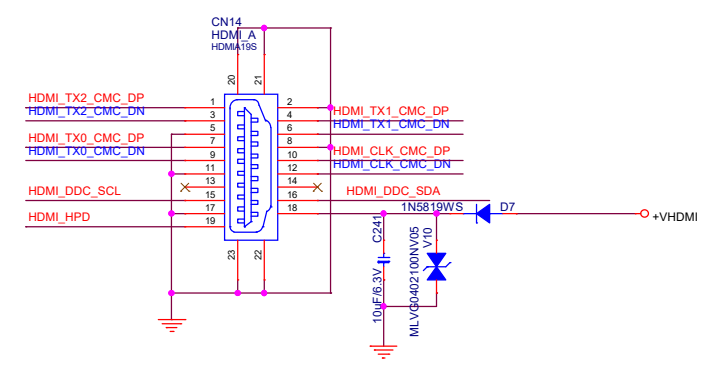
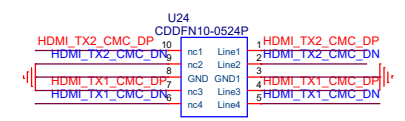
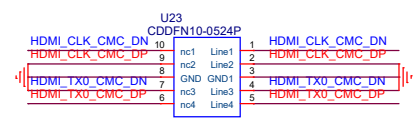
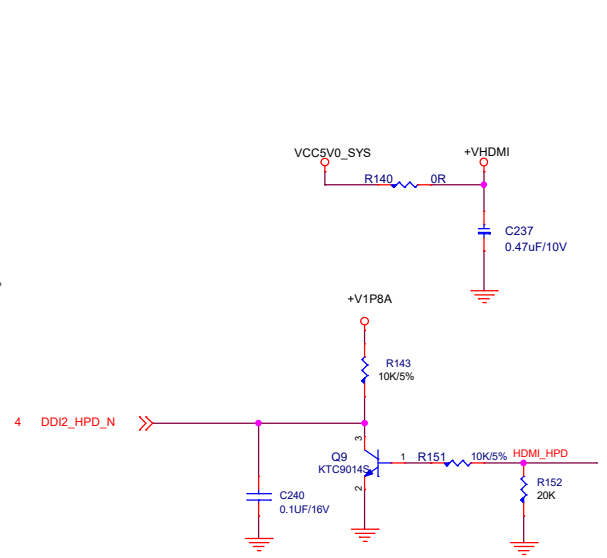
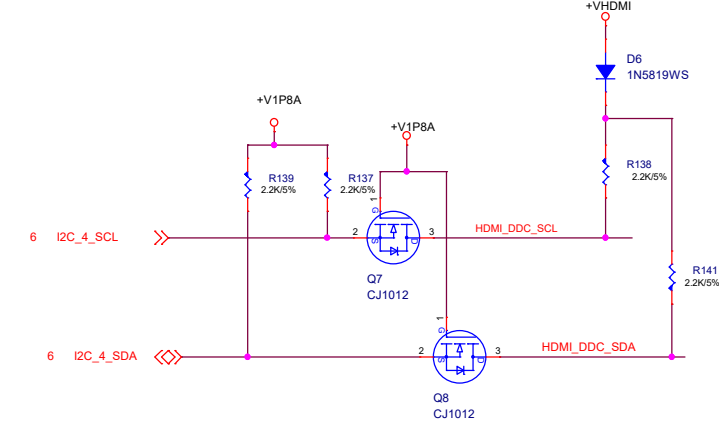
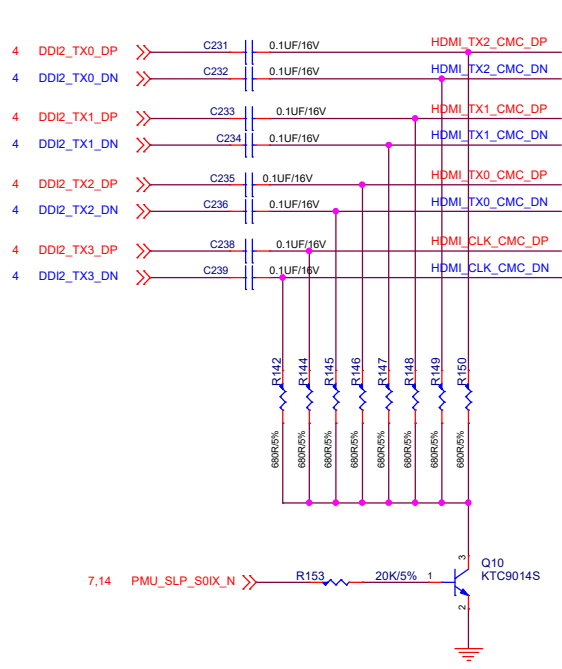


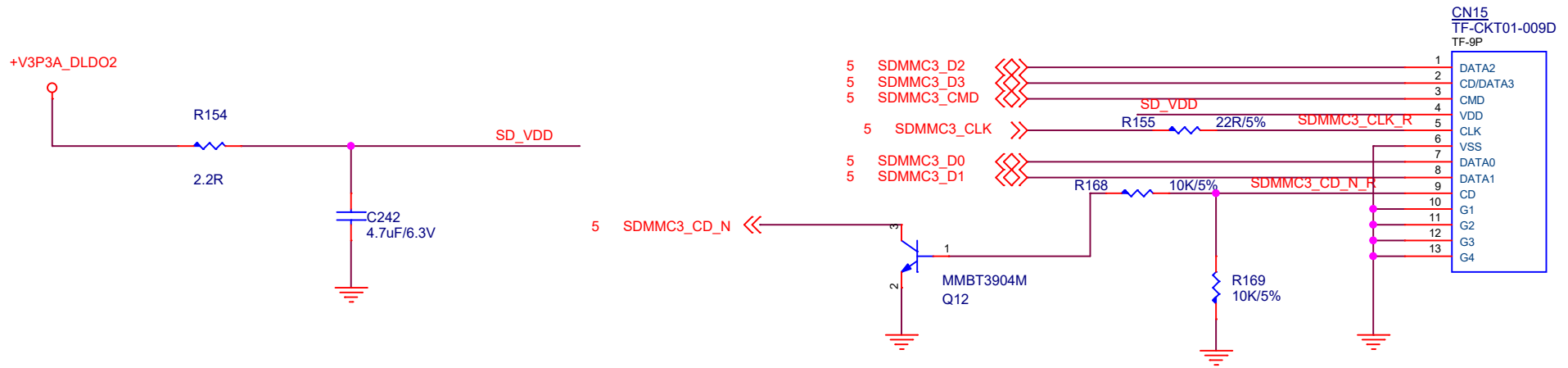
iPhone Type L+R+G+M



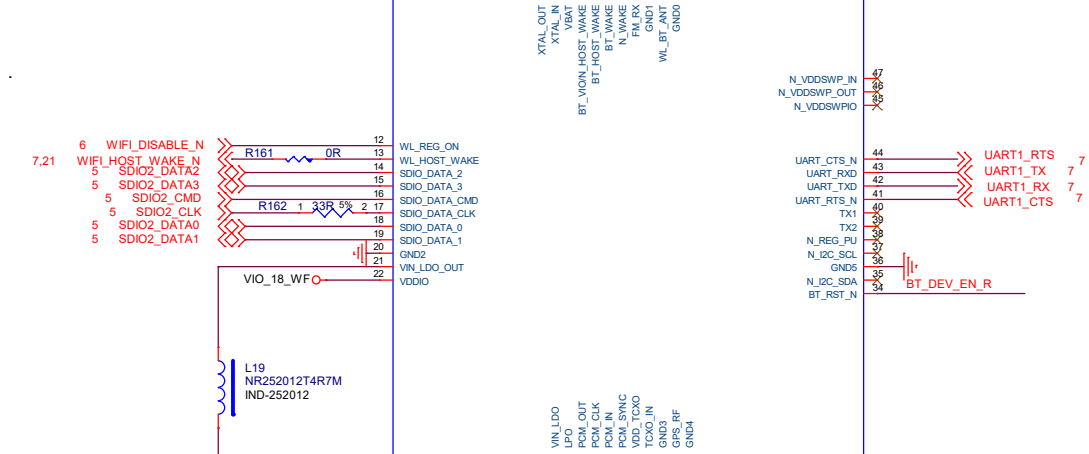
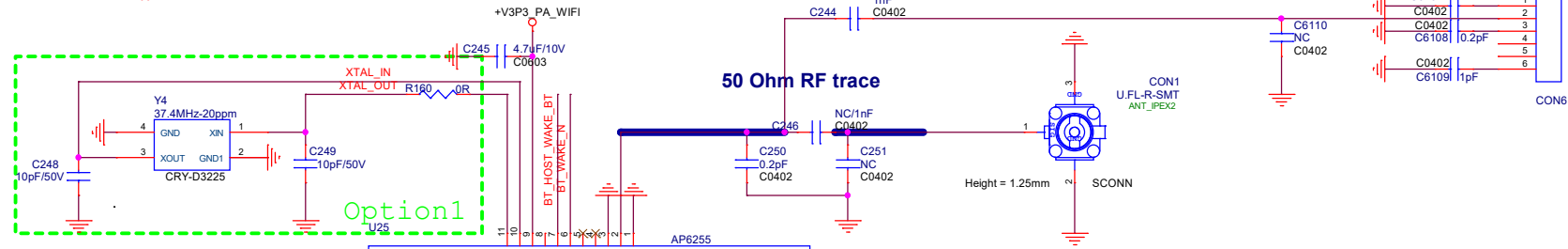


Size	Title	ROCK_PI_X
B	Document Number	DC_IN
Date: Friday, August 14, 2020	Sheet	24 of 27
	Rev	V1.3

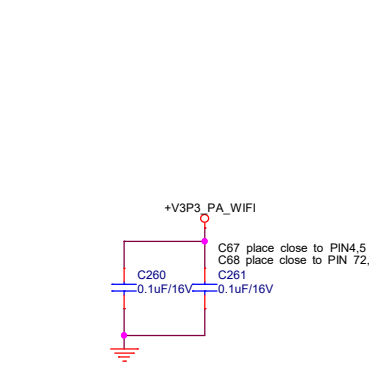
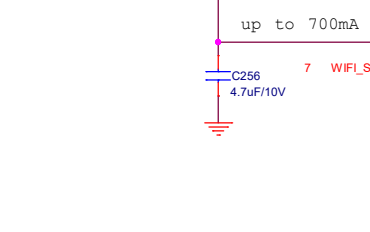
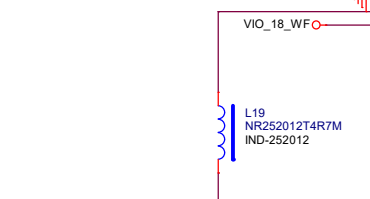




- 7 BT_DEV_EN >>> R157 0R BT_DEV_EN_R
- 7 HOST_WAKE_BT <<< R158 0R BT_WAKE_N
- 5 PCIE_CLKREQ0_N >>> R159 NC BT_HOST_WAKE_BT

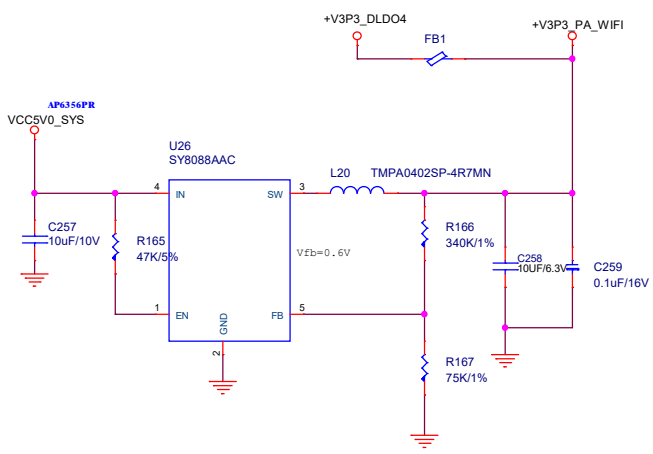
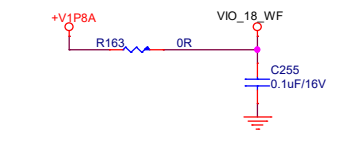


- 6 WIFI_DISABLE_N >>> R161 0R
- 7.21 WIFI_HOST_WAKE_N >>> R162 1 33R 5% 2 17
- 5 SDIO2_DATA2 >>> R162 1 33R 5% 2 17
- 5 SDIO2_DATA3 >>> R162 1 33R 5% 2 17
- 5 SDIO2_CMD >>> R162 1 33R 5% 2 17
- 5 SDIO2_CLK >>> R162 1 33R 5% 2 17
- 5 SDIO2_DATA0 >>> R162 1 33R 5% 2 17
- 5 SDIO2_DATA1 >>> R162 1 33R 5% 2 17



WIFI_VDD

C67 place close to PIN4.5
 C68 place close to PIN 72.73



Size	Title
A3	ROCK_PI_X
Date:	Document Number
Friday, August 14, 2020	WIFI-BT
Sheet	Rev
27	V1.3
of 27	