



Radxa ZERO 2 Pro schematic

V1.2

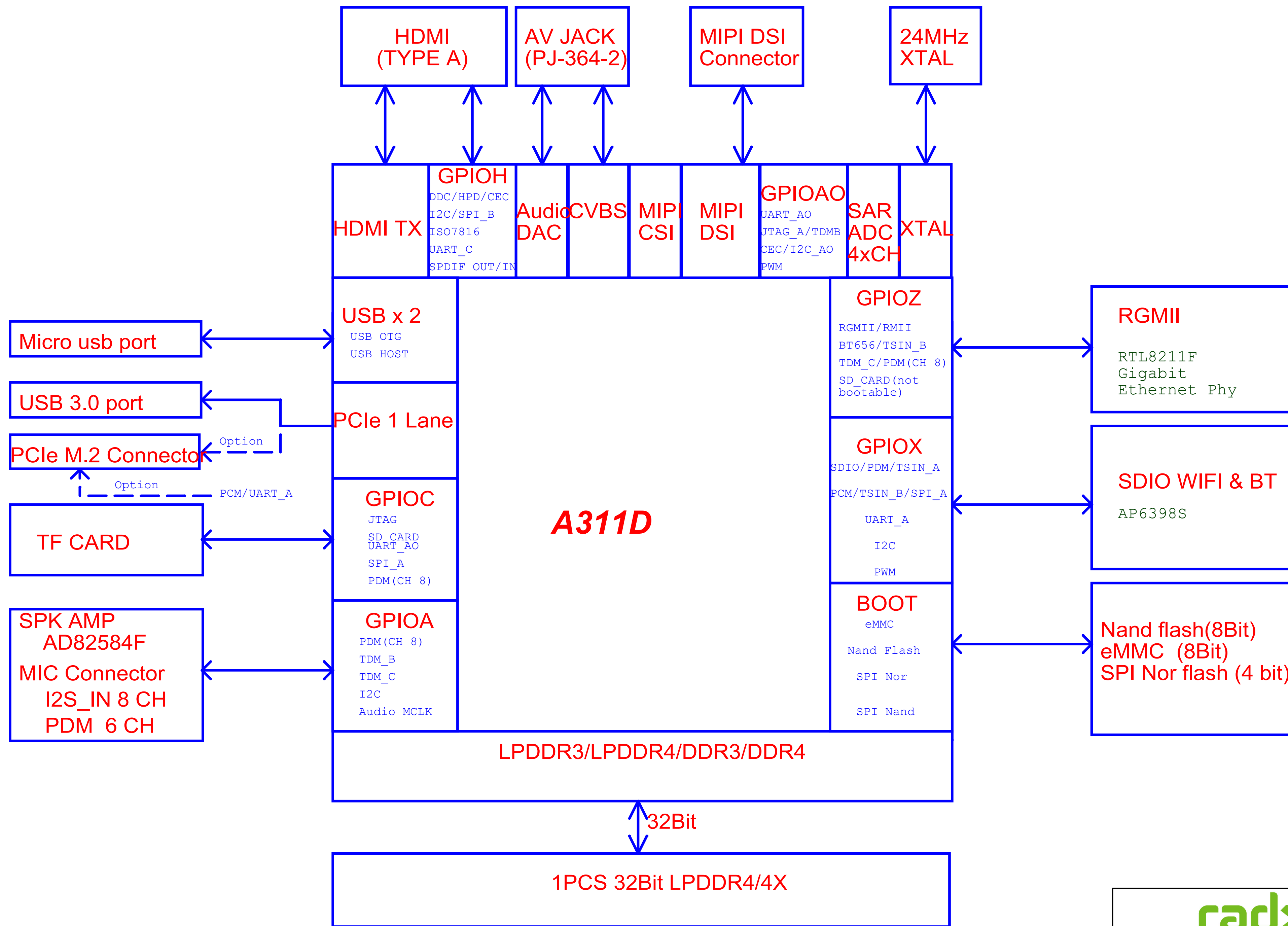


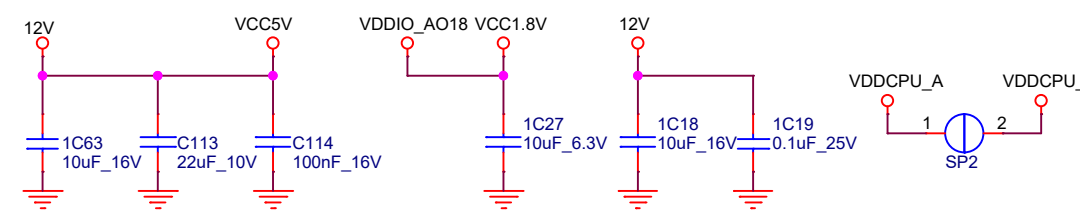
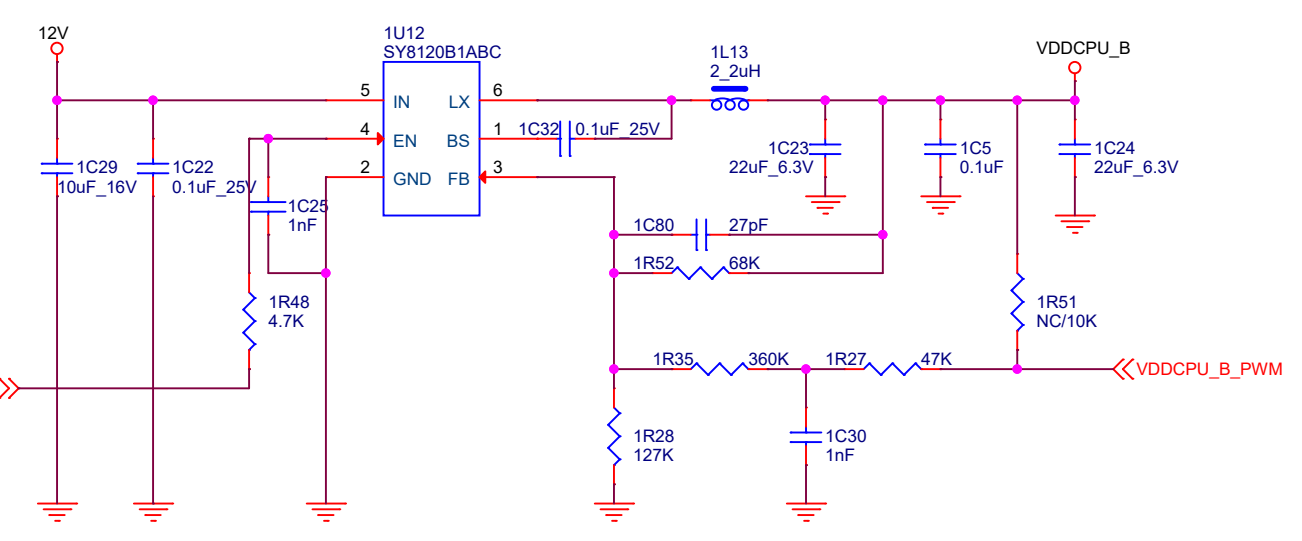
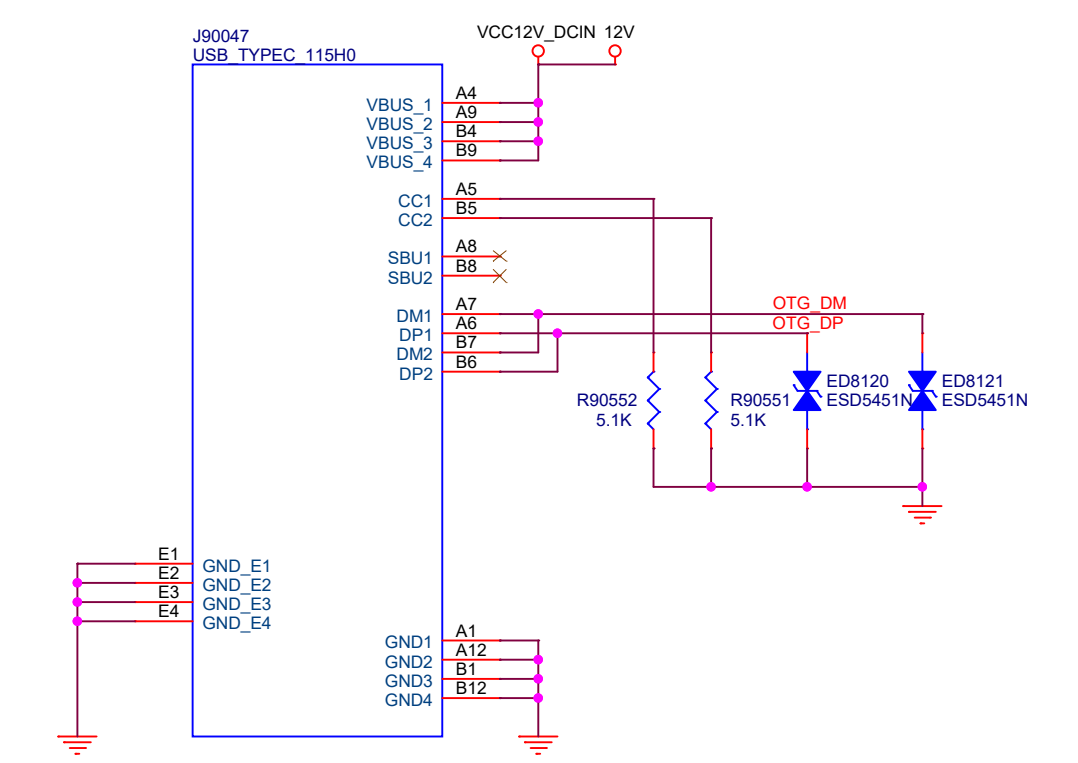
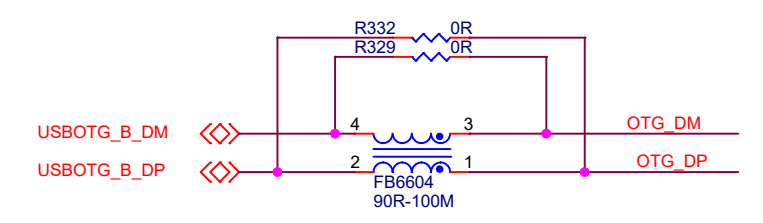
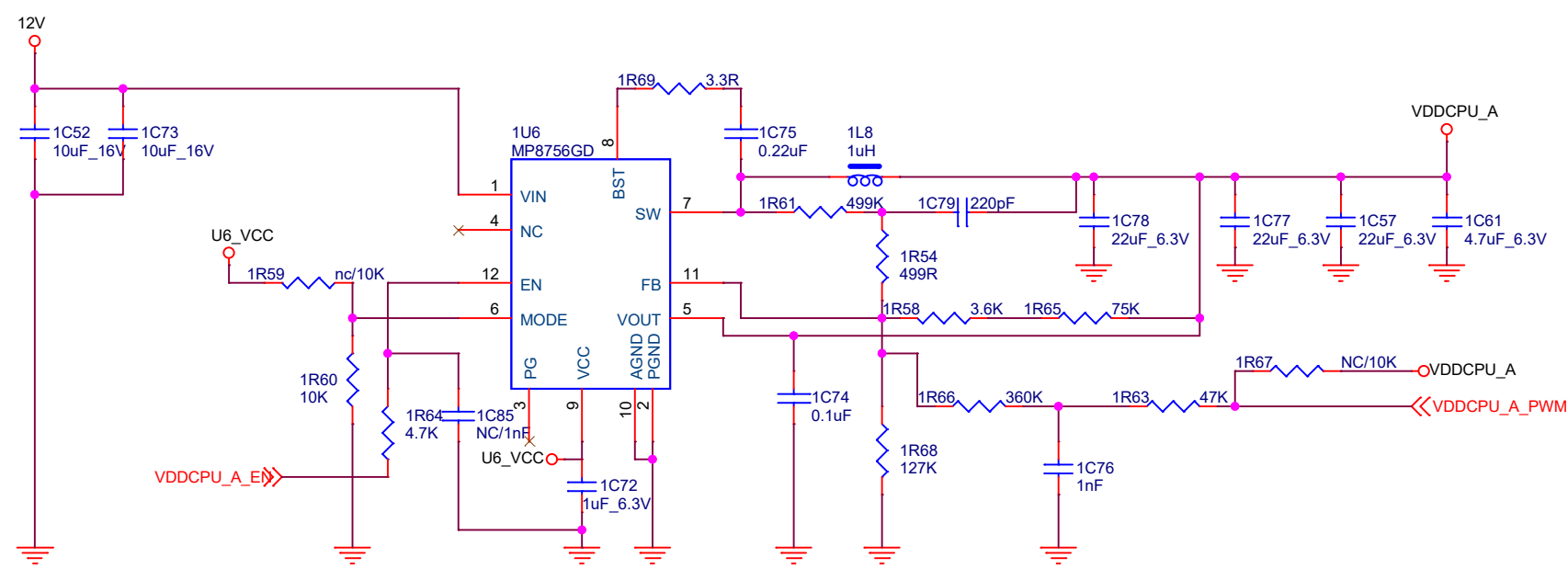
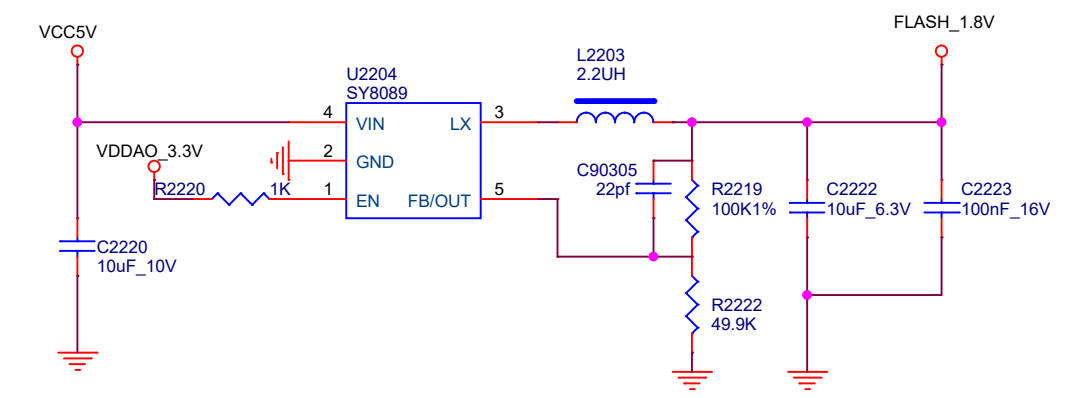
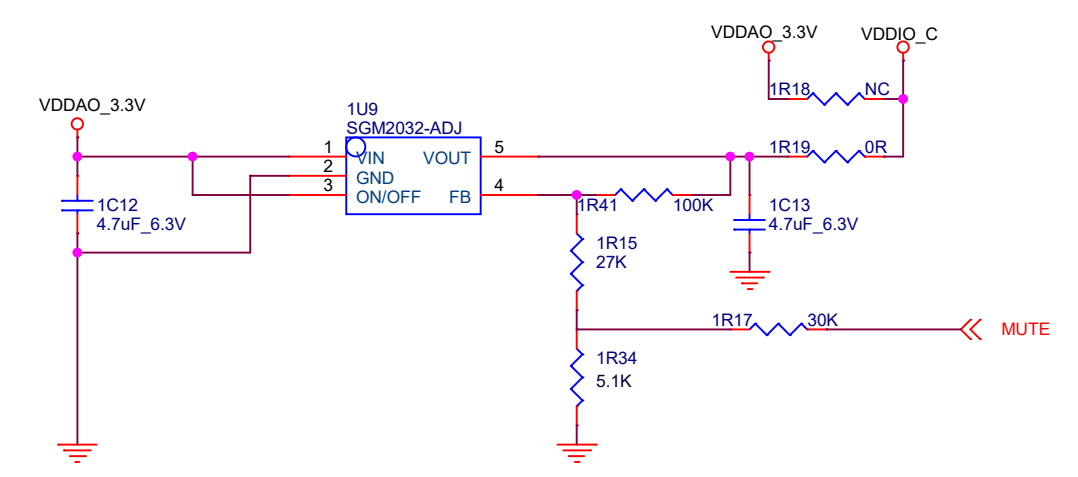
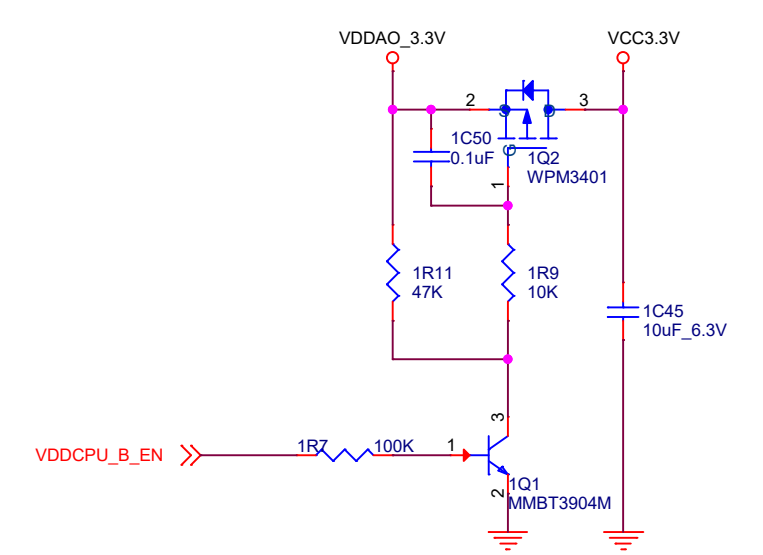
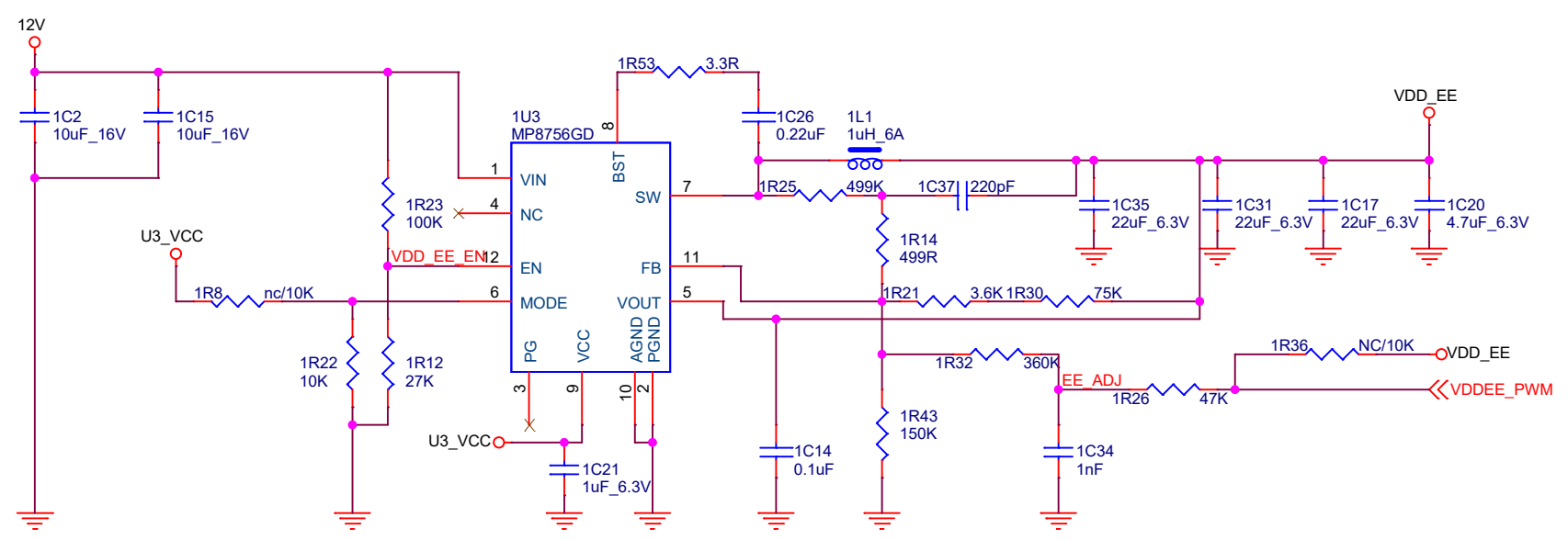
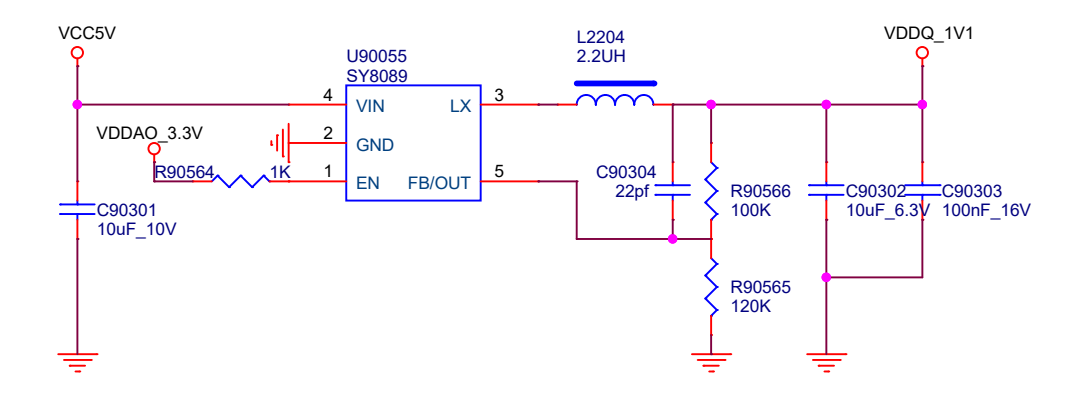
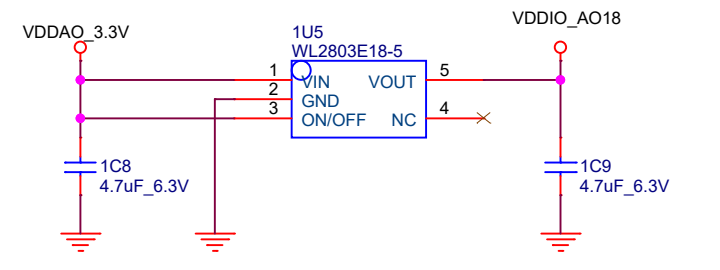
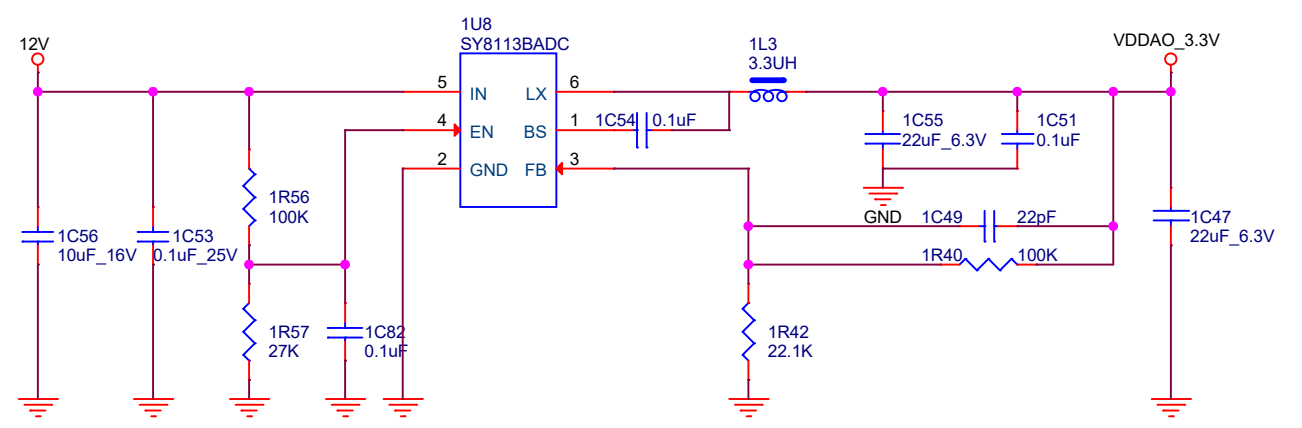
Index

Page 1	01.Cover
Page 2	02.Index
Page 3	03.Block
Page 4	04.Power
Page 5	05.Ethernet/Audio
Page 6	06.Audio
Page 7	07.Flash
Page 8	08.USB & PCIe
Page 9	09.CPU I/O
Page 10	10.LPDDR4
Page 11	11.HDMI & CVBS
Page 12	12.SDIO WIFI
Page 13	13.Panel/CAM/40PIN



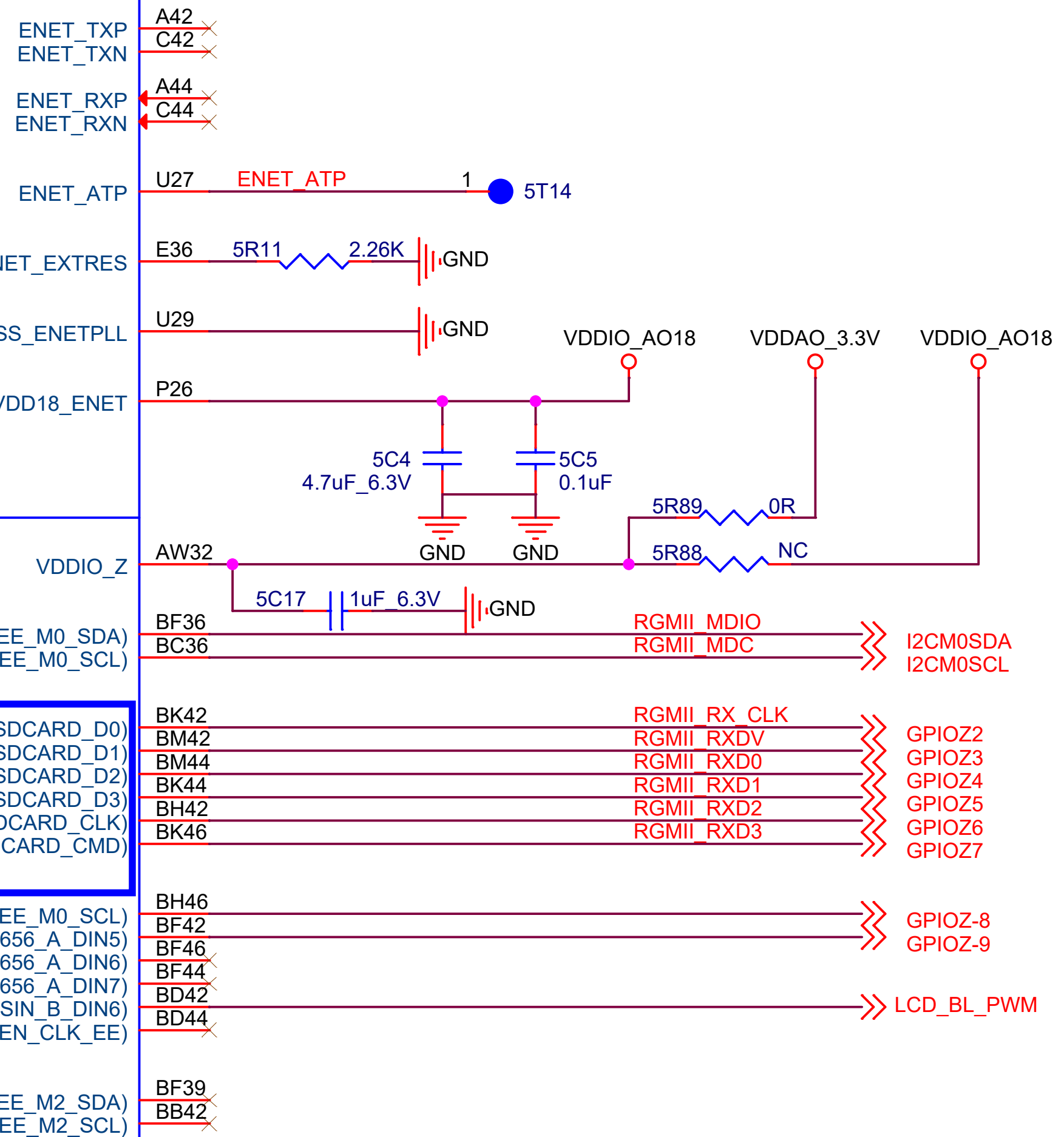
Size	Title: Radxa ZERO 2 Pro	REV
A4	Page Name: 02.Index	1.2
Date: Friday, May 17, 2024	Sheet 2 of 13	





U1G
A311D

LIB VER:2018-04-27



GPIOZ_2(ETH_RGMII_RX_CLK//TSIN_B_VALID//TDMC_D0//TDMC_DIN0//PDM_DIN0//SDCARD_D0)
 GPIOZ_3(ETH_RX_DV//TSIN_B_SOP//BT656_A_CLK//TDMC_D1//TDMC_DIN1//PDM_DIN1//SDCARD_D1)
 GPIOZ_4(ETH_RXD0//TSIN_B_DIN0//BT656_A_DIN0//TDMC_D2//TDMC_DIN2//PDM_DIN2//SDCARD_D2)
 GPIOZ_5(ETH_RXD1//TSIN_B_CLK//BT656_A_DIN1//TDMC_D3//TDMC_DIN3//PDM_DIN3//SDCARD_D3)
 GPIOZ_6(ETH_RXD2_RGMII//TSIN_B_FAIL//BT656_A_DIN2//TDMC_FS//TDMC_SLV_FS//PDM_DCLK//SDCARD_CLK)
 GPIOZ_7(ETH_RXD3_RGMII//TSIN_B_DIN1//BT656_A_DIN3//TDMC_SCLK//TDMC_SLV_SCLK//I2C_EE_M0_SDA//SDCARD_CMD)

CARD port on GPIOZ is not bootable

GPIOZ_8(ETH_RGMII_TX_CLK//TSIN_B_DIN2//BT656_A_DIN4//MCLK_1//I2C_EE_M0_SCL)
 GPIOZ_9(ETH_TXEN//TSIN_B_DIN3//BT656_A_DIN5)
 GPIOZ_10(ETH_TXD0//TSIN_B_DIN4//BT656_A_DIN6)
 GPIOZ_11(ETH_TXD1//TSIN_B_DIN5//BT656_A_DIN7)
 GPIOZ_12(ETH_TXD2_RGMII//TSIN_B_DIN6)
 GPIOZ_13(ETH_TXD3_RGMII//TSIN_B_DIN7//GEN_CLK_EE)

GPIOZ_14 (OD3.3V) (ETH_LINK_LED//I2C_EE_M2_SDA)
 GPIOZ_15 (OD3.3V) (ETH_ACT_LED//I2C_EE_M2_SCL)



Size	Title: Radxa ZERO 2 Pro	REV
A4	Page Name: 05.Ethernet/Audio	1.2
Date: Friday, May 17, 2024	Sheet 5 of 13	

U11
A311D

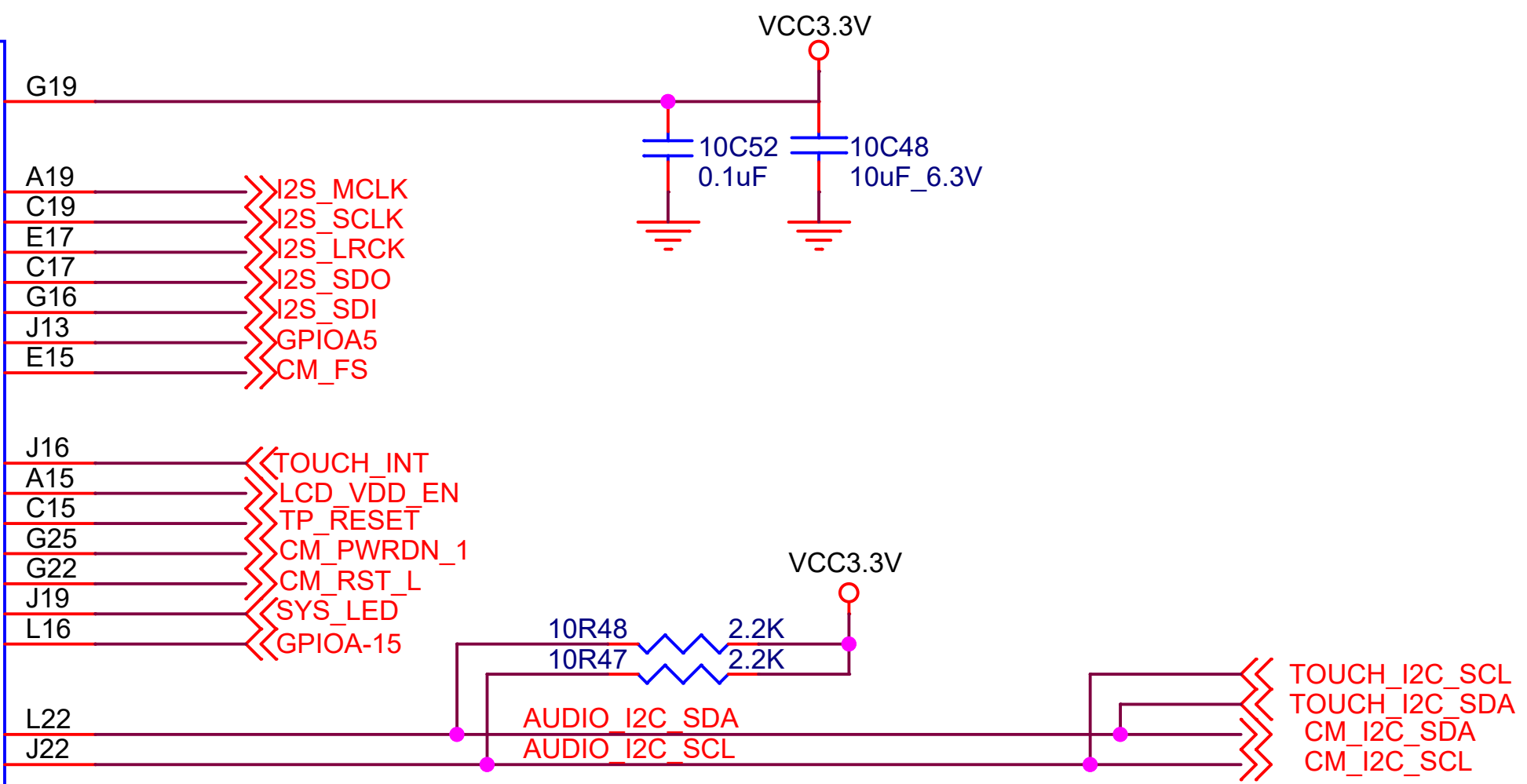
LIB VER:2018-03-15
Preliminary Symbol

VDDIO_A

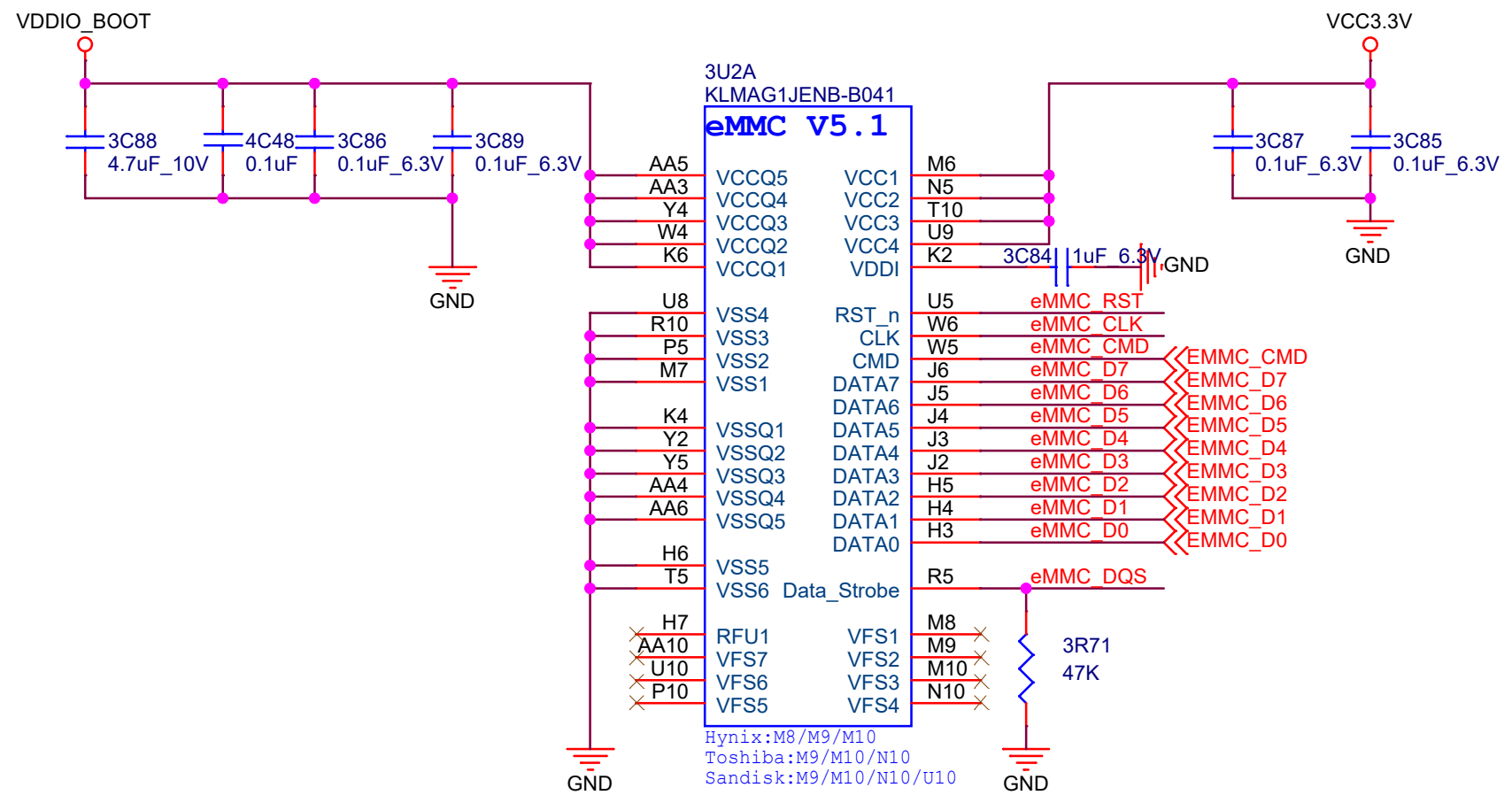
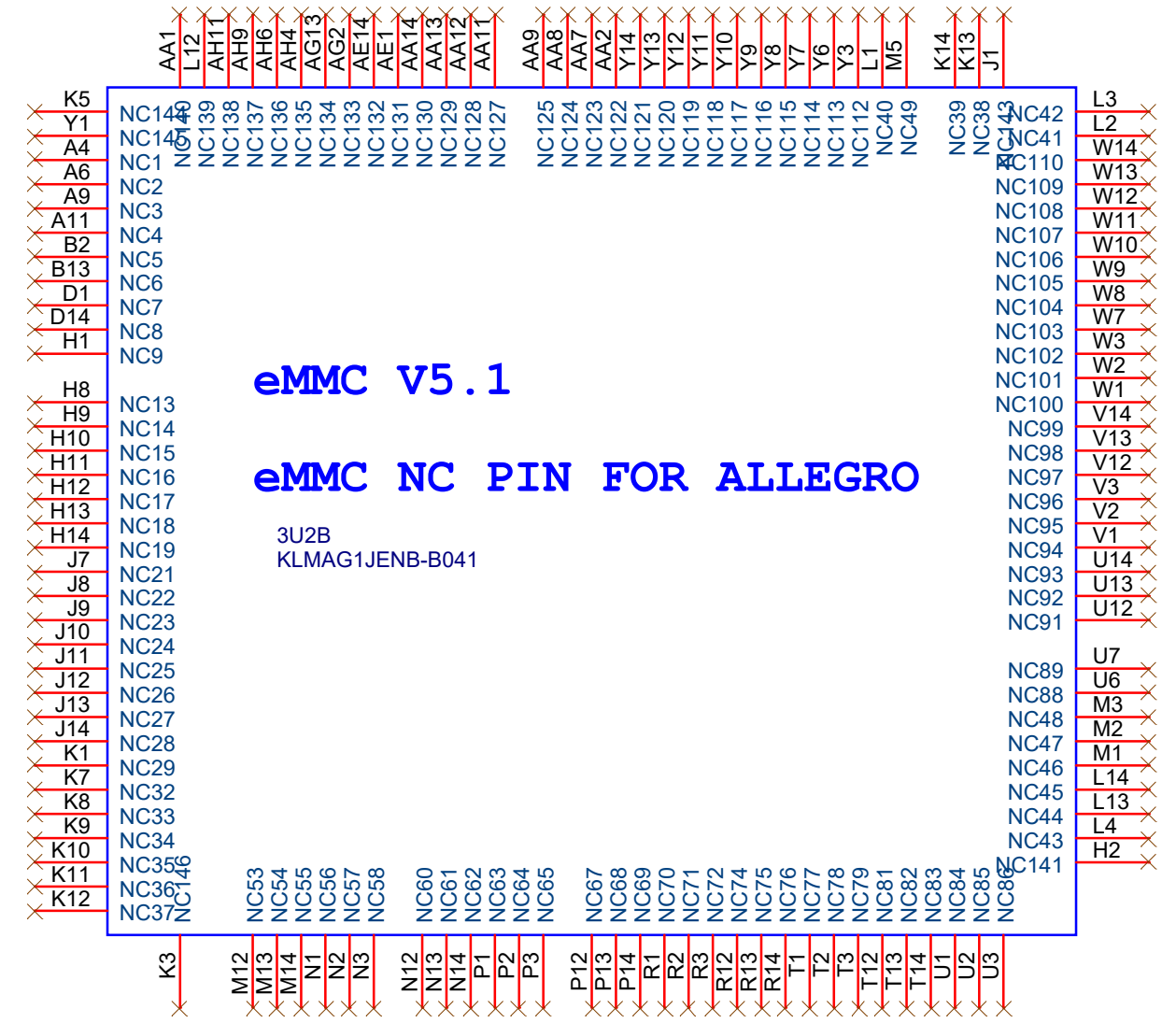
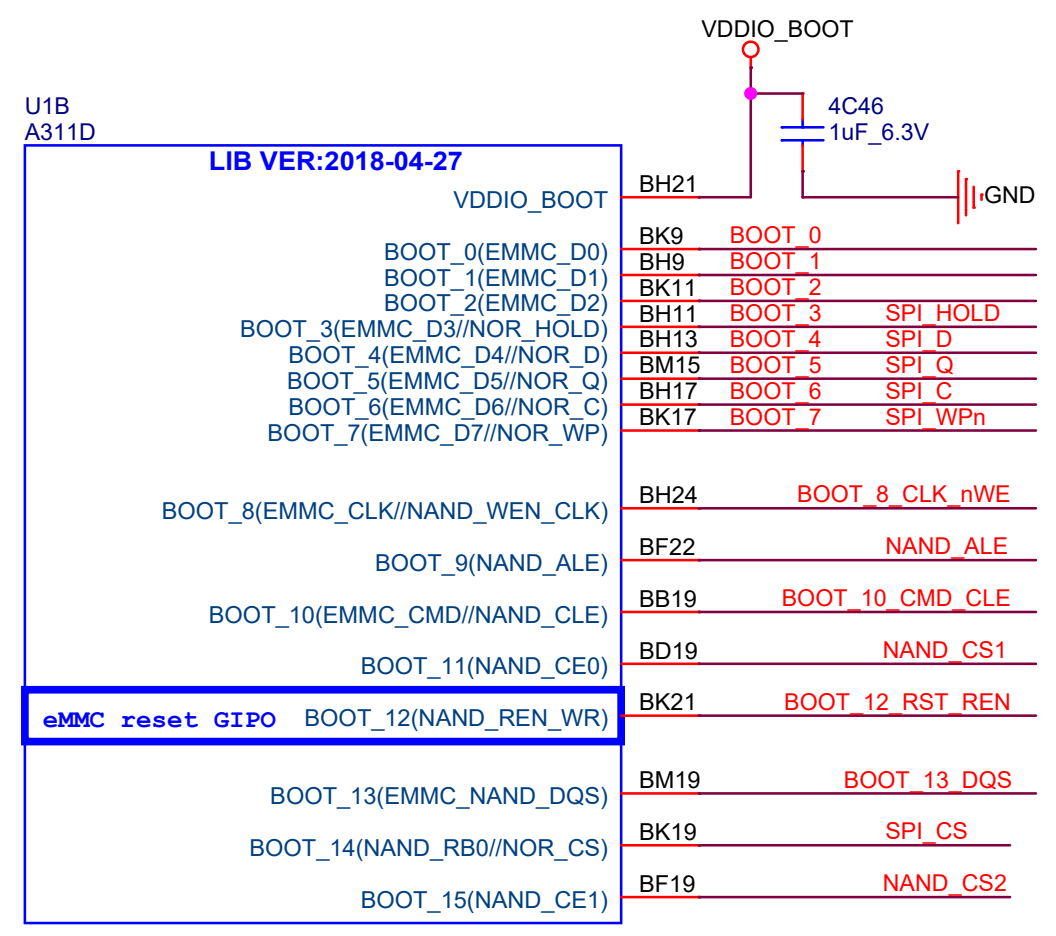
GPIOA_0(MCLK_0)
GPIOA_1(TDMB_SCLK//TDMB_SLV_SCLK)
GPIOA_2(TDMB_FS//TDMB_SLV_FS)
GPIOA_3(TDMB_D0//TDMB_DIN0)
GPIOA_4(TDMB_D1//TDMB_DIN1)
GPIOA_5(TDMB_D2//TDMB_DIN2//PDM_DIN3)
GPIOA_6(TDMB_D3//TDMB_DIN3//PDM_DIN2)

GPIOA_7(TDMC_D3//TDMC_DIN3//PDM_DCLK)
GPIOA_8(TDMC_D2//TDMC_DIN2//PDM_DIN0)
GPIOA_9(TDMC_D1//TDMC_DIN1//PDM_DIN1)
GPIOA_10(TDMC_D0//TDMC_DIN0//SPDIF_IN)
GPIOA_11(MCLK_1//SPDIF_OUT)
GPIOA_12(TDMC_SCLK//TDMC_SLV_SCLK//SPDIF_IN)
GPIOA_13(TDMC_FS//TDMC_SLV_FS//SPDIF_OUT)

GPIOA_14(WORLD_SYNC//I2C_EE_M3_SDA)
GPIOA_15(IR_REMOTE_IN//I2C_EE_M3_SCL)



Size	Title: Radxa ZERO 2 Pro	REV
A4	Page Name: 06.Audio	1.2
Date: Friday, May 17, 2024	Sheet 6 of 13	



EMMC_CLK	eMMC CLK	
EMMC_STRB	eMMC DQS	
iNAND_RST	NAND nRE	BOOT 12 RST REN
eMMC D0	NAND D0	BOOT 0
eMMC D4	NAND D4	BOOT 4
eMMC D5	NAND D5	BOOT 5
eMMC D6	NAND D6	BOOT 6
eMMC CMD	NAND CLE	BOOT 10 CMD CLE
eMMC D1	NAND D1	BOOT 1
eMMC D2	NAND D2	BOOT 2
eMMC D3	NAND D3	BOOT 3
eMMC D7	NAND D7	BOOT 7

