



Radxa ZERO 3W

schematic

V1.11

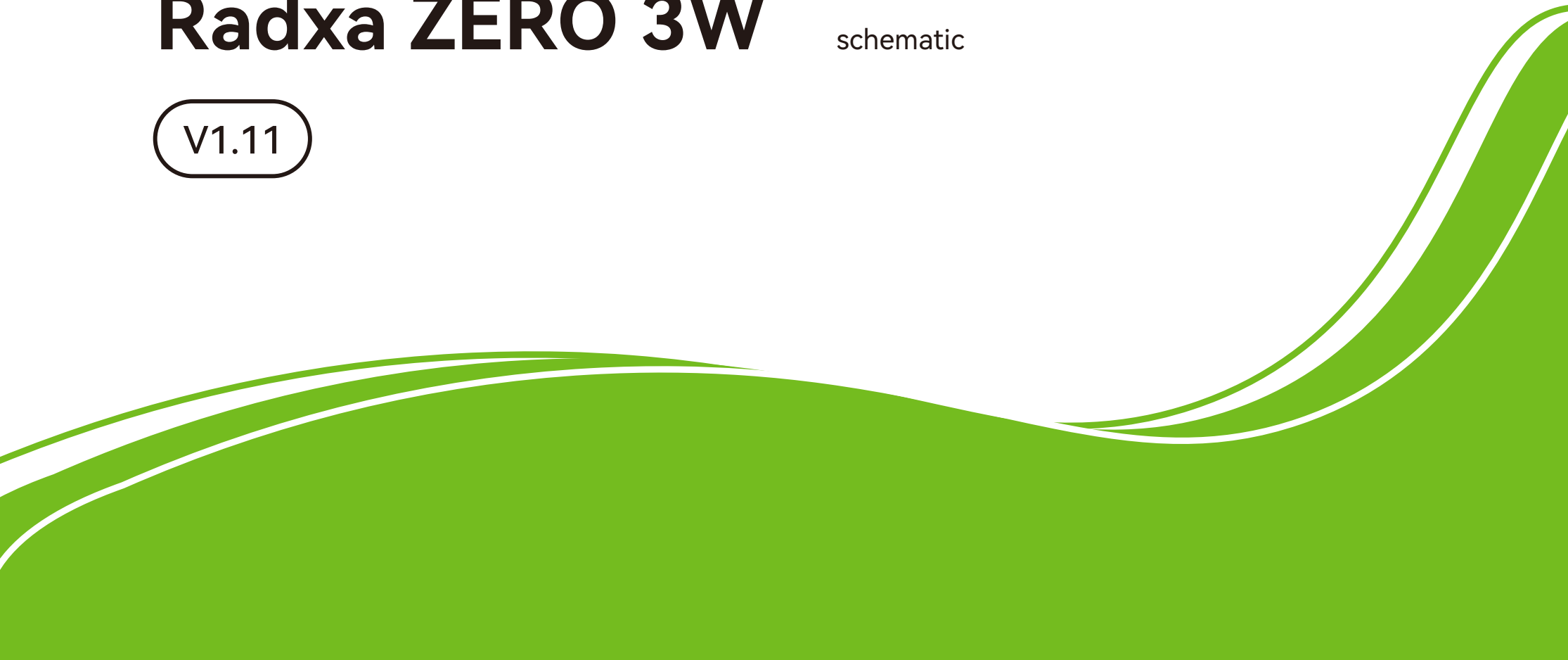


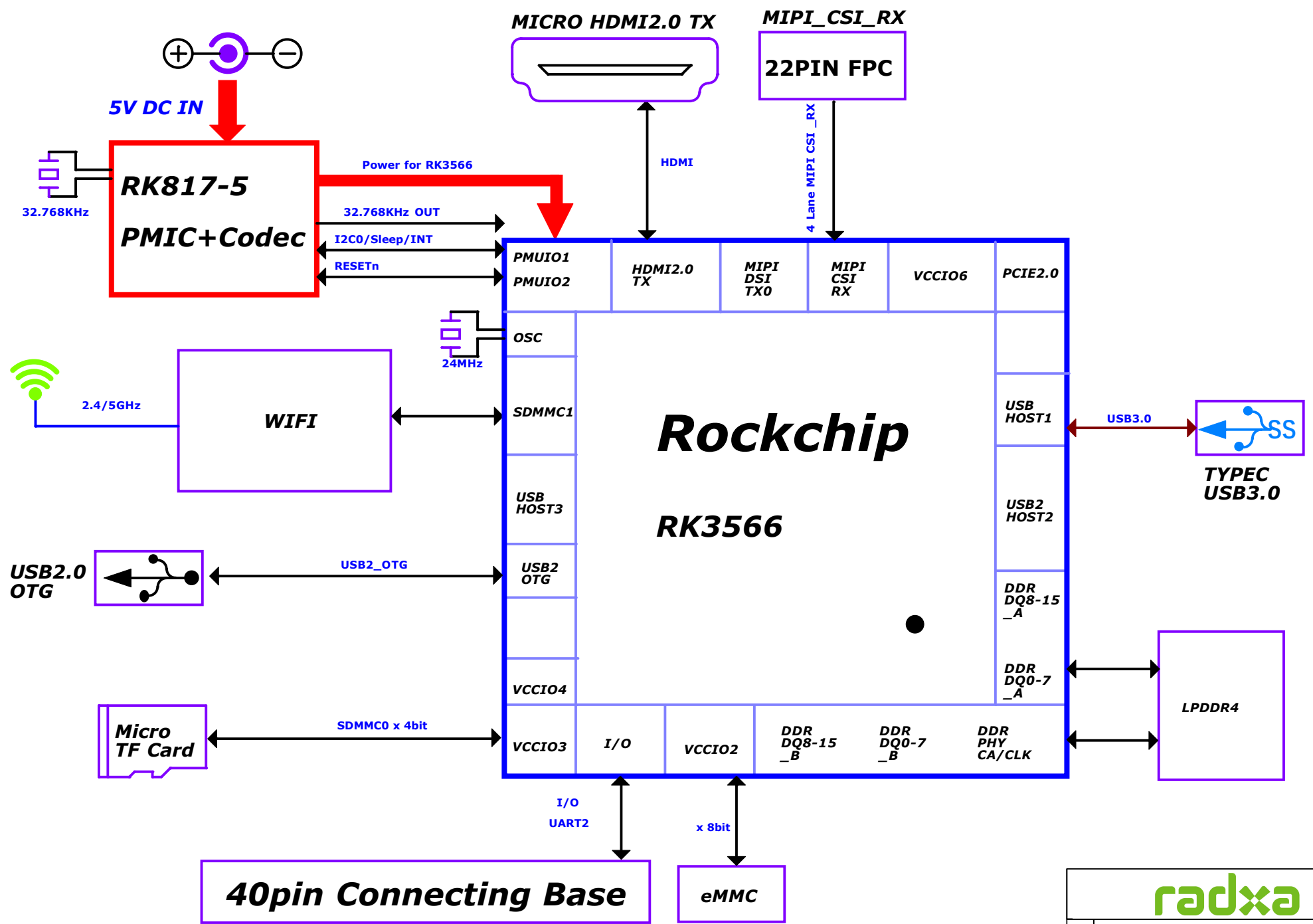
Table of Content

- 01.cover
- 02.Index
- 03.Block Diagram
- 04.RK3566_SARADC/GPIO
- 05.RK3566_USB/PCIe/SATA PHY
- 06.RK3566_OSC/PLL/PMUIO
- 07.RK3566_Power/GND
- 08.RK3566_DDR PHY
- 09.RK3566_VI Interface
- 10.RK3566_VO Interface_1
- 11.RK3566_VO Interface_2
- 12.RK3566_Audio Interface
- 13.RK3566_Flash/SD
- 14.LPDDR4_1X32bit
- 15.SPI Flash/eMMC
- 16.MicroSD Card
- 17.TYPEC_USB3.0
- 18.HDMI2.0 TX
- 19.WIFI/BT-SDIO
- 20.CONNECTOR
- 21.Power_PMIC
- 22.Power_DC IN

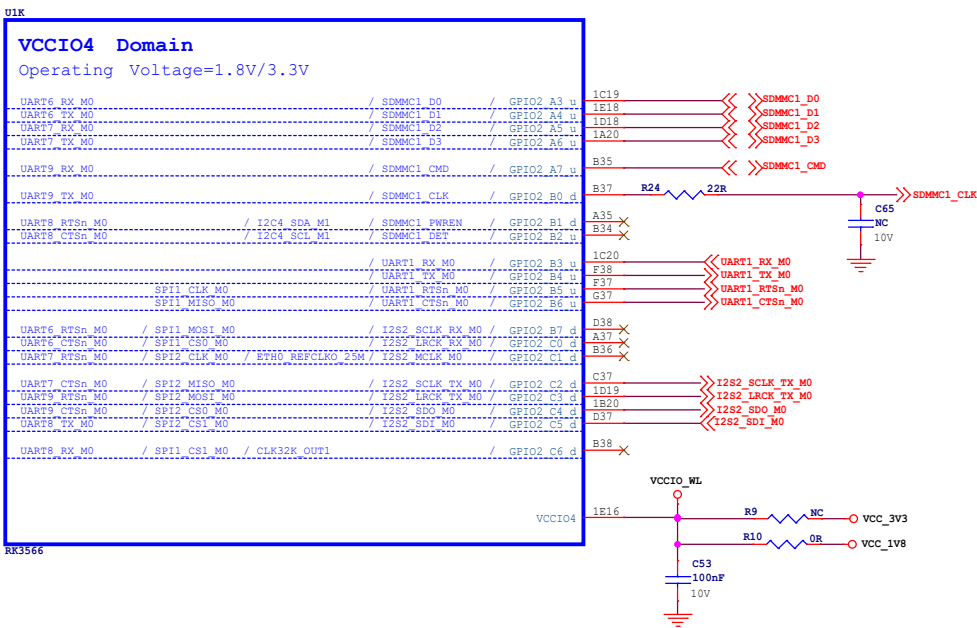


Size	Title: Zero 3W	REV
A4	Page Name: Index	V1.11
Date: Thursday, September 21, 2023	Sheet 02 of 22	

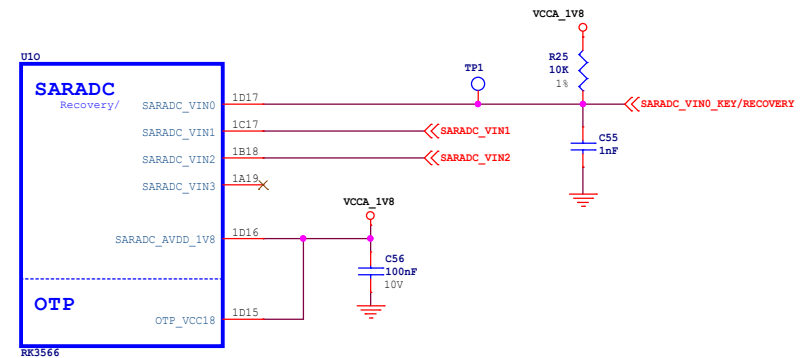
ROCK 3 Zero W Ref Block Diagram



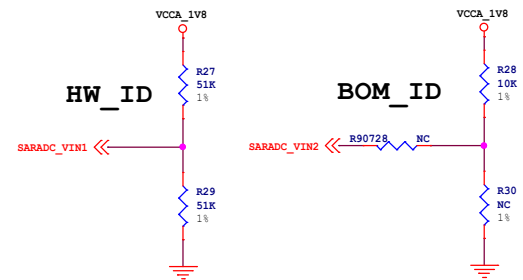
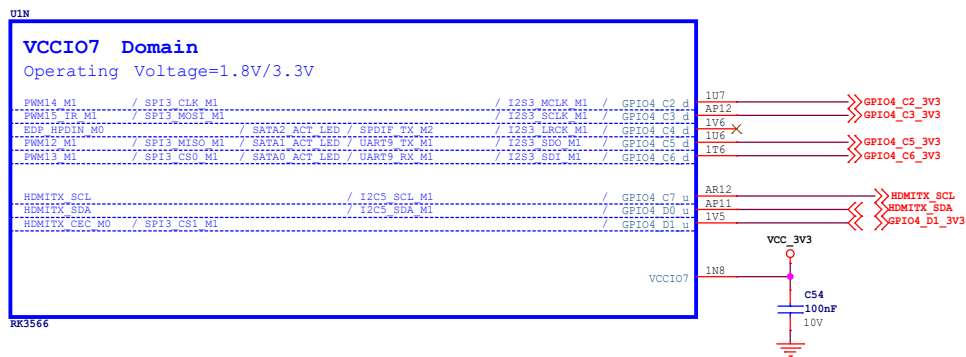
RK3566_K (VCCIO4 Domain)



RK3566_O (SARADC/OTP)



RK3566_N (VCCIO7 Domain)

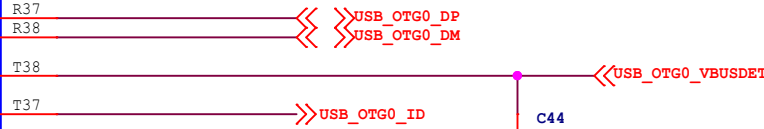


RK3566_U

U1U

USB2.0 OTG_0 HS/FS/LS (Download Port)

USB_OTG0_DP
USB_OTG0_DM
USB_OTG0_VBUSDET
USB_OTG0_ID



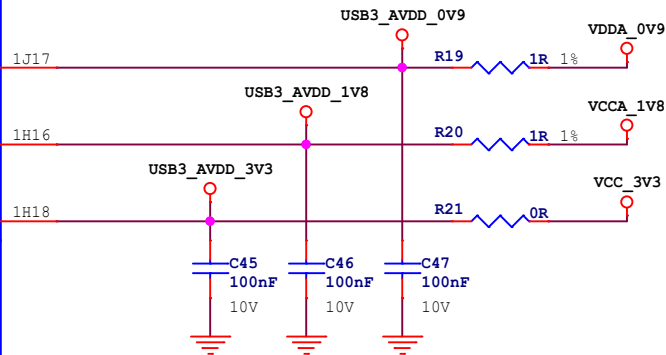
USB2.0 HOST_1 HS/FS/LS (DP/DM for USB3.0 HOST)

USB_HOST1_DP
USB_HOST1_DM



USB2.0 Power (for OTG_0 and HOST_1)

USB_AVDD1_0V9
USB_AVDD1_1V8
USB_AVDD1_3V3



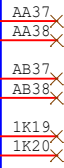
MULTI PHY U_S (SS for USB3.0 HOST or SATA3_1)

USB3_HOST1_SSTXp/SATA1_TXp
USB3_HOST1_SSTXn/SATA1_TXn
USB3_HOST1_SSRXp/SATA1_RXp
USB3_HOST1_SSRXn/SATA1_RXn



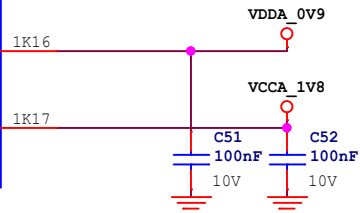
MULTI PHY P_S (PCIe2.0 or SATA3_2)

PCIe20_TXp/SATA2_TXp
PCIe20_TXn/SATA2_TXn
PCIe20_RXp/SATA2_RXp
PCIe20_RXn/SATA2_RXn
PCIe20_REFCLKp
PCIe20_REFCLKn



MULTI PHY Power (for MULTI PHY U_S and P_S)

MULTI_PHY_AVDD_0V9
MULTI_PHY_AVDD_1V8



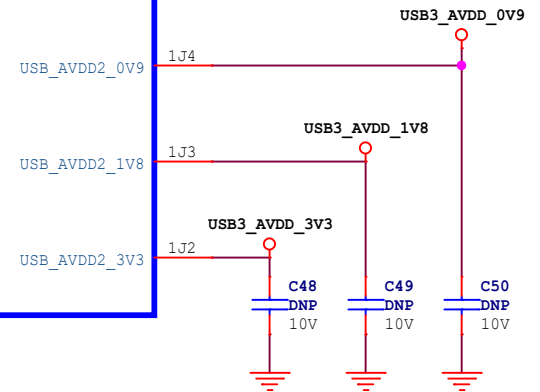
RK3566

RK3566_V

U1V

USB2.0 (for HOST_2 and HOST_3)

USB_HOST2_DP
USB_HOST2_DM
USB_HOST3_DP
USB_HOST3_DM

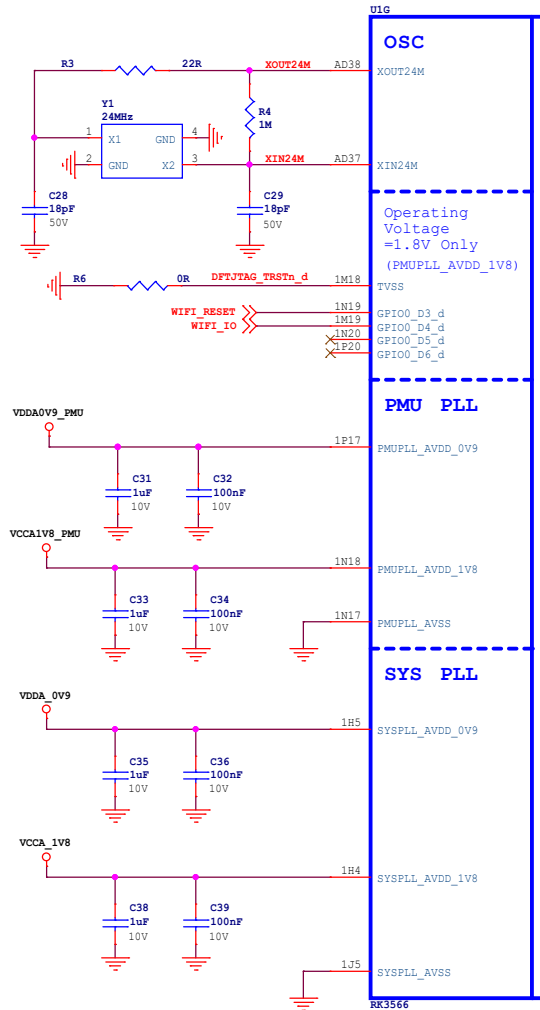


RK3566

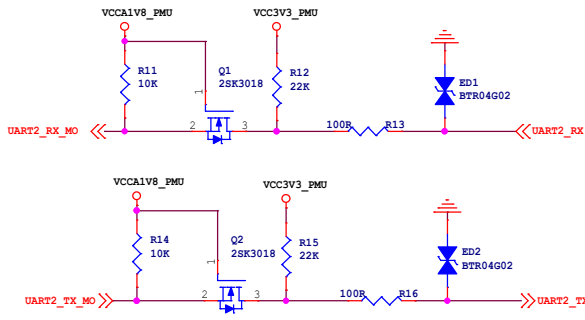
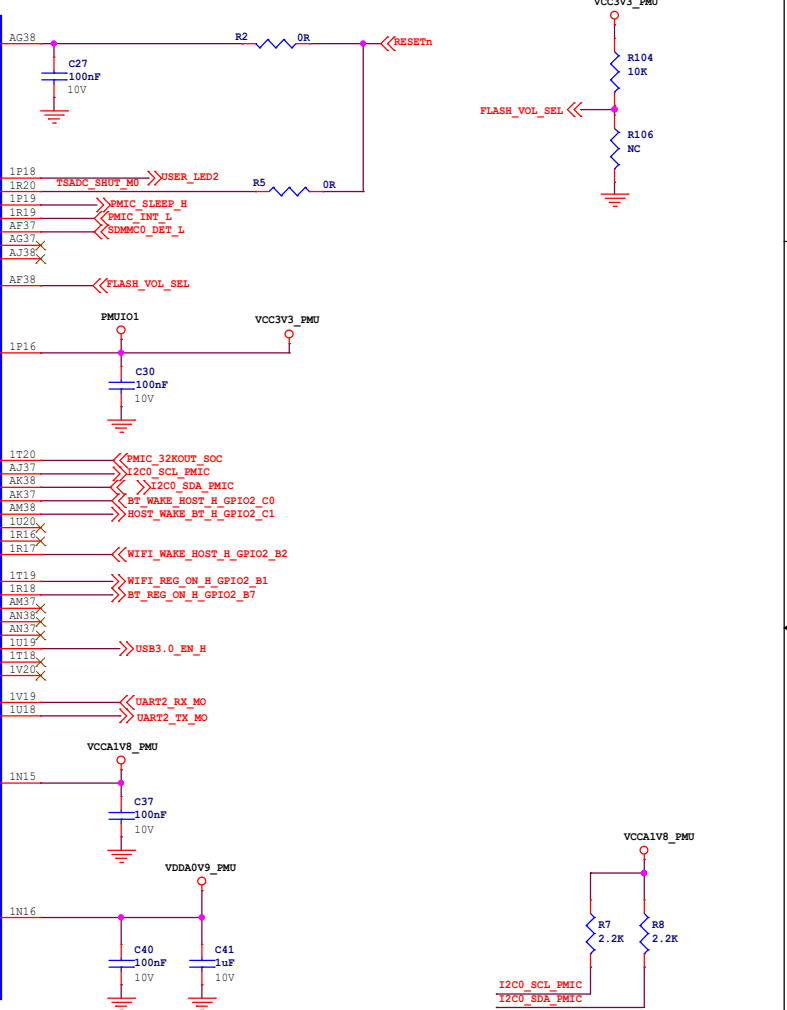


Size	Title: Zero 3W	REV
A4	Page Name: RK3566_USB/PCIe/SATA PHY	V1.11
Date: Thursday, September 21, 2023 Sheet 05 of 22		

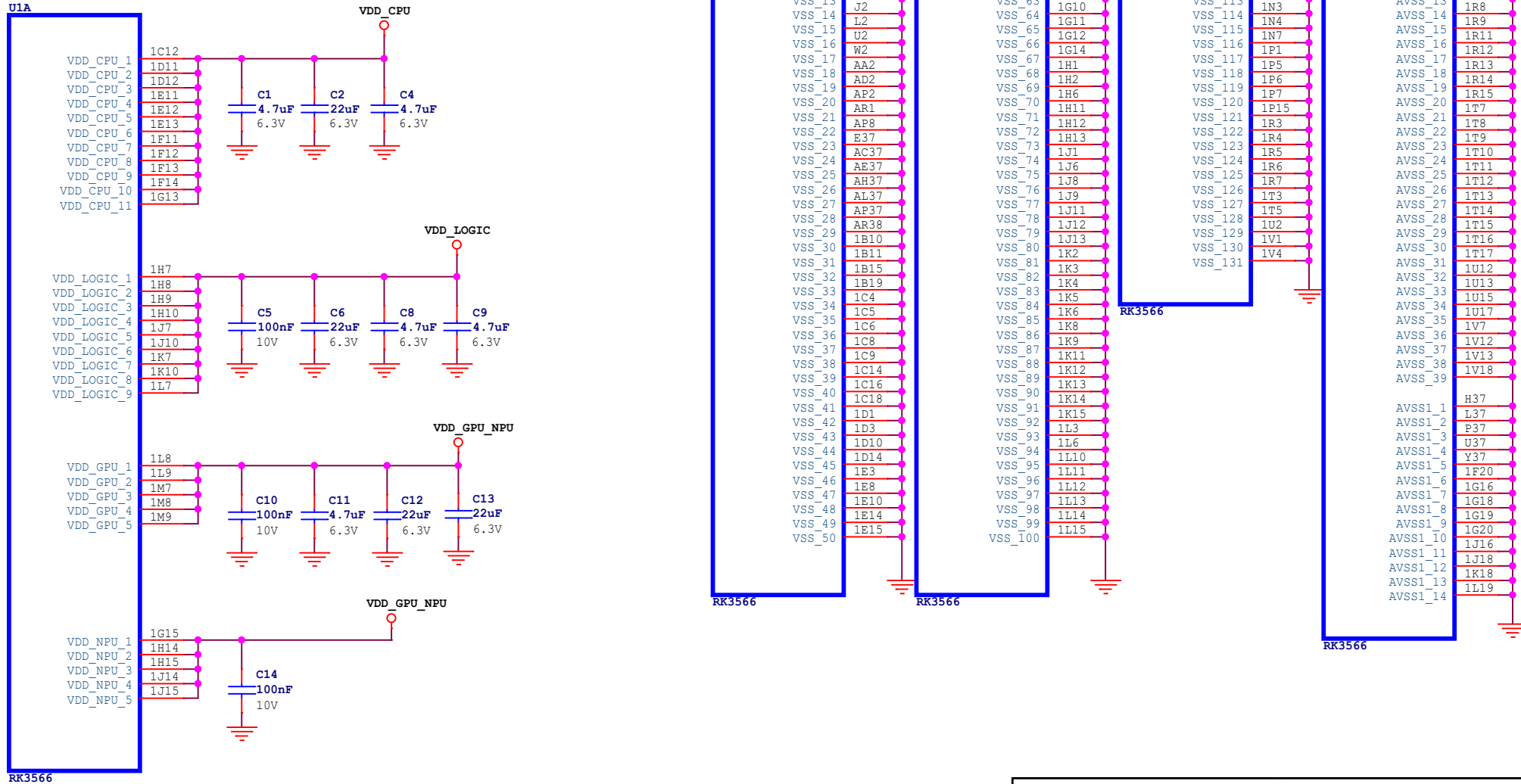
RK3566 (OSC/PLL/PMUIO1/2)



PMUIO1 Domain	
Operating Voltage=3.3V Only	
REFCLK_OUT	GPIO0 A0 H
TSADC_SHUT_WD	GPIO0 A1 H
PMIC_SLEEP	GPIO0 A2 H
TSADC_SHUT_WI	GPIO0 A3 H
SIMMCO_DET	GPIO0 A4 H
SIMMCO_PWREN	GPIO0 A5 H
GPU_PWREN	GPIO0 A6 H
FLASH_VOL_SEL	GPIO0 A7 H
CLK32K_IN	GPIO0 B0 H
I2C0_SCL	GPIO0 B1 H
I2C0_SDA	GPIO0 B2 H
I2C1_SCL	GPIO0 B3 H
I2C1_SDA	GPIO0 B4 H
I2C0_SCL_M0	GPIO0 B5 H
I2C0_SDA_M0	GPIO0 B6 H
I2C1_SCL_M0	GPIO0 B7 H
I2C1_SDA_M0	GPIO0 B7 H
PWM1_M0	GPIO0 C0 H
PWM2_M0	GPIO0 C1 H
PWM3_IR	GPIO0 C2 H
PWM4	GPIO0 C3 H
PWM5	GPIO0 C4 H
PWM6	GPIO0 C5 H
PWM7_IR	GPIO0 C6 H
PWM0_M1	GPIO0 C7 H
UART2_RX_M0	GPIO0 D0 H
UART2_TX_M0	GPIO0 D1 H

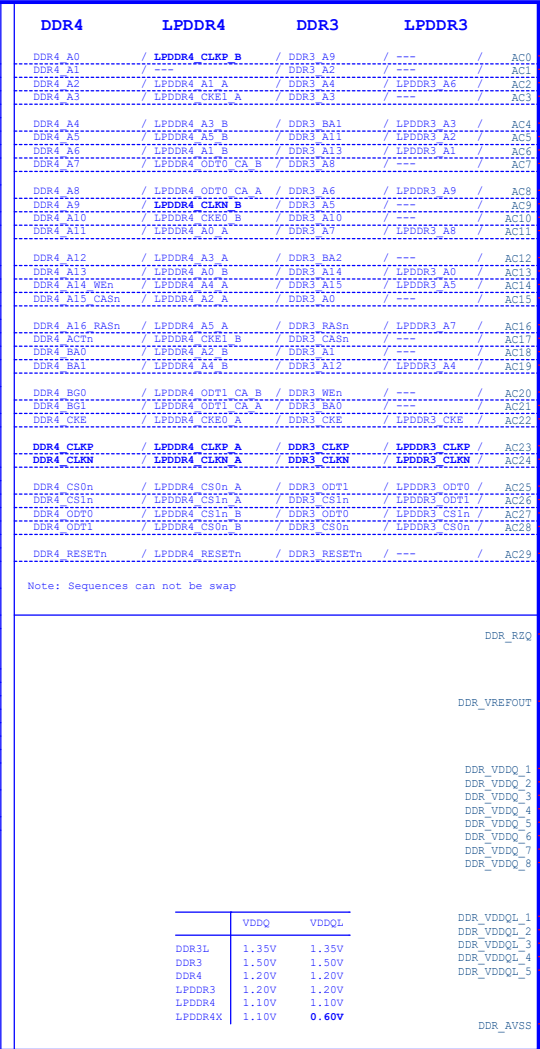
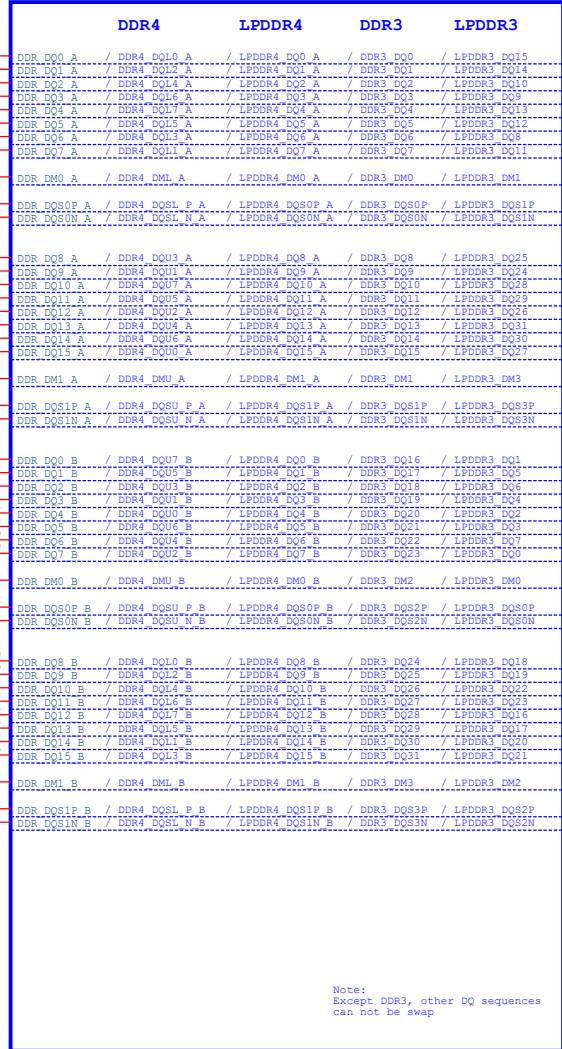
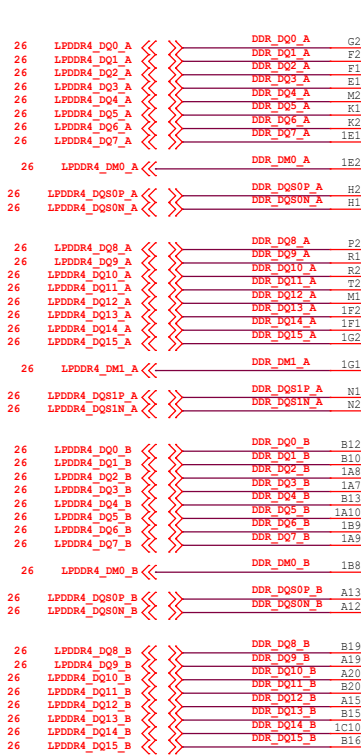


RK3566_ABCDE (Power&GND)



RK3566_F (DDR PHY)

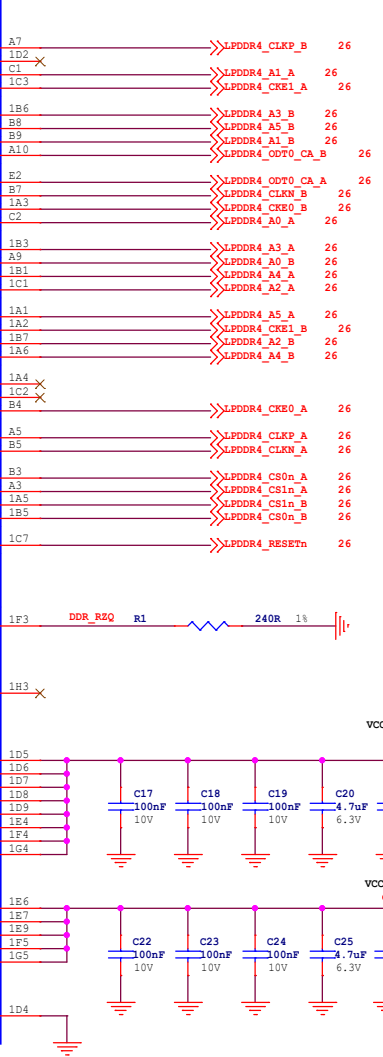
UIF



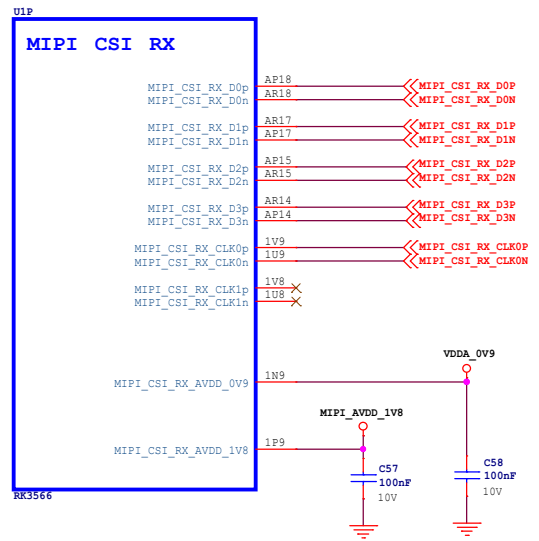
Note: Sequences can not be swap

Note:
Except DDR3, other DQ sequences
can not be swap

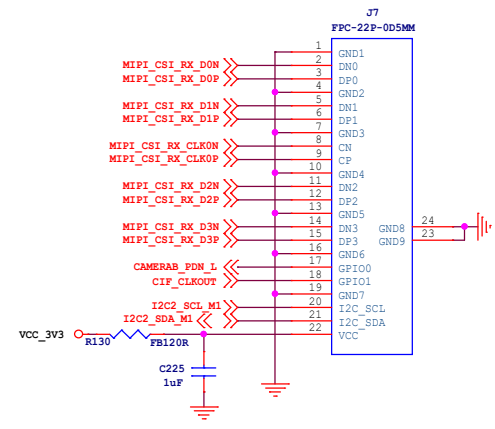
	VDDQ	VDDQL
DDR3L	1.35V	1.35V
DDR3	1.50V	1.50V
DDR4	1.20V	1.20V
LPDDR3	1.20V	1.20V
LPDDR4	1.10V	1.10V
LPDDR4X	1.10V	0.60V



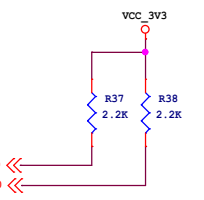
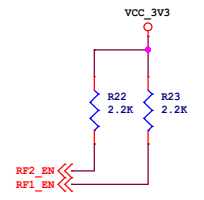
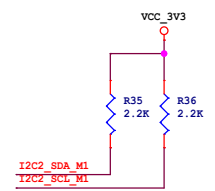
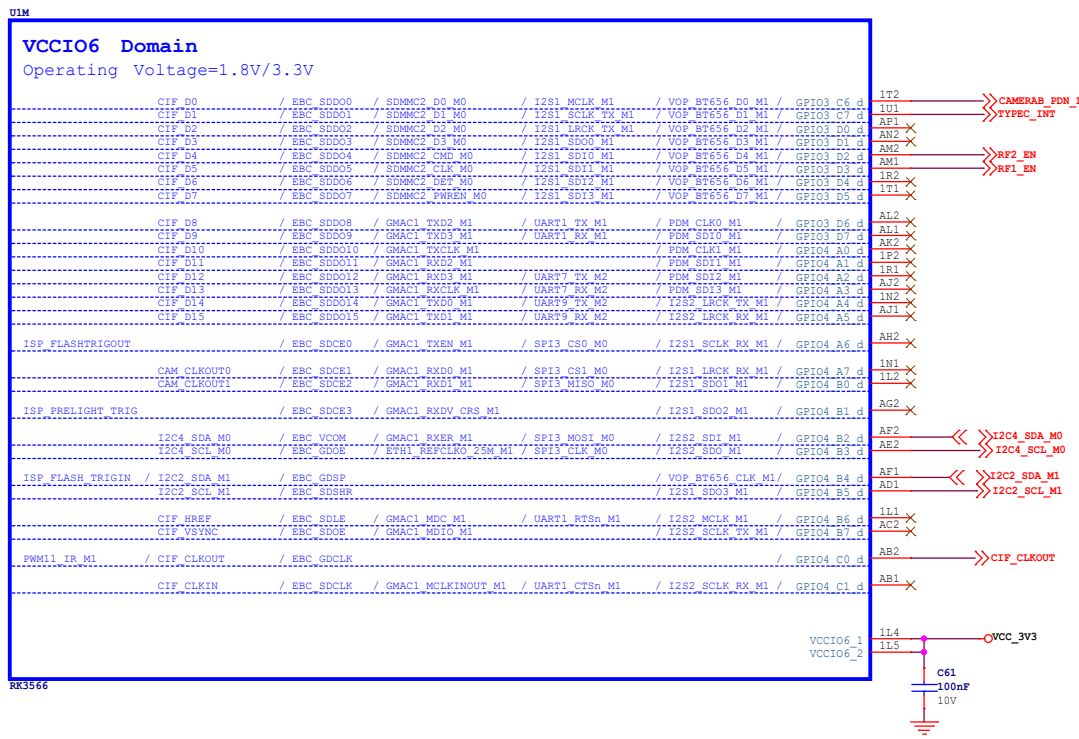
RK3566_P (MIPI_CSI_RX)



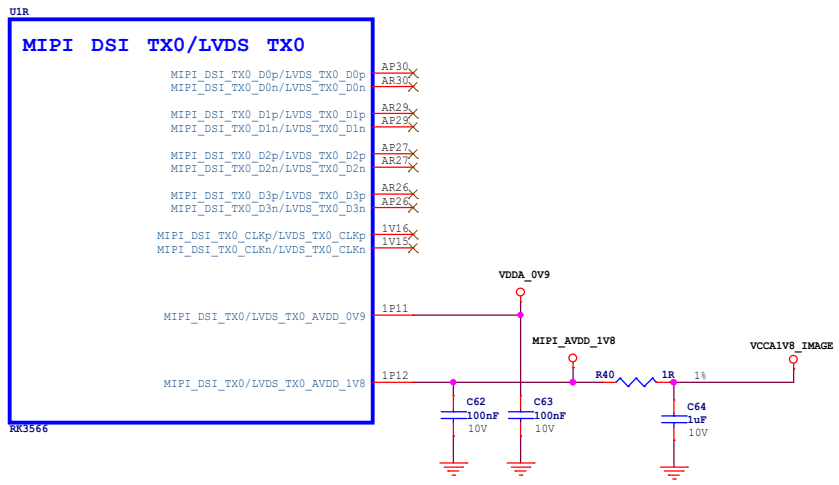
MIPI_CSI_RX 4Lanes



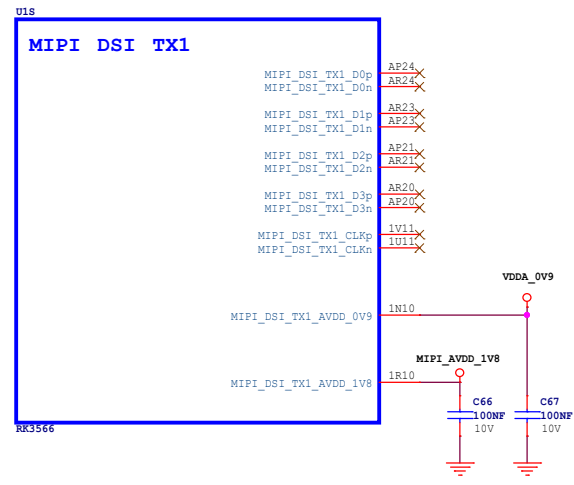
RK3566_M (VCCIO6 Domain)



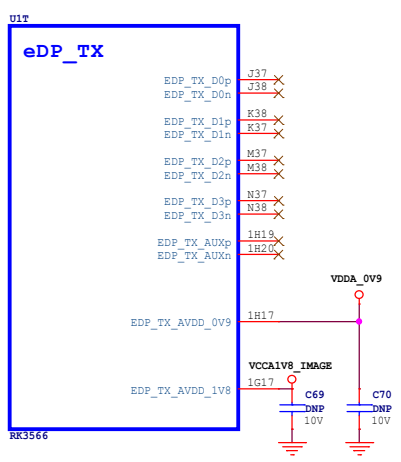
RK3566_R (MIPI_DSI_TX0/LVDS_TX0)



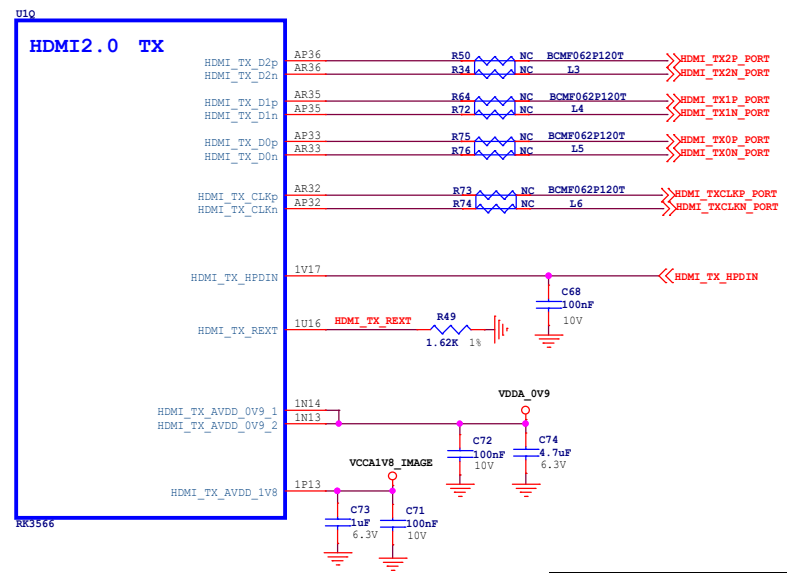
RK3566_S (MIPI_DSI_TX1/LVDS_TX1)



RK3566_T (eDP/DP TX)



RK3566_Q (HDMI2.0 TX)



RK3566_L (VCCIO5 Domain)

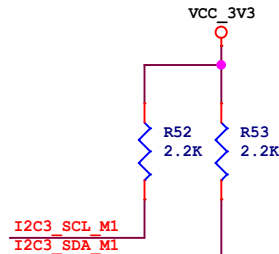
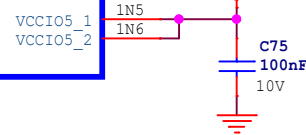
U1L

VCCIO5 Domain

Operating Voltage=1.8V/3.3V

VOP_BT1120_D0	/ SPI1_CS0 M1			/ SDMMC2_D0 M1	/ GPIO3_A1 d	1U5	>>	GPIO3_A1_3V3
VOP_BT1120_D1		/ GMAC1_TXD2 M0	/ I2S3_MCLK M0	/ SDMMC2_D1 M1	/ GPIO3_A2 d	AR10	>>	GPIO3_A2_3V3
VOP_BT1120_D2		/ GMAC1_TXD3 M0	/ I2S3_SCLK M0	/ SDMMC2_D2 M1	/ GPIO3_A3 d	AP10	>>	GPIO3_A3_3V3
VOP_BT1120_D3		/ GMAC1_RXD2 M0	/ I2S3_LRCK M0	/ SDMMC2_D3 M1	/ GPIO3_A4 d	AR9	>>	GPIO3_A4_3V3
VOP_BT1120_D4		/ GMAC1_RXD3 M0	/ I2S3_SDO M0	/ SDMMC2_CMD M1	/ GPIO3_A5 d	AP9	>>	GPIO3_A5_3V3
VOP_BT1120_CLK		/ GMAC1_TXCLK M0	/ I2S3_SBI M0	/ SDMMC2_CLK M1	/ GPIO3_A6 d	1U4	>>	GPIO3_A6_3V3
VOP_BT1120_D5		/ GMAC1_RXCLK M0		/ SDMMC2_DET M1	/ GPIO3_A7 d	1V3	>>	GPIO3_A7_3V3
VOP_BT1120_D6		/ ETH1_REFCLKO_25M M0		/ SDMMC2_PWREN M1	/ GPIO3_B0 d	AR7	>>	GPIO3_B0_3V3
PWM8_M0	/ VOP_BT1120_D7	/ GMAC1_RXD0 M0	/ UART4_RX M1		/ GPIO3_B1 d	AP7	>>	GPIO3_B1_3V3
PWM9_M0	/ VOP_BT1120_D8	/ GMAC1_RXD1 M0	/ UART4_TX M1		/ GPIO3_B2 d	AR6	>>	GPIO3_B2_3V3
VOP_BT1120_D9	/ I2C5_SCL M0	/ GMAC1_RXDV CRS M0		/ PDM_SDI0 M2	/ GPIO3_B3 d	AP6	>>	GPIO3_B3_3V3
VOP_BT1120_D10	/ I2C5_SDA M0	/ GMAC1_RXER M0		/ PDM_SDI1 M2	/ GPIO3_B4 d	1U3	>>	GPIO3_B4_3V3
PWM10_M0	/ VOP_BT1120_D11	/ I2C3_SCL M1	/ GMAC1_TXD0 M0		/ GPIO3_B5 d	1T4	>>	I2C3_SCL_M1
PWM11_IR M0	/ VOP_BT1120_D12	/ I2C3_SDA M1	/ GMAC1_TXD1 M0		/ GPIO3_B6 d	1V2	<<	I2C3_SDA_M1
PWM12_M0		/ GMAC1_TXEN M0	/ UART3_TX M1	/ PDM_SDI2 M2	/ GPIO3_B7 d	AP5	<<	GMAC1_INT/FMEB_GPIO3_B7
PWM13_M0		/ GMAC1_MCLKINOUT M0	/ UART3_RX M1	/ PDM_SDI3 M2	/ GPIO3_C0 d	AR4	>>	GMAC1_RSTn_GPIO3_C0
VOP_BT1120_D13	/ SPI1_MOSI M1		/ PCIE20_PERSn M1	/ I2S1_SDO2 M2	/ GPIO3_C1 d	AP4	>>	GPIO3_C1_3V3
VOP_BT1120_D14	/ SPI1_MISO M1		/ UART5_TX M1	/ I2S1_SDO3 M2	/ GPIO3_C2 d	AP3	>>	GPIO3_C2_3V3
VOP_BT1120_D15	/ SPI1_CLK M1		/ UART5_RX M1	/ I2S1_SCLK_RX M2	/ GPIO3_C3 d	AR2	>>	GPIO3_C3_3V3
PWM14_M0	/ VOP_PWM M1	/ GMAC1_MDC M0	/ UART7_TX M1	/ PDM_CLK1 M2	/ GPIO3_C4 d	1P3	>>	GPIO3_C4_3V3
PWM15_IR M0	/ SPDIF_TX M1	/ GMAC1_MDIO M0	/ UART7_RX M1	/ I2S1_LRCK_RX M2	/ GPIO3_C5 d	1P4	×	

RK3566

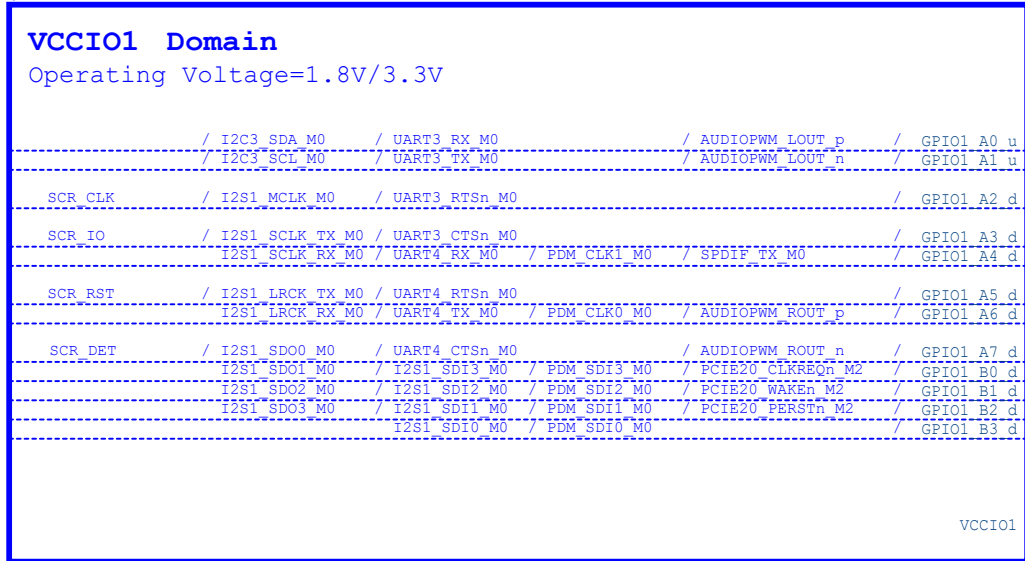


radxa

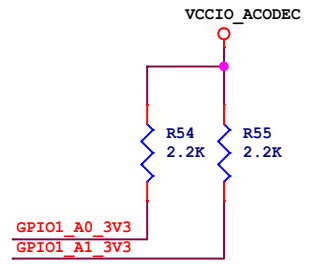
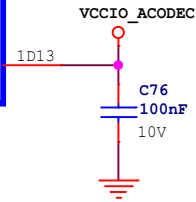
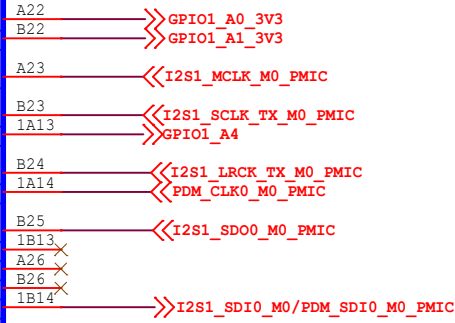
Size	Title: Zero 3W	REV
A4	Page Name: RK3566_VO Interface_2	V1.11
Date: Thursday, September 21, 2023 Sheet 11 of 22		

RK3566_H (VCCIO1 Domain)

U1H

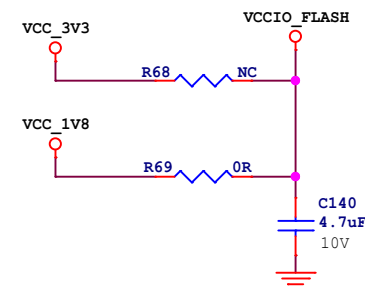
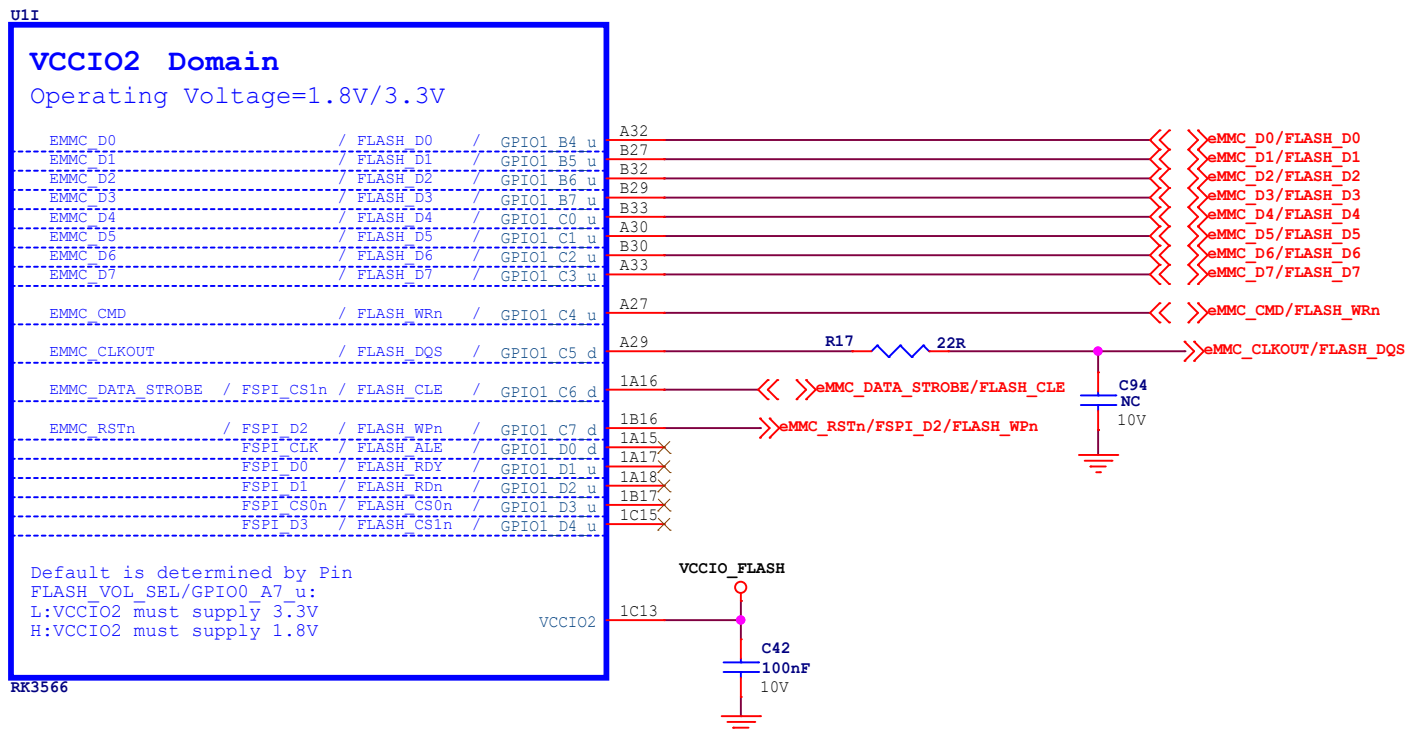


RK3566

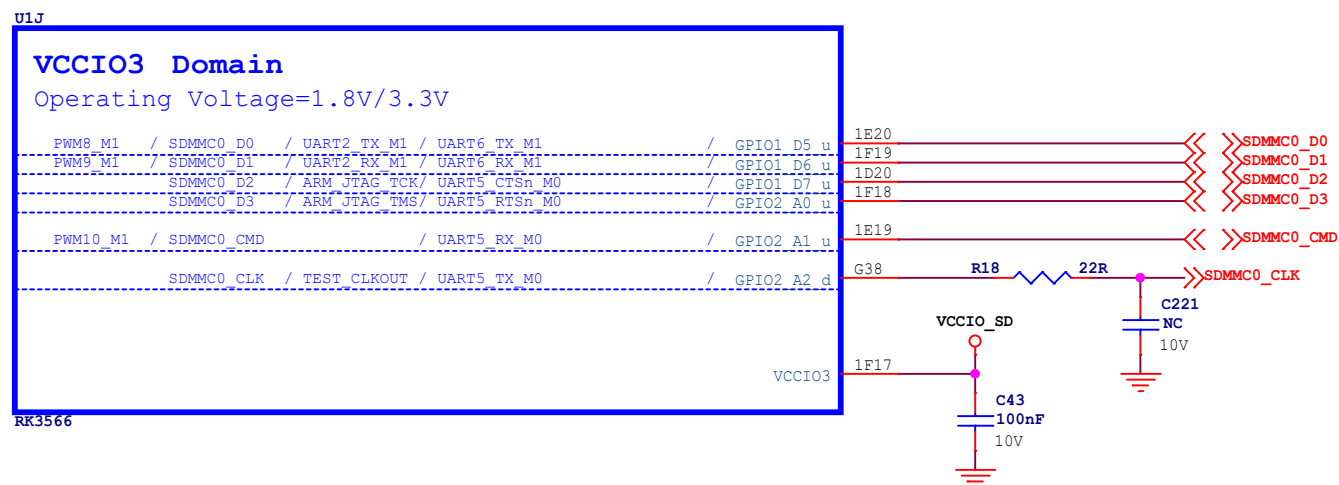


Size	Title: Zero 3W	REV
A4	Page Name: RK3566_Audio Interface	V1.11
Date: Thursday, September 21, 2023	Sheet 12 of 22	

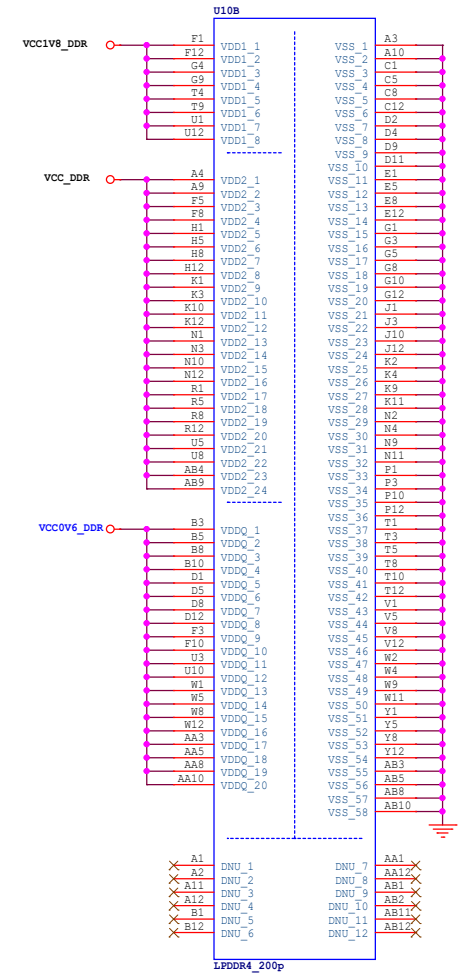
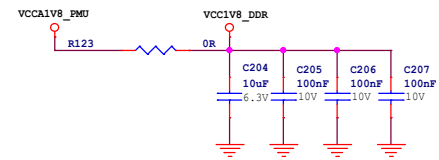
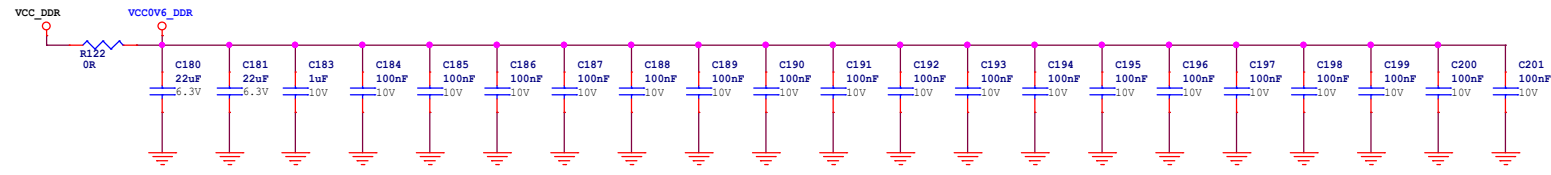
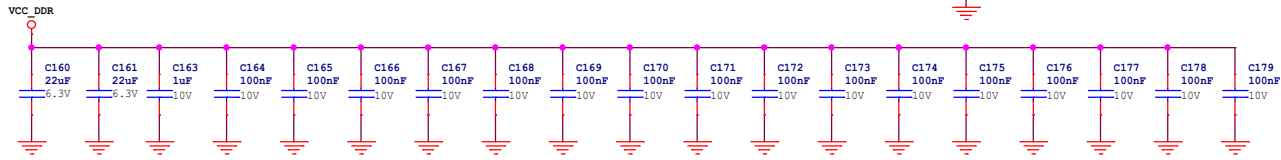
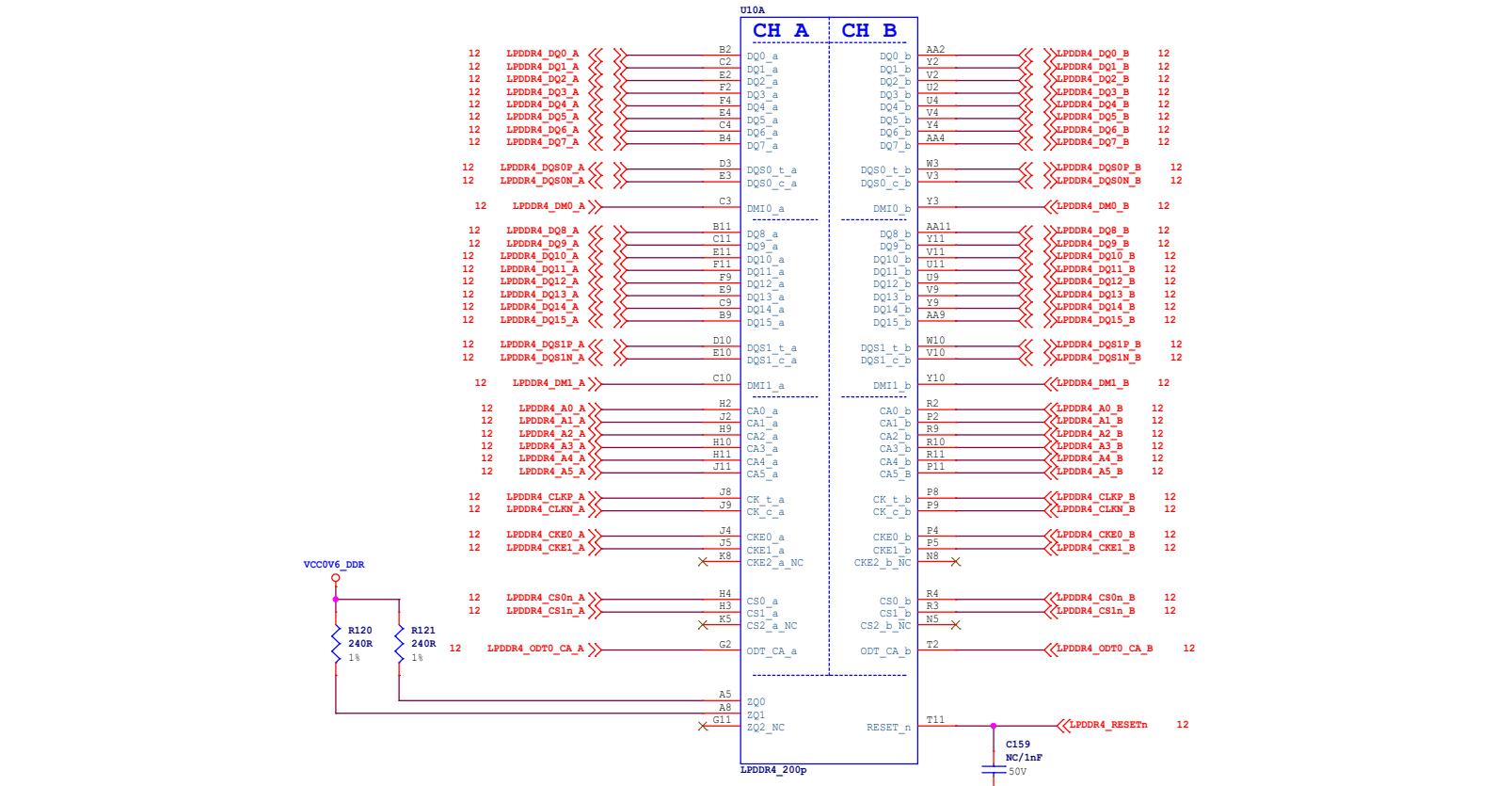
RK3566_I (VCCIO2 Domain)



RK3566_J (VCCIO3 Domain)



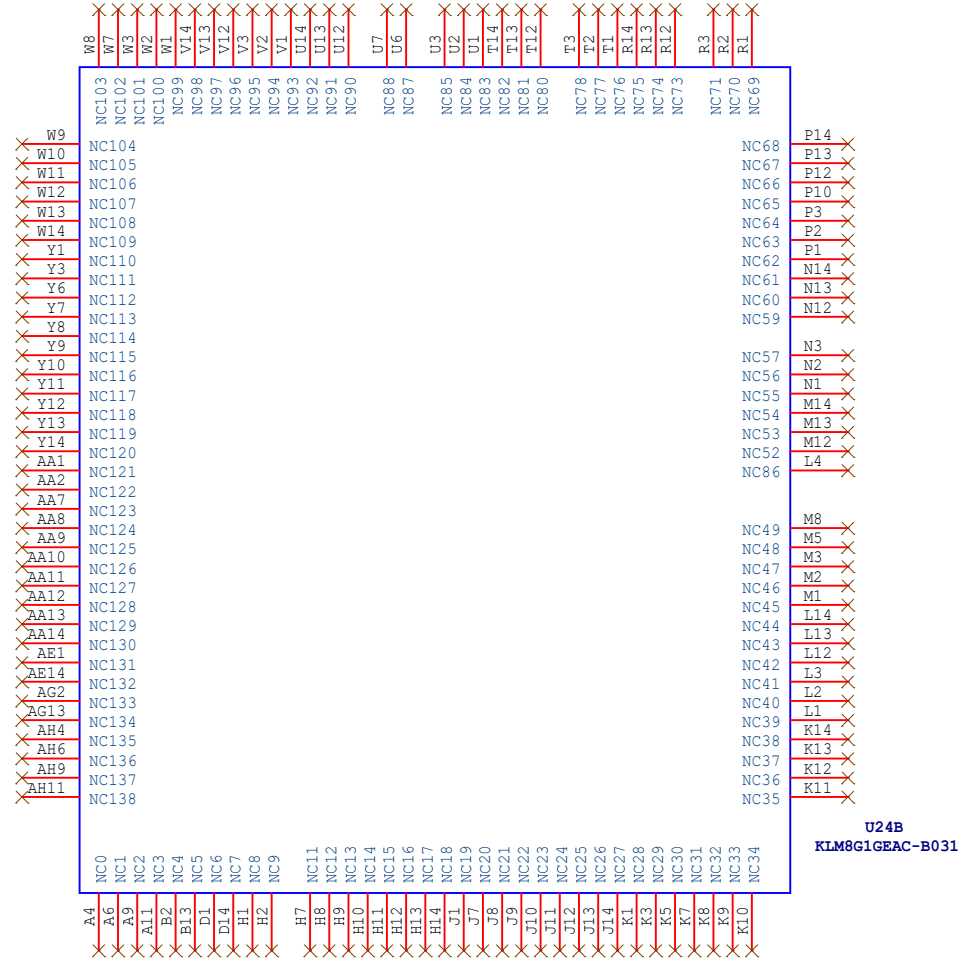
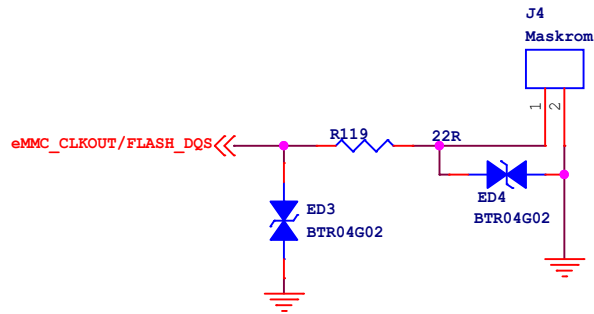
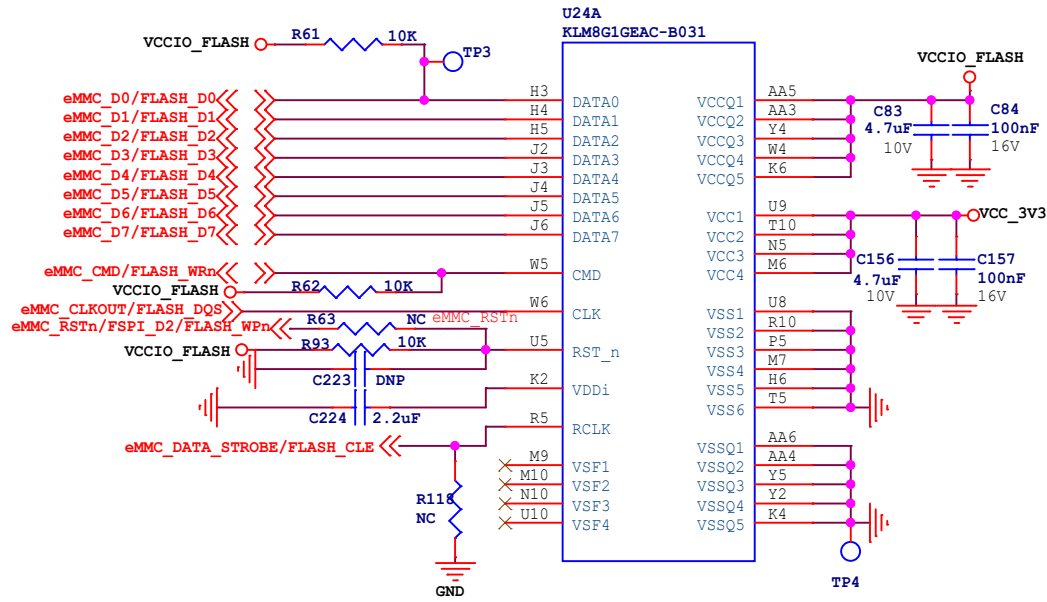
Size	Title: Zero 3W	REV
A4	Page Name: RK3566_Flash/SD	V1.11
Date: Thursday, September 21, 2023 Sheet 13 of 22		



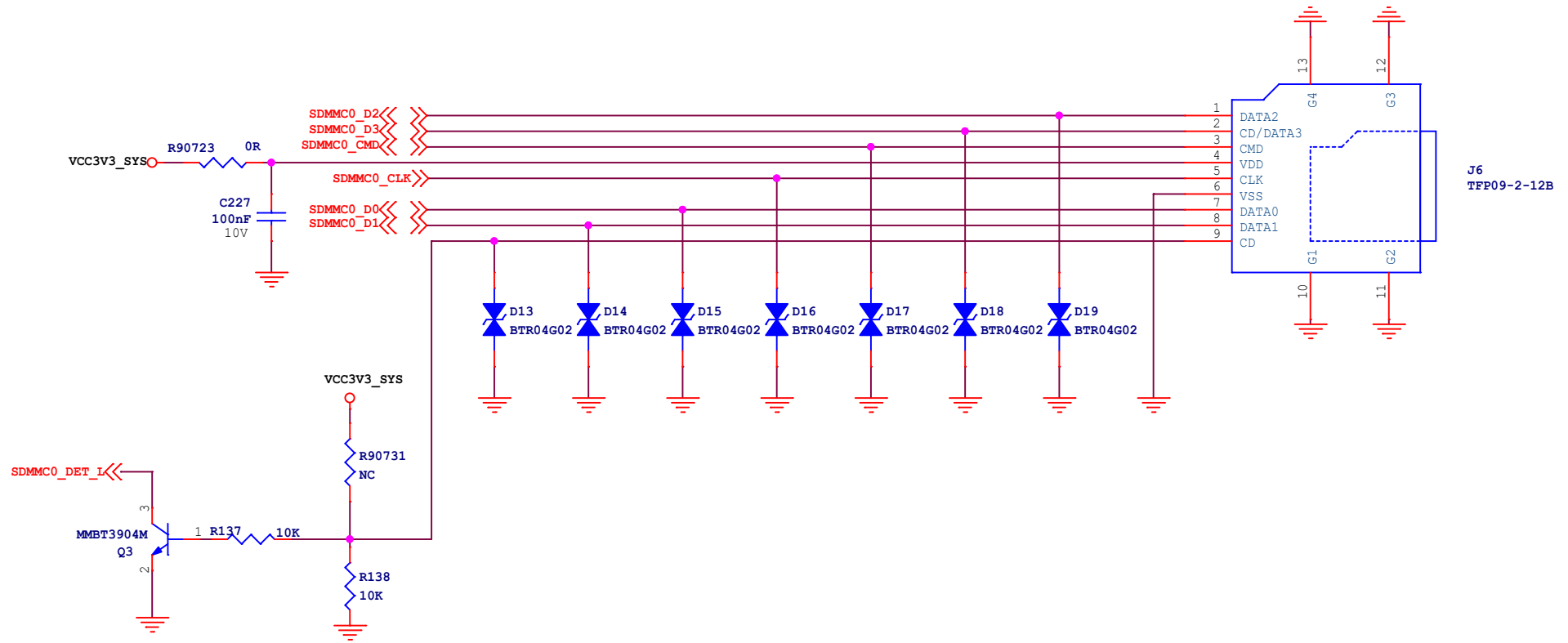
radxa

Size	Title: Zero 3W	REV
A3	Page Name: LPDDR4X_1X32bit	V1.11
Date: Thursday, September 21, 2023		
Sheet		14 of 22

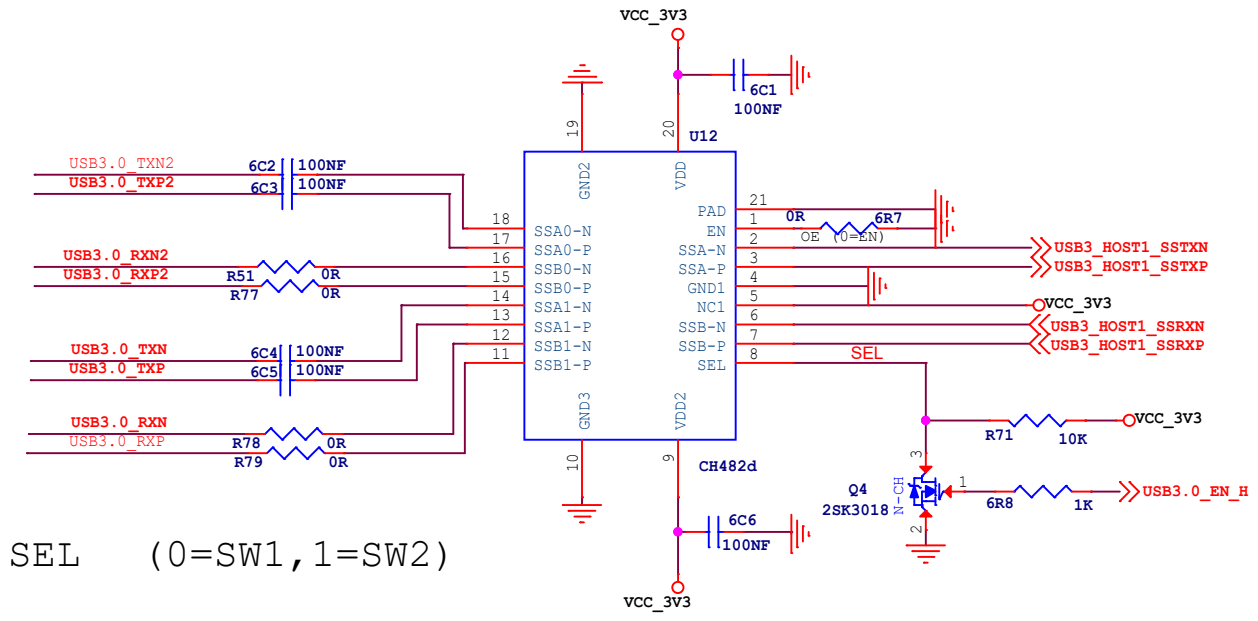
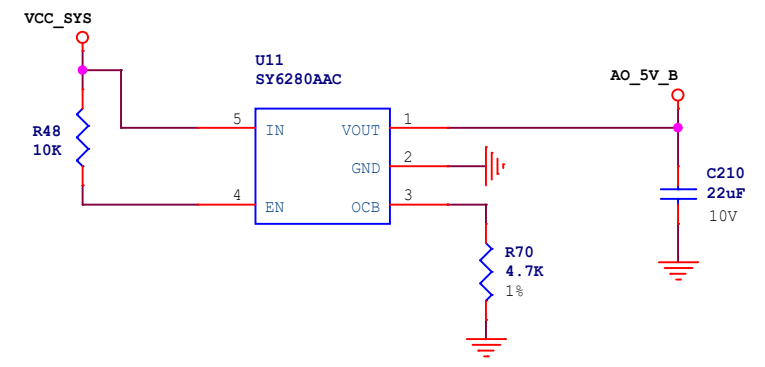
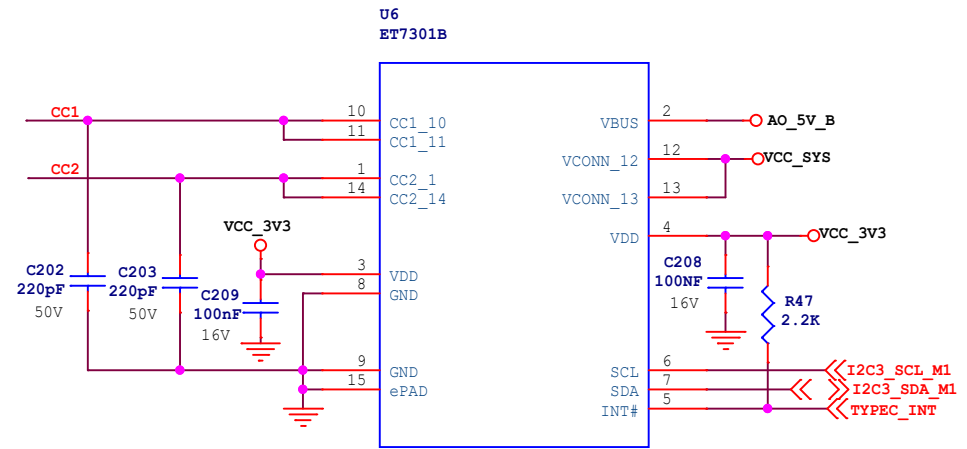
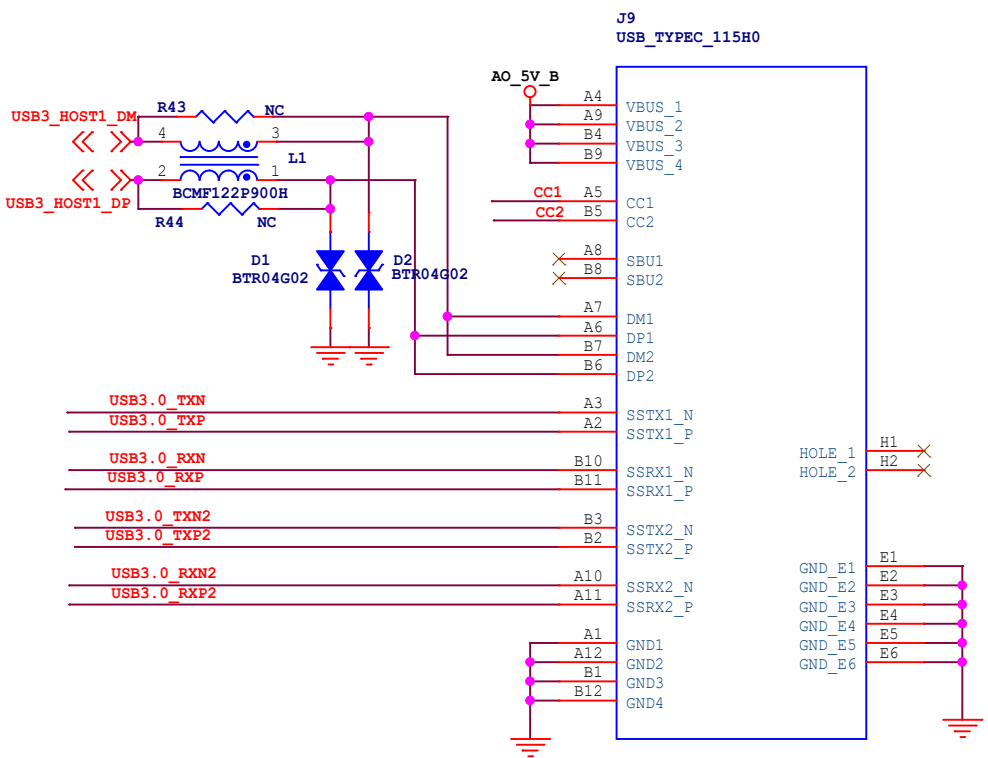
EMMC FLASH




MicroSD Card



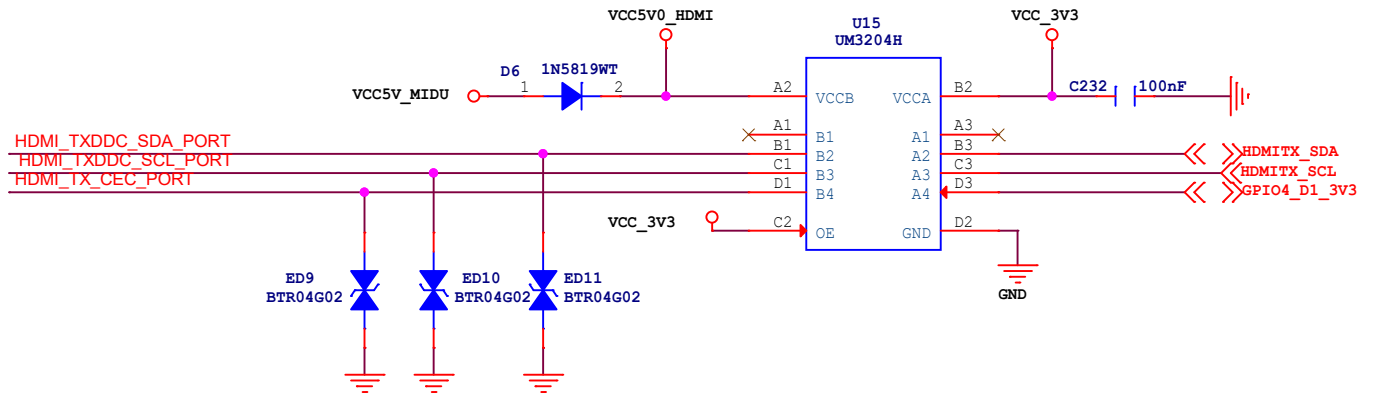
Size	Title: Zero 3W	REV
A4	Page Name: MicroSD Card	V1.11
Date: Thursday, September 21, 2023 Sheet 16 of 22		



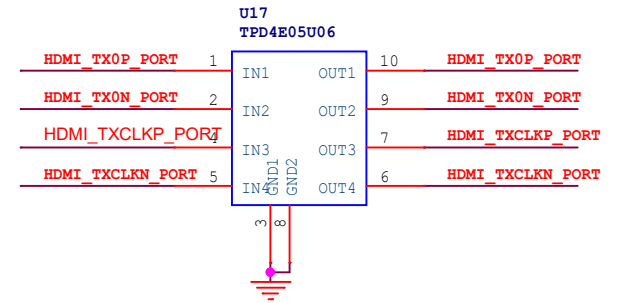
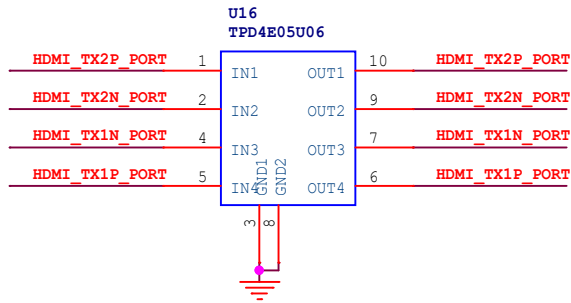
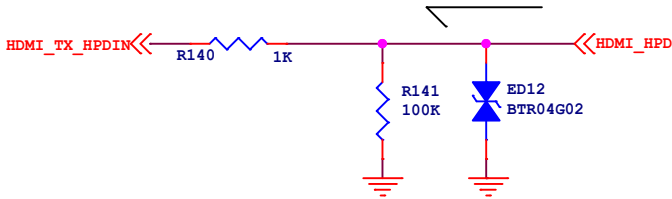
SEL (0=SW1, 1=SW2)



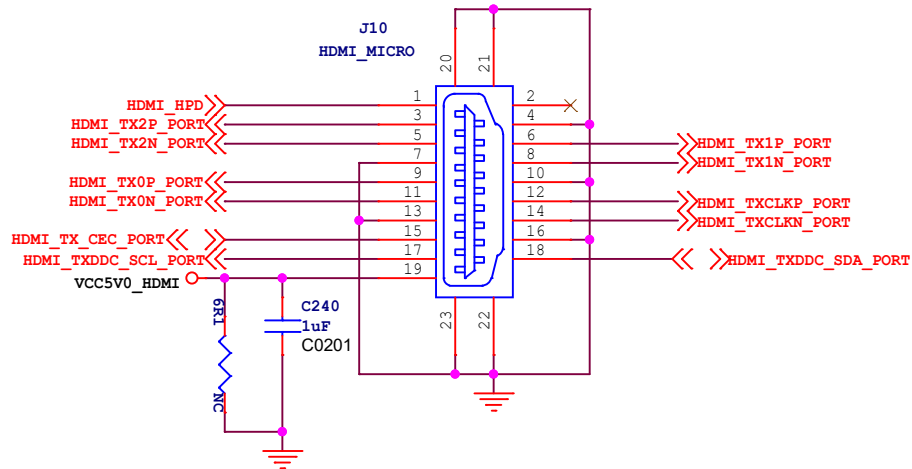
Size	Title: Zero 3W	REV
A4	Page Name: USB Port	V1.11
Date: Thursday, September 21, 2023	Sheet 17 of 22	



HDMI TX HPD

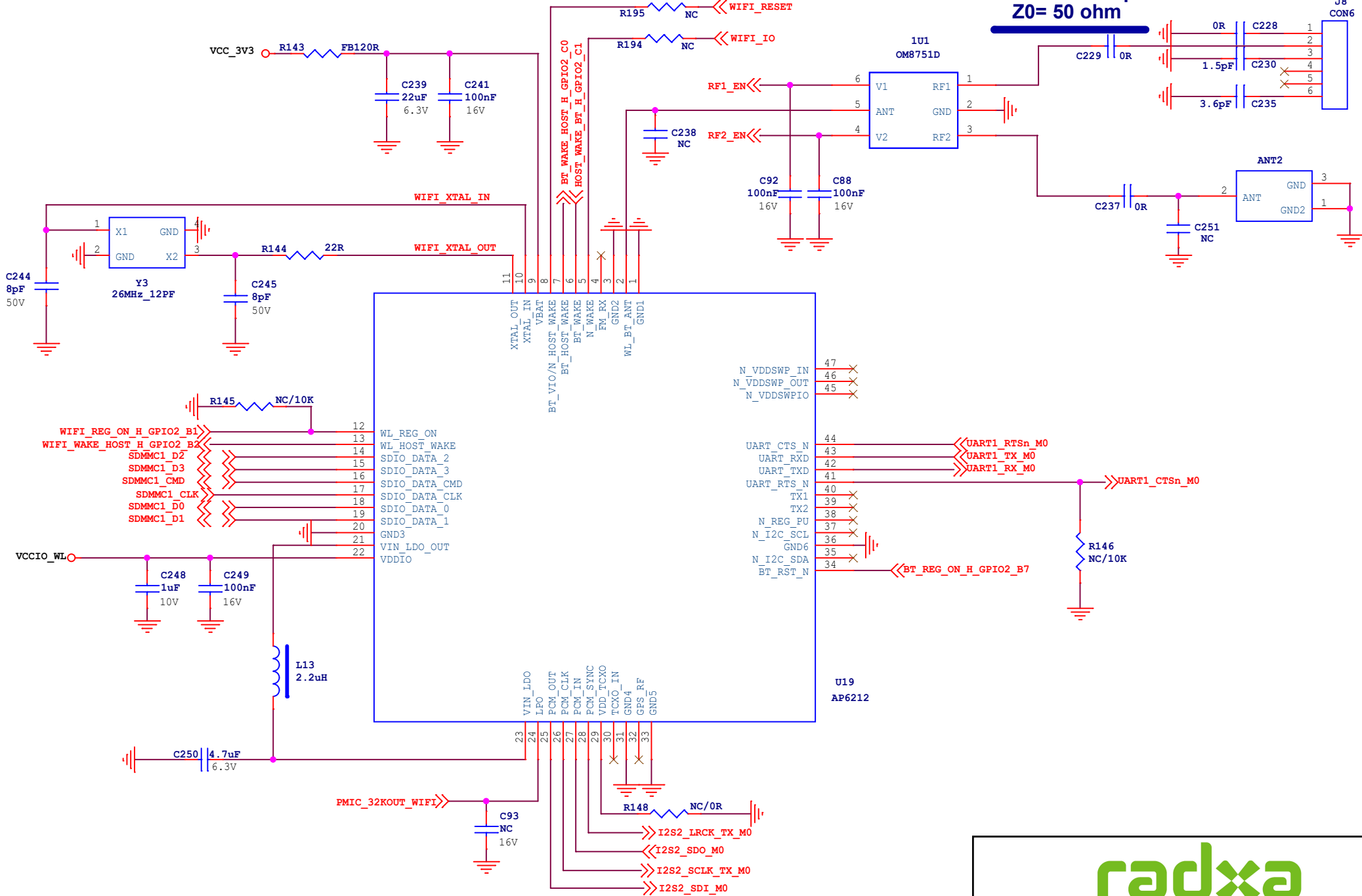


MICRO HDMI output

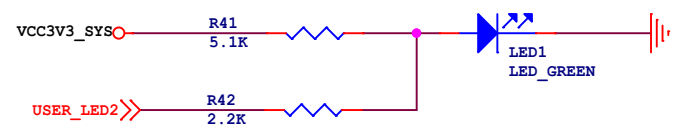
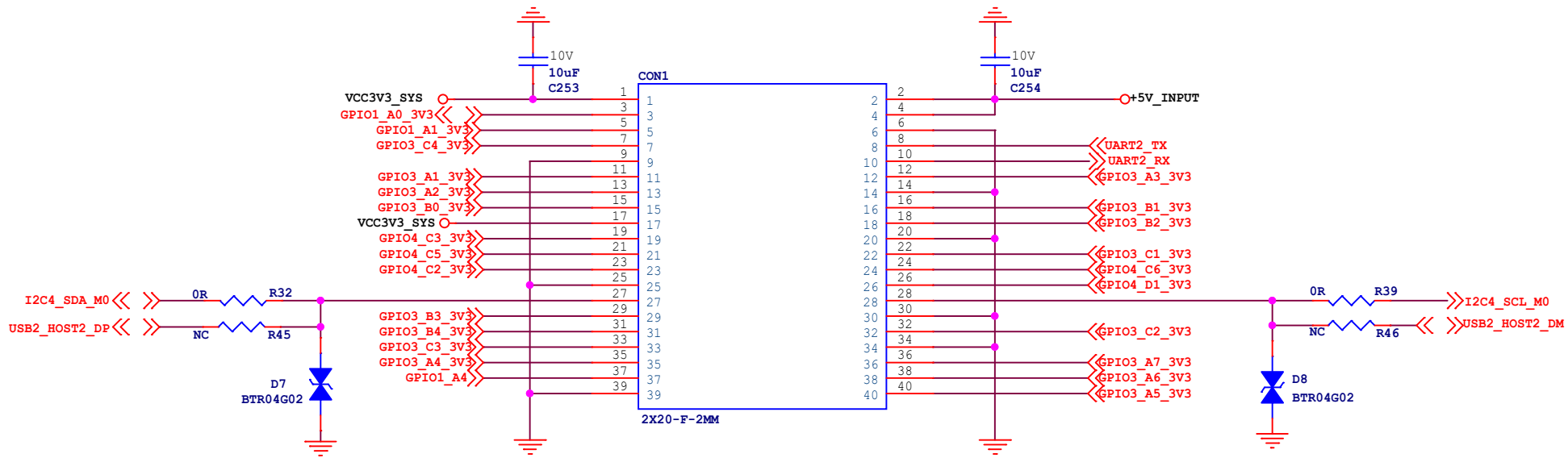



Size	Title: Zero 3W	REV
A4	Page Name: HDMI2.0 TX	V1.11
Date: Thursday, September 21, 2023	Sheet 18	of 22

SDIO WIFI/BT



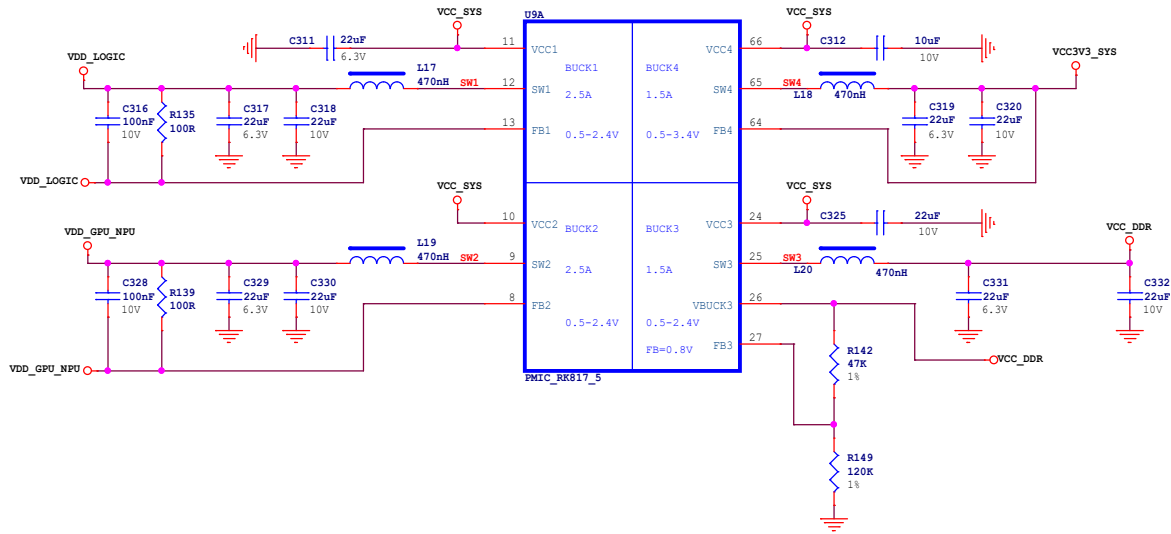
Size	Title: Zero 3W	REV
A4	Page Name: WIFI/BT-SDIO	V1.11
Date: Thursday, September 21, 2023	Sheet 19 of 22	



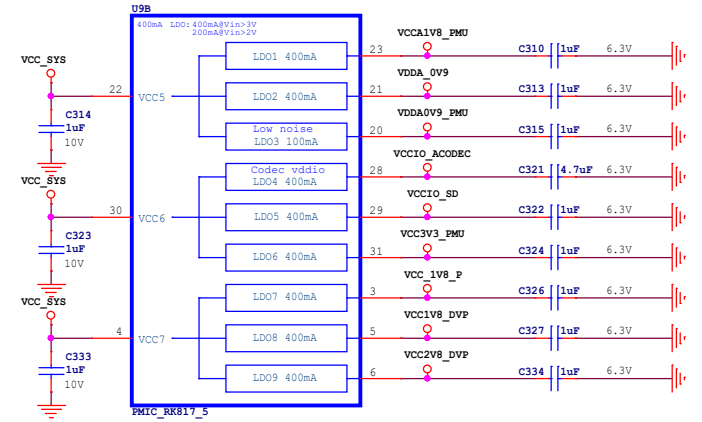


Size	Title: Zero 3W	REV
A4	Page Name: CONNECTOR	V1.11
Date: Thursday, September 21, 2023 Sheet 20 of 22		

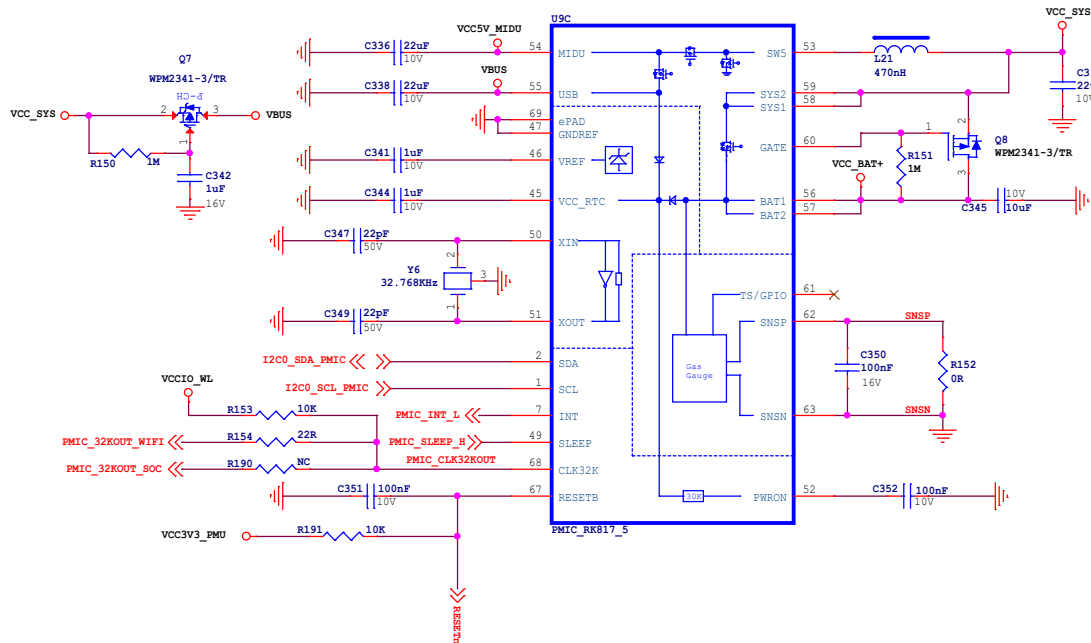
PMIC RK817 DCDC



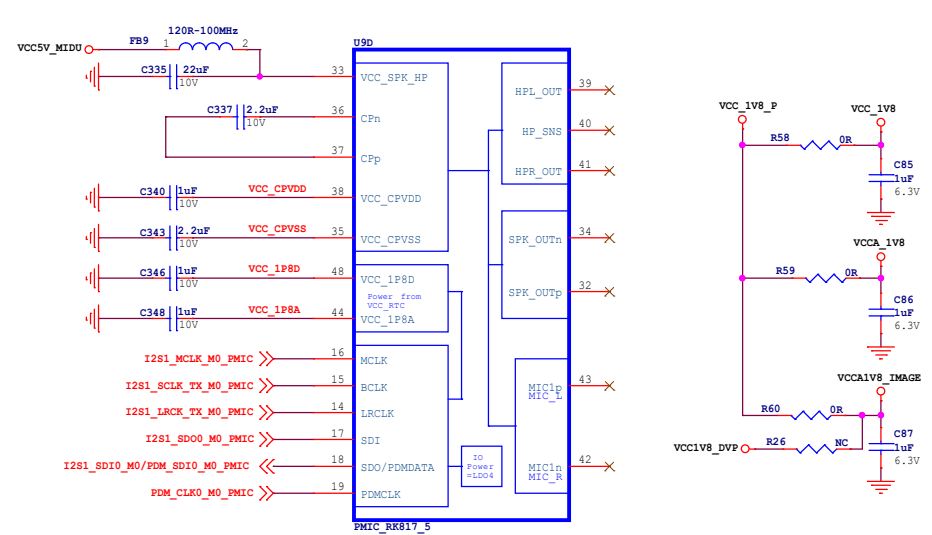
PMIC RK817 LDO



PMIC RK817 Manager

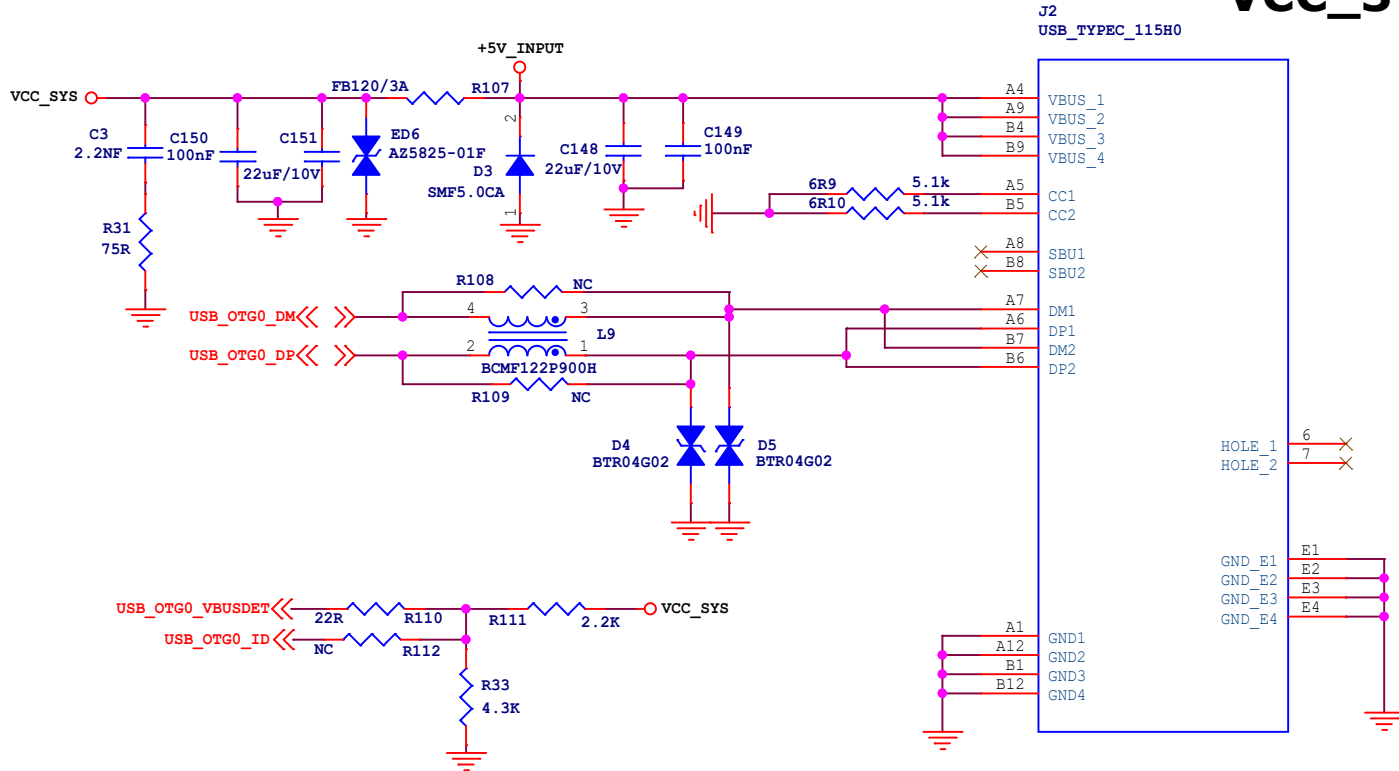


PMIC RK817 CODEC

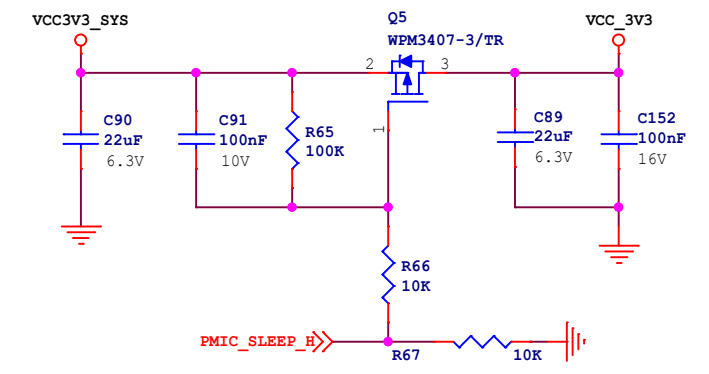


radxa

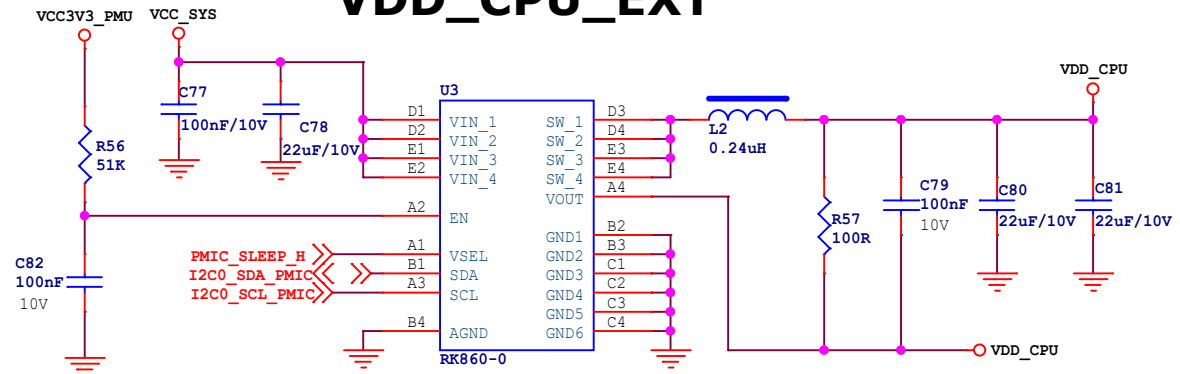
DC 5V IN



VCC_3V3 (Power OFF under SLEEP)



VDD_CPU_EXT



Size	Title: Zero 3W	REV
A4	Page Name: Power_DC IN	V1.11
Date: Thursday, September 21, 2023	Sheet 22	of 22